



US00D834931S

(12) **United States Design Patent** (10) **Patent No.:** **US D834,931 S**  
**Ressler** (45) **Date of Patent:** **\*\* Dec. 4, 2018**

- (54) **COVER FASTENER**
- (71) Applicant: **Dutch Clips LLC**, Reinholds, PA (US)
- (72) Inventor: **Thomas Ressler**, Reinholds, PA (US)
- (73) Assignee: **Dutch Clips LLC**, Reinholds, PA (US)
- (\*\*) Term: **15 Years**
- (21) Appl. No.: **29/639,750**
- (22) Filed: **Mar. 8, 2018**

- 4,222,157 A \* 9/1980 Forman ..... F16G 11/103  
24/129 A
- 4,831,692 A 5/1989 Chuan
- 4,911,394 A 3/1990 Ericson
- D336,023 S 6/1993 Alpers
- 5,293,673 A 3/1994 Murai
- D391,146 S 2/1998 Cutler
- D403,232 S 12/1998 Fischer
- D403,394 S 12/1998 Erlandson et al.
- D458,533 S 6/2002 Sonju
- D534,905 S \* 1/2007 Sergi ..... D14/238

(Continued)

*Primary Examiner* — Sandra S Snapp  
*Assistant Examiner* — Ieisha N Price  
(74) *Attorney, Agent, or Firm* — Barley Snyder

**Related U.S. Application Data**

- (62) Division of application No. 29/522,656, filed on Apr. 1, 2015, now Pat. No. Des. 814,276.
- (51) **LOC (11) Cl.** ..... **08-08**
- (52) **U.S. Cl.**  
USPC ..... **D8/382**; D8/367
- (58) **Field of Classification Search**  
USPC ..... D8/14, 16, 19, 44, 71, 107, 349, 354,  
D8/356, 373, 367, 371, 382, 383, 394,  
D8/499  
CPC ..... F16B 45/00; B60J 7/104; A44B 13/00;  
A44B 13/0017; A44B 13/0023; A44B  
13/0029; Y10T 24/3484; Y10T 24/2175;  
Y10T 24/39; Y10T 24/3913; Y10T  
24/3991; Y10T 24/3987  
See application file for complete search history.

(57) **CLAIM**

The ornamental design for a cover fastener, as shown and described.

**DESCRIPTION**

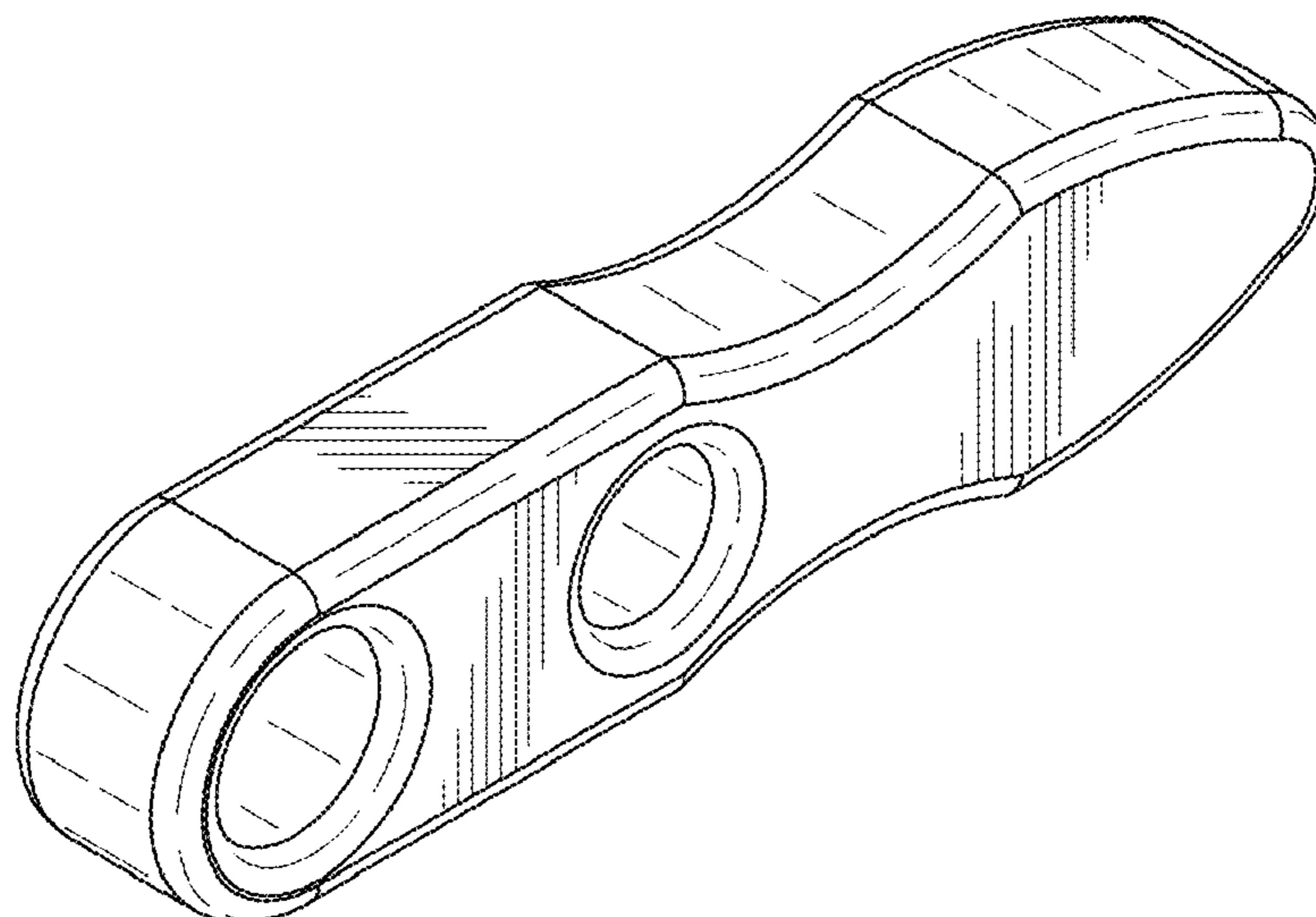
FIG. 1 is a front, top and right side perspective view of a cover fastener according to the invention;  
FIG. 2 is a rear, top and right side perspective view of the cover fastener of FIG. 1;  
FIG. 3 is a front elevation view of the cover fastener of FIG. 1;  
FIG. 4 is a rear elevation view of the cover fastener of FIG. 1;  
FIG. 5 is a top plan view of the cover fastener of FIG. 1;  
FIG. 6 is a right side elevation view of the cover fastener of FIG. 1;  
FIG. 7 is a bottom plan view of the cover fastener of FIG. 1;  
FIG. 8 is a left side elevation view of the cover fastener of FIG. 1;  
FIG. 9 is rear, bottom and right side perspective view of the cover fastener of FIG. 1; and,  
FIG. 10 is front, bottom and left side perspective view of the cover fastener of FIG. 1.

(56) **References Cited**

U.S. PATENT DOCUMENTS

- 423,312 A \* 3/1890 Clark ..... F16G 11/10  
24/134 R
- 1,366,212 A 1/1921 Pollard
- 2,229,935 A \* 1/1941 Powers ..... E04H 15/322  
24/129 B
- 2,284,197 A 8/1941 Greene
- D222,795 S 1/1972 Kovacevic

**1 Claim, 3 Drawing Sheets**



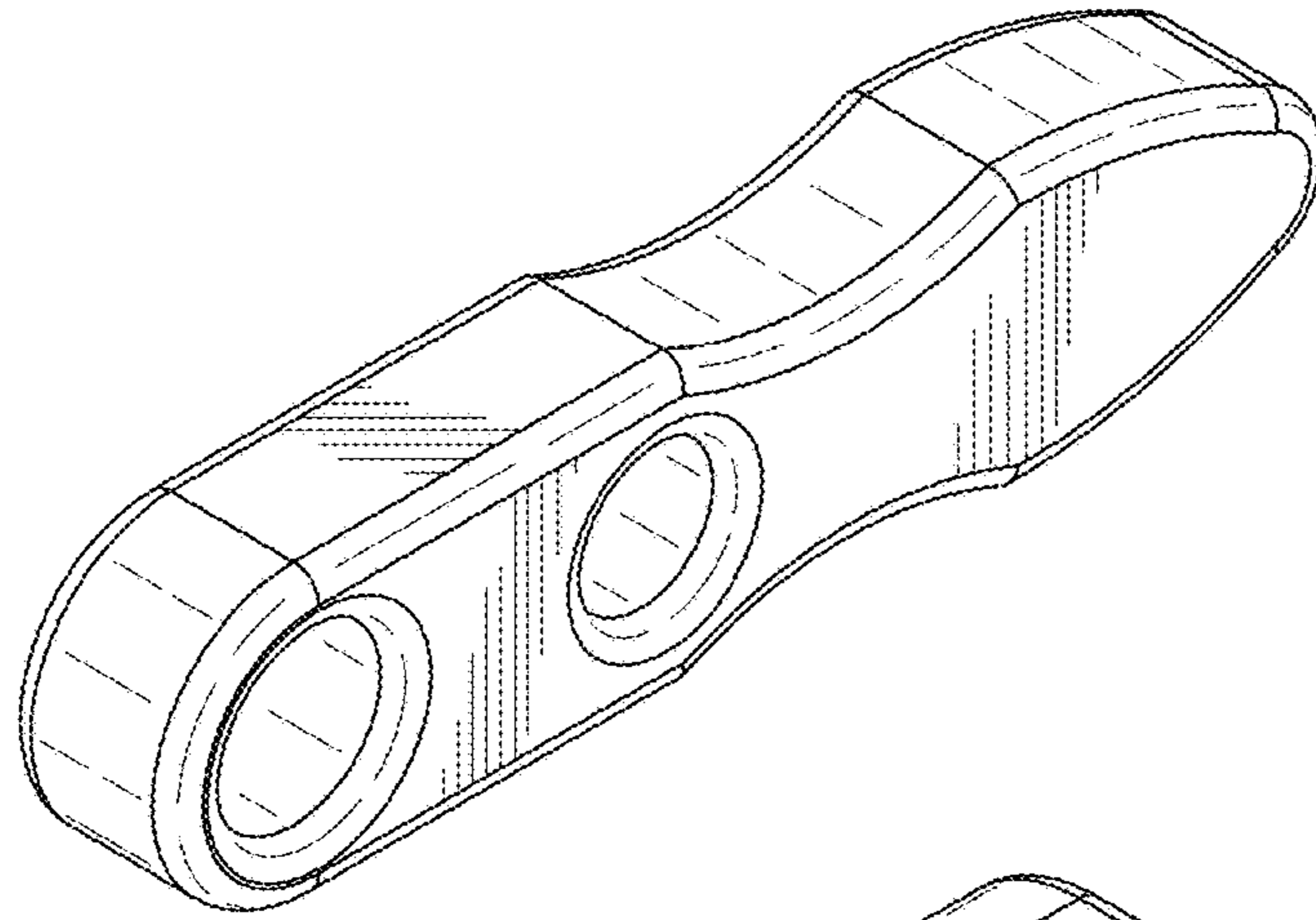
(56)

**References Cited**

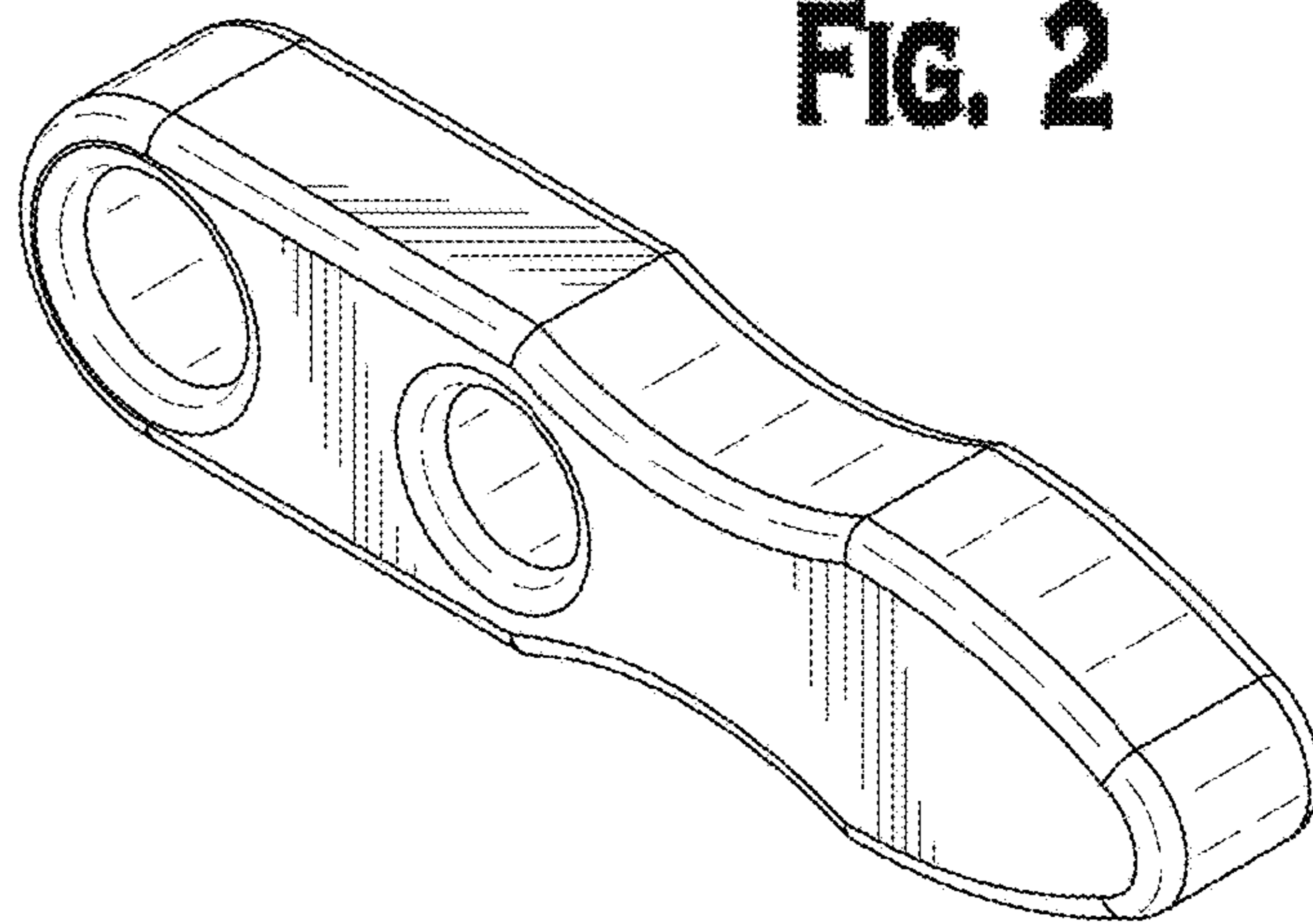
U.S. PATENT DOCUMENTS

D572,099	S *	7/2008	Fontaine .....	D8/356
7,594,923	B2 *	9/2009	Fallin .....	A61B 17/0401
				24/129 R
D649,792	S	12/2011	Nosworthy	
D684,845	S *	6/2013	Wood .....	A62B 35/04
				D8/356
D694,613	S	12/2013	Miles	
D710,679	S *	8/2014	Miller .....	D8/356
D740,106	S *	10/2015	Cooper .....	D8/356
D753,985	S	4/2016	Nelson et al.	
D798,197	S *	9/2017	Moore .....	D12/124
9,757,113	B2 *	9/2017	Pasquali .....	A61B 17/0401
D801,788	S	11/2017	Dershem	
D805,867	S *	12/2017	Seiders .....	D8/40
D813,652	S *	3/2018	Deveraux .....	D8/356
D814,276	S *	4/2018	Ressler .....	D8/382
2007/0039137	A1	2/2007	Dupont	
2010/0024177	A1	2/2010	Hayes et al.	
2010/0319605	A1	12/2010	Petrenko	
2015/0176678	A1	6/2015	Burrell	
2016/0066658	A1	3/2016	Breen et al.	
2017/0254353	A1 *	9/2017	Ressler .....	F16B 45/00
2017/0261156	A1	9/2017	Wise	

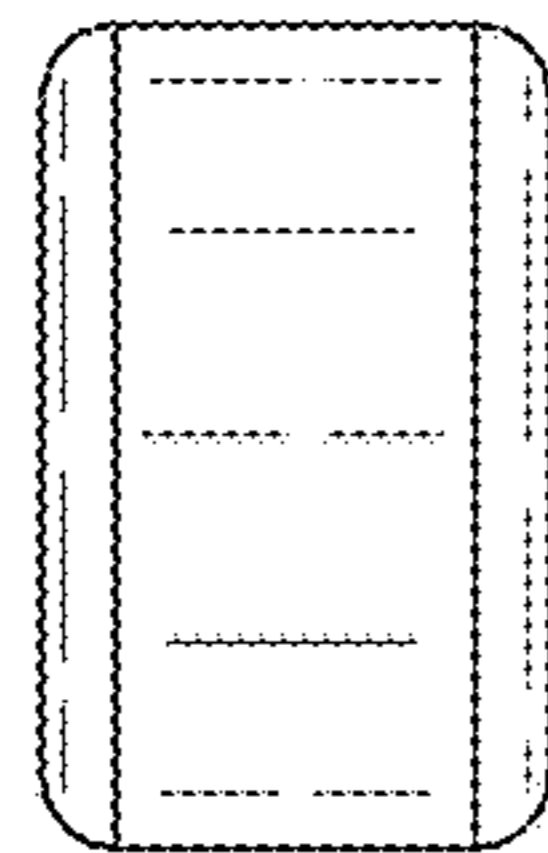
\* cited by examiner



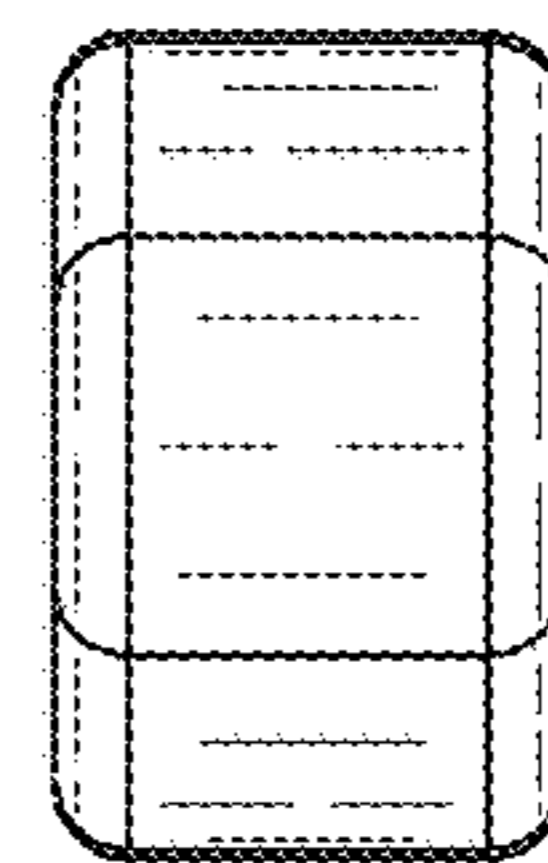
**FIG. 1**



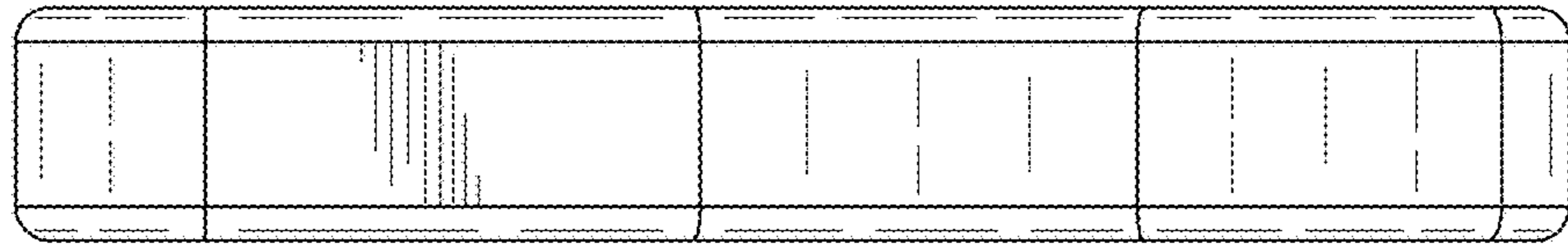
**FIG. 2**



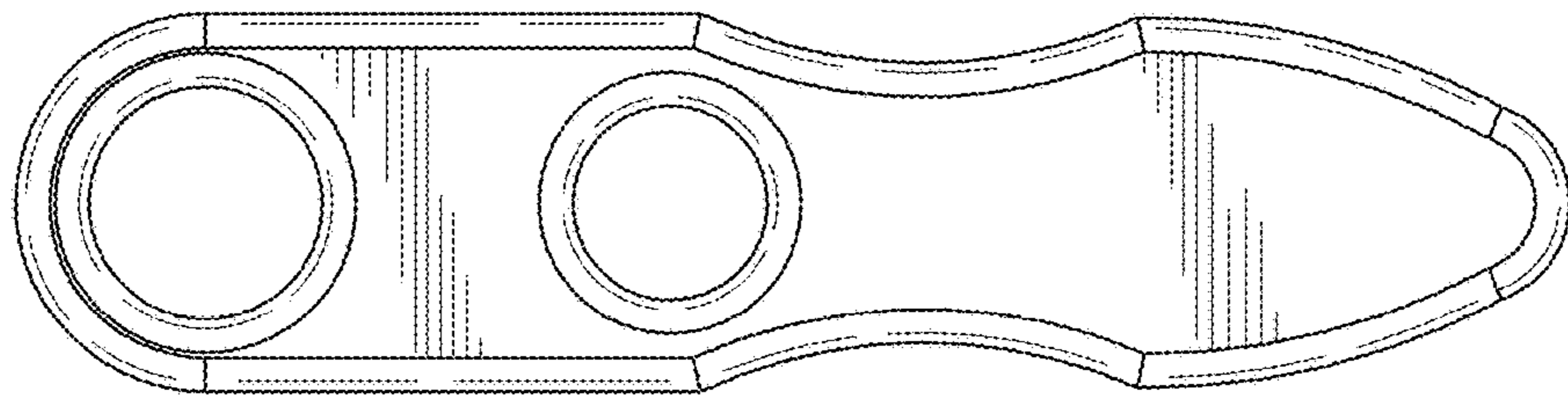
**FIG. 3**



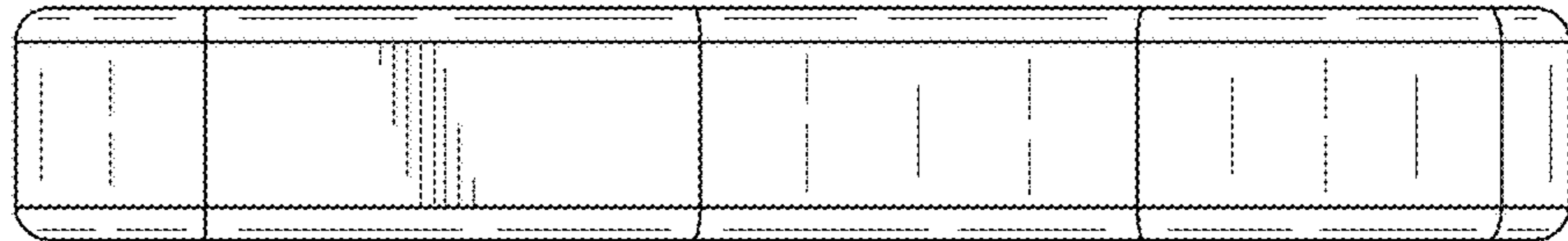
**FIG. 4**



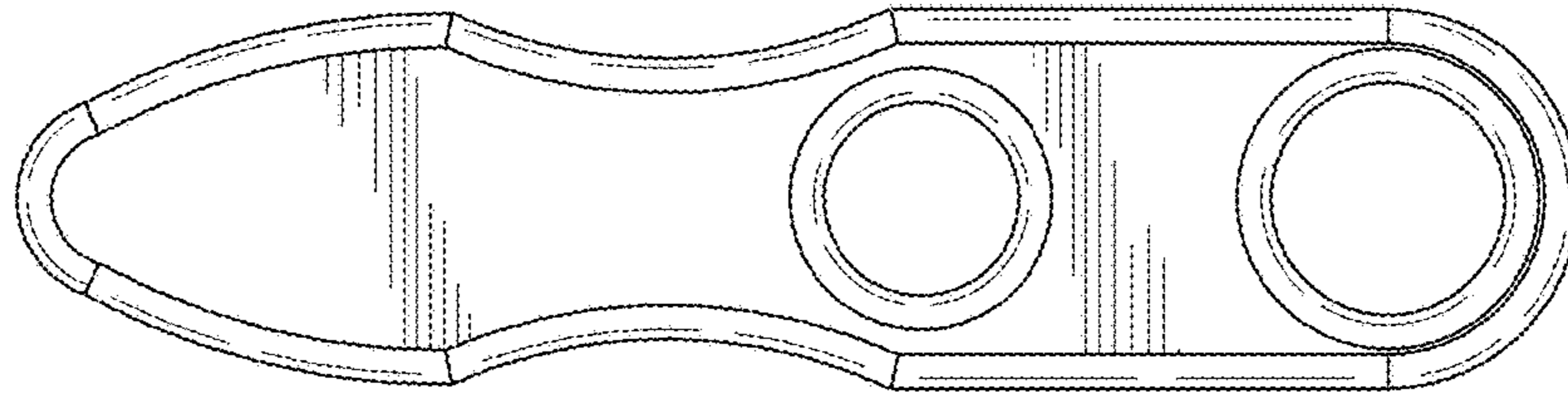
**FIG. 5**



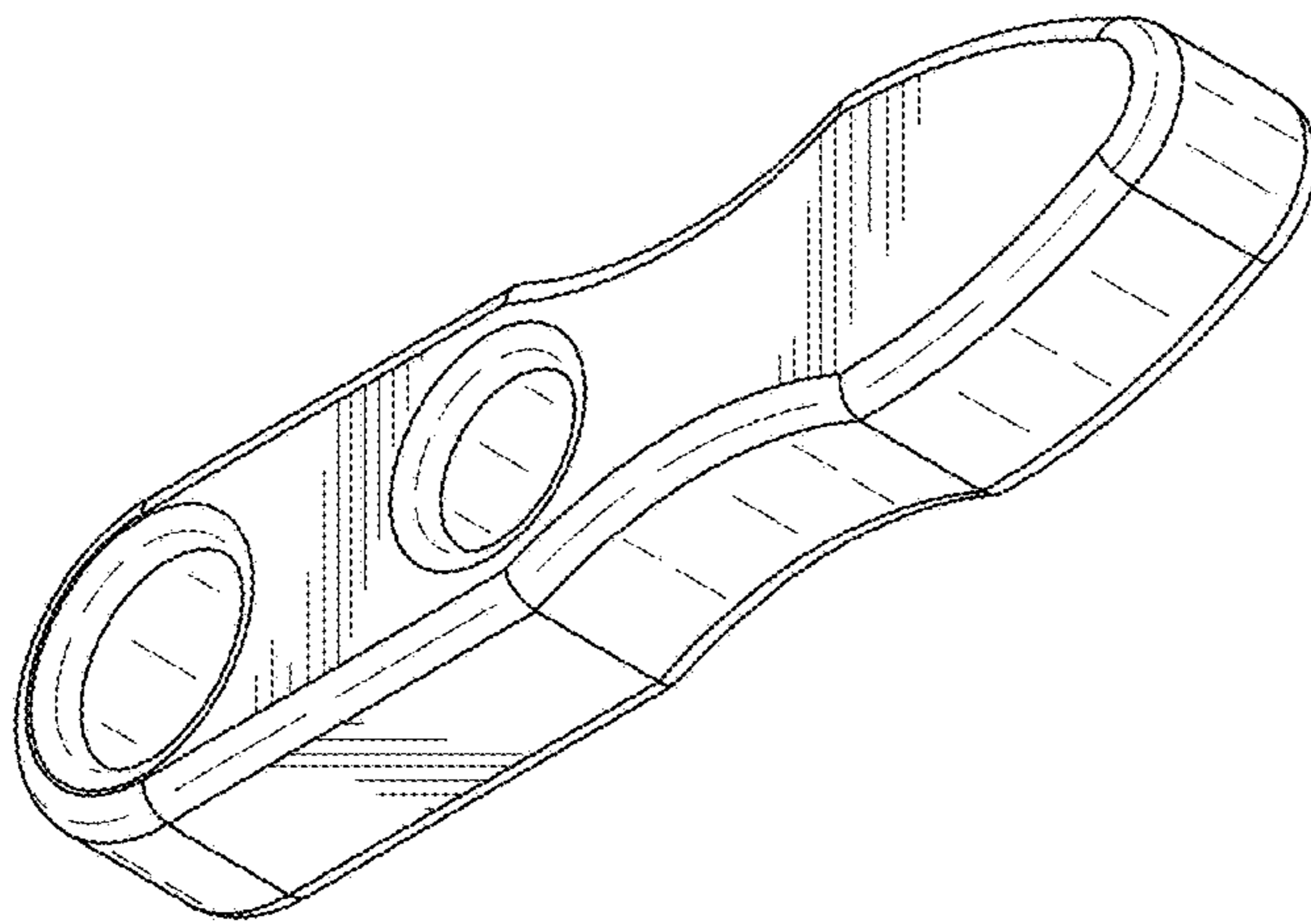
**FIG. 6**



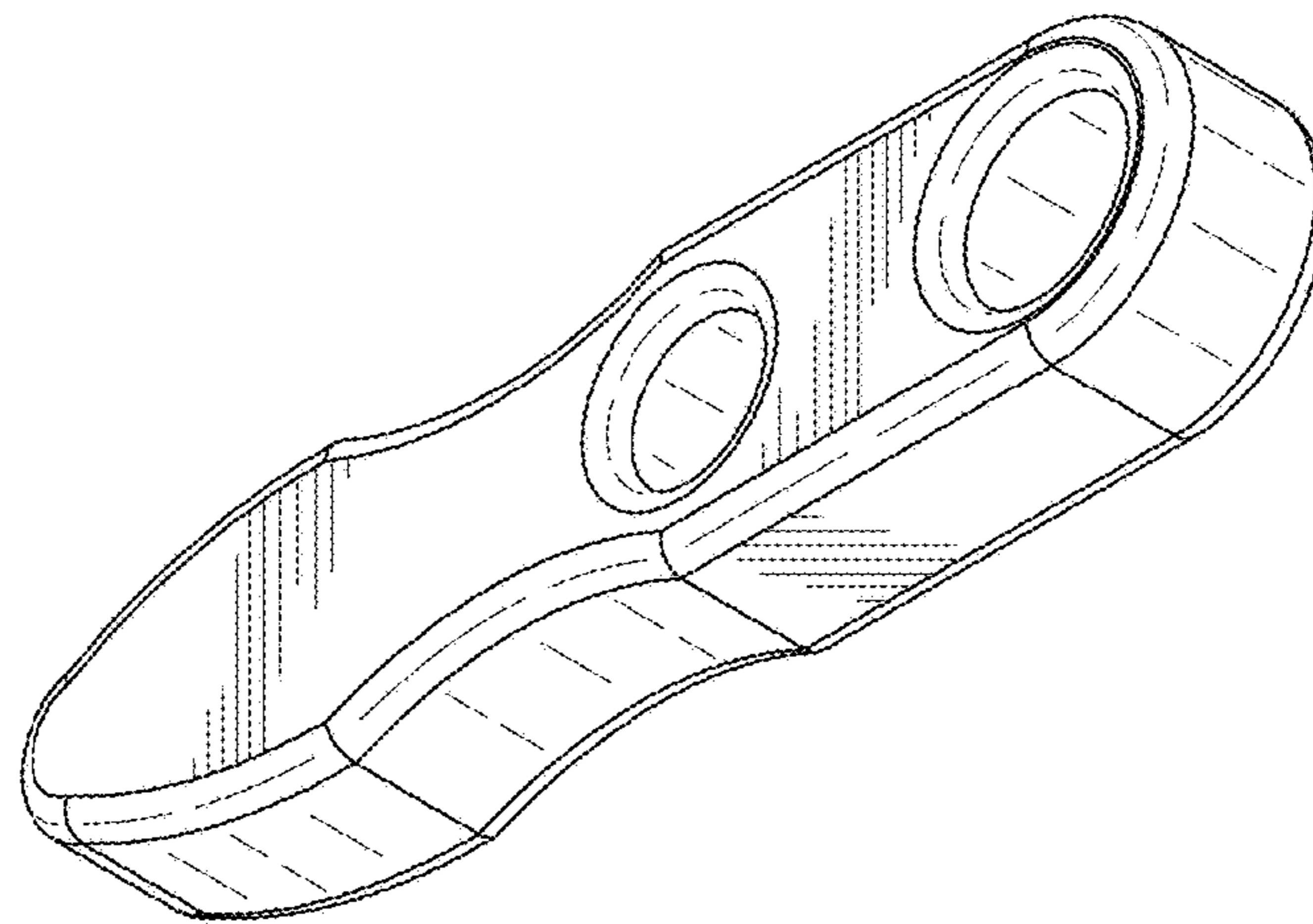
**FIG. 7**



**FIG. 8**



**FIG. 9**



**FIG. 10**