

US00D834930S

(12) **United States Design Patent** (10) **Patent No.:** **US D834,930 S**
Szucs et al. (45) **Date of Patent:** **** Dec. 4, 2018**

(54) **COUPLING** 4,887,929 A * 12/1989 Hale E03F 9/002
279/79
(71) Applicant: **Ridge Tool Company**, Elyria, OH (US) D310,956 S * 10/1990 Huska D8/387
D313,067 S * 12/1990 Kotake D23/262
(72) Inventors: **Jeffrey Szucs**, Akron, OH (US); D314,814 S * 2/1991 Lubeck D23/262
Christopher Schmauder, North D343,780 S * 2/1994 Balbaugh, III D8/70
Olmstead, OH (US) 5,464,300 A * 11/1995 Crainich A61B 17/068
403/322.1
(73) Assignee: **RIDGE TOOL COMPANY**, Elyria, D435,652 S * 12/2000 Nazarifar D23/262
OH (US) D576,027 S * 9/2008 Lanz D8/387
D736,914 S * 8/2015 Schultz D24/129
D747,634 S * 1/2016 Katagiyama D8/14
D779,046 S * 2/2017 Tansey, Jr. D23/262
(**) Term: **15 Years** 2003/0231927 A1* 12/2003 Hale B08B 9/045
403/349

(21) Appl. No.: **29/609,017**
(22) Filed: **Jun. 27, 2017**
(51) **LOC (11) Cl.** **08-08**
(52) **U.S. Cl.**
USPC **D8/382**
(58) **Field of Classification Search**
USPC D8/349, 354, 387, 388, 394, 397, 382,
D8/14, 71; D23/262, 265; D10/129
CPC . F16D 1/10; F16D 1/108; F16D 1/112; F16C
1/08; Y10T 403/1624; Y10T 403/604;
Y10T 403/7016; Y10T 74/20462; E03F
7/106
See application file for complete search history.

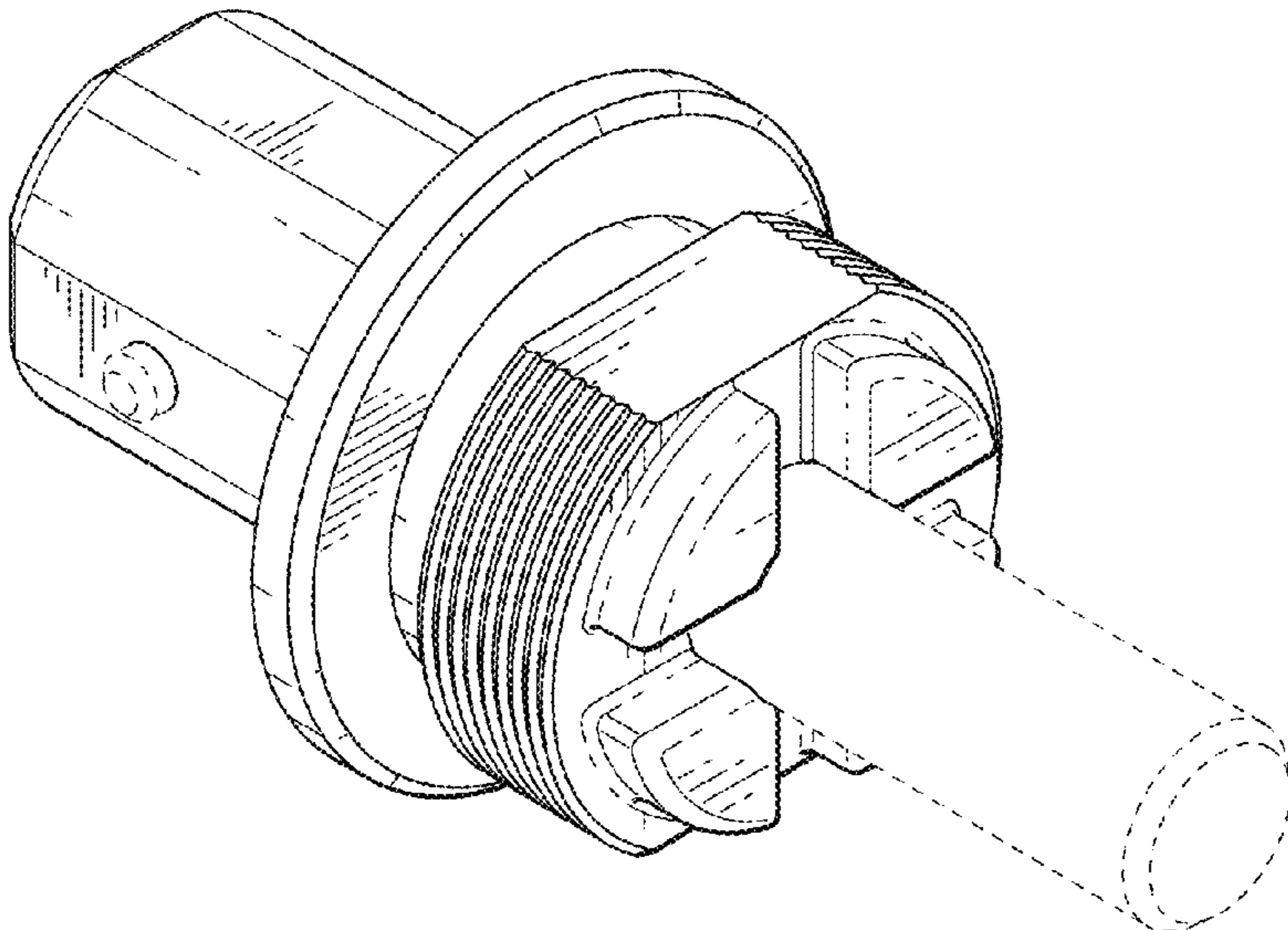
(56) **References Cited**
U.S. PATENT DOCUMENTS
1,134,179 A * 4/1915 Boyd F16L 37/252
285/362
3,073,633 A * 1/1963 Jeffs F16B 7/18
403/180
3,632,147 A * 1/1972 Finger A47F 5/14
403/171
4,042,305 A * 8/1977 Vincent F16B 21/088
15/104.33
4,277,934 A * 7/1981 Rieck B68B 5/00
403/325
D289,405 S * 4/1987 Nystrom D15/138

(Continued)
Primary Examiner — Sandra S Snapp
Assistant Examiner — Ieisha N Price
(74) *Attorney, Agent, or Firm* — Mark E. Bandy; Rankin,
Hill & Clark LLP

(57) **CLAIM**
The ornamental design for a coupling, as shown and
described.

DESCRIPTION
FIG. 1 is a front perspective view of a coupling.
FIG. 2 is another front perspective view of the coupling of
FIG. 1.
FIG. 3 is another front perspective view of the coupling of
FIG. 1.
FIG. 4 is another front perspective view of the coupling of
FIG. 1.
FIG. 5 is a side view of the coupling of FIG. 1.
FIG. 6 is a top or bottom view of the coupling of FIG. 1.
FIG. 7 is a front end view of the coupling of FIG. 1; and,
FIG. 8 is a rear end view of the coupling of FIG. 1.
The broken lines are directed to environment and are for
illustrative purposes only; the broken lines form no part of
the claimed design.

1 Claim, 4 Drawing Sheets



(56)

References Cited

U.S. PATENT DOCUMENTS

2009/0232585 A1* 9/2009 Gilbreath F16L 37/088
403/14
2015/0113748 A1* 4/2015 Rutkowski E03C 1/302
15/104.33

* cited by examiner

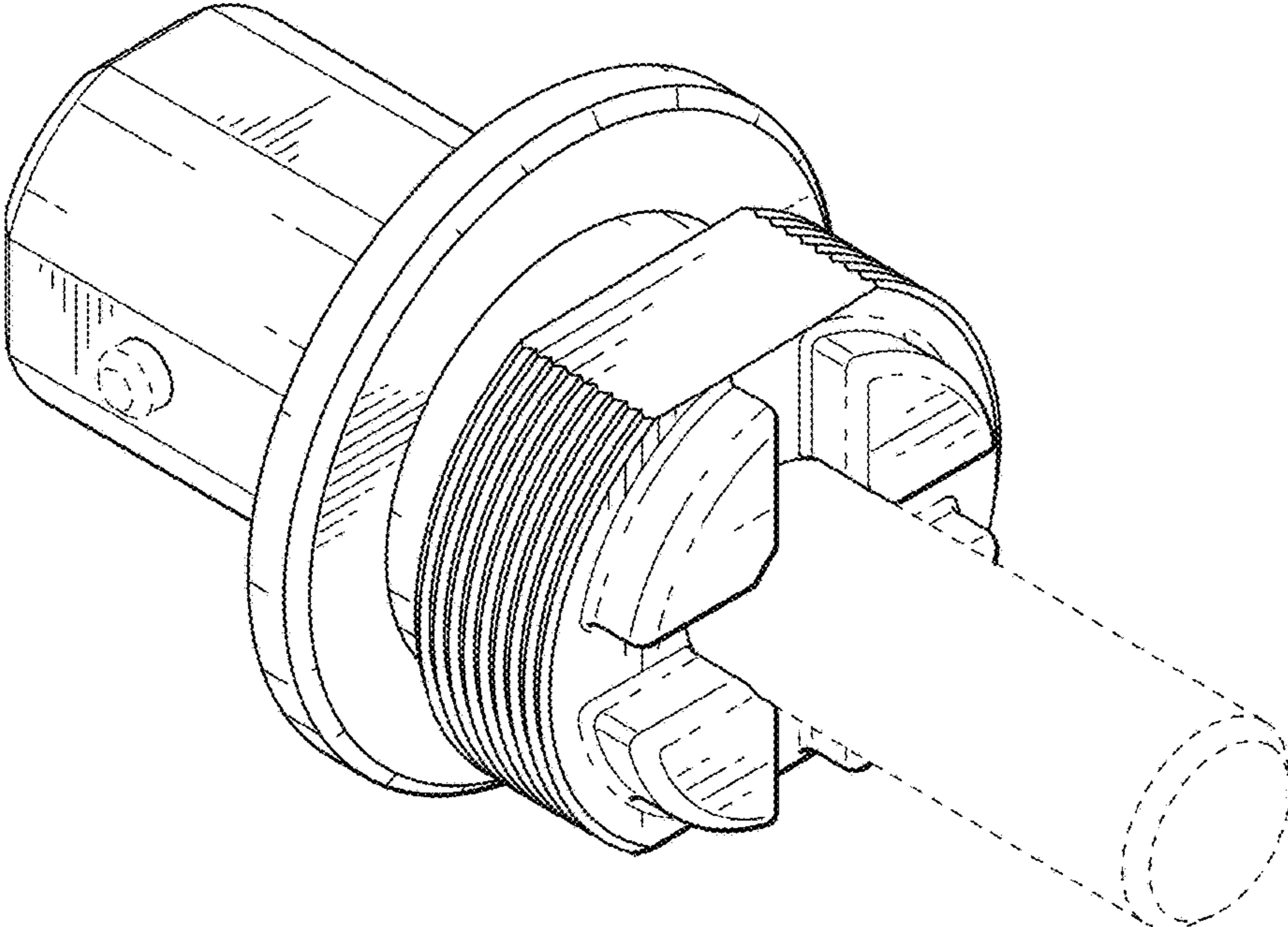


FIG. 1

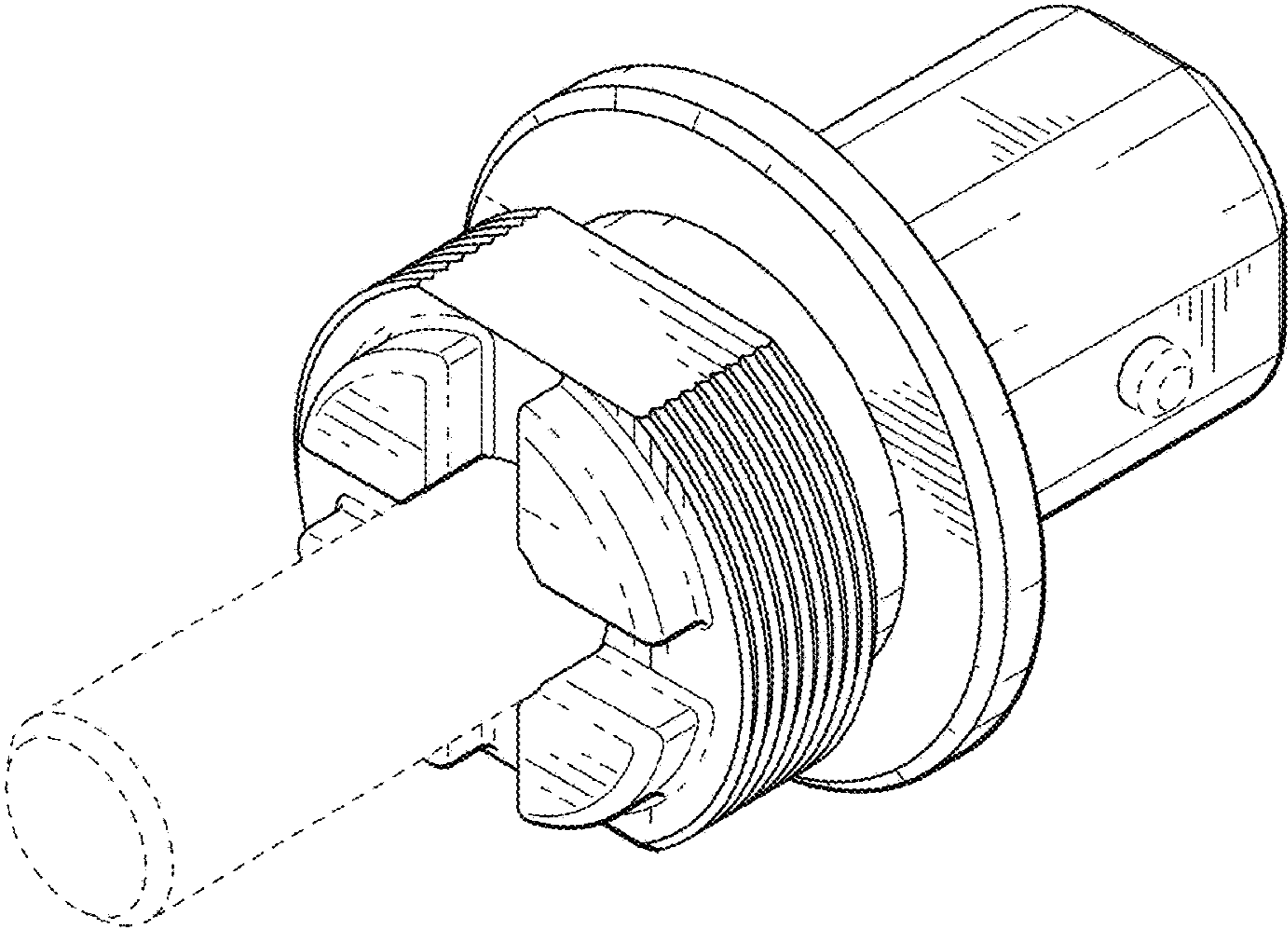


FIG. 2

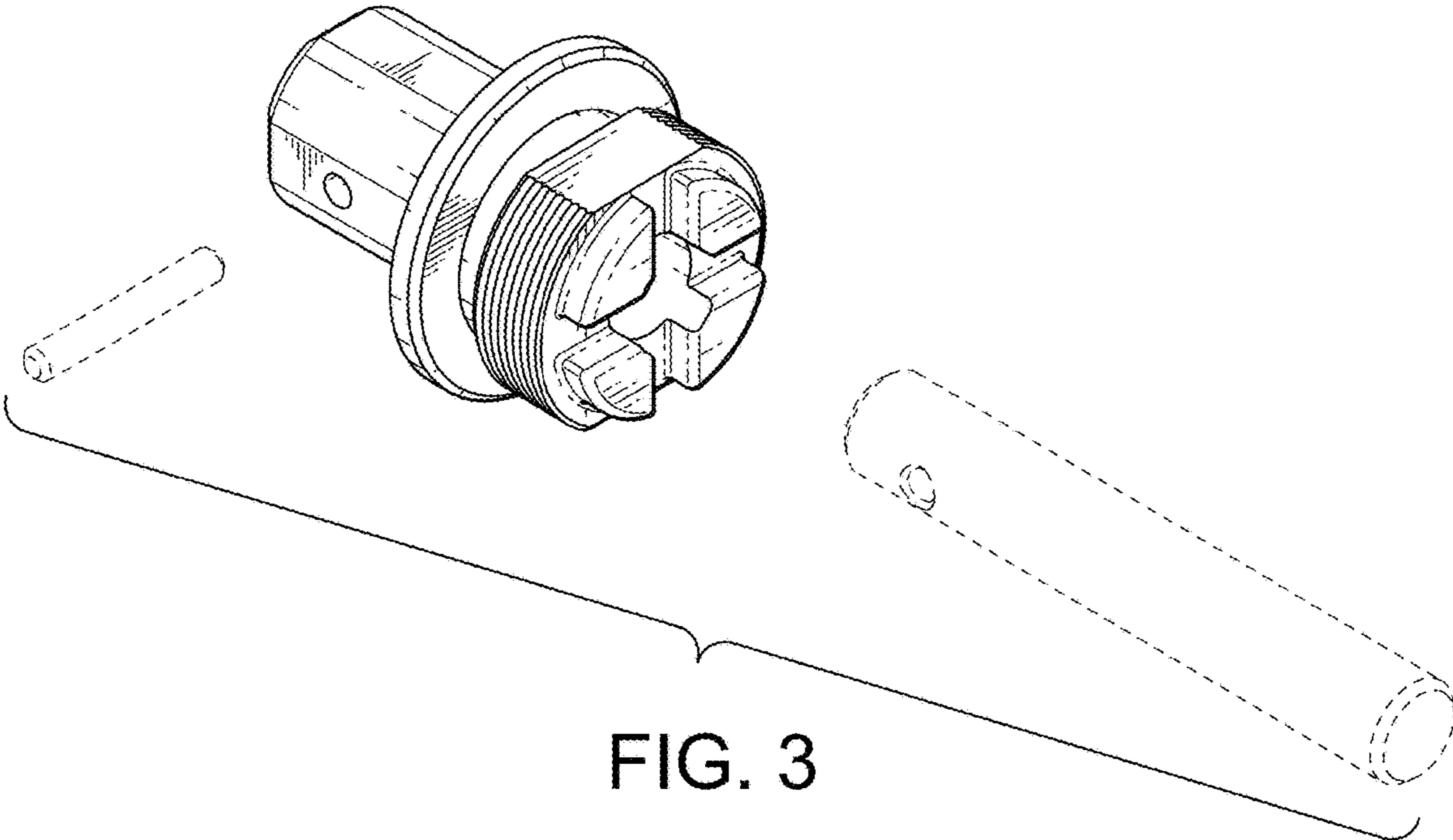


FIG. 3

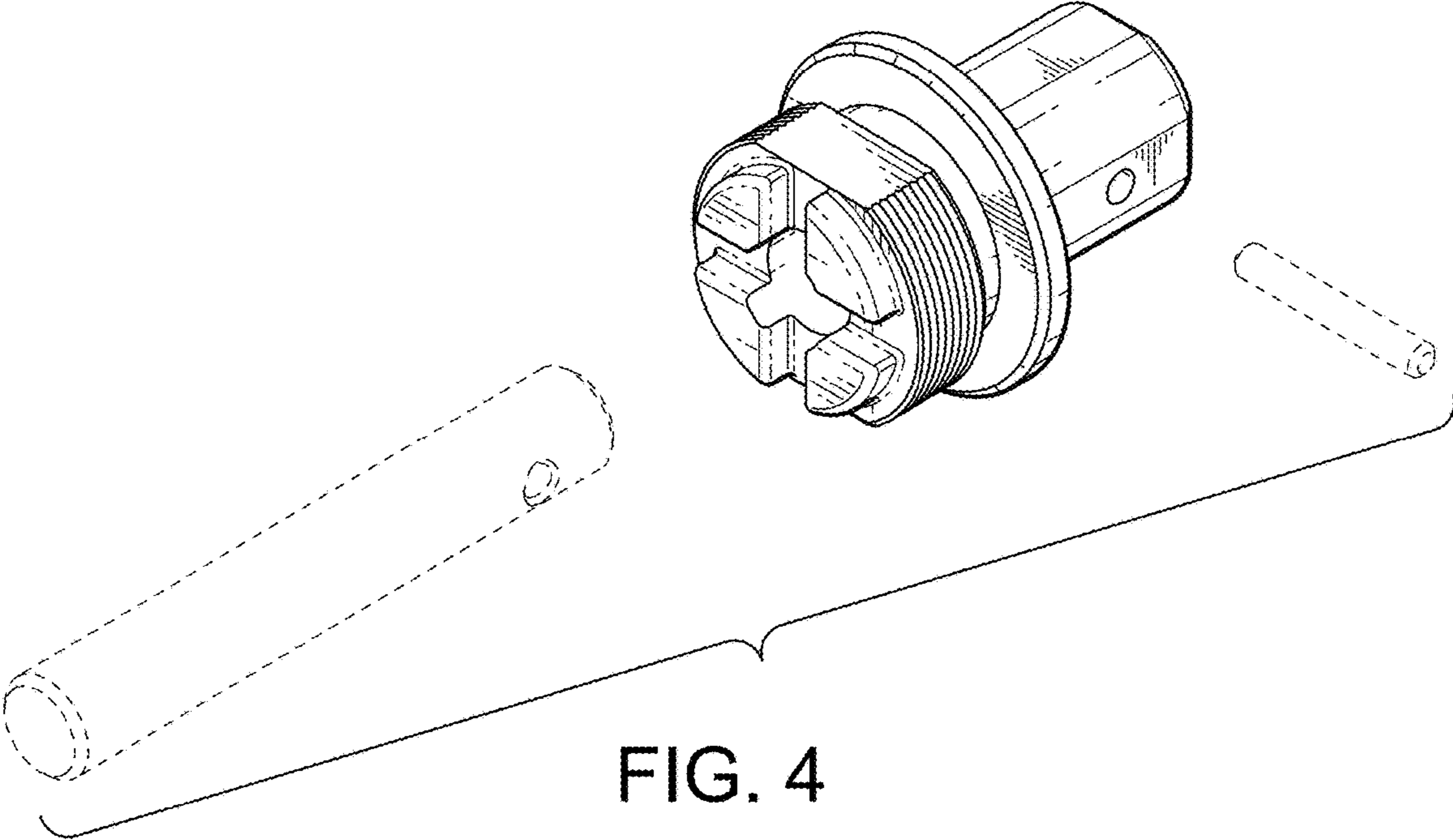


FIG. 4

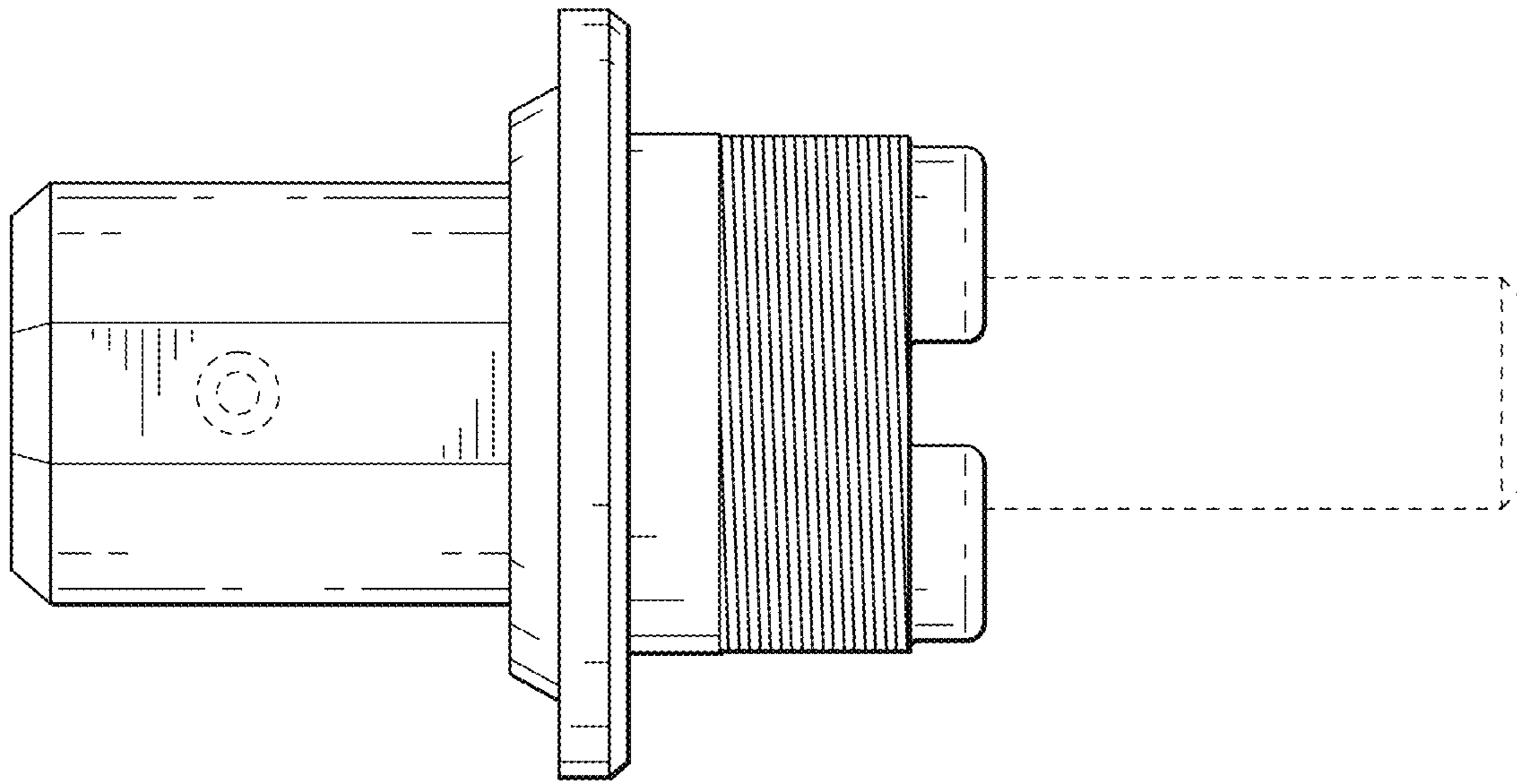


FIG. 5

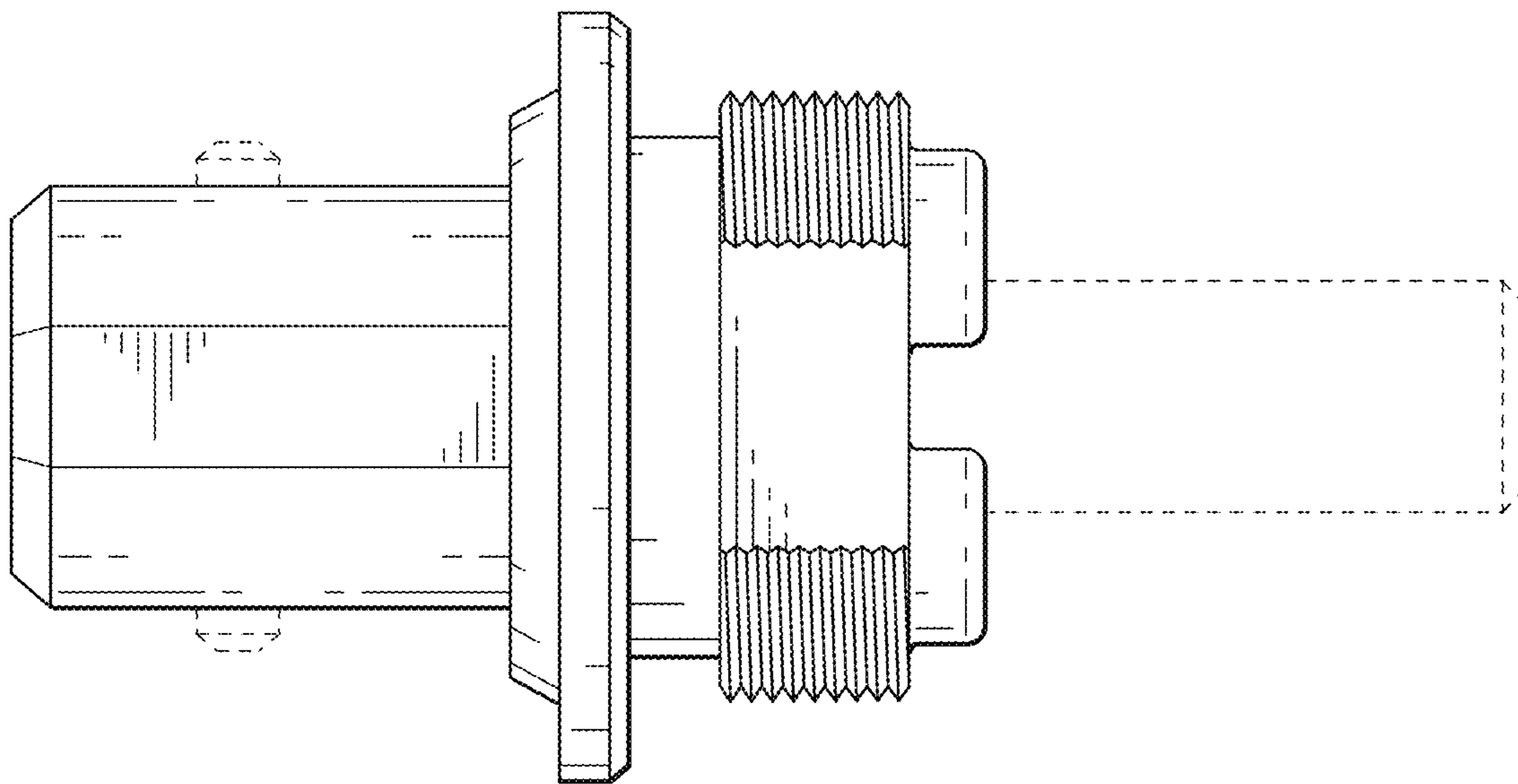


FIG. 6

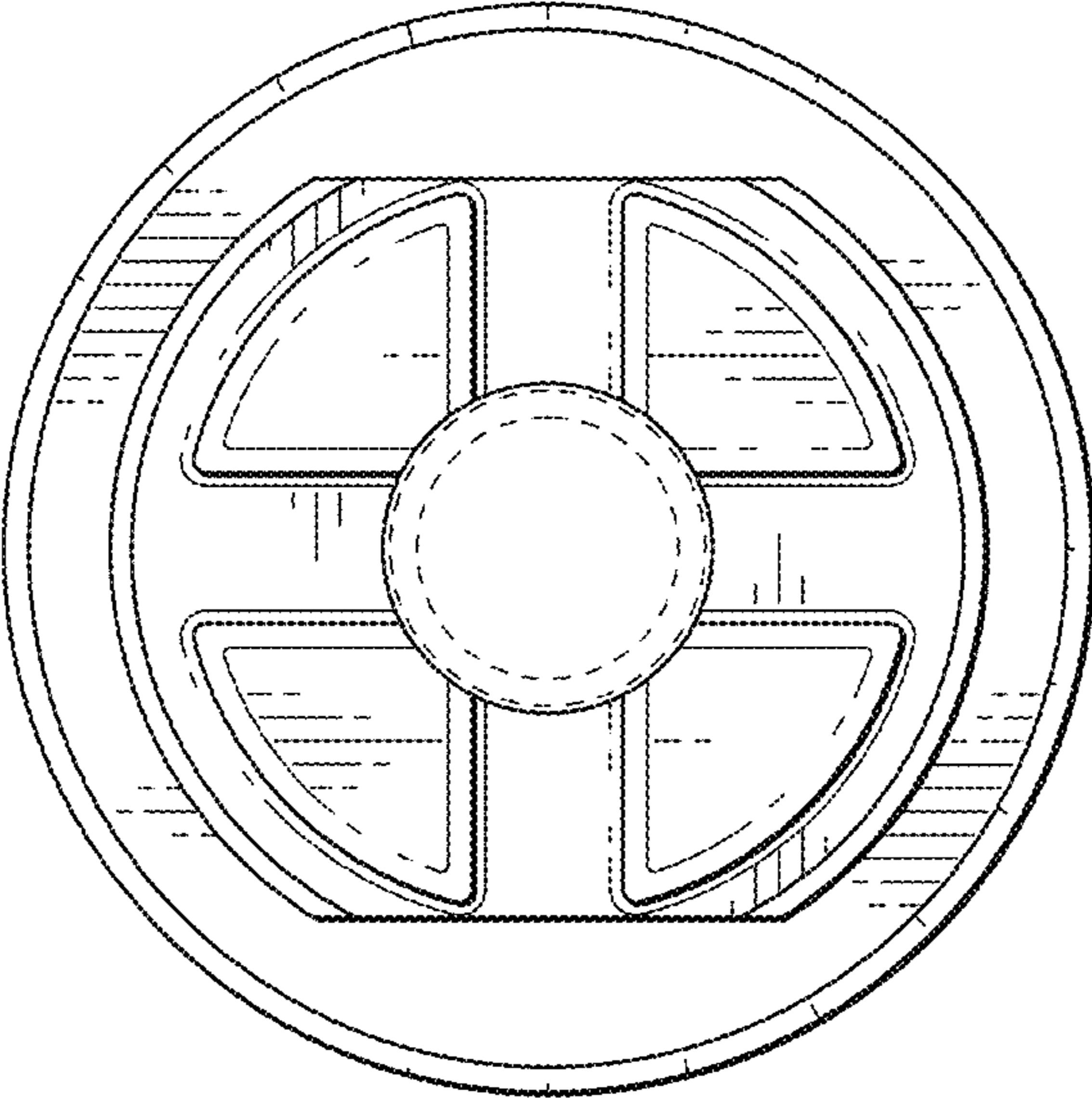


FIG. 7

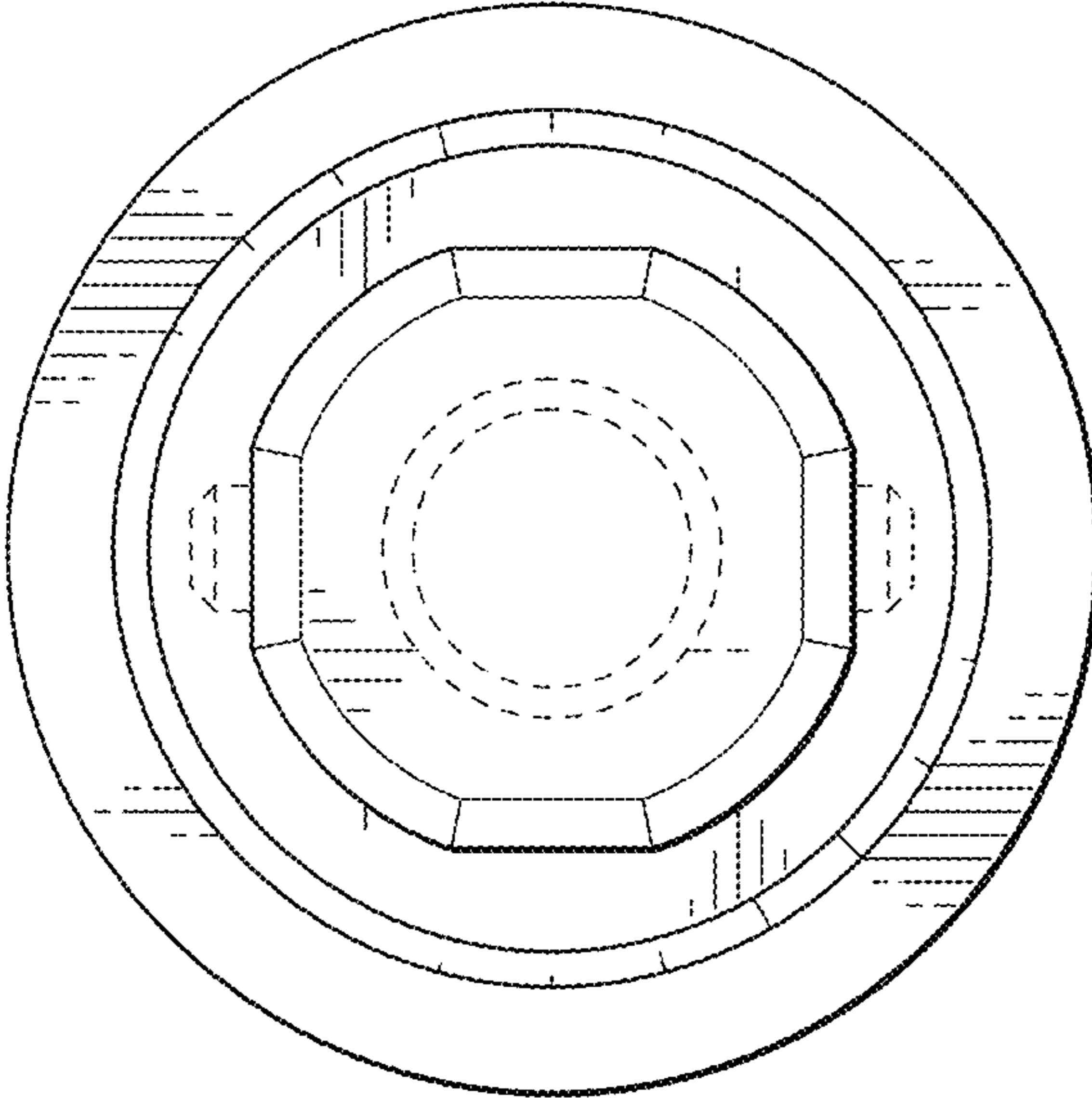


FIG. 8