



US00D834929S

(12) **United States Design Patent** (10) **Patent No.:** **US D834,929 S**
Wang (45) **Date of Patent:** **** Dec. 4, 2018**

(54) **FASTENER** 2009/0313804 A1* 12/2009 Wang F16B 5/0208
29/525.11
(71) Applicant: **FIVETECH TECHNOLOGY INC.,** 2009/0317208 A1* 12/2009 Wang F16B 5/0208
New Taipei (TW) 411/353
2012/0224935 A1* 9/2012 Chiu F16B 5/0266
411/352
(72) Inventor: **Ting-Jui Wang,** New Taipei (TW) 2012/0237315 A1* 9/2012 Chiu F16B 5/0208
411/171
(73) Assignee: **FIVETECH TECHNOLOGY INC.** 2012/0237316 A1* 9/2012 Chiu F16B 5/0208
(TW) 411/353
2015/0267730 A1* 9/2015 He F16B 5/0208
411/352

(**) Term: **15 Years**

(21) Appl. No.: **29/560,370**

(22) Filed: **Apr. 6, 2016**

(51) **LOC (11) Cl.** **08-08**

(52) **U.S. Cl.**
USPC **D8/382**

(58) **Field of Classification Search**
USPC D8/354, 382, 387, 395, 499; D9/434,
D9/435, 452, 453, 499
CPC F16B 41/002; F16B 5/0208; F16B 39/28;
Y10S 411/97; Y10S 411/999; B65D
41/02; B65D 41/04; A61J 1/00; A61J
1/03
See application file for complete search history.

(56) **References Cited**

U.S. PATENT DOCUMENTS

D283,591 S * 4/1986 Swanstrom D8/382
D391,844 S * 3/1998 Ropponen D8/382
D411,952 S * 7/1999 Alderisio, Jr. D8/387
D656,392 S * 3/2012 McKenna D8/382
8,893,369 B2* 11/2014 Wang H05K 3/3447
29/453
D729,052 S * 5/2015 Summers D8/387
2009/0202318 A1* 8/2009 Wang F16B 5/0208
411/295

* cited by examiner

Primary Examiner — Ian Simmons

Assistant Examiner — Ieisha N Price

(74) *Attorney, Agent, or Firm* — Schmeiser, Olsen & Watts, LLP

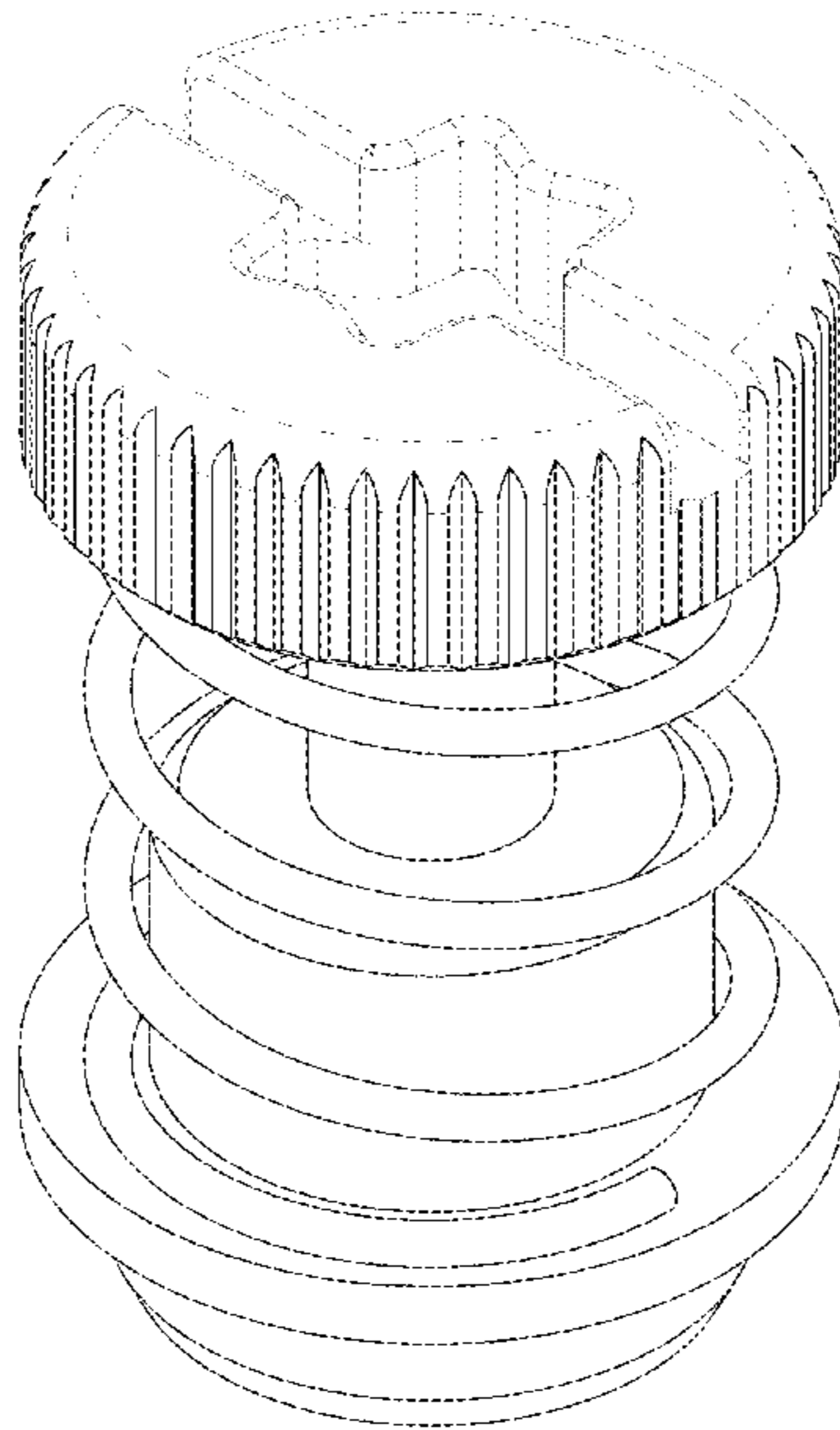
(57) **CLAIM**

The ornamental design for a fastener, as shown and described.

DESCRIPTION

FIG. 1 is a perspective view of a fastener showing my new design;
FIG. 2 is a front elevation view thereof;
FIG. 3 is a rear elevation view thereof;
FIG. 4 is a left side elevation view thereof;
FIG. 5 is a right side elevation view thereof;
FIG. 6 is a top plan view thereof; and,
FIG. 7 is a bottom plan view thereof.
The broken lines in the drawings illustrate portions of the fastener that form no part of the claimed design. The dot-dot-dash broken lines in the drawings define the bounds of the claim and form no part thereof. None of the broken lines form any part of the claimed design.

1 Claim, 7 Drawing Sheets



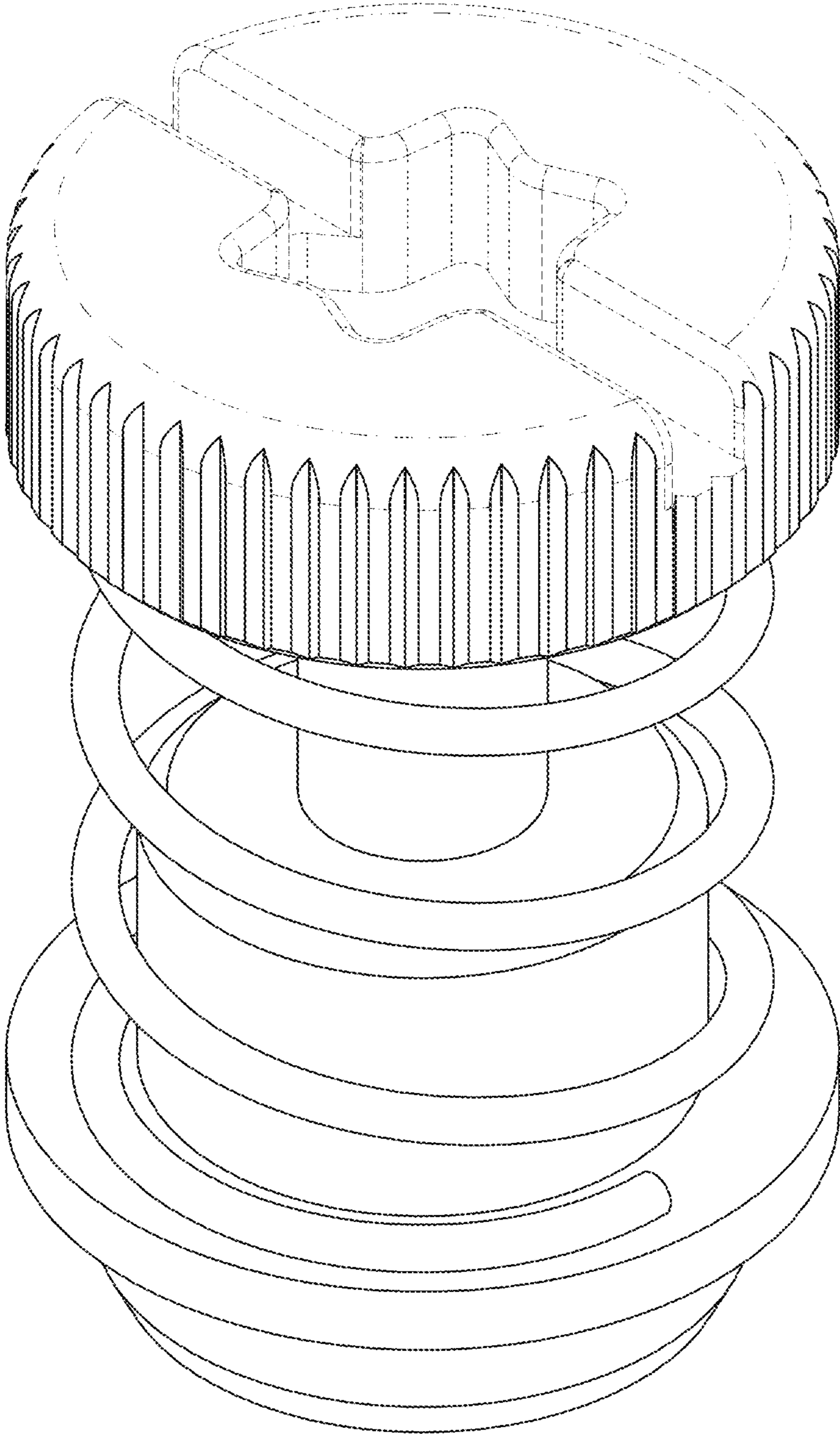


FIG.1

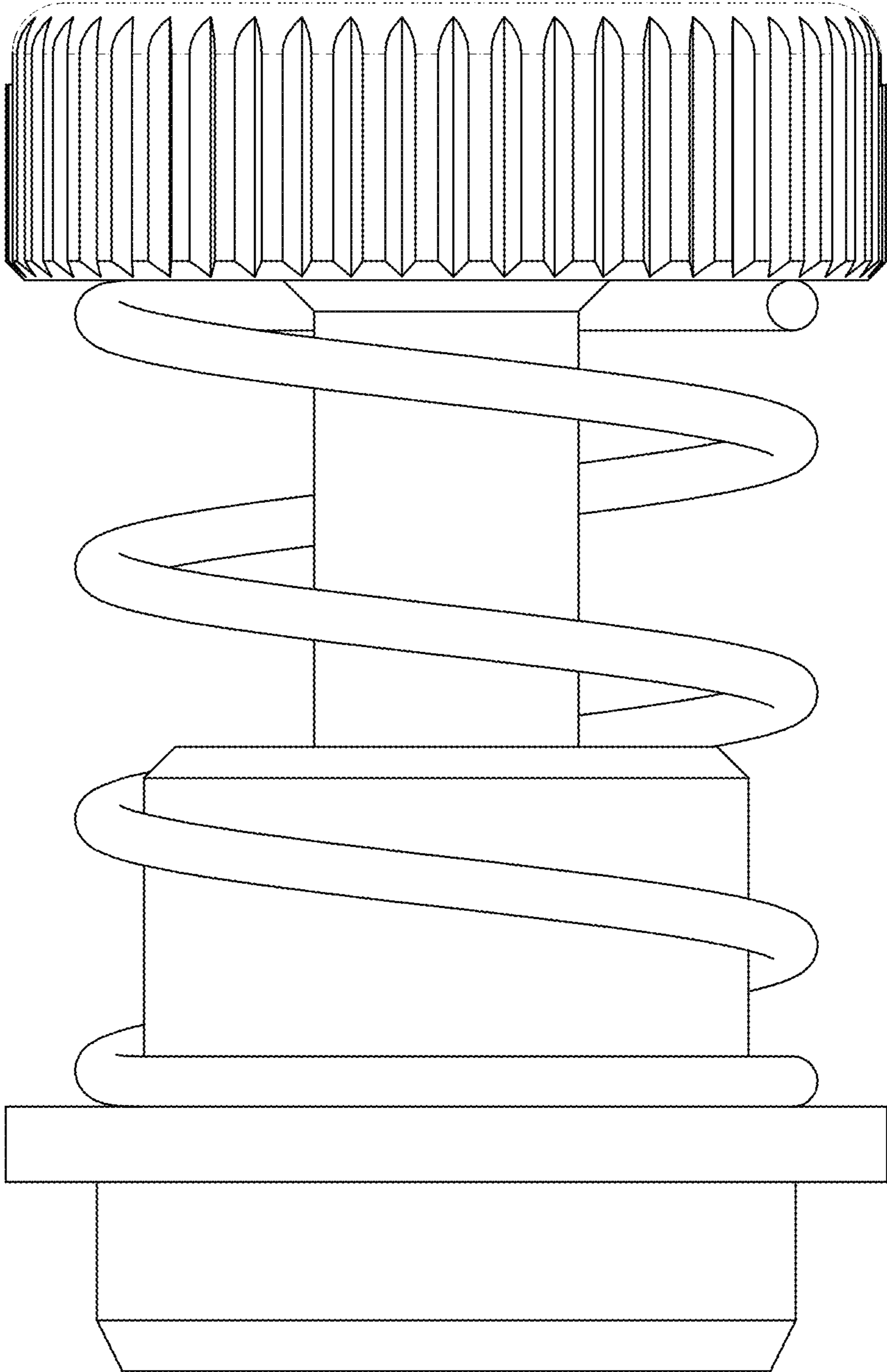


FIG. 2

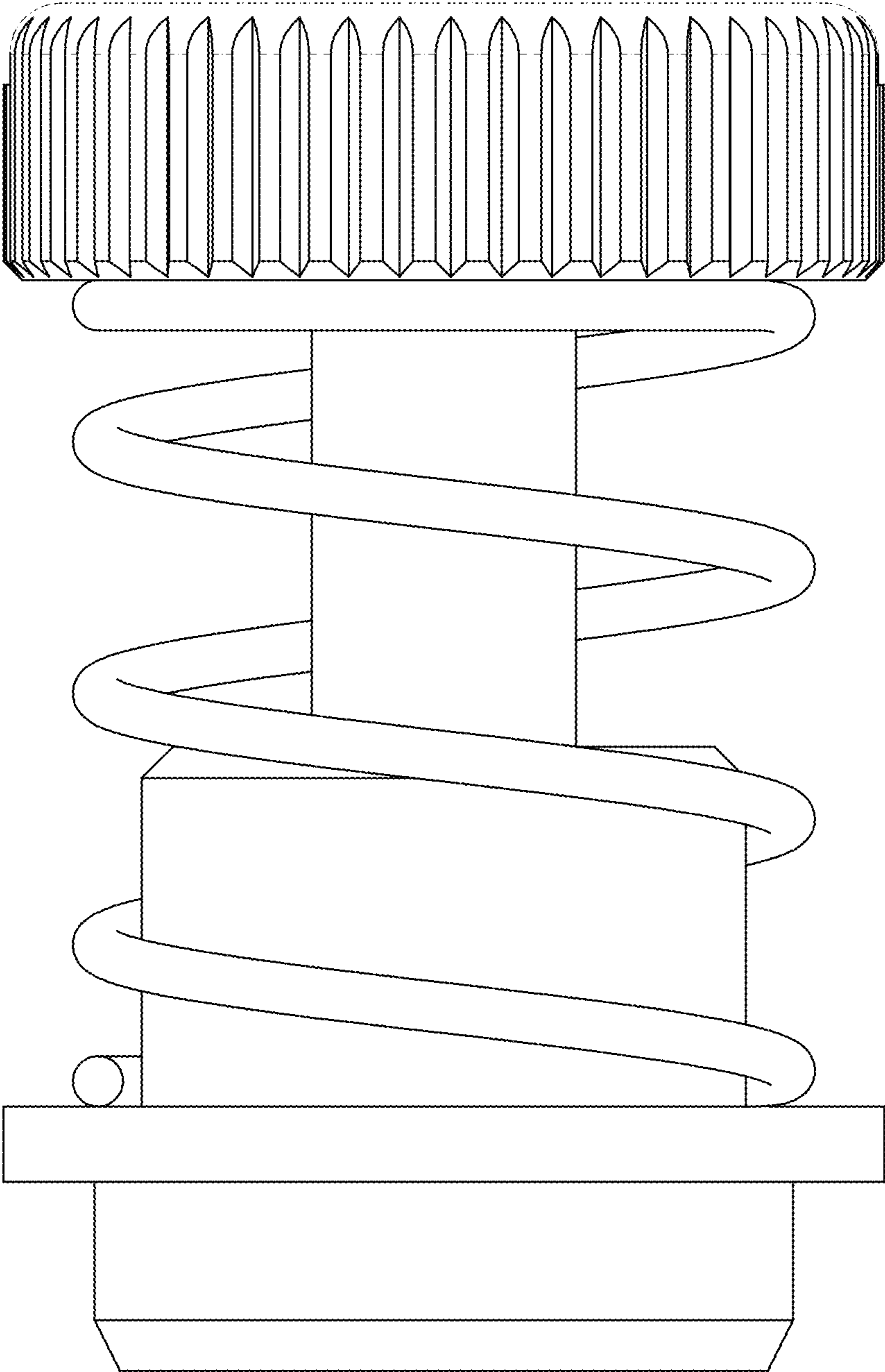


FIG.3

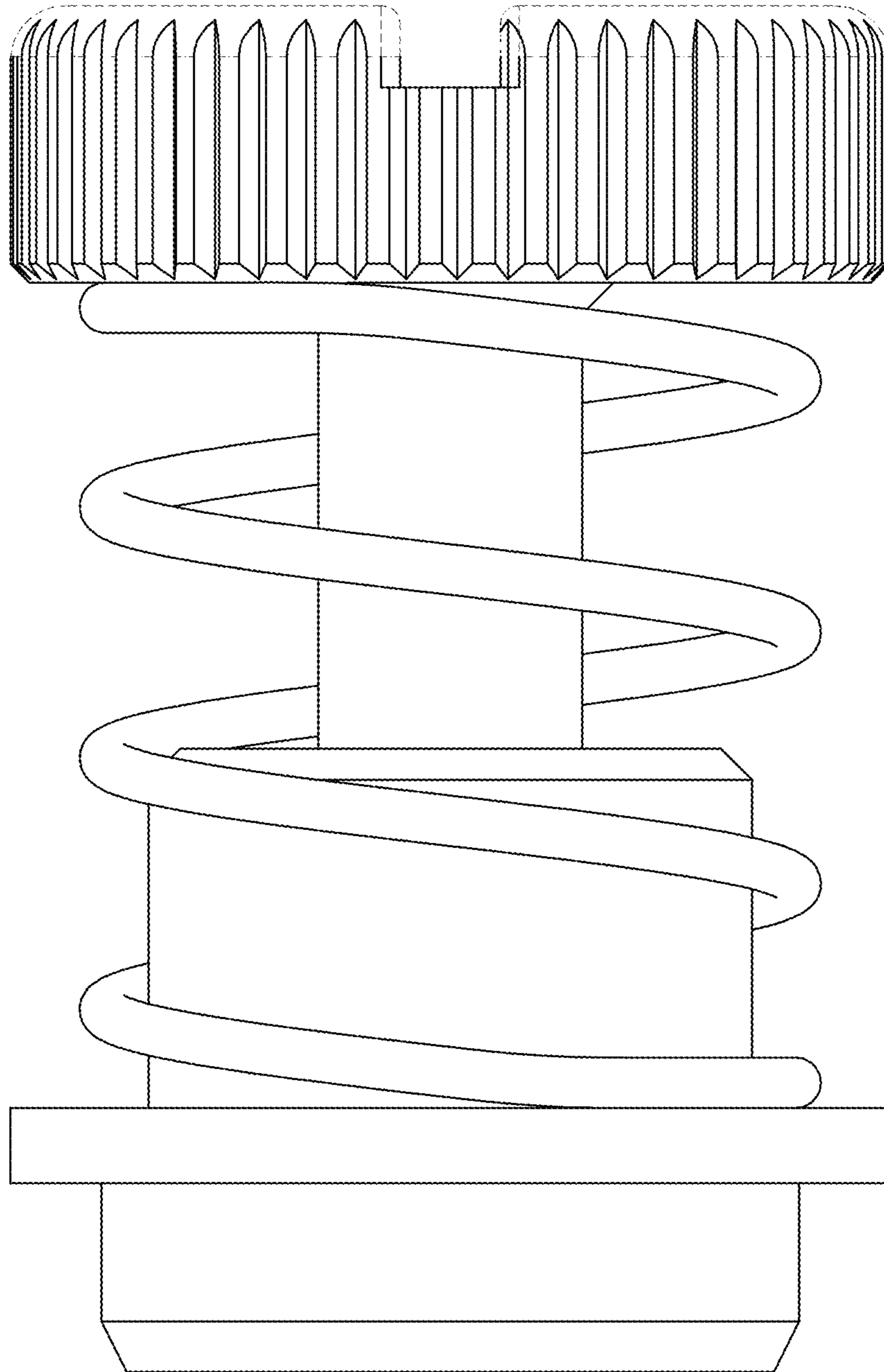


FIG.4

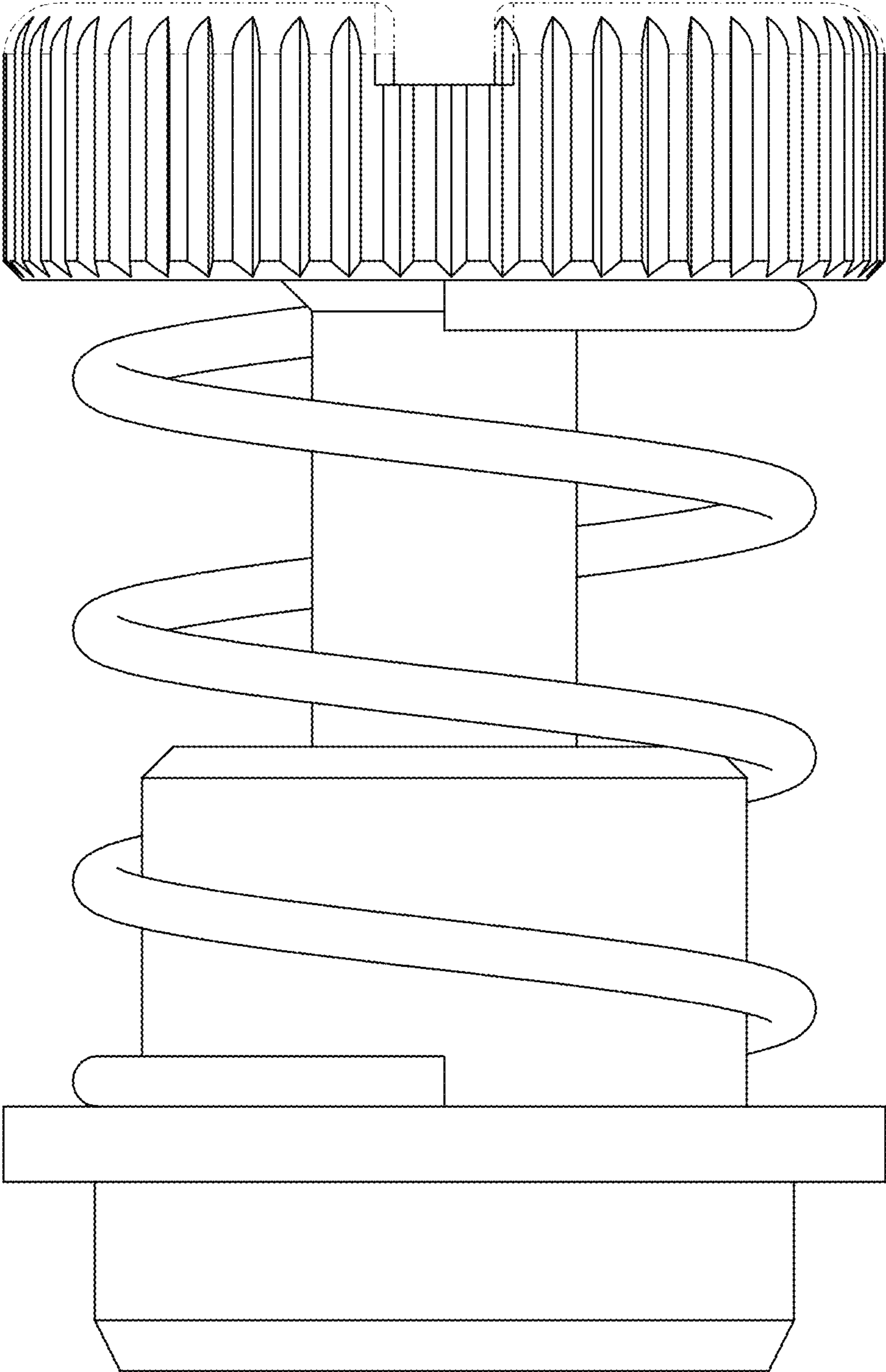


FIG.5

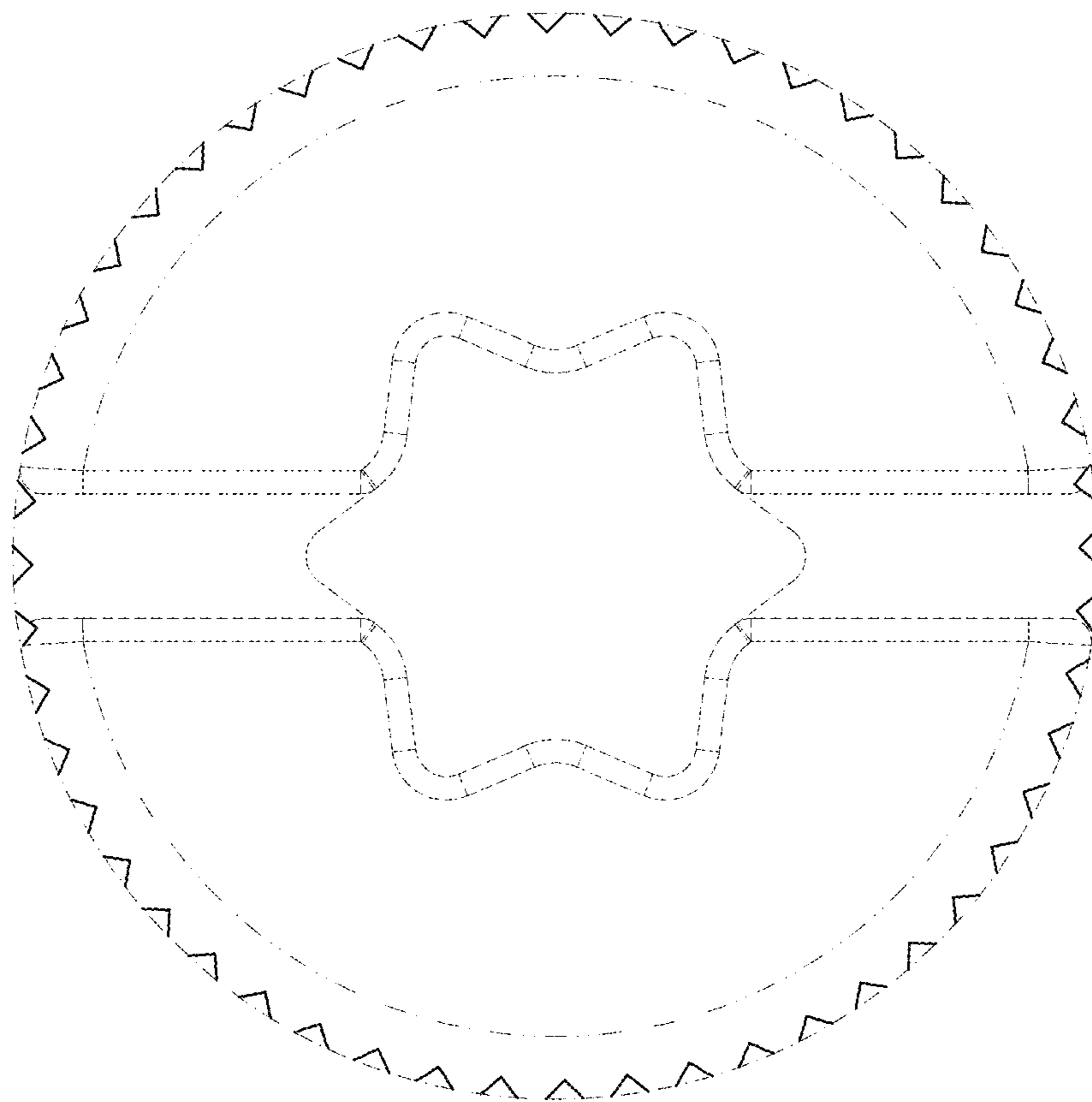


FIG. 6

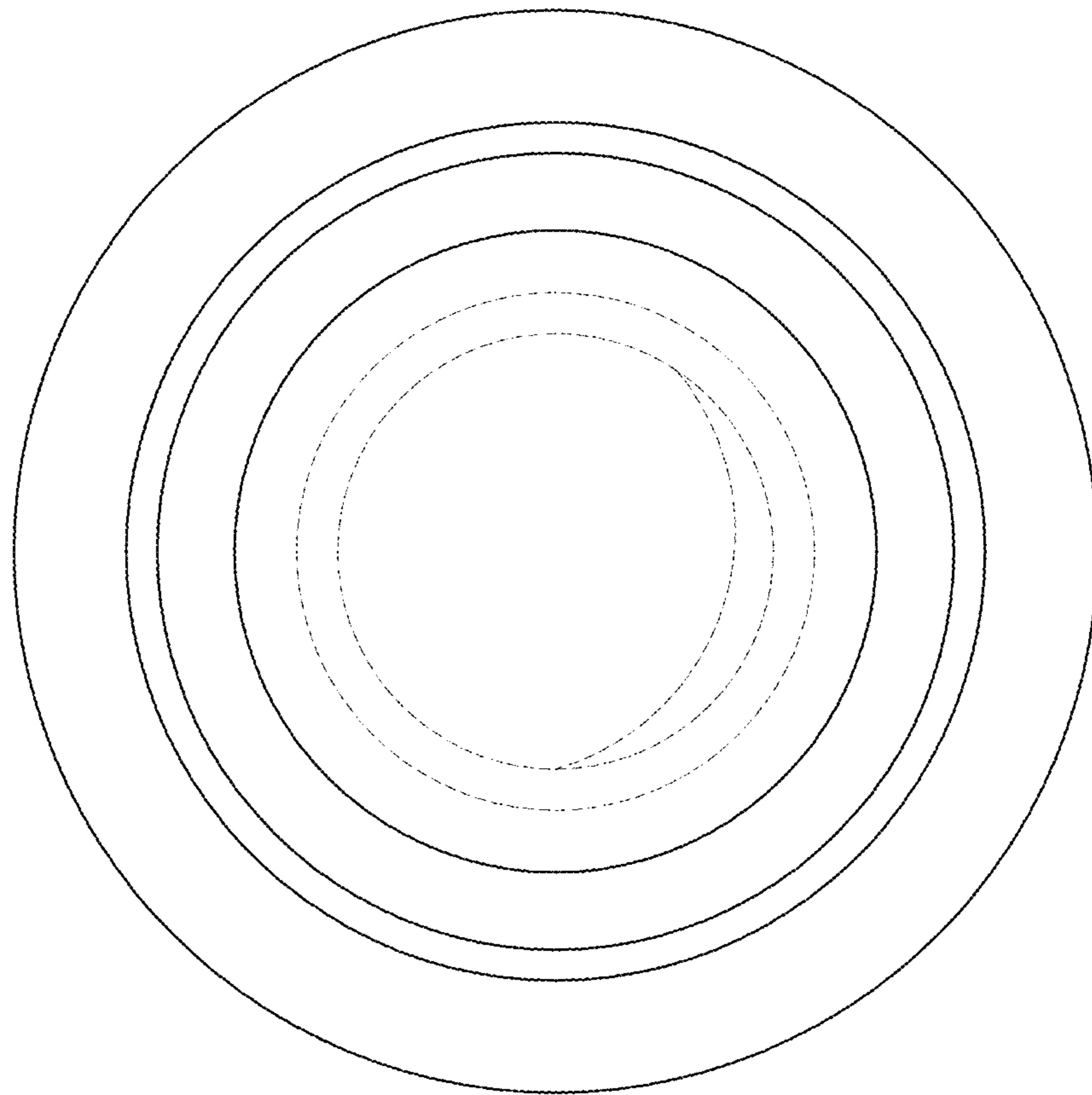


FIG. 7