



US00D834928S

(12) **United States Design Patent** (10) **Patent No.:** **US D834,928 S**  
**Lu et al.** (45) **Date of Patent:** **\*\* Dec. 4, 2018**

(54) **TRACK FOR A SHELVING SYSTEM**

(71) Applicant: **Sumter Easy Home LLC**, Sumter, SC (US)

(72) Inventors: **Zhiqiang Lu**, Ontario, CA (US);  
**Milton Ruiz**, Germantown, TN (US)

(73) Assignee: **Sumter Easy Home LLC.**, Sumter, SC (US)

(\*\*) Term: **15 Years**

(21) Appl. No.: **29/615,648**

(22) Filed: **Aug. 30, 2017**

(51) **LOC (11) Cl.** ..... **08-05**

(52) **U.S. Cl.**  
USPC ..... **D8/381**

(58) **Field of Classification Search**  
USPC ..... 211/94.01; D8/349, 354, 377, 381;  
248/225.01, 243; D25/119–125  
CPC ..... A47B 57/30; A47B 96/00  
See application file for complete search history.

(56) **References Cited**

U.S. PATENT DOCUMENTS

D230,116 S *	1/1974	Beams	.....	D8/381
6,669,154 B1 *	12/2003	Remmers	.....	A47B 57/30 248/220.21
D526,887 S *	8/2006	Remmers	.....	D8/373
D543,094 S *	5/2007	Remmers	.....	D8/377
D592,945 S *	5/2009	Mahan	.....	D8/381
D605,930 S *	12/2009	Piersant	.....	D8/381
D668,945 S *	10/2012	Fernandez	.....	D8/377
D714,624 S *	10/2014	Cayouette	.....	D8/381

\* cited by examiner

*Primary Examiner* — Lakiya G Rogers

*Assistant Examiner* — Harold E Blackwell, II

(74) *Attorney, Agent, or Firm* — WPAT, P.C, Intellectual Property Attorneys; Anthony King

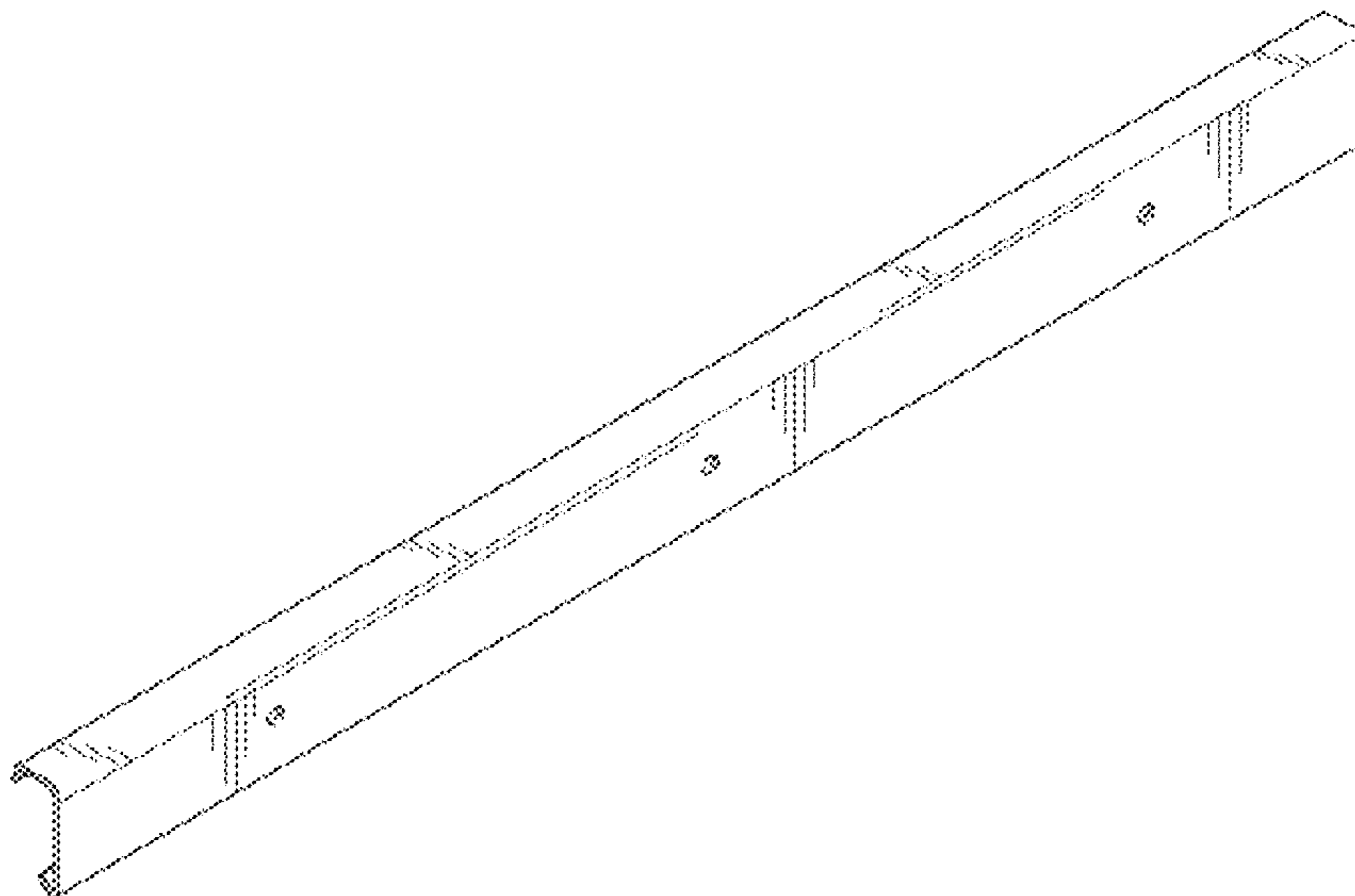
(57) **CLAIM**

The ornamental design for a track for a shelving system, as shown and described.

**DESCRIPTION**

FIG. 1 is a top front perspective view of a track for a shelving system of the present invention;  
FIG. 2 is a top rear perspective view of the track for a shelving system of FIG. 1;  
FIG. 3 is a bottom rear perspective view of the track for a shelving system of FIG. 1;  
FIG. 4 is rear view of the track for a shelving system of FIG. 1;  
FIG. 5 is a front view of the track for a shelving system of FIG. 1;  
FIG. 6 is a front elevation view of the track for a shelving system of FIG. 1;  
FIG. 7 is a bottom plan view of the track for a shelving system of FIG. 1;  
FIG. 8 is a right side elevation view of the track for a shelving system of FIG. 1; and,  
FIG. 9 is a left side elevation view of the track for a shelving system of FIG. 1.  
The broken lines in the drawings illustrate portions of the track for a shelving system which form no part of the claimed design.

**1 Claim, 6 Drawing Sheets**



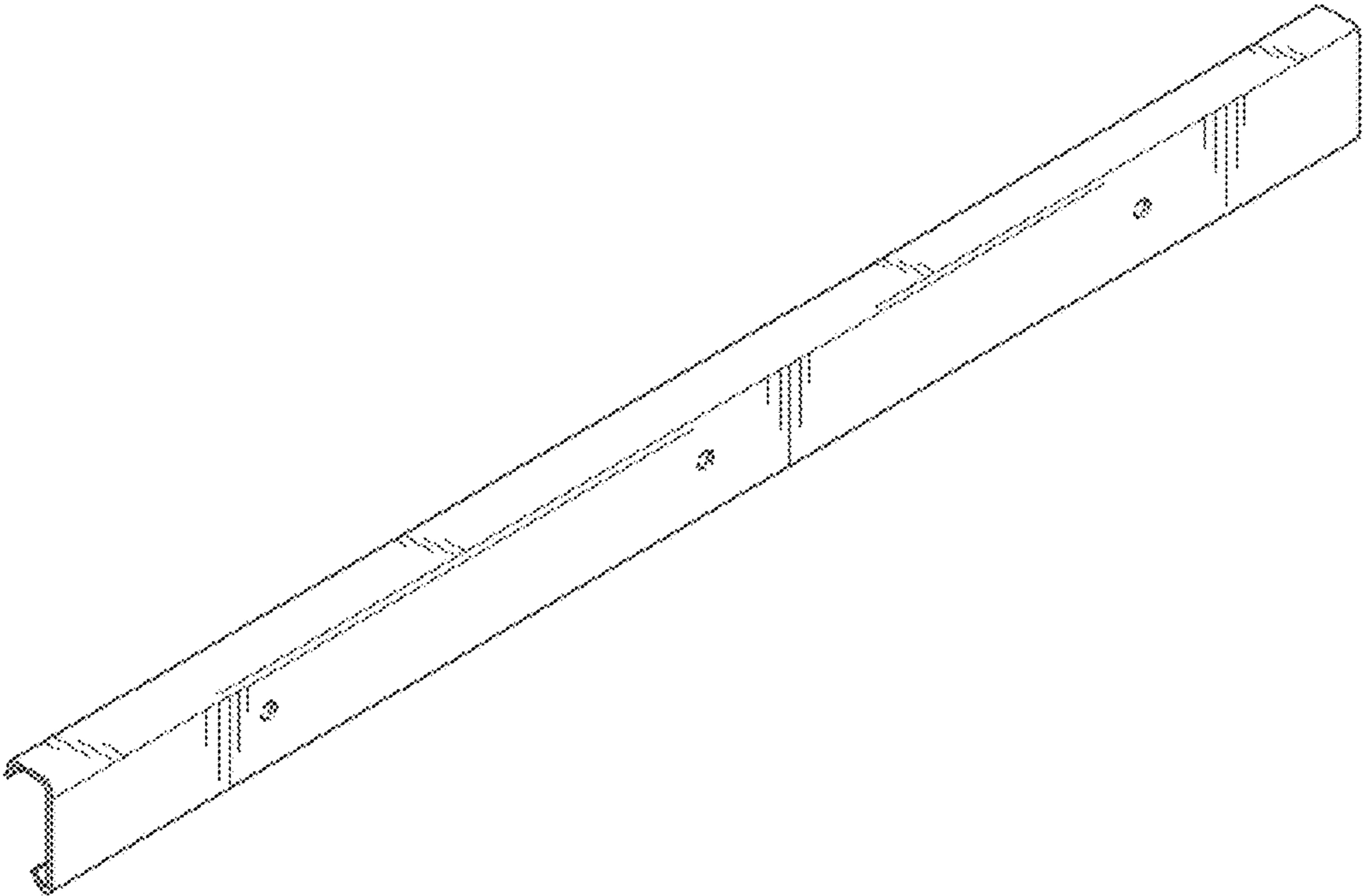


FIGURE 1

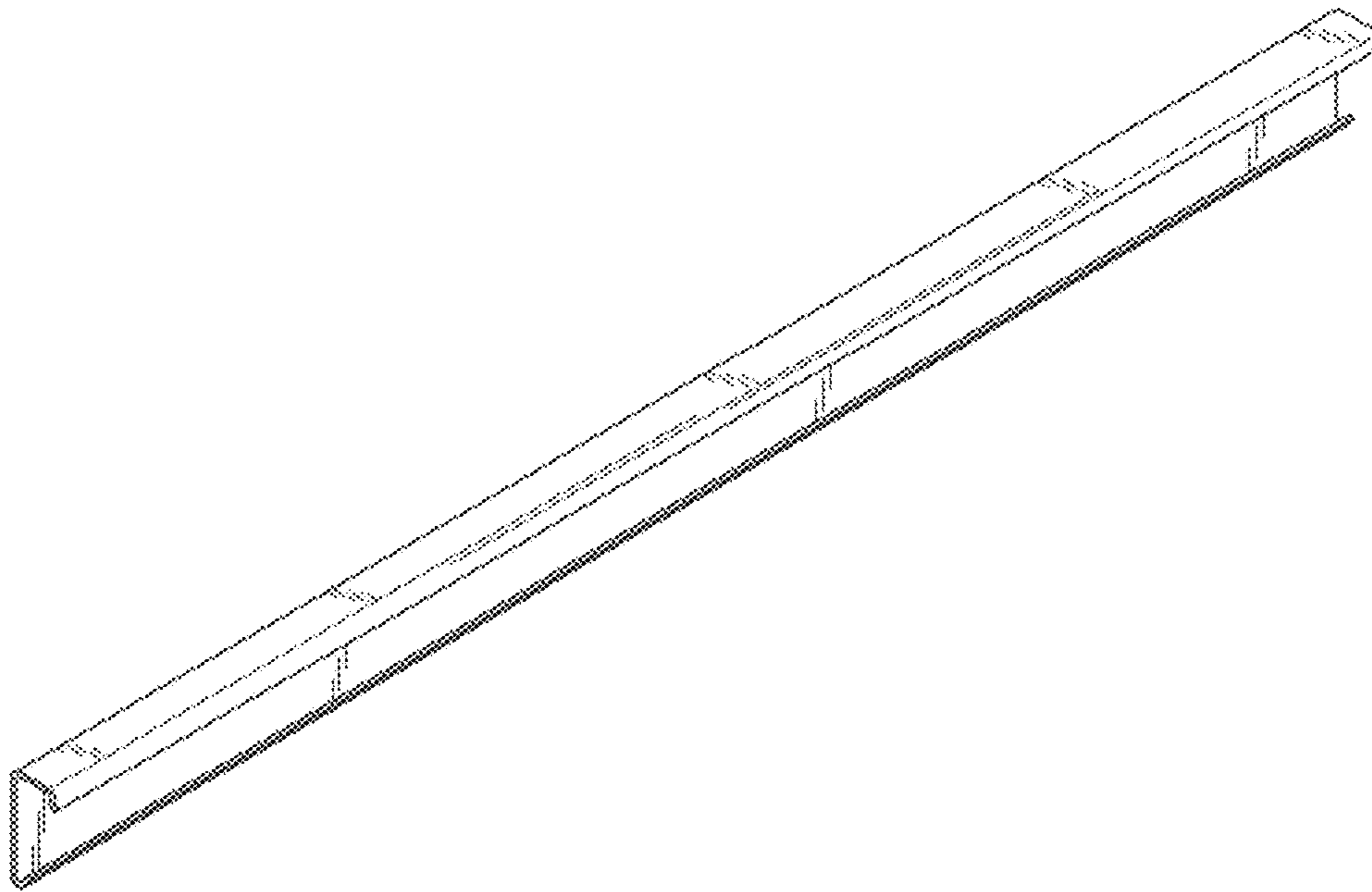


FIGURE 2

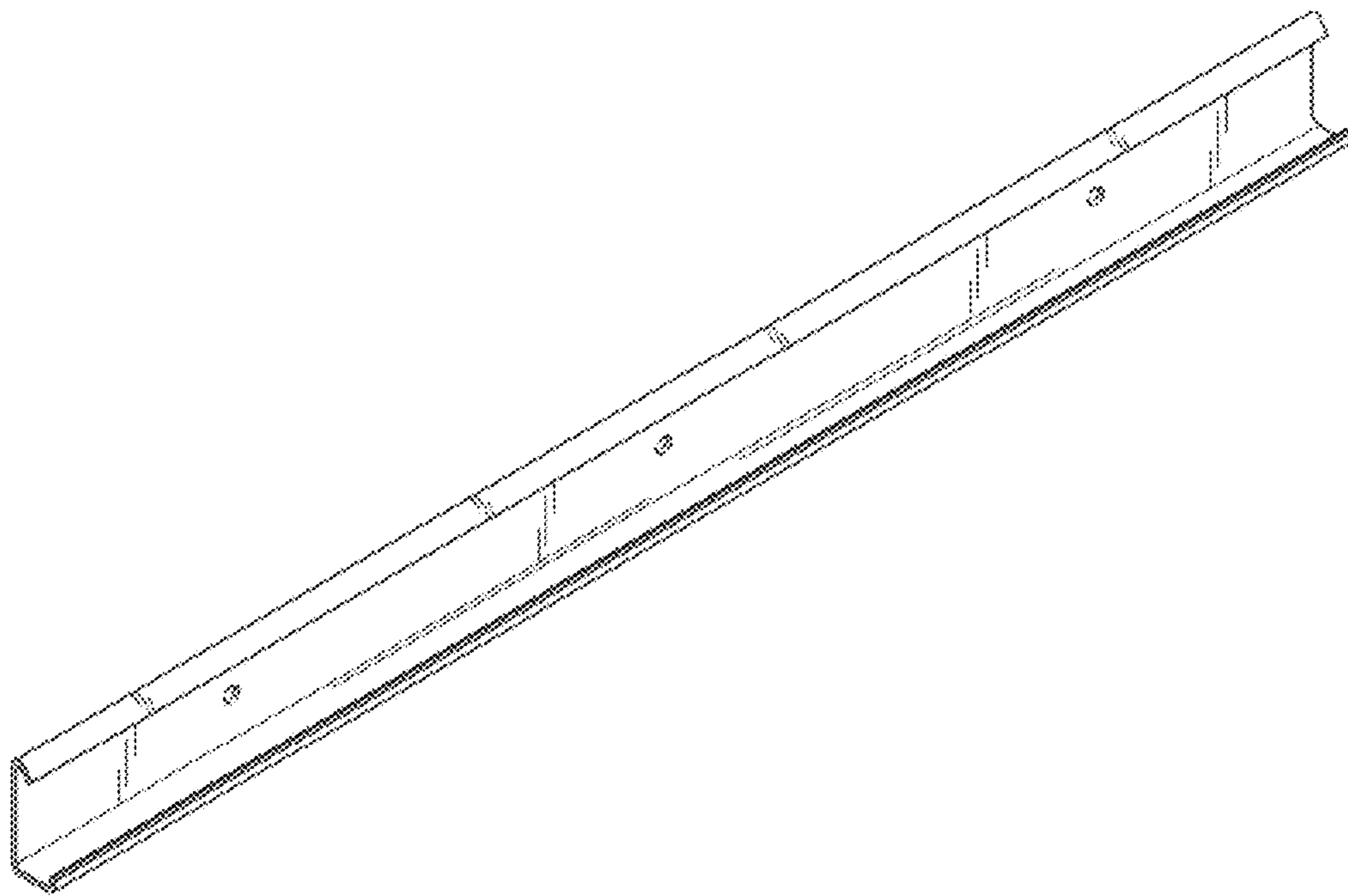


FIGURE 3

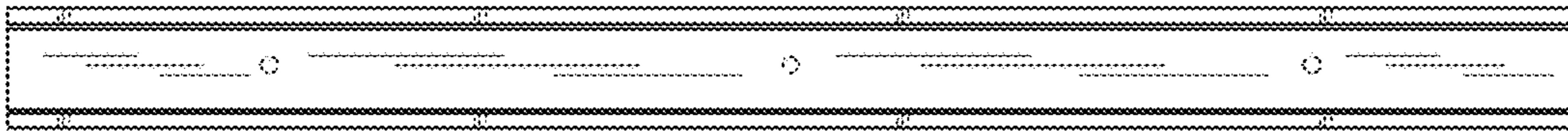


FIGURE 4



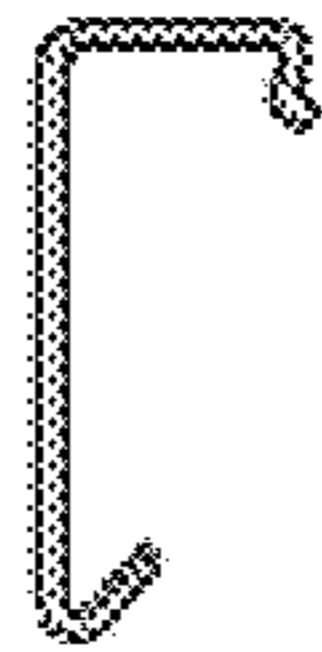
FIGURE 5



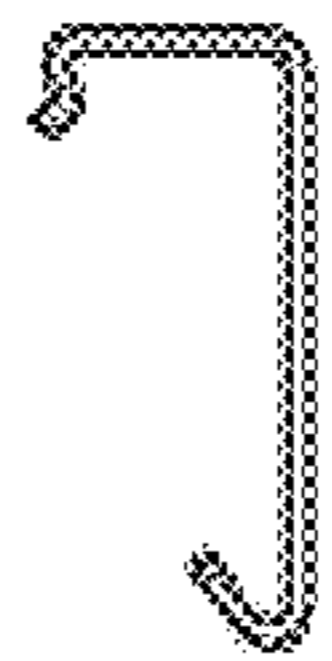
FIGURE 6



FIGURE 7



**FIGURE 8**



**FIGURE 9**