



US00D834927S

(12) **United States Design Patent** (10) **Patent No.:** **US D834,927 S**  
**Hanley** (45) **Date of Patent:** **\*\* \*Dec. 4, 2018**

- (54) **ROD BRACKET**
- (71) Applicant: **Kenney Manufacturing Company**,  
Warwick, RI (US)
- (72) Inventor: **Michael P. Hanley**, Smithfield, RI (US)
- (73) Assignee: **Kenney Manufacturing Company**,  
Warwick, RI (US)
- (\*) Notice: This patent is subject to a terminal disclaimer.
- (\*\*) Term: **15 Years**
- (21) Appl. No.: **29/608,880**
- (22) Filed: **Jun. 27, 2017**

**Related U.S. Application Data**

- (63) Continuation-in-part of application No. 15/488,781, filed on Apr. 17, 2017.
- (51) **LOC (11) Cl.** ..... **08-05**
- (52) **U.S. Cl.**  
USPC ..... **D8/363**
- (58) **Field of Classification Search**  
USPC ..... D8/323, 354, 355, 376, 373, 371, 370,  
D8/372, 363; D6/323, 550  
CPC ..... A47H 1/142; A47H 1/122; A47H 13/01;  
A47H 1/022; A47H 1/102; A47H 1/02;  
A47H 2023/003; A47H 1/14; A47H 1/00;  
A47H 2001/006; A47H 2001/021; A47H  
2001/0215  
See application file for complete search history.

(56) **References Cited**

**U.S. PATENT DOCUMENTS**

- 827,627 A \* 7/1906 Graham ..... A47H 1/13  
248/254
- 969,051 A \* 8/1910 Garraway ..... A47H 1/13  
248/254

- D60,744 S \* 3/1922 Weyman ..... D8/355
- D75,598 S \* 6/1928 Priest ..... D8/363
- D76,096 S \* 8/1928 Vermillion ..... D8/363
- D76,097 S \* 8/1928 Vermillion ..... D8/363
- 2,224,008 A 12/1940 Auslander
- 2,679,373 A 5/1954 Henley
- 2,859,879 A 11/1958 Rogers et al.
- 2,908,471 A 10/1959 Hollansworth
- 3,669,395 A 6/1972 Gehrke
- 3,912,211 A 10/1975 Topf
- D244,668 S \* 6/1977 Tegner ..... D6/324
- D259,241 S \* 5/1981 Lynch ..... D8/363
- 4,325,528 A 4/1982 Martin
- D279,450 S \* 7/1985 Chap ..... D6/325
- 4,555,432 A 11/1985 Bossons
- D281,575 S \* 12/1985 Chap ..... D6/325
- D285,410 S 9/1986 Webber
- D290,931 S 7/1987 Powell

(Continued)

*Primary Examiner* — Janice Hallmark

*Assistant Examiner* — Eliza Z Bennett-Hattan

(74) *Attorney, Agent, or Firm* — Adler Pollock & Sheehan P.C.; Daniel J. Holmader, Esq.

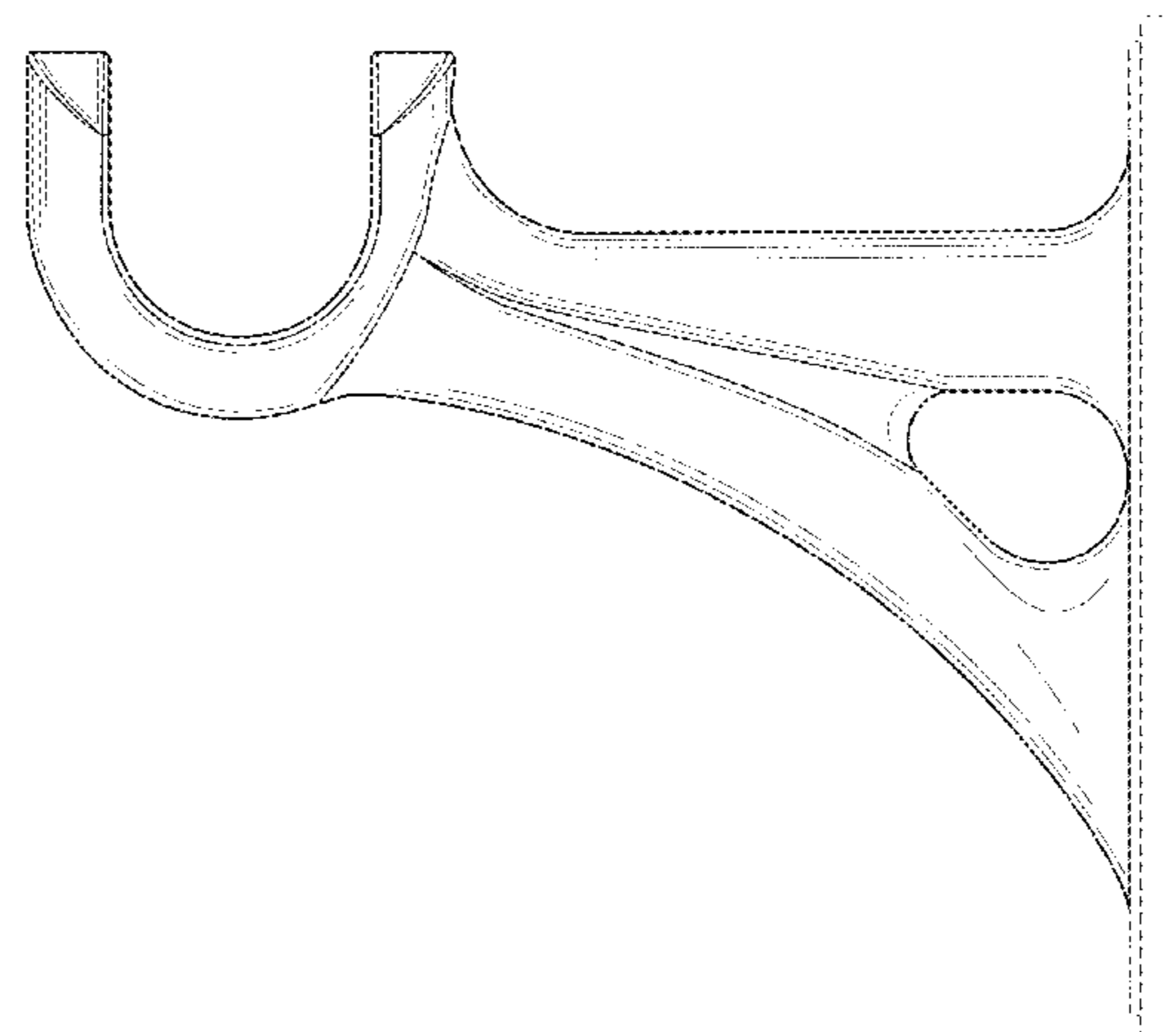
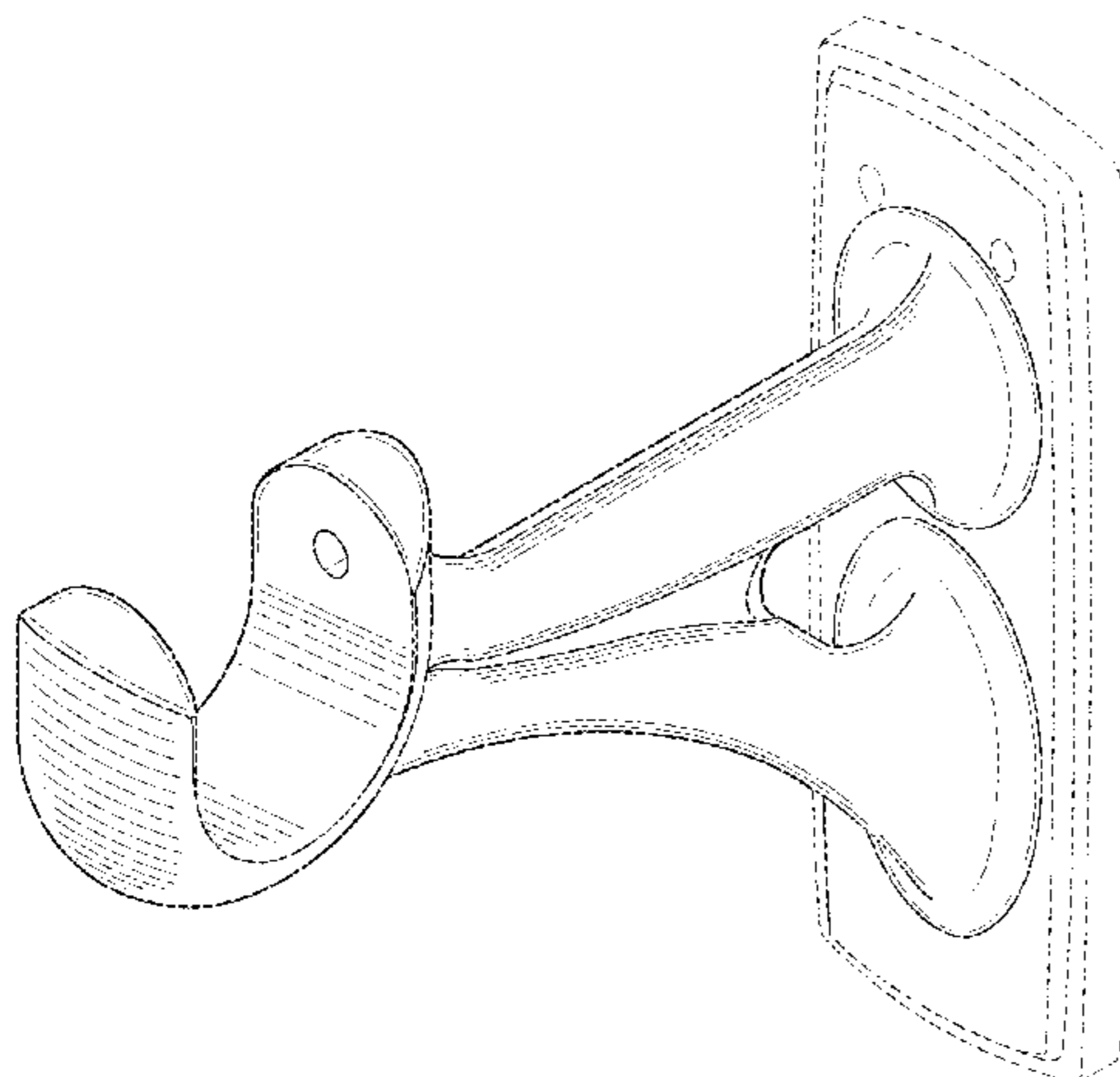
(57) **CLAIM**

The ornamental design for a rod bracket, as shown and described.

**DESCRIPTION**

FIG. 1 is a perspective view of a rod bracket;  
 FIG. 2 is a front view thereof;  
 FIG. 3 is a rear view thereof;  
 FIG. 4 is a right side view thereof;  
 FIG. 5 is a left side view thereof;  
 FIG. 6 is a top view thereof; and,  
 FIG. 7 is a bottom view thereof.  
 The elements depicted in broken lines in the various figures are included for environmental purposes only, and form no part of the claimed design.

**1 Claim, 7 Drawing Sheets**



(56)

**References Cited**

U.S. PATENT DOCUMENTS

D316,031	S	*	4/1991	Goodman	.....	D8/363
5,069,412	A		12/1991	Jacob		
D327,642	S		7/1992	Foubister		
5,564,666	A		10/1996	Pfeil		
D389,035	S	*	1/1998	Smiley	.....	D8/363
6,216,889	B1		4/2001	Chang		
D455,334	S		4/2002	Ivankovic		
6,439,520	B1		8/2002	Johnson		
D517,402	S		3/2006	Cairns		
7,198,088	B2		4/2007	McMenamin et al.		
7,370,839	B2		5/2008	Putman		
D605,932	S		12/2009	Piersant		
D622,578	S		8/2010	Kollman		
8,056,873	B1		11/2011	Hanley et al.		
8,231,093	B2		7/2012	Tran		
D678,754	S		3/2013	Burr		
8,678,068	B1		3/2014	Hobart et al.		
D707,535	S	*	6/2014	Burr	.....	D8/363
8,740,171	B2		6/2014	Crescenzo		

\* cited by examiner

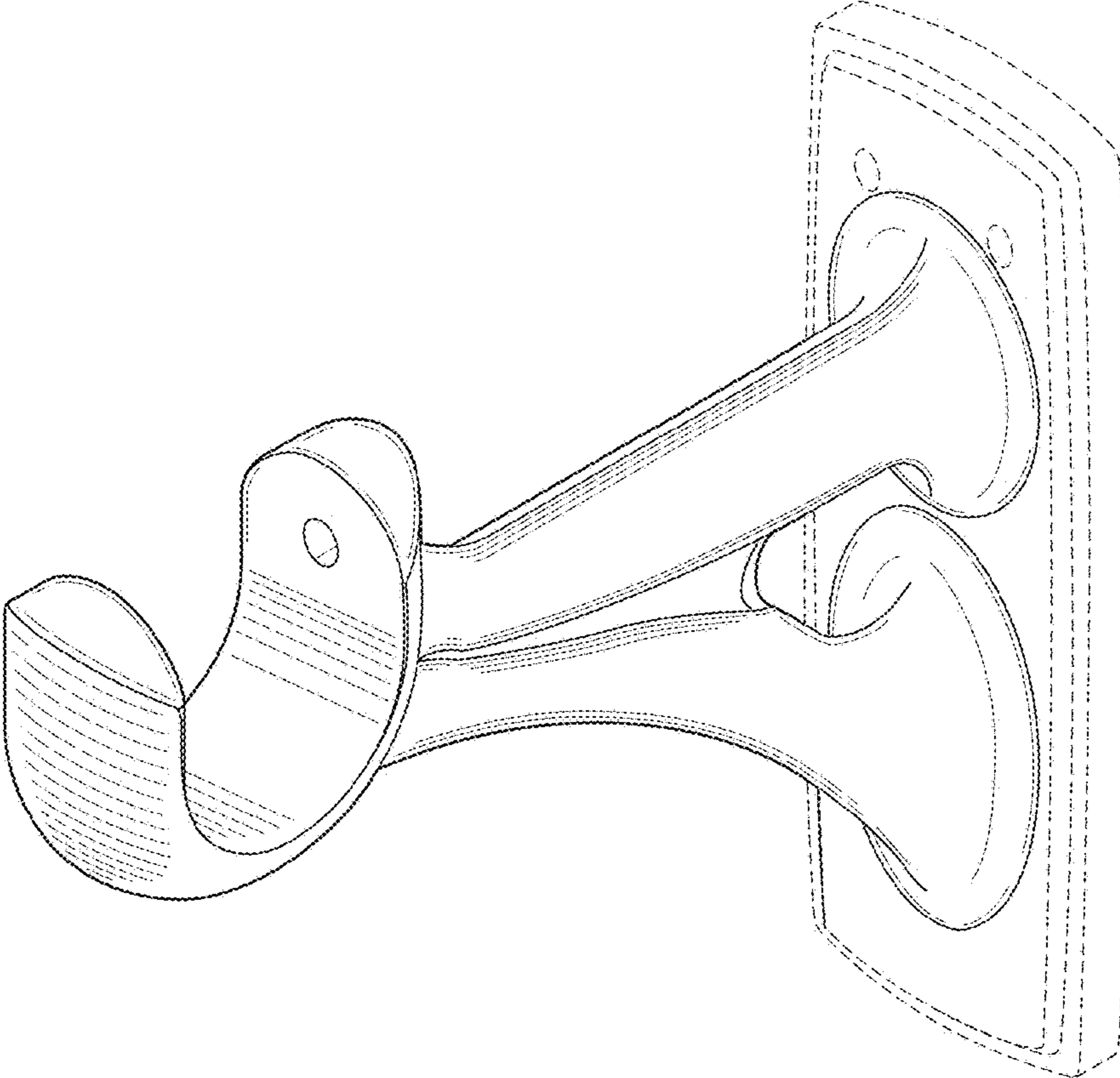


FIG. 1

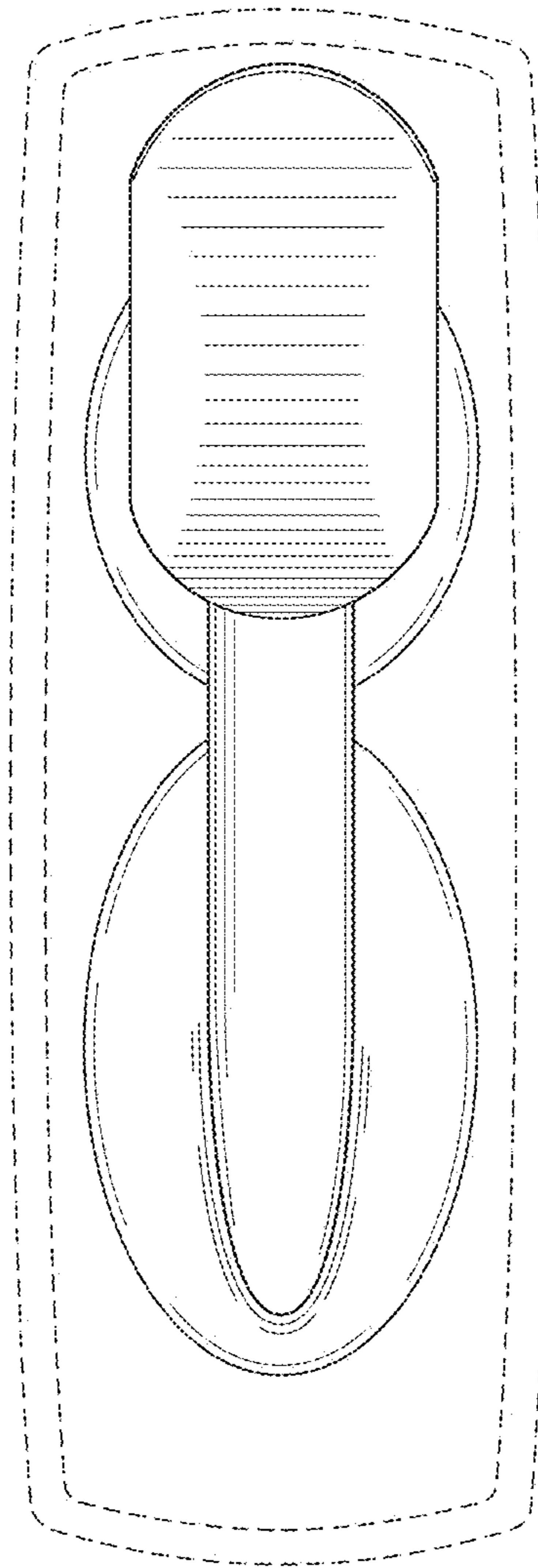


FIG. 2



FIG. 3

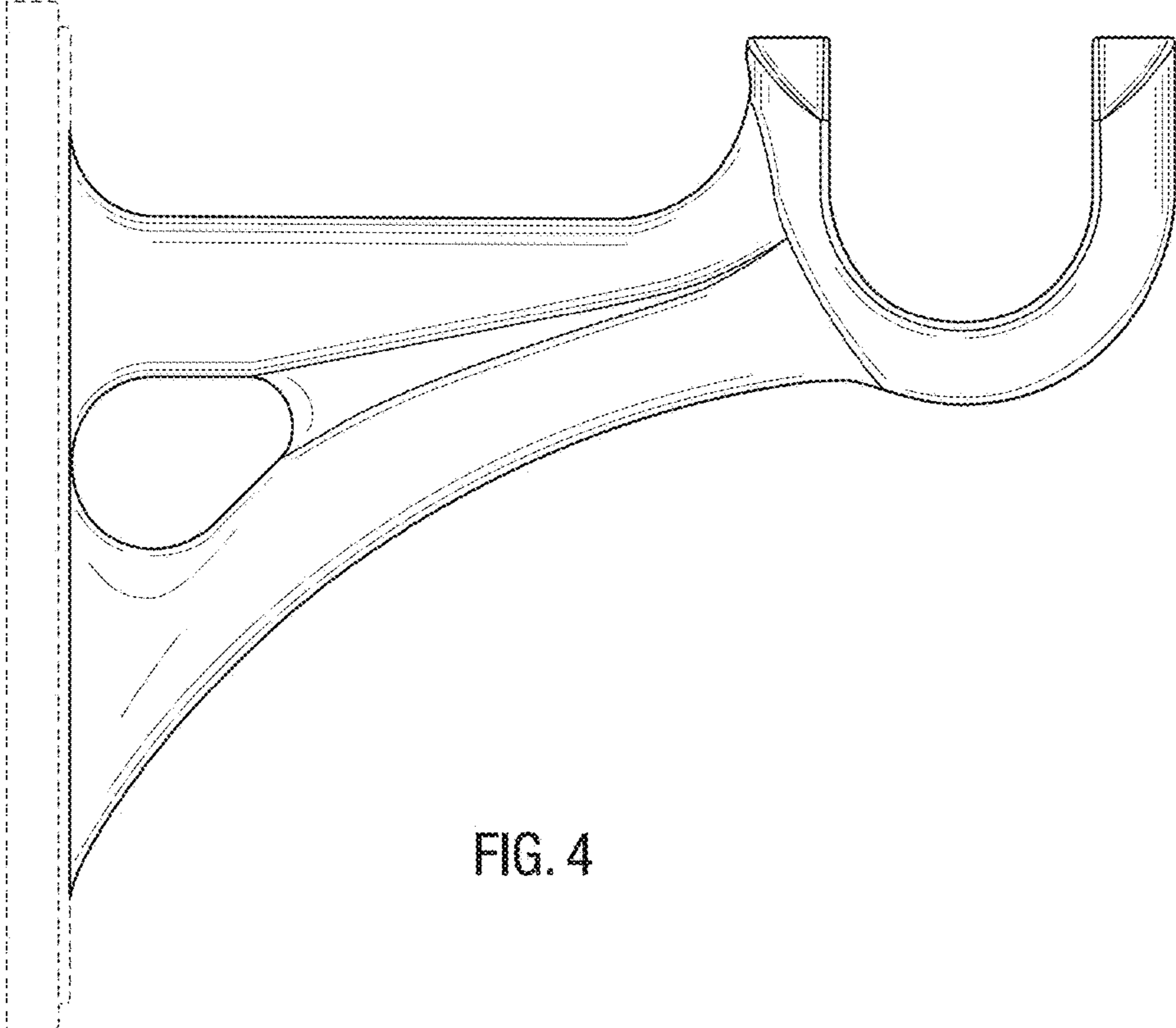


FIG. 4



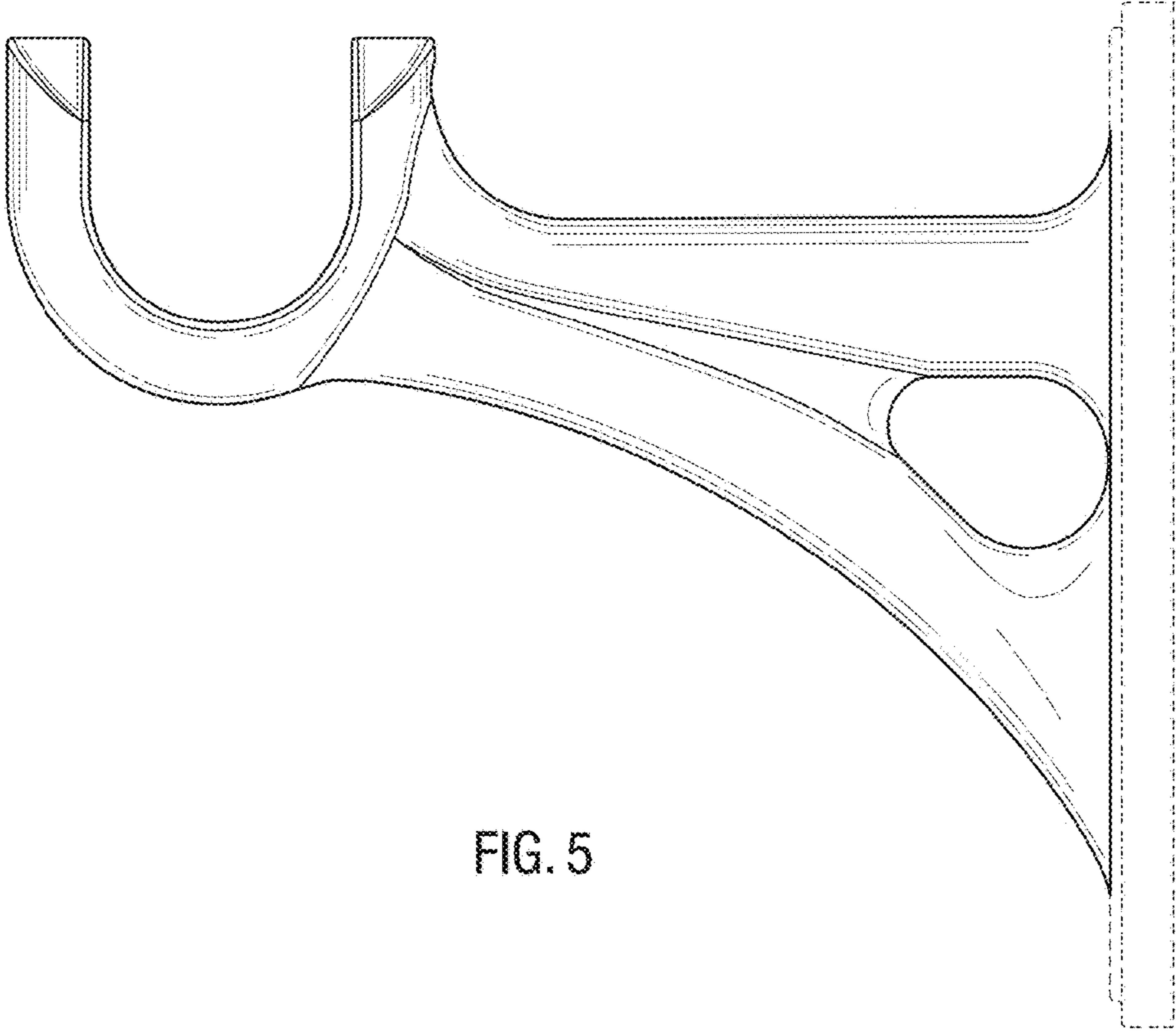


FIG. 5

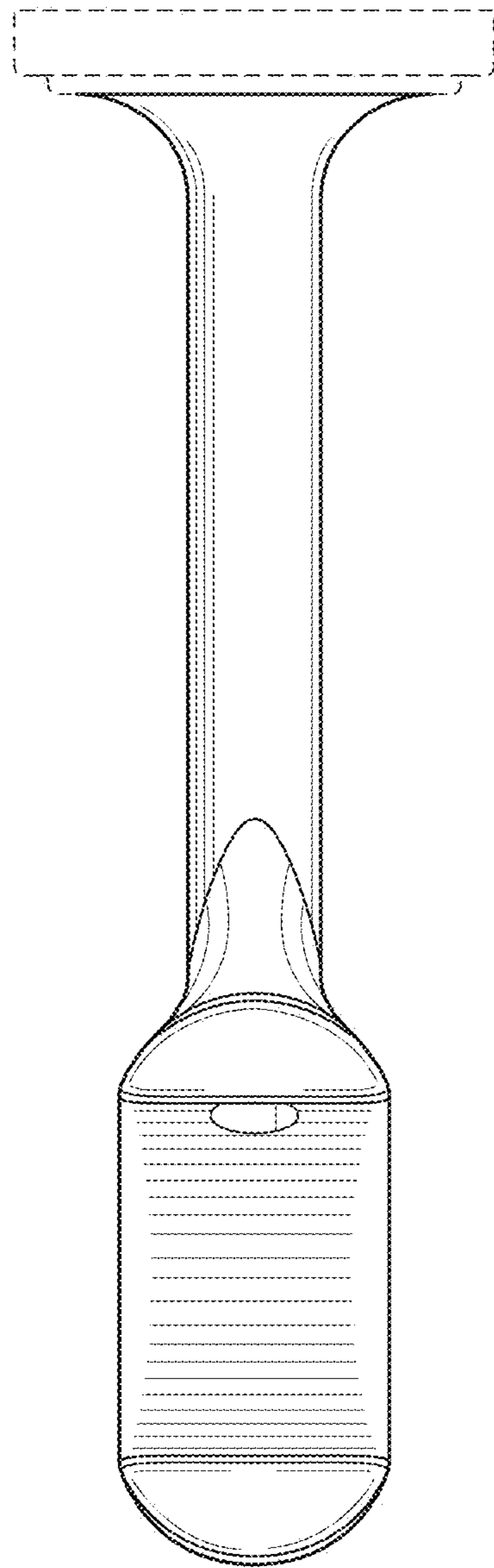


FIG. 6



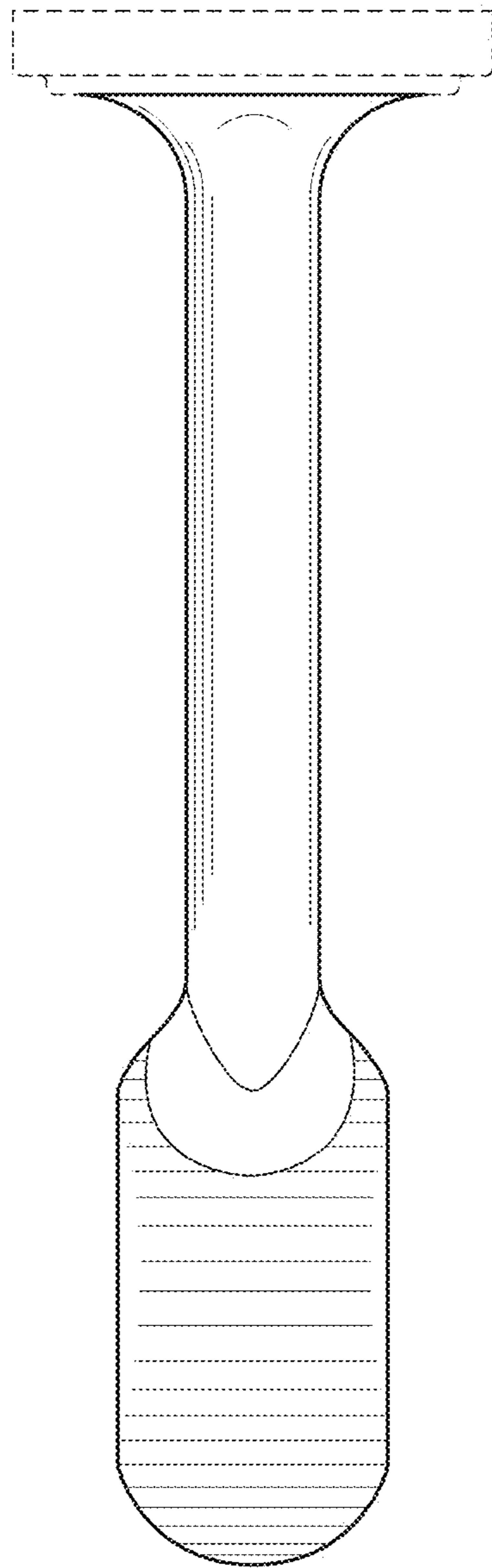


FIG. 7