



US00D834926S

(12) **United States Design Patent** (10) **Patent No.:** **US D834,926 S**
Hanley (45) **Date of Patent:** **** *Dec. 4, 2018**

(54) **ROD BRACKET**

(71) Applicant: **Kenney Manufacturing Company,**
Warwick, RI (US)

(72) Inventor: **Michael P. Hanley,** Smithfield, RI (US)

(73) Assignee: **Kenney Manufacturing Company,**
Warwick, RI (US)

(*) Notice: This patent is subject to a terminal disclaimer.

(**) Term: **15 Years**

(21) Appl. No.: **29/608,879**

(22) Filed: **Jun. 27, 2017**

Related U.S. Application Data

(63) Continuation-in-part of application No. 15/488,781,
filed on Apr. 17, 2017.

(51) **LOC (11) Cl.** **08-09**

(52) **U.S. Cl.**
USPC **D8/363**

(58) **Field of Classification Search**
USPC D8/323, 354, 355, 376, 373, 371, 370,
D8/372, 363; D6/323, 550
CPC A47H 1/142; A47H 1/122; A47H 13/01;
A47H 1/022; A47H 1/102; A47H 1/02;
A47H 2023/003; A47H 1/14; A47H 1/00;
A47H 2001/006; A47H 2001/021; A47H
2001/0215
See application file for complete search history.

(56) **References Cited**

U.S. PATENT DOCUMENTS

827,627 A * 7/1906 Graham A47H 1/13
248/254
969,051 A * 8/1910 Garraway et al. A47H 1/13
248/254

D60,744 S * 3/1922 Weyman D8/355
D75,598 S * 6/1928 Priest D8/363
D76,096 S * 8/1928 Vermillion D8/363
D76,097 S * 8/1928 Vermillion D8/363
2,224,008 A 12/1940 Auslander
2,679,373 A 5/1954 Henley
2,859,879 A 11/1958 Rogers et al.
2,908,471 A 10/1959 Hollansworth
3,669,395 A 6/1972 Gehrke
3,912,211 A 10/1975 Topf
D244,668 S * 6/1977 Tegner D6/324
D259,241 S * 5/1981 Lynch D8/363
4,325,528 A 4/1982 Martin
D279,450 S * 7/1985 Chap D6/325
4,555,432 A 11/1985 Bossons
D281,575 S * 12/1985 Chap D6/325
D285,410 S 9/1986 Webber
D290,931 S 7/1987 Powell

(Continued)

Primary Examiner — Janice Hallmark

Assistant Examiner — Eliza Z Bennett-Hattan

(74) *Attorney, Agent, or Firm* — Adler Pollock &
Sheehan P.C.; Daniel J. Holmader, Esq.

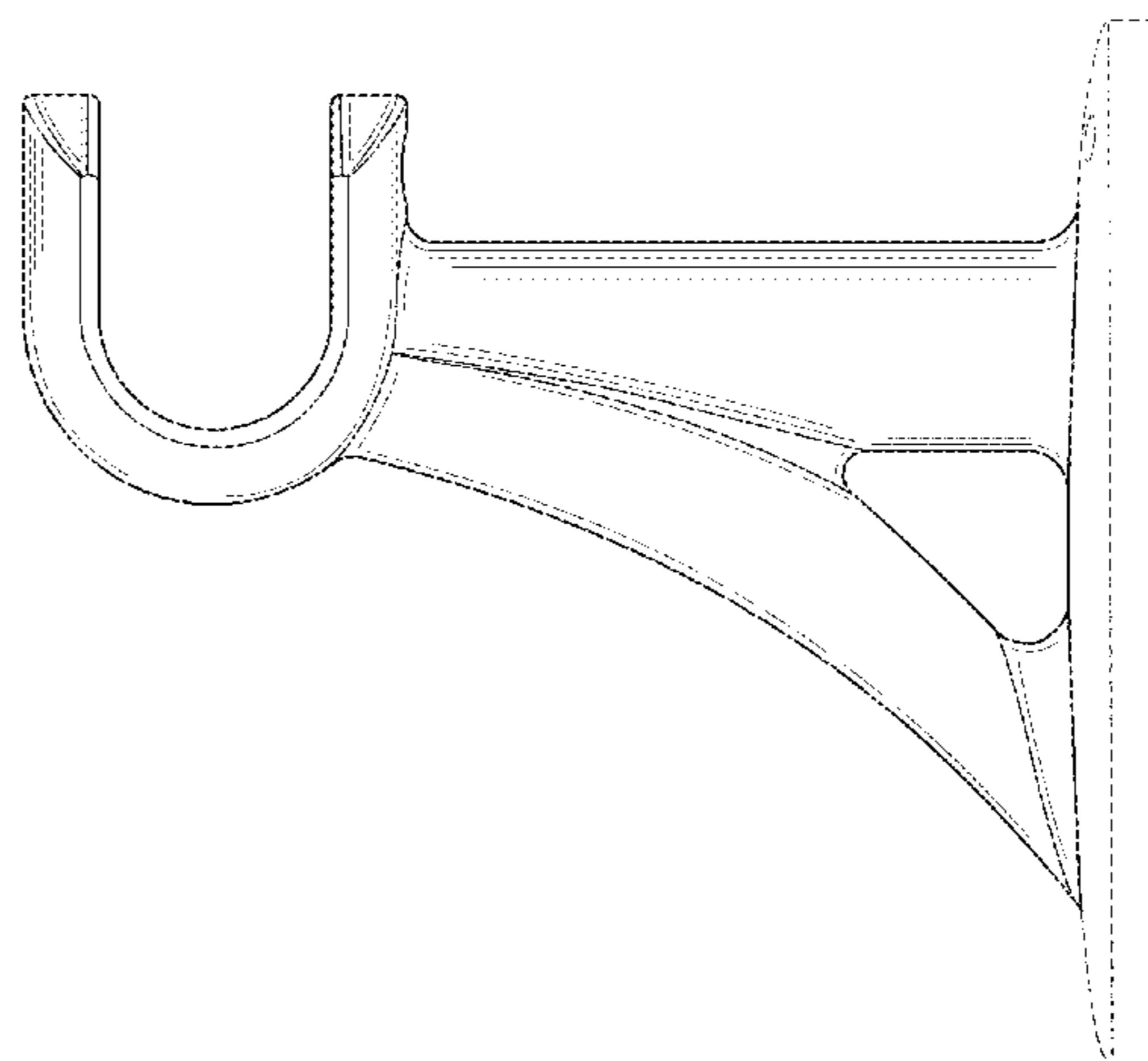
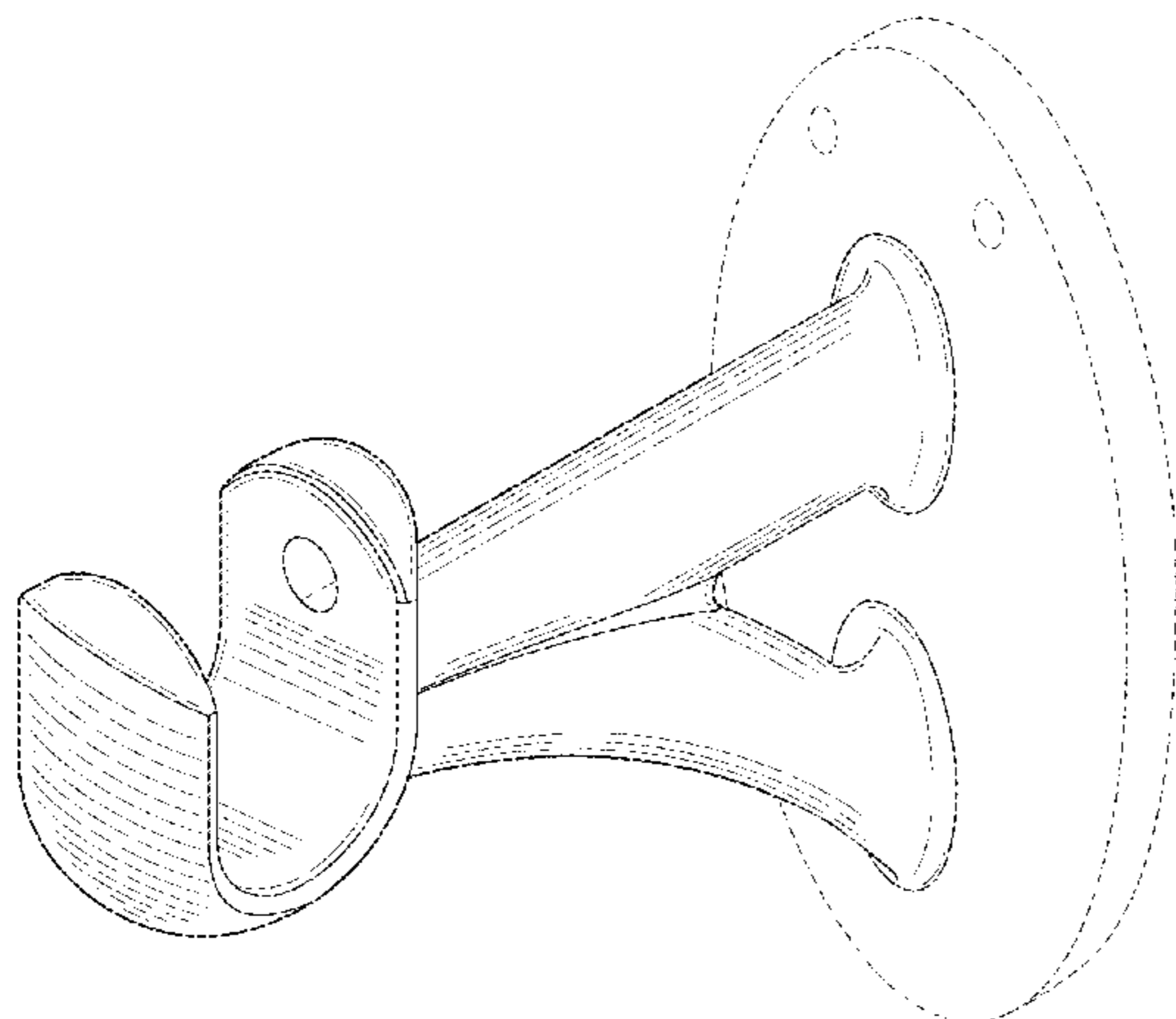
(57) **CLAIM**

The ornamental design for a rod bracket, as shown and described.

DESCRIPTION

FIG. 1 is a perspective view of a rod bracket;
FIG. 2 is a front view thereof;
FIG. 3 is a rear view thereof;
FIG. 4 is a right side view thereof;
FIG. 5 is a left side view thereof;
FIG. 6 is a top view thereof; and,
FIG. 7 is a bottom view thereof.
The elements depicted in broken lines in the various figures are included for environmental purposes only, and form no part of the claimed design.

1 Claim, 7 Drawing Sheets



(56)

References Cited

U.S. PATENT DOCUMENTS

D316,031	S	*	4/1991	Goodman	D8/363
5,069,412	A		12/1991	Jacob		
D327,642	S		7/1992	Foubister		
5,564,666	A		10/1996	Pfeil		
D389,035	S	*	1/1998	Smiley	D8/363
6,216,889	B1		4/2001	Chang		
D455,334	S		4/2002	Ivankovic		
6,439,520	B1		8/2002	Johnson		
D517,402	S		3/2006	Cairns		
7,198,088	B2		4/2007	McMenamin et al.		
7,370,839	B2		5/2008	Putman		
D605,932	S		12/2009	Piersant		
D622,578	S		8/2010	Kollman		
8,056,873	B1		11/2011	Hanley et al.		
8,231,093	B2		7/2012	Tran		
D678,754	S		3/2013	Burr		
8,678,068	B1		3/2014	Hobart et al.		
D707,535	S	*	6/2014	Burr	D8/363
8,740,171	B2		6/2014	Crescenzo		

* cited by examiner

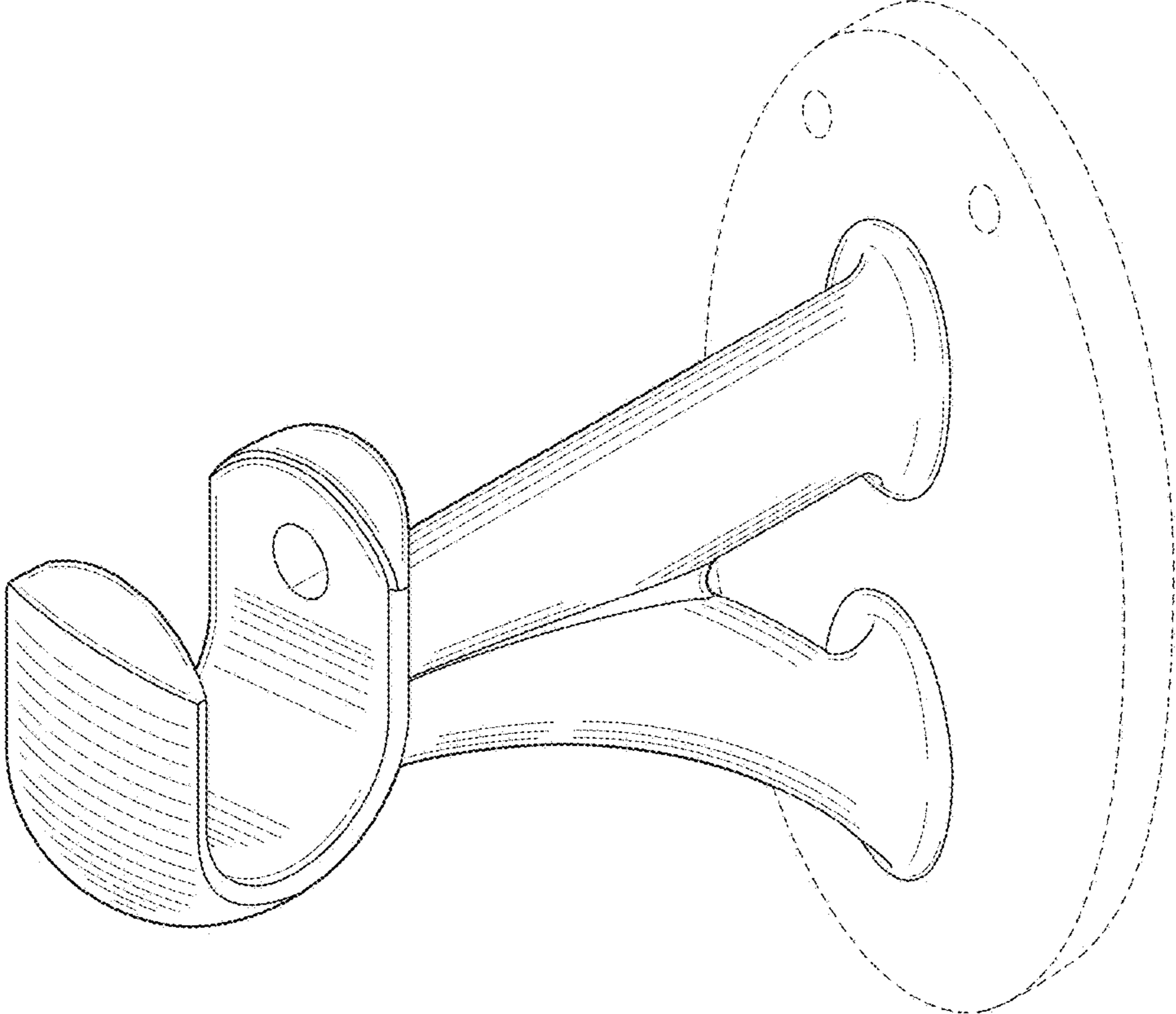


FIG. 1

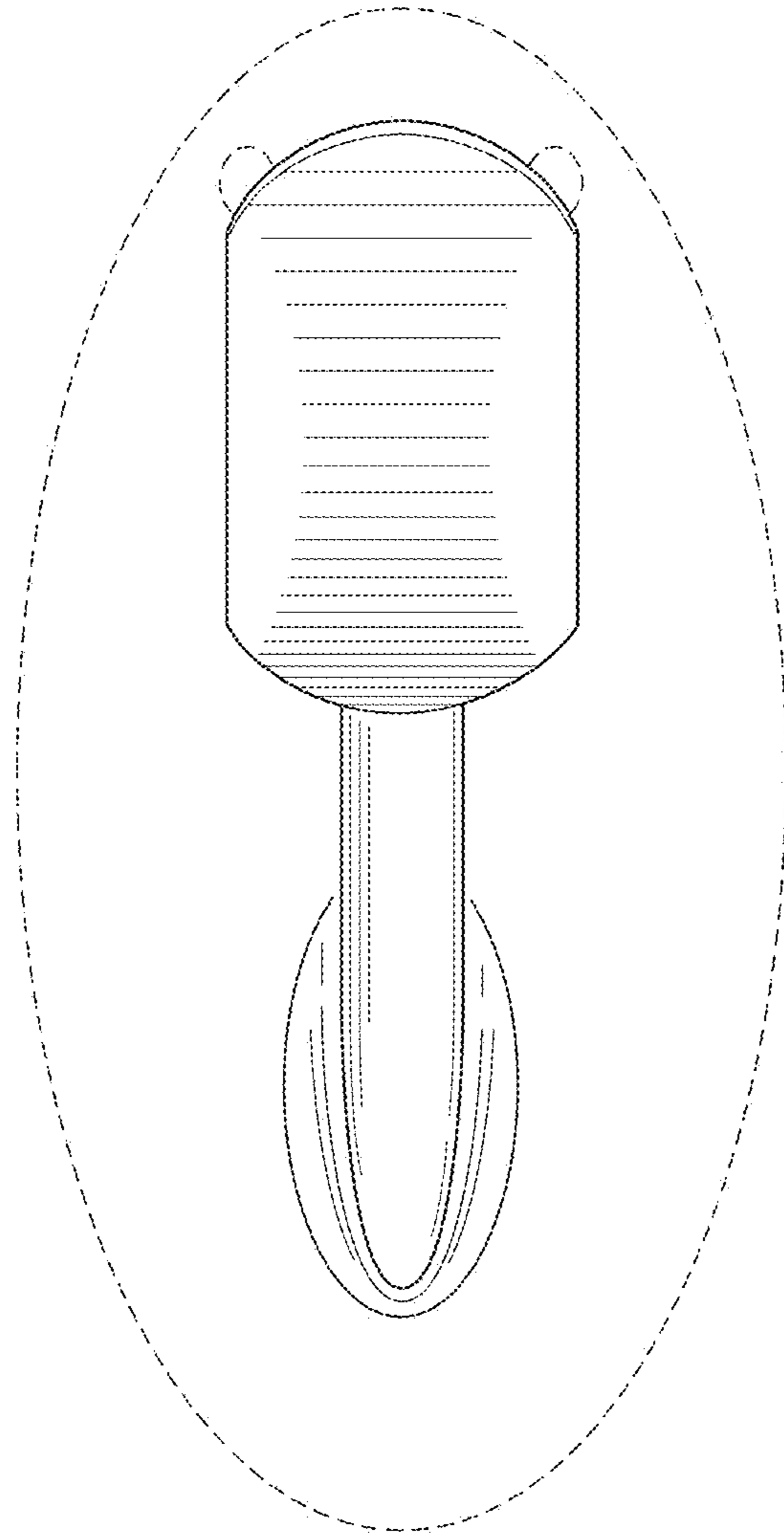


FIG. 2

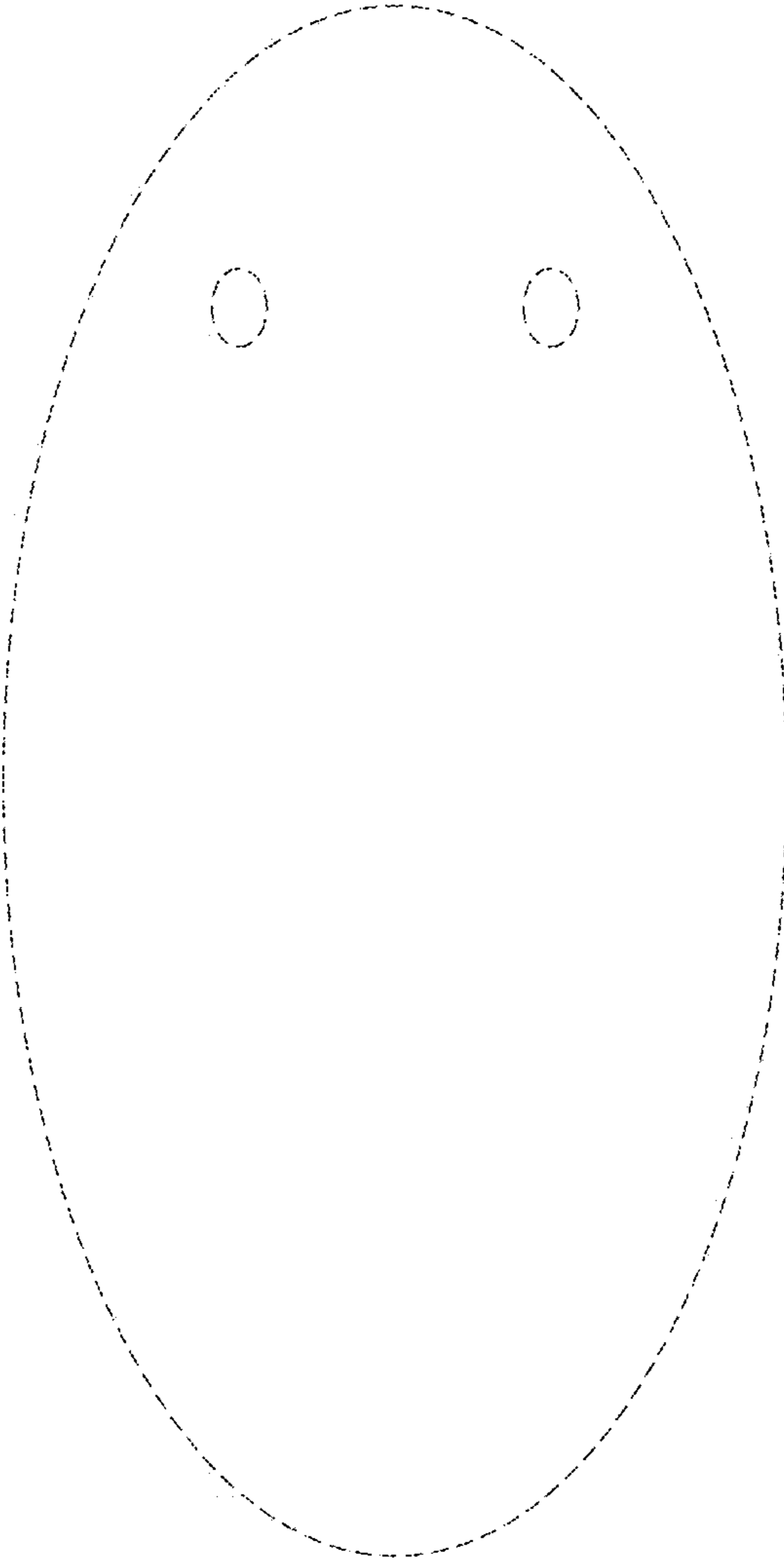


FIG. 3

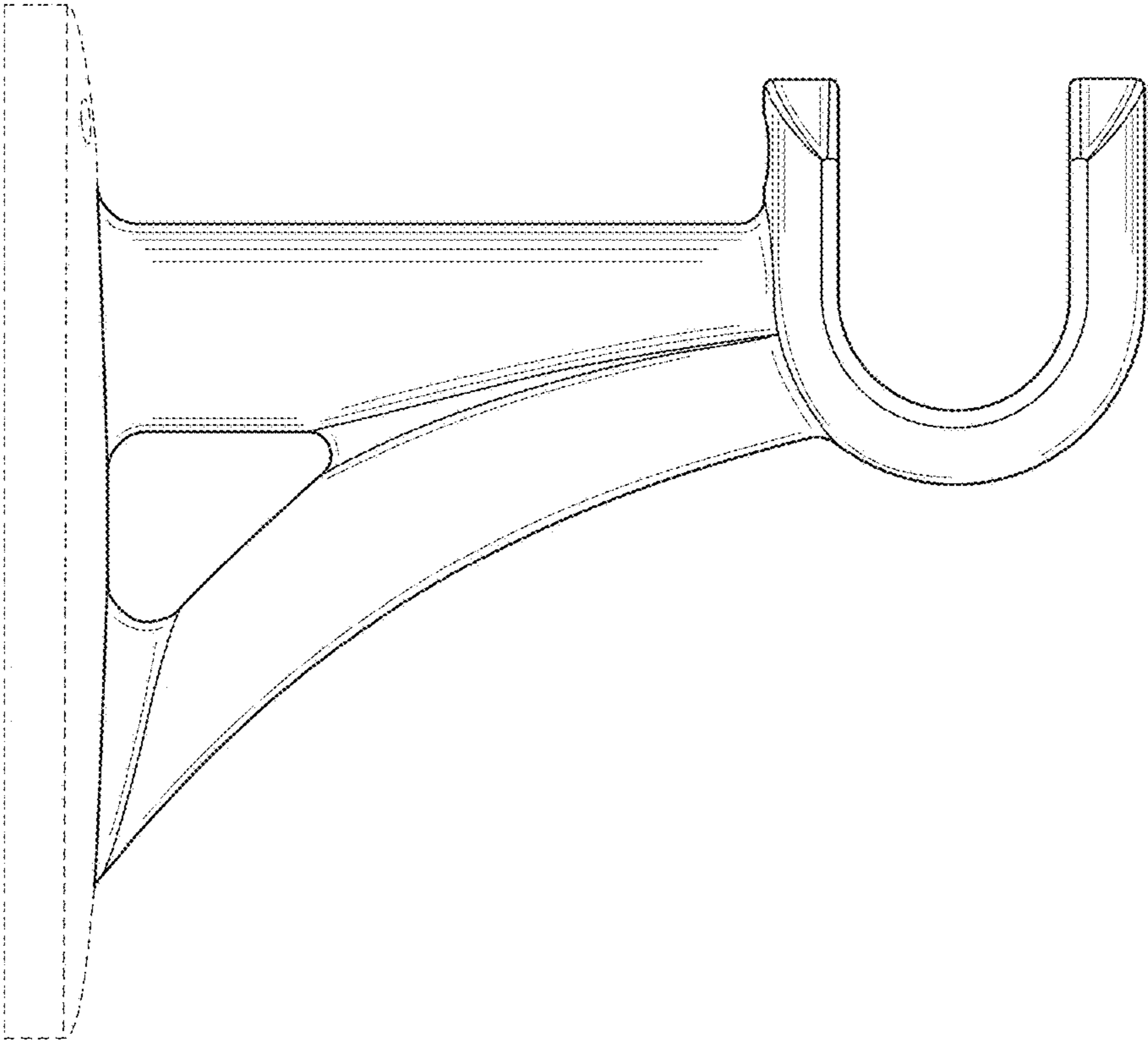


FIG. 4

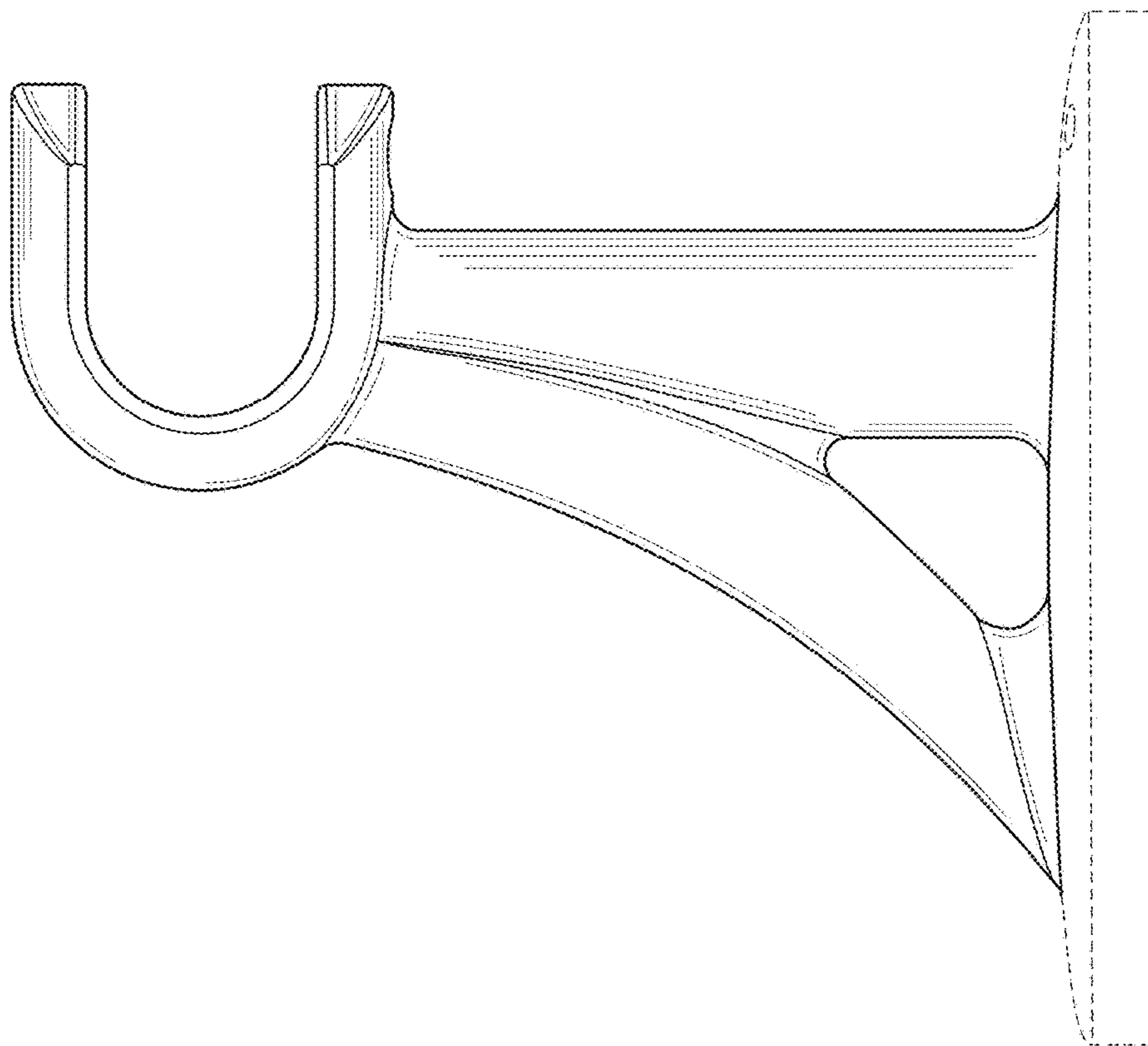


FIG. 5

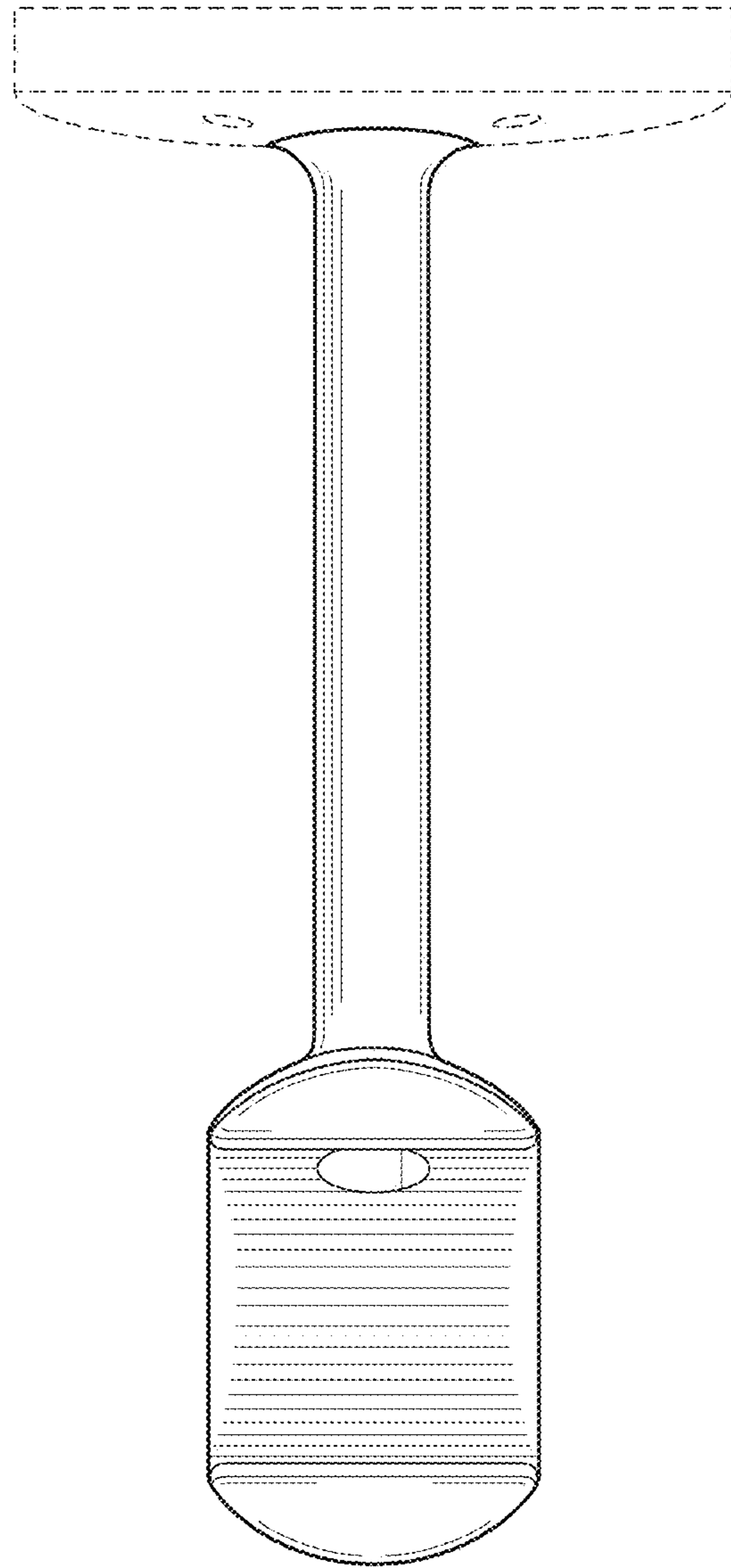


FIG. 6

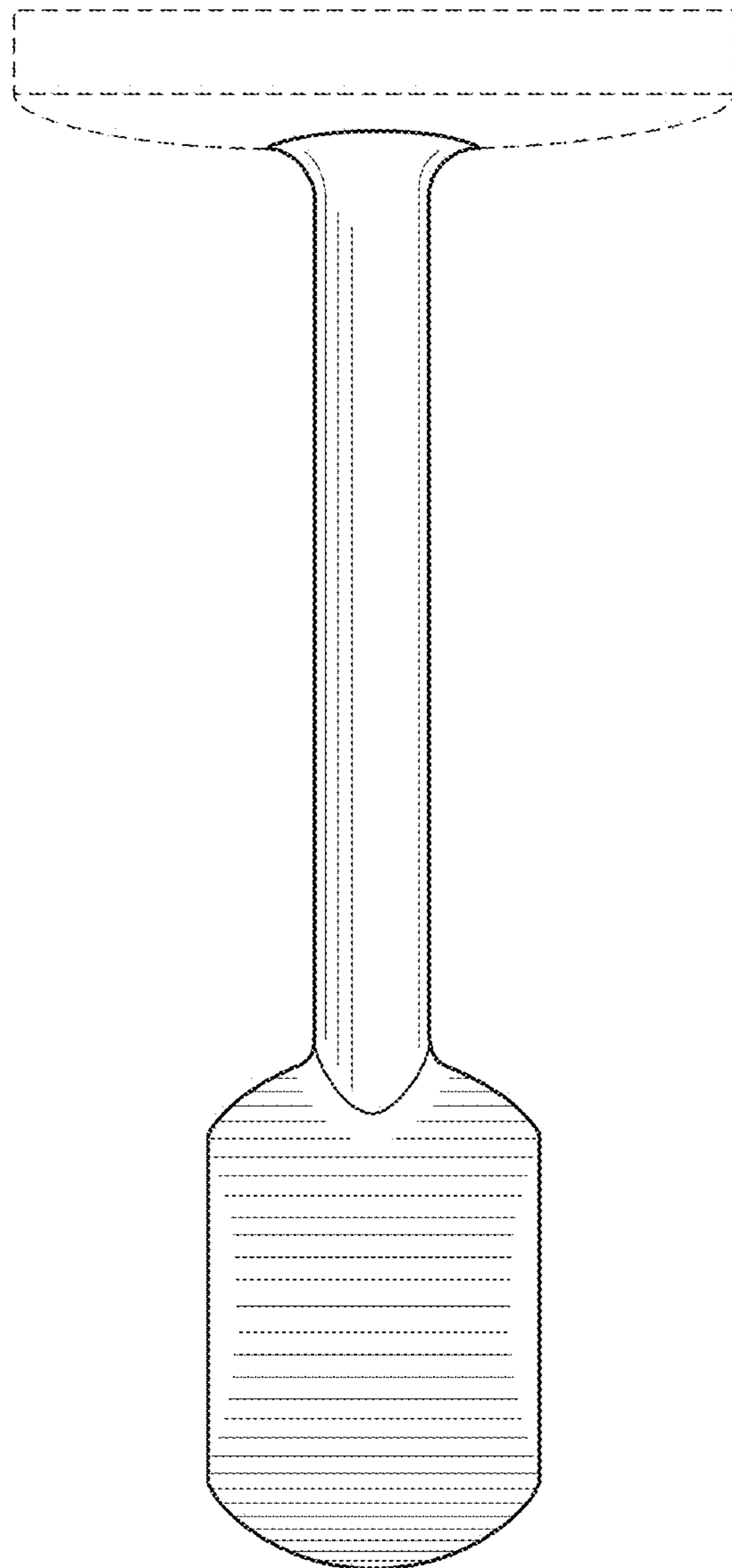


FIG. 7