



US00D834923S

(12) **United States Design Patent** (10) **Patent No.:** **US D834,923 S**
Chrouser et al. (45) **Date of Patent:** **** Dec. 4, 2018**

- (54) **CORD CADDY** 6,206,330 B1 * 3/2001 Oi F16B 37/0842
248/635
- (71) Applicant: **The United States of America As** D488,054 S * 4/2004 Myers D8/356
Represented By The Department of D568,254 S * 5/2008 Patchett D13/155
Veterans Affairs, Washington, DC (US) D569,234 S * 5/2008 Young, IV D13/154
D569,236 S * 5/2008 Young, IV D13/154
D569,712 S * 5/2008 Young, IV D13/154
- (72) Inventors: **Kristin Chrouser, Washington, DC** D589,899 S * 4/2009 Huang D13/147
(US); Steven M. Morin, Washington, D596,128 S * 7/2009 Hung D13/147
DC (US) D617,741 S * 6/2010 Fennell D13/154
7,825,337 B2 * 11/2010 Young, IV H02G 3/30
174/135
- (73) Assignee: **THE UNITED STATES OF** D638,690 S * 5/2011 Hoek D8/356
AMERICA AS REPRESENTED D638,691 S * 5/2011 Hoek D8/356
DEPARTMENT OF VETERANS D638,692 S * 5/2011 Hoek D8/356
AFFAIRS, Washington, DC (US) D639,145 S * 6/2011 Hoek D8/356
D639,146 S * 6/2011 Hoek D8/356

(**) Term: **15 Years**

(21) Appl. No.: **29/624,323**

(22) Filed: **Oct. 31, 2017**

(51) **LOC (11) Cl.** **09-06**

(52) **U.S. Cl.**
USPC **D8/356**

(58) **Field of Classification Search**
USPC D8/356, 354
CPC B65H 57/16; B63B 21/045
See application file for complete search history.

(56) **References Cited**

U.S. PATENT DOCUMENTS

1,371,619 A * 3/1921 Greenstreet A63H 33/06
446/124
2,229,935 A * 1/1941 Powers E04H 15/322
24/129 B
4,244,544 A * 1/1981 Kornat F16L 3/13
248/68.1
5,316,246 A * 5/1994 Scott A61M 5/1418
248/68.1
D372,188 S * 7/1996 Van Dyke D8/358
5,954,301 A * 9/1999 Joseph H01R 9/2416
248/68.1

(Continued)
Primary Examiner — Cynthia R Underwood
(74) *Attorney, Agent, or Firm* — Ballard Spahr LLP

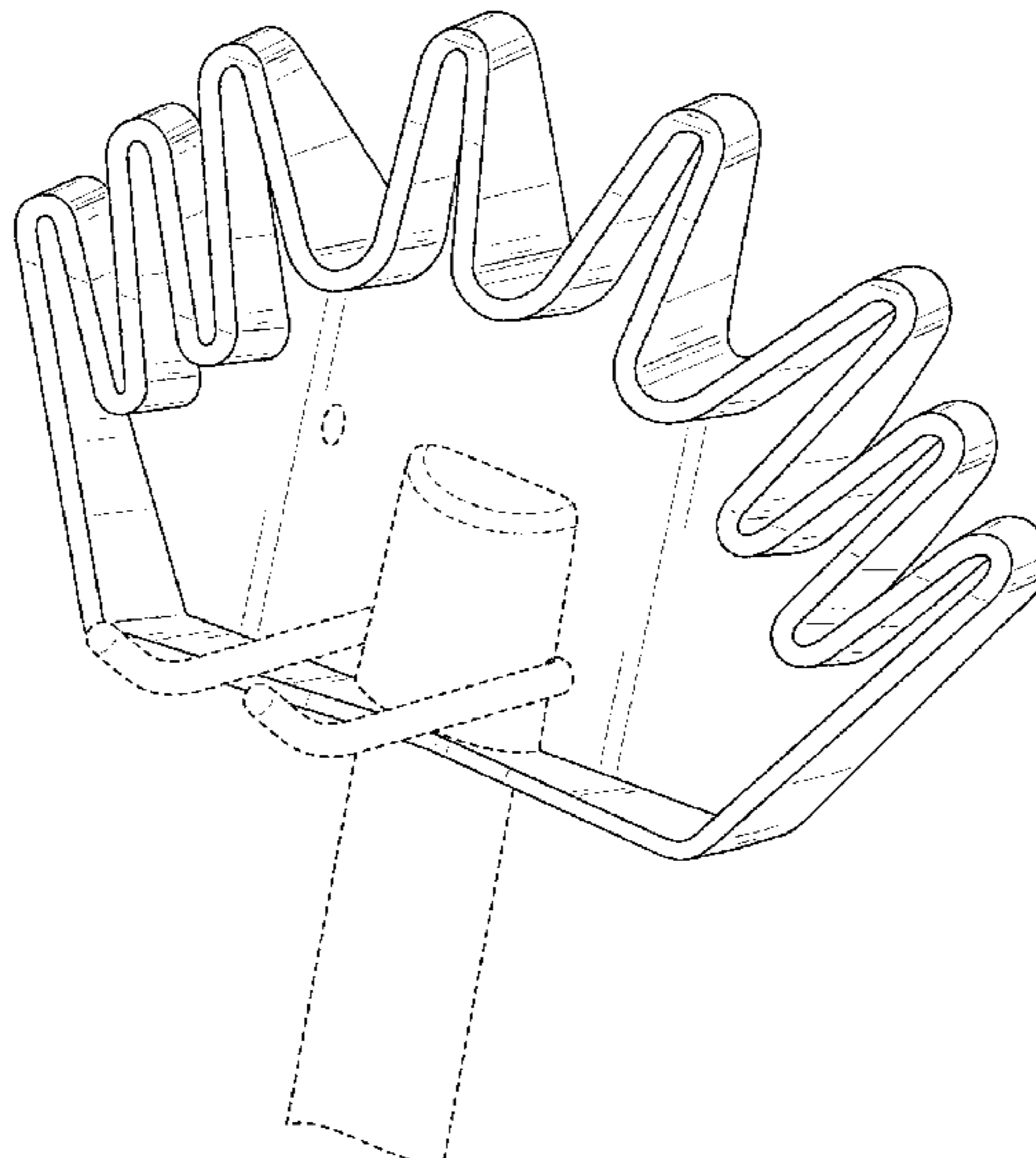
(57) **CLAIM**

The ornamental design for a cord caddy, as shown and described.

DESCRIPTION

FIG. 1 is a front perspective view of a cord caddy showing our new design;
FIG. 2 is a rear perspective view thereof;
FIG. 3 is a front view thereof;
FIG. 4 is a rear view thereof;
FIG. 5 is a right side view thereof;
FIG. 6 is a left side view thereof;
FIG. 7 is a top view thereof; and,
FIG. 8 is a bottom view thereof.
The dashed broken lines illustrate structure or features which form no part of the claimed design.
The drawings include surface shading which represents contour, not surface ornamentation.

1 Claim, 8 Drawing Sheets



(56)

References Cited

U.S. PATENT DOCUMENTS

D640,527 S * 6/2011 Hoek D8/356
D644,501 S * 9/2011 Chen D8/356
D657,869 S * 4/2012 Mammen D24/128
D668,620 S * 10/2012 Convert D13/147
D680,851 S * 4/2013 Lo D8/356
8,998,151 B2 * 4/2015 Hoek F16L 3/223
248/68.1
D742,212 S * 11/2015 Hsu D8/396
D743,048 S * 11/2015 Kuran D24/231
D749,209 S * 2/2016 Uhlenkamp D24/128
D767,500 S * 9/2016 Byrne D13/154
D768,089 S * 10/2016 Liu D13/154
D773,414 S * 12/2016 Hoffman D13/183
D774,002 S * 12/2016 Hsieh D13/155
9,618,143 B2 * 4/2017 Noble F16L 3/24
D790,127 S * 6/2017 Verleur D27/183
D799,941 S * 10/2017 Rothenberg D8/356
D802,168 S * 11/2017 Lee D25/119
D803,164 S * 11/2017 Noble D13/155
D805,879 S * 12/2017 Garcia D8/356
D822,122 S * 7/2018 Bilezikian D21/484
D822,463 S * 7/2018 Han D8/360
2004/0118982 A1 * 6/2004 Shillings F16L 3/223
248/68.1
2005/0189453 A1 * 9/2005 DeGuevara H02G 3/305
248/68.1
2007/0235597 A1 * 10/2007 Winchester F16L 3/223
248/68.1

* cited by examiner

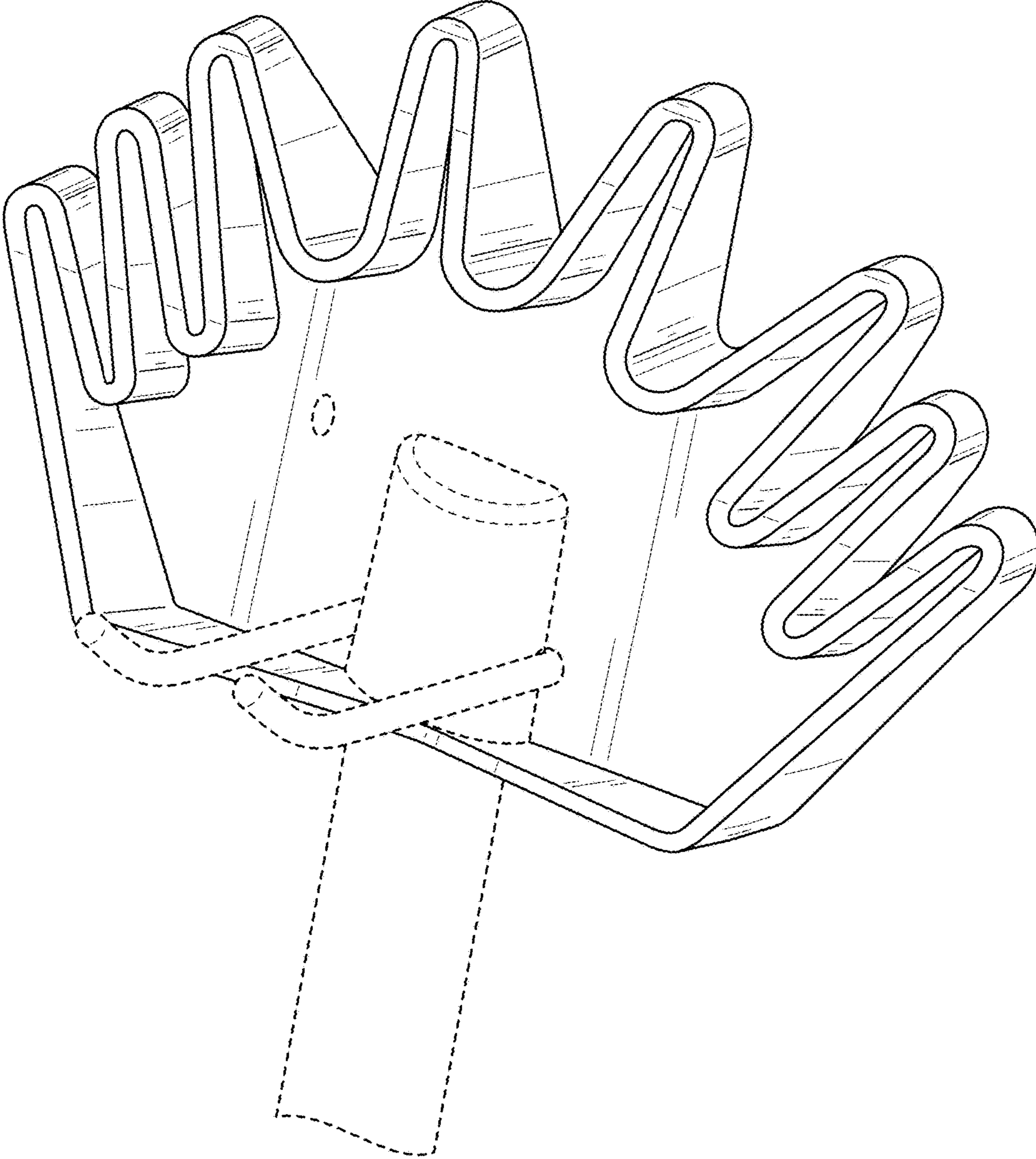


FIG. 1

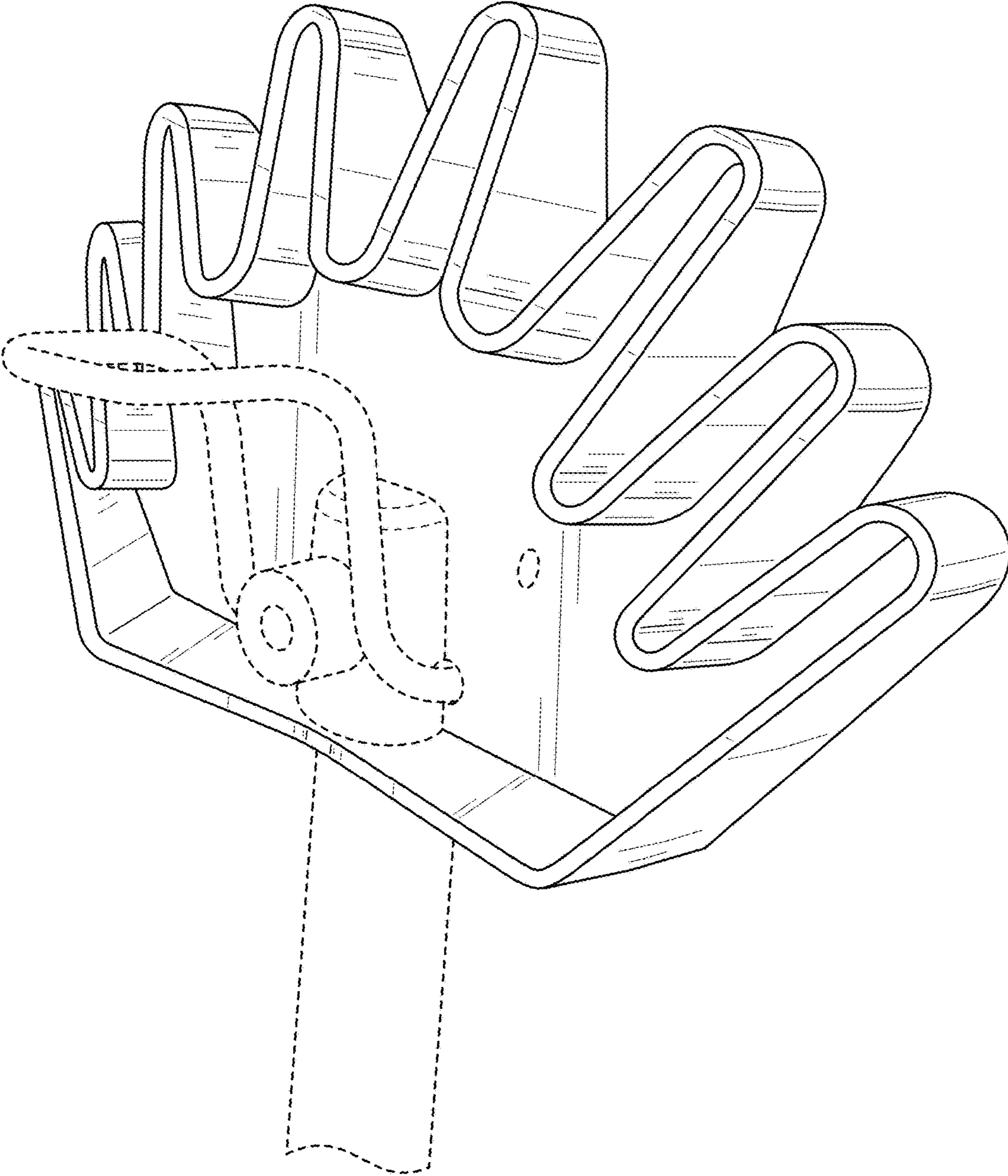


FIG. 2

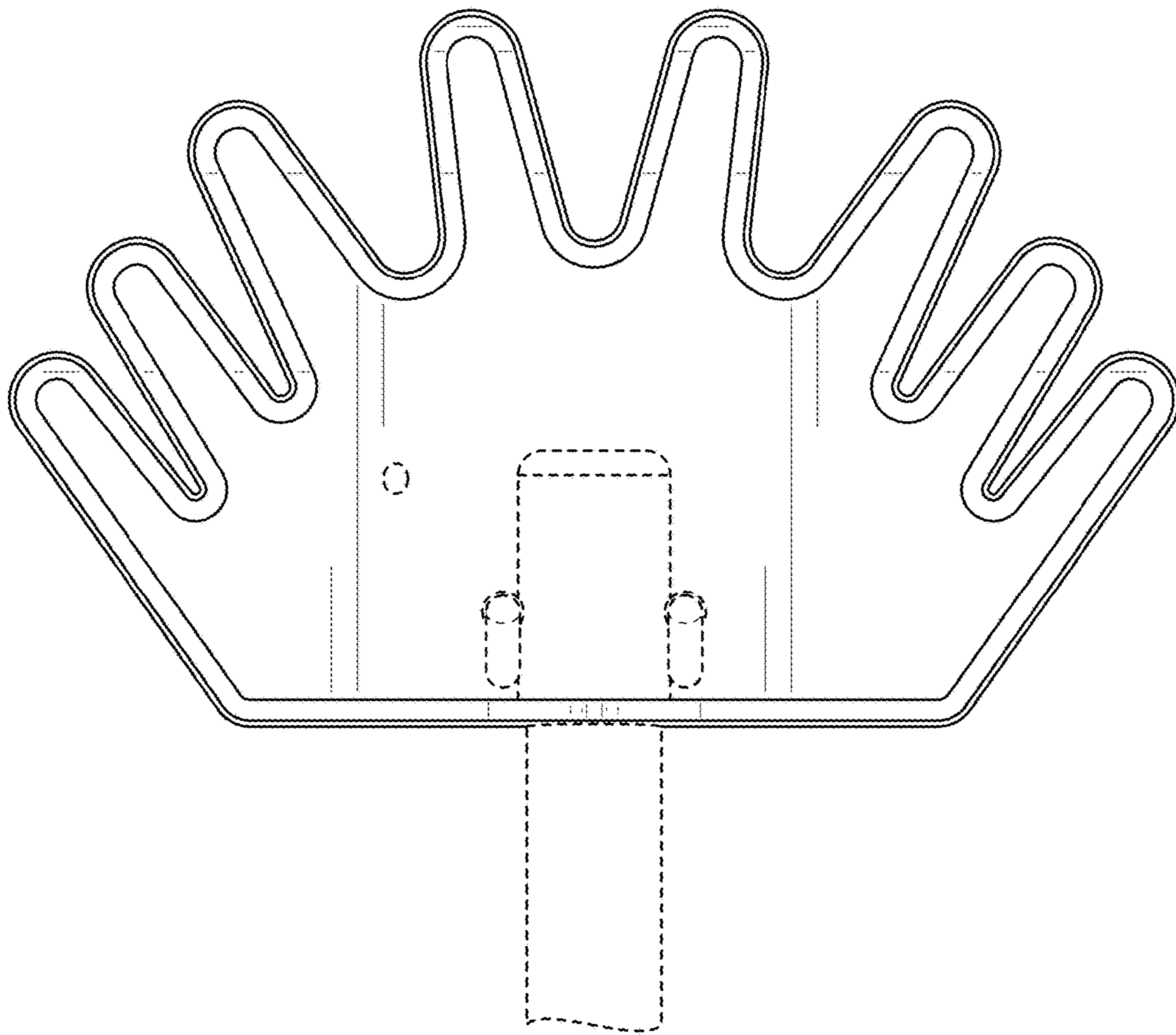


FIG.3

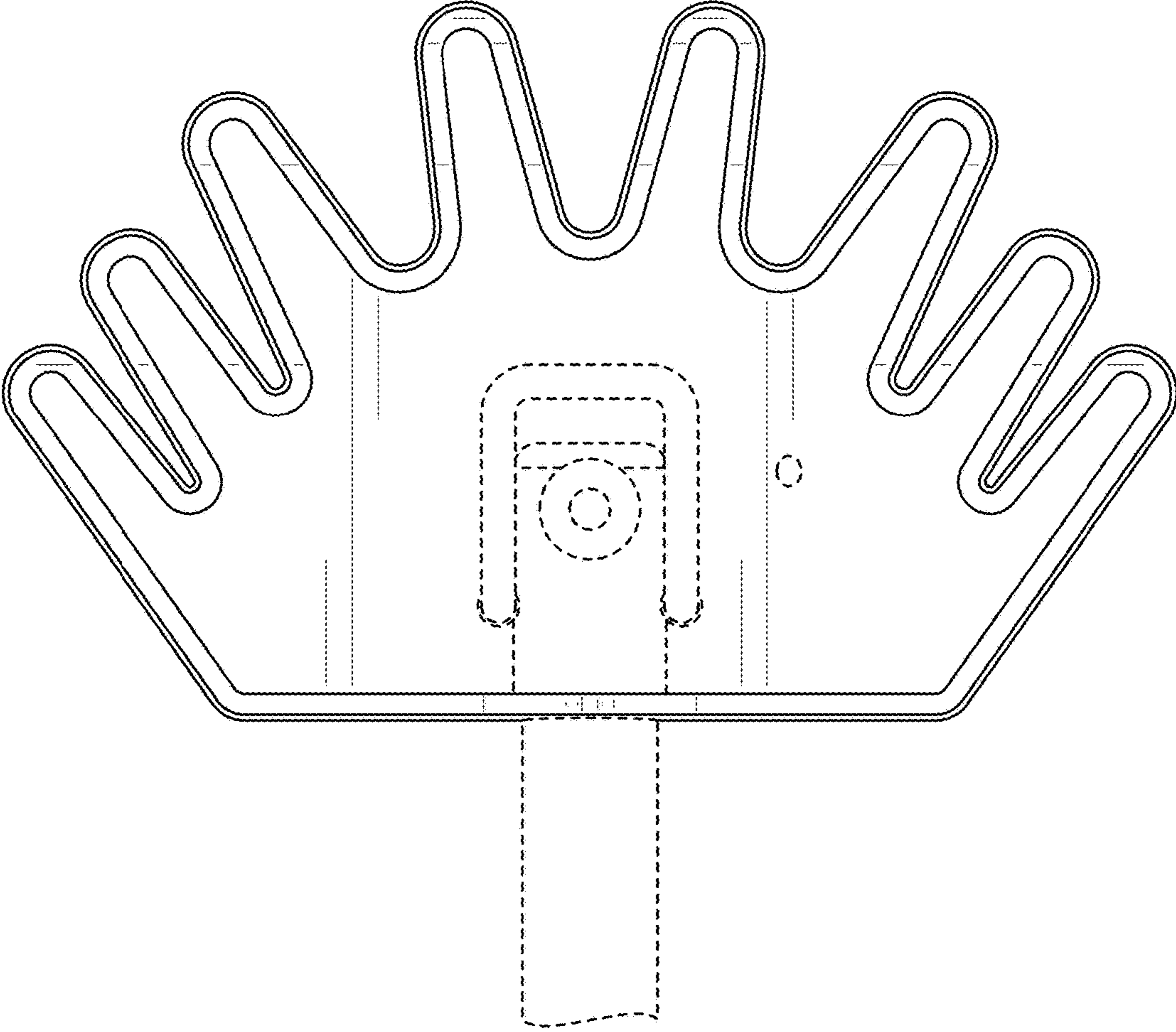


FIG. 4

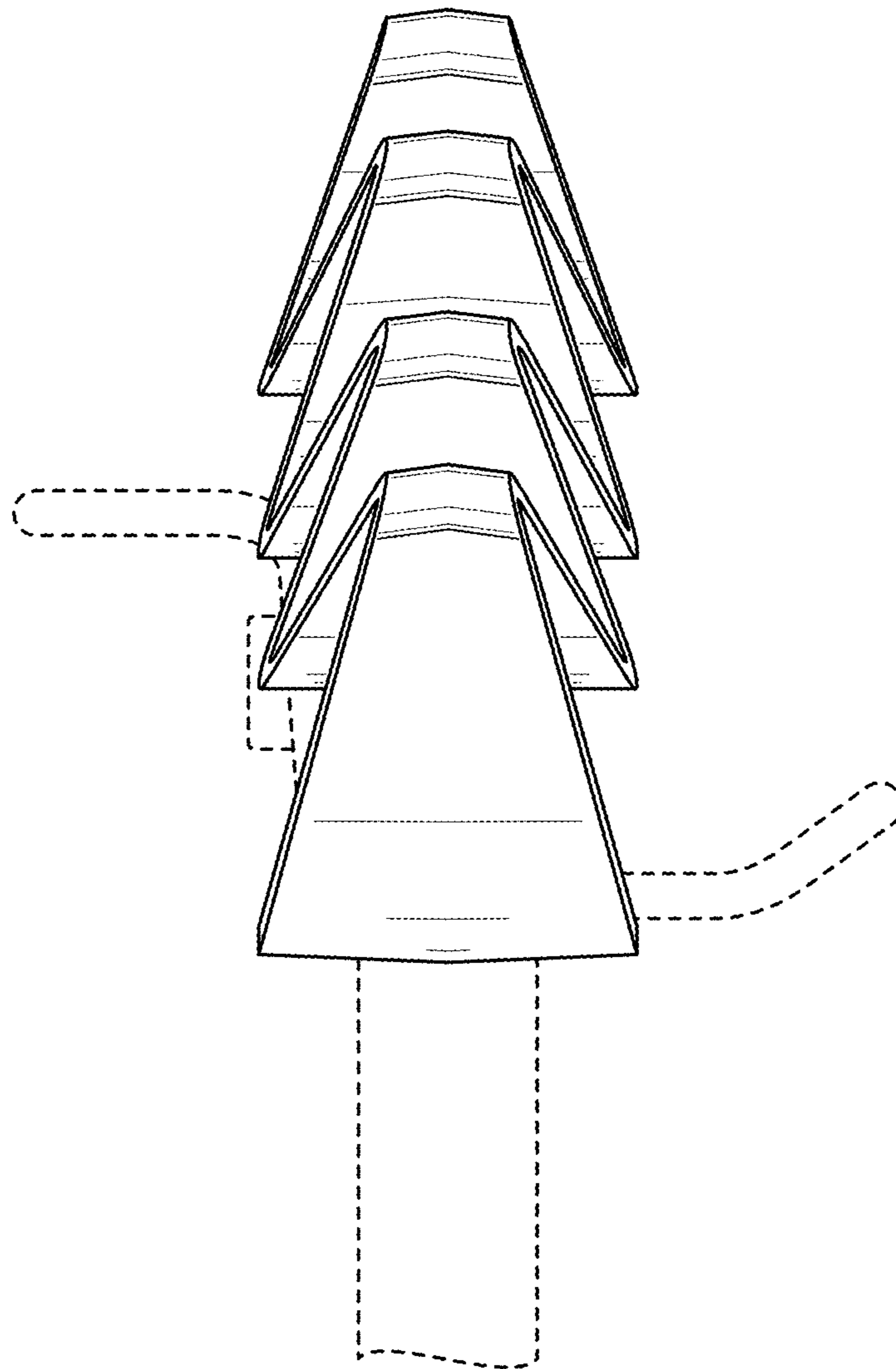


FIG. 5

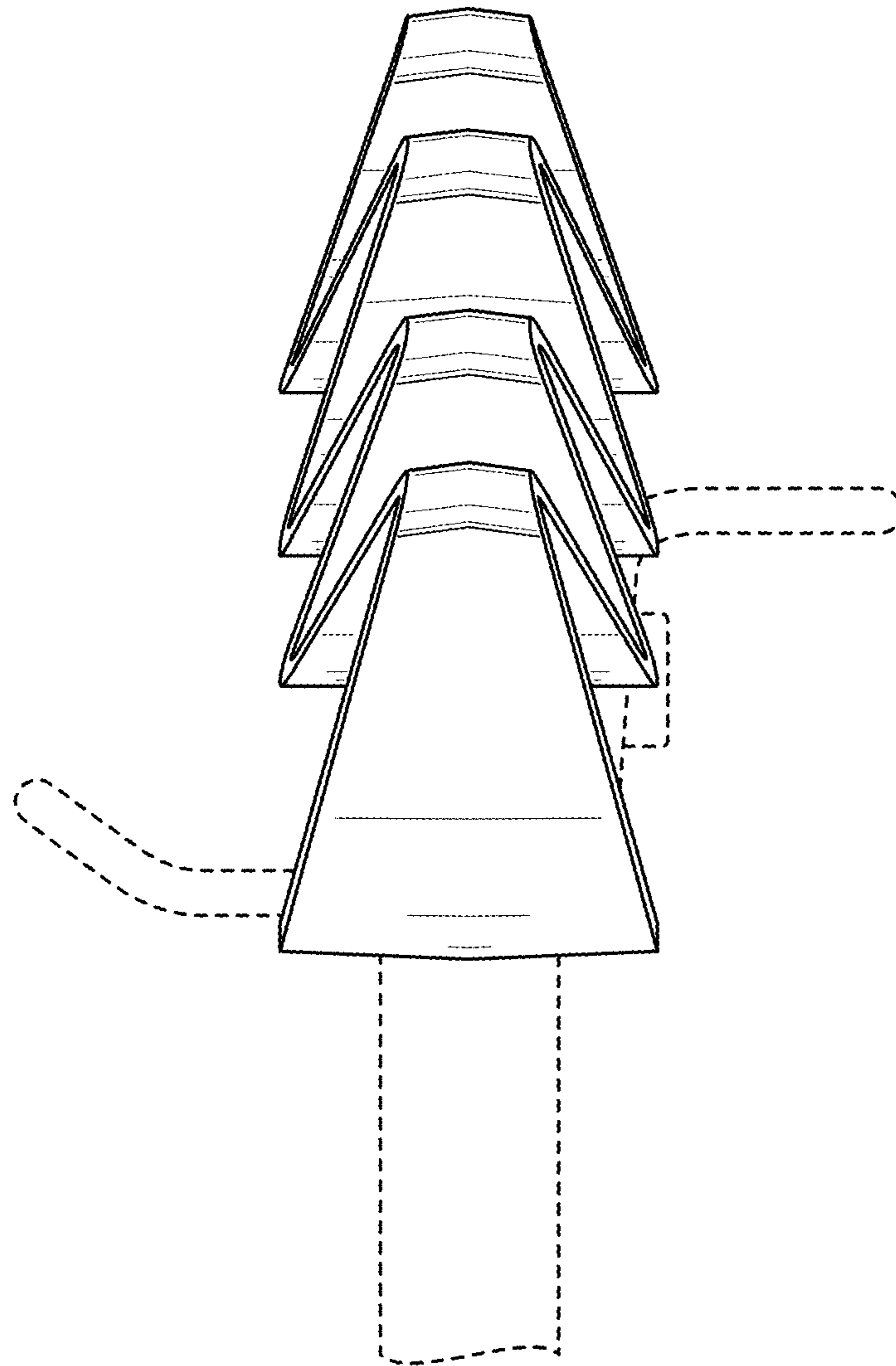


FIG.6

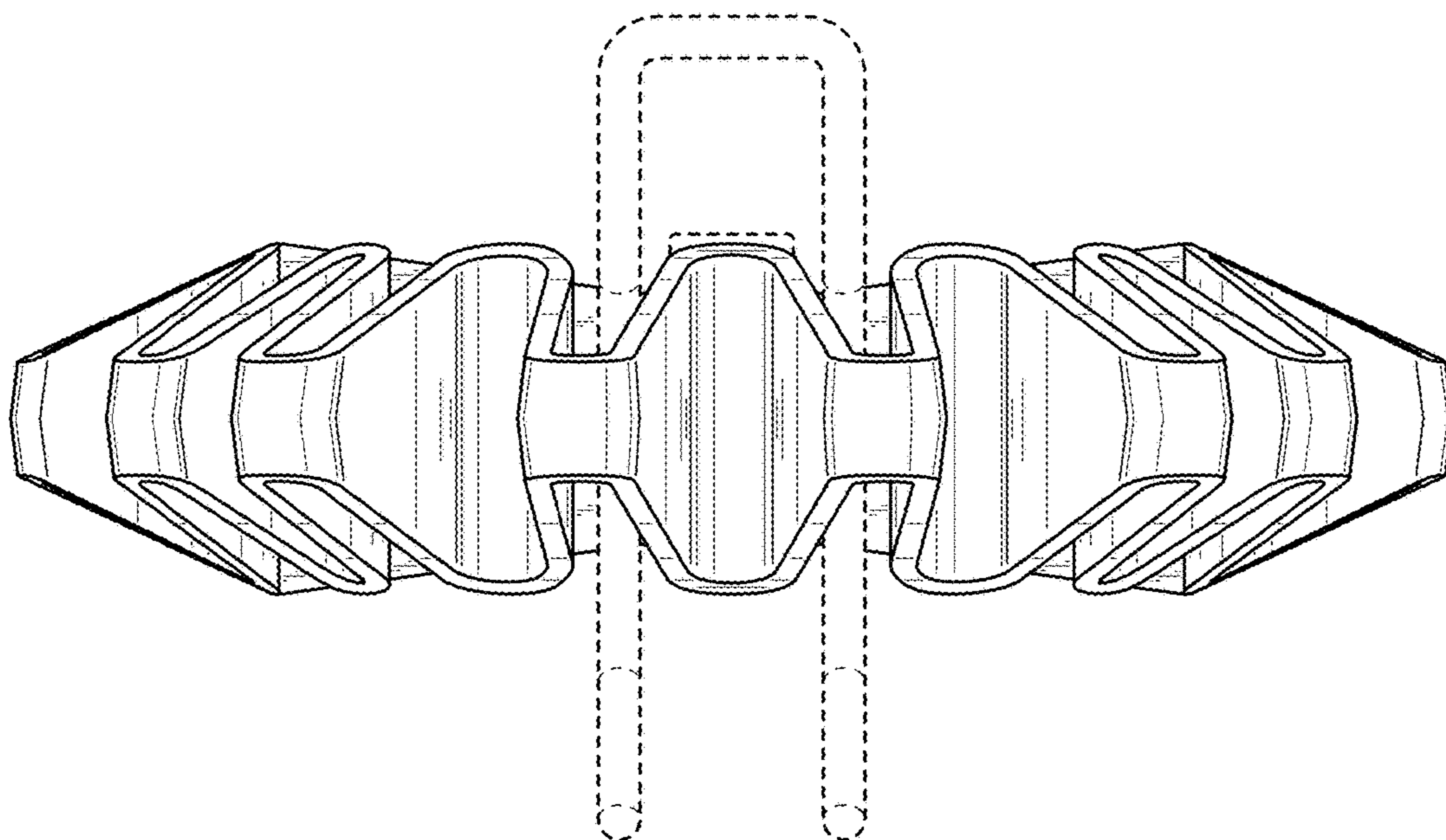


FIG. 7

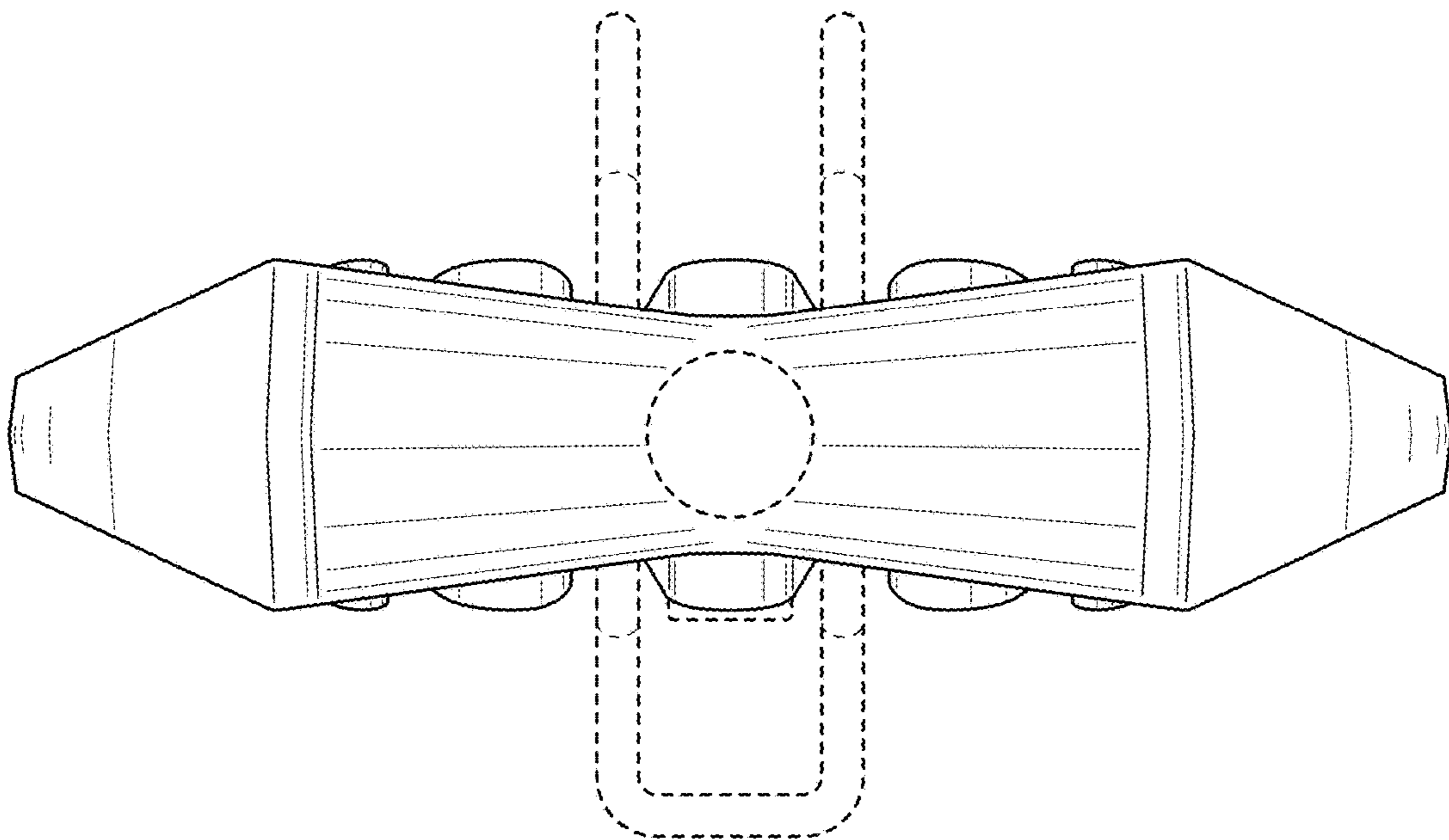


FIG. 8