

US00D834922S

(12) **United States Design Patent** (10) **Patent No.:** **US D834,922 S**  
**Russo** (45) **Date of Patent:** **\*\* Dec. 4, 2018**

(54) **THREADED LIPPAGE CAP**  
(71) Applicant: **William P. Russo**, Hartford, WI (US)  
(72) Inventor: **William P. Russo**, Hartford, WI (US)  
(73) Assignee: **Russo Trading Company, Inc.**,  
Menomonee Falls, WI (US)  
(\*\*) Term: **15 Years**

4,024,683 A 5/1977 Kilian  
D269,852 S 7/1983 Frieberg  
4,397,125 A 8/1983 Gussler, Jr.  
(Continued)

**FOREIGN PATENT DOCUMENTS**

EP 2 241 702 A2 10/2010  
EP 2549030 A2 1/2013  
(Continued)

(21) Appl. No.: **29/614,540**  
(22) Filed: **Aug. 21, 2017**

**OTHER PUBLICATIONS**

Bruno Plast Tile-Laying System, [www.brunoplast.de/gambio/index.php](http://www.brunoplast.de/gambio/index.php), downloaded Jun. 3, 2015, (2) pages.  
(Continued)

**Related U.S. Application Data**

(63) Continuation-in-part of application No. 15/161,398, filed on May 23, 2016, which is a continuation-in-part of application No. 29/552,045, filed on Jan. 20, 2016, which is a continuation-in-part of application No. 14/823,085, filed on Aug. 11, 2015, which is a continuation-in-part of application No. 14/718,131, filed on May 21, 2015.

*Primary Examiner* — Lakiya G Rogers  
*Assistant Examiner* — Harold E Blackwell, II  
(74) *Attorney, Agent, or Firm* — Klintworth & Rozenblat IP LLP

(51) **LOC (11) Cl.** ..... **08-05**  
(52) **U.S. Cl.**  
USPC ..... **D8/355**  
(58) **Field of Classification Search**  
USPC ..... D8/105, 307, 310, 313, 321, 354, 355,  
D8/382, 387, 71  
CPC ..... E04F 19/06; E04F 21/18; E04F 21/0092;  
B28D 1/225; G01B 3/30; G09F  
2017/0066; G09F 17/00  
See application file for complete search history.

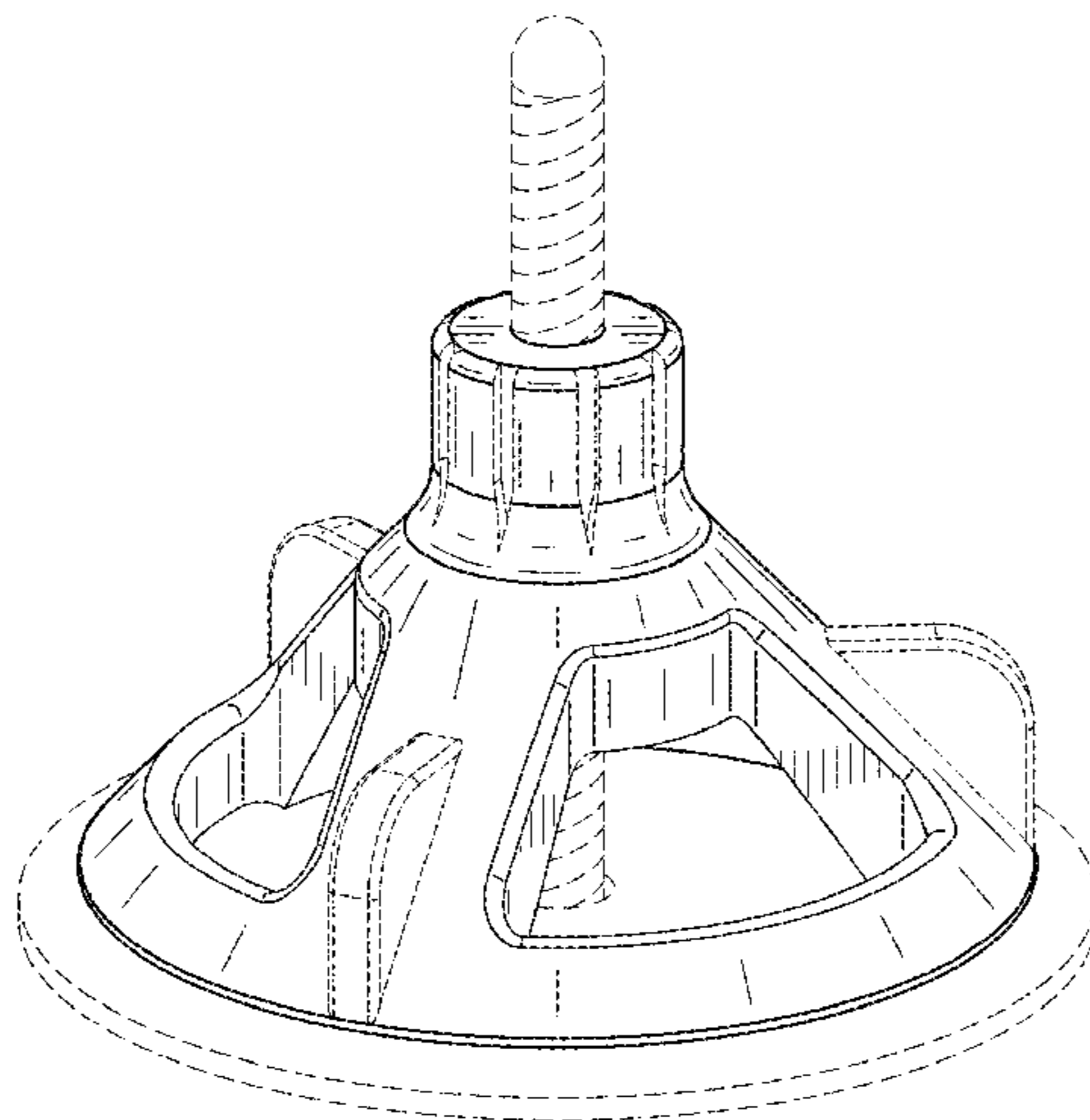
(57) **CLAIM**  
The ornamental design for the threaded lippage cap, as shown and described.

**DESCRIPTION**

FIG. 1 is a top perspective view of a threaded lippage cap incorporating my new design;  
FIG. 2 is a bottom perspective view thereof;  
FIG. 3 is a top plan view thereof;  
FIG. 4 is a bottom plan view thereof;  
FIG. 5 is a front elevation view thereof;  
FIG. 6 is a right side view thereof;  
FIG. 7 is a left side view thereof; and,  
FIG. 8 is a top perspective view thereof threaded on to a spacer post.  
The dashed lines in FIGS. 1-8 illustrate portions of the threaded lippage cap or environment. The dashed lines form no part of the claimed design.

(56) **References Cited**  
U.S. PATENT DOCUMENTS  
1,635,313 A 7/1927 Dieterich  
2,128,844 A 8/1938 Myer  
3,552,257 A 1/1971 Tanabe  
3,961,453 A 6/1976 Couwenbergs

**1 Claim, 4 Drawing Sheets**



(56)

References Cited

U.S. PATENT DOCUMENTS

D276,310 S 11/1984 Frieberg  
 4,546,580 A 10/1985 Ueno  
 5,020,953 A 6/1991 Wada  
 D327,111 S 6/1992 Hemming  
 D332,390 S 1/1993 Adams  
 D335,441 S 5/1993 Fraker  
 5,211,372 A 5/1993 Smith, Jr.  
 5,269,114 A 12/1993 Albers  
 5,827,028 A 10/1998 Swick  
 D408,268 S 4/1999 Dunn  
 6,047,520 A 4/2000 Caraballo  
 6,056,519 A 5/2000 Morita  
 D460,571 S 7/2002 Schimmelpfennig  
 6,612,082 B2 9/2003 Schimmelpfennig  
 D491,443 S 6/2004 Lowery  
 D528,407 S 9/2006 Schwab  
 7,257,926 B1 8/2007 Kirby  
 D554,491 S 11/2007 Stenberg  
 7,367,786 B2 5/2008 Kang  
 7,472,522 B2 1/2009 Yang  
 D589,327 S 3/2009 Carnevali  
 D590,696 S 4/2009 Carnevali  
 7,603,825 B2 10/2009 Dohren  
 7,621,100 B2 11/2009 Kufner  
 D609,552 S 2/2010 Anderson  
 7,818,923 B2 10/2010 Alvarez  
 7,861,487 B2 1/2011 Kufner  
 7,874,113 B2 1/2011 Eberle, III  
 7,946,093 B1 5/2011 Sturino  
 7,954,300 B1 6/2011 Kufner  
 7,992,354 B2 8/2011 Dada, Jr.  
 D645,337 S 9/2011 Hsu  
 8,079,199 B1 12/2011 Kufner  
 D654,348 S 2/2012 Musselman  
 8,181,420 B2 5/2012 Torrents I Comas  
 D664,170 S 7/2012 Chung  
 8,336,279 B2 12/2012 Kufner  
 D678,039 S \* 3/2013 Psaila ..... D8/354  
 D692,747 S 11/2013 Schwab  
 8,635,815 B2 1/2014 Bordin  
 8,671,628 B2 3/2014 Sighinolfi  
 D703,034 S 4/2014 Stewart  
 8,689,522 B2 4/2014 Hoffman  
 8,845,202 B2 9/2014 Teimel  
 8,950,079 B2 2/2015 Hillebrandt  
 8,960,655 B2 2/2015 Wood  
 D735,557 S 8/2015 Leshem  
 9,127,466 B2 9/2015 Hinkle  
 D742,719 S \* 11/2015 Komura ..... D8/349  
 9,228,363 B2 \* 1/2016 Kufner ..... E04F 21/0092

D748,973 S 2/2016 Rodenhouse  
 9,279,259 B1 \* 3/2016 Russo ..... E04F 21/20  
 9,322,185 B1 \* 4/2016 Russo ..... E04F 21/0092  
 9,328,522 B2 \* 5/2016 Bordin ..... E04F 21/20  
 D762,458 S 8/2016 Horne  
 9,470,002 B2 10/2016 Irvine  
 D775,935 S \* 1/2017 Sarajian ..... D8/354  
 D776,519 S 1/2017 Almaghlouth  
 D778,709 S \* 2/2017 Russo ..... D8/355  
 D783,393 S 4/2017 Weifenbach  
 9,657,485 B2 \* 5/2017 Meyers ..... E04F 21/1877  
 2002/0089106 A1 7/2002 Horng  
 2006/0185269 A1 8/2006 Kufner et al.  
 2009/0126213 A1 \* 5/2009 Tavy ..... E04F 21/0092  
 33/527  
 2009/0288357 A1 11/2009 Kubicek  
 2009/0313927 A1 12/2009 Myers, Jr.  
 2013/0067854 A1 \* 3/2013 Bordin ..... E04F 21/0092  
 52/749.11  
 2014/0008557 A1 1/2014 Vandamme  
 2014/0325936 A1 11/2014 PSaila  
 2015/0211243 A1 7/2015 Irvine  
 2015/0267420 A1 \* 9/2015 Fontana ..... E04F 13/0892  
 52/126.1  
 2016/0102724 A1 4/2016 Potter  
 2016/0369518 A1 12/2016 Sarajian

FOREIGN PATENT DOCUMENTS

FR 2678663 A1 1/1993  
 JP 2013204318 A 10/2013  
 WO 2009/022359 A1 2/2009  
 WO 2014022889 A1 2/2014

OTHER PUBLICATIONS

Proleveling Universal Rotating Pommel Cap 50, www.flooringsupplyshop.com/tool-109/proleveling-system-609/proleveling-universal-rotating-pommel-50-618.html, downloaded, Jun. 3, 2015 (3) pages.  
 Tuscan SeamClip Leveling System, www.tuscanleveling.com/Products/Seamclip/seamclip.html, downloaed Jun. 3, 2015, (3) pages.  
 RTC Tornado Leveling System, www.rtcproducts.com/us/tornado-tile-leveling-system/, downloaded Jun. 3, 2015 , (4) pages.  
 Raimondi RLS Title Leveling Spacers System, www.flooringsupplyshop.com/blog/cool-tools/raimondi-rtts-tile-leveling-spacers-system#, download Jun. 3, 2015, (11) pages.  
 Tile Cap, Alpha Professional Tools, 5 pages, published at least as early as May 20, 2015.

\* cited by examiner

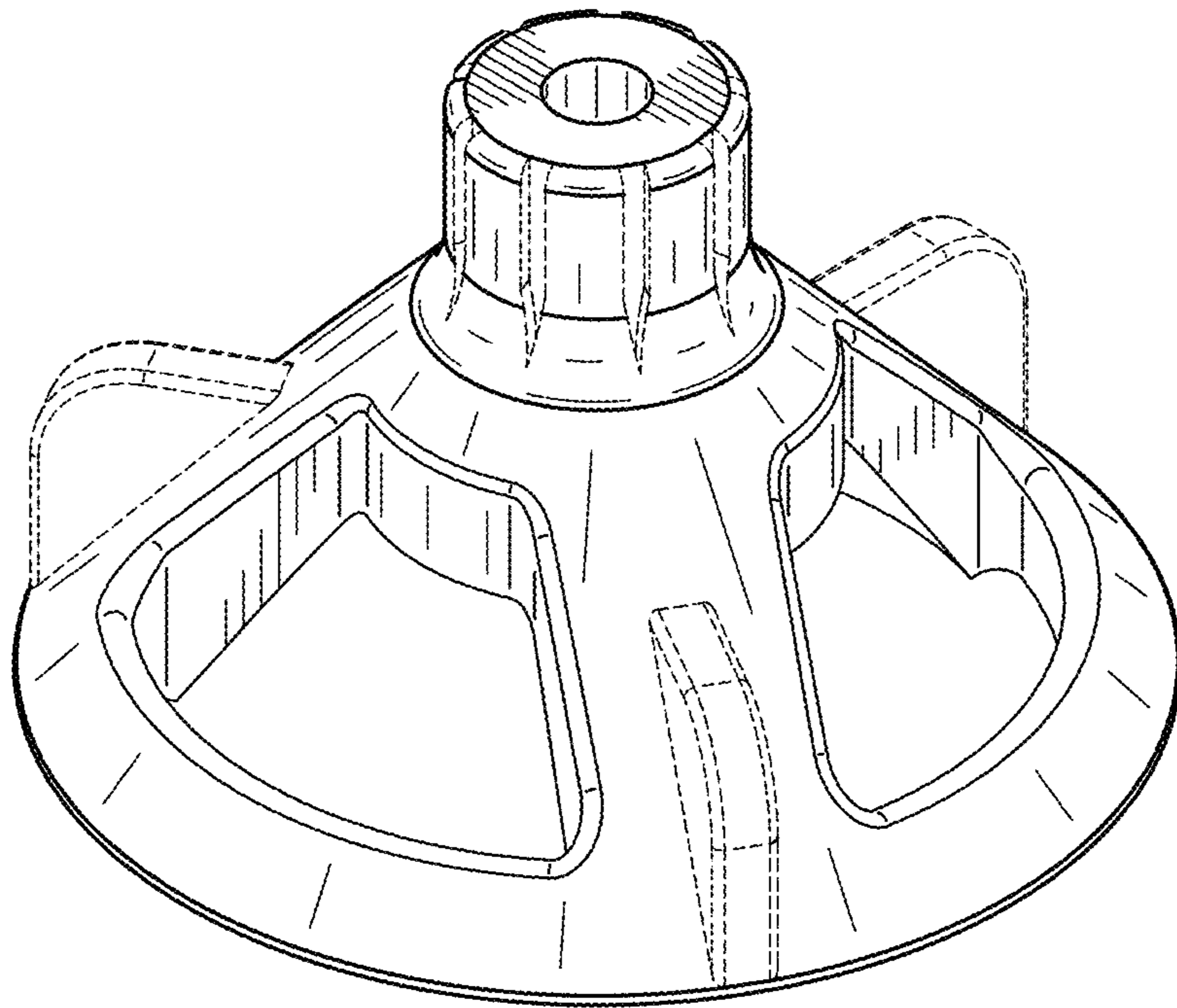


FIG. 1

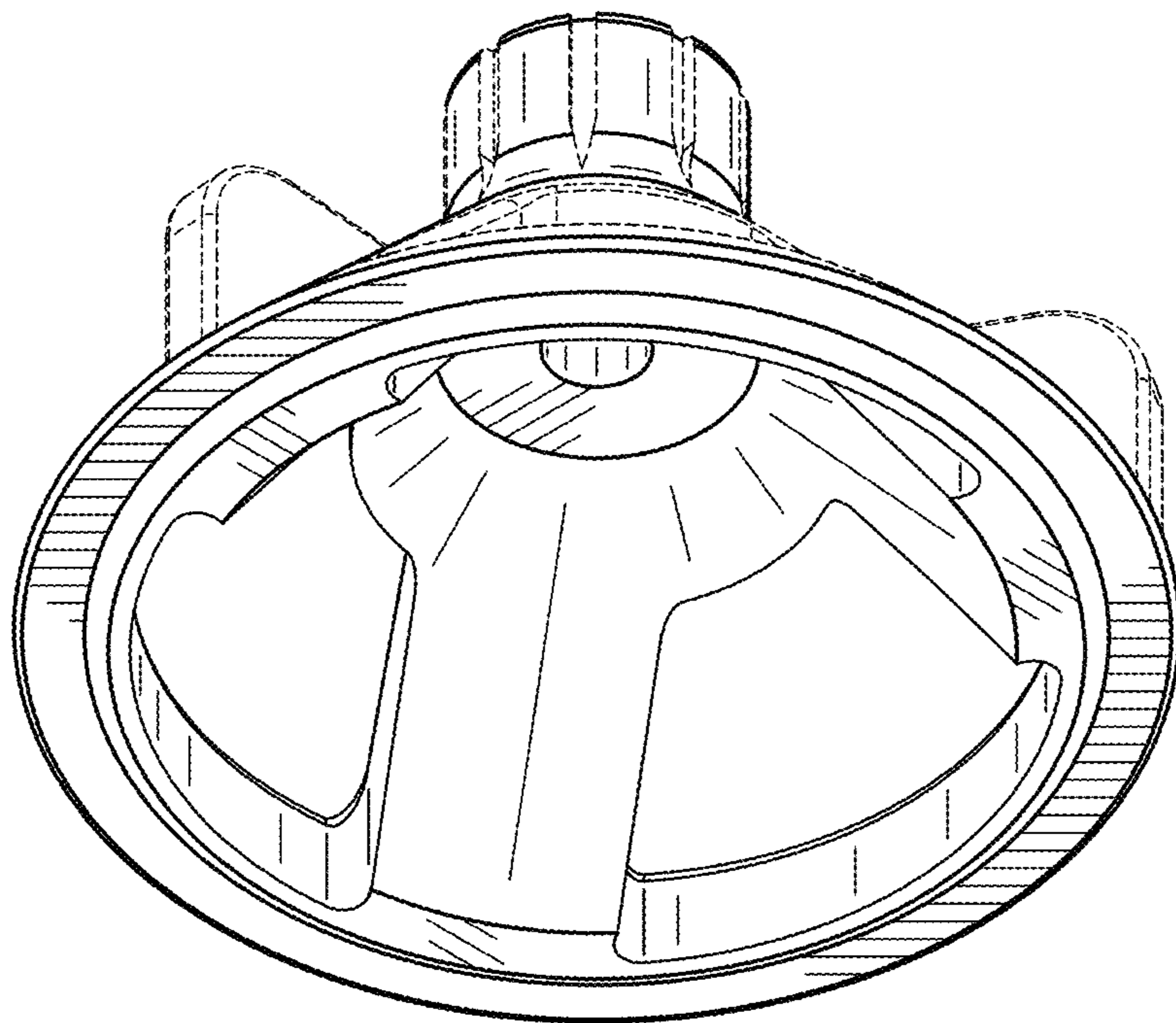


FIG. 2

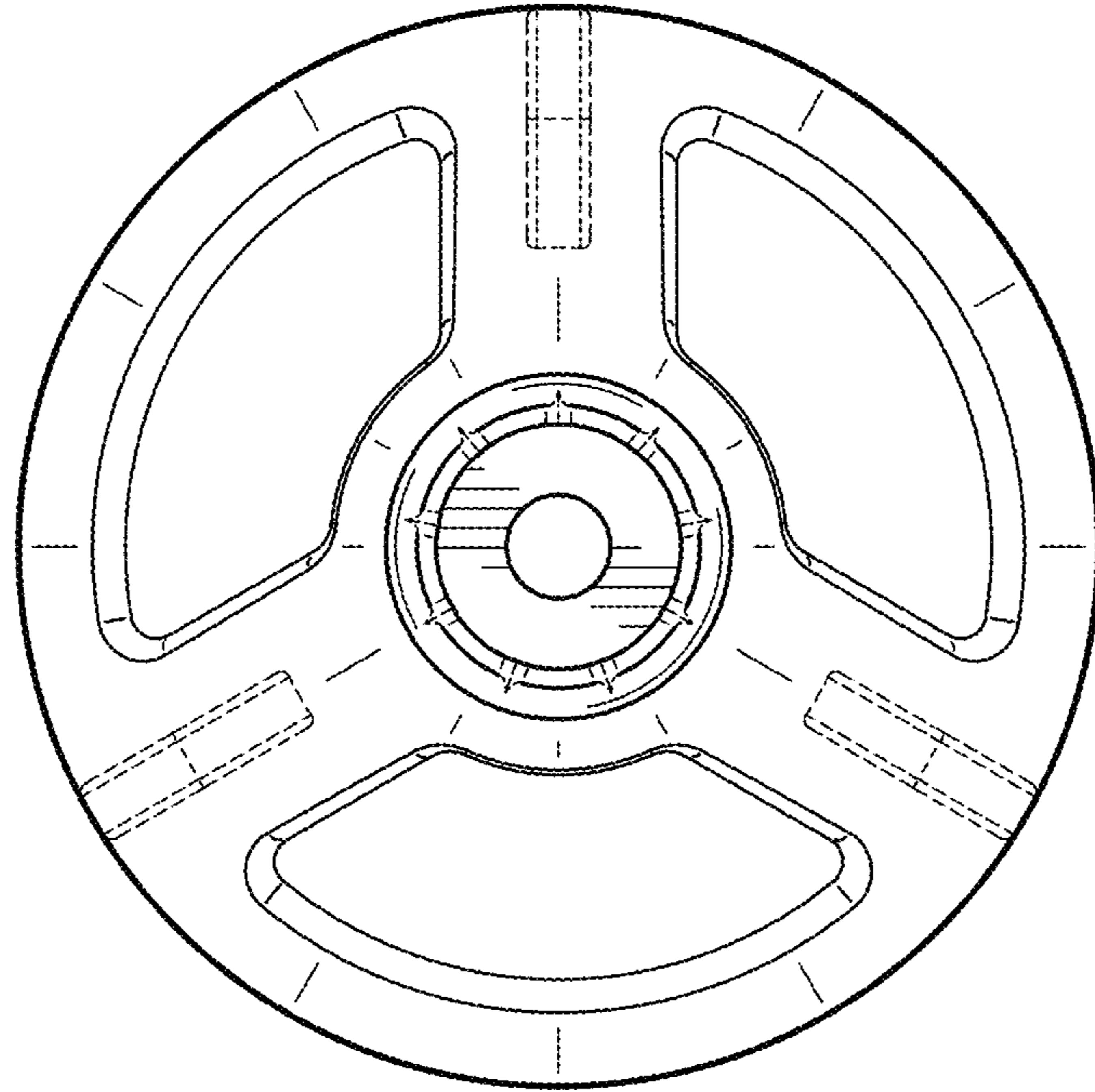


FIG. 3

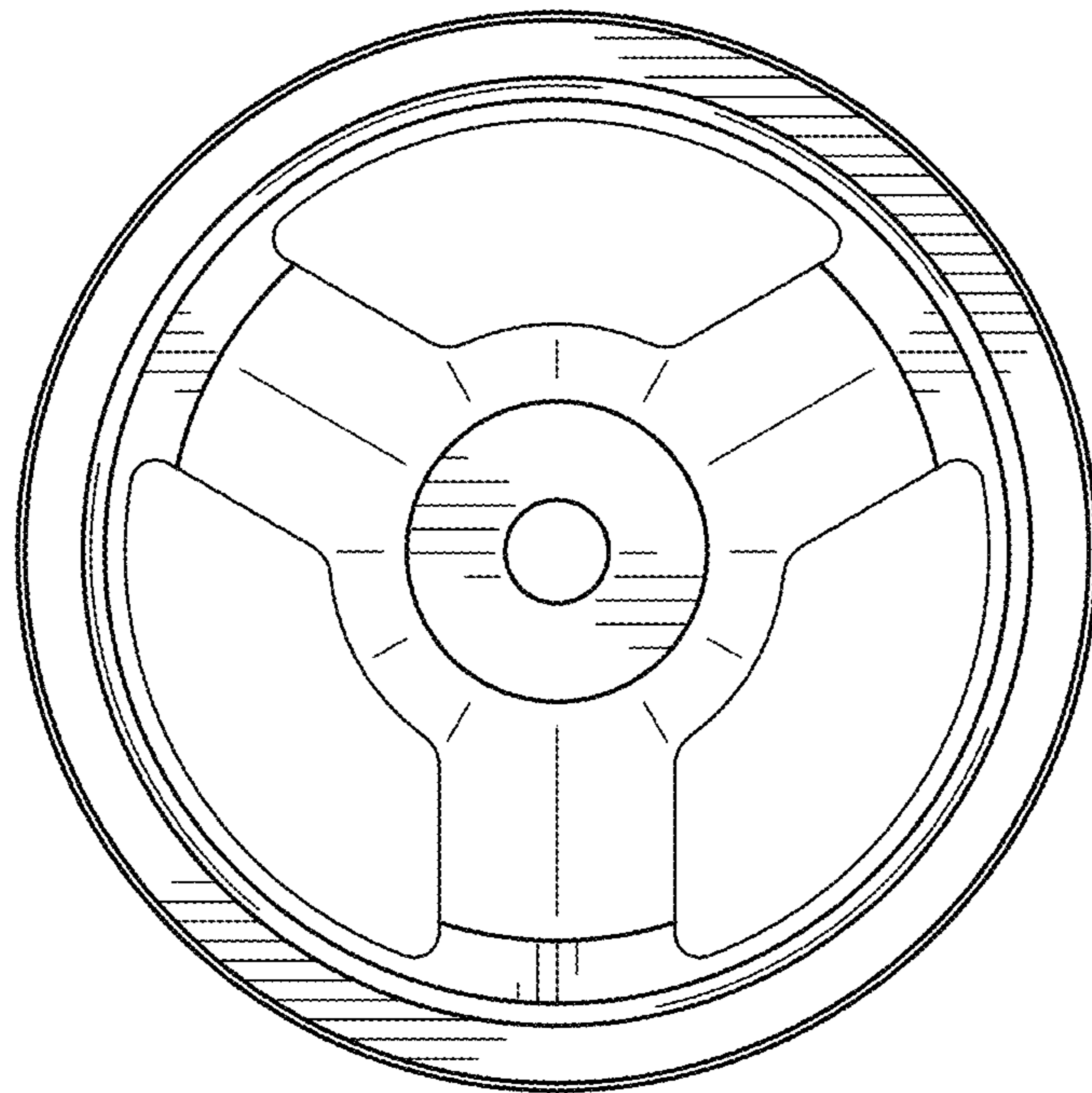


FIG. 4

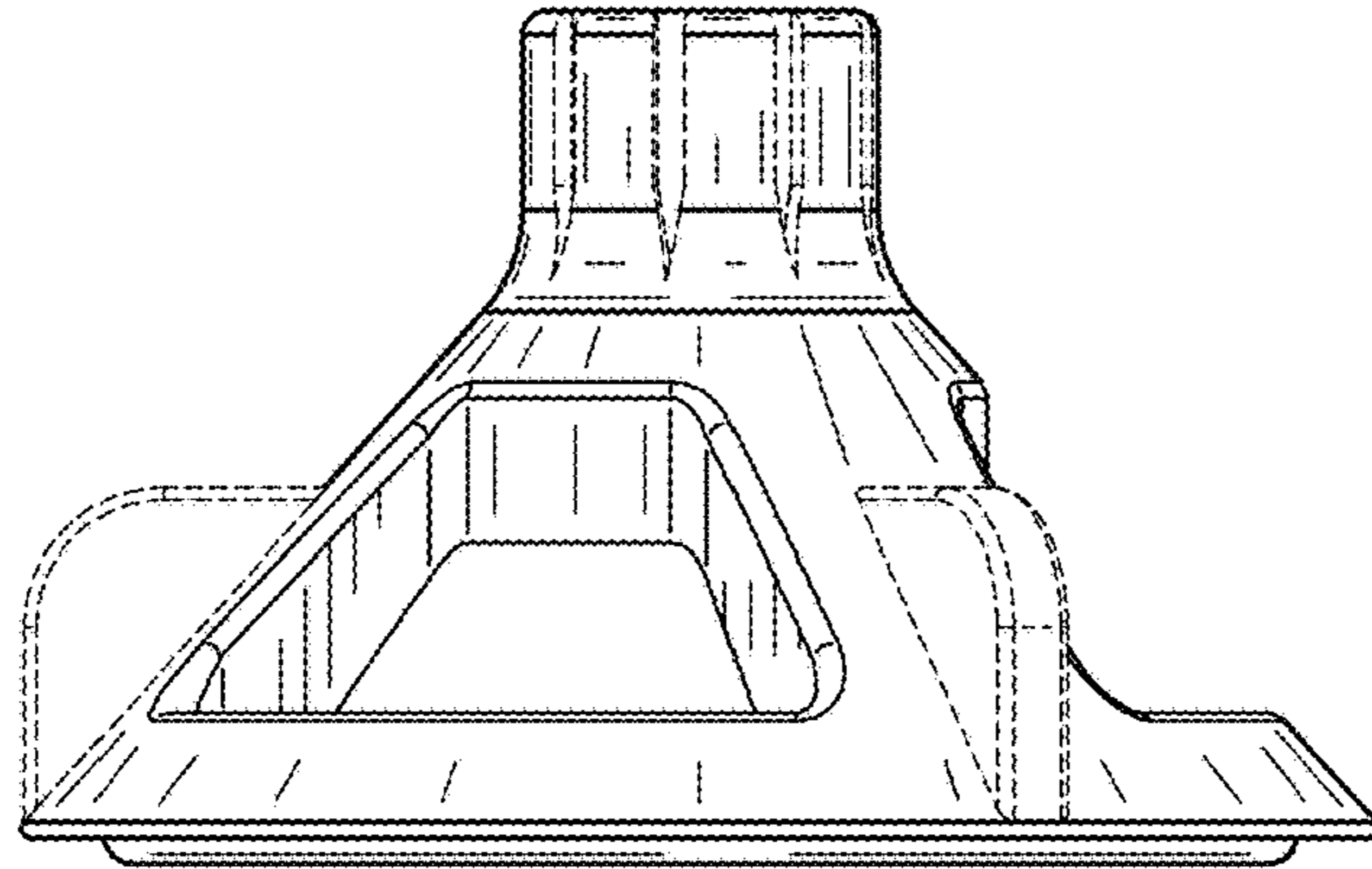


FIG. 5

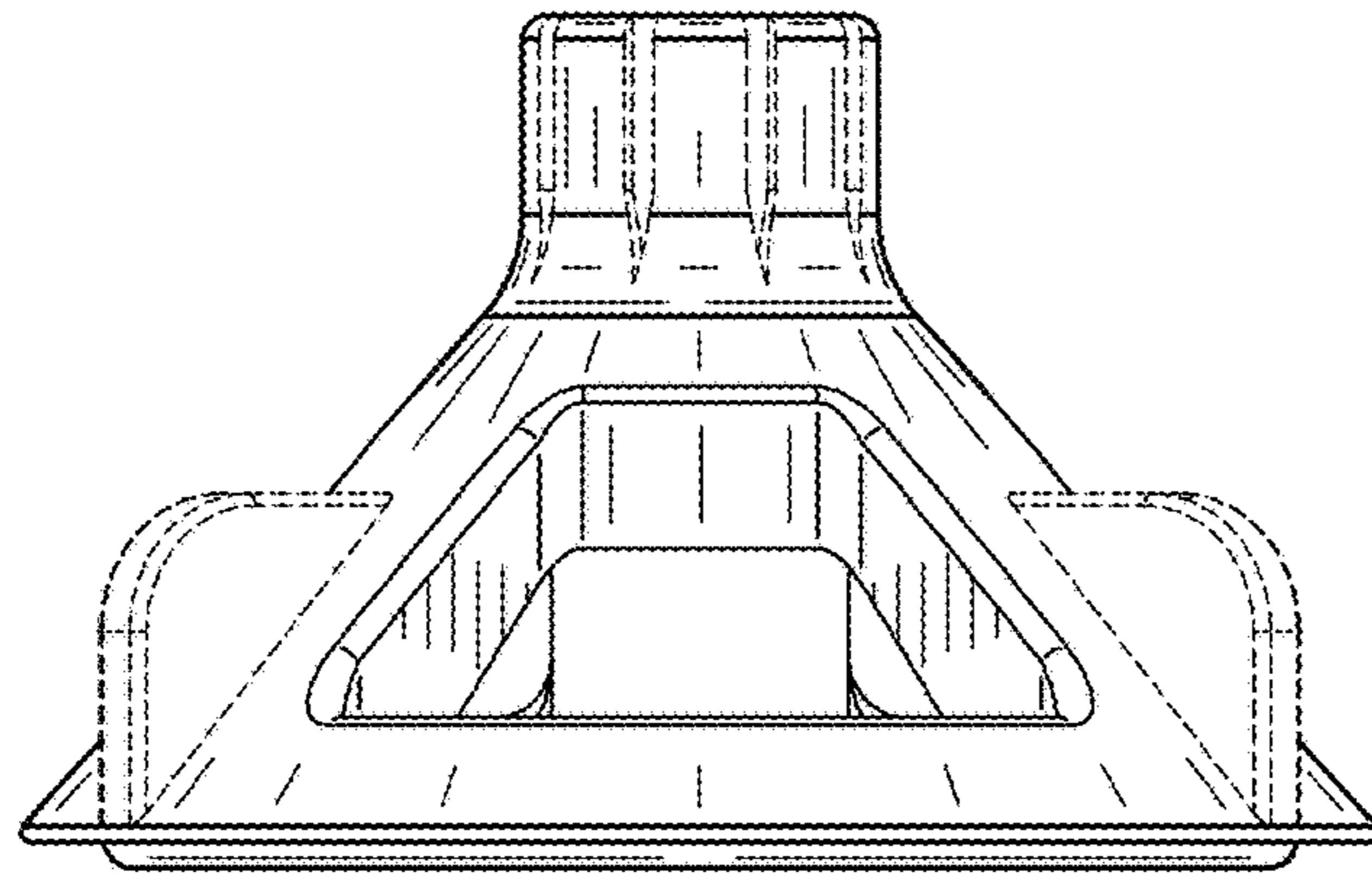


FIG. 6

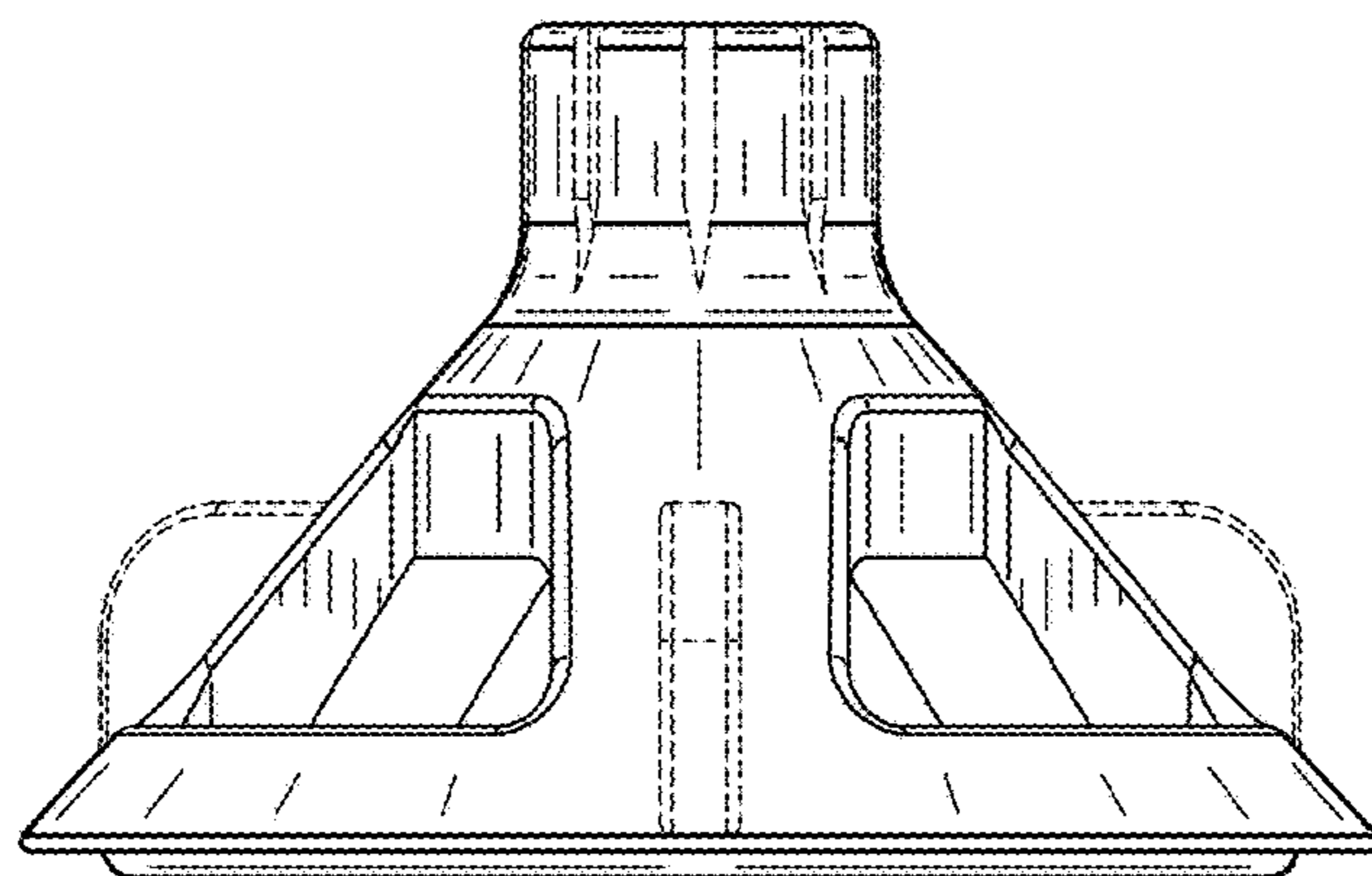


FIG. 7

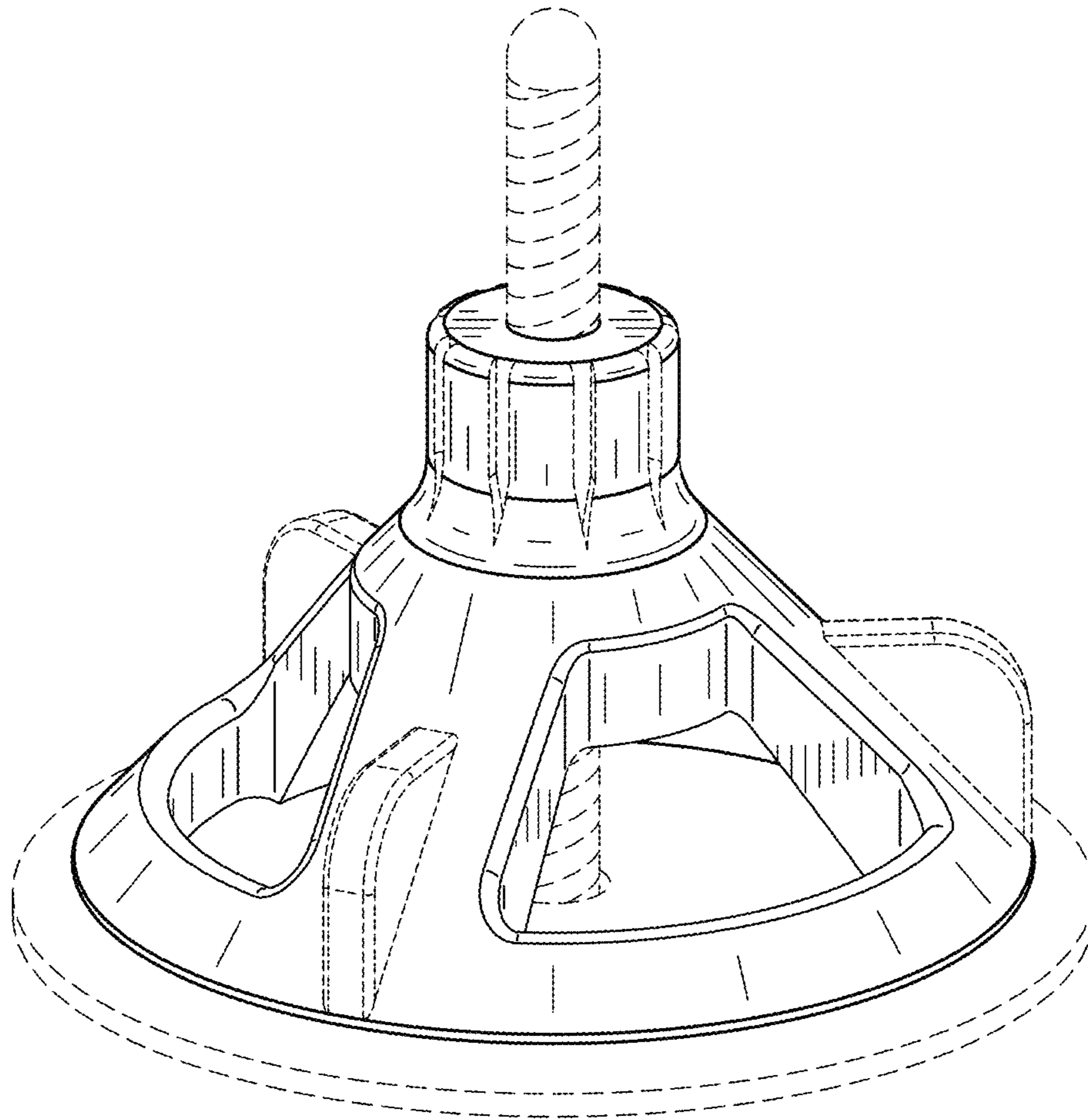


FIG. 8