



US00D834921S

(12) **United States Design Patent** (10) **Patent No.:** **US D834,921 S**
Rose et al. (45) **Date of Patent:** **** Dec. 4, 2018**

- (54) **CORNER BRACKET FOR MOBILE CART PANELS**
- (71) Applicant: **KNAACK LLC**, Crystal Lake, IL (US)
- (72) Inventors: **John Z. Rose**, Schaumburg, IL (US);
Robert A. Bergum, Woodstock, IL (US); **Sang Y. Oh**, Lake Zurich, IL (US); **Jose R. Rodriguez**, Village of Lakewood, IL (US)
- (73) Assignee: **KNAACK LLC**, Crystal Lake, IL (US)
- (**) Term: **15 Years**
- (21) Appl. No.: **29/624,917**
- (22) Filed: **Nov. 6, 2017**
- (51) **LOC (11) Cl.** **08-05**
- (52) **U.S. Cl.**
USPC **D8/354**
- (58) **Field of Classification Search**
USPC D8/354, 349, 373, 380, 382; D25/68, D25/102, 119, 121, 126, 133, 136, 138
CPC E04B 2/763; E04B 1/1903; E04B 2/7457; E04C 3/07; E04C 3/02; E04C 3/04; E04C 2003/026; E04C 2003/0473; F16B 7/0493; Y10T 403/50; Y10T 403/3906
See application file for complete search history.

- (56) **References Cited**
U.S. PATENT DOCUMENTS

2,686,559 A	8/1954	Stanton
3,014,596 A	12/1961	Gingher et al.
3,542,220 A	11/1970	Propst
3,851,600 A	12/1974	Kohl
3,964,404 A	6/1976	Mueller et al.
4,240,684 A	12/1980	Henning
D275,044 S	8/1984	Hampshire et al.
4,605,267 A	8/1986	Rinkewich
4,644,876 A	2/1987	Thomas
4,811,670 A	3/1989	Kolvites et al.
D323,915 S	2/1992	Welch
5,131,669 A	7/1992	Kinnamon et al.

(Continued)

FOREIGN PATENT DOCUMENTS

FR 985658 A 7/1951

OTHER PUBLICATIONS

Continental Lock Box for Janitor Carts for DS#83630 (83627) [online]. Direct Supply [retrieved on Sep. 27, 2017]. Retrieved from the Internet: <URL: <https://store.directsupply.com/Product/continentallockboxjanitorcartsds8363062993>>.

(Continued)

Primary Examiner — Lakiya G Rogers

Assistant Examiner — Harold E Blackwell, II

(74) *Attorney, Agent, or Firm* — McDonnell Boehnen Hulbert & Berghoff LLP

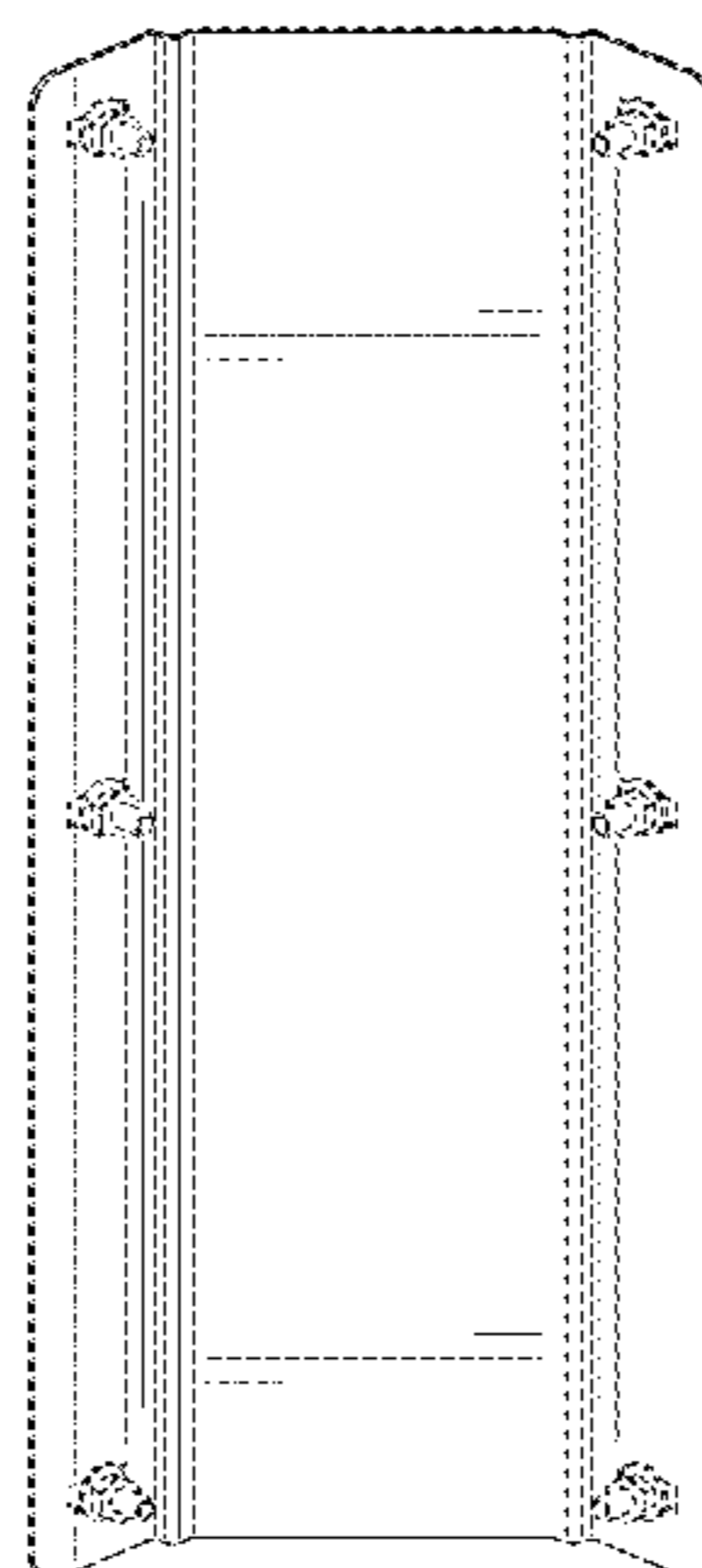
(57) **CLAIM**

The ornamental design for a corner bracket for mobile cart, as shown and described.

DESCRIPTION

FIG. 1 is a corner bracket for a mobile cart in a perspective view;
 FIG. 2 is a front view thereof;
 FIG. 3 is a rear view thereof;
 FIG. 4 is a right side view thereof, the left side being a mirror image;
 FIG. 5 is a top view thereof, the bottom being a mirror image; and,
 FIG. 6 is a perspective view showing the corner bracket positioned on a mobile cart.
 The even broken lines are included for the purpose of illustrating portions of the corner bracket that form no part of the claimed design.
 The dash-dot-dash broken lines showing a mobile cart in FIG. 6 represent environmental subject matter.

1 Claim, 6 Drawing Sheets



(56)

References Cited

U.S. PATENT DOCUMENTS

D332,855	S	1/1993	Royse et al.	
5,244,267	A	9/1993	Fossier, Jr. et al.	
D342,011	S	* 12/1993	Maguire	D8/349
5,306,033	A	4/1994	Evans	
D349,383	S	8/1994	McCaffrey	
5,427,394	A	6/1995	Lauto	
D361,910	S	9/1995	Maple et al.	
D362,102	S	9/1995	Campbell et al.	
D366,750	S	1/1996	Daugherty	
5,536,079	A	7/1996	Kostic	
D413,283	S	8/1999	Stepp et al.	
D427,404	S	6/2000	Glass	
6,460,950	B2	10/2002	Spitzer et al.	
6,601,861	B1	8/2003	Dettmann et al.	
D484,667	S	12/2003	Van Ledingham, Jr.	
D487,604	S	3/2004	Van Ledingham, Jr.	
7,048,346	B2	5/2006	Saravis	
7,055,833	B2	6/2006	Wixted et al.	
7,195,155	B2	3/2007	Garberg et al.	
7,201,385	B2	4/2007	Renz et al.	
7,325,891	B1	2/2008	Kinsley et al.	
7,401,796	B1	7/2008	Greco	
D579,321	S	* 10/2008	Townley	D8/354
7,458,441	B2	12/2008	Hu	
7,464,509	B1	12/2008	Brown	
D587,421	S	2/2009	Liao	
D590,697	S	* 4/2009	Townley	D8/354
7,578,511	B2	8/2009	Sheehan	
D600,535	S	* 9/2009	Rix	D8/354
D608,070	S	1/2010	Brown et al.	
D615,848	S	* 5/2010	Prichard	D8/354
D657,073	S	* 4/2012	Reyes	D25/102
8,215,246	B2	7/2012	Quam et al.	
D723,237	S	2/2015	Maddux et al.	
8,998,246	B2	4/2015	Griffard	
D729,410	S	* 5/2015	Lopez	D25/102
D732,373	S	* 6/2015	Wagner	D8/349
9,428,205	B2	8/2016	Jackson et al.	
9,631,770	B2	4/2017	Holestine	
D802,167	S	* 11/2017	Gyetzvai	D25/119
D821,851	S	* 7/2018	Stahl	D8/354
D822,455	S	* 7/2018	Stahl	D8/354
D823,095	S	* 7/2018	Stahl	D8/354
2004/0227315	A1	11/2004	Van Ledingham	
2009/0140505	A1	6/2009	Fryer et al.	
2009/0284111	A1	11/2009	Hazzard et al.	
2014/0035244	A1	2/2014	Bello	
2016/0129927	A1	5/2016	Russell et al.	
2016/0288998	A1	10/2016	Daniell	

OTHER PUBLICATIONS

Laptop & Tablet Storage Carts [online]. B&H Photo Video [retrieved on Sep. 25, 2017]. Retrieved from the Internet: <URL: <https://www.bhphotovideo.com/c/buy/tabletchargingcarts/ci/24854/N/3526274053>>.

Luxor 18x32 Cabinet Cart, Product Literature [online]. <http://www.luxorfurn.com> [retrieved on Sep. 27, 2017]. Retrieved from the internet: <URL: <http://www.luxorfurn.com/sellsheet/WT60-B.pdf>>.

Luxor H. Wilson, 3 Shelf Cart Instructions [online]. <http://www.luxorfurn.com> [retrieved on Aug. 16, 2013]. Retrieved from the internet: <URL: <http://www.luxorfurn.com/instructions/HE40C_instruct.pdf>>.

Luxor Adjustable Height Metal Cart Instructions [online]. <http://www.luxorfurn.com> [retrieved on Sep. 5, 2017]. Retrieved from the internet: <URL: http://www.luxorfurn.com/instructions/AVJ42XLC_instruct.pdf>.

Mobile Service Bench, Mobile Workcenter Maintenance Cart with 8" Pneumatic Casters, [online]. <http://www.GlobalIndustrial.com> [retrieved on Sep. 27, 2017]. Retrieved from the internet: <URL: http://www.globalindustrial.com/p/work-benches/service-bench/mobile/enclosed-flat-top-shelf-tray-lower-shelf-cart-with-8-pneumatic-casters-1?InfoParam.campaignId=T9F&gclid=EAlalQobChMlmbGFkJjG1glVBgdpcCh1DuQ_XEAQYAiABEgJNQPd_BwE>.

Rubbermaid, RCP-IS4091 [online]. Rubbermaid Commercial Products. <http://www.rubbermaidcommercial.com>, 1998. Retrieved from the internet: <URL: http://www.rubbermaidcommercial.com/rcp/ObjectServer?table=PDFs&id=468&name=RCP_IS4091.pdf>.

Rubbermaid, RCP-IS4095 [online]. Rubbermaid Commercial Products. <http://www.rubbermaidcommercial.com>, 1998. Retrieved from the internet: <URL: http://www.rubbermaidcommercial.com/rcp/ObjectServer?table=PDFs&id=470&name=RCP_IS4095.pdf>.

Rubbermaid Cleaning: 9T85 Locking Cabinet Door Kit, Rubbermaid Commercial Products [online]. <http://www.rubbermaidcommercial.com> [retrieved on Sep. 27, 2017]. Retrieved from the internet: <URL: http://www.rubbermaidcommercial.com/rcp/products/detail.jsp?categoryCode=cleaning&subCategoryCode=cleaning_cleaning_carts&rcpNum=9T85&categoryCode_subCategoryCode_rcpNum=cleaning_cleaning_cleaning_carts_9T85>.

Refuse & Utility Bins, Rubbermaid Commercial Products [online]. <http://www.rubbermaidcommercial.com>, Dec. 31, 2001. Retrieved from the internet: <URL: www.rubbermaidcommercial.com/rcp/ObjectServer?table=PDFs&id=569&name=RCP_FS587_Refuse_Utility_Bins.pdf>.

Rubbermaid Value Kit Locking Cabinet for Janitor Cart #02147 (02148) [online]. Direct Supply [retrieved on Sep. 27, 2017]. Retrieved from the internet: <URL: <https://store.directsupply.com/Product/rubbermaid-value-kit-locking-cabinet-janitor-cart-02147-25322>>.

Rubbermaid Utility Cart, Rubbermaid Commercial Products [online]. <http://www.rubbermaidcommercial.com>, Dec. 31, 2002. Retrieved from the internet: <URL: http://www.rubbermaidcommercial.com/rcp/ObjectServer?table=PDFs&id=580&name=RCP_FS592_Utility_Cart.pdf>.

Rubbermaid Utility Cart, Rubbermaid Commercial Products [online]. <http://www.rubbermaidcommercial.com>, Dec. 31, 2002. Retrieved from the internet: <URL: http://www.rubbermaidcommercial.com/rcp/ObjectServer?table=PDFs&id=580&name=RCP_FS592_Utility_Cart.pdf>.

Rubbermaid Utility Cart, Rubbermaid Commercial Products [online]. <http://www.rubbermaidcommercial.com>, Dec. 31, 2002. Retrieved from the internet: <URL: http://www.rubbermaidcommercial.com/rcp/ObjectServer?table=PDFs&id=580&name=RCP_FS592_Utility_Cart.pdf>.

Rubbermaid Utility Cart, Rubbermaid Commercial Products [online]. <http://www.rubbermaidcommercial.com>, Dec. 31, 2002. Retrieved from the internet: <URL: http://www.rubbermaidcommercial.com/rcp/ObjectServer?table=PDFs&id=580&name=RCP_FS592_Utility_Cart.pdf>.

* cited by examiner

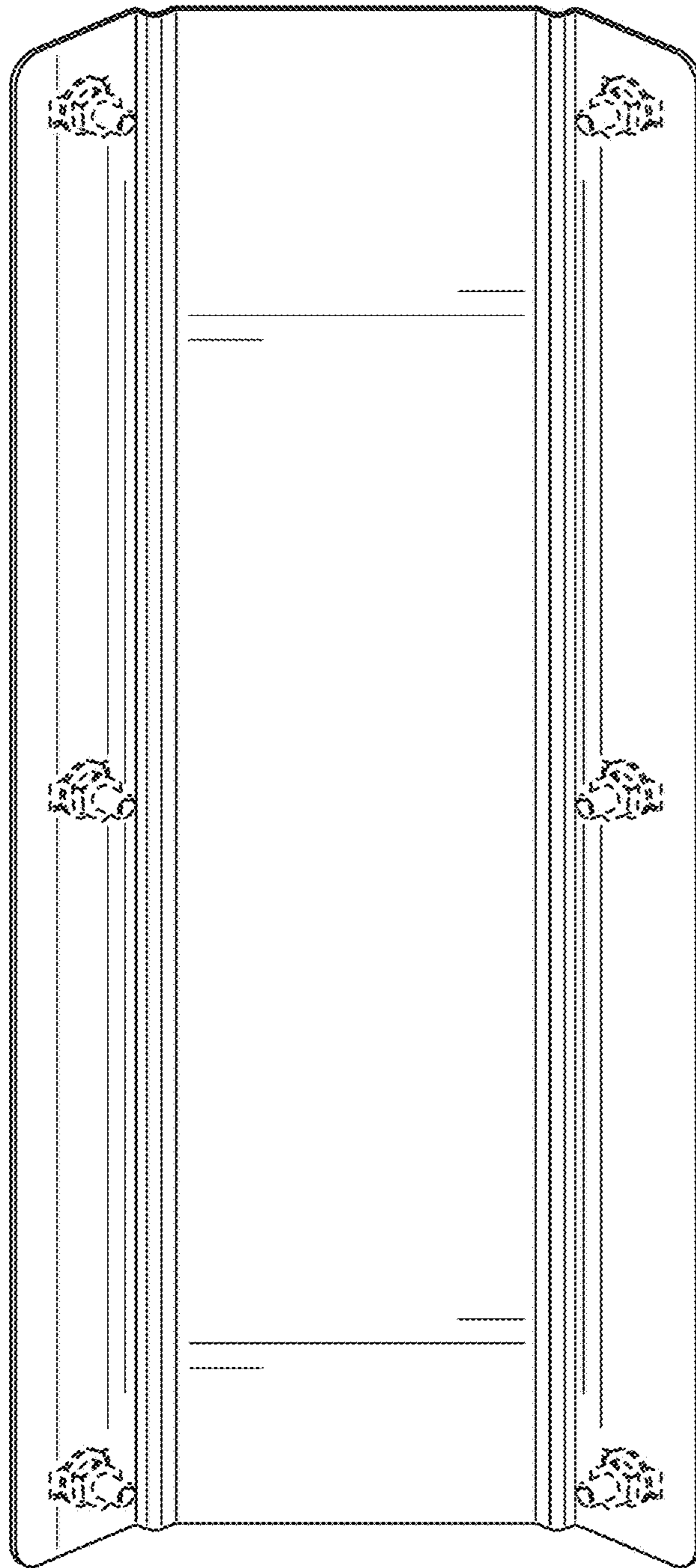


FIG. 1

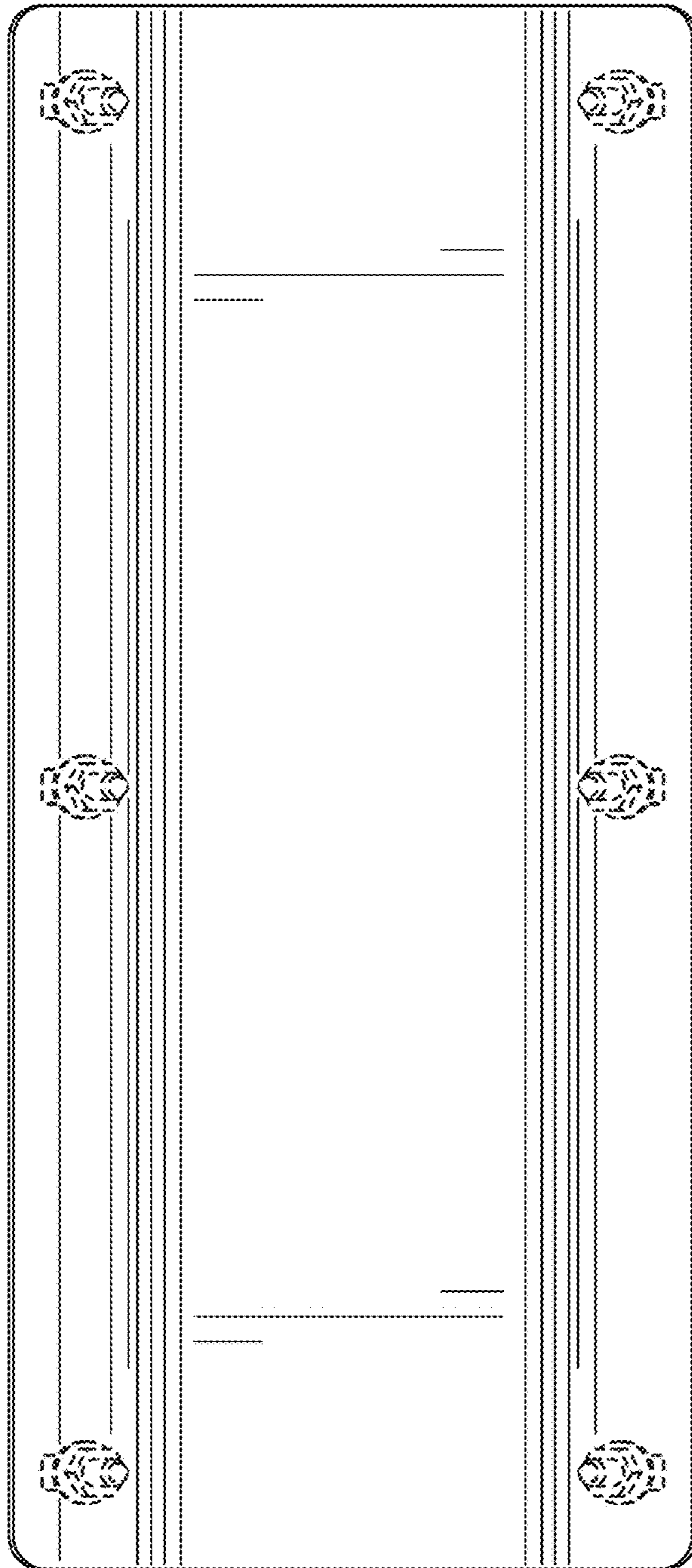


FIG. 2

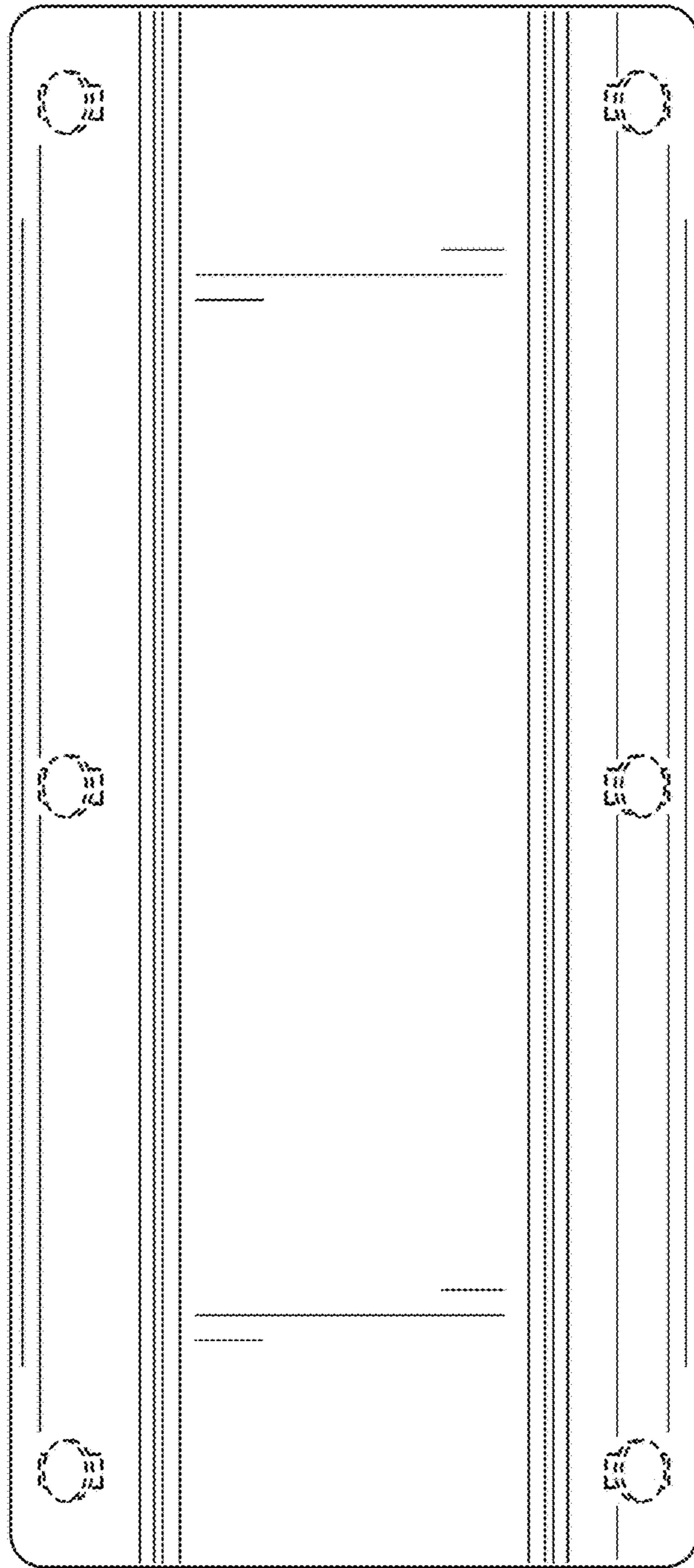


FIG. 3

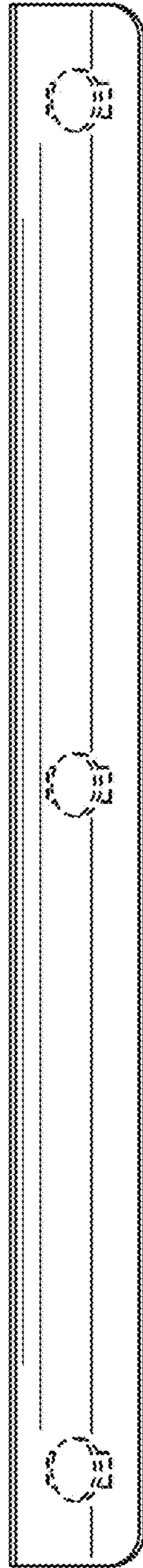


FIG. 4



FIG. 5

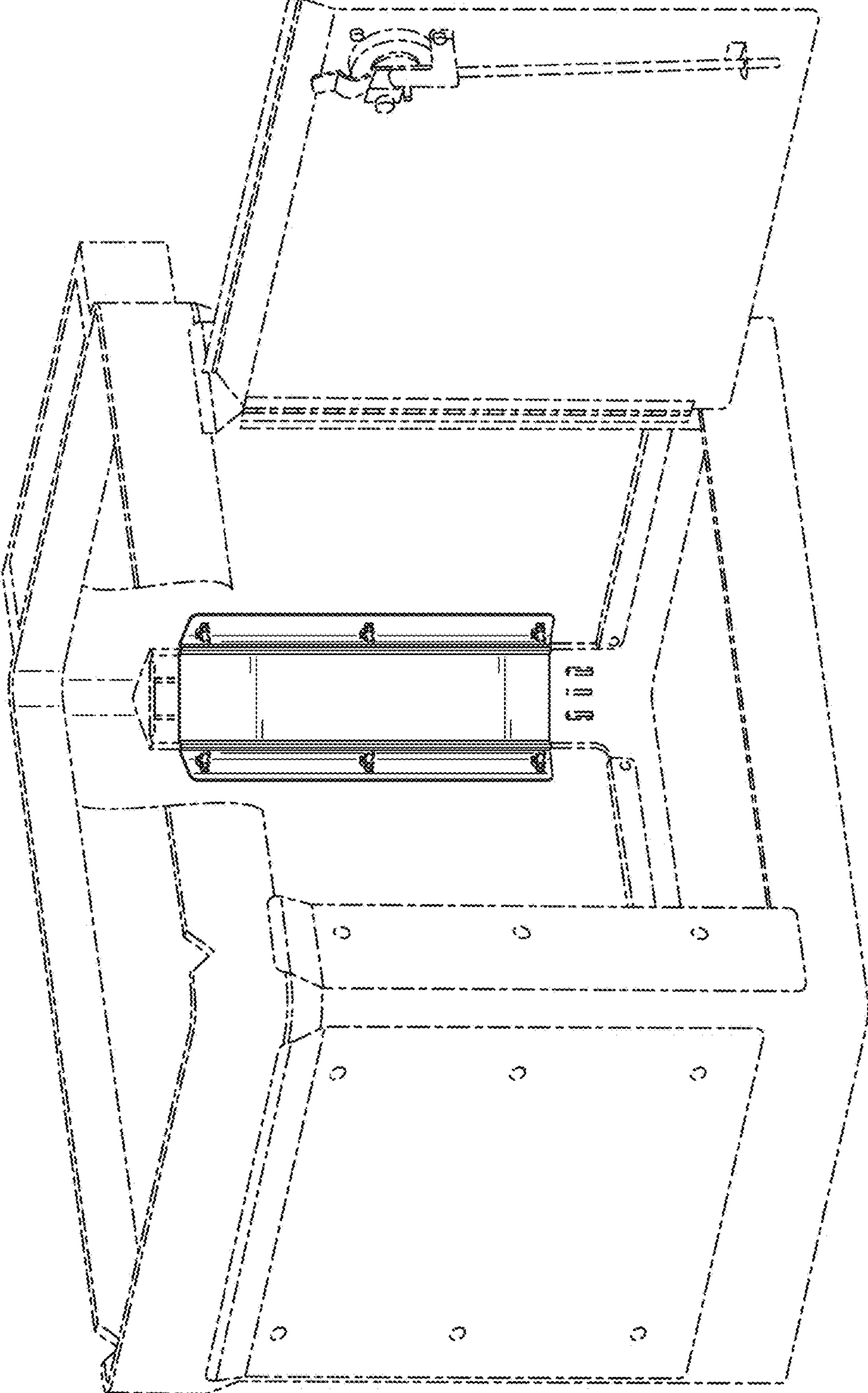


FIG. 6