



US00D834918S

(12) **United States Design Patent**  
**Zheng**

(10) **Patent No.:** **US D834,918 S**

(45) **Date of Patent:** **\*\* Dec. 4, 2018**

(54) **SMART PADLOCK**

(71) Applicant: **ZHEJIANG PUJIANG  
PLUM-BLOSSOM LOCK  
INDUSTRY (GROUP) CO., LTD.,  
Puijiang (CN)**

(72) Inventor: **Yongjin Zheng, Puijiang (CN)**

(73) Assignee: **ZHEJIANG PUJIANG  
PLUM-BLOSSOM LOCK  
INDUSTRY, Puijiang (CN)**

(\*\*) Term: **15 Years**

(21) Appl. No.: **29/626,346**

(22) Filed: **Nov. 16, 2017**

(30) **Foreign Application Priority Data**

Oct. 12, 2017 (CN) ..... 2017 3 0485485

(51) **LOC (11) Cl.** ..... **08-07**

(52) **U.S. Cl.**  
USPC ..... **D8/334**

(58) **Field of Classification Search**  
USPC ..... D8/300–302, 324, 330, 331, 333, 334,  
D8/335, 336, 339, 343, 349; 70/14, 20,  
70/24–29, 31, 35, 38 R, 40–48, 158, 160,  
70/448, 452, 466, 57, 57.1, 237–258,  
70/DIG. 26, DIG. 37; 292/348, 350, 357  
CPC ..... E05B 71/00; E05B 17/00; E05B 1/0007;  
E05B 37/22; E05B 37/08; E05B 9/00;  
B62H 5/00; B62H 5/02; B62H 5/14  
See application file for complete search history.

(56) **References Cited**

**U.S. PATENT DOCUMENTS**

D575,626 S \* 8/2008 Basche ..... D8/334  
D582,753 S \* 12/2008 Basche ..... D8/334

D638,279 S \* 5/2011 Plato ..... D8/334  
D722,861 S \* 2/2015 Chen ..... D8/334  
D741,143 S \* 10/2015 Grainger ..... D8/334  
D746,660 S \* 1/2016 Stevens ..... D8/334  
D781,131 S \* 3/2017 Nguyen ..... D8/334  
D803,028 S \* 11/2017 Lee ..... D8/334  
D813,645 S \* 3/2018 Nguyen ..... D8/334  
2011/0023563 A1 \* 2/2011 Huang ..... E05B 35/007  
70/31  
2017/0208711 A1 \* 7/2017 Yang ..... H05K 9/0081

\* cited by examiner

*Primary Examiner* — Ian Simmons

*Assistant Examiner* — Yolanda Robinson

(74) *Attorney, Agent, or Firm* — Hemisphere Law, PLLC;  
Zhigang Ma

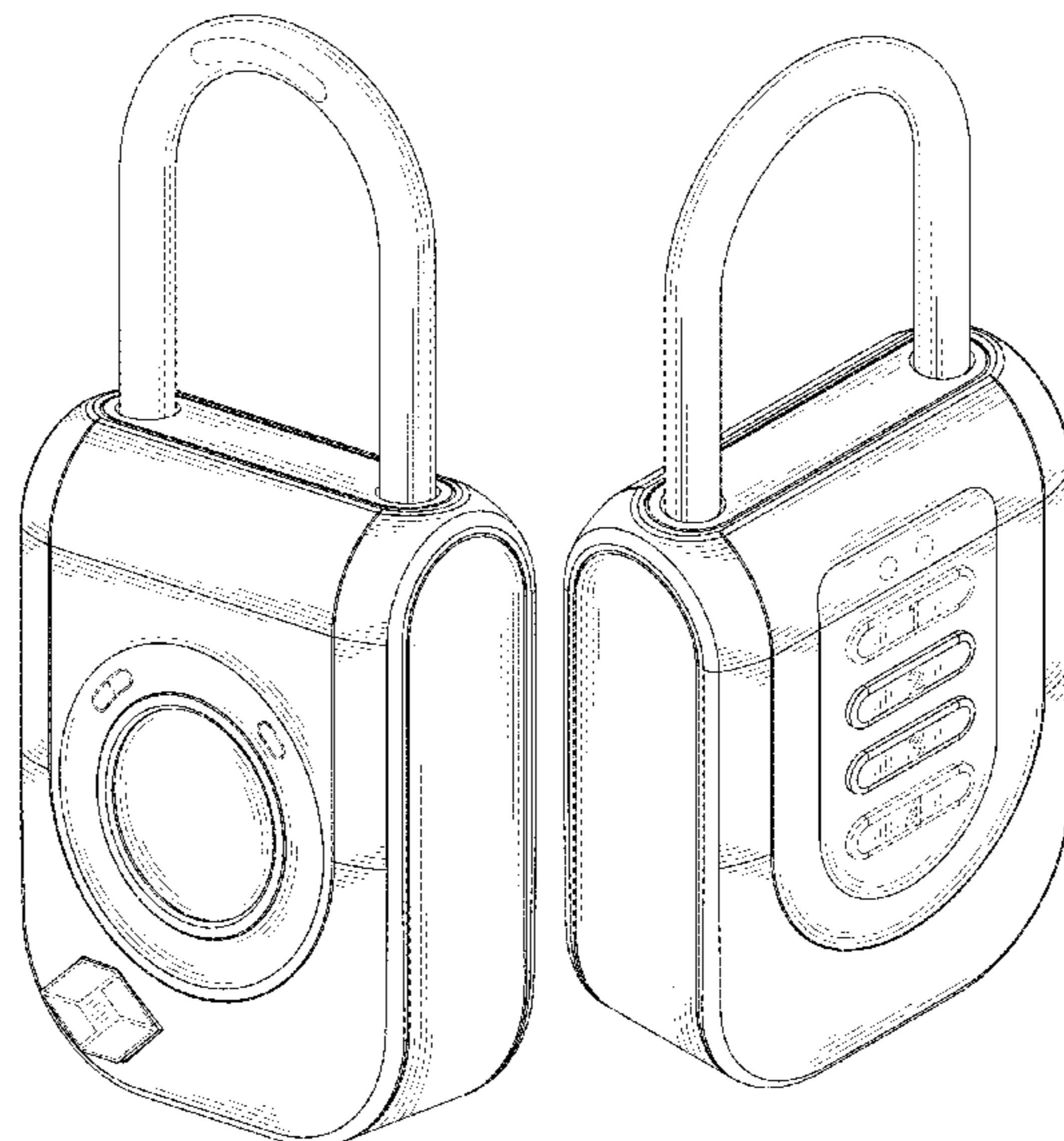
(57) **CLAIM**

The ornamental design for a smart padlock, as shown and described.

**DESCRIPTION**

FIG. 1 is a perspective view of a smart padlock, showing my new design;  
FIG. 2 is another perspective view of a smart padlock, showing my new design;  
FIG. 3 is a front view thereof;  
FIG. 4 is a rear view thereof;  
FIG. 5 is a left side view thereof;  
FIG. 6 is a right side view thereof;  
FIG. 7 is a top plan view thereof; and,  
FIG. 8 is a bottom plan view thereof.  
The broken lines shown are included for the purpose of illustrating portions of the smart padlock which form no part of the claimed design.

**1 Claim, 6 Drawing Sheets**



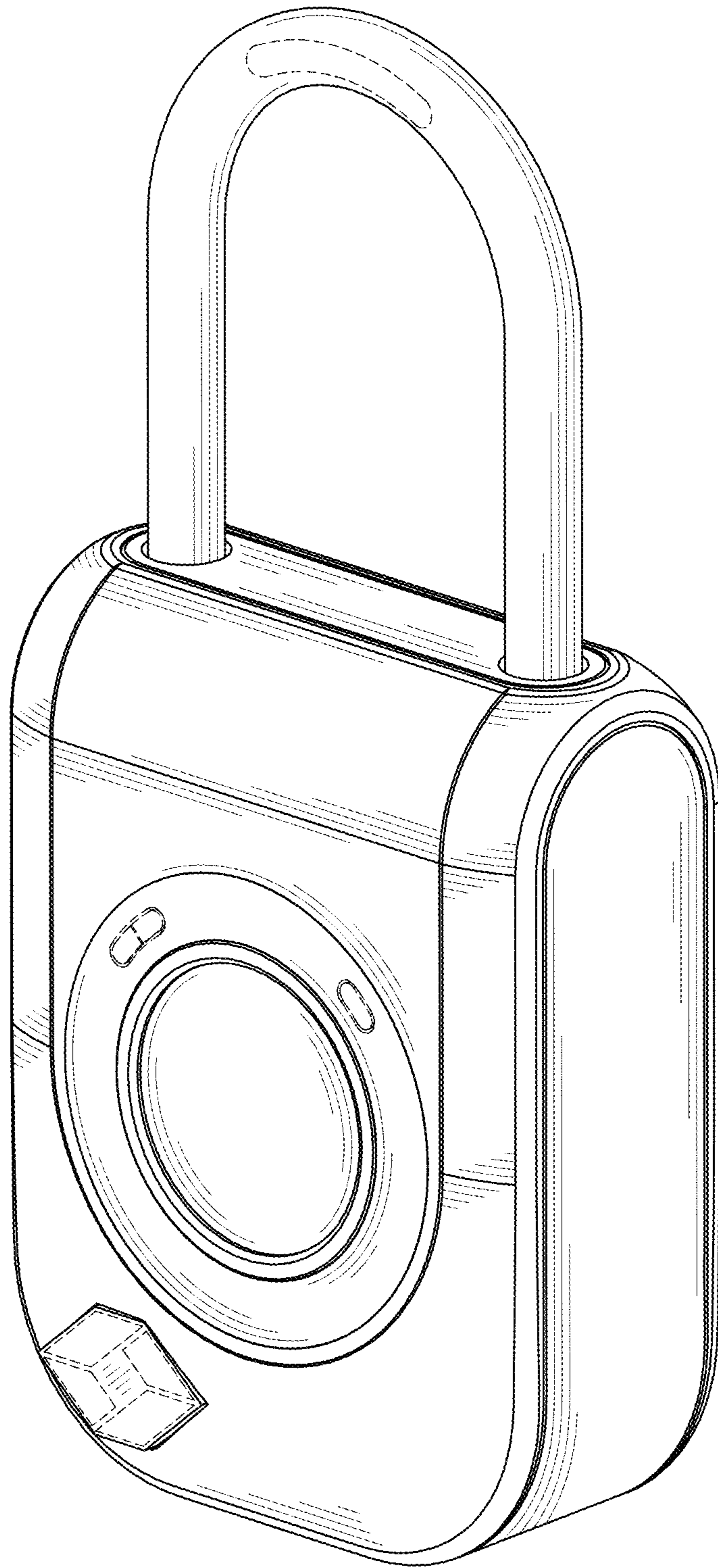


FIG. 1

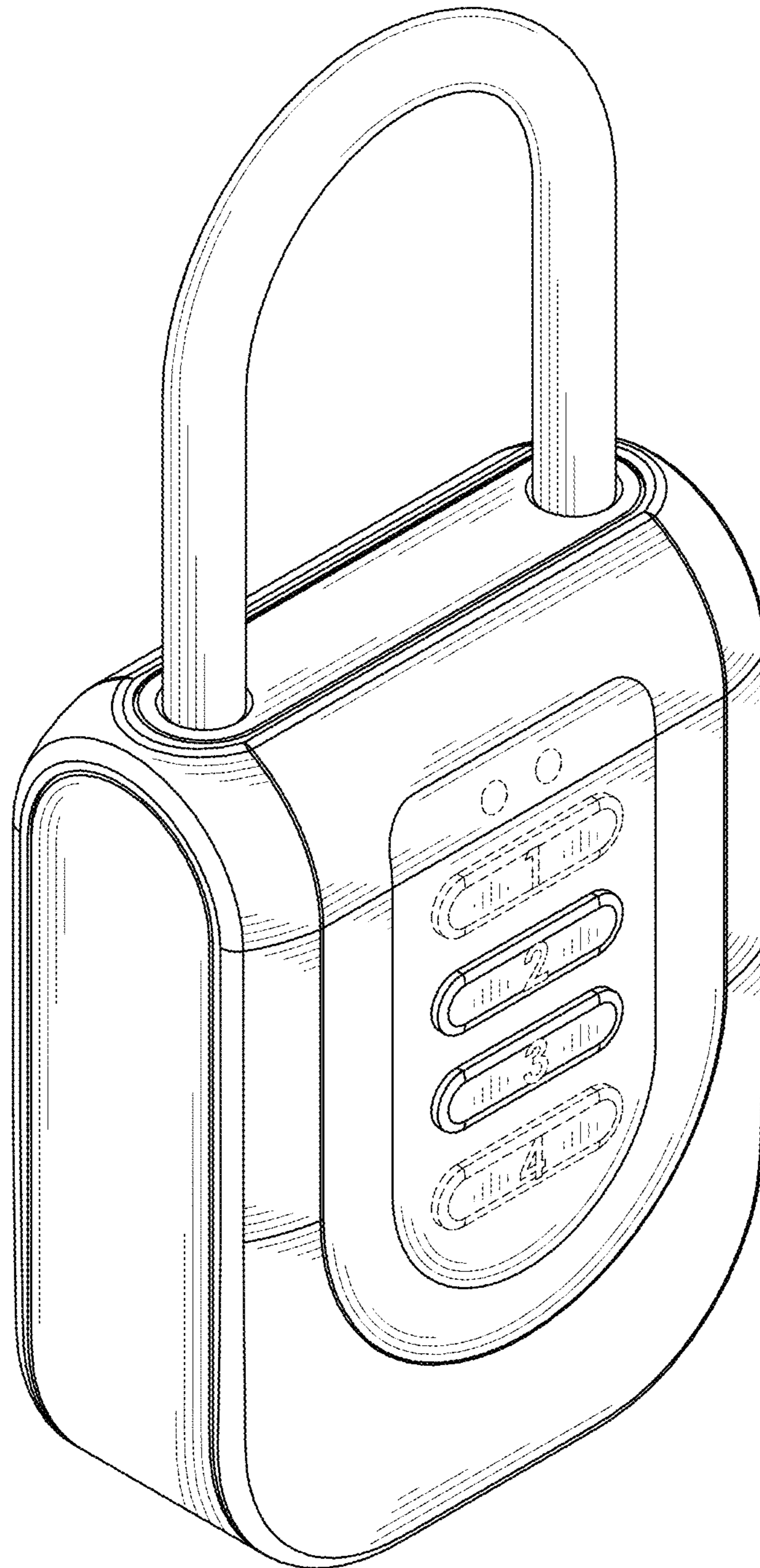


FIG. 2



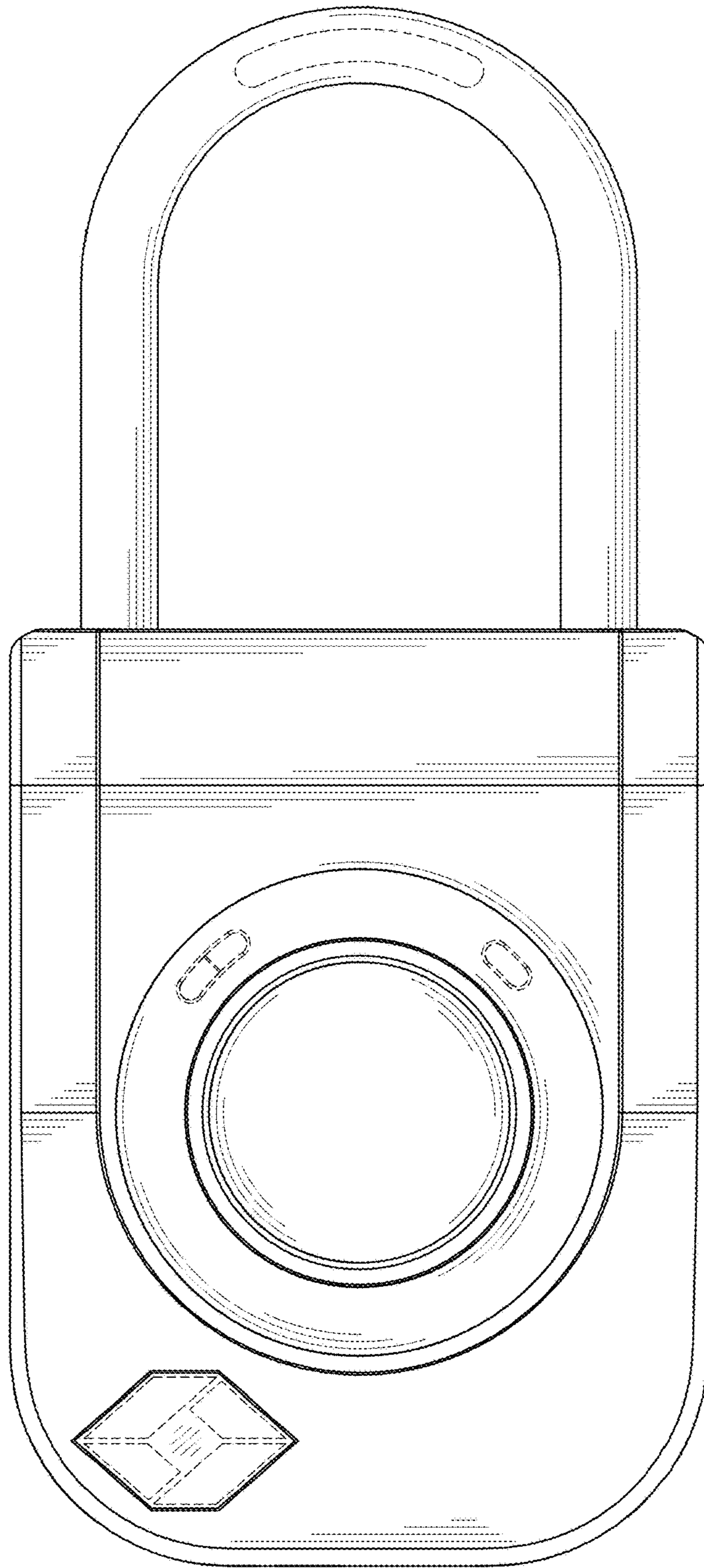


FIG. 3

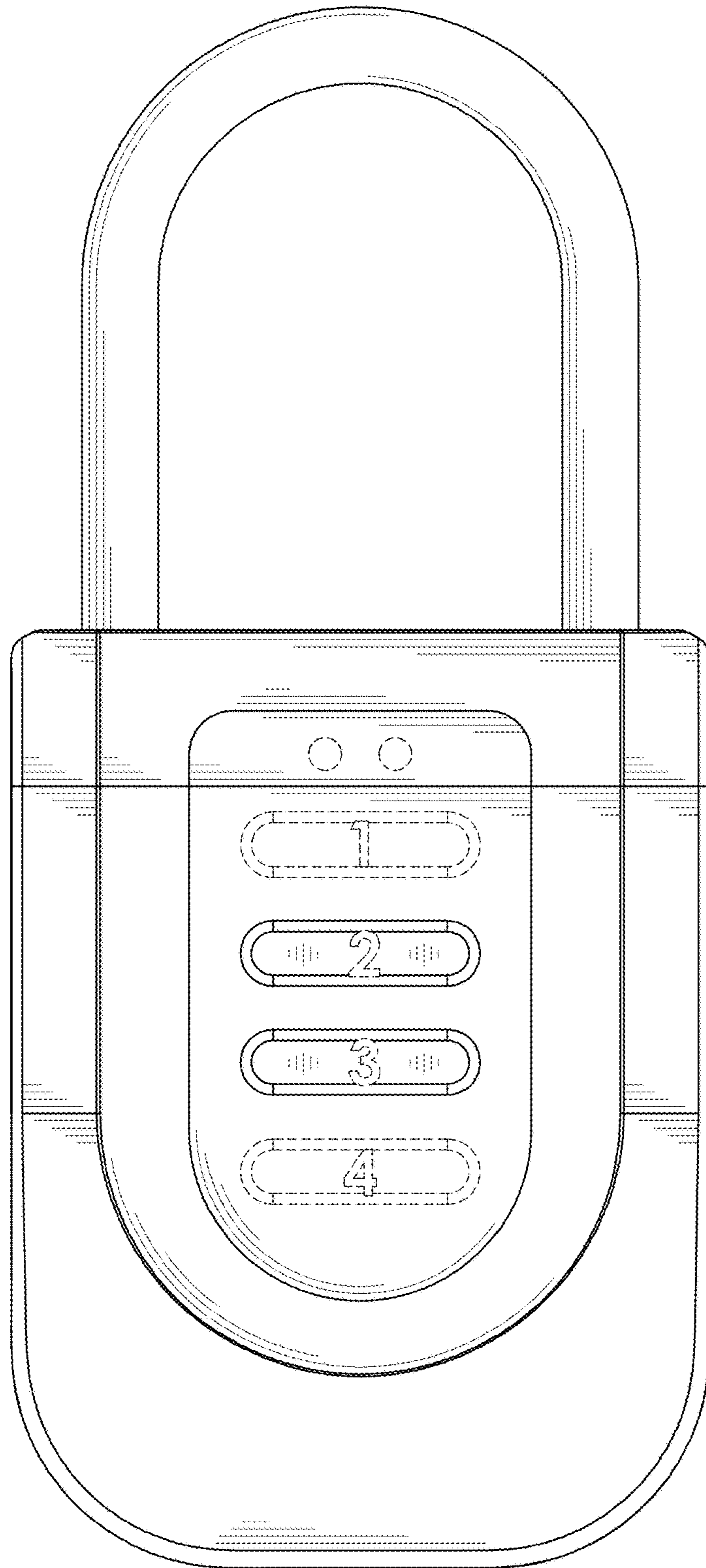


FIG. 4

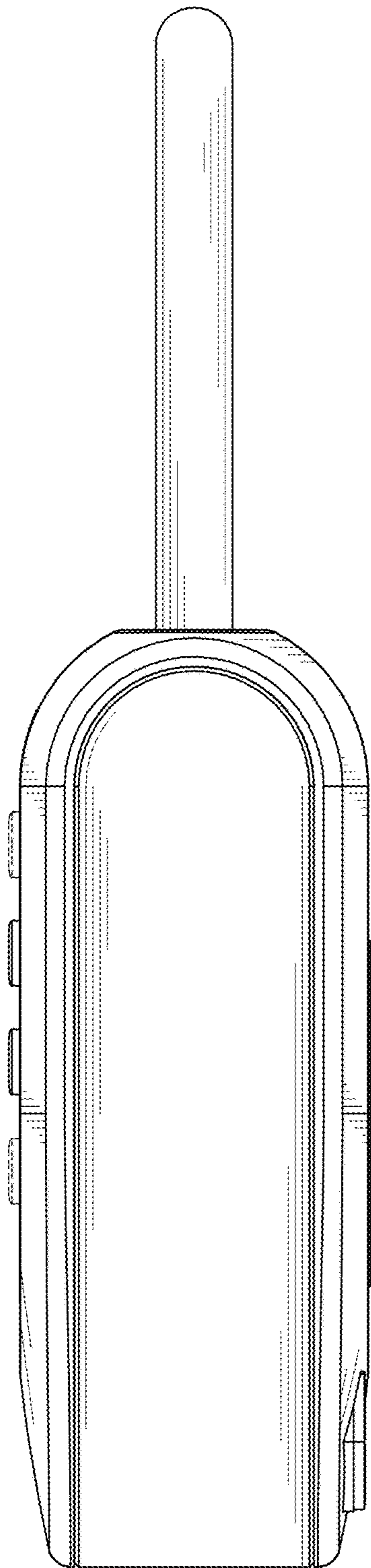


FIG. 5

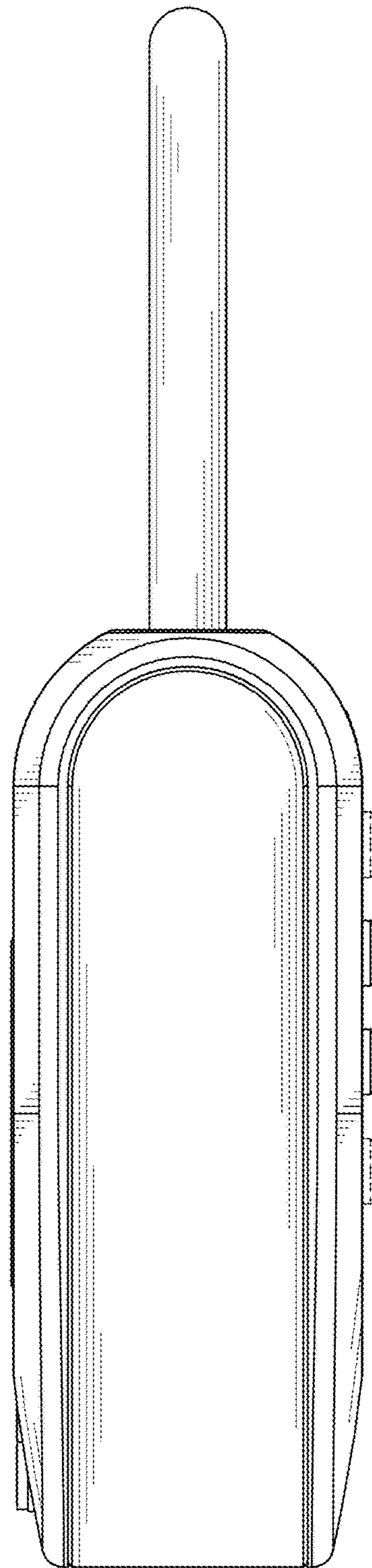


FIG. 6

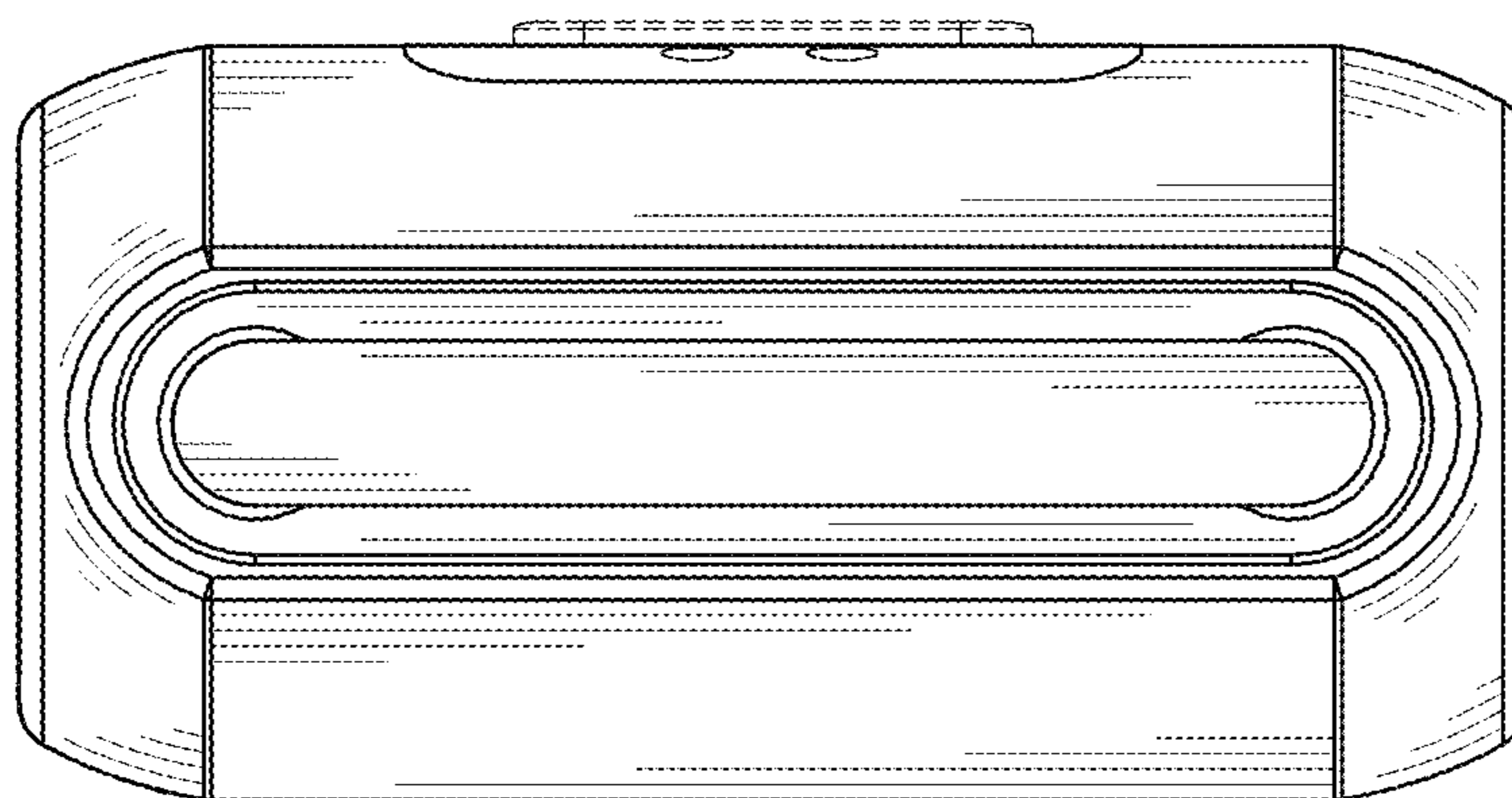


FIG. 7

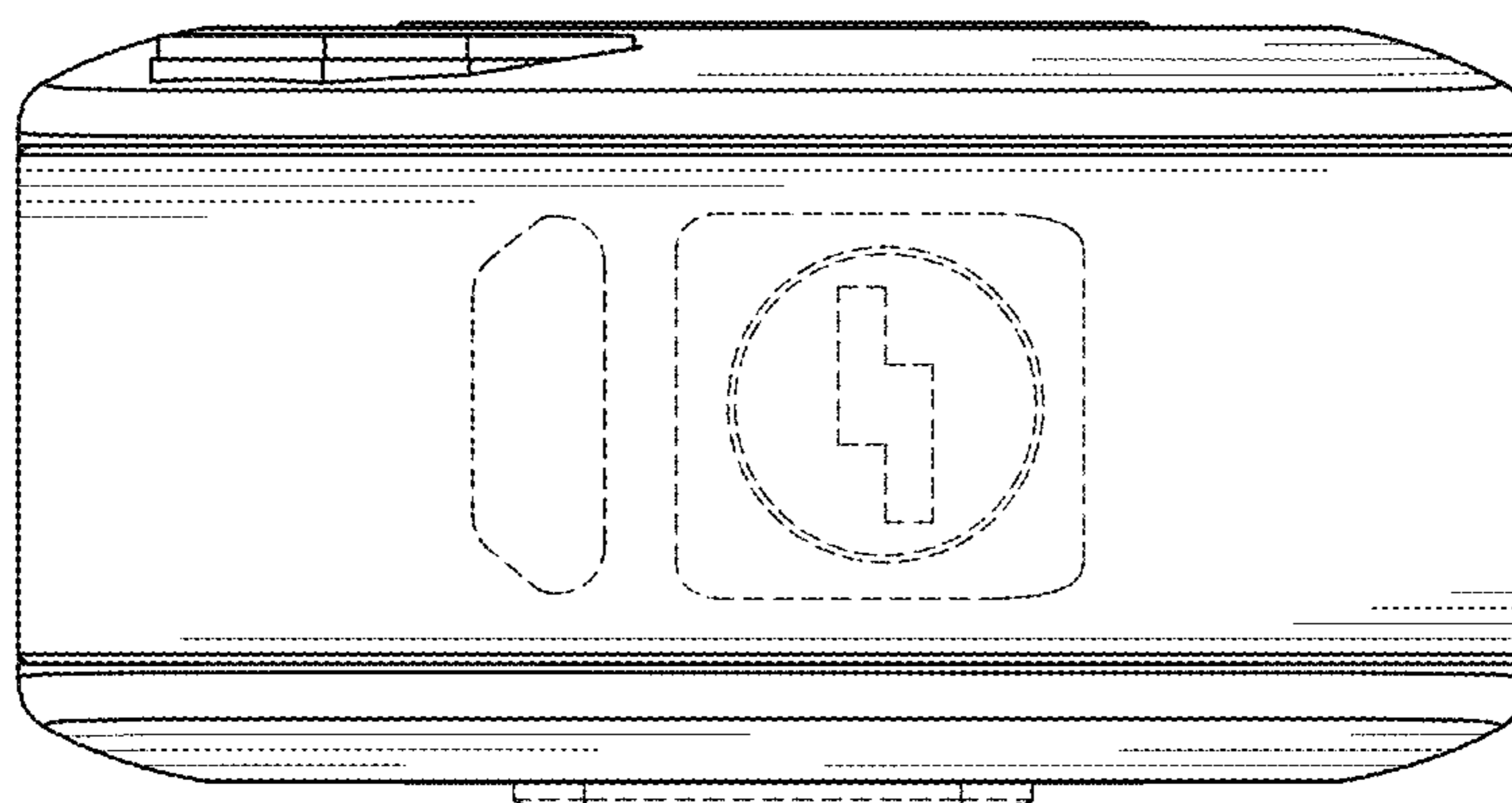


FIG. 8