



US00D834916S

(12) **United States Design Patent** (10) **Patent No.:** **US D834,916 S**
Lu (45) **Date of Patent:** **** Dec. 4, 2018**

(54) **HINGE**
(71) Applicant: **Dongguan Weihong Hardware and Plastic Products Co., Ltd., Dongguan (CN)**
(72) Inventor: **Wei Lu, Dongguan (CN)**
(73) Assignee: **DONGGUAN WEIHONG HARDWARE AND PLASTIC PRODUCTS CO., LTD., Dongguan (CN)**

(**) Term: **15 Years**

(21) Appl. No.: **29/623,334**

(22) Filed: **Oct. 24, 2017**

(51) **LOC (11) Cl.** **08-06**

(52) **U.S. Cl.**
USPC **D8/323**

(58) **Field of Classification Search**
USPC D8/323, 328, 327; 16/374; D14/440
CPC .. E05D 1/00; E05D 11/06; E05D 5/10; E05D 3/02; A47K 13/12
See application file for complete search history.

(56) **References Cited**

U.S. PATENT DOCUMENTS

| | | | | | |
|-----------|------|---------|--------|-------|------------|
| 6,345,679 | B1 * | 2/2002 | Sasaki | | B60R 21/38 |
| | | | | | 180/271 |
| D652,706 | S * | 1/2012 | Osaki | | D8/323 |
| D717,633 | S * | 11/2014 | Lu | | D8/323 |
| D719,434 | S * | 12/2014 | Lu | | D8/323 |
| D737,655 | S * | 9/2015 | Oota | | D8/323 |

| | | | | | |
|--------------|------|---------|----------|-------|-------------|
| D744,808 | S * | 12/2015 | Lu | | D8/323 |
| D758,164 | S * | 6/2016 | Lu | | D8/323 |
| D782,834 | S * | 4/2017 | Lu | | D6/323 |
| D782,898 | S * | 4/2017 | Lu | | D6/716.5 |
| D783,383 | S * | 4/2017 | Lu | | D6/716.5 |
| D817,146 | S * | 5/2018 | Weldon | | D8/323 |
| 2003/0218113 | A1 * | 11/2003 | Sullivan | | F16M 13/00 |
| | | | | | 248/346.07 |
| 2004/0103476 | A1 * | 6/2004 | Barcesat | | A47C 20/041 |
| | | | | | 5/618 |
| 2004/0194213 | A1 * | 10/2004 | Weinman | | A47C 20/041 |
| | | | | | 5/618 |
| 2014/0259388 | A1 * | 9/2014 | Manson | | A61G 7/053 |
| | | | | | 5/37.1 |
| 2016/0088945 | A1 * | 3/2016 | Lu | | A47C 7/38 |
| | | | | | 297/463.1 |
| 2016/0227934 | A1 * | 8/2016 | Lu | | F16H 21/44 |

* cited by examiner

Primary Examiner — Cynthia R Underwood
(74) *Attorney, Agent, or Firm* — Shimokaji IP

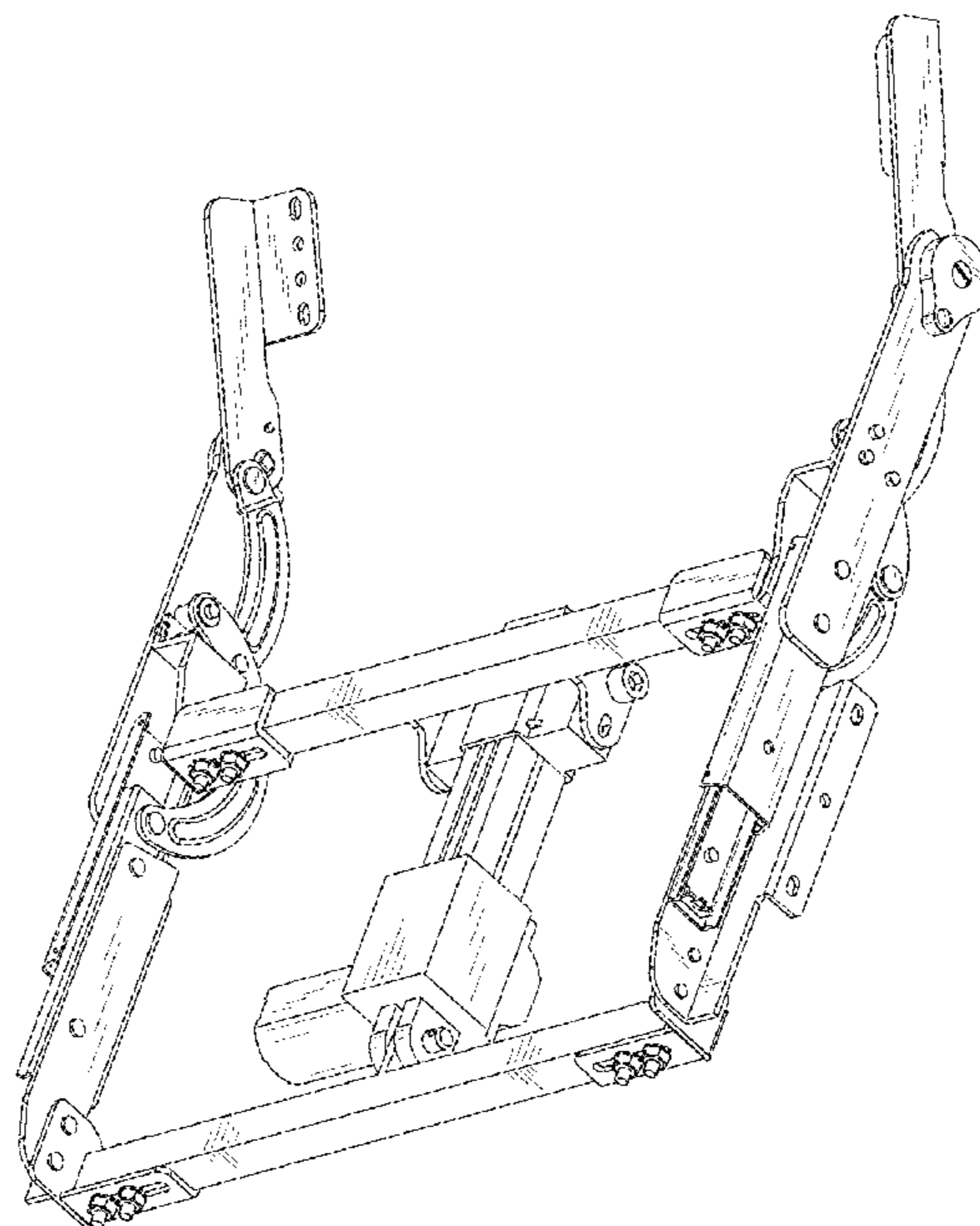
(57) **CLAIM**

The ornamental design for a hinge, as shown and described.

DESCRIPTION

FIG. 1 is a front elevational view of a hinge showing my new design;
FIG. 2 is a rear elevational view thereof;
FIG. 3 is a left side elevational view thereof;
FIG. 4 is a right side elevational view thereof;
FIG. 5 is a top plan view thereof;
FIG. 6 is a bottom plan view thereof;
FIG. 7 is a first perspective view thereof; and,
FIG. 8 is a second perspective view thereof.

1 Claim, 6 Drawing Sheets



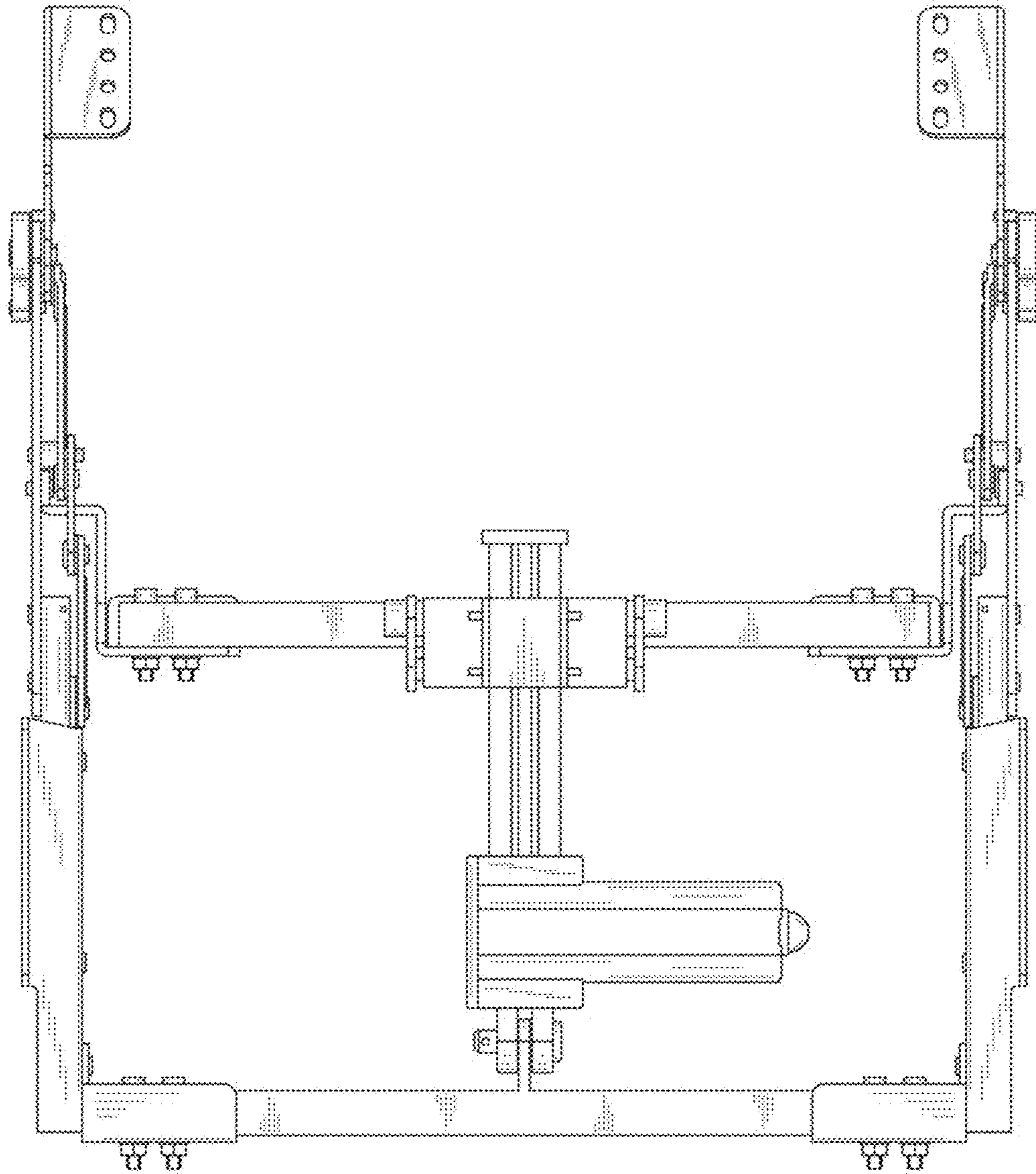


FIG. 1

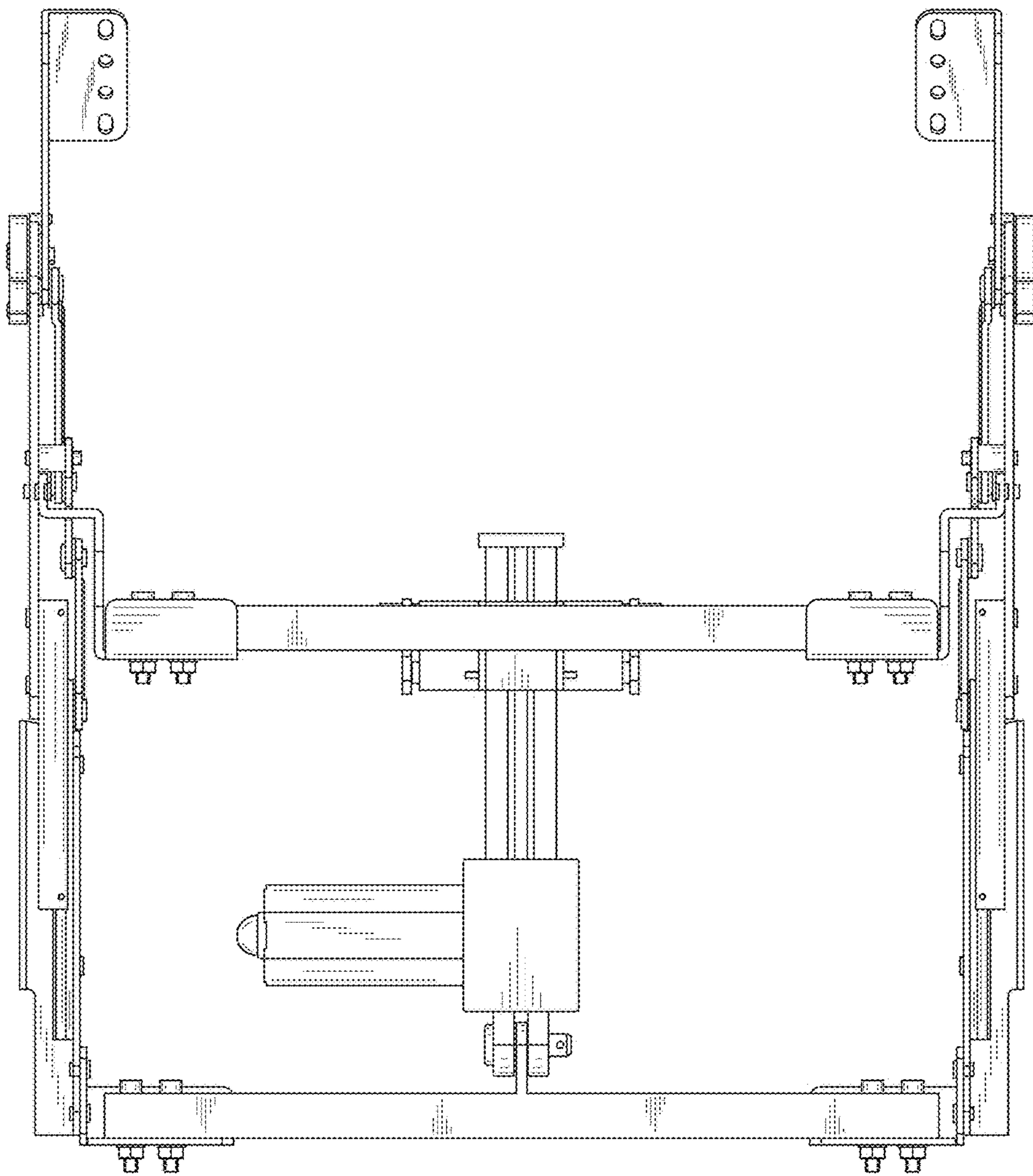


FIG.2

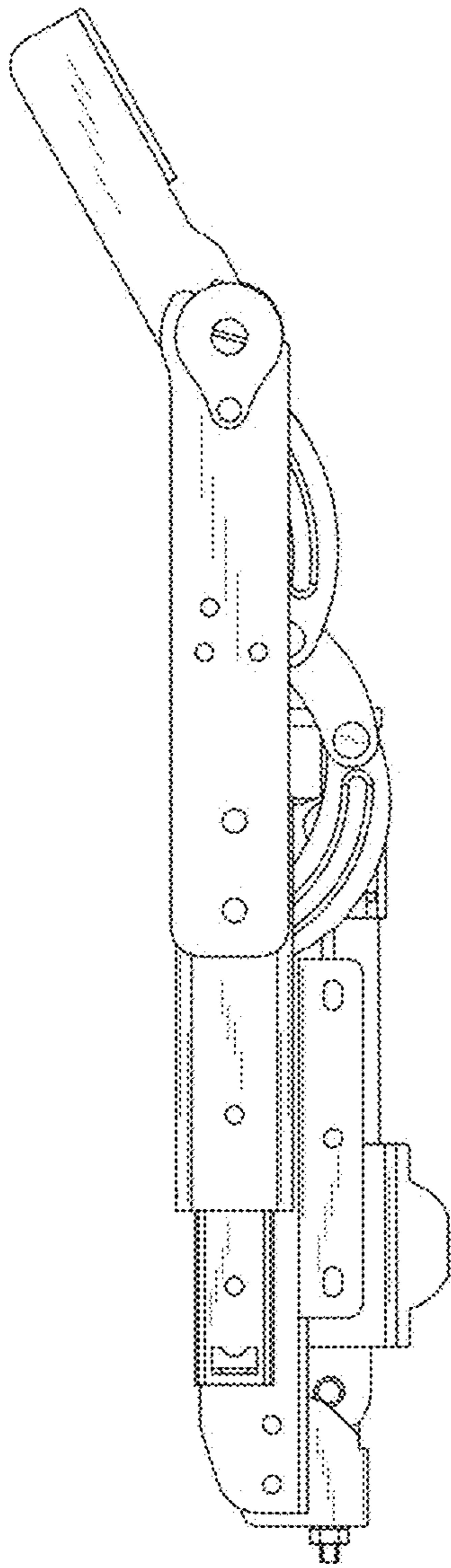


FIG. 3

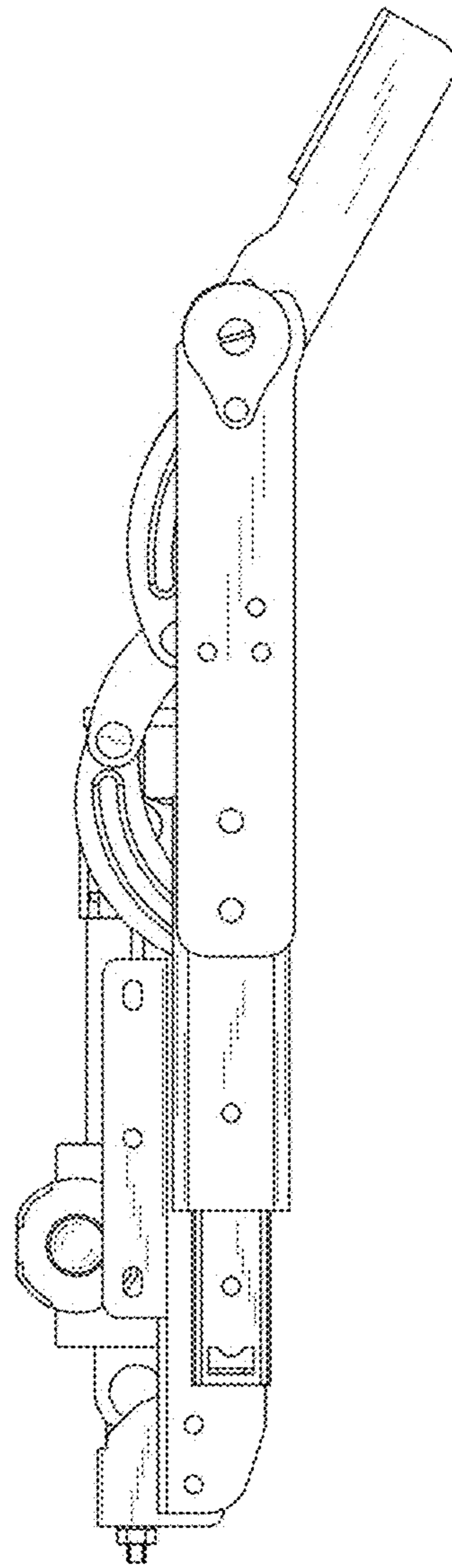


FIG. 4

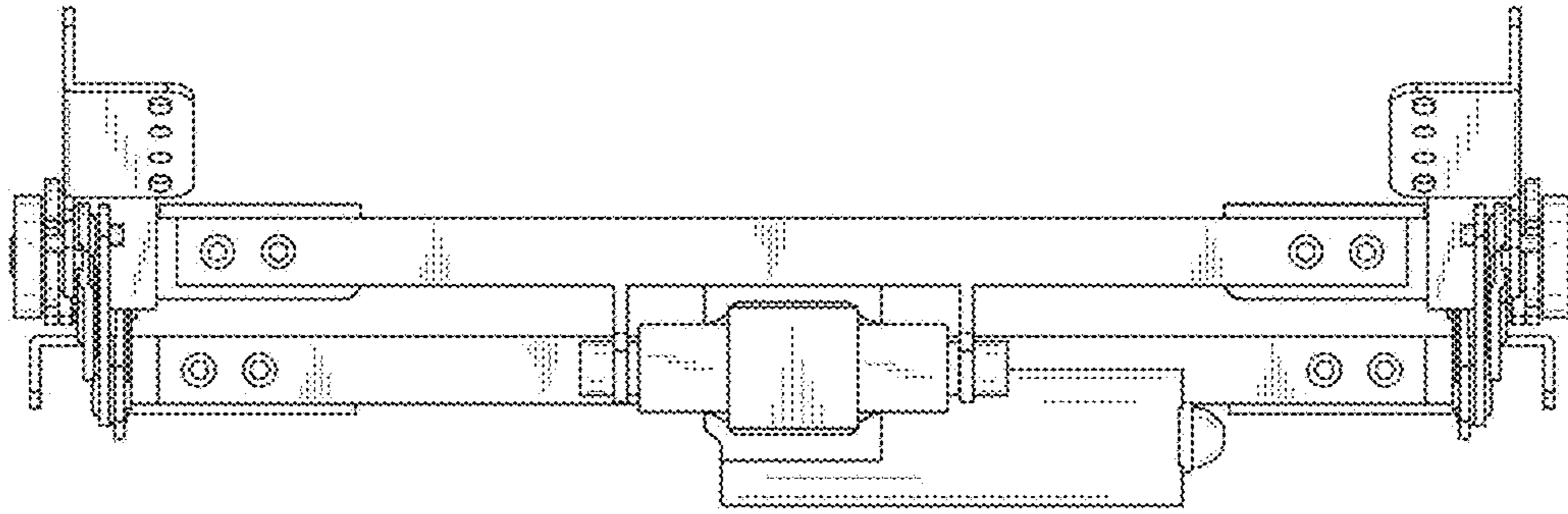


FIG. 5

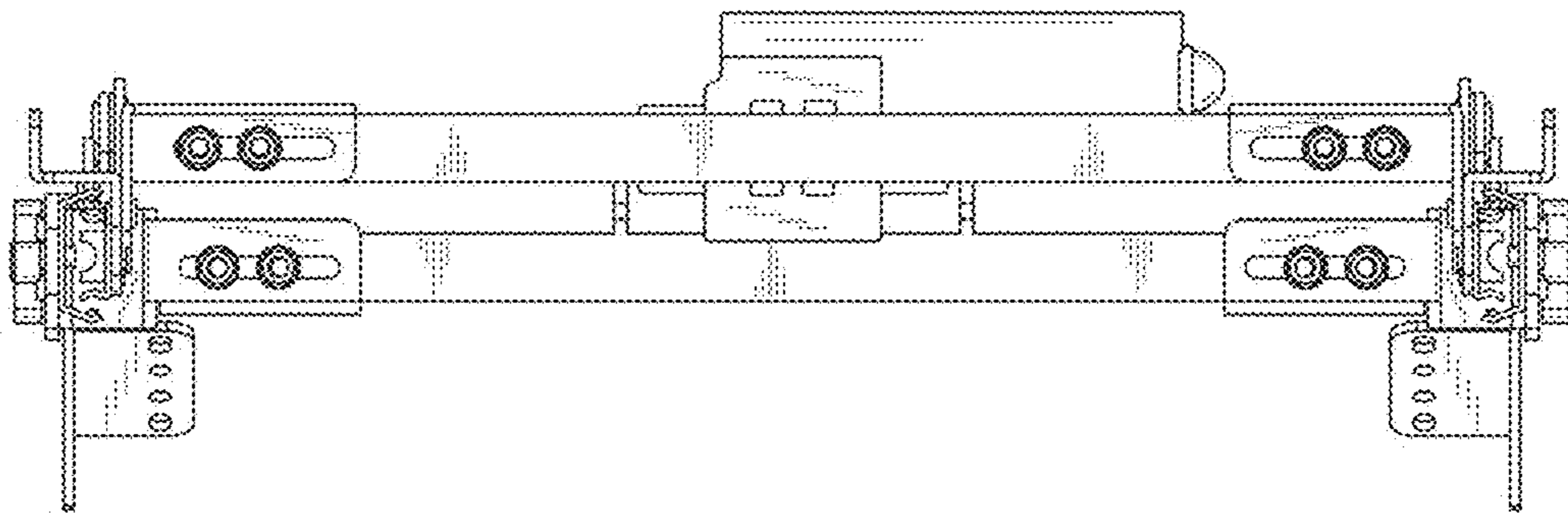


FIG. 6

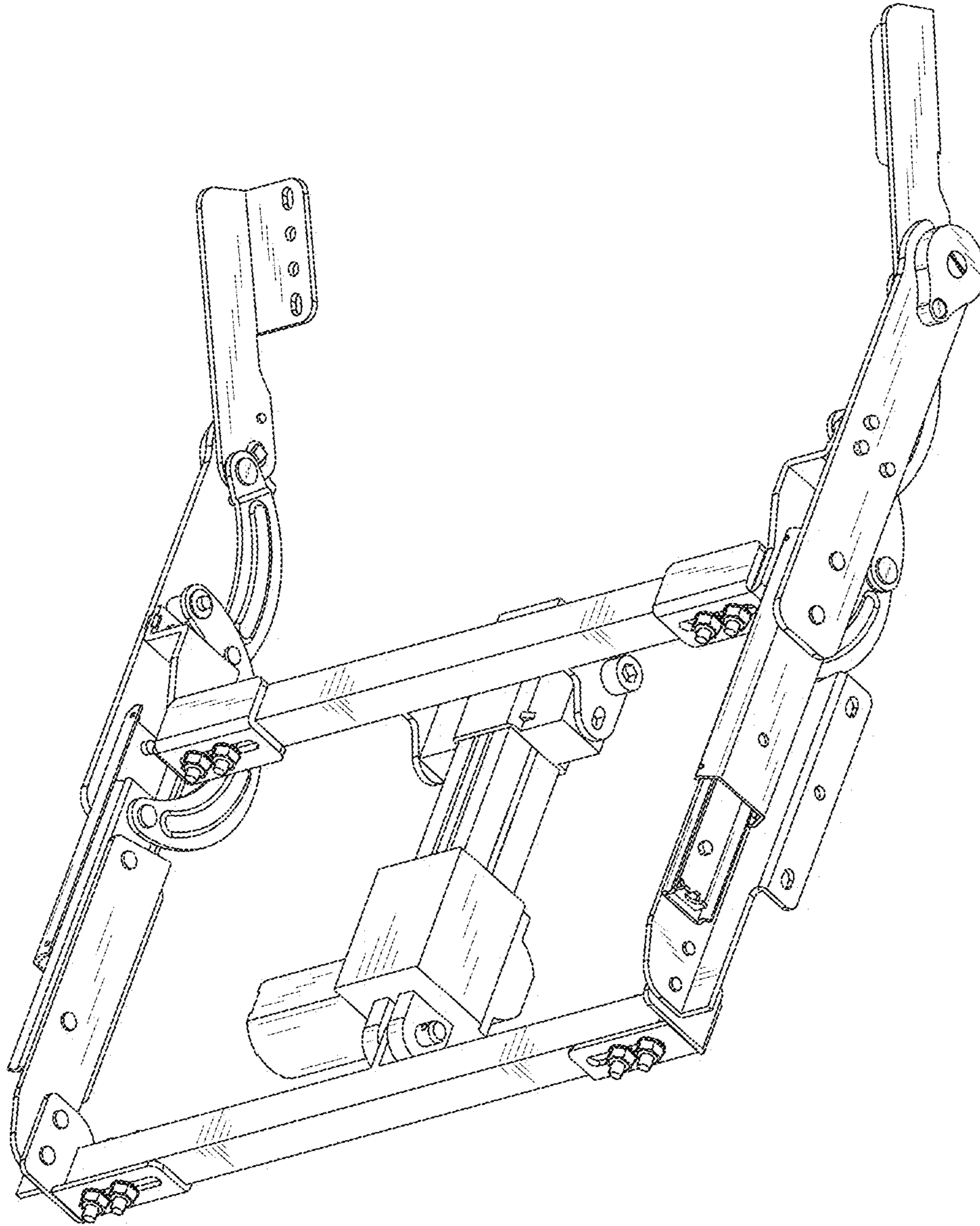


FIG. 7

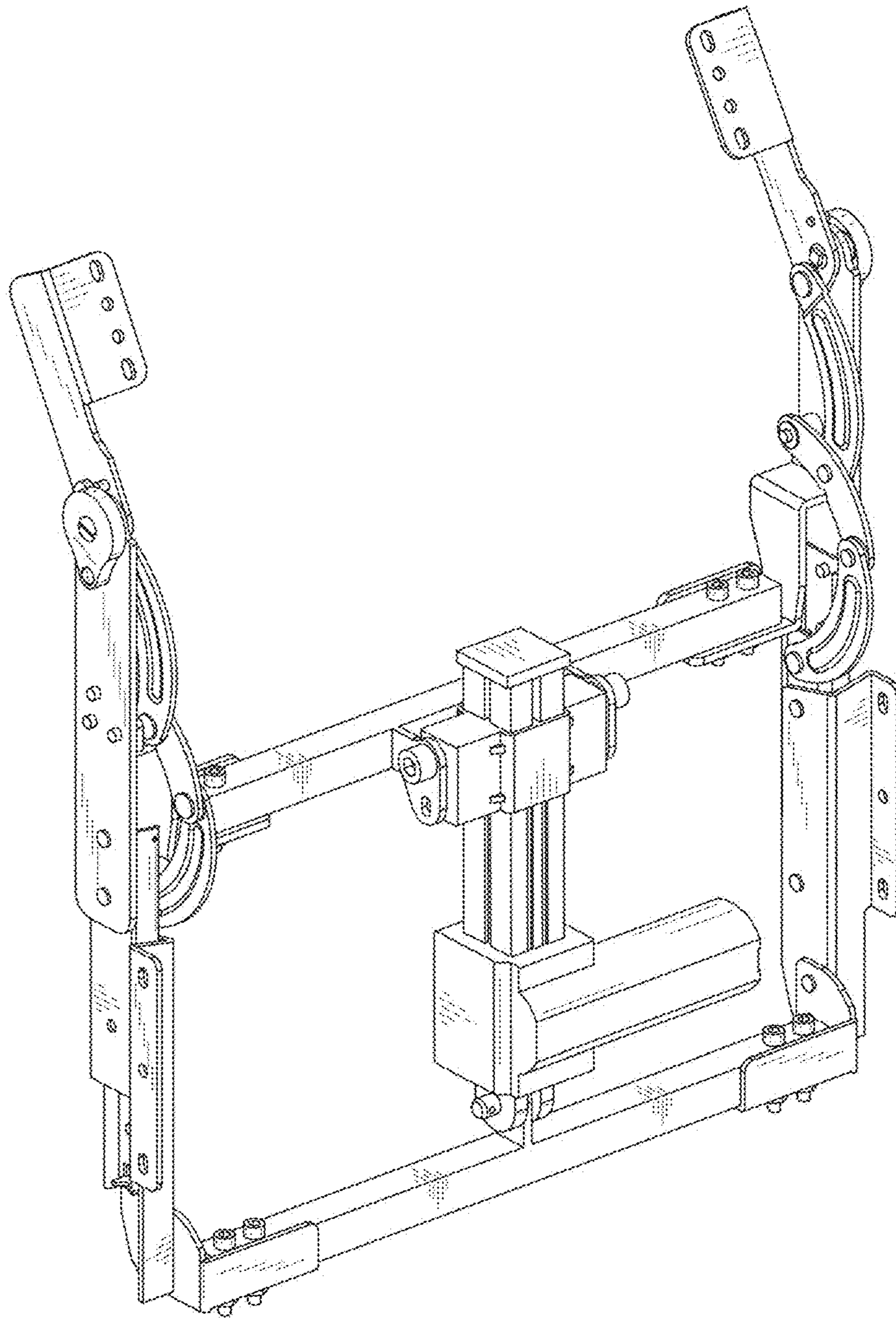


FIG.8