



US00D834914S

(12) **United States Design Patent** (10) **Patent No.:** **US D834,914 S**
Nesbitt (45) **Date of Patent:** **** Dec. 4, 2018**

(54) **BRAKE BIAS ADJUSTER KNOB**
(71) Applicant: **Innovatech, LLC**, Chicago, IL (US)
(72) Inventor: **Bruce Nesbitt**, Chicago, IL (US)
(73) Assignee: **Innovatech, LLC**, Chicago, IL (US)

(56) **References Cited**

U.S. PATENT DOCUMENTS

1,692,605 A 11/1928 Wolf
D87,511 S 8/1932 Duncan
2,290,249 A 7/1942 Piperoux
D143,100 S 12/1945 Stanitz

(Continued)

FOREIGN PATENT DOCUMENTS

DE 10138116 C1 5/2003

OTHER PUBLICATIONS

Pegasus Auto Racing Supplies, Tilton Dual Pedail Asmy 5.5 Ratio, Overhung Mt, Aluminum, Printed from <https://www.pegasusautoracing.com/productdetails.asp?RecId=6395&utm.sub.-- -source=Google> . . . on Oct. 5, 2013 (1 Page).

(Continued)

Primary Examiner — Lauren R Calve

(74) *Attorney, Agent, or Firm* — Neal, Gerber & Eisenberg LLP

(**) Term: **15 Years**

(21) Appl. No.: **29/625,977**

(22) Filed: **Nov. 14, 2017**

(51) **LOC (11) Cl.** **08-06**

(52) **U.S. Cl.**
USPC **D8/307**

(58) **Field of Classification Search**
USPC D8/107, 300–302, 307, 312, 321, 338,
D8/343, 397, 399; D7/393–396;
292/336.3; 74/551.8, 551.9, 553, 554,
74/555, 556, 557; 70/177; 16/110.1,
16/413, 414, 415, 417, 422, 426;
D23/249, 250

CPC ... Y10T 16/469; Y10T 16/44; Y10T 74/2084;
Y10T 74/20828; Y10T 74/20822; Y10T
74/20864; Y10T 292/444; Y10T 292/432;
Y10T 292/42; Y10T 16/4713; Y10T
16/4707; Y10T 16/476; Y10T 16/506;
Y10T 74/20876; Y10T 16/4559; Y10T
292/0902; Y10T 292/1028; Y10T 16/459;
Y10T 292/702; Y10T 292/0934; Y10T
137/7069; Y10T 292/1083; Y10T
403/7062; Y10T 292/1078; Y10T
292/1024; Y10T 74/20396; Y10T
292/0968; Y10T 292/1085; Y10T
292/1061; Y10T 292/1047; Y10T
292/854; Y10T 403/60; Y10S 16/30

See application file for complete search history.

(57) **CLAIM**

The ornamental design for a brake bias adjuster knob, as shown and described.

DESCRIPTION

FIG. 1 is a top perspective view of a brake bias adjuster knob of the new design.

FIG. 2 is a bottom perspective view of the brake bias adjuster knob of FIG. 1.

FIG. 3 is a front view of the brake bias adjuster knob of FIG. 1, the rear view being a mirror image thereof.

FIG. 4 is a left side view of the brake bias adjuster knob of FIG. 1, the right side view being a mirror image thereof.

(Continued)

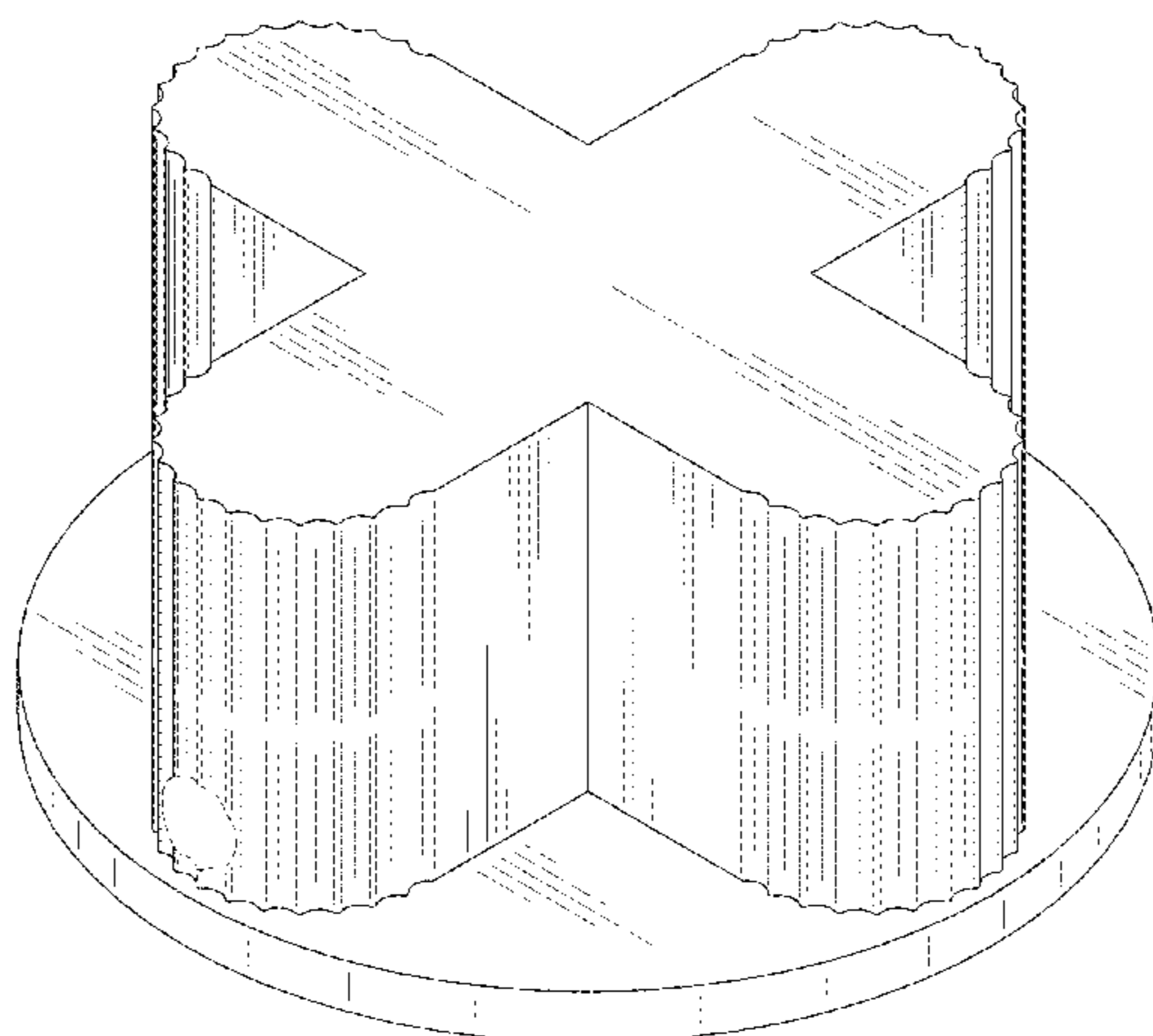


FIG. 5 is a top view of the brake bias adjuster knob of FIG. 1; and,
 FIG. 6 is a bottom view of the brake bias adjuster knob of FIG. 1.
 The broken lines shown represent unclaimed subject matter and form no part of the claimed design.

1 Claim, 6 Drawing Sheets

(56)

References Cited

U.S. PATENT DOCUMENTS

2,444,485	A	7/1948	Aitcheson	
2,532,970	A	12/1950	Van Dyke	
2,539,575	A	1/1951	George	
D167,618	S	9/1952	Coran	
2,658,395	A	11/1953	Coates	
2,746,417	A	5/1956	McCord et al.	
2,773,437	A	12/1956	Knauf	
2,805,636	A	9/1957	Smith	
D187,849	S	5/1960	Kohler	
2,980,055	A	4/1961	Burns	
3,136,294	A	6/1964	Arnold et al.	
D200,186	S	1/1965	Kelly	
3,895,600	A	7/1975	DeLong	
3,934,939	A	1/1976	Hida	
3,949,702	A	4/1976	DeLong	
3,991,702	A	11/1976	Taylor	
4,016,755	A	4/1977	Anderberg et al.	
D268,514	S	4/1983	Thompson	
D291,053	S	7/1987	Decursu	
4,776,438	A	10/1988	Schandelmeier	
D325,425	S	4/1992	Bengtson	
D337,246	S	7/1993	Arden	
D343,348	S	1/1994	Ito	
D377,745	S	2/1997	Laun	
5,646,849	A	7/1997	Walenty et al.	
5,697,260	A	12/1997	Rixon et al.	
D398,214	S	9/1998	Yui	
5,819,593	A	10/1998	Rixon et al.	
5,950,245	A	9/1999	Binduga	
D417,827	S	12/1999	Gillman	
6,154,928	A	12/2000	Thom	
6,357,291	B1	3/2002	Jenness et al.	
D464,249	S	10/2002	Laabs et al.	
6,457,208	B1	10/2002	Keith	
D466,195	S	11/2002	Marshall	
6,513,200	B2	2/2003	Yang	
6,516,683	B2	2/2003	Sundaresan et al.	
D472,947	S	4/2003	Wu	
D475,270	S	6/2003	Loyd et al.	
D480,950	S	10/2003	Ellis et al.	
D514,420	S	2/2006	Xu	
D520,861	S	5/2006	Jornod	
D523,727	S	6/2006	Haug et al.	
D530,790	S	* 10/2006	Kohler, Jr.	D23/252
D532,487	S	11/2006	Citterio	

D538,403	S	3/2007	Sallick	
7,203,998	B2	4/2007	Howie, Jr.	
D560,110	S	1/2008	Ricereto	
D563,192	S	3/2008	Barry	
D572,998	S	7/2008	Crain	
D576,469	S	9/2008	Haug	
D588,235	S	3/2009	Rexach	
D609,550	S	2/2010	Wan	
7,742,248	B2	6/2010	Nussbaum	
D627,338	S	11/2010	Koss	
7,963,003	B1	6/2011	Keene	
D644,085	S	8/2011	Jungen	
D657,654	S	4/2012	Matsumiya	
D669,557	S	* 10/2012	Citterio	D23/253
D676,551	S	2/2013	Desai	
D677,248	S	3/2013	Yoon	
D679,774	S	4/2013	Burzel	
D712,517	S	9/2014	Citterio	
D713,015	S	* 9/2014	Schoenherr	D23/253
D731,872	S	6/2015	White	
9,266,509	B1	2/2016	Nesbitt	
D757,516	S	5/2016	Nesbitt	
D758,825	S	6/2016	Nesbitt	
D762,439	S	* 8/2016	Bertani	D8/309
9,441,713	B2	9/2016	Nesbitt	
D770,019	S	* 10/2016	Rexach	D23/253
D777,008	S	1/2017	Nesbitt	
D777,553	S	1/2017	Nesbitt	
D784,787	S	* 4/2017	Bertani	D8/307
D796,642	S	* 9/2017	Andrew	D23/253
D798,129	S	* 9/2017	Bertani	D8/309
D810,886	S	* 2/2018	Schoenherr	D23/253
D813,639	S	* 3/2018	Osanai	D8/307
D816,805	S	* 5/2018	Soulier	D23/253
2002/0166408	A1	11/2002	Willemsen	
2003/0056615	A1	3/2003	Oberheide et al.	
2005/0016319	A1	1/2005	Kiczek et al.	
2005/0160869	A1	7/2005	Willemsen et al.	
2006/0048341	A1	3/2006	Koller et al.	
2006/0266190	A1	11/2006	Saitou et al.	
2011/0063820	A1	3/2011	Wang	
2012/0154907	A1	6/2012	Schmitt et al.	
2012/0266410	A1	10/2012	Huang	
2013/0236235	A1	9/2013	Johnson, Sr. et al.	
2014/0013897	A1	1/2014	Clauss	
2015/0331441	A1	11/2015	Ho	
2016/0348767	A1	12/2016	Nesbitt	

OTHER PUBLICATIONS

Ebay, Remote Brake Bias Cable and Adjuster System RS Group 4, Escort Rally Locost F2, Printed from <http://www.ebay.com/itm/161095790872> on Oct. 5, 2013 (3 Pages).
 Ebay Picture, New Nascar Tilton Brake Pedal Balance Bar, Printed from <http://www.ebay.com/itm/NEW-NASCAR-TILTON-BRAKE-PEDAL-BALANCE-BAR> . . . on Nov. 17, 2013 (1 Page).
 Ebay Picture, Tilton Brake Remote Bias Adjuster, Printed from <http://i.ebayimg.com/t/tilton-brake-remote-bias-adjuster-imca-nascar-ump--sprint-car-/00/> . . . on Nov. 17, 2013 (1 Page).

* cited by examiner

FIG. 1

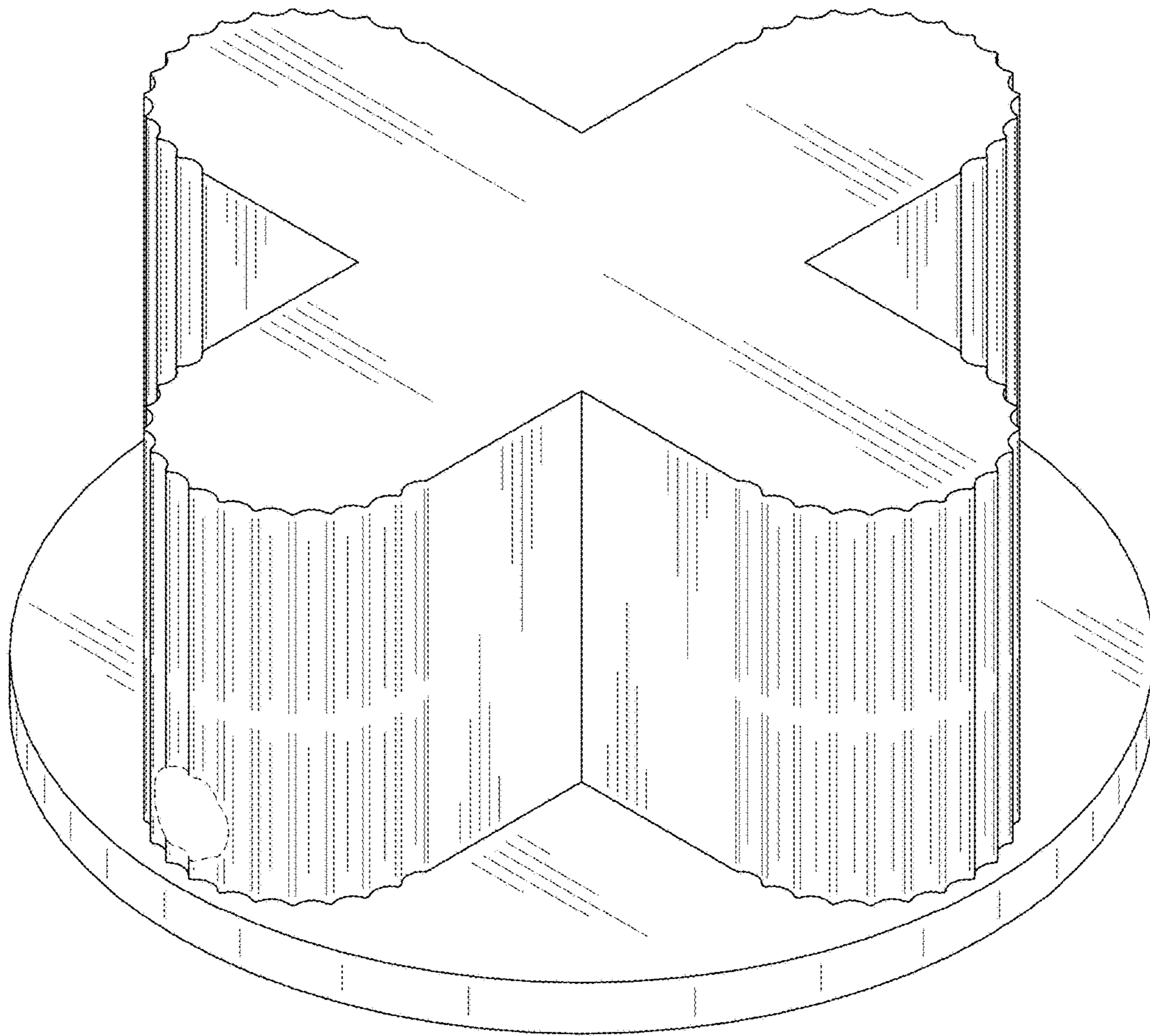


FIG. 2

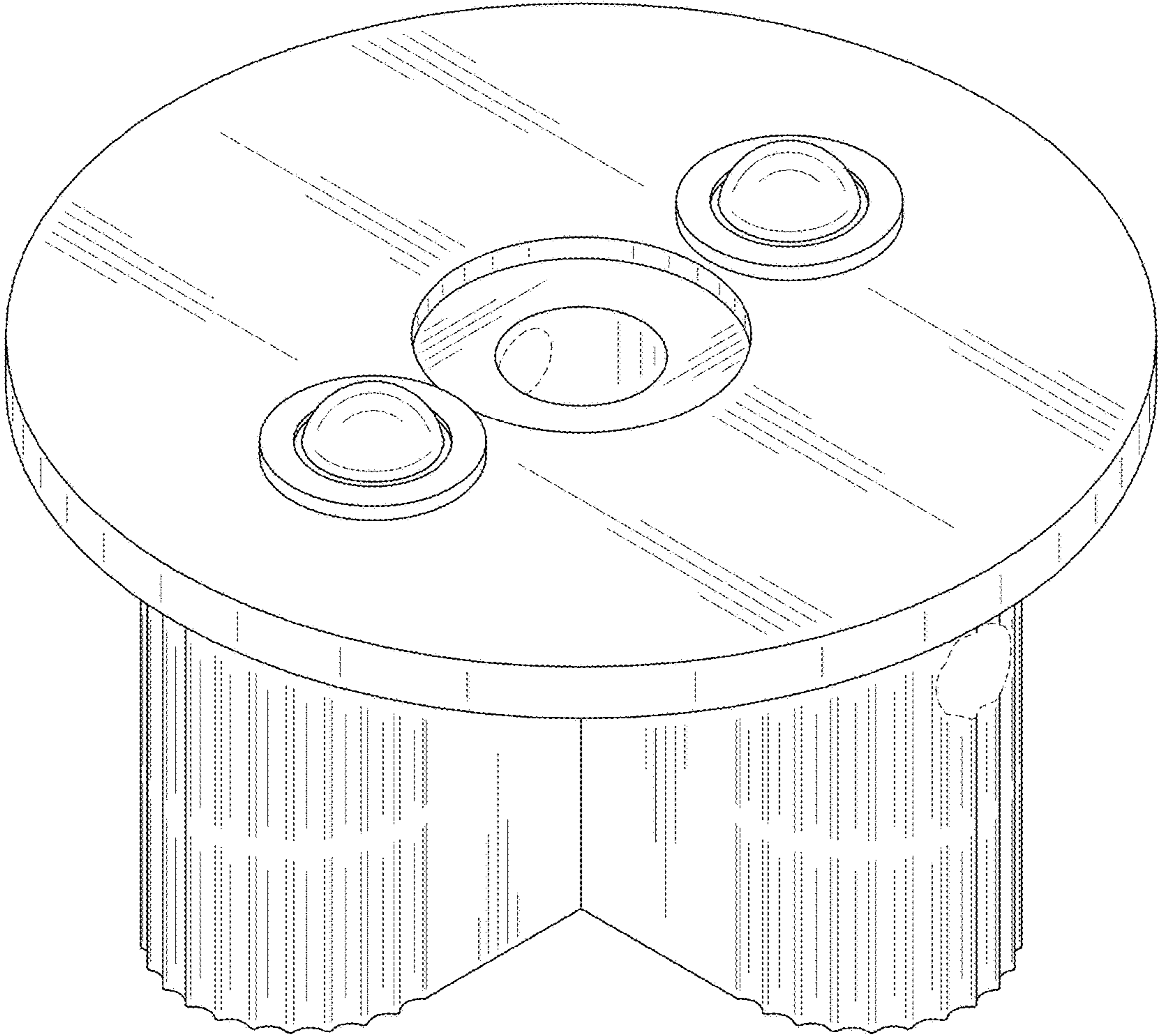


FIG. 3

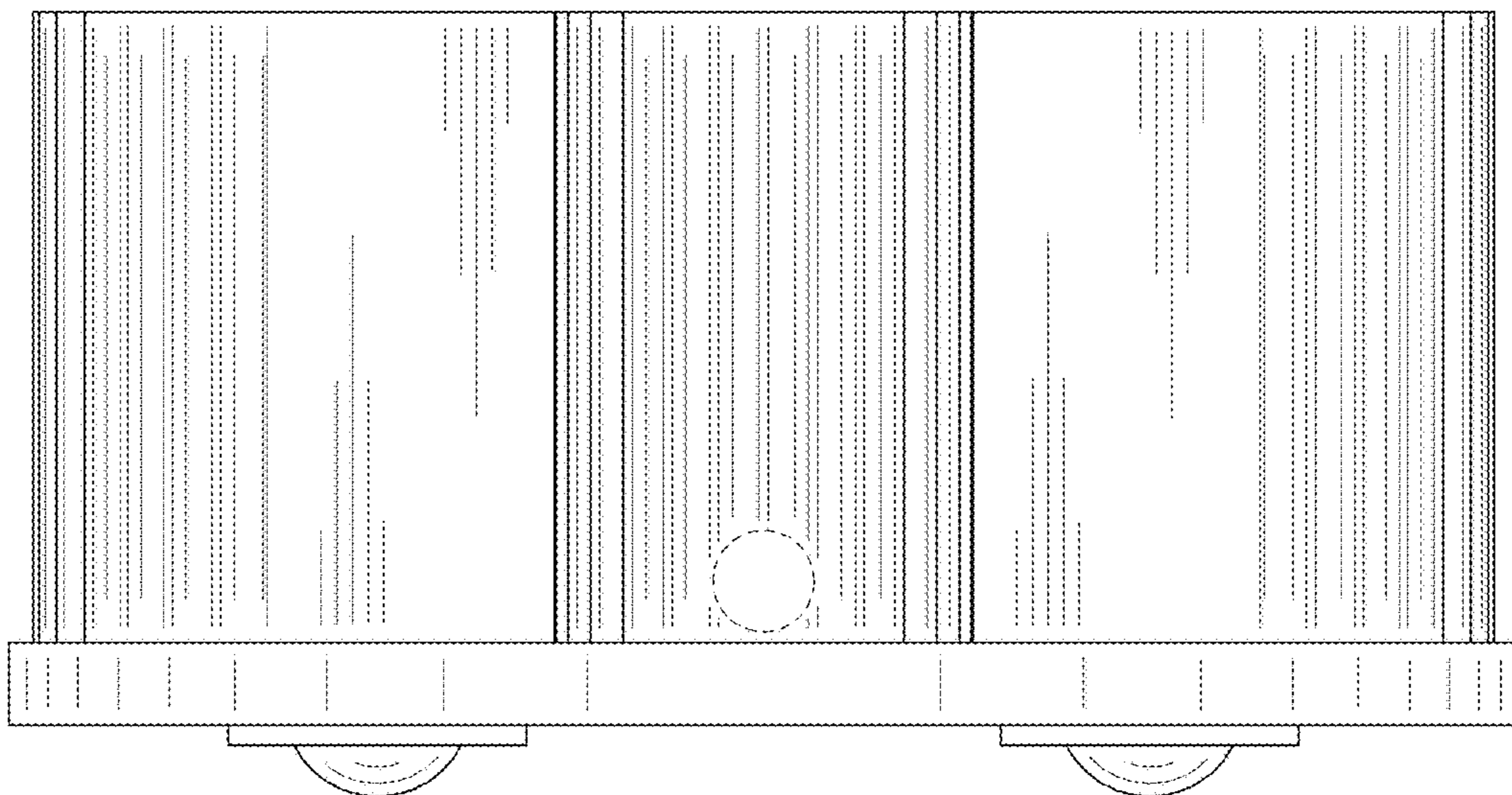


FIG. 4

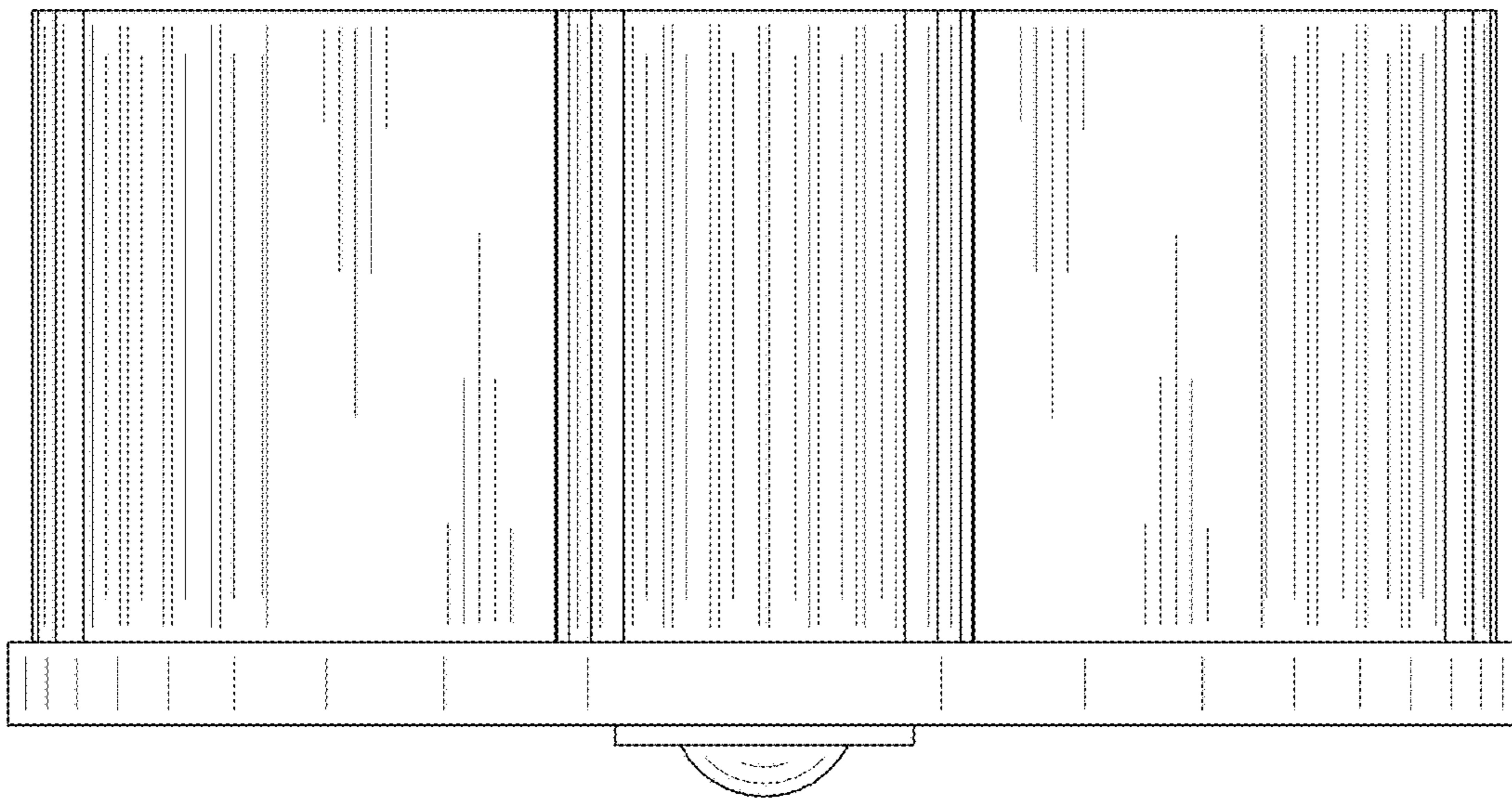


FIG. 5

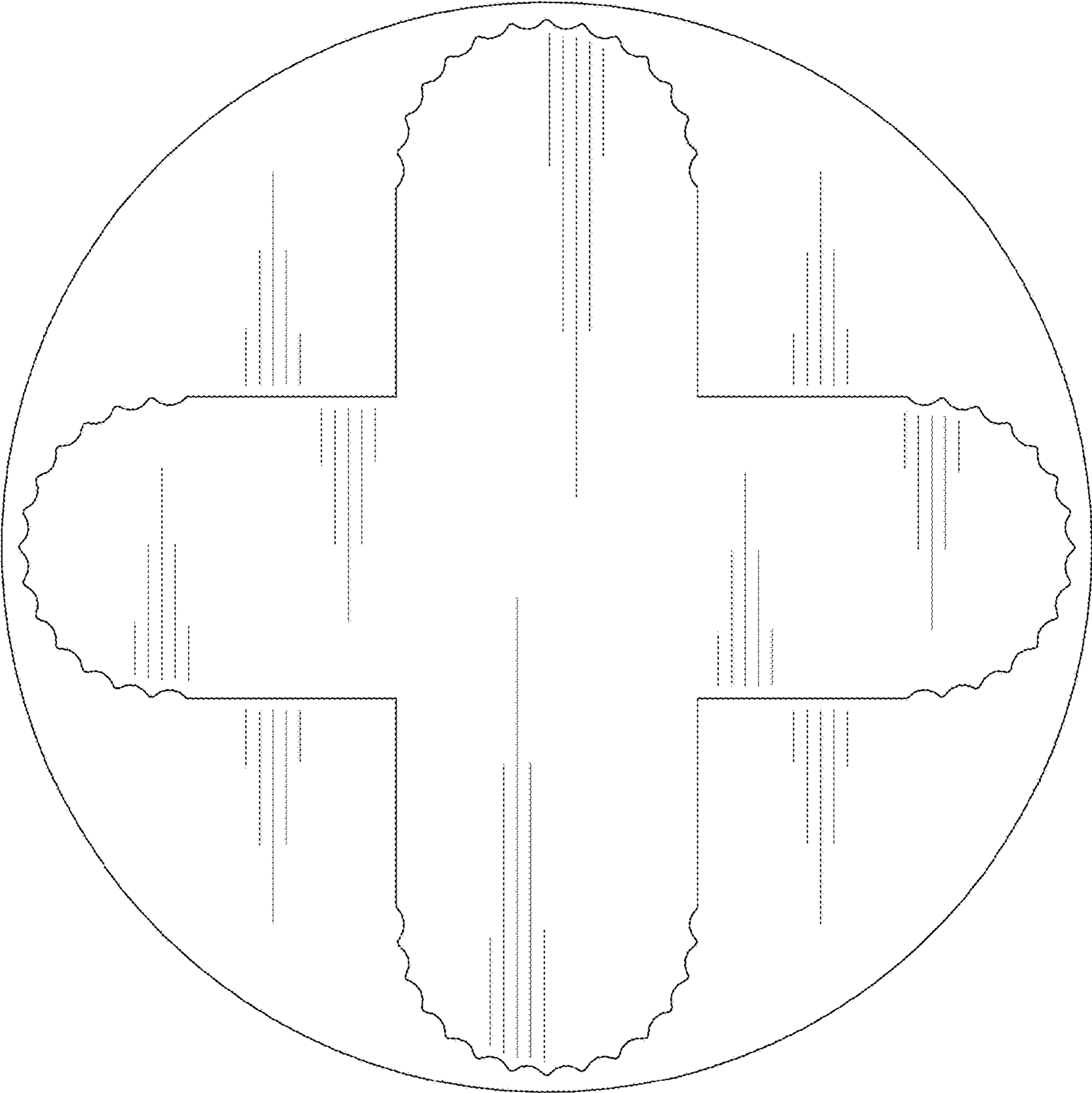


FIG. 6

