



US00D834912S

(12) **United States Design Patent** (10) **Patent No.:** **US D834,912 S**
Petersen et al. (45) **Date of Patent:** **** Dec. 4, 2018**

(54) **SANDING TOOL**
(71) Applicant: **3M INNOVATIVE PROPERTIES COMPANY**, St. Paul, MN (US)
(72) Inventors: **John G. Petersen**, Center City, MN (US); **Dennis G. Johnson**, Topsfield, MA (US); **Dwight B. Schoenherr**, Stillwater, MN (US)
(73) Assignee: **3M INNOVATIVE PROPERTIES COMPANY**, St. Paul, MN (US)
(**) Term: **15 Years**
(21) Appl. No.: **29/580,852**
(22) Filed: **Oct. 13, 2016**
(51) **LOC (11) Cl.** **08-05**
(52) **U.S. Cl.**
USPC **D8/90**
(58) **Field of Classification Search**
USPC D8/90, 14
CPC B24D 18/0009; B24D 15/04; B24D 15/02;
B24D 15/00
See application file for complete search history.

D478,351 S * 8/2003 Belton D19/187
D509,723 S * 9/2005 Smith D8/90
D564,325 S * 3/2008 Henke D8/90
D612,222 S * 3/2010 Ali D8/90
D661,566 S * 6/2012 Comstock D8/90
8,388,419 B2 * 3/2013 Koenig, Jr. B24D 15/02
451/461
8,616,939 B2 * 12/2013 Toyama B24D 15/023
451/344
D707,525 S * 6/2014 Ali D8/90
8,870,629 B2 * 10/2014 Comstock B24D 15/023
451/524
9,272,393 B2 * 3/2016 Ali B24D 15/023
9,352,449 B1 * 5/2016 Winter B24D 15/023
2009/0163123 A1 * 6/2009 Turnbull B24D 15/023
451/59

(56) **References Cited**
U.S. PATENT DOCUMENTS
D152,607 S * 2/1949 Gerlinger D8/90
3,089,294 A * 5/1963 Cowley B24D 13/14
451/490
D329,583 S * 9/1992 Medina D8/90
5,168,672 A * 12/1992 Gregoire, Sr. B24D 15/023
451/502
5,662,519 A * 9/1997 Arnold B24D 15/04
451/495
6,261,031 B1 * 7/2001 Stipe B23D 71/04
407/29.1
6,296,558 B1 * 10/2001 Poole B24D 15/023
451/515

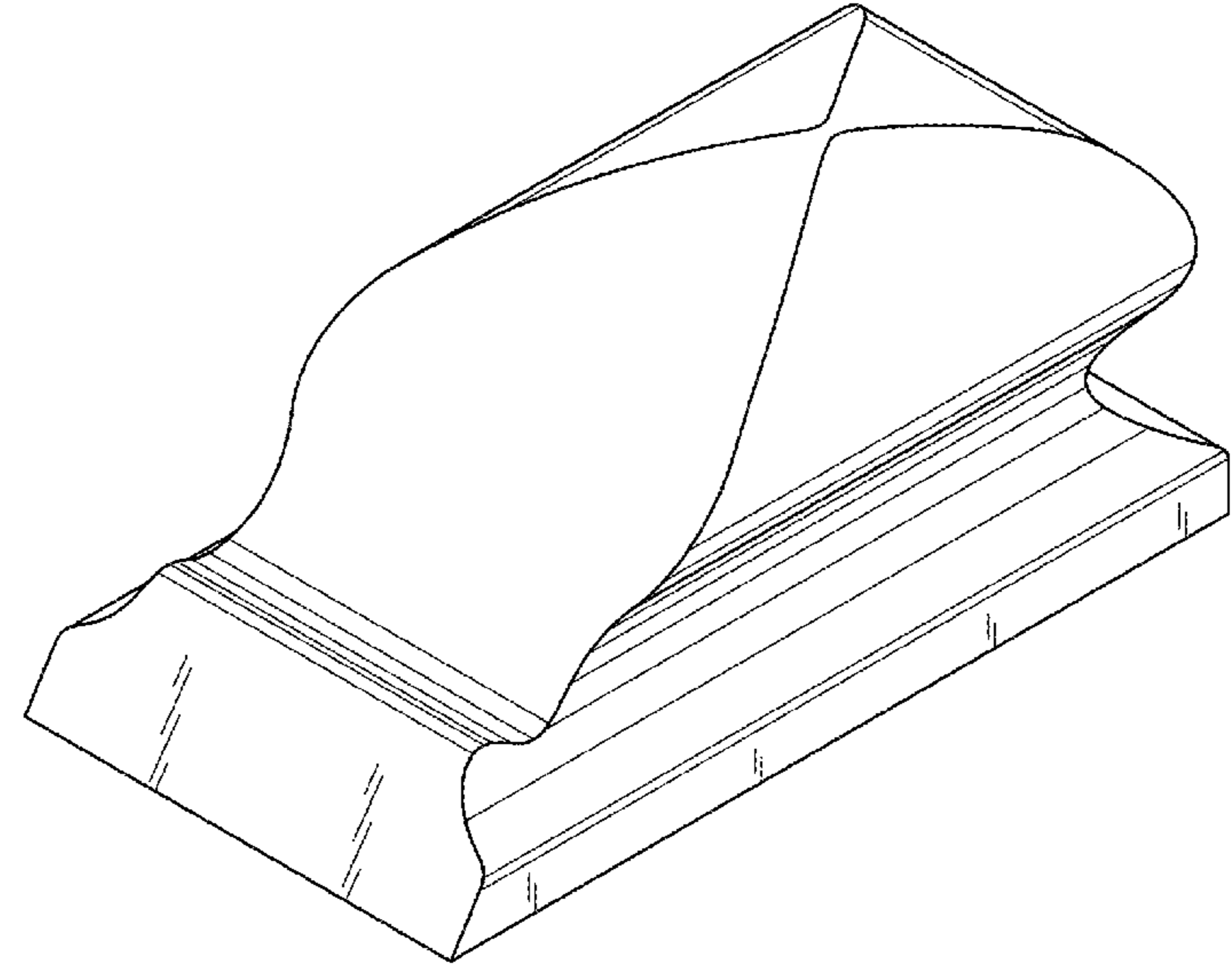
OTHER PUBLICATIONS
2.5"x5.5" Hook and Loop Hand Sanding Block, Item # 4654, Available on <<http://www.astrotools.com>>, Last accessed on Oct. 5, 2016, 1 page.

(Continued)
Primary Examiner — Philip S Hyder
(74) *Attorney, Agent, or Firm* — Irina Hass

(57) **CLAIM**
The ornamental design for a sanding tool, as shown and described.

DESCRIPTION
FIG. 1 is a perspective view showing a new design for a sanding tool;
FIG. 2 is a top view thereof;
FIG. 3 is a right side view thereof, a left side view being a mirror image thereof;
FIG. 4 is a front view thereof;
FIG. 5 is a rear view thereof; and,
FIG. 6 is a bottom view thereof.

1 Claim, 2 Drawing Sheets



(56)

References Cited

OTHER PUBLICATIONS

2.75"×5" Hook and Loop Hand Sanding Block, Item # 4651, Available on <<http://www.astrotools.com>>, Last accessed on Oct. 5, 2016, 1 page.

2.75"×8" Hook and Loop Hand Sanding Block, Item # 4653, Available on <<http://www.astrotools.com>>, Last accessed on Oct. 5, 2016, 1 page.

3M 00051144054404 Hand Sanding Block, Available on <<http://m.alibaba.com>>, Last accessed on Oct. 5, 2016, 1 page.

6" Hook and Loop Hand Sanding Block for Round Discs, Item # 4655, Available on <<http://www.astrotools.com>>, Last accessed on Oct. 5, 2016, 1 page.

50 mm (W)×152 mm (L) Foam Sanding Block With Velcro, Available on <<http://www.kaydex-tools.com>>, Last accessed on Oct. 5, 2016, 2 pages.

Festool Hand Sanding Block Set in Mini Systerainer, Item # M0595 Festool, Available on <<http://www.woodcraft.com>>, Last accessed on Oct. 5, 2016, 1 page.

Flexible Foam Sanding Block, Model Number: TTN19952, Available on <<http://www.gurneetools.com>>, Last accessed on Oct. 5, 2016, 1 page.

Hand Sander Tools Molded in High Quality Polyurethane Foam, Available on <<http://www.vermontabrasives.com>>, Last accessed on Oct. 5, 2016, 1 page.

Microzip Multi-Surface Sanding Tool Kit 1+30PK, Item 7800, Available on <<http://www.gatorfinishing.com>>, Last accessed on Oct. 5, 2016, 2 pages.

Norton MultiSand Detail Sander Kit, Item # 161432 Norton, Available on <<http://www.woodcraft.com>>, Last accessed on Oct. 5, 2016, 1 page.

Norton MultiSand Finishing Block Sander Kit, Item # 161433 Norton, Available on <<http://www.woodcraft.com>>, Last accessed on Oct. 5, 2016, 1 page.

Shopsmith 5-in×5-in 5 Hook and Loop Hand Sanding Tool Hand Sande, Available on <<http://guide.alibaba.com>>, Last accessed on Oct. 5, 2016, 1 page.

Zip Sander Multi-Surface Sanding Tool Kit 1+6PK, Item 7186, Available on <<http://www.gatorfinishing.com>>, Last accessed on Oct. 5, 2016, 2 pages.

Shop Smith, Premium Woodworking Abrasives Unsurpassed Performance, Shop Smith Catalogue, Ali Industries, Inc., 24 pages.

* cited by examiner

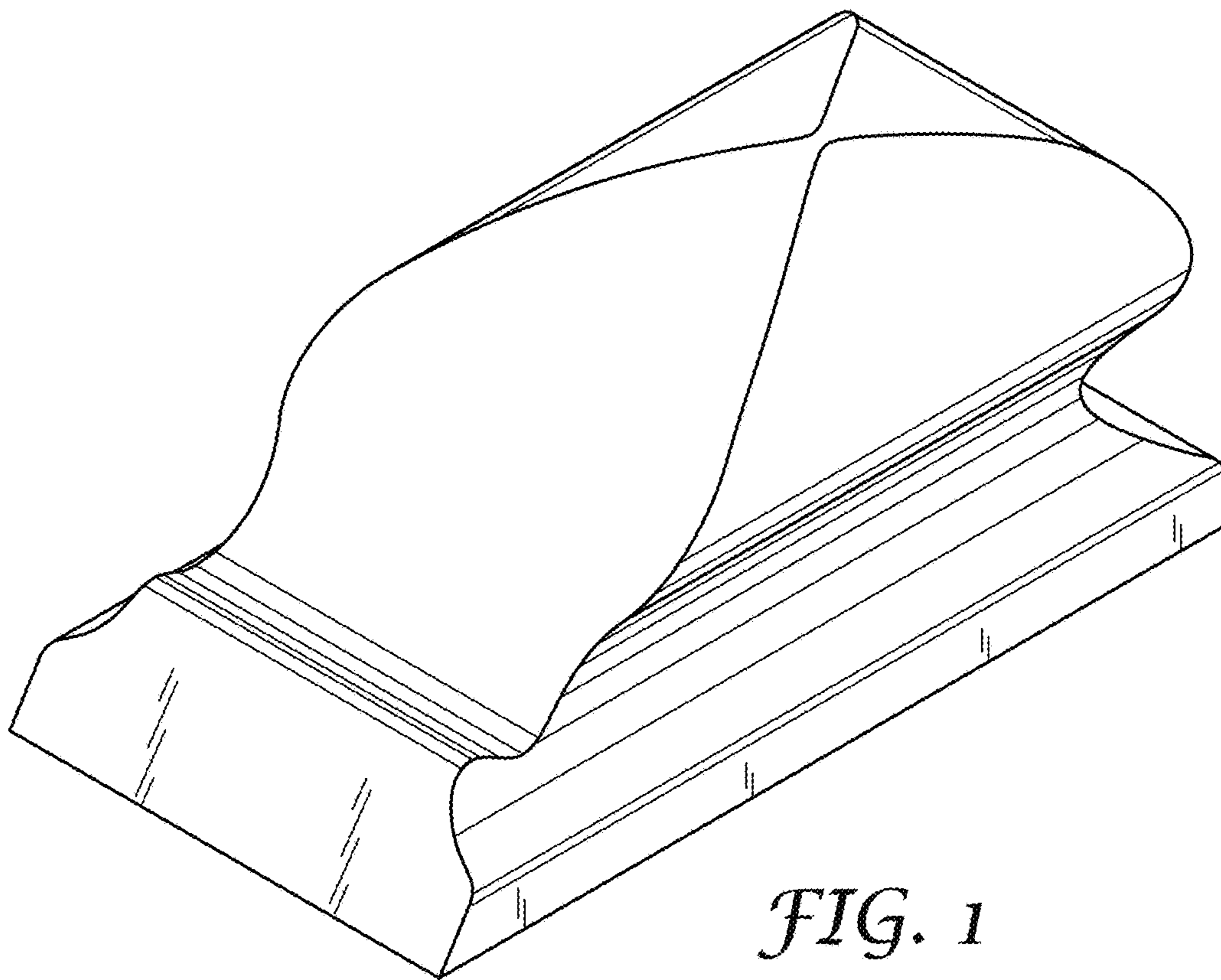


FIG. 1

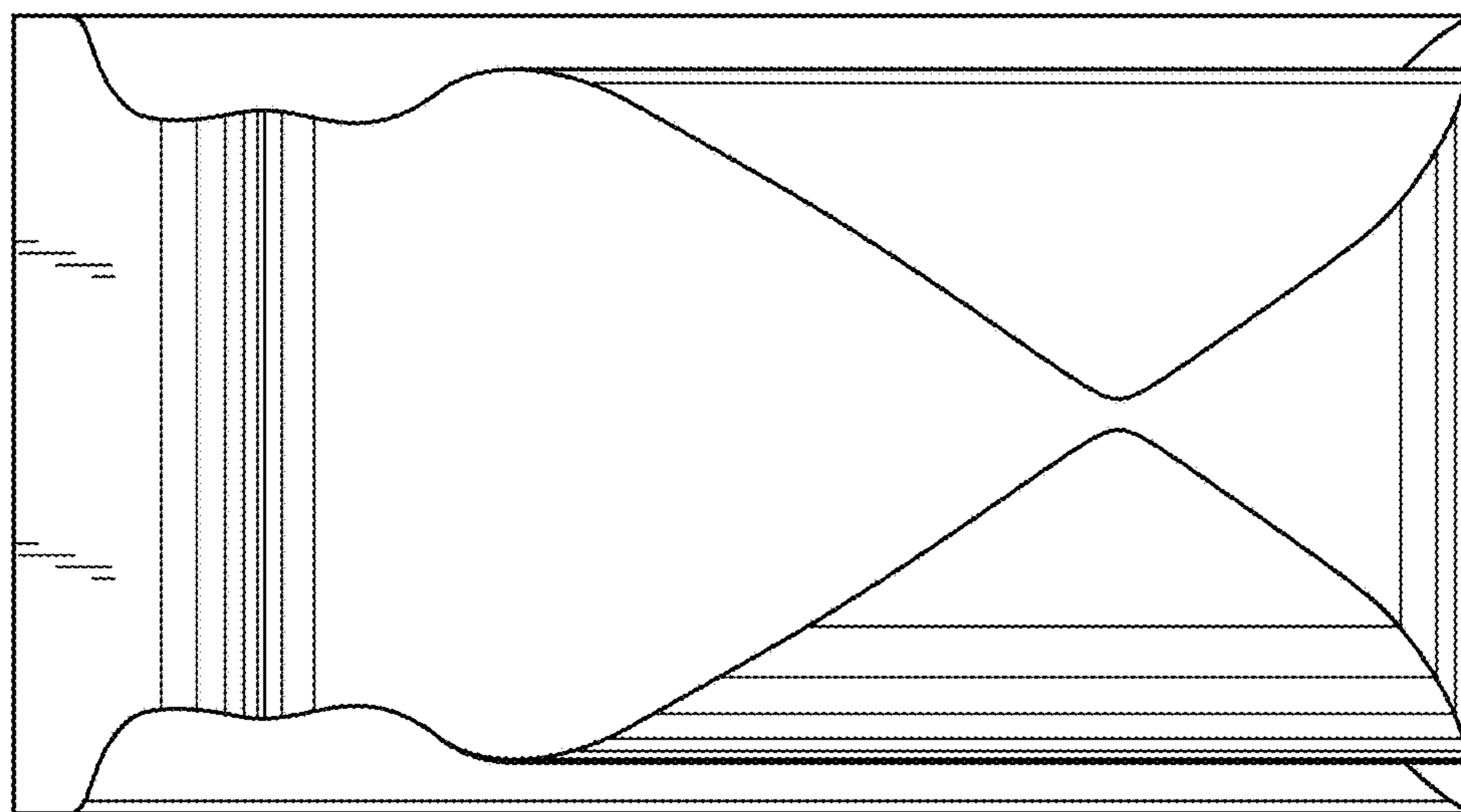


FIG. 2

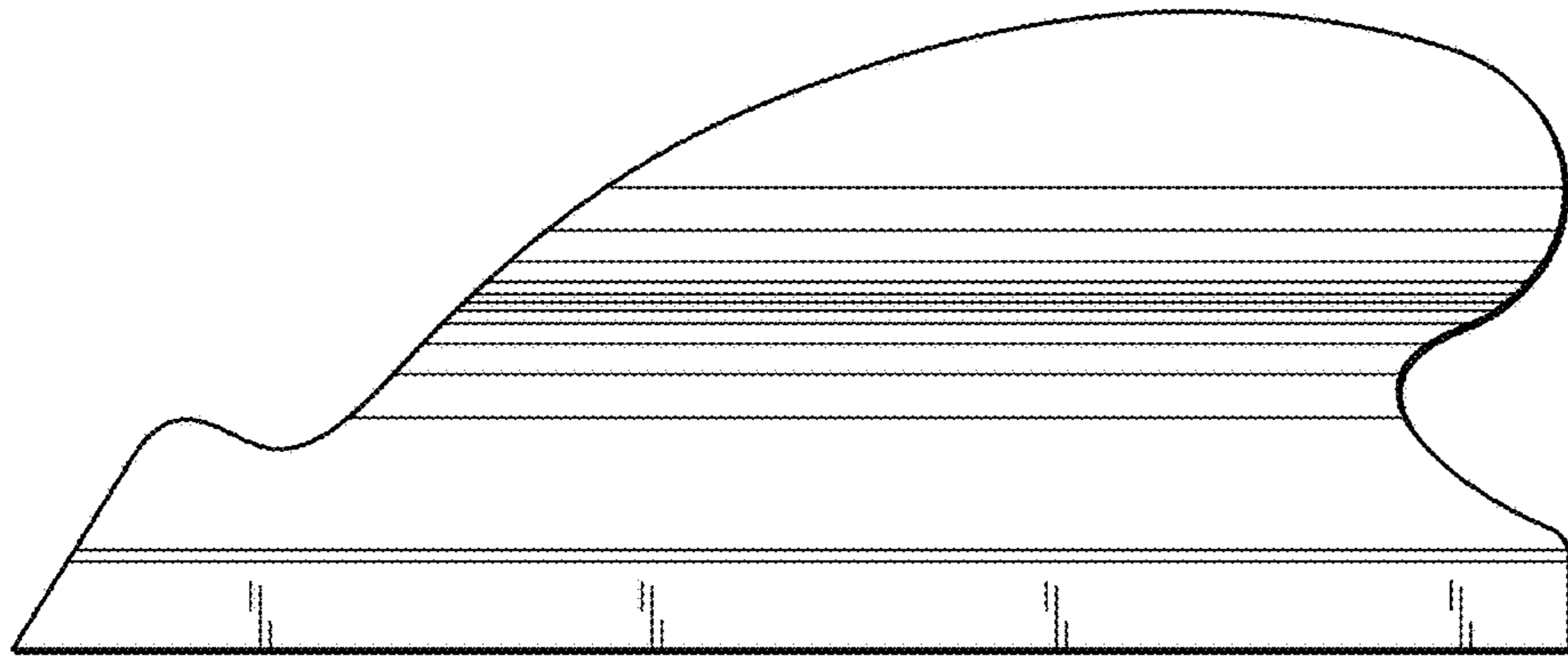


FIG. 3

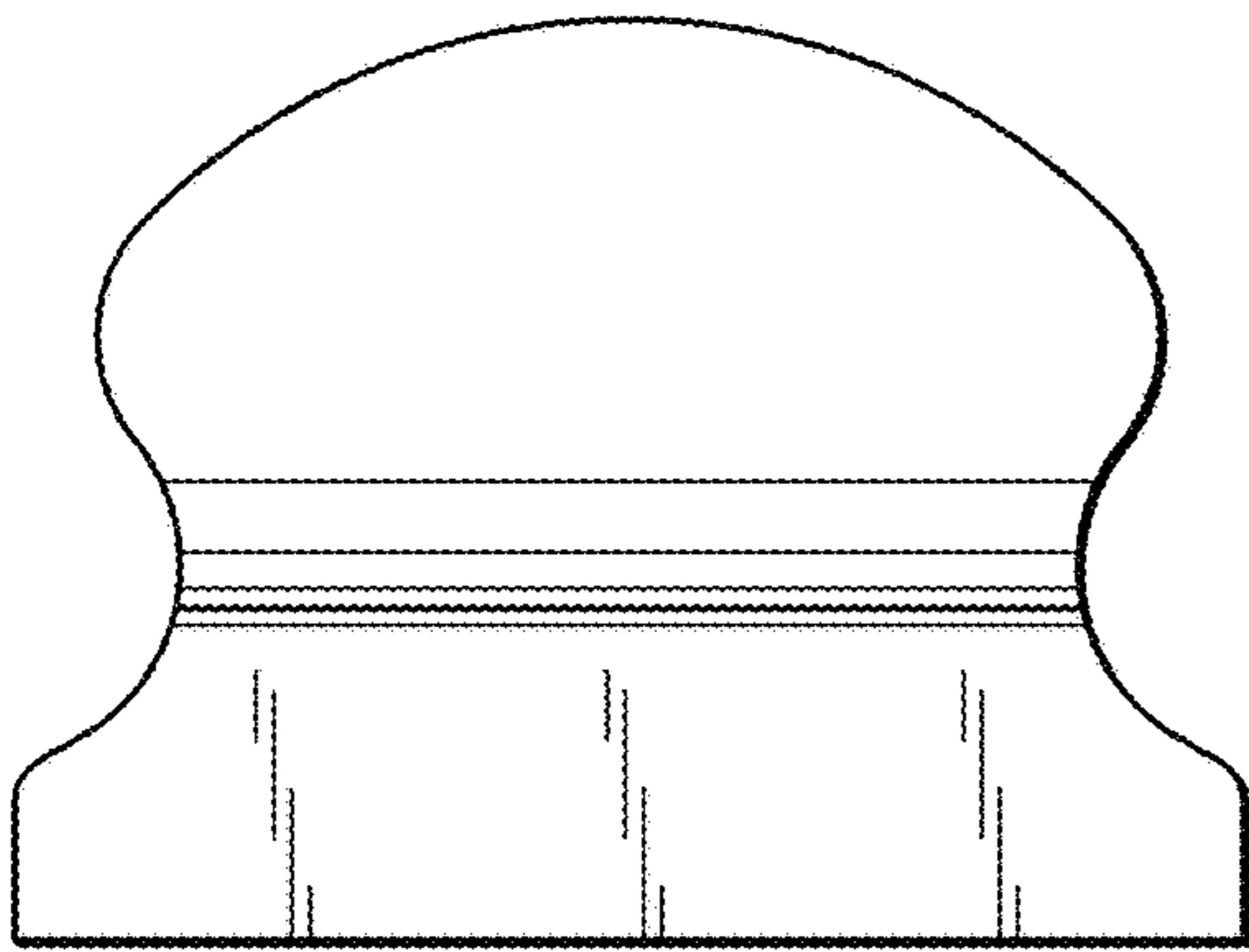


FIG. 4

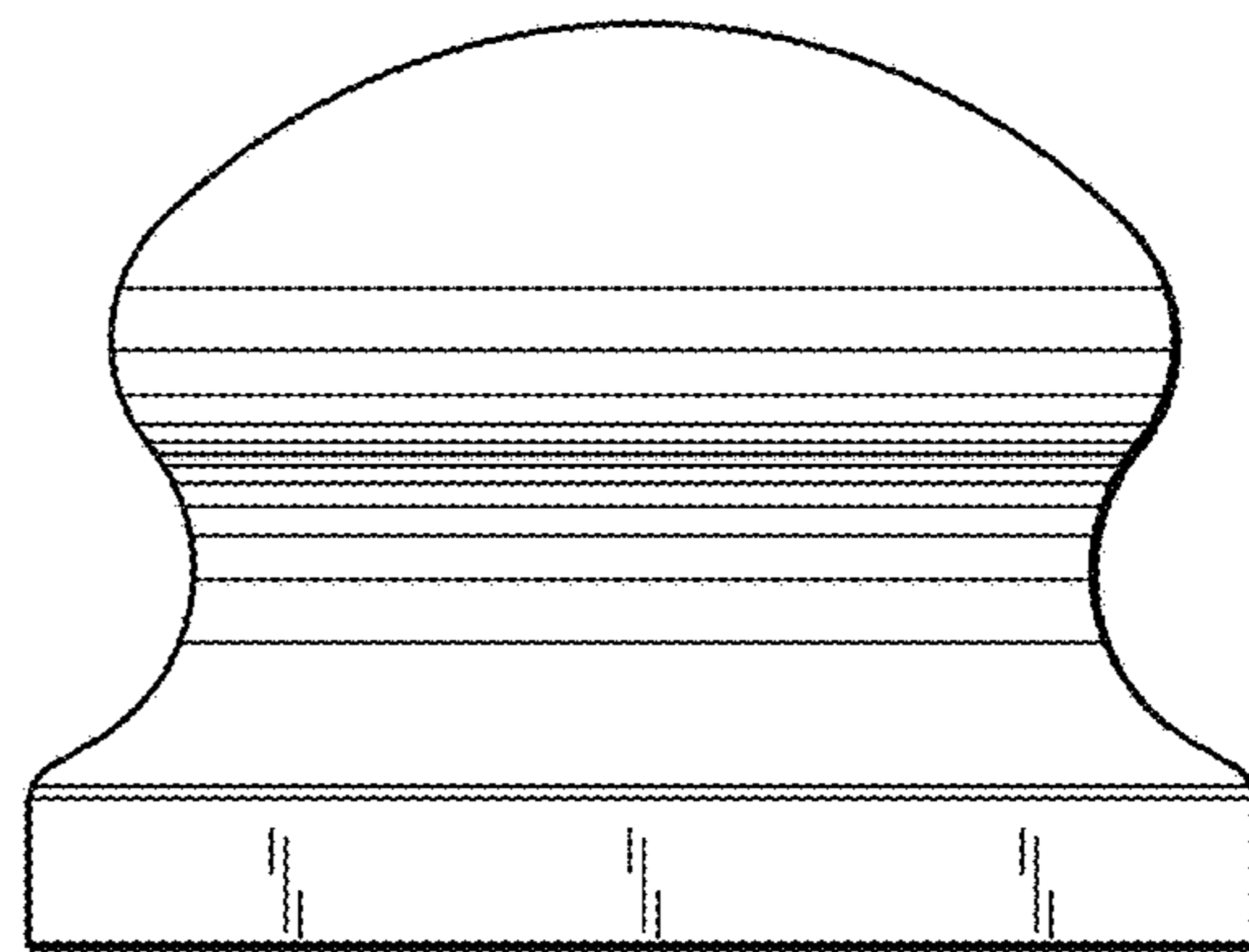


FIG. 5

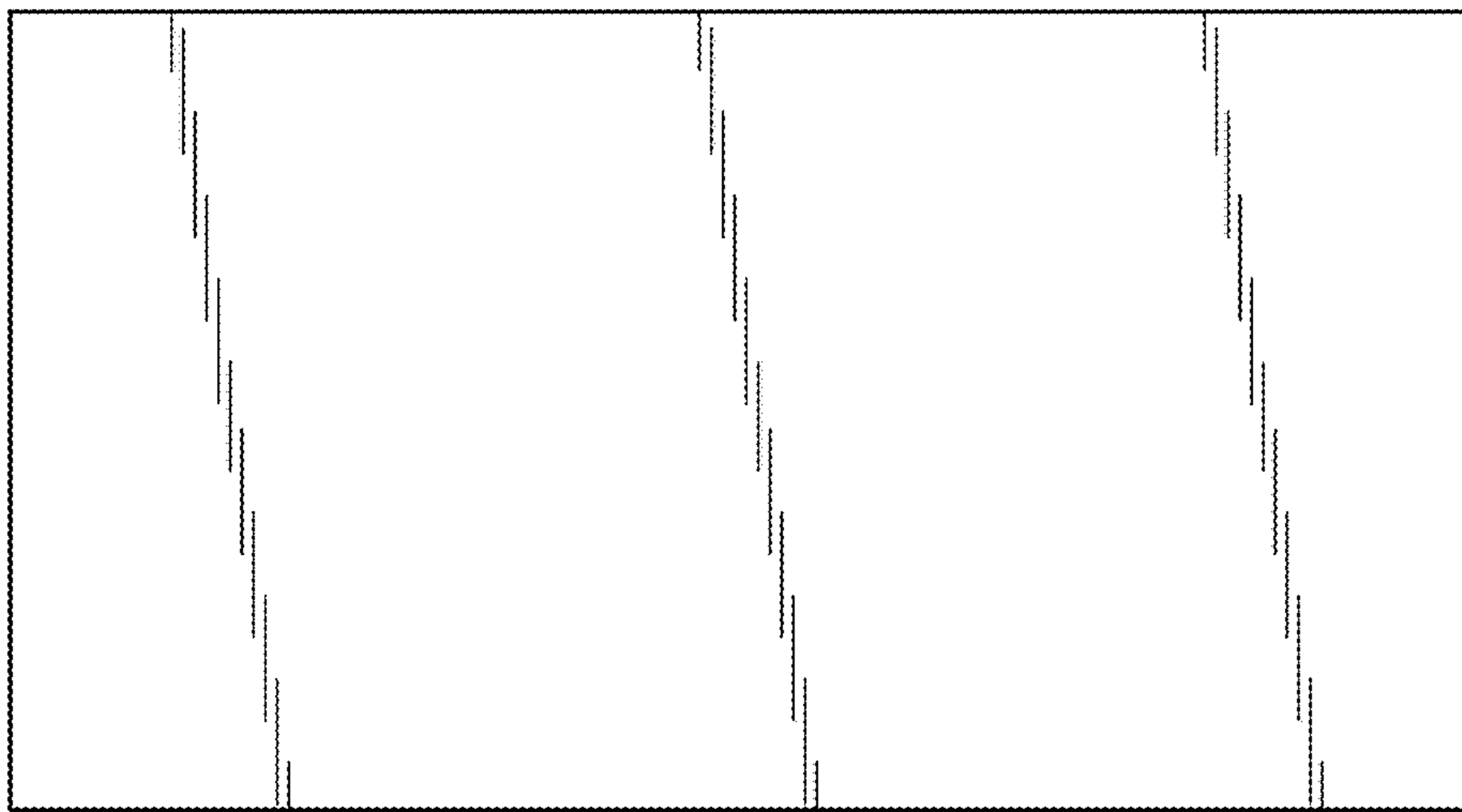


FIG. 6