



US00D834911S

(12) **United States Design Patent** (10) **Patent No.:** **US D834,911 S**  
**Kasan** (45) **Date of Patent:** **\*\* Dec. 4, 2018**

- (54) **PRY BAR**
- (71) Applicant: **Eli Kasan**, Pittsburgh, PA (US)
- (72) Inventor: **Eli Kasan**, Pittsburgh, PA (US)
- (\*\*) Term: **15 Years**
- (21) Appl. No.: **29/593,035**
- (22) Filed: **Feb. 6, 2017**

D648,982	S	*	11/2011	Jokuszies	.....	D23/252
8,342,482	B2		1/2013	Smith		
D687,736	S	*	8/2013	Wycoff	.....	D11/3
D711,762	S	*	8/2014	Murphy	.....	D11/4
D758,907	S	*	6/2016	Kaiser	.....	D11/2
D784,177	S	*	4/2017	Kaiser	.....	D11/2
9,770,088	B1	*	9/2017	Rivers	.....	A45F 5/00
2012/0234043	A1	*	9/2012	Guerrero, II	.....	A44C 5/0007
						63/13
2013/0206801	A1	*	8/2013	Delgatty	.....	A45F 5/00
						224/219
2014/0027688	A1		1/2014	Vesely		

\* cited by examiner

**Related U.S. Application Data**

- (63) Continuation of application No. 14/804,498, filed on Jul. 21, 2015.
- (51) **LOC (11) Cl.** ..... **08-05**
- (52) **U.S. Cl.**  
USPC ..... **D8/88**
- (58) **Field of Classification Search**  
USPC ..... D8/14, 88, 89  
CPC ..... E04G 23/08; B66F 15/00; B25C 11/00  
See application file for complete search history.

*Primary Examiner* — Philip S Hyder

(74) *Attorney, Agent, or Firm* — David G. Oberdick

(57) **CLAIM**

The ornamental design for the pry bar, as shown and described.

**DESCRIPTION**

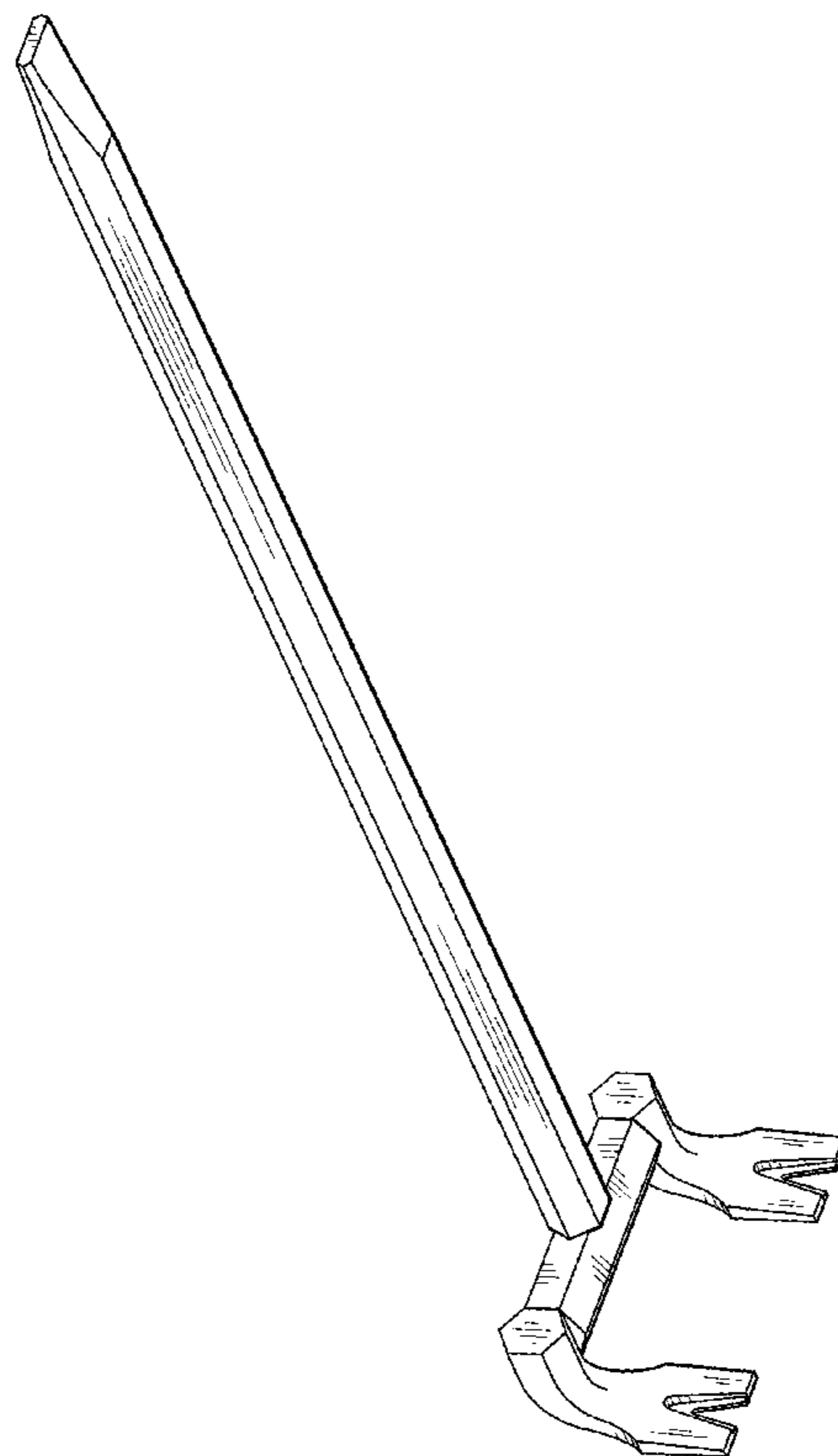
FIG. 1 is a perspective front right view of a pry bar showing our new design;  
 FIG. 2 is a front view of the pry bar shown in FIG. 1;  
 FIG. 3 is a rear view of the pry bar shown in FIG. 1;  
 FIG. 4 is a left side view of the pry bar shown in FIG. 1;  
 FIG. 5 is a right side view of the pry bar shown in FIG. 1;  
 FIG. 6 is a top view of the pry bar shown in FIG. 1; and,  
 FIG. 7 is a bottom view of the pry bar shown in FIG. 1.

**1 Claim, 4 Drawing Sheets**

(56) **References Cited**

U.S. PATENT DOCUMENTS

3,134,574	A	5/1964	Reuterfors	
D243,315	S	*	2/1977	Smith ..... D8/77
5,447,289	A	9/1995	Callahan	
D388,010	S	*	12/1997	Scheufele ..... D11/26
7,338,032	B2	3/2008	Sykes, Jr.	
D618,978	S	7/2010	Nolle	
7,753,342	B1	7/2010	Nolle	



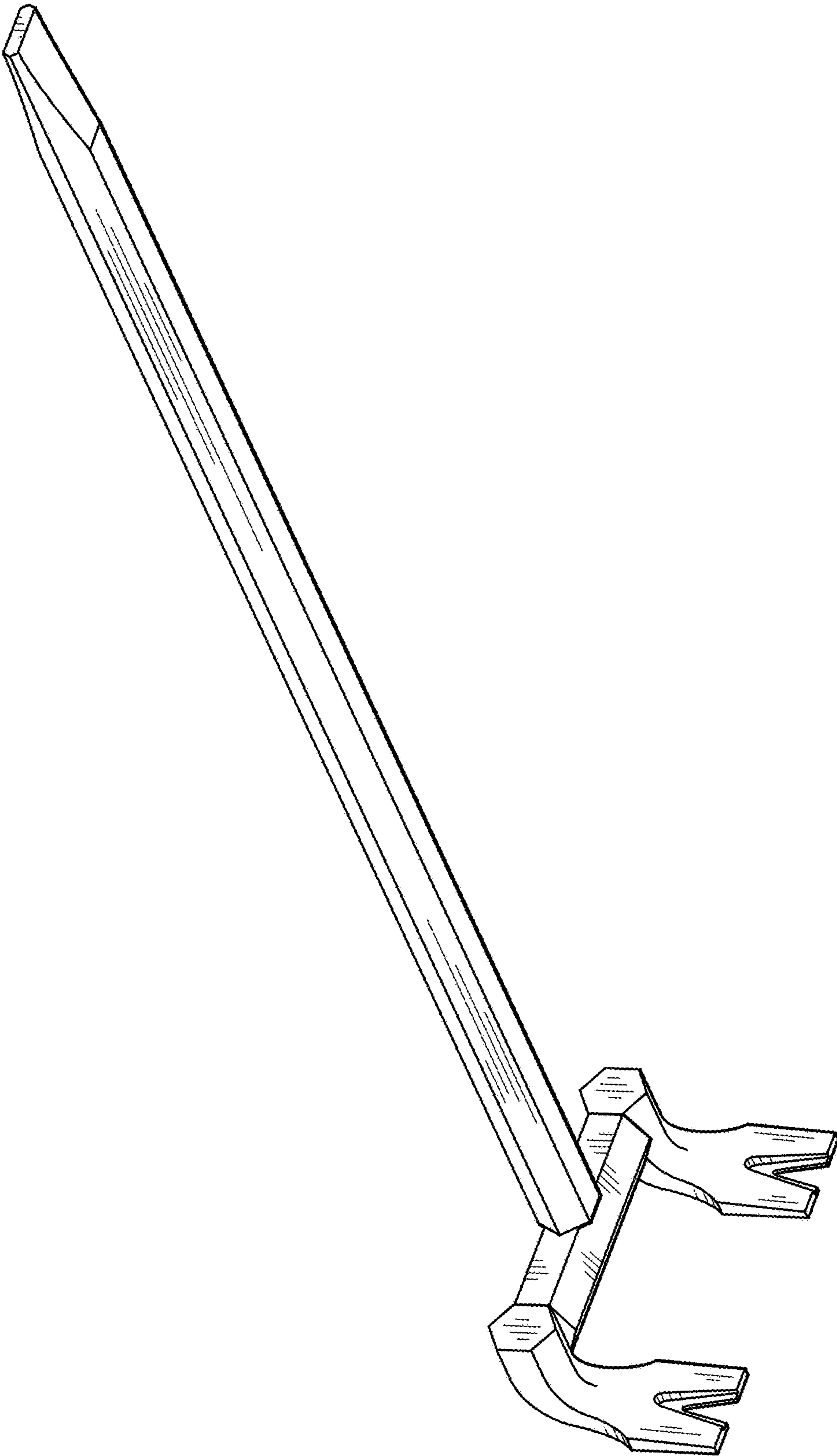


FIG. 1

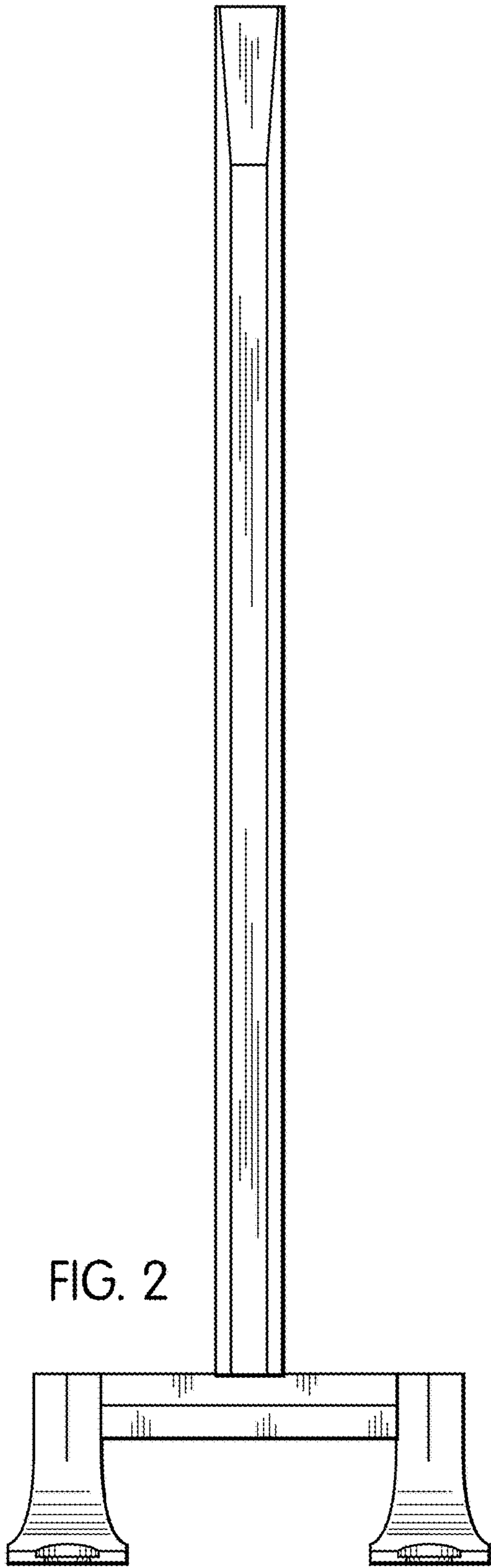


FIG. 2

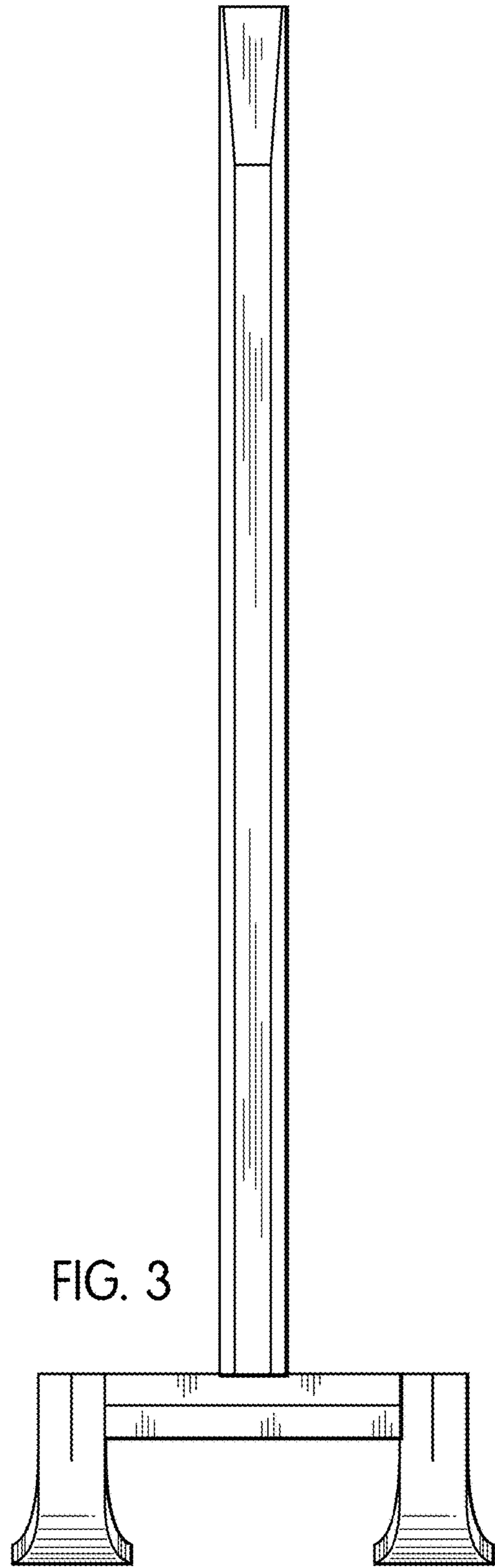


FIG. 3

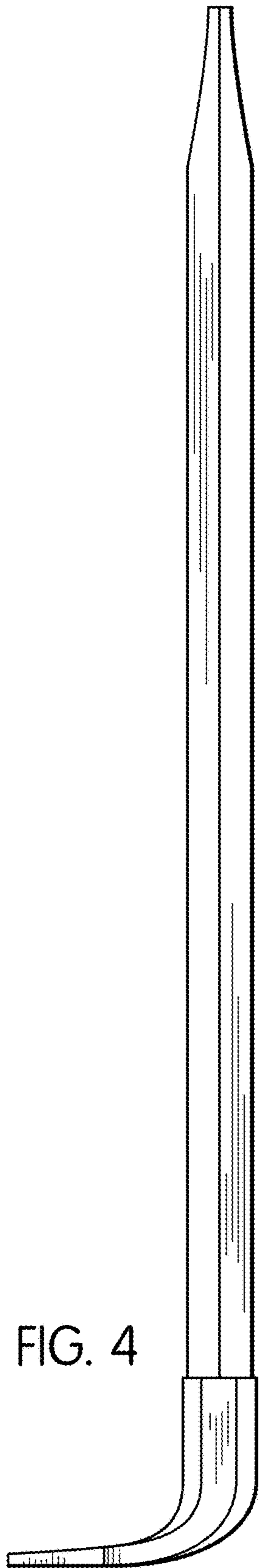


FIG. 4

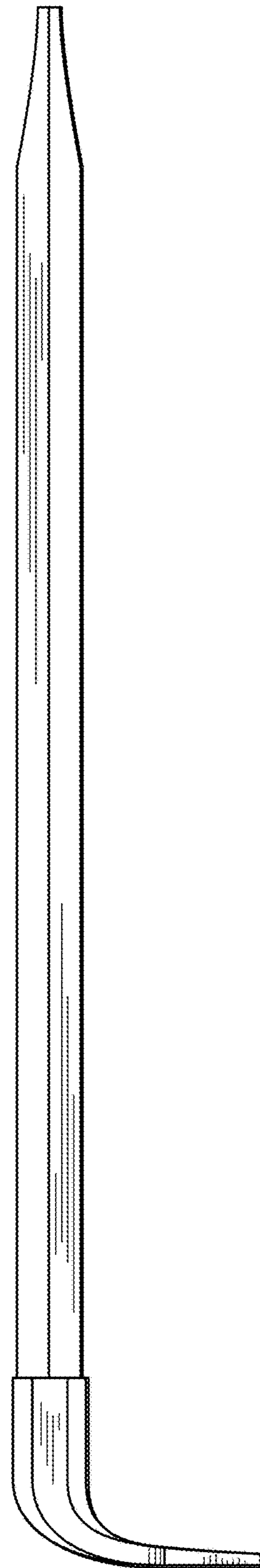


FIG. 5

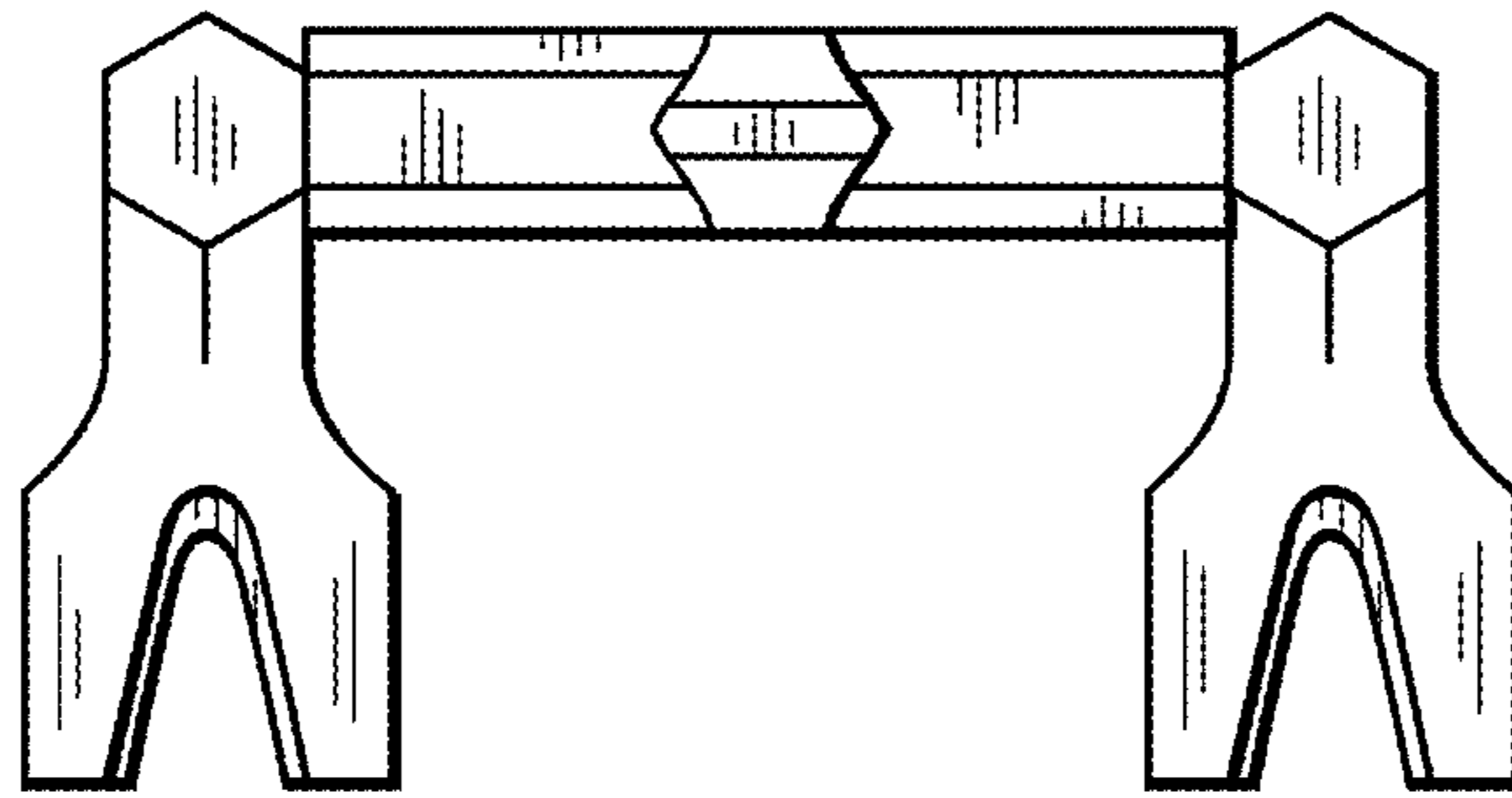


FIG. 6

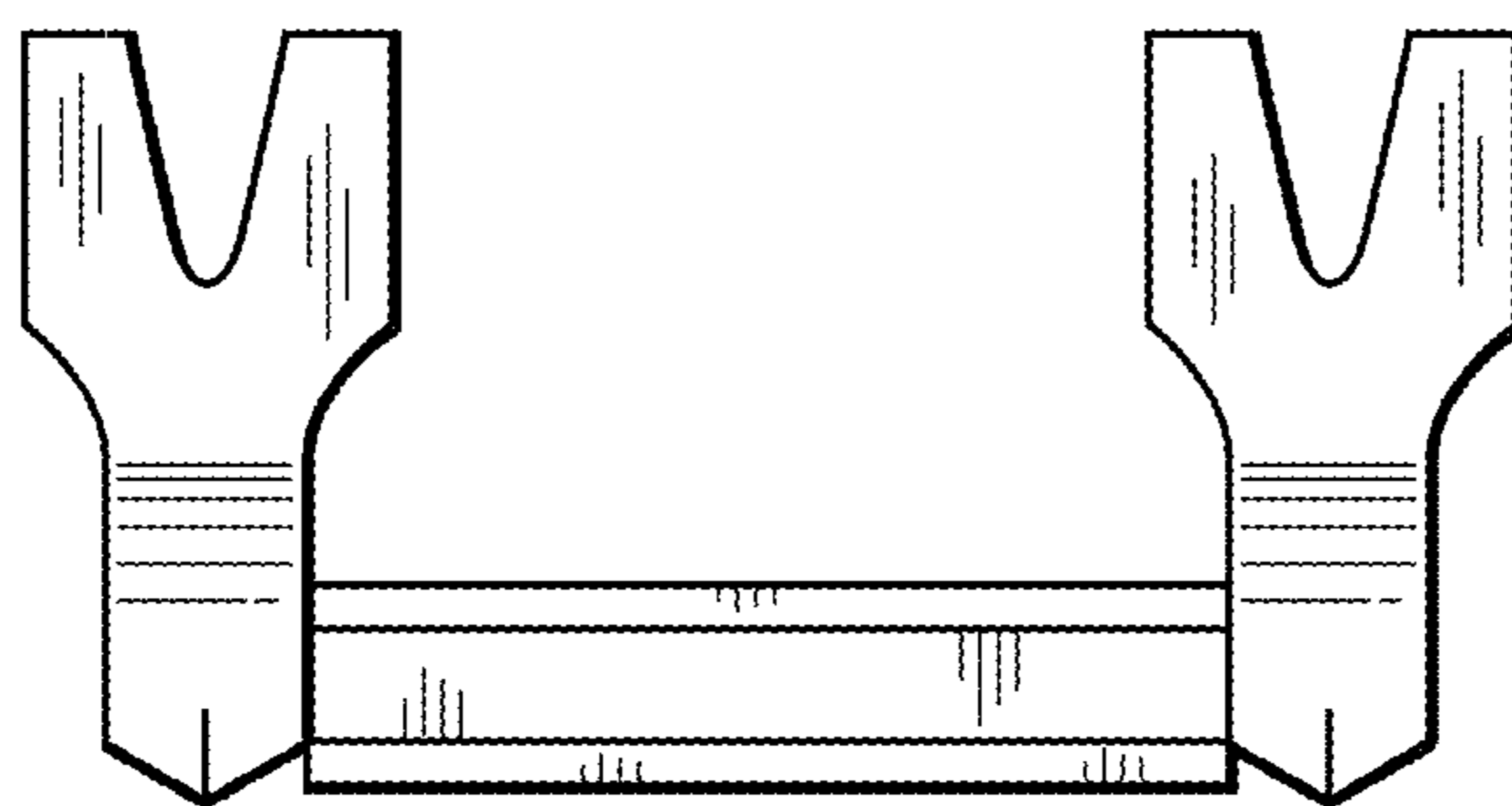


FIG. 7