



US00D834908S

(12) **United States Design Patent** (10) **Patent No.:** **US D834,908 S**
Könnecke et al. (45) **Date of Patent:** **** Dec. 4, 2018**

(54) **HAND-HELD POWER TOOL AND A DISPLAY ON A HAND-HELD POWER TOOL**

(56) **References Cited**

U.S. PATENT DOCUMENTS

(71) Applicant: **GUSTAV KLAUKE GMBH**,
Remscheid (DE)
(72) Inventors: **Christoph Könnecke**, Frankfurt (DE);
Andreas Lehr, Neuss (DE); **Egbert Frenken**, Heinsberg (DE); **Roman Bobowicz**, Remscheid (DE); **Torsten Darkow**, Wuppertal (DE); **Alexander Jochem**, Remscheid (DE); **Frank Wilsdorf**, Wermelskirchen (DE); **Jörg Gimmler**, Wipperfürth (DE)

D657,220	S	*	4/2012	Isobe	D8/61
D657,221	S	*	4/2012	Isobe	D8/61
D673,829	S	*	1/2013	Takeshima	D8/61
D696,090	S	*	12/2013	Takeshima	D8/61
D709,748	S	*	7/2014	Frenken	D8/61
D710,173	S	*	8/2014	Frenken	D8/61
D734,112	S	*	7/2015	Herault	D8/61
D767,959	S	*	10/2016	Sokat	D8/61
D767,960	S	*	10/2016	Haneishi	D8/61
D774,858	S	*	12/2016	Stucki	D8/61
D779,902	S	*	2/2017	Sokat	D8/61

* cited by examiner

(73) Assignee: **GUSTAV KLAUKE GMBH**,
Remscheid (DE)

Primary Examiner — Austin Murphy

(**) Term: **15 Years**

(74) *Attorney, Agent, or Firm* — Klintworth & Rozenblat
IP LLP

(21) Appl. No.: **29/608,383**

(57) **CLAIM**

(22) Filed: **Jun. 21, 2017**

The ornamental design for a hand-held power tool and a display on a hand-held power tool, as shown and described.

(30) **Foreign Application Priority Data**

Dec. 22, 2016 (EM) 001455497

(51) **LOC (11) Cl.** **08-05**

(52) **U.S. Cl.**
USPC **D8/61**

(58) **Field of Classification Search**
USPC D8/70, 82, 85–87, 105; D15/139;
81/436, 460–461
CPC B25B 13/06; B25B 13/5091; B25B 15/00;
B25B 15/001; B25B 15/002; B25B
15/004; B25B 15/005; B25B 15/008;
B25B 15/02; B25B 15/04; B25B 17/00;
B25B 21/007; B25B 23/00; B25B
23/0035; B25B 23/005; B25B 23/12;
B25B 23/1405; B25B 27/18; B25B 31/12;
B25B 51/08; B25B 51/108; B25B
2251/66; B23P 15/00

See application file for complete search history.

DESCRIPTION

FIG. 1 is a right side elevation view of the tool in accordance with a first embodiment;
FIG. 2 is a rear elevation view of the tool of FIG. 1;
FIG. 3 is a left side elevation view of the tool of FIG. 1;
FIG. 4 is a front elevation view of the tool of FIG. 1;
FIG. 5 is a top plan view of the tool of FIG. 1;
FIG. 6 is a bottom plan view of the tool of FIG. 1;
FIG. 7 is a perspective view of the tool of FIG. 1; and,
FIG. 8 is an enlarged front elevation view of the display portion of the tool.
The elements shown in broken line in the drawings is for the purpose of showing environmental structure and forms no part of the claimed design.

1 Claim, 7 Drawing Sheets

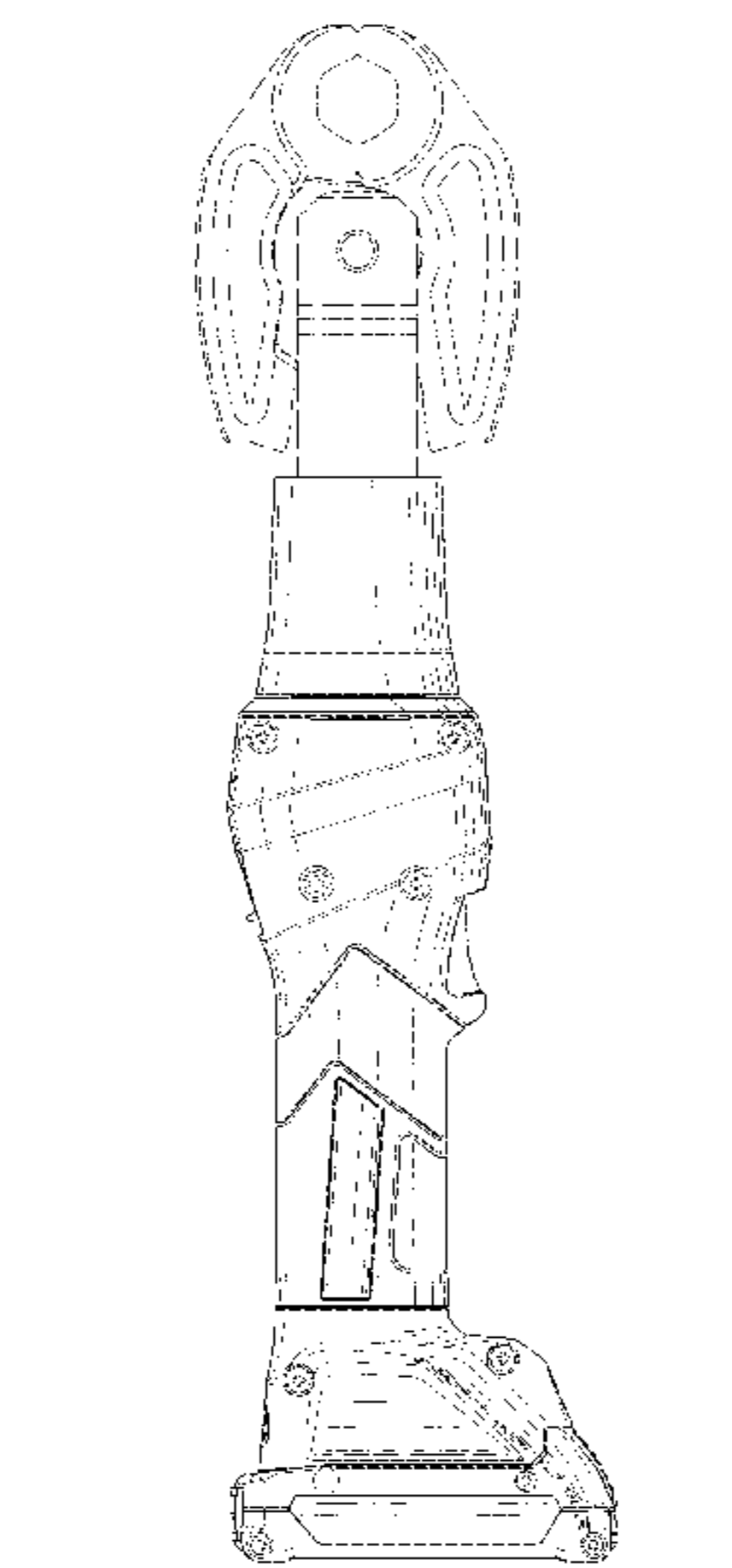


Fig. 1

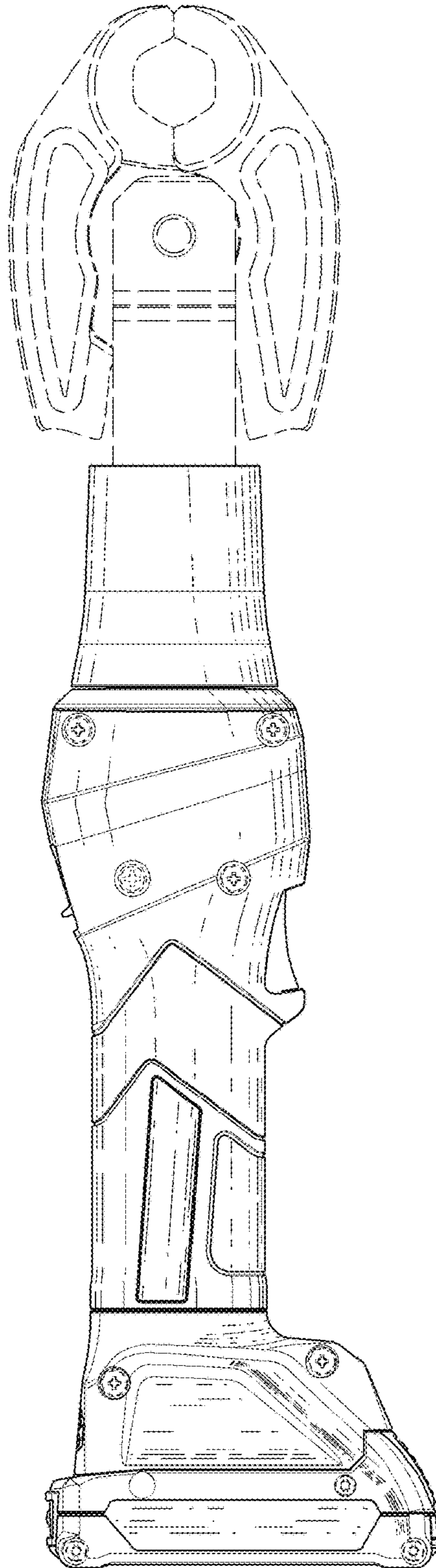


Fig. 2

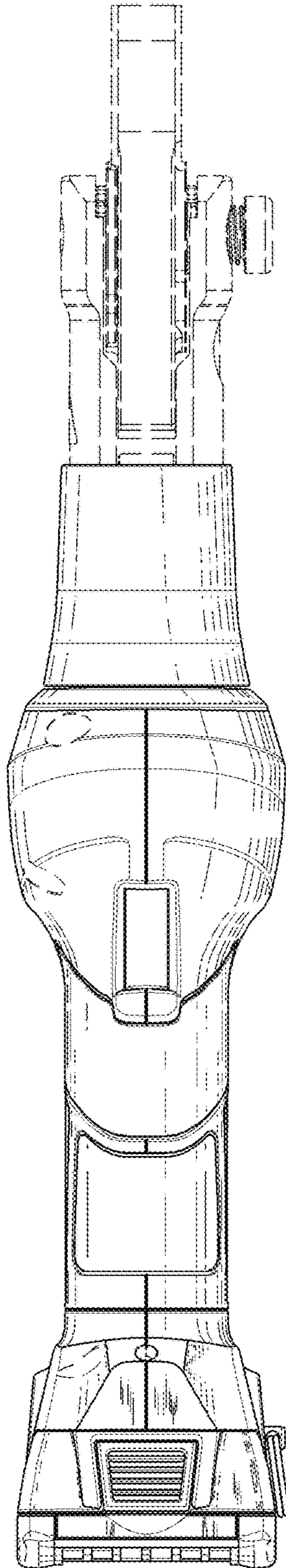


Fig. 3

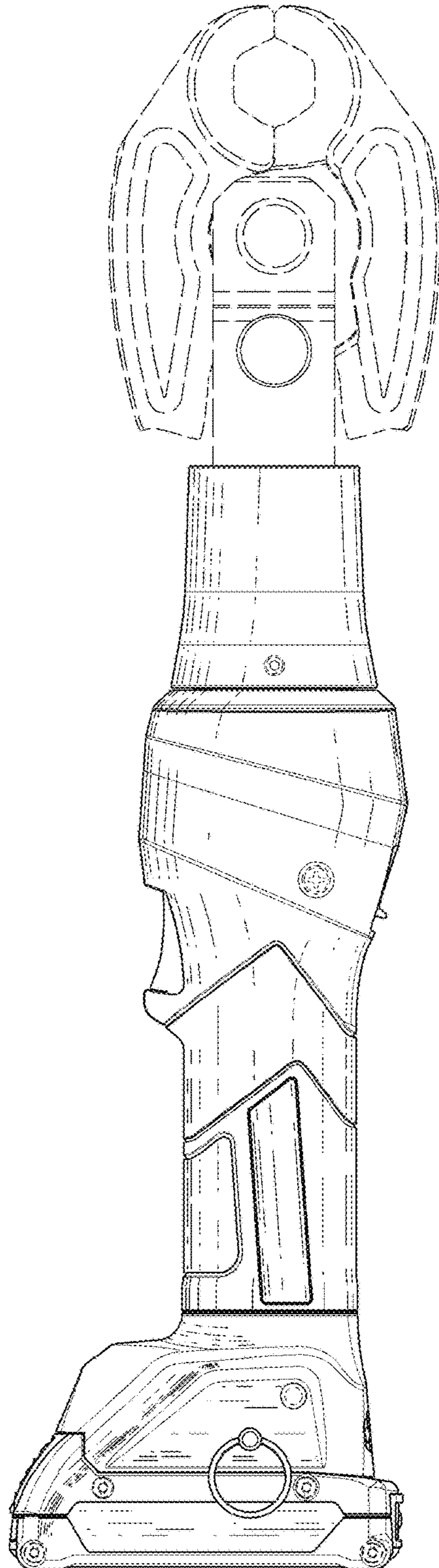


Fig. 4

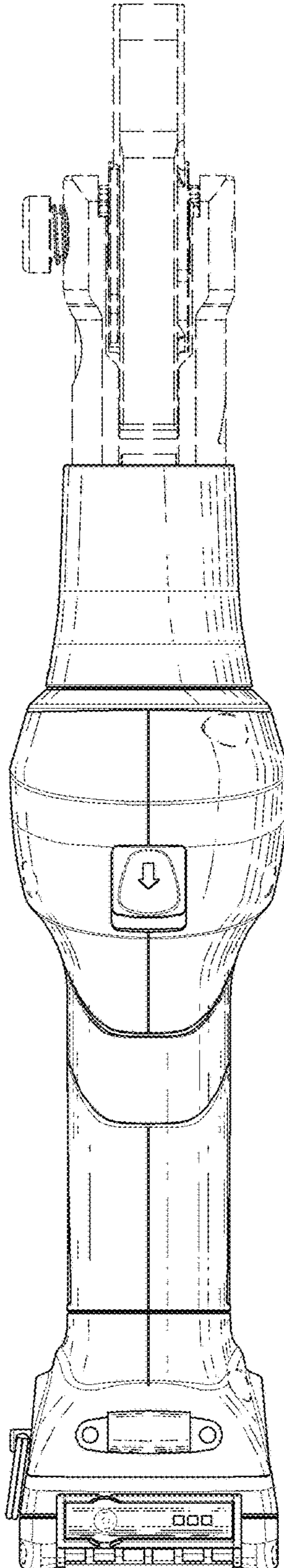


Fig. 5

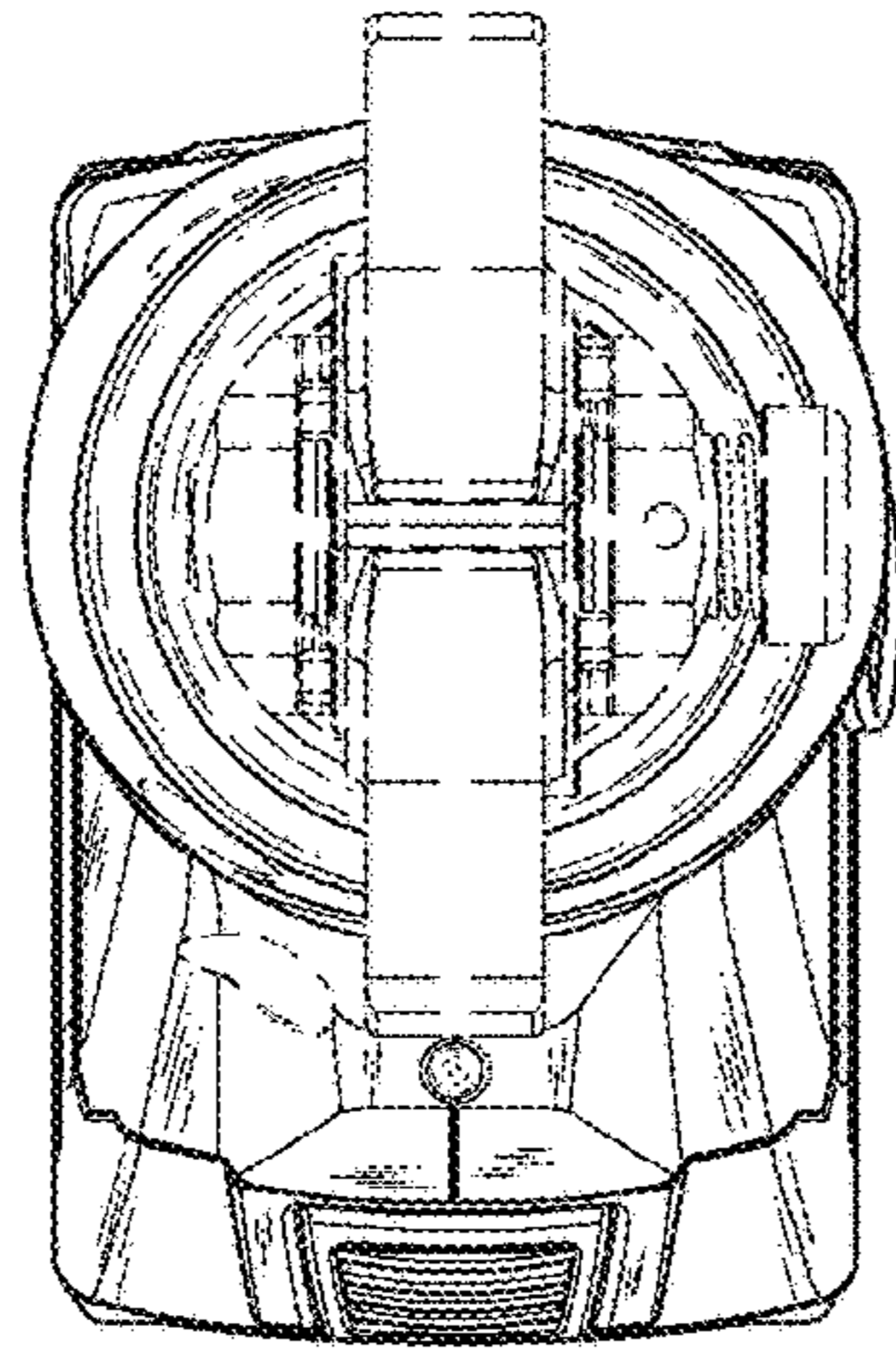


Fig. 6

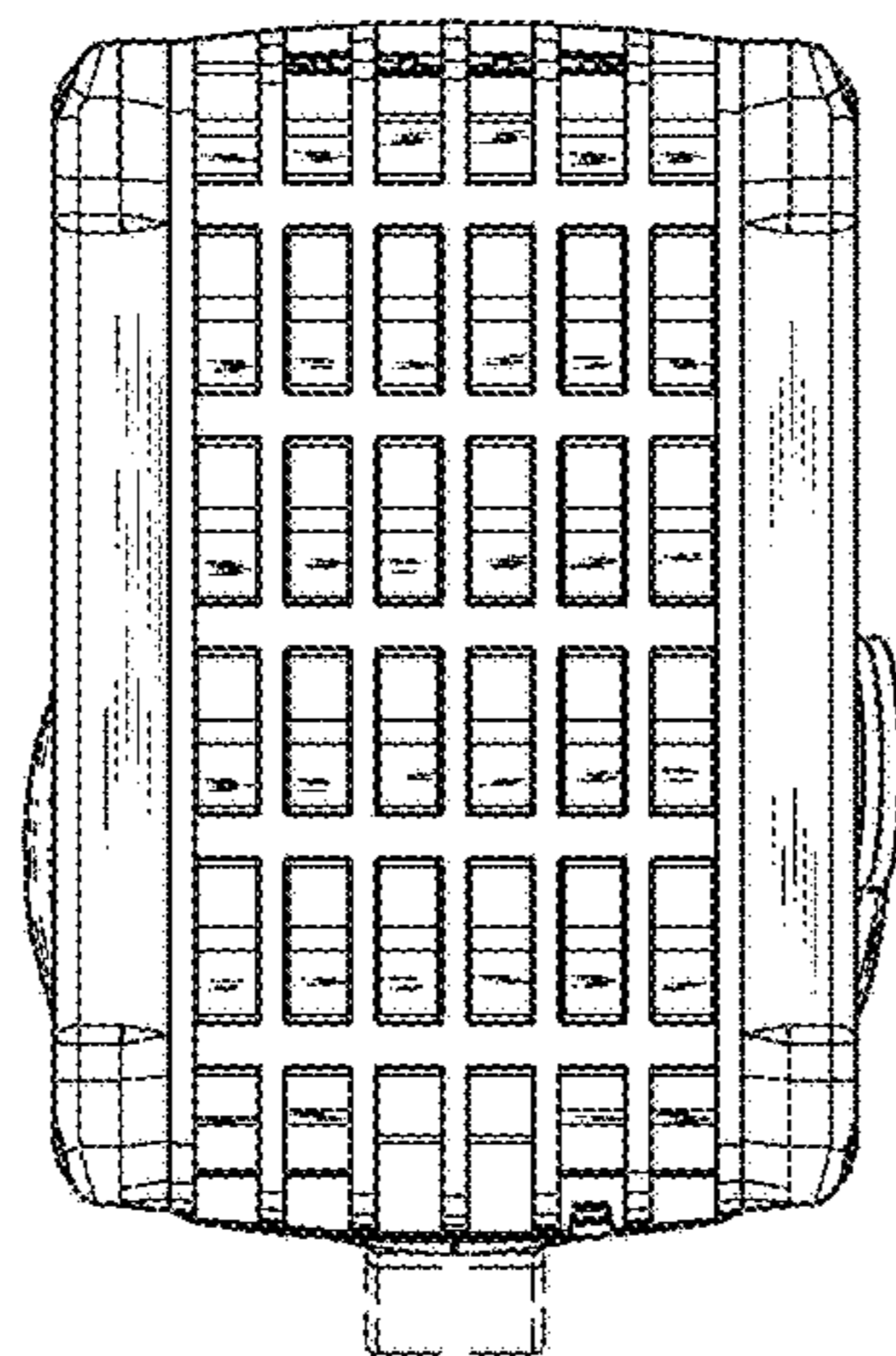


Fig. 7

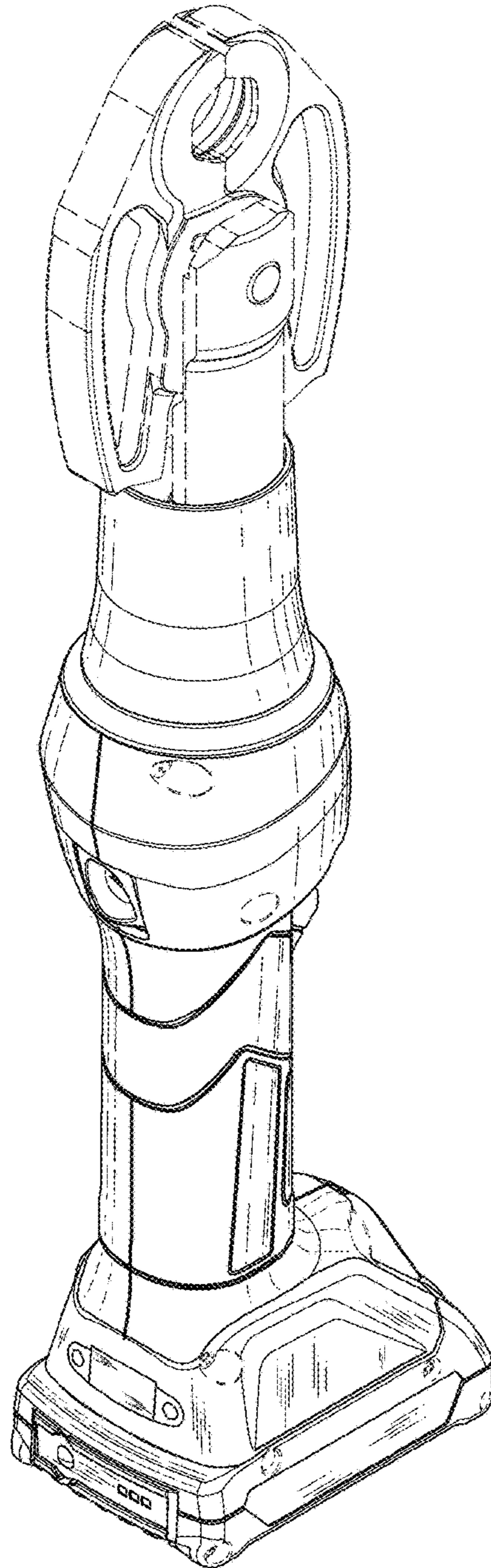


Fig. 8

