



US00D834904S

(12) **United States Design Patent**
Ozturk et al.

(10) **Patent No.:** **US D834,904 S**
(45) **Date of Patent:** **** Dec. 4, 2018**

- (54) **CAN OPENER**
- (71) Applicant: **DKB Household UK Limited**,
Farnborough, Hampshire (GB)
- (72) Inventors: **Osman Gokhan Ozturk**, Denham
Green (GB); **Christopher William
Hedges**, Hartley Wintney (GB)
- (73) Assignee: **DKB Household UK Limited** (GB)
- (**) Term: **15 Years**
- (21) Appl. No.: **29/609,572**
- (22) Filed: **Jun. 30, 2017**
- (30) **Foreign Application Priority Data**
Jan. 5, 2017 (EM) 003584382
- (51) **LOC (11) Cl.** **07-99**
- (52) **U.S. Cl.**
USPC **D8/41**
- (58) **Field of Classification Search**
USPC D8/18, 33-43; D3/207-211
CPC B67B 7/00; B67B 7/04; B67B 7/06; B67B
7/30; B67B 7/34; B67B 7/14; B67B 7/16;
B67B 7/18; B67B 7/20; B67B 7/44
See application file for complete search history.

- (56) **References Cited**
U.S. PATENT DOCUMENTS
1,852,389 A * 4/1932 Zidovec B67B 7/32
30/410
D253,391 S * 11/1979 Dreyer D8/39
D263,197 S * 3/1982 Kelly D8/39
D269,151 S * 5/1983 Schulein D8/39
4,563,818 A * 1/1986 Kreth B67B 7/34
30/417
D282,521 S * 2/1986 Steinko D8/39

- 4,825,554 A * 5/1989 Koo B67B 7/34
30/417
- D304,900 S * 12/1989 Miquelot D8/39
- D326,039 S * 5/1992 Viemeister D8/33
- 5,197,197 A * 3/1993 Himmighofen B67B 7/34
30/260
- D339,723 S * 9/1993 Tanfoglio D8/41
- D366,197 S * 1/1996 Laib D8/41
- D393,403 S * 4/1998 Tse D8/33
- D397,009 S * 8/1998 Hon D8/39
- 5,794,353 A * 8/1998 Lin B67B 7/34
30/417
- D404,269 S * 1/1999 Chang D8/39
- D404,270 S * 1/1999 Chang D8/40
- D405,332 S * 2/1999 So D8/39
- D406,026 S * 2/1999 So D8/39
- D406,027 S * 2/1999 So D8/39
- D406,222 S * 3/1999 Wong D8/39
- D409,888 S * 5/1999 So D8/39
- D410,180 S * 5/1999 So D8/39
- D415,666 S * 10/1999 Ho D8/39
- 6,094,828 A * 8/2000 Chong B67B 7/34
30/417
- D436,508 S * 1/2001 Roberts D8/39

(Continued)

Primary Examiner — Elizabeth A. Albert
(74) *Attorney, Agent, or Firm* — Dorsey & Whitney LLP

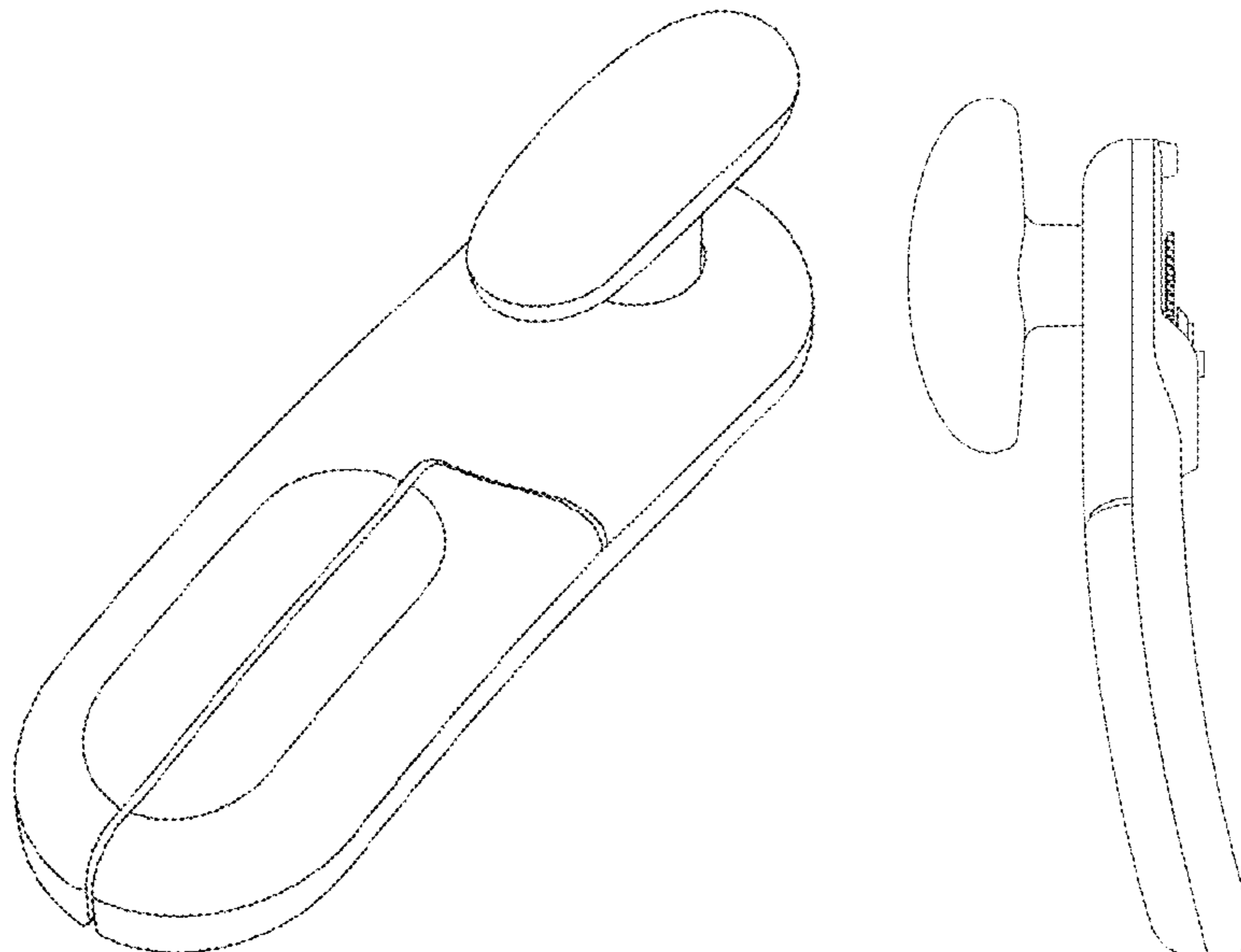
(57) **CLAIM**

The ornamental design for a can opener, as shown.

DESCRIPTION

FIG. 1 is an isometric view of a can opener in accordance with the present design;
FIG. 2 is a front elevation view thereof;
FIG. 3 is a rear elevation view thereof;
FIG. 4 is a right side elevation view thereof;
FIG. 5 is a left side elevation view thereof;
FIG. 6 is a top plan view thereof; and,
FIG. 7 is a bottom plan view thereof.

1 Claim, 7 Drawing Sheets



(56)

References Cited

U.S. PATENT DOCUMENTS

6,182,368 B1 *	2/2001	So	B67B 7/34			
					30/416		
D441,626 S *	5/2001	Greiner	D8/41			
D442,044 S *	5/2001	Juhlin	D8/39			
D454,472 S *	3/2002	Sum	D8/39			
D455,940 S *	4/2002	Tse	D8/39			
D458,819 S *	6/2002	Levien	D8/39			
D459,962 S *	7/2002	Chong	D8/40			
D466,771 S *	12/2002	Chang	D8/41			
D471,412 S *	3/2003	Greiner	D8/41			
D474,083 S *	5/2003	Lo	D8/39			
6,618,886 B2 *	9/2003	Herren	B67B 7/34			
					30/408		
6,647,631 B2 *	11/2003	So	B67B 7/32			
					30/417		
6,671,970 B2 *	1/2004	Chong	B67B 7/34			
					30/410		
6,675,487 B2 *	1/2004	So	B67B 7/34			
					220/265		
D488,975 S *	4/2004	Overthun	D8/39			
D488,976 S *	4/2004	Chen	D8/41			
D495,571 S *	9/2004	Brousseau	D8/39			
6,829,832 B2 *	12/2004	Chang	B67B 7/34			
					30/417		
D501,770 S *	2/2005	Di Bitonto	B67B 7/34			
					D8/39		
D501,772 S *	2/2005	Overthun	D8/39			
6,851,195 B2 *	2/2005	So	B67B 7/34			
					30/416		
D510,690 S *	10/2005	Greiner	D8/40			
D513,950 S *	1/2006	So	D8/40			
D521,827 S *	5/2006	So	D8/41			
D522,824 S *	6/2006	McGuyer	D8/41			
7,121,009 B2 *	10/2006	Robbins	B67B 7/34			
					30/418		
D537,687 S *	3/2007	Parlowski	D8/41			
D558,011 S *	12/2007	Bodum	D8/41			
D560,454 S *	1/2008	Raia	D8/38			
D562,658 S *	2/2008	So	D8/41			
D583,207 S *	12/2008	Eide	D8/41			
7,784,190 B2 *	8/2010	So	B67B 7/34			
					30/416		
D649,849 S *	12/2011	Bates	D8/40			
D693,195 S *	11/2013	Poure	D8/43			
D711,710 S *	8/2014	Greiner	D8/40			
D721,560 S *	1/2015	Roberts	D8/41			
D748,960 S *	2/2016	Schuler	D8/41			
D801,142 S *	10/2017	Cornu	D8/40			
D809,945 S *	2/2018	Prommel	D10/57			
2006/0179669 A1 *	8/2006	Robbins	B67B 7/34			
					30/418		
2016/0221814 A1 *	8/2016	Kent	B67B 7/32			

* cited by examiner

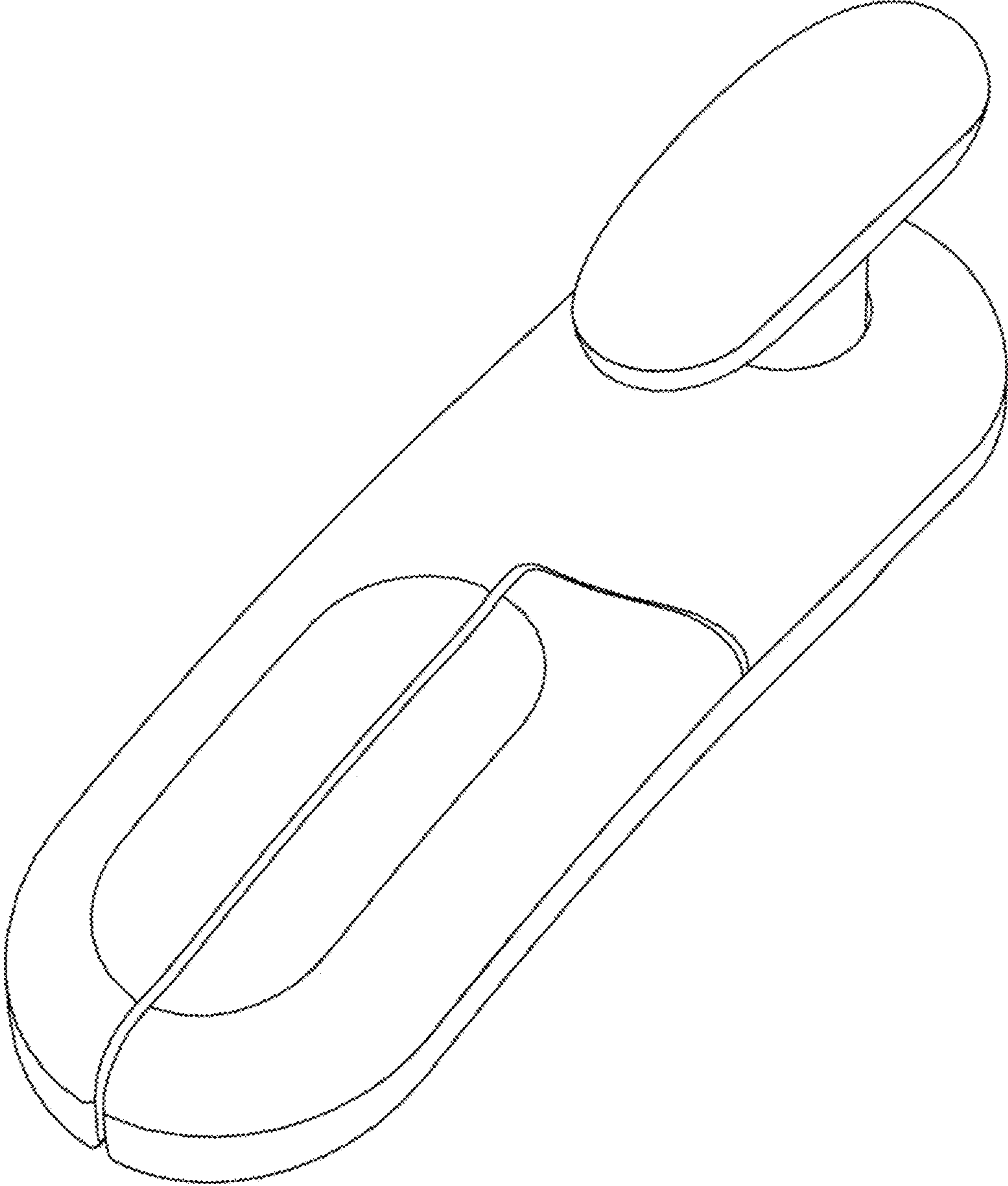


FIG. 1

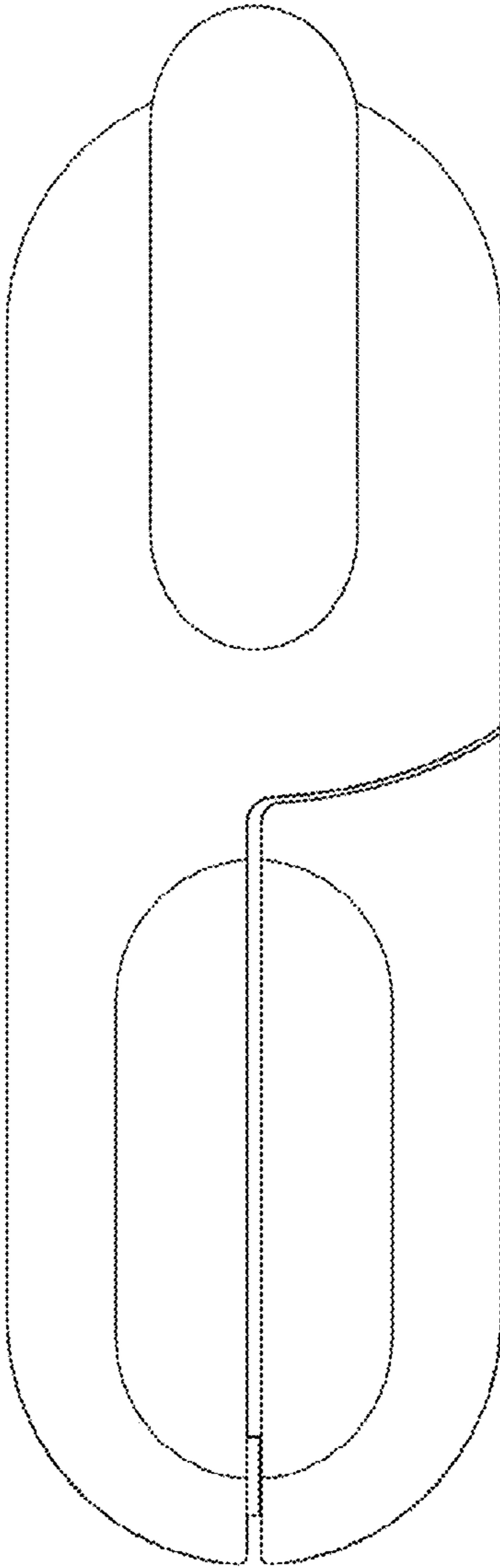


FIG. 2

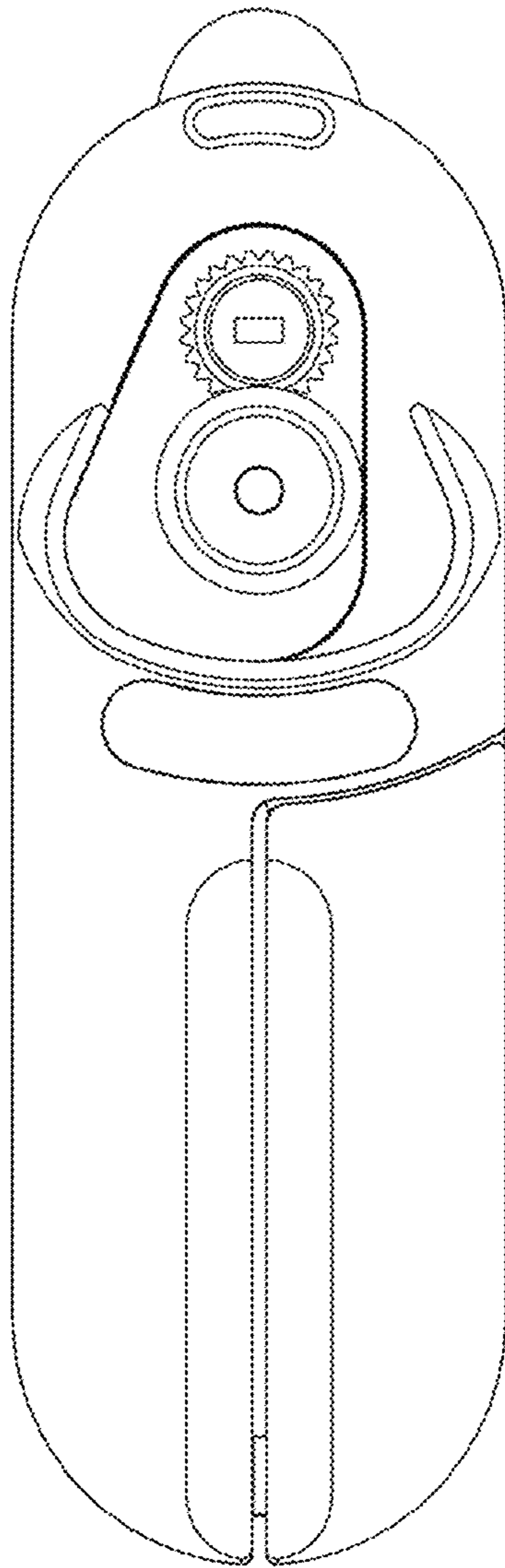


FIG. 3

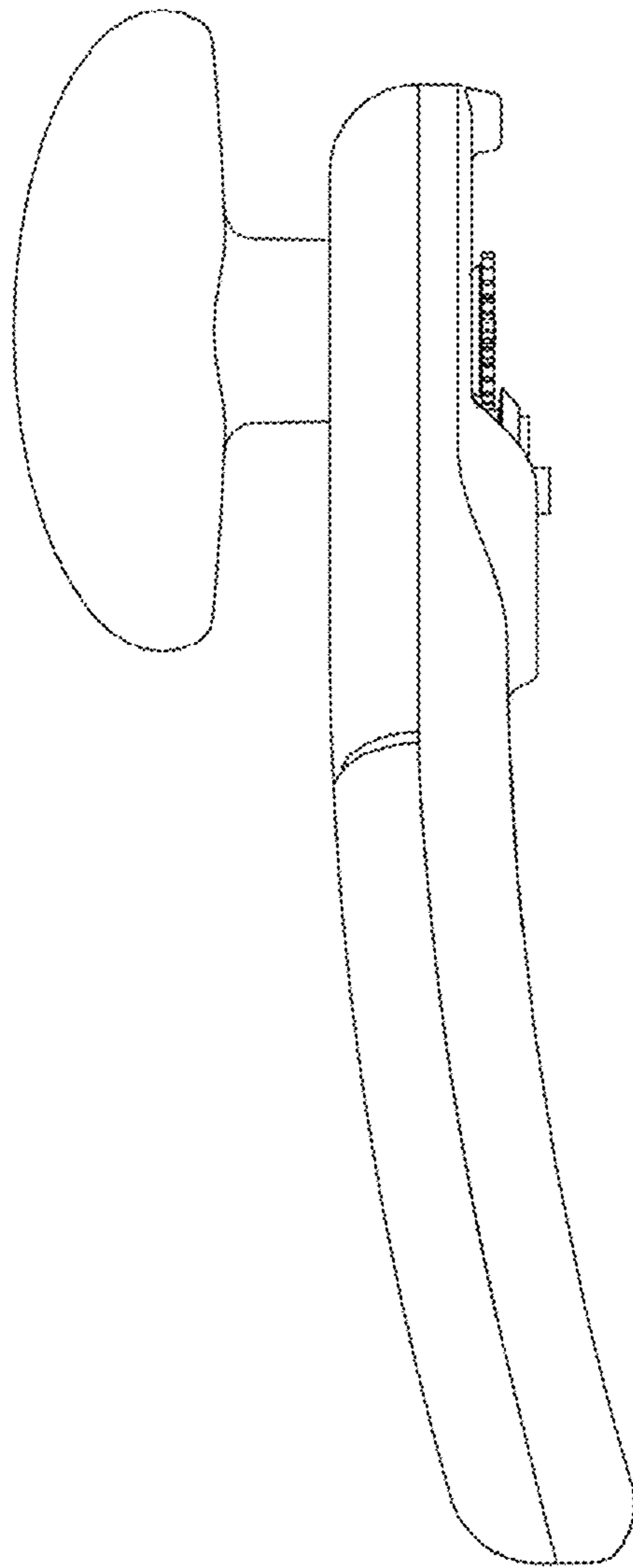


FIG. 4

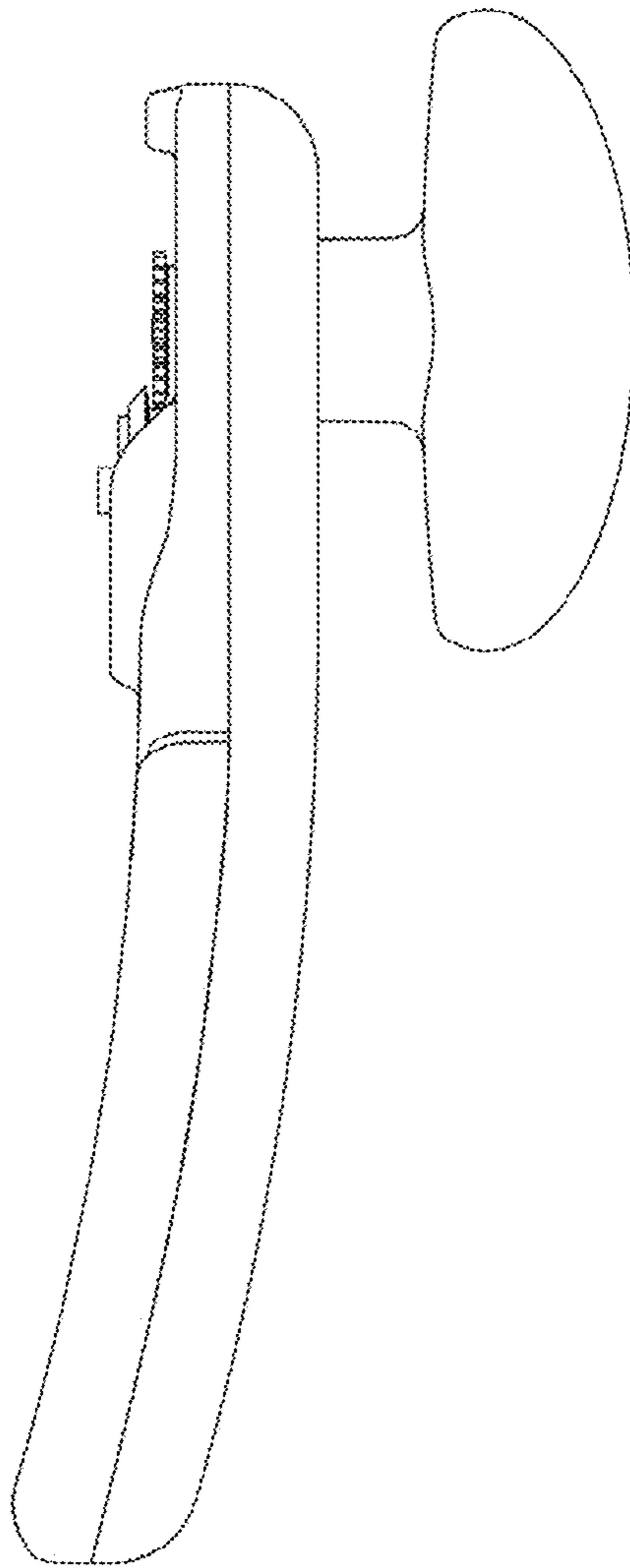


FIG. 5

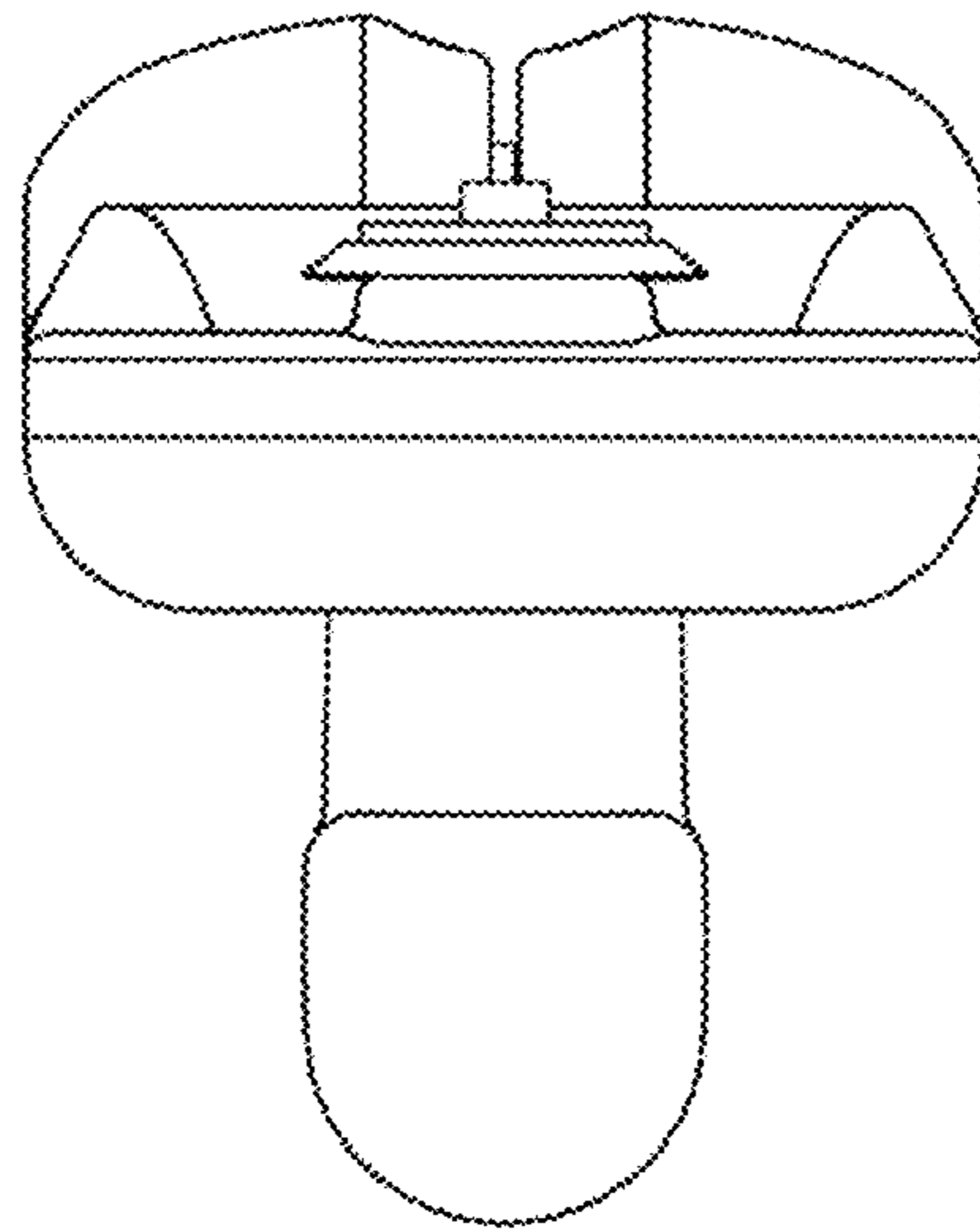


FIG. 6

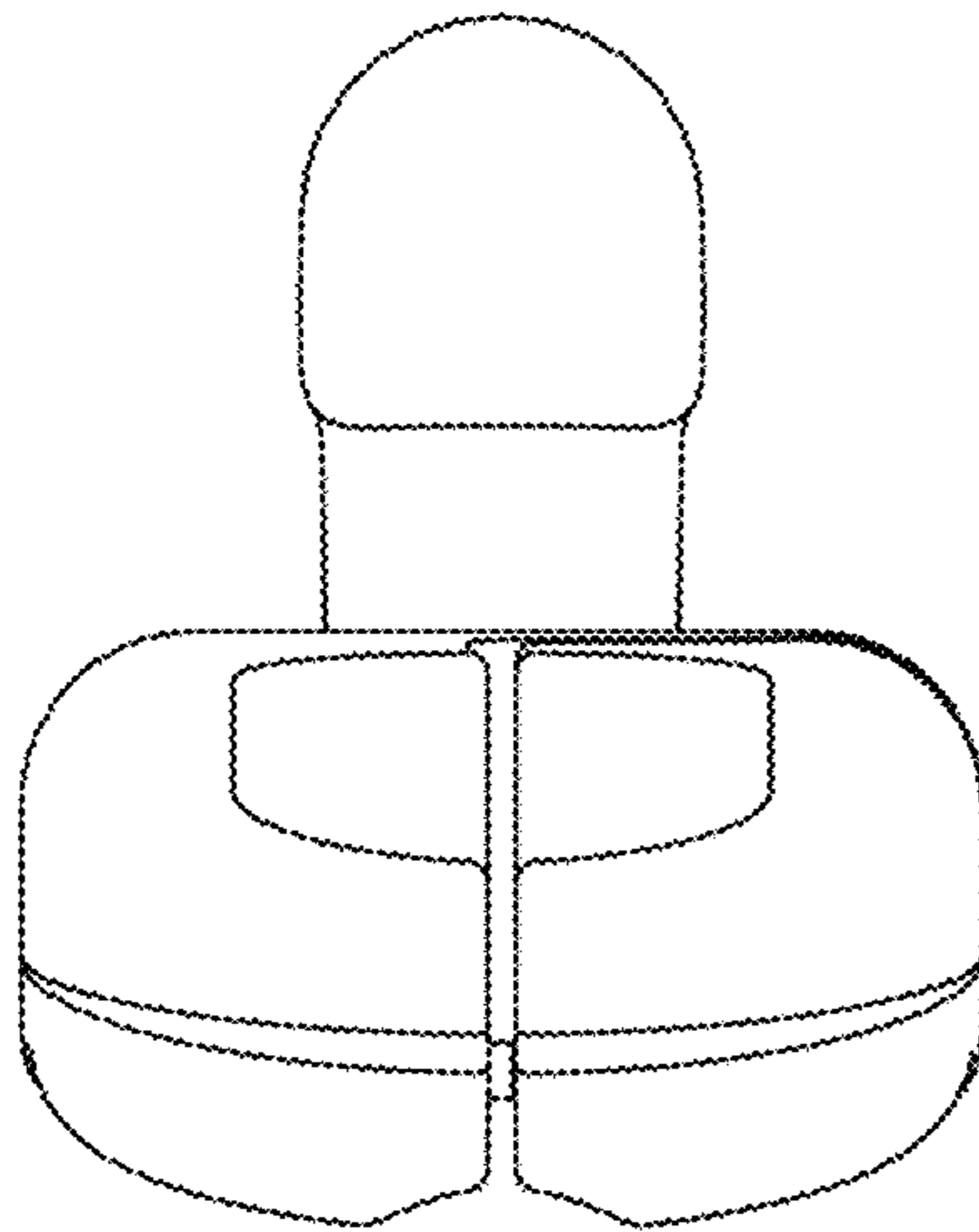


FIG. 7