



US00D834903S

(12) **United States Design Patent**  
**Lee**

(10) **Patent No.:** **US D834,903 S**  
(45) **Date of Patent:** **\*\* Dec. 4, 2018**

(54) **WRENCH SOCKET**

8,869,660 B2 \* 10/2014 Hsieh ..... B25B 13/04  
81/119

(71) Applicant: **Tsan-Chang Lee**, Taichung (TW)

\* cited by examiner

(72) Inventor: **Tsan-Chang Lee**, Taichung (TW)

*Primary Examiner* — Randall H Gholson

(\*\*) Term: **15 Years**

(57) **CLAIM**

(21) Appl. No.: **29/623,383**

The ornamental design for a wrench socket, as shown and described.

(22) Filed: **Oct. 24, 2017**

**DESCRIPTION**

(51) **LOC (11) Cl.** ..... **08-05**

FIG. 1 is a perspective view of a first embodiment of the wrench socket showing my new design;

(52) **U.S. Cl.**

FIG. 2 is a front elevation view of the wrench socket of FIG. 1;

USPC ..... **D8/29**

(58) **Field of Classification Search**

FIG. 3 is a rear elevation view of the wrench socket of FIG. 1;

USPC ..... D8/21–29; 81/60, 177.1, 177.85, 121.1,  
81/124.3, 165–170, 110.1, 176.2, 124.6,  
81/176.1, 176.15, 177.2; 16/110.1

FIG. 4 is a left side elevation view of the wrench socket of FIG. 1;

CPC ..... B25B 13/06  
See application file for complete search history.

FIG. 5 is a right side elevation view of the wrench socket of FIG. 1;

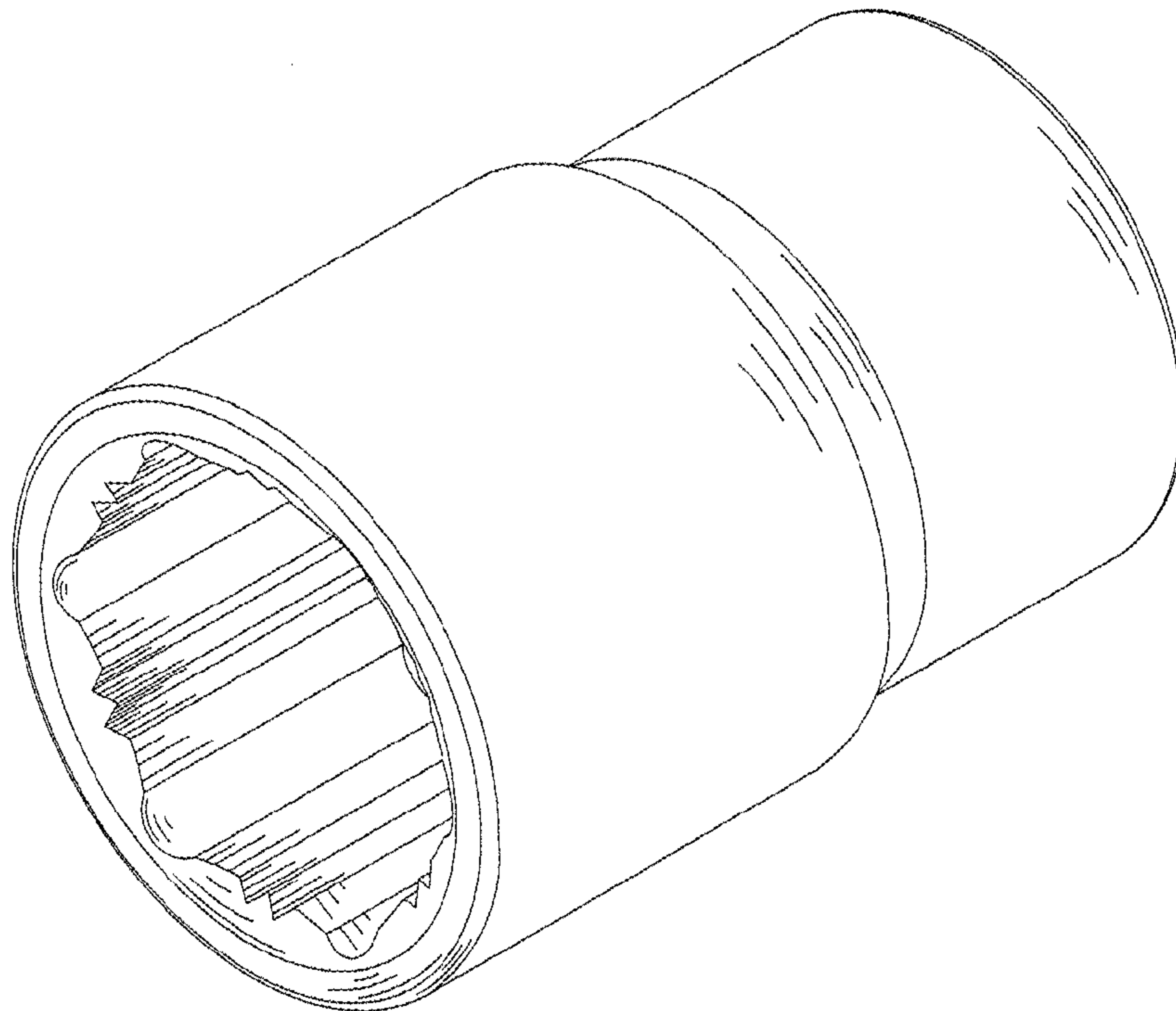
(56) **References Cited**

FIG. 6 is a top plan view of the wrench socket of FIG. 1; and,  
FIG. 7 is a bottom plan view of the wrench socket of FIG. 1.

**U.S. PATENT DOCUMENTS**

D709,343 S \* 7/2014 Huang ..... D8/29

**1 Claim, 4 Drawing Sheets**



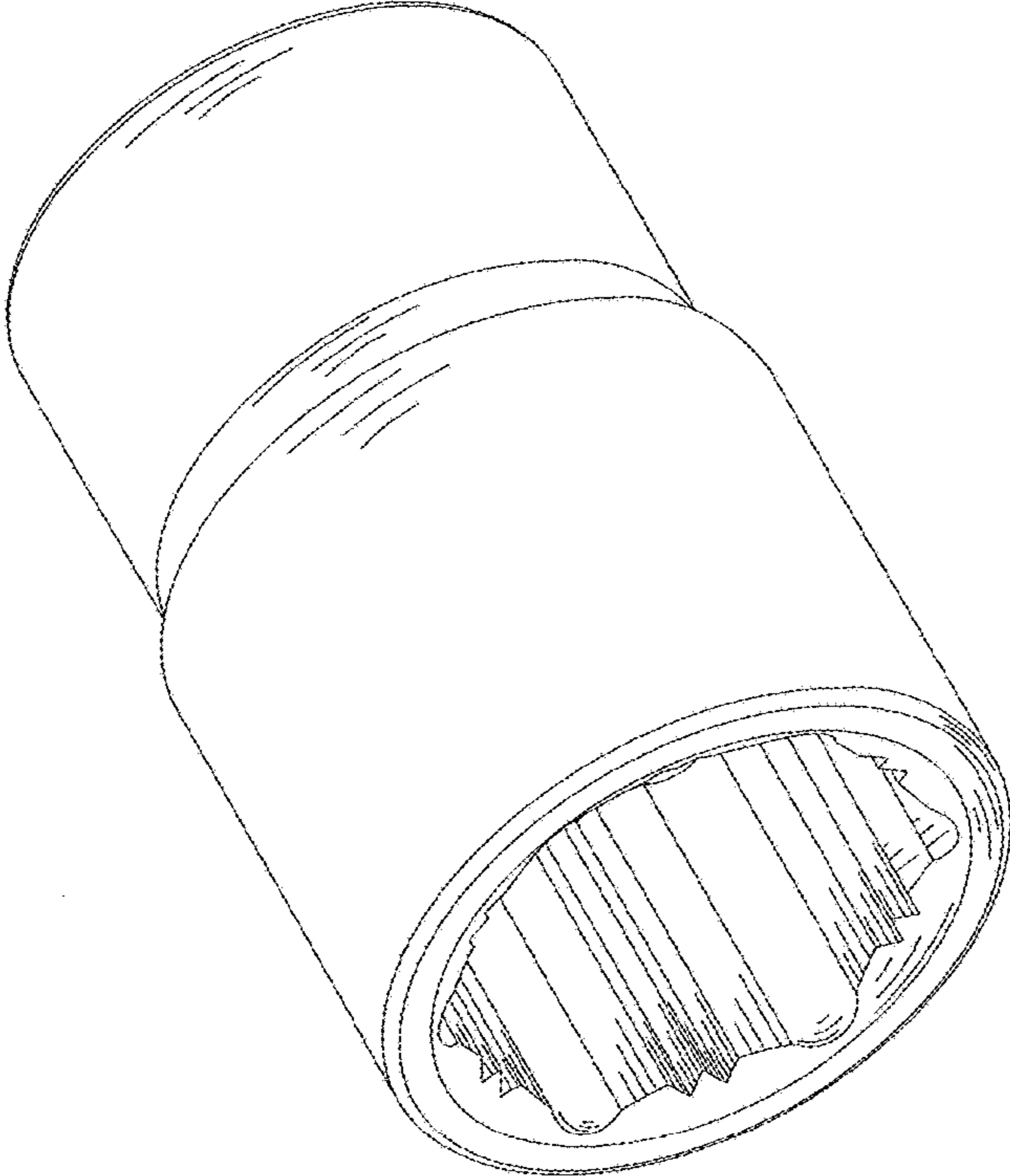


FIG.1

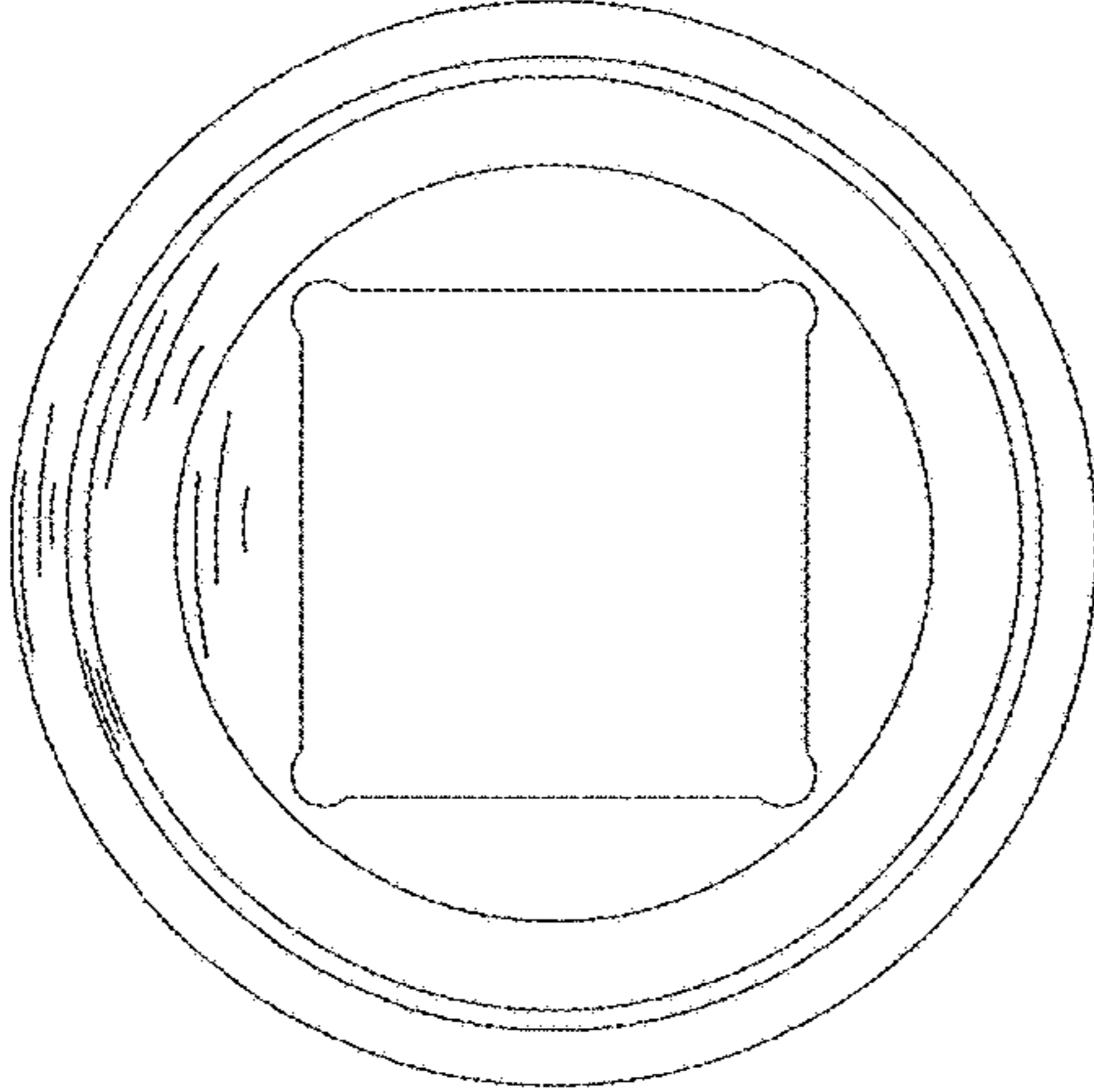


FIG.3

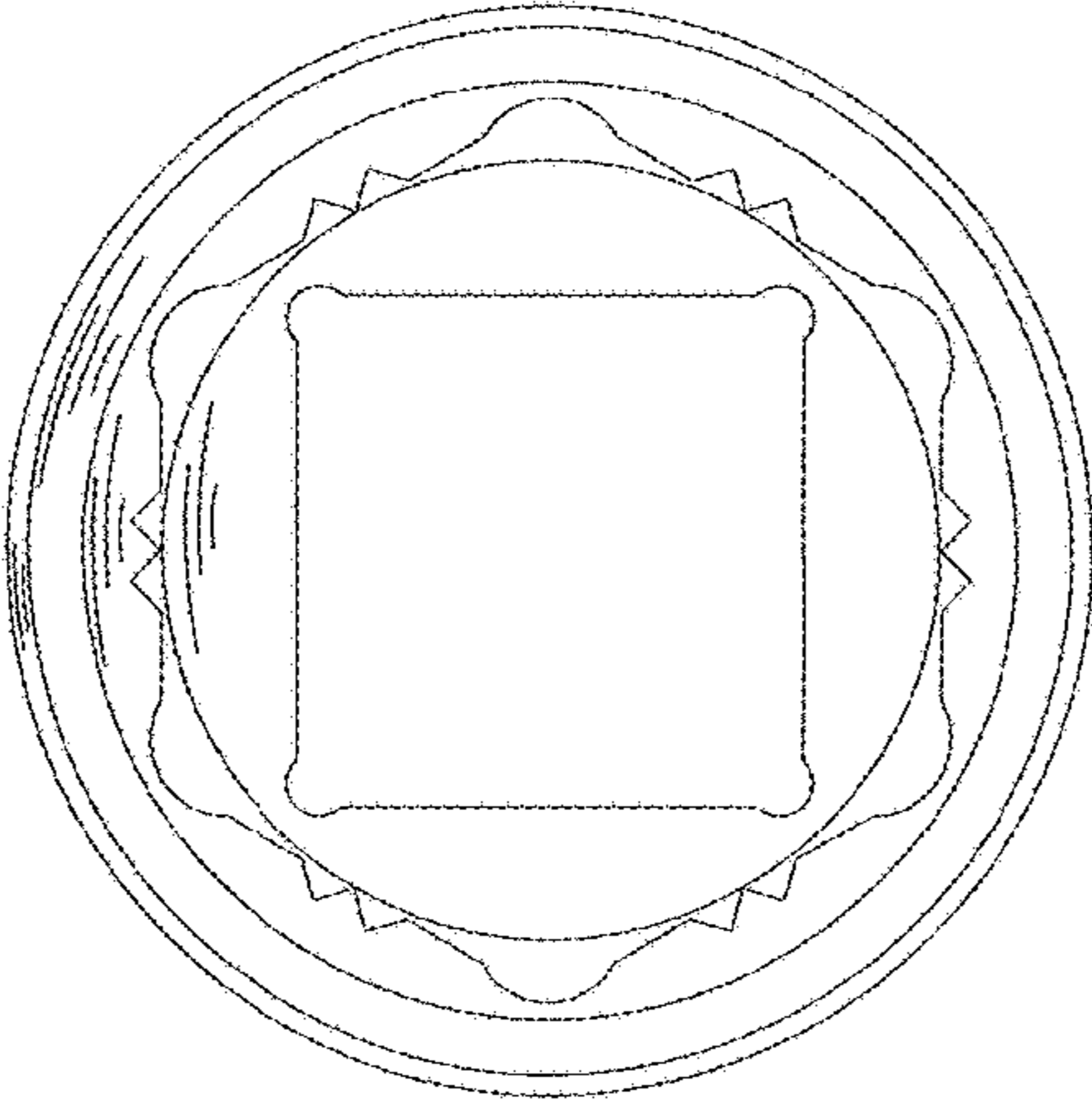


FIG.2

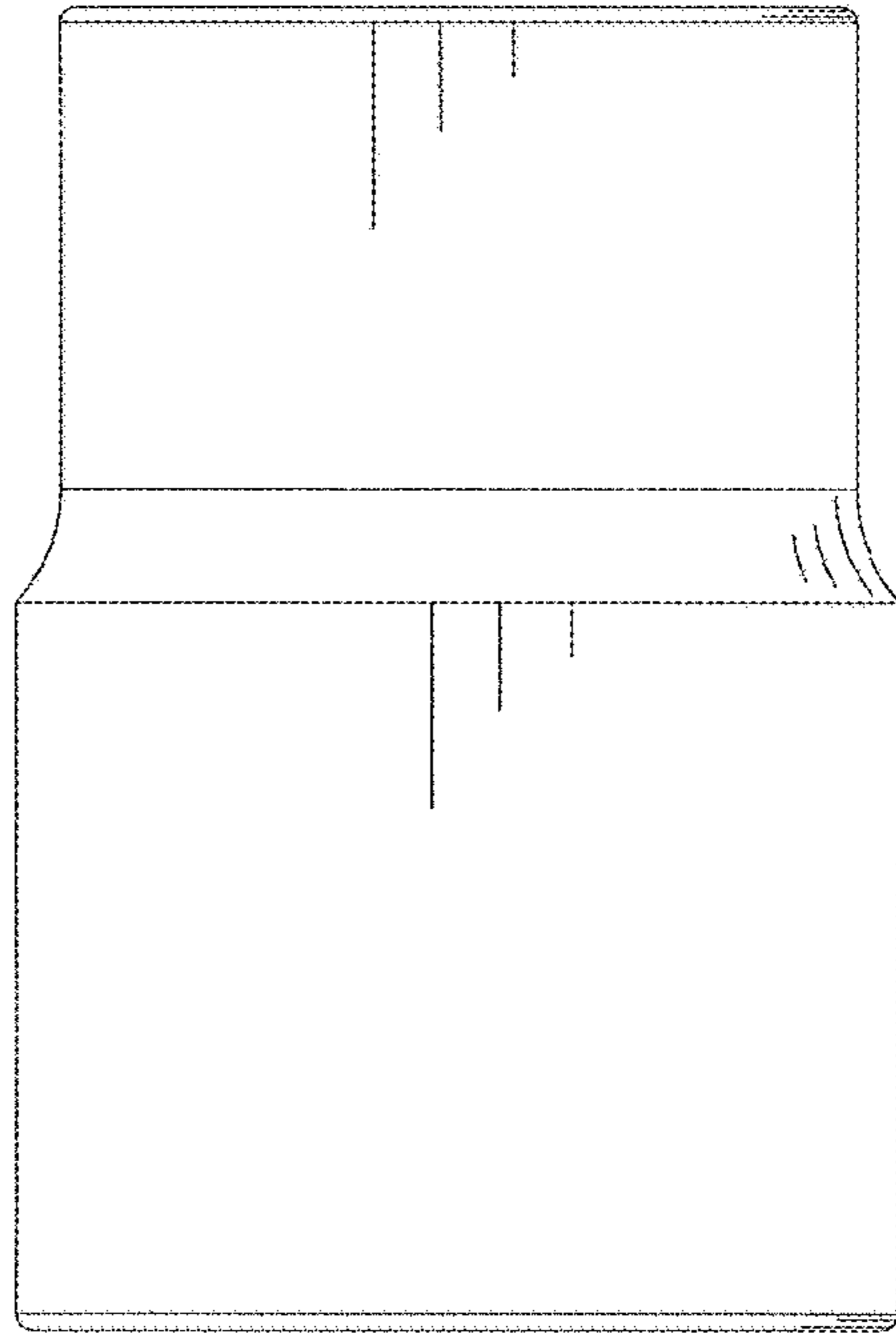


FIG.5

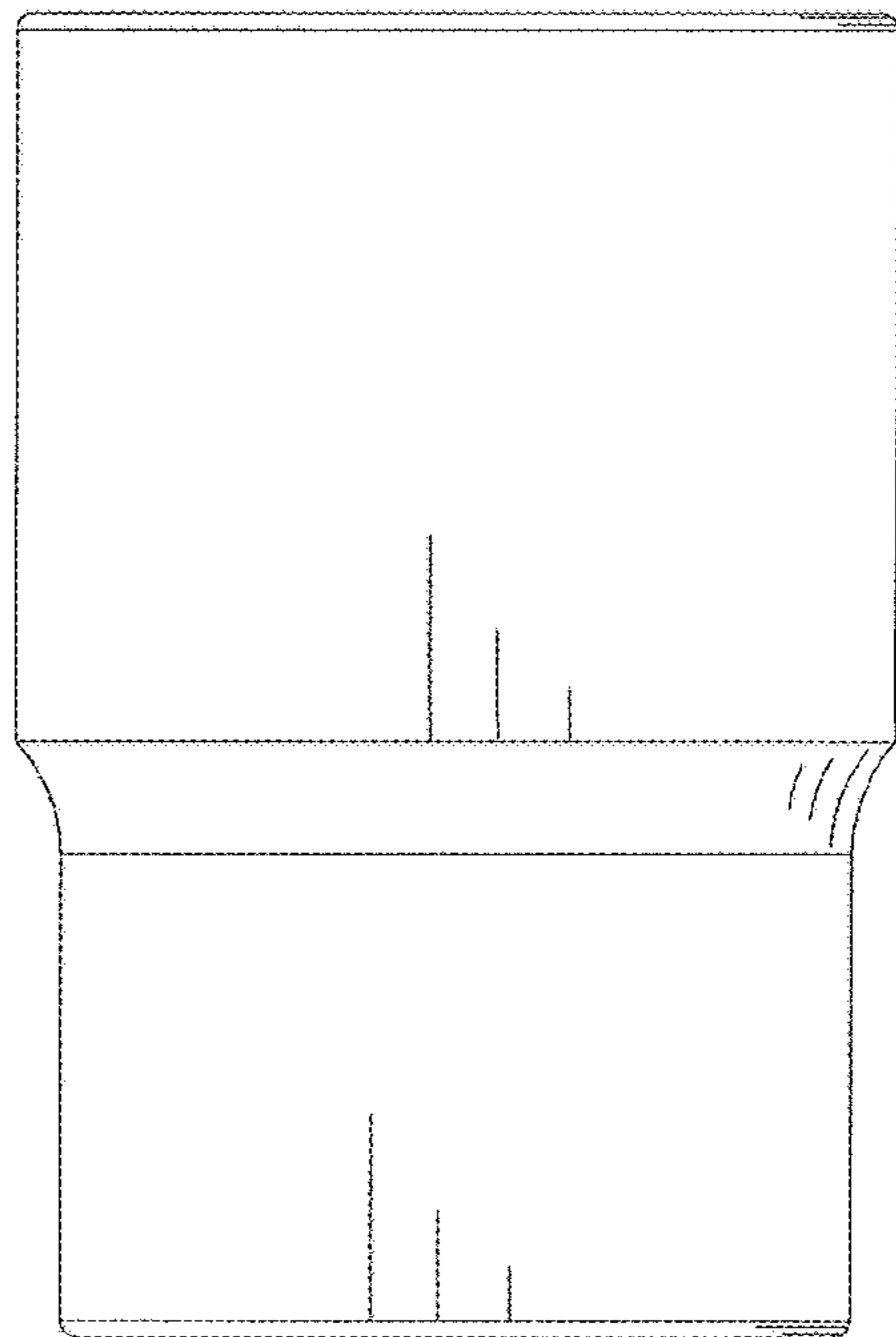


FIG.4

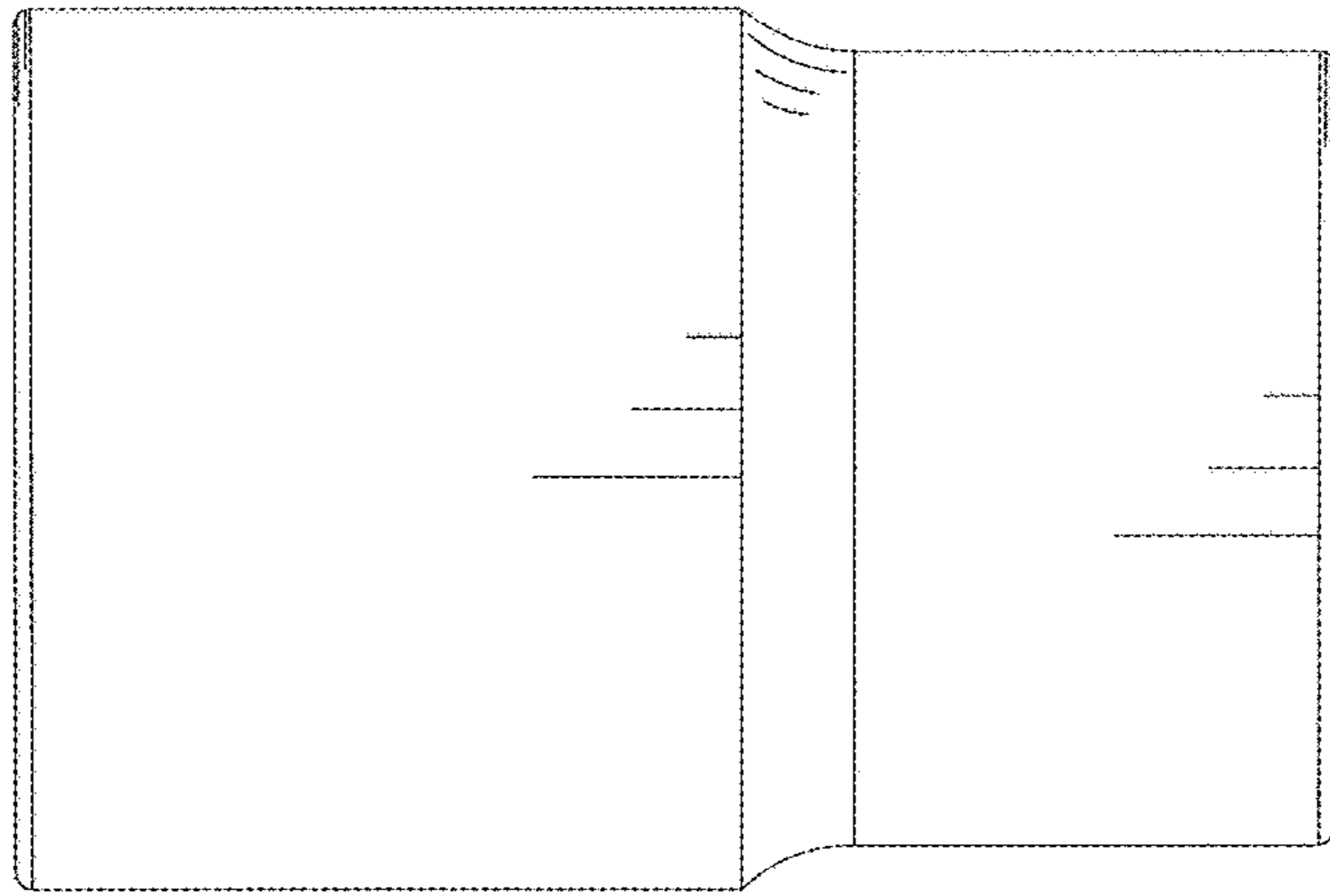


FIG.7

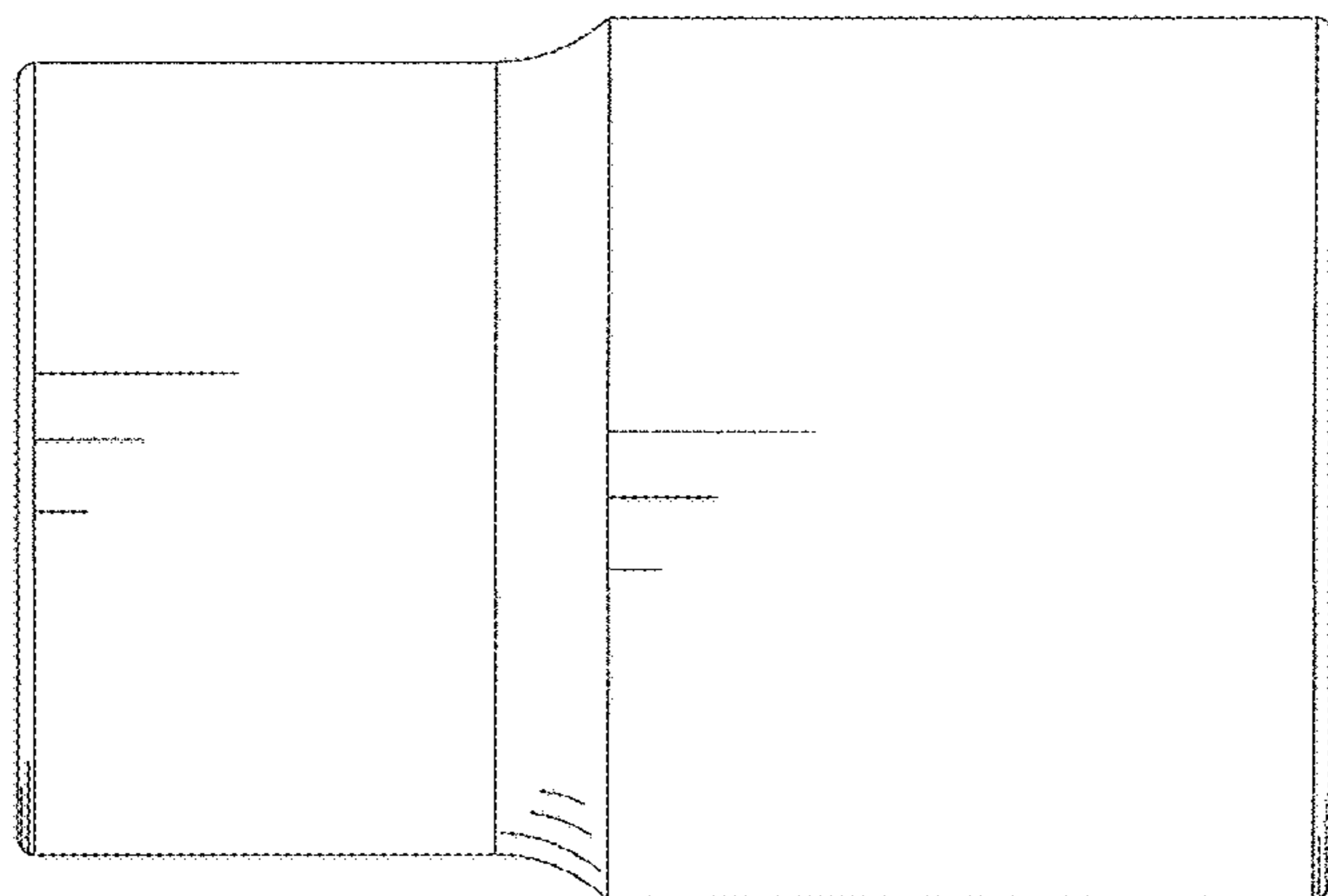


FIG.6