



US00D834901S

(12) **United States Design Patent** (10) **Patent No.:** **US D834,901 S**
Dubiel (45) **Date of Patent:** **** Dec. 4, 2018**

(54) **HAND-HELD SPREADER**
(71) Applicant: **CHAPIN MANUFACTURING, INC.**,
Batavia, NY (US)
(72) Inventor: **David J. Dubiel**, North Chili, NY (US)
(73) Assignee: **Chapin Manufacturing, Inc.**, Batavia,
NY (US)

6,092,746 A 7/2000 Dillon
D534,044 S 12/2006 Zak
D552,946 S 10/2007 Shanklin et al.
7,281,675 B2 10/2007 Elrod et al.
7,328,861 B2 2/2008 Sagol et al.
8,191,804 B1 6/2012 Pullara, Jr.
D744,303 S 12/2015 Marconi
D796,922 S 9/2017 Hsu et al.

(Continued)

(**) Term: **15 Years**
(21) Appl. No.: **29/603,028**

(22) Filed: **May 5, 2017**
(51) **LOC (11) Cl.** **08-02**
(52) **U.S. Cl.**
USPC **D8/2**
(58) **Field of Classification Search**
USPC D8/2; D15/13, 26
CPC A01C 17/00; A01C 15/02
See application file for complete search history.

OTHER PUBLICATIONS

Chapin Hand Crank Spreader—1.5L, Model #84150, www.chapinmfg.com, printed Dec. 4, 2015.

(Continued)

Primary Examiner — Sheryl Lane
(74) *Attorney, Agent, or Firm* — Woods Oviatt Gilman
LLP; Katherine H. McGuire, Esq.

(57) **CLAIM**
The ornamental design for a hand-held spreader, as shown and described.

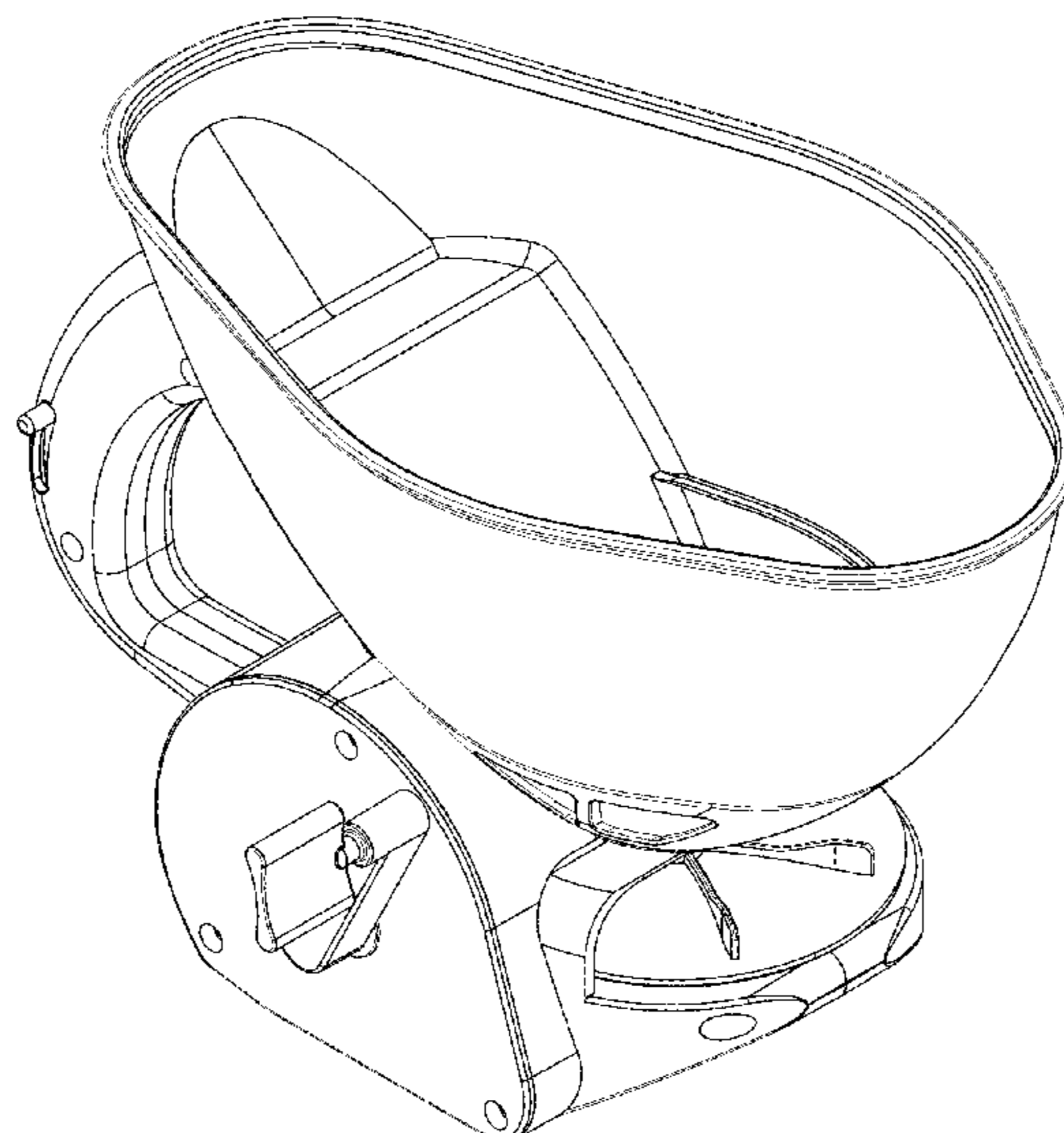
(56) **References Cited**
U.S. PATENT DOCUMENTS

502,604 A	8/1893	Bollinger
579,049 A	3/1897	Eltzroth
649,953 A	5/1900	Rinderknecht
1,948,668 A	2/1934	Kuchler
2,514,962 A	7/1950	McElhatton
2,691,530 A	10/1954	Krueger
3,096,984 A	7/1963	Garrison
3,157,402 A	11/1964	Love, Jr.
3,227,461 A	1/1966	Love, Jr.
3,993,225 A	11/1976	Manni
4,140,280 A	2/1979	Allen et al.
5,119,993 A	6/1992	Gunzel, Jr. et al.
5,123,598 A	6/1992	Courtney et al.
D327,823 S	7/1992	Demarest
D333,951 S	3/1993	Courtney et al.
5,271,568 A	12/1993	Stevie
5,285,971 A	2/1994	Havlovitz
D387,638 S	12/1997	Delaby et al.

DESCRIPTION

FIG. 1 is a perspective view looking downwardly from the right side of the front of a hand-held spreader in accordance with my design;
FIG. 2 is a right elevational view thereof;
FIG. 3 is a left elevational view thereof;
FIG. 4 is a front view thereof;
FIG. 5 is a rear view thereof;
FIG. 6 is a top view thereof;
FIG. 7 is a bottom view thereof;
FIG. 8 is a perspective view looking downwardly from the right side of the rear thereof; and,
FIG. 9 is a perspective view looking upwardly from the right side of the rear thereof.
The broken lines represent portions of the spreader and form no part of the claimed design.

1 Claim, 9 Drawing Sheets



(56)

References Cited

U.S. PATENT DOCUMENTS

2007/0034710 A1 2/2007 Elrod et al.
2014/0263484 A1 9/2014 Marconi

OTHER PUBLICATIONS

Scotts Handy Green II Hand-Held Broadcast Spreader, The Scotts Company LLC, www.scotts.com, printed Apr. 6, 2017.
Quick Start Guide, Scotts Handy Green II Hand-Held Broadcast Spreader, The Scotts Company LLC, 2011.
Precision HHBS-125 6 Lb Capacity Handheld Broadcast Spreader, walmart.com, printed Dec. 4, 2015.
Plantmates 76500 All-Purpose Spreader, amazon.com, printed Dec. 4, 2015.
Solo 421S 20-Pound Capacity Portable Spreader, amazon.com, printed Dec. 4, 2015.
Scotts Wizz Spreader, The Scotts Company LLC, www.scotts.com, printed Apr. 6, 2017.
Scotts Easy Hand-Held Broadcast Spreader, The Scotts Company LLC, www.scotts.com, printed Apr. 6, 2017.

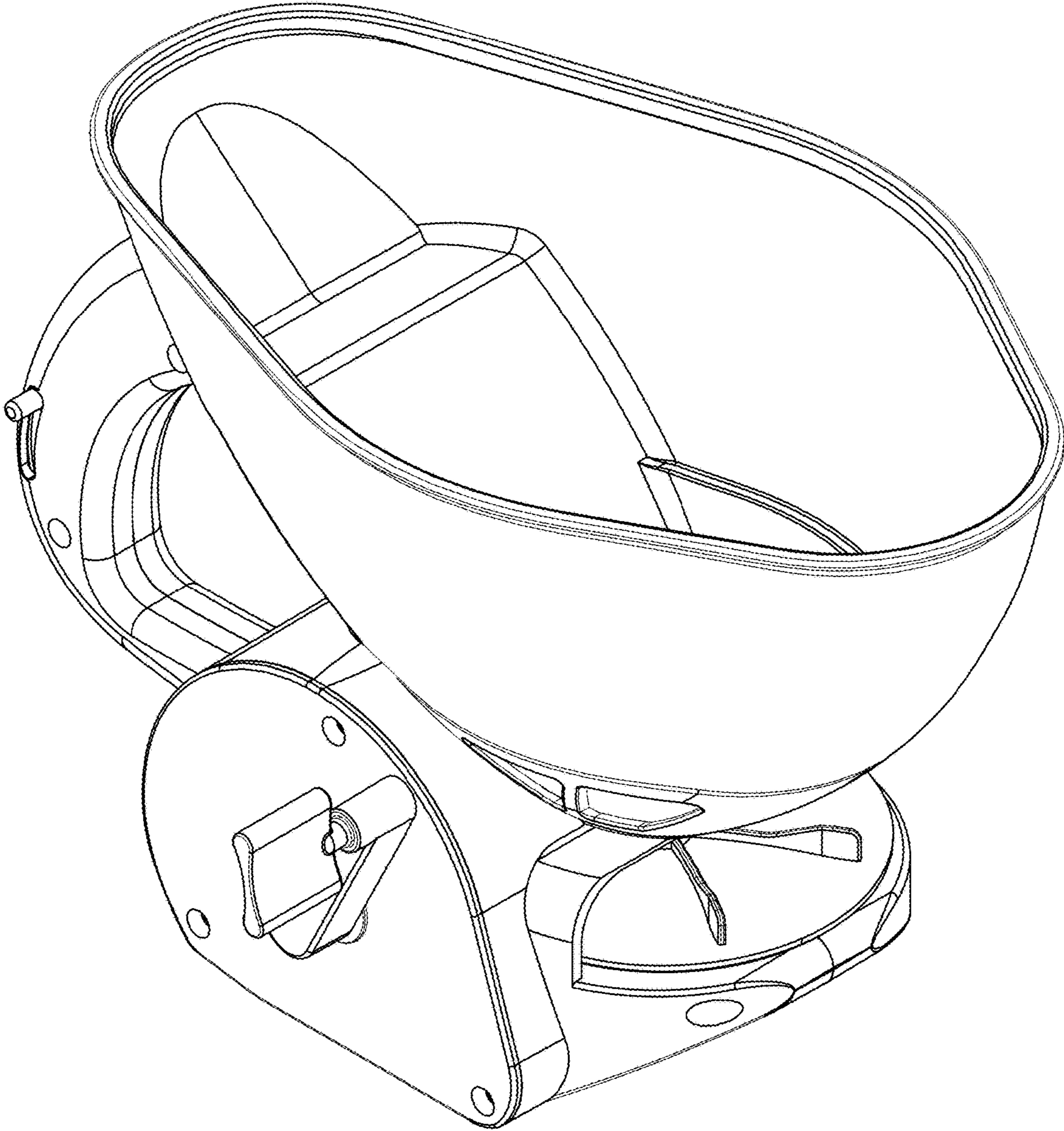


FIG. 1

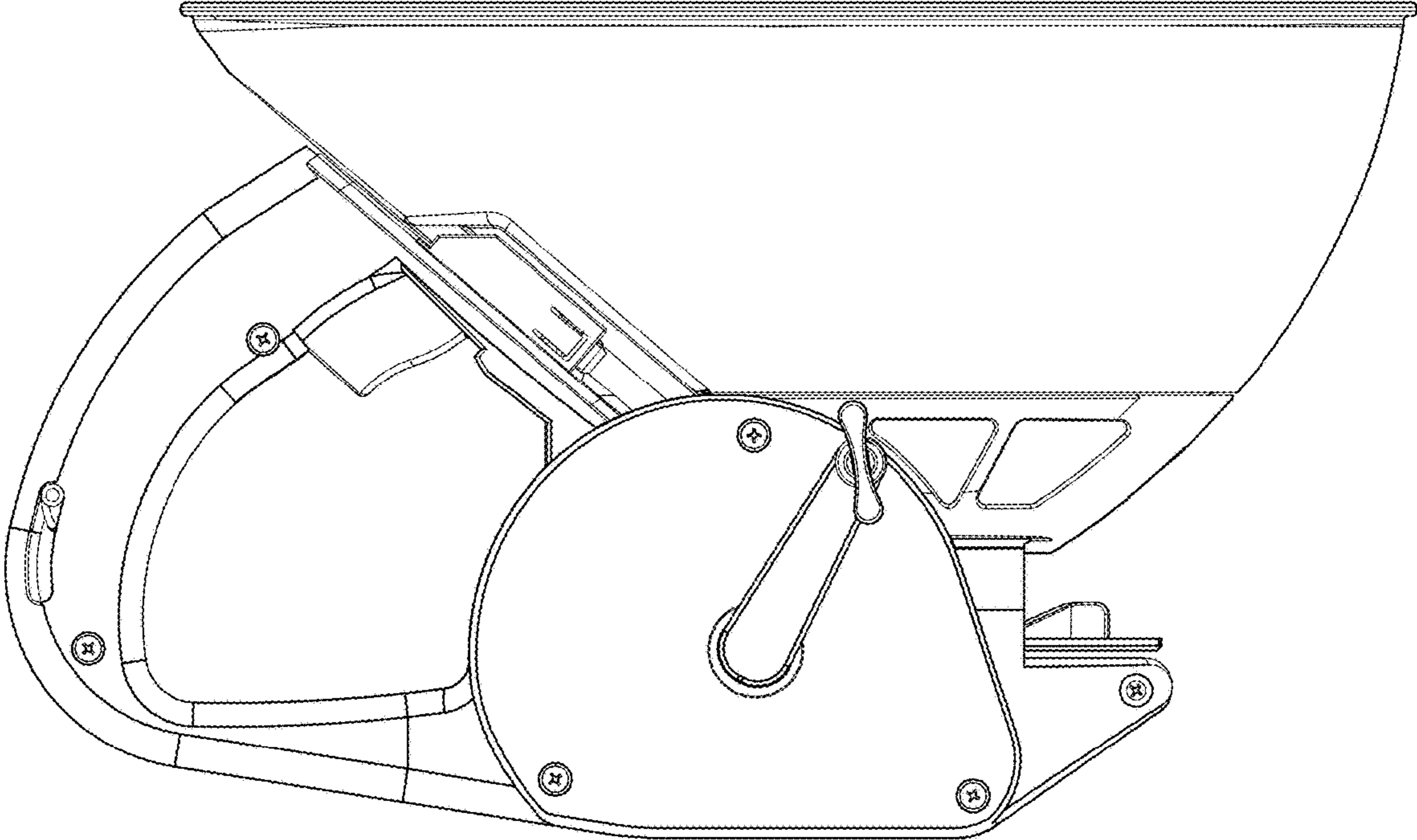


FIG.2

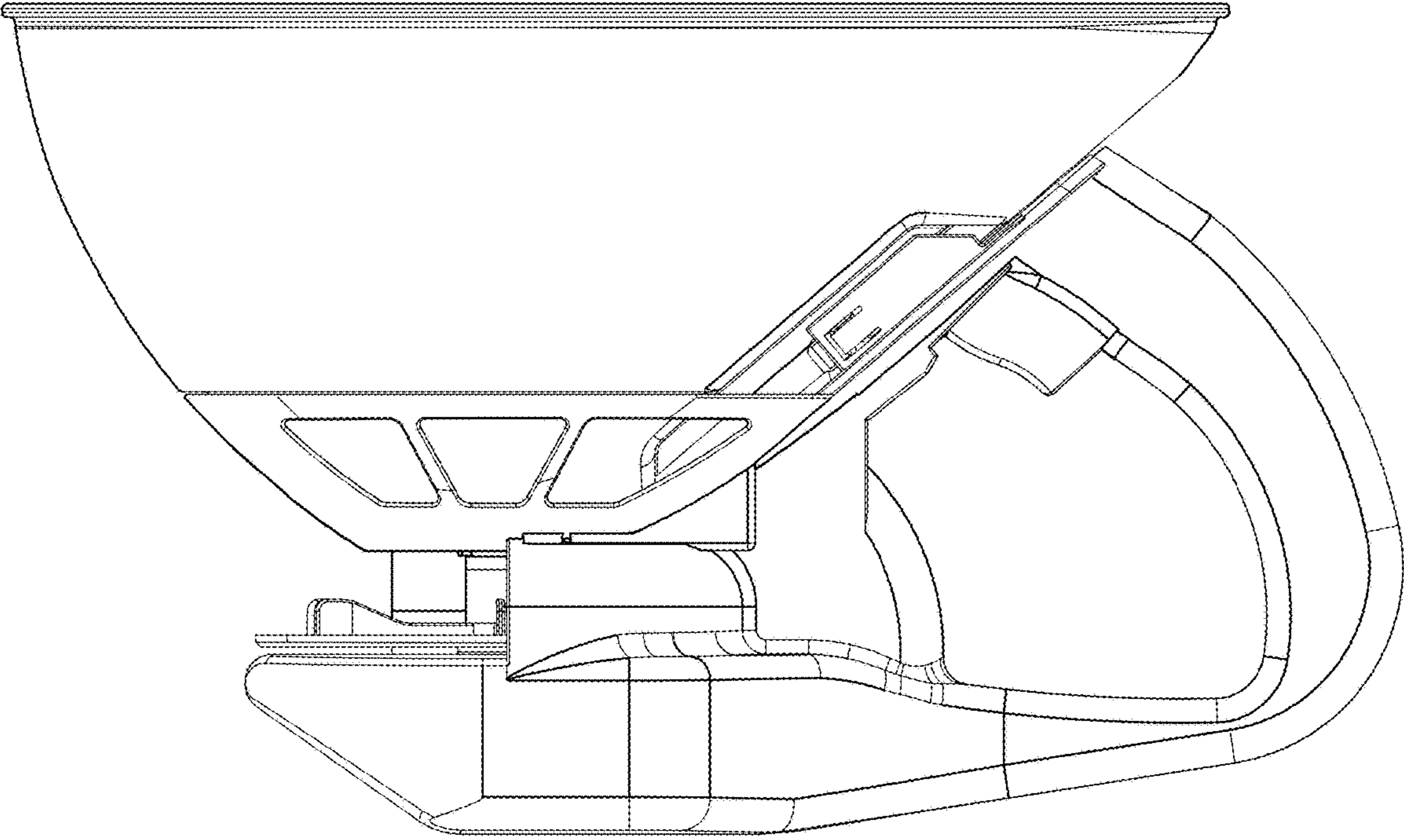


FIG.3

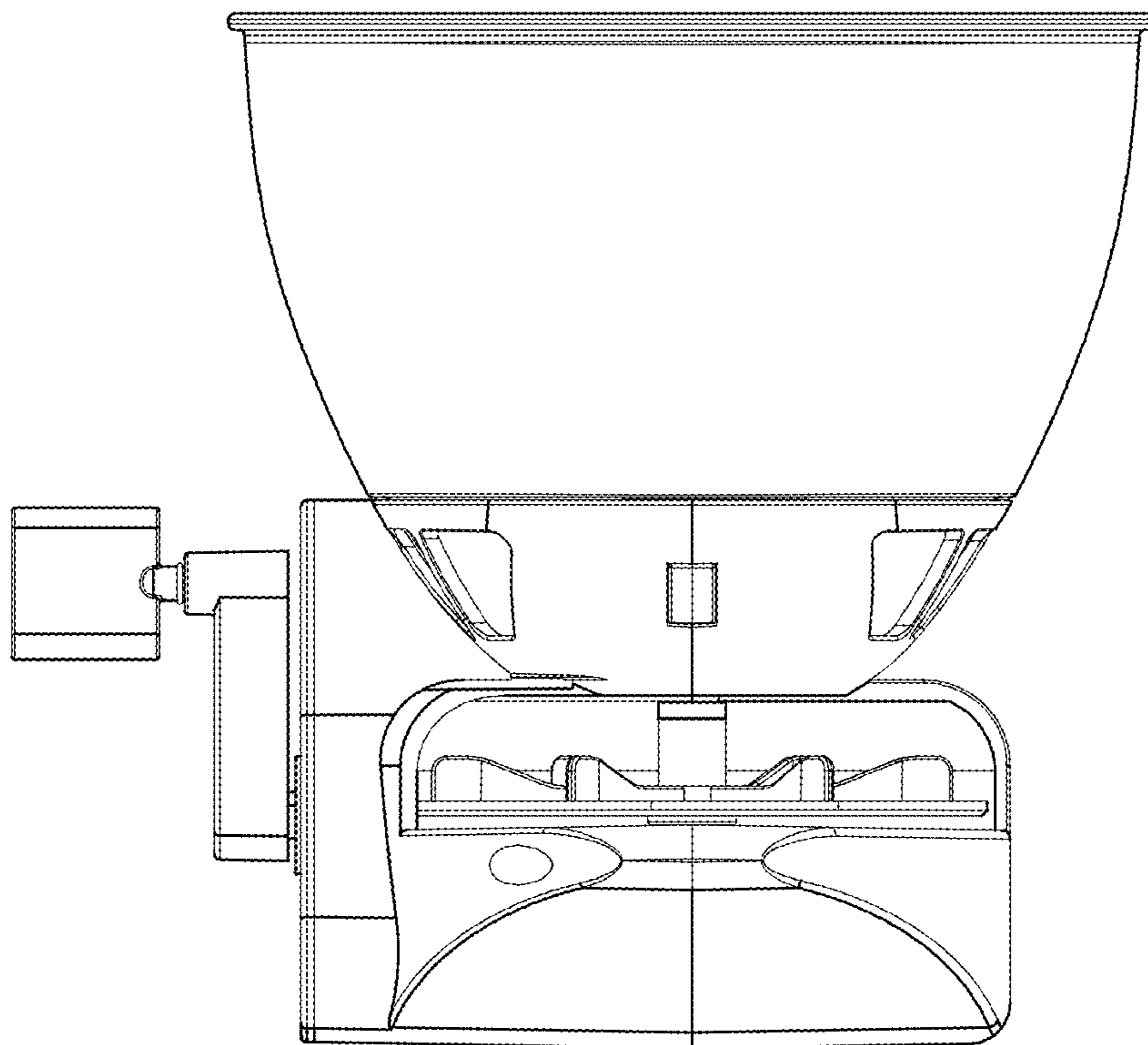


FIG.4

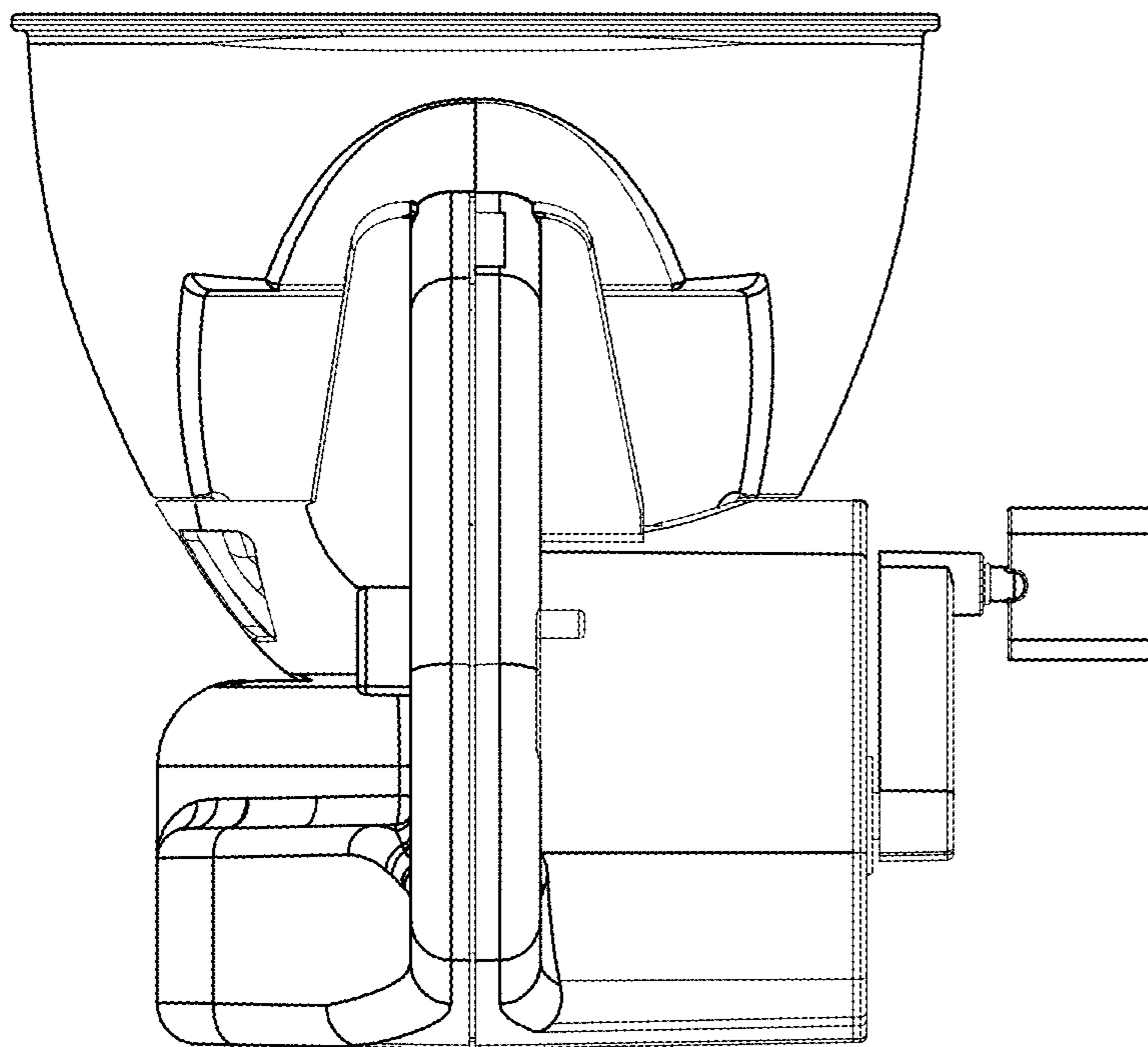


FIG.5

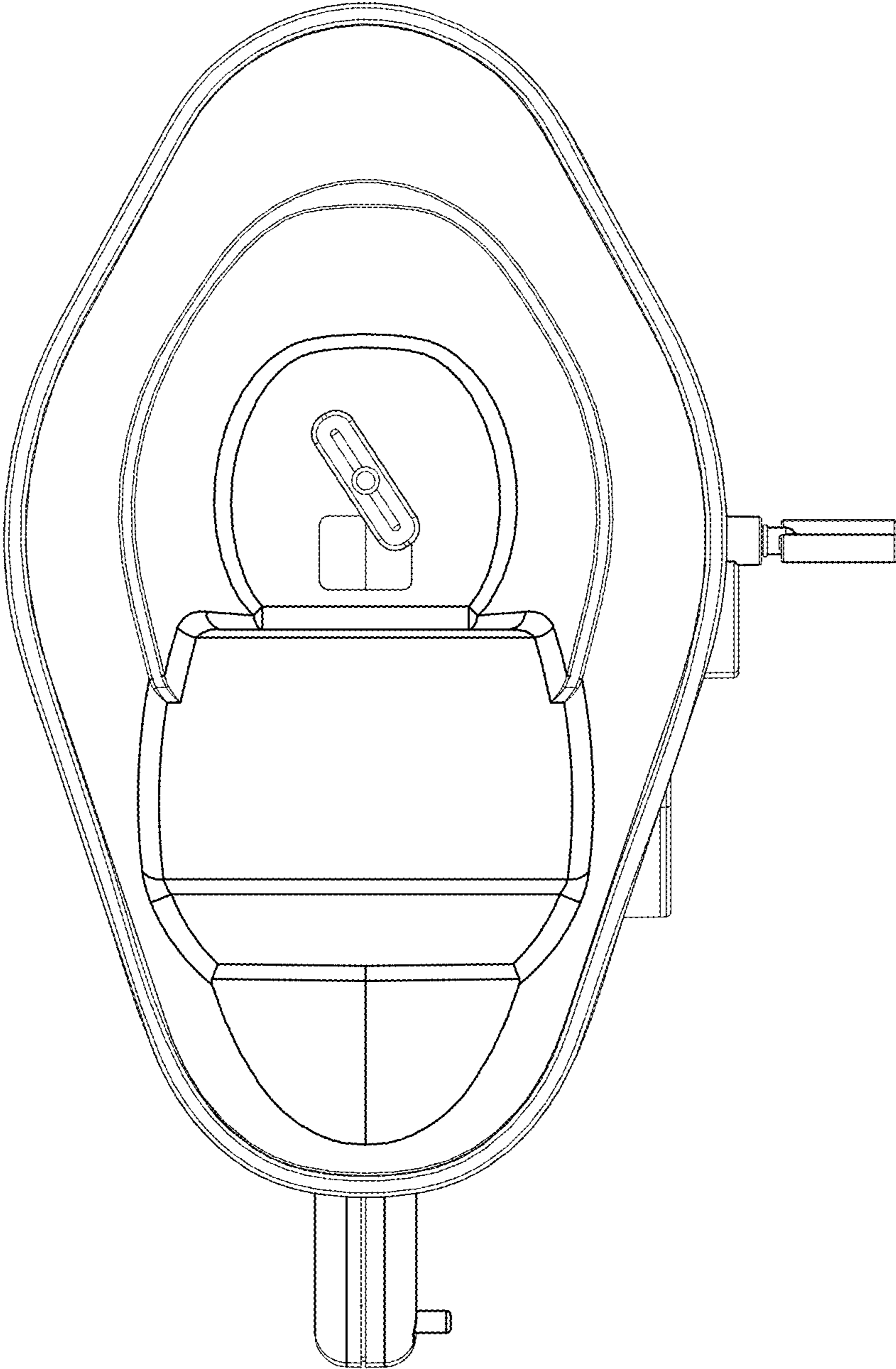


FIG.6

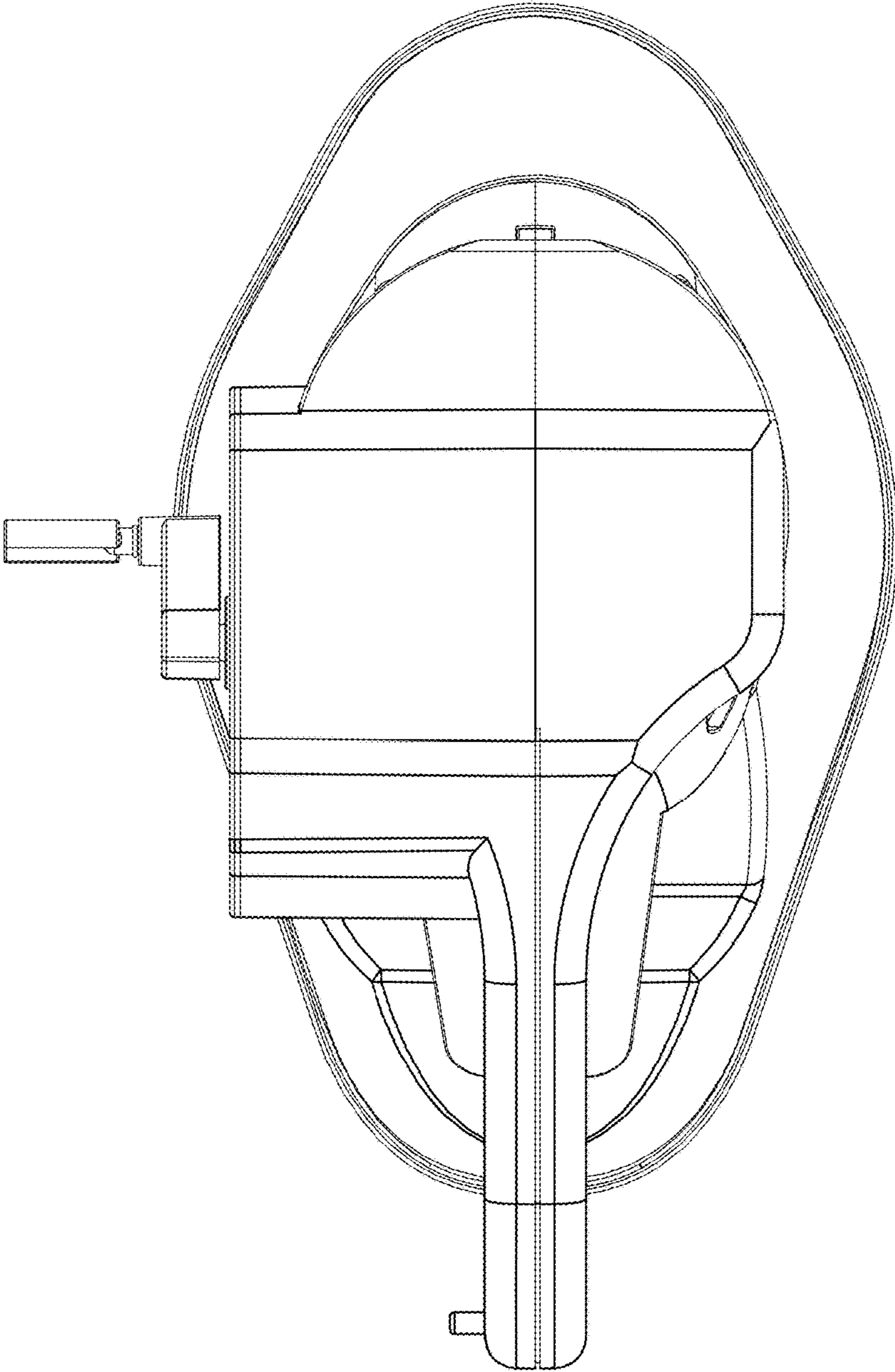


FIG. 7

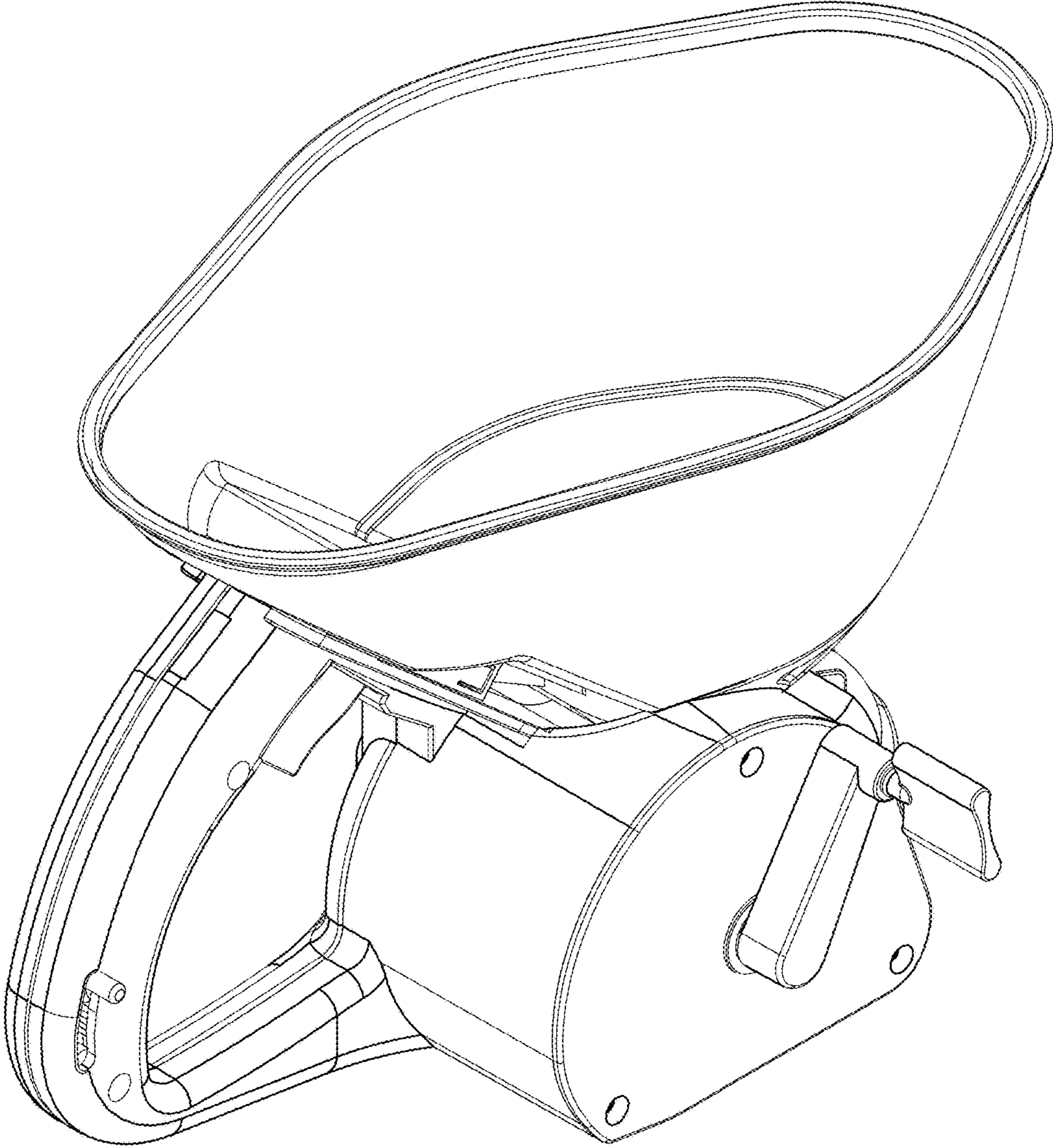


FIG.8

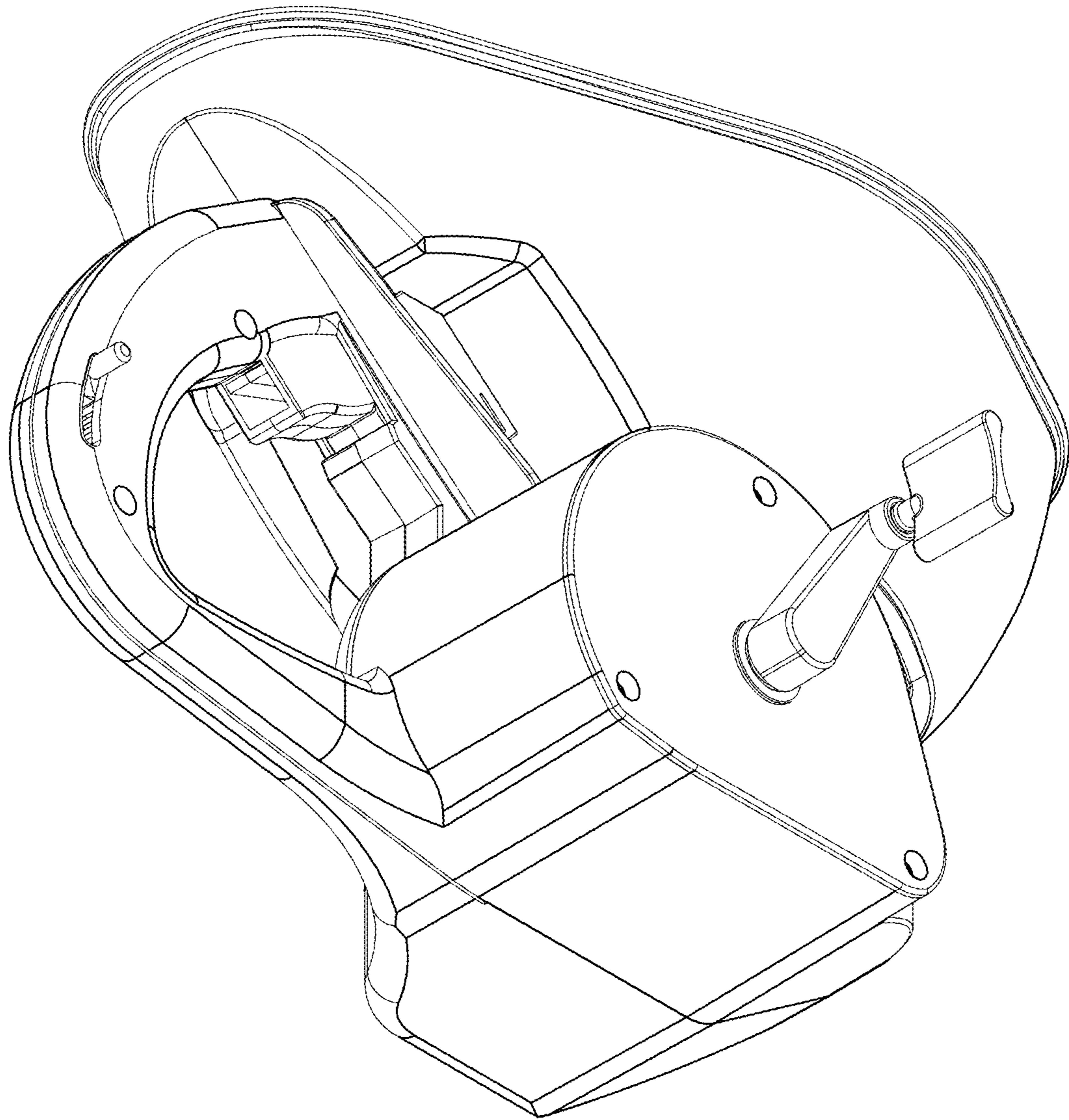


FIG.9