



US00D834900S

(12) **United States Design Patent**  
**Kasza**

(10) **Patent No.:** **US D834,900 S**

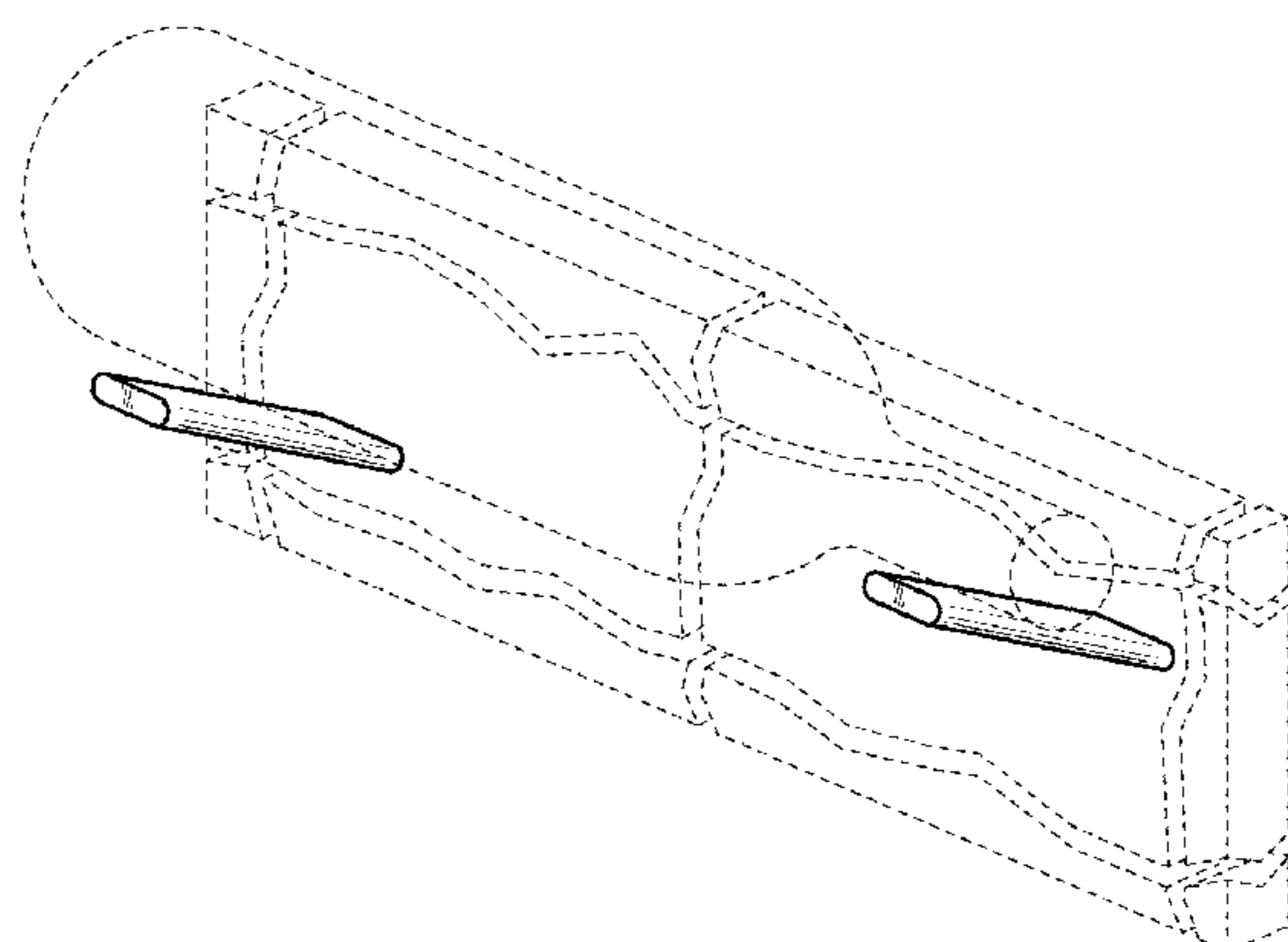
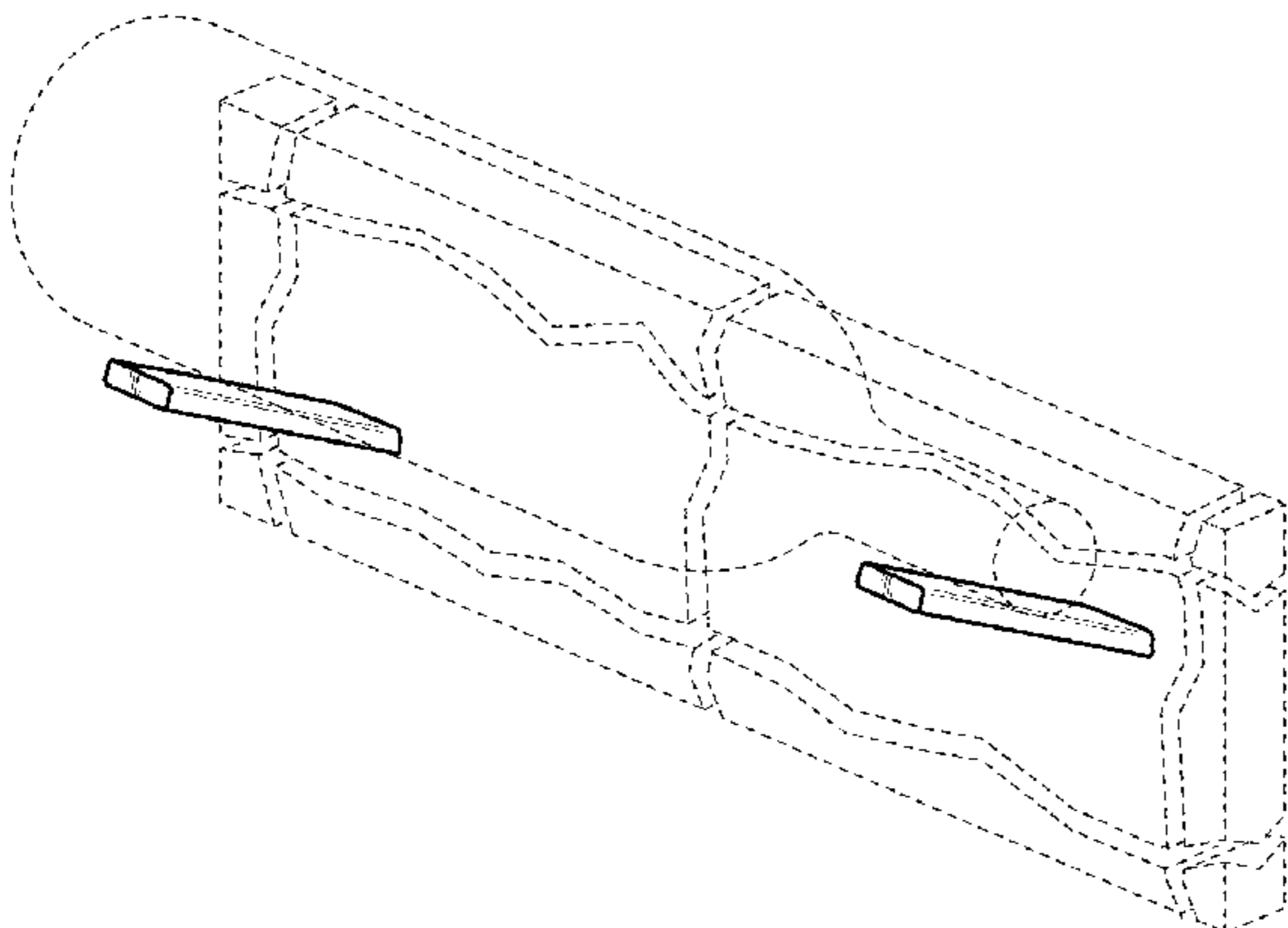
(45) **Date of Patent:** **\*\* Dec. 4, 2018**

- (54) **BOTTLE RACK**
- (71) Applicant: **STACT Wine Displays Inc., Vancouver (CA)**
- (72) Inventor: **Jamie Dennis Kasza, Vancouver (CA)**
- (73) Assignee: **STACT Wine Displays Inc., Vancouver (CA)**
- (\*\*) Term: **15 Years**
- (21) Appl. No.: **29/589,781**
- (22) Filed: **Jan. 4, 2017**
- (51) **LOC (11) Cl.** ..... **07-07**
- (52) **U.S. Cl.**  
USPC ..... **D7/701**
- (58) **Field of Classification Search**  
USPC ..... D7/600.1-600.4, 619.1-625, 701-708;  
D6/676.5, 677.5, 678.4, 680.3, 682.2,  
D6/682.5, 682.6; D9/737, 738, 741, 744,  
D9/745, 751, 755; D3/310, 313, 314  
CPC ..... A47B 73/00; A47B 73/006; A47F 5/0815;  
A47F 5/0823; A47F 5/0846; A47F 5/0876  
See application file for complete search history.

2,227,326 A	12/1940	Shaw	
2,317,070 A	4/1943	Le Tourneau	
2,366,676 A	1/1945	Rosenthal	
2,527,796 A	10/1950	Clute	
2,531,020 A	11/1950	Bard	
2,562,327 A	7/1951	Moore	
2,575,965 A	11/1951	Malm	
2,774,477 A	12/1956	Pollitz	
2,815,972 A	12/1957	Lagervall	
2,879,900 A	3/1959	Fox	
2,889,050 A	6/1959	Modrey	
D190,704 S	6/1961	Cobbs	
3,181,701 A	5/1965	Manny	
3,186,558 A	6/1965	Horstmann	
3,200,960 A	8/1965	Banse	
3,204,867 A	9/1965	Wahlbom	
3,244,390 A	4/1966	Kerr	
3,255,987 A	6/1966	Gatch	
3,272,468 A	9/1966	Wittrock	
3,279,620 A	10/1966	Nesbitt	
3,336,758 A	8/1967	Williams	
3,377,807 A	4/1968	Vincent	
3,422,721 A	1/1969	Yonkers	
3,469,869 A	9/1969	Ramakers	
3,519,292 A	7/1970	Krikorian	
3,541,798 A	11/1970	Schnabel, Jr.	
3,606,023 A	9/1971	Edmunds	
3,638,814 A	2/1972	Lowery	
3,653,697 A	4/1972	Ernst	
D226,051 S	1/1973	Fujinami	
3,740,692 A	6/1973	Filhaber	
3,747,965 A	7/1973	Wing	
3,753,354 A	8/1973	Bauer	
3,799,357 A	3/1974	Govang	
D232,284 S	8/1974	Shuck	
3,836,007 A	9/1974	Rosenwein	
D236,565 S *	9/1975	Fuller ..... D6/682.6	
3,924,750 A	12/1975	Dunchock	
3,938,667 A	2/1976	Buckland	
D243,804 S *	3/1977	Underwood ..... D6/674	
4,019,638 A	4/1977	Miller	
4,022,327 A	5/1977	Anderson	
4,063,836 A	12/1977	Militano	
4,082,389 A	4/1978	Stewart	
4,094,415 A	6/1978	Larson	
4,193,586 A	3/1980	Guenther	
D255,405 S *	6/1980	De Villers ..... D6/552	
4,264,230 A	4/1981	Vanderminden	
D260,463 S	9/1981	Imus	
D262,334 S	12/1981	Clarke, Jr. et al.	
4,319,730 A *	3/1982	Thalenfeld ..... A47F 5/0823 248/220.41	
4,340,317 A	7/1982	Heitmann et al.	

(56) **References Cited**  
**U.S. PATENT DOCUMENTS**

49,633 A	8/1865	King	
278,200 A	5/1883	Tait	
583,727 A	6/1897	Braun	
698,272 A	4/1902	Glover	
799,783 A	9/1905	Ette	
1,480,939 A	1/1924	Hand	
1,617,003 A	2/1927	Zeller	
1,735,710 A	11/1929	Abrahansen et al.	
1,797,296 A	3/1931	Ray	
1,835,726 A	12/1931	Thompson	
2,026,746 A	1/1936	Moore	
2,051,408 A *	8/1936	Karst ..... A47F 5/0876 211/106	
2,070,507 A	2/1937	Bishop	
2,100,421 A	11/1937	Wupper	
2,179,089 A	11/1939	Hauf	



# US D834,900 S

4,358,214 A	11/1982	Shull		6,808,147 B2	10/2004	Brannen et al.	
4,386,870 A	6/1983	Baroody		D509,108 S	9/2005	Rosenberg et al.	
4,420,087 A	12/1983	Johns		6,991,117 B2	1/2006	McCain	
4,431,332 A	2/1984	Dieges		7,040,835 B2	5/2006	Sun	
4,482,065 A	11/1984	Altemose		7,198,159 B2 *	4/2007	Fischer	A47F 5/0846
4,485,929 A *	12/1984	Betts, Sr.	B01L 9/00 211/59.1				211/189
4,514,107 A	4/1985	Moreno		D543,078 S	5/2007	Davalos	
D284,720 S	7/1986	Watson		7,284,671 B1	10/2007	Doscher	
4,601,621 A	7/1986	Permoda		7,284,734 B2	10/2007	Hamerski	
D289,716 S	5/1987	Boland		D566,490 S	4/2008	Frentzel	
4,695,183 A	9/1987	Greenberg		7,377,397 B2	5/2008	Lee et al.	
4,711,594 A	12/1987	Agee		7,392,912 B2	7/2008	Zandt	
D295,128 S	4/1988	Gentile		7,448,820 B1	11/2008	Faber	
4,805,783 A	2/1989	Mayer		7,517,425 B2	4/2009	Schroeder et al.	
4,836,574 A	6/1989	Ingalls		7,673,761 B2	3/2010	Lee et al.	
4,944,415 A	7/1990	Orbach		7,806,268 B2	10/2010	Angelocci	
4,981,388 A	1/1991	Becken et al.		7,850,017 B2	12/2010	McCain	
4,993,865 A	2/1991	Nagashima		7,861,986 B2	1/2011	Cline	
5,025,936 A	6/1991	Lamoureaux		7,878,340 B1	2/2011	Olsen	
5,037,390 A	8/1991	Raines		7,882,967 B2	2/2011	Hynes	
5,067,846 A	11/1991	Staniszewski		D634,992 S	3/2011	McNamee	
5,094,564 A	3/1992	Tedrick		D655,986 S	3/2012	Schneider	
5,116,007 A	5/1992	Von Gunton et al.		8,231,015 B2	7/2012	McCain	
5,163,567 A	11/1992	Betts, Sr.		8,272,506 B1	9/2012	Flannery	
5,169,009 A	12/1992	Bonnze		8,336,862 B2	12/2012	Priefert	
D333,559 S	3/1993	Rowley		D678,011 S	3/2013	Wylie et al.	
5,190,393 A	3/1993	Svensson		8,573,548 B2	11/2013	Kuhn et al.	
5,210,898 A	5/1993	Carey		8,607,994 B1	12/2013	Schneider	
5,215,413 A	6/1993	Nance		8,668,049 B2	3/2014	Leng	
5,242,239 A	9/1993	Hosokawa		8,684,194 B2	4/2014	McCain	
5,279,232 A	1/1994	Gollick		8,740,534 B2	6/2014	Shawe	
5,306,093 A	4/1994	Elbert		D708,494 S *	7/2014	Carpenter	D7/701
D348,182 S	6/1994	Young		8,807,896 B2	8/2014	McKinlay	
D348,806 S	7/1994	Young		D714,591 S	10/2014	Chen	
5,326,206 A	7/1994	Moore		D714,592 S	10/2014	Chen	
D367,592 S *	3/1996	Newport	D6/682.6	D715,103 S	10/2014	Chen	
5,499,724 A	3/1996	Hickman		D715,104 S	10/2014	Chen	
5,503,276 A	4/1996	Pierce		D715,105 S *	10/2014	Chen	D7/600.1
D383,607 S *	9/1997	Whitlock	D3/305	D731,866 S	6/2015	Paulick	
5,678,794 A	10/1997	Kump		D735,540 S *	8/2015	Carpenter	D7/704
5,711,436 A	1/1998	Moeller et al.		D739,189 S	9/2015	Carpenter	
5,727,698 A	3/1998	Lai		D739,190 S	9/2015	Kasza	
5,785,187 A	7/1998	Lipman et al.		9,149,115 B2	10/2015	Kasza et al.	
D396,800 S	8/1998	Robert		D747,155 S	1/2016	Goodman	
5,813,550 A *	9/1998	Sheehan	A47F 5/0807 211/87.01	D751,371 S *	3/2016	Pan	D8/372
				D751,871 S	3/2016	Polley et al.	
				9,289,062 B1	3/2016	Posa	
5,855,347 A	1/1999	Hollingsworth et al.		D756,723 S *	5/2016	Cash	D7/704
D406,217 S	3/1999	Campbell		9,364,085 B2	6/2016	McCain	
5,906,466 A	5/1999	Eandi		D766,051 S	9/2016	Lariviere	
5,918,750 A	7/1999	Jackson		D766,052 S	9/2016	Guindi	
5,944,203 A	8/1999	Vlah et al.		D776,956 S	1/2017	Ma	
6,116,435 A	9/2000	Young		9,565,933 B2	2/2017	Kasza	
6,119,875 A	9/2000	Smith		D785,418 S *	5/2017	Carpenter	D7/701
6,126,022 A	10/2000	Merkel		D789,164 S *	6/2017	Peterson	D7/704
6,161,707 A	12/2000	Lin		9,949,563 B2	4/2018	Kasza et al.	
6,173,845 B1	1/2001	Higgins et al.		10,004,330 B1	6/2018	Kasza	
6,199,705 B1	3/2001	Portner et al.		D821,831 S	7/2018	Kasza	
6,355,038 B1	3/2002	Pisharodi		2001/0013567 A1	8/2001	Valiulis	
6,361,129 B1	3/2002	Borgen		2003/0057336 A1	3/2003	Hochman	
D460,295 S	7/2002	Fissell et al.		2004/0069730 A1	4/2004	Woods	
D460,902 S	7/2002	Battle		2004/0104187 A1	6/2004	McCain	
6,443,316 B1 *	9/2002	Mao	A47F 5/0807 211/41.3	2004/0144740 A1	7/2004	Przygoda	
				2005/0072746 A1	4/2005	O'Brien	
6,464,691 B1	10/2002	Castaneda		2006/0275098 A1	12/2006	Kramer	
6,502,711 B1	1/2003	McRae		2007/0039907 A1	2/2007	Zandt	
6,561,474 B1 *	5/2003	Walter	A47F 5/0815 211/94.01	2007/0068887 A1	3/2007	Nawrocki	
				2007/0094985 A1	5/2007	Grafenauer	
6,575,312 B2	6/2003	Santa Cruz		2007/0158284 A1	7/2007	Felder	
6,589,277 B1	7/2003	Fabian		2008/0000861 A1	1/2008	Mullerleile	
6,644,483 B1	11/2003	Lai		2008/0054142 A1	3/2008	Deland	
6,675,978 B2	1/2004	Shea		2009/0071920 A1	3/2009	Bassetti	
6,695,154 B2 *	2/2004	Jacobs	A47F 7/0028 211/106	2009/0152219 A1	6/2009	Brida	
				2009/0152221 A1	6/2009	Hynes	
6,711,871 B2	3/2004	Beirise et al.		2009/0286611 A1	11/2009	Beach et al.	
6,729,481 B1	5/2004	O'Brien		2010/0006523 A1	1/2010	Hogeback	
6,763,956 B2	7/2004	Woods		2010/0051769 A1 *	3/2010	Tyson	A47F 5/0807 248/220.31
6,786,337 B2	9/2004	Klein					
D497,526 S	10/2004	Sanders et al.		2011/0132853 A1	6/2011	Drobot et al.	



2011/0309220	A1	12/2011	Collini	
2012/0082528	A1	4/2012	Wang	
2012/0085721	A1	4/2012	Michael J. et al.	
2013/0334155	A1*	12/2013	Kasza .....	A47B 73/00 211/75
2015/0060380	A1	3/2015	Maurer	
2016/0029790	A1	2/2016	Carpenter	
2016/0331131	A1	11/2016	Ghaeni	
2017/0105522	A1	4/2017	Kasza et al.	
2018/0146781	A1	5/2018	Kasza et al.	

FOREIGN PATENT DOCUMENTS

CA	1012095		6/1977
CA	2456638		8/2004
CA	2677021		2/2010
CA	2743948		5/2010
CN	201630069518	*	3/2016
DE	3015594	A1	12/1981
DE	20309209		8/2003
EP	1389437		2/2004
FR	0652290001		1/2007
GB	1202519		8/1970
GB	2189387	A	10/1987
GB	2242352	A	10/1991
NL	1021103	C1	1/2004
WO	WO-2014032158	-1	3/2014

OTHER PUBLICATIONS

Wall Mount Wine Bottle Rack. Online, published date unknown. Retrieved on Nov. 28, 2017 from URL: <https://www.indiamart.com/proddetail/wall-mount-wine-bottle-rack-14778959562.html>.\*

Lookbook. Online, published date unknown. Retrieved on Nov. 28, 2017 from URL: <https://www.getstact.com/pages/wine-rack-lookbook>.\*

Wayfair. Online, published date unknown. Retrieved on Nov. 28, 2017 from URL: <http://www.dustymars.net/cantilever-staircase/>.\*

Design U.S. Appl. No. 29/521,526, filed Mar. 24, 2015.

Design U.S. Appl. No. 29/609,604, filed Jul. 3, 2017.

U.S. Appl. No. 15/409,263, filed Jan. 18, 2017.

Design U.S. Appl. No. 29/625,830, filed Nov. 13, 2017.

Extended European Search Report for European Patent Application No. 13172148.2 (dated Aug. 19, 2013).

Vin De Garde, "Beta Bloc—Single Bottle," 3D Warehouse SketchUp, <http://sketchup.google.com/3dwarehouse/details?mid=950db41b6d3bd0edc72a6080af74e2bc>, 1 page (Nov. 30, 2012).

Billy Carpenter, Twitter Post, <https://twitter.com/moderncellars/status/252140684579061760>, 1 page (Sep. 29, 2012).

Billy Carpenter, Twitter Post, <https://twitter.com/moderncellars/status/254266152501526529>, 1 page (Oct. 5, 2012).

Vin De Garde, 2013 Catalog, "Vin De Garde 2013, Modern Wine Cellars," pp. 1-29 (2013).

Amazon.fr, Product Description, Blomus Pilare /68486 Casier a vin Pour 12 Bouteilles [Blomus Pilare /68486 Wine Rack for 12 Bottles], [http://www.amazon.fr/blomus-pilare-68486-Casier-bouteilles/dp/B000BKBJWC/ref=sr\\_1\\_1?ie=UTF8&qid=1421968472&sr=8-1&keywords=Blomus+Pilare](http://www.amazon.fr/blomus-pilare-68486-Casier-bouteilles/dp/B000BKBJWC/ref=sr_1_1?ie=UTF8&qid=1421968472&sr=8-1&keywords=Blomus+Pilare), date first available at Amazon.fr Aug. 8, 2007 (accessed Jan. 22, 2015).

Hayneedle.com, Product Description, Blomus Pilare Wine Rack—Choose 9 or 12 Bottle Rack, review 1 dated Nov. 9, 2006, <http://www.hayneedle.com/product/pilarewinerack.cfm> (accessed Jan. 10, 2015).

Amazon.com, Product Description, Blomus Wine Bottle Storage, Holds 12 Bottles, review by Brian Go dated Aug. 2, 2011, <http://www.amazon.com/Blomus-Bottle-Storage-Holds-Bottles/dp/B000BKBJWC> (accessed Oct. 1, 2015).

Walmart.com, Product Description, Blomus Pilare Wine Rack—Choose 9 or 12 Bottle Rack, review by Carol-Simplify dated Mar. 26, 2008, <http://www.walmart.com/ip/blomus-Pilare-Wine-Rack-Choose-9-or-12-Bottle-Rack/17361365>, (accessed Oct. 1, 2015).

Amazon.de, Product Description, Blomus 68486 Pilare Weinregal, für 12 Flaschen [Blomus 68486 Pilare Wine Rack for 12 Bottles],

<http://www.amazon.de/Blomus-68486-PILARE-Weinregal-Flaschen/dp/B000BKBJWC>, date first available at Amazon.de Sep. 22, 2005 (accessed Jan. 22, 2015).

Stact com, "Turn Your Wine Into Art," <http://www.getstact.com/> (archived Jul. 29, 2012).

Rosendahl, Spec Sheet, Wine Rack, [https://web.archive.org/web/20050304022515/http://www.unicahome.com/products/pdf/9223/rosendahl\\_wine\\_rack.pdf](https://web.archive.org/web/20050304022515/http://www.unicahome.com/products/pdf/9223/rosendahl_wine_rack.pdf) (Feb. 8, 2005).

International Search Report for PCT/CA2013/000259, published as WO 2014/032158 (dated Dec. 23, 2013).

Vin De Garde Cellar Systems, Modern Wine Cellars Catalog 2011 (2011).

Genuwine Cellars, Label Link (retrieved from <http://www.genuwinecellars.com/metal-series/label-link/> on Jan. 25, 2013).

Genuwine Cellars, PEG System (retrieved from <http://www.genuwinecellars.com/metal-series/peg-system/> on Jan. 25, 2013).

Genuwine Cellars, Metal Series (retrieved from <http://www.genuwinecellars.com/metal-series/> on Feb. 21, 2013).

Houzz Inc., Bachus Bottle Rack—modern—wine racks—by Made in Design, 2013 (retrieved from <http://www.houzz.com/photos/151858/Bachus-Bottle-Rack-modern-wine-racks>—on Jul. 18, 2013).

Houzz Inc., Live-Edge Solid Walnut 6-Bottle Wine Rack—eclectic—wine racks by Etsy, 2013 (retrieved from <http://www.houzz.com/photos/2739502/Live-Edge-Solid-Walnut-6-Bottle-Wine-Rack-eclectic-wine-racks>—on Jul. 18, 2013).

Houzz Inc., Wood & Metal Industrial Wine Rack—contemporary—wine racks by World Market, 2013 (retrieved from <http://www.houzz.com/photos/1548374/Wood---Metal-Industrial-Wine-Rack-contemporary-wine-racks>—on Jul. 18, 2013).

Stact Wine Displays Inc., STACT revolutionary wine rack, 2013 (retrieved from <http://www.getstact.com/collections/wine-rack-revolutionized> on Jul. 18, 2013).

Kickstarter.com, "STACT Modular Wine Wall: Wine Storage Beautified," launched Jul. 26, 2012, <http://www.kickstarter.com/projects/stact/stact-modular-wine-wall-wine-storage-beautified> (archived Jul. 29, 2012).

Marketwired.com, "Wine Storage Beautified: Canada's STACT Modular Wine Wall System Launches Globally through Kickstarter," <http://www.marketwired.com/press-release/wine-storage-beautified-canadas-stact-modular-wine-wall-system-launches-globally-through-1684078.htm> (Jul. 26, 2012).

Gillian Shaw, "Vancouver Wine Connoisseur Launches Successful Kickstarter Project to Fund the Perfect Wine Rack," Vancouver Sun, Digital Life, <http://blogs.vancouversun.com/2012/07/28/vancouver-wine-connoisseur-launches-successful-kickstarter-project-to-fund-the-perfect-wine-rack/> (Jul. 28, 2012).

Kim Hart Macneill, "A New Way to Kickstart a Business," Profitguide.com, <http://www.profitguide.com/startup/best-practices/mass-appeals-40210> (Sep. 5, 2012).

Uncrate.com, "Stact Modular Wine Wall," <http://uncrate.com/stuff/stact-modular-wine-wall/> (archived Jul. 30, 2012).

billwang.net, Design Online, [Billwang Industrial Design Forum > Industrial Design Zone > Design Resources > Design Resources Digest > Nordic windows, some household items map , p. 25 Update (Jul. 5)], Posted on Dec. 11, 2006, 17:04, <http://bbs.billwang.net/post5298125-187/> (accessed Jan. 22, 2015).

Aronson, Steven M. L. et al., "An Ocean of Art William I. Koch's Stellar Collection in Palm Beach," *Architectural Digest* (Mar. 2002).

Sothebys.com, "First Look: Wines from the Cellar of William I. Koch," Video Screenshot at 0:37, <http://www.sothebys.com/content/sothebys/en/news-video/videos/2016/03/wines-from-the-cellar-of-william-i-koch.html>.

Youtube.com, "The Wine Cellar of William I. Koch: The Collector," Video Screenshot at 0:24 and 0:48, <https://www.youtube.com/watch?v=GX88VKyJ7h0>.

Isaac, Ryan "Oil, Water and Wine Bill Koch mixes it up, for profit and pleasure," *Wine Spectator* (Nov. 2006).

Worldmarket.com, Product Description, 30-Bottle Verona Wine Rack, <http://www.worldmarket.com/product/30-bottle-verona-wine-rack.do?&from=fn> (earliest date online Jul. 27, 2015; accessed Feb. 28, 2017).



Dullred.com, "Nice Rectangle Shape Kitchen Wine Racks Come With Brown Wooden Modular Shape Wine Rack And Brown Wooden Wire Glass Cabinet and Double Door Cabinet," <http://www.dullred.com/wonderful-design-ideas-of-kitchen-wine-racks/nice-rectangle-shape-kitchen-wine-racks-brown-wooden-modular-shape-wine-rack-brown-wooden-wine-glass-cabinet-double-door-cabinet/> (earliest date online Nov. 14, 2015; accessed Feb. 28, 2017).

Core77.com, "Designing for Wine Storage," <http://www.core77.com/posts/26960/Designing-for-Wine-Storage> (earliest date online May 29, 2014; accessed Feb. 28, 2017).

Vigilantinc.com, "Vintage View Metal Wine Racks," <https://vigilantinc.com/wine-racks/metal-wine-racks.php> (earliest date online 2015; accessed Feb. 28, 2017).

U.S. Appl. No. 29/637,470, filed Feb. 19, 2018, First Named Inventor: Jamie Dennis Kasza.

U.S. Appl. No. 15/883,852, filed Jan. 30, 2018, First Named Inventor: Jamie Dennis Kasza.

U.S. Appl. No. 15/980,834, filed May 16, 2018, First Named Inventor: Jamie Dennis Kasza.

U.S. Appl. No. 29/647,826, filed May 16, 2018, First Named Inventor: Jamie Dennis Kasza.

\* cited by examiner

*Primary Examiner* — Karen S Acker

*Assistant Examiner* — Omeed Agilee

(74) *Attorney, Agent, or Firm* — LeClairRyan PLLC

(57) **CLAIM**

The ornamental design for a bottle rack, as shown and described.

**DESCRIPTION**

FIG. 1 is a front, top, and right perspective view of the first embodiment of a bottle rack, showing my new design;

FIG. 2 is a front elevation view of the bottle rack of FIG. 1;

FIG. 3 is a top plan view of the bottle rack of FIG. 1;

FIG. 4 is a bottom plan view of the bottle rack of FIG. 1;

FIG. 5 is a left side elevation view of the bottle rack of FIG. 1;

FIG. 6 is a right side elevation view of the bottle rack of FIG. 1;

FIG. 7 is a front, top, and right perspective view of the second embodiment of a bottle rack;

FIG. 8 is a front elevation view of the bottle rack of FIG. 7;

FIG. 9 is a top plan view of the bottle rack of FIG. 7;

FIG. 10 is a bottom plan view of the bottle rack of FIG. 7;

FIG. 11 is a left side elevation view of the bottle rack of FIG. 7;

FIG. 12 is a right side elevation view of the bottle rack of FIG. 7;

FIG. 13 is a front, top, and right perspective view of the third embodiment of a bottle rack;

FIG. 14 is a front elevation view of the bottle rack of FIG. 13;

FIG. 15 is a top plan view of the bottle rack of FIG. 13;

FIG. 16 is a bottom plan view of the bottle rack of FIG. 13;

FIG. 17 is a left side elevation view of the bottle rack of FIG. 13;

FIG. 18 is a right side elevation view of the bottle rack of FIG. 13;

FIG. 19 is a front, top, and right perspective view of the fourth embodiment of a bottle rack;

FIG. 20 is a front elevation view of the bottle rack of FIG. 19;

FIG. 21 is a top plan view of the bottle rack of FIG. 19;

FIG. 22 is a bottom plan view of the bottle rack of FIG. 19;

FIG. 23 is a left side elevation view of the bottle rack of FIG. 19;

FIG. 24 is a right side elevation view of the bottle rack of FIG. 19;

FIG. 25 is a front, top, and right perspective view of the fifth embodiment of a bottle rack;

FIG. 26 is a front elevation view of the bottle rack of FIG. 25;

FIG. 27 is a top plan view of the bottle rack of FIG. 25;

FIG. 28 is a bottom plan view of the bottle rack of FIG. 25;

FIG. 29 is a left side elevation view of the bottle rack of FIG. 25;

FIG. 30 is a right side elevation view of the bottle rack of FIG. 25;

FIG. 31 is a front, top, and right perspective view of the sixth embodiment of a bottle rack;

FIG. 32 is a front elevation view of the bottle rack of FIG. 31;

FIG. 33 is a top plan view of the bottle rack of FIG. 31;

FIG. 34 is a bottom plan view of the bottle rack of FIG. 31;

FIG. 35 is a left side elevation view of the bottle rack of FIG. 31; and,

FIG. 36 is a right side elevation view of the bottle rack of FIG. 31.

The dashed lines in the figures represent portions of the bottle rack that do not form part of the claimed design. Dashed lines in FIGS. 1, 7, 13, 19, 25, and 31 also represent environmental subject matter, specifically one or two bottles, and form no part of the claimed design.

**1 Claim, 26 Drawing Sheets**

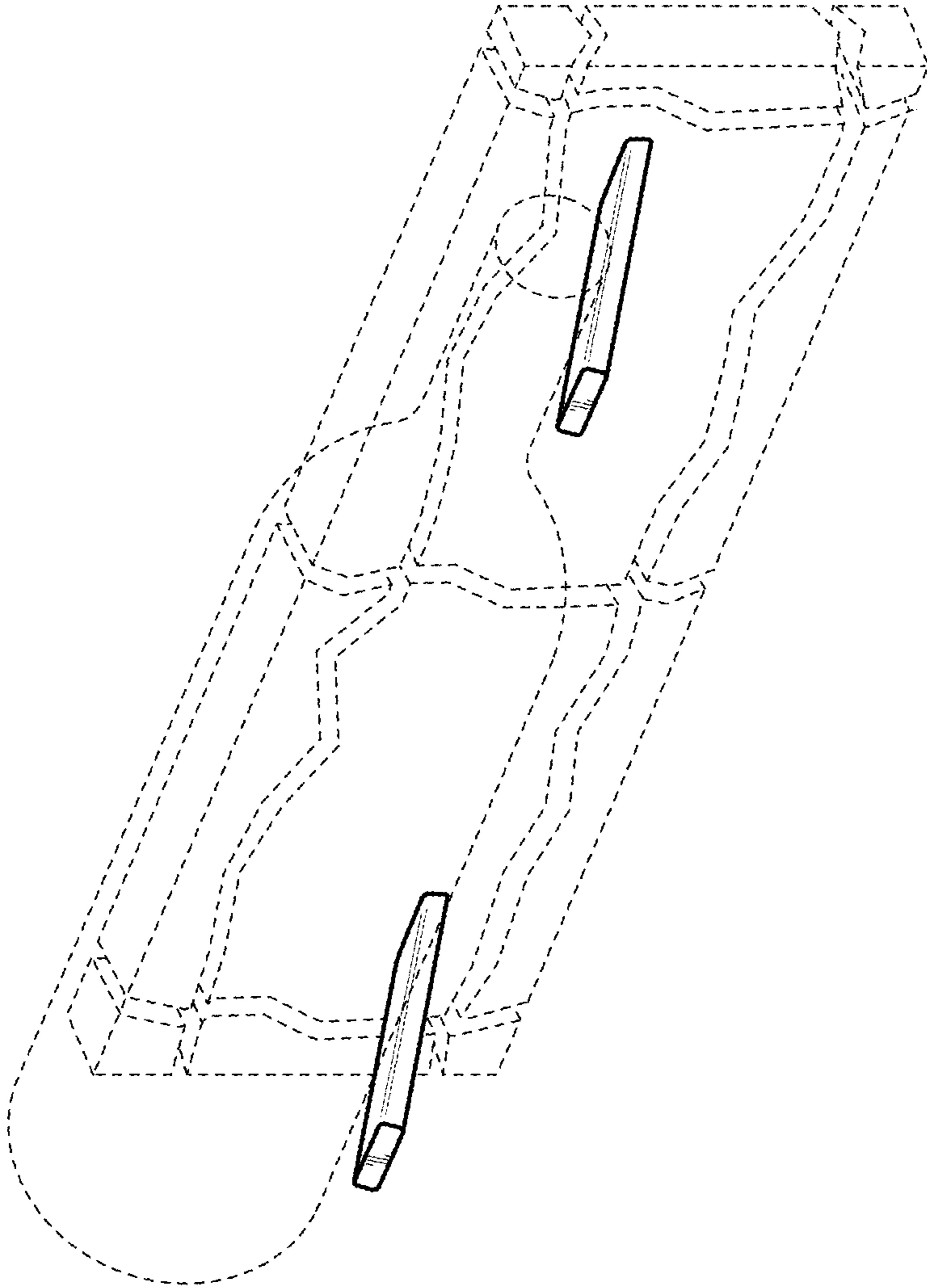
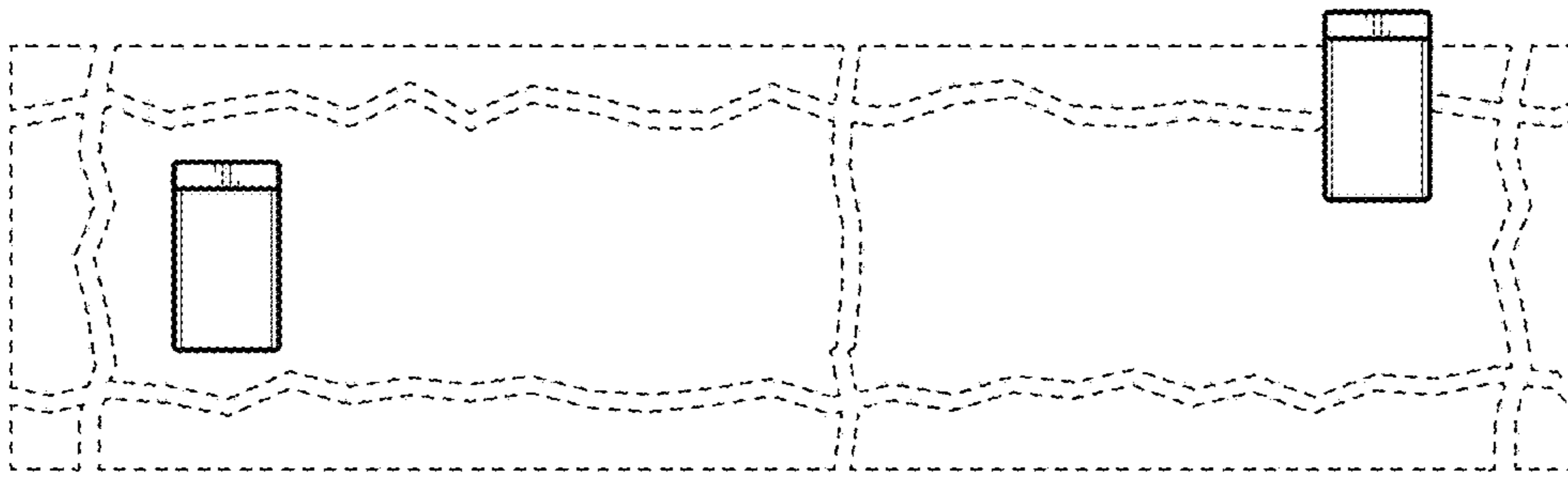
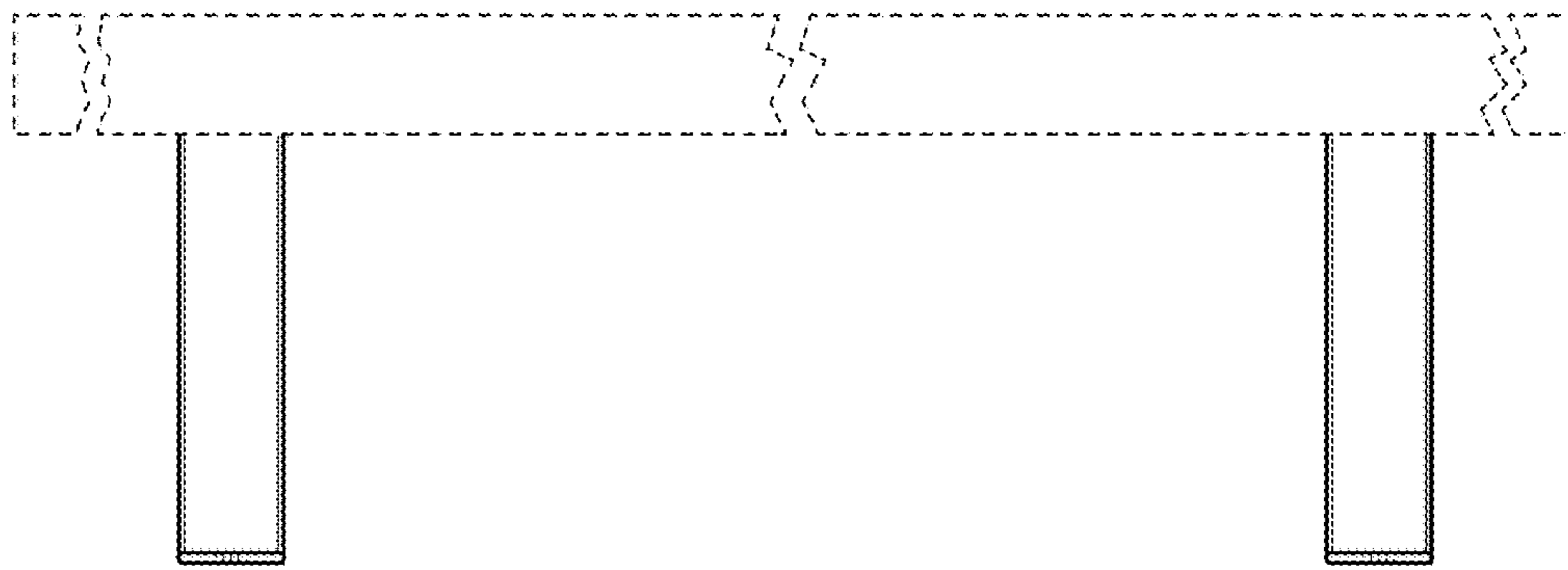


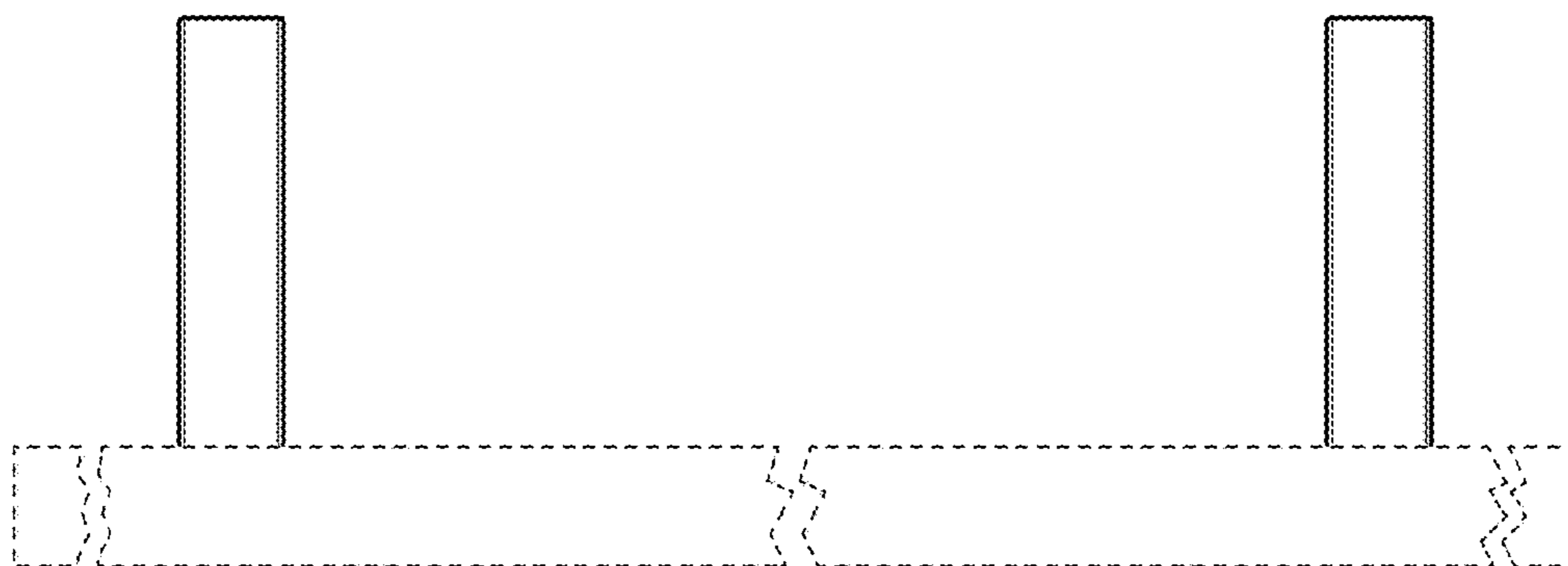
FIG. 1



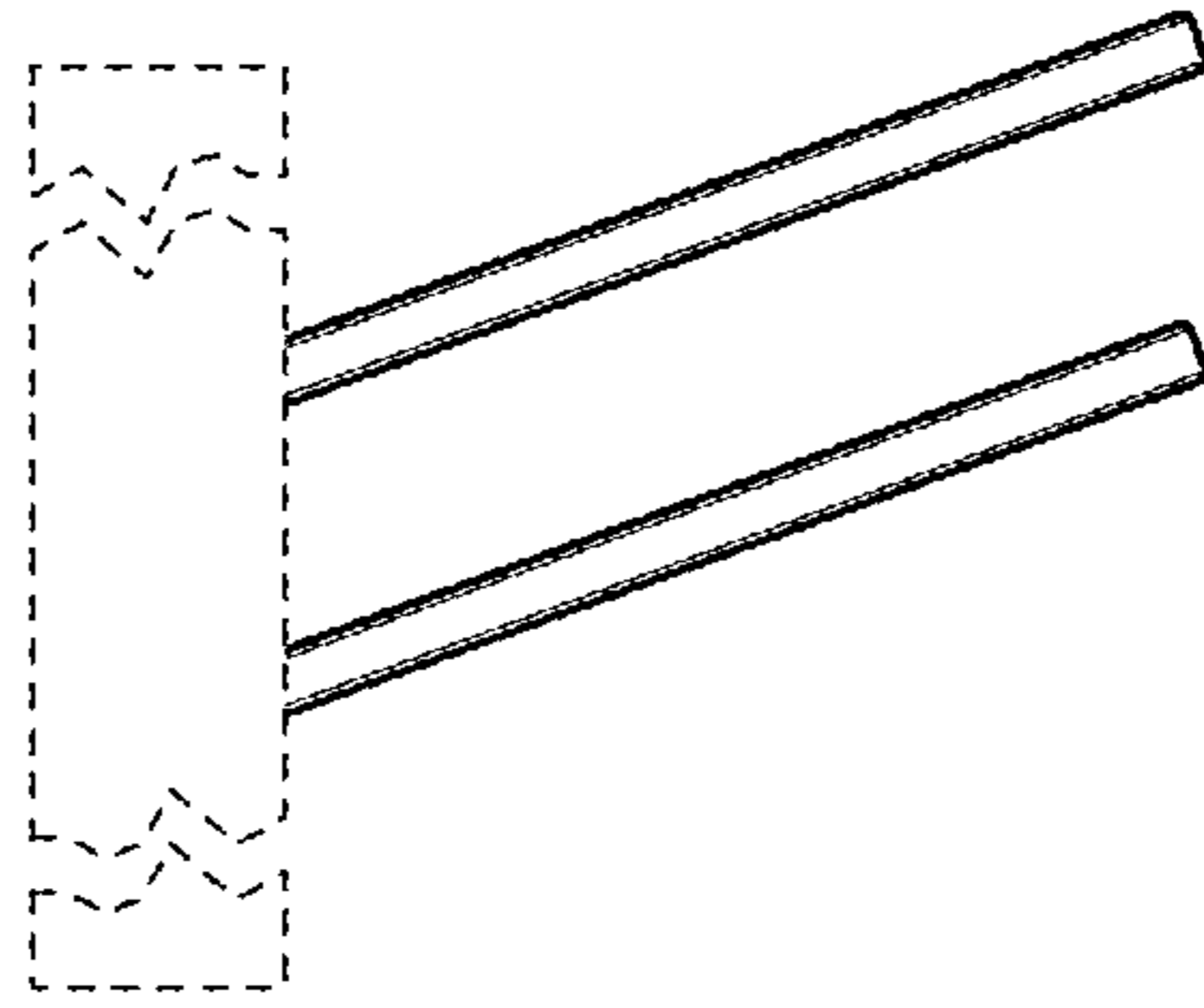
**FIG. 2**



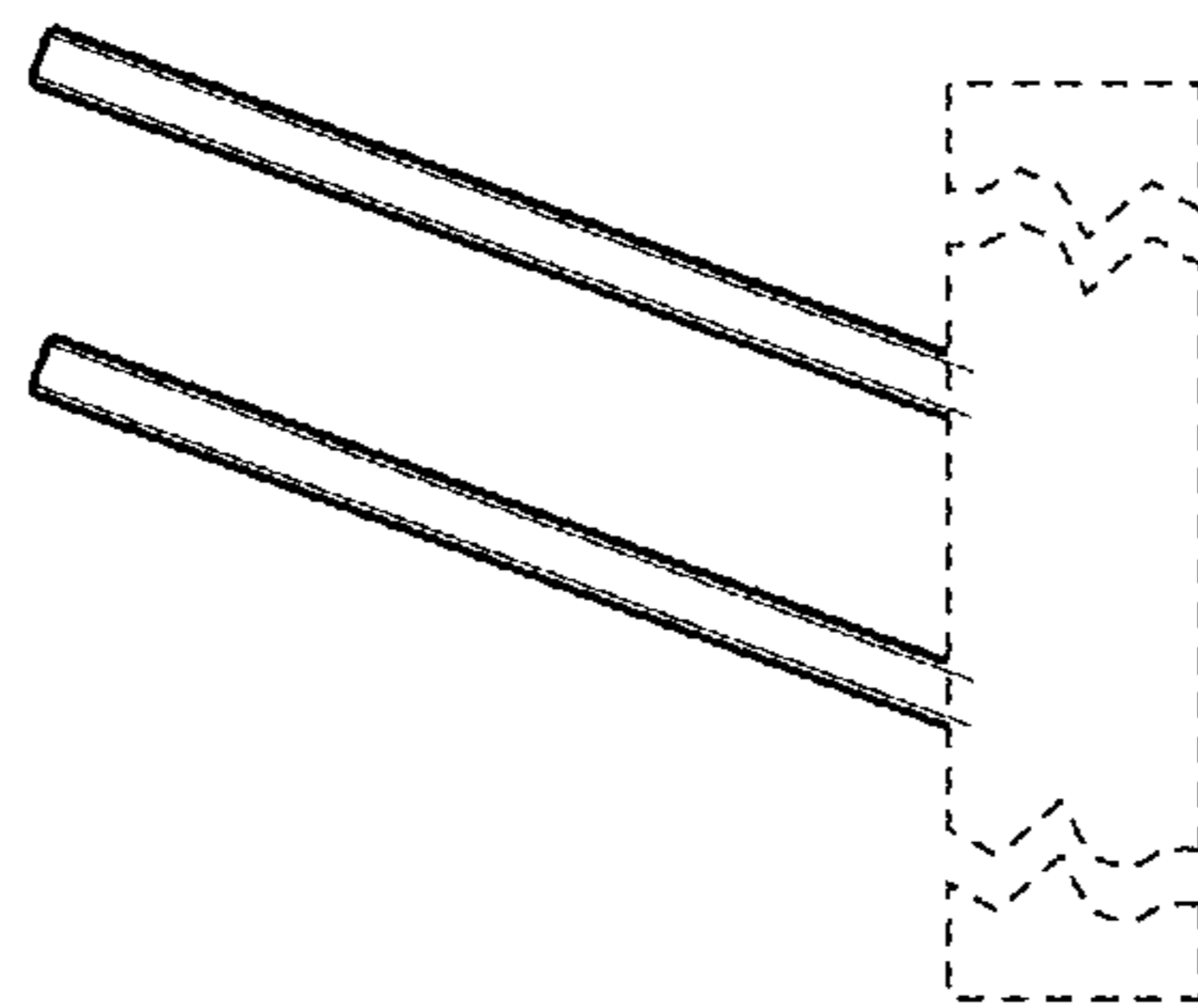
**FIG. 3**



**FIG. 4**



**FIG. 5**



**FIG. 6**



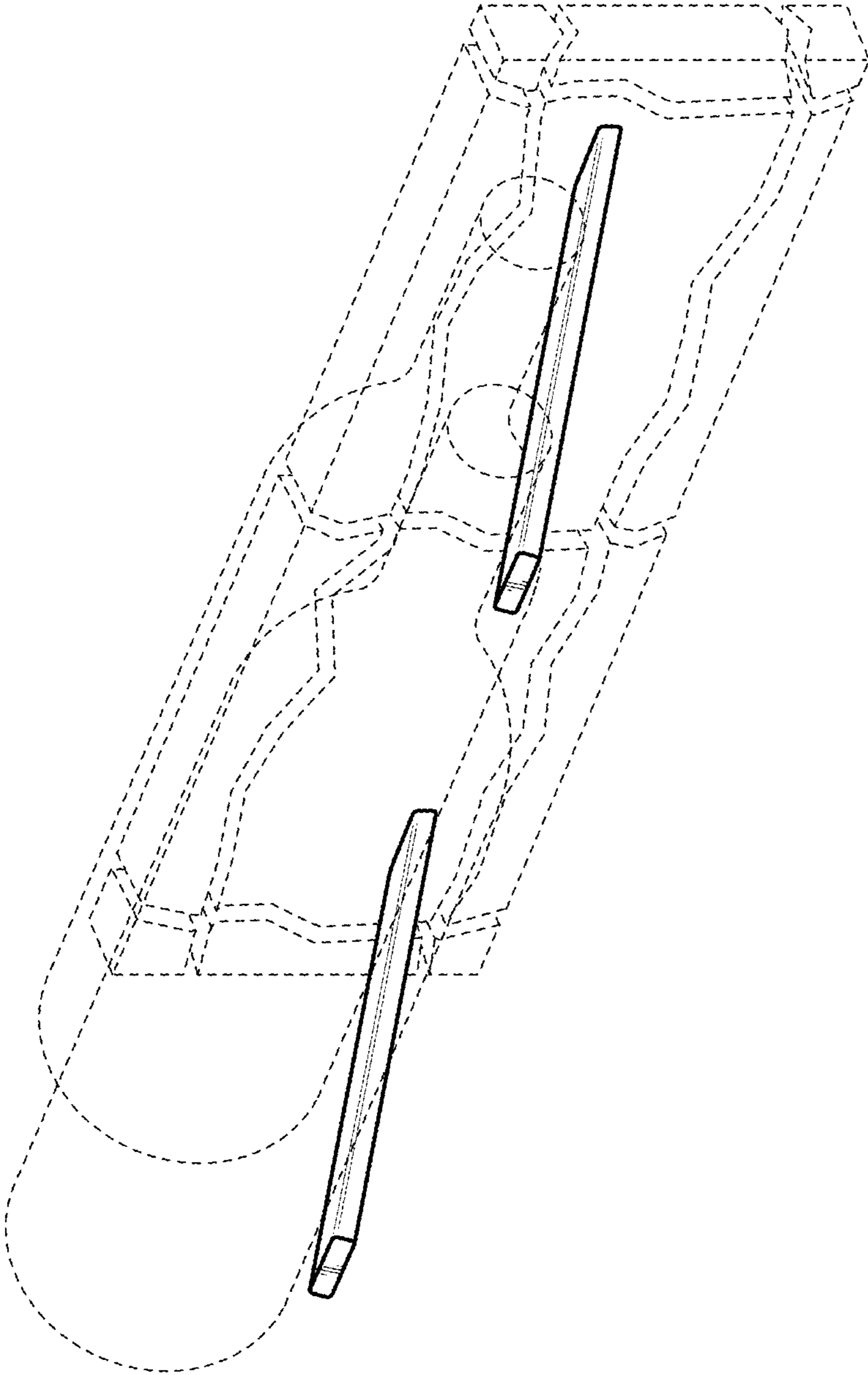


FIG. 7

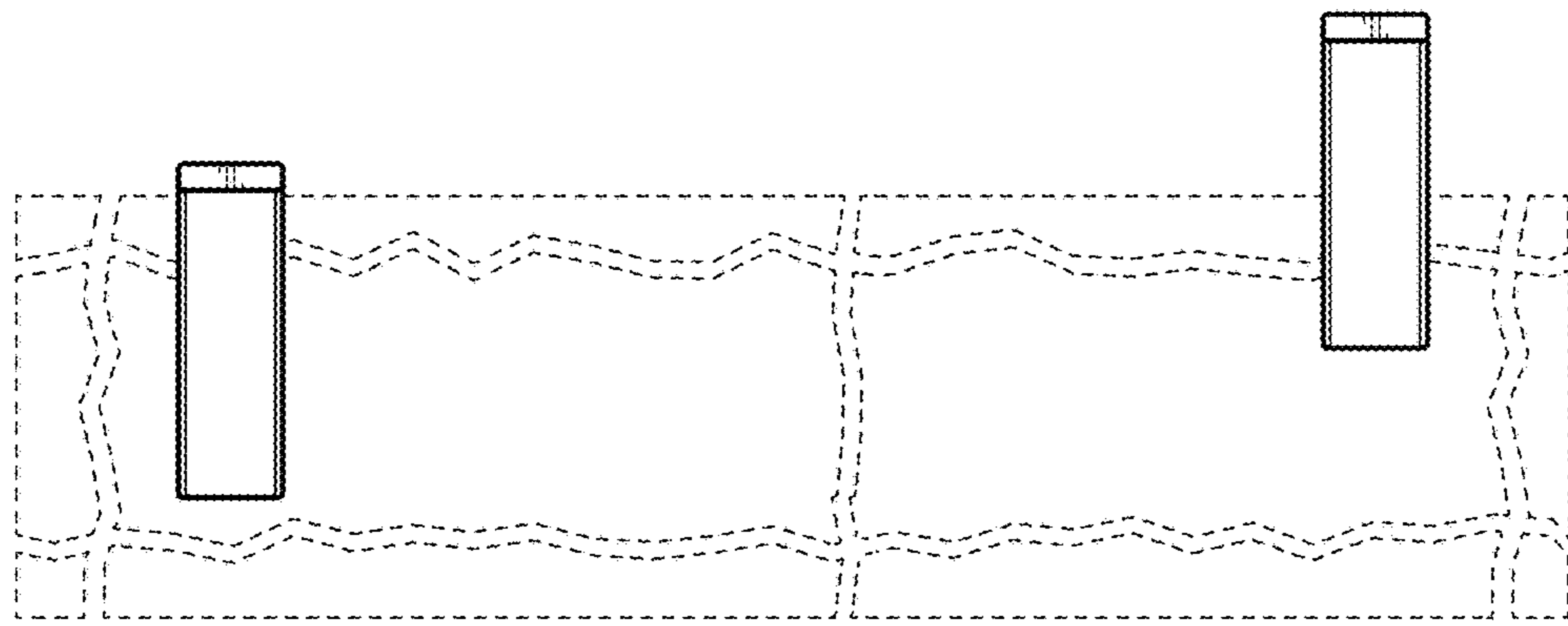
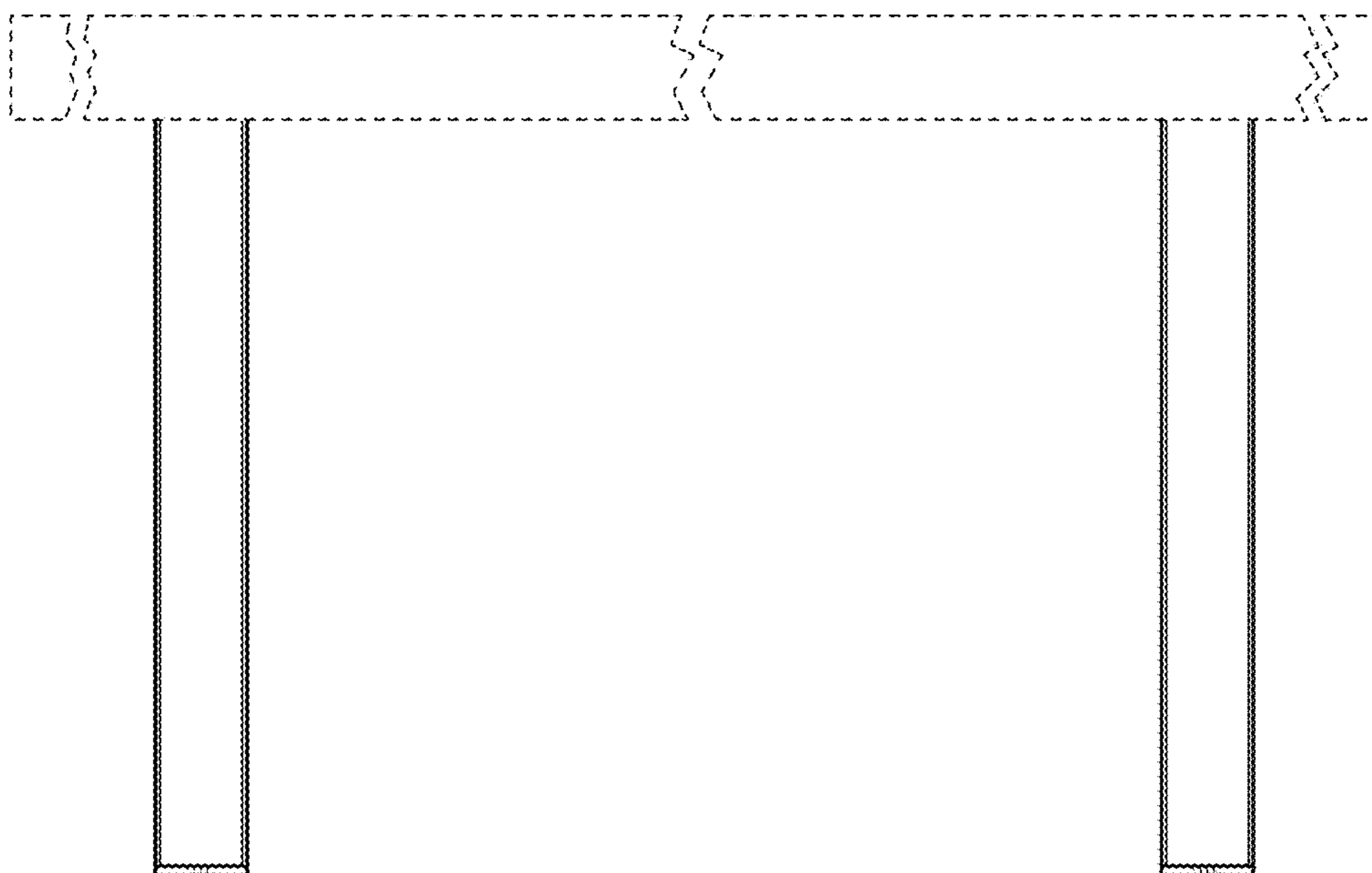
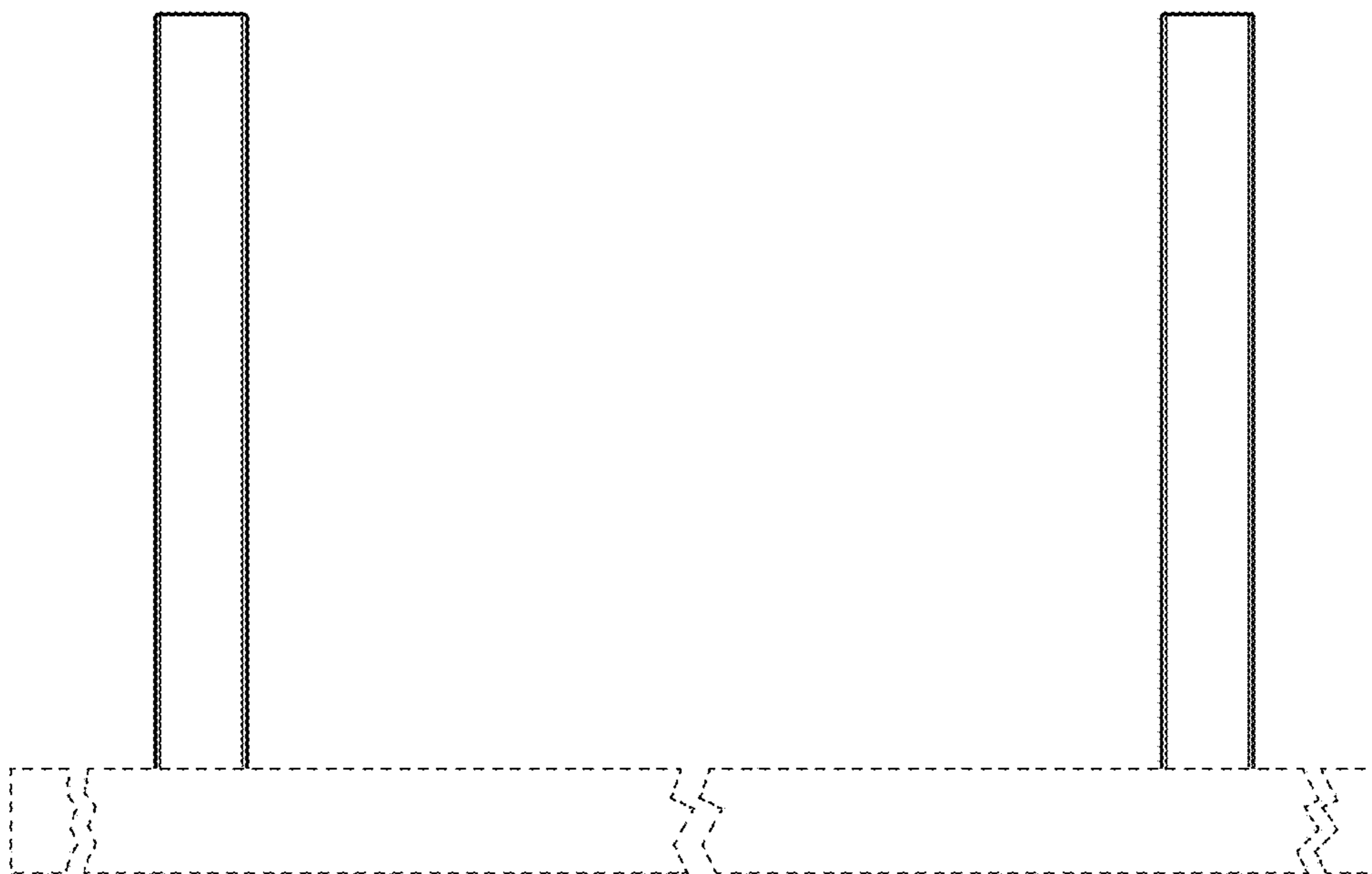


FIG. 8

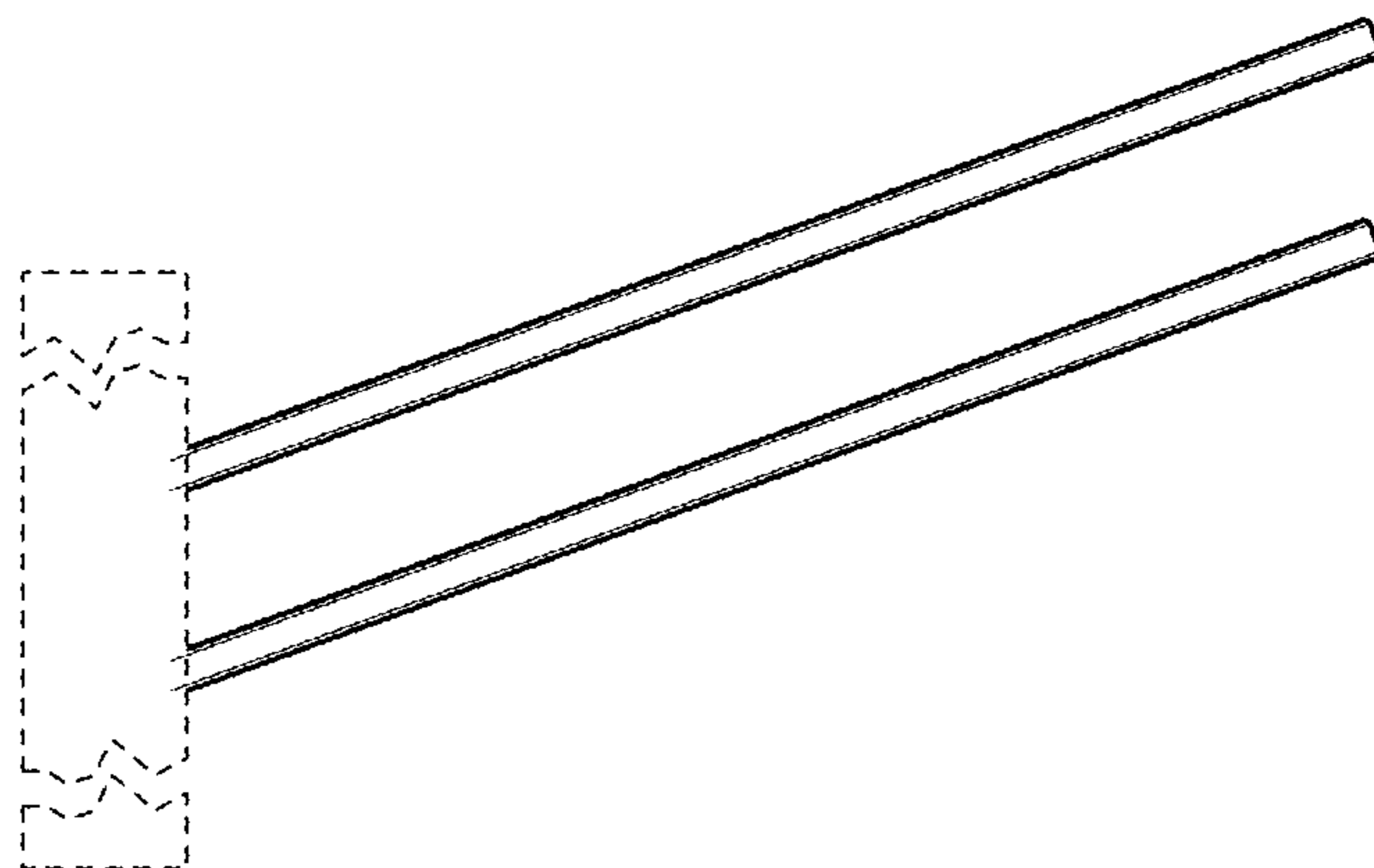


**FIG. 9**

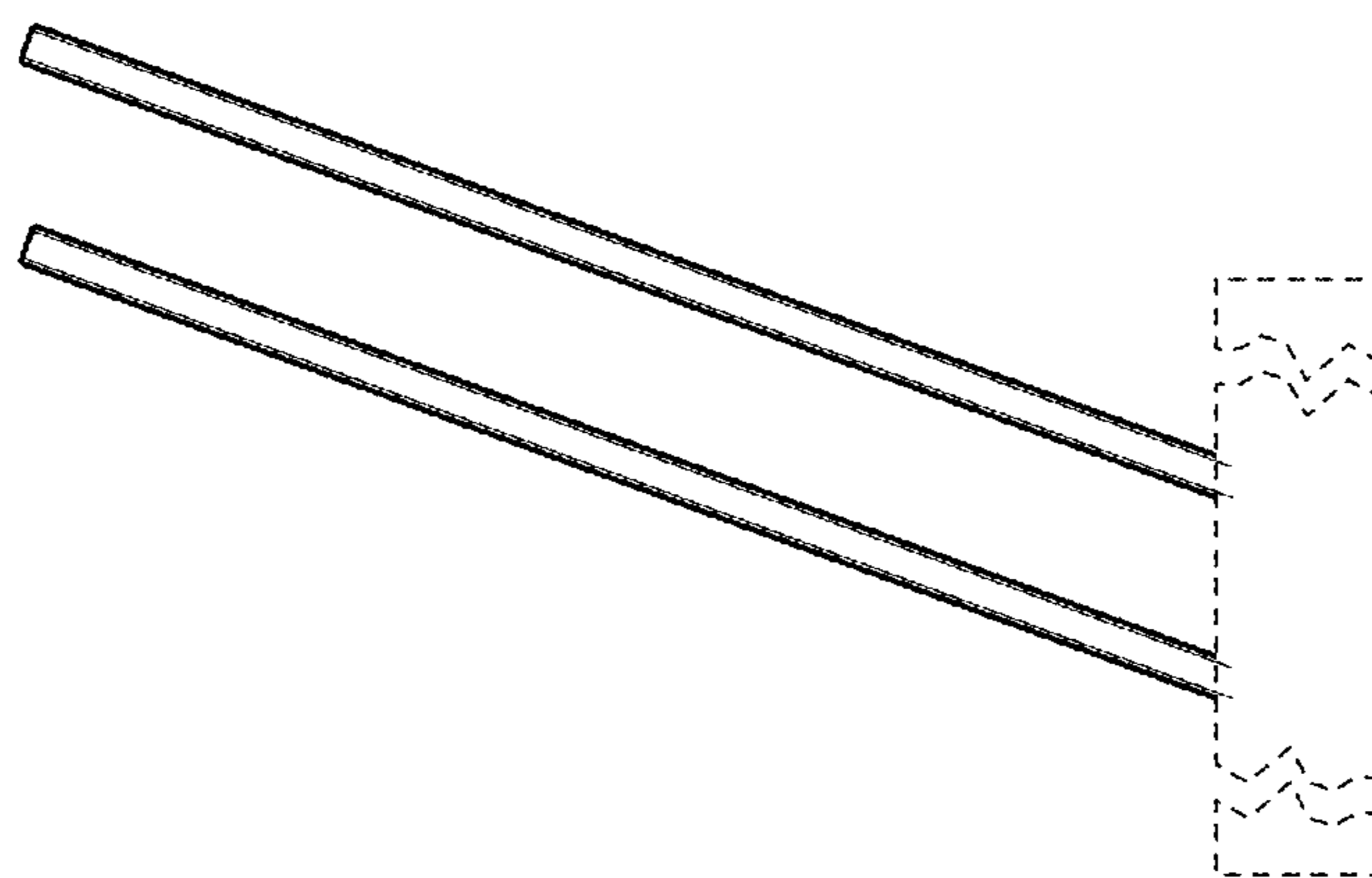


**FIG. 10**





**FIG. 11**



**FIG. 12**

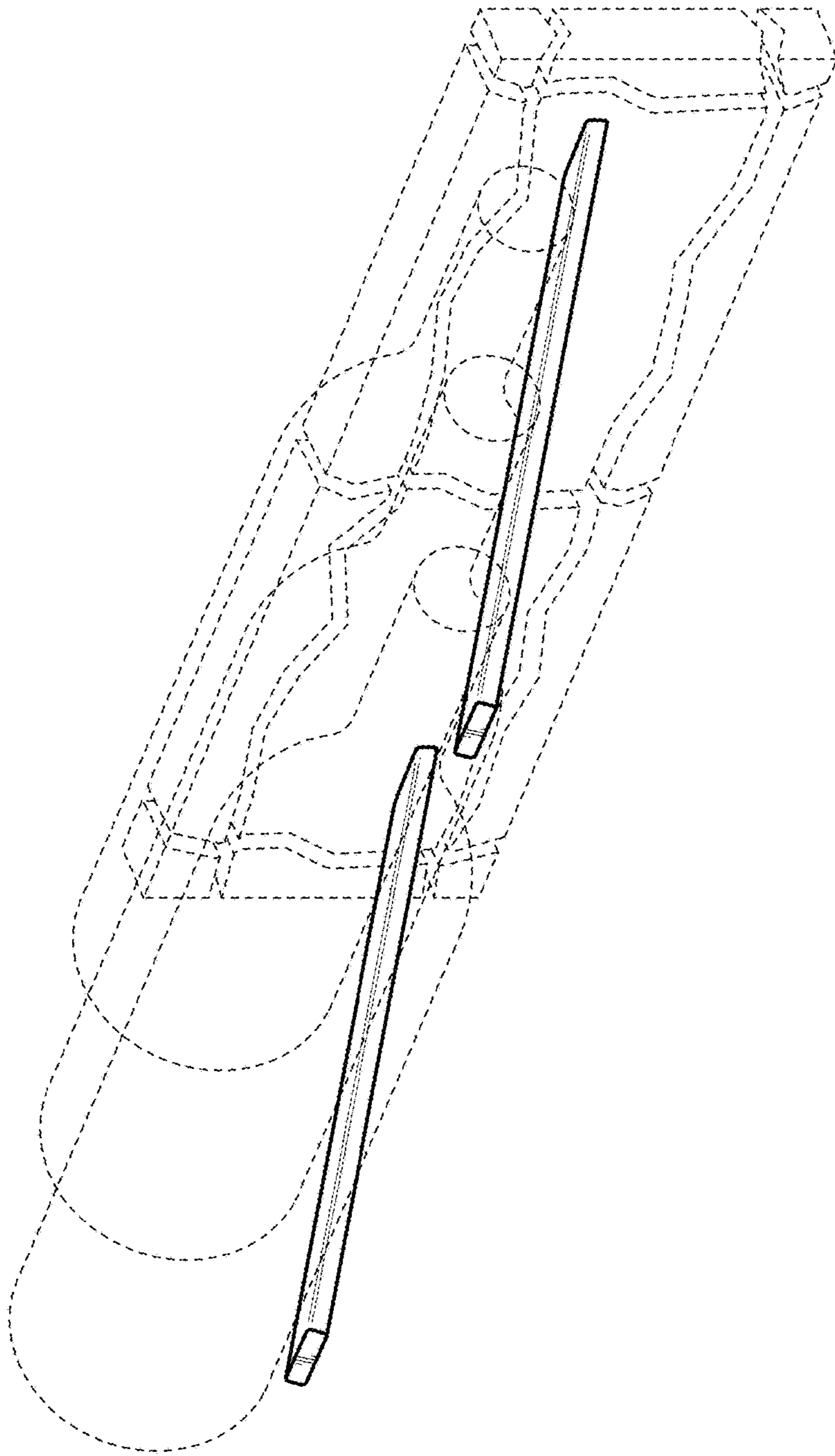


FIG. 13

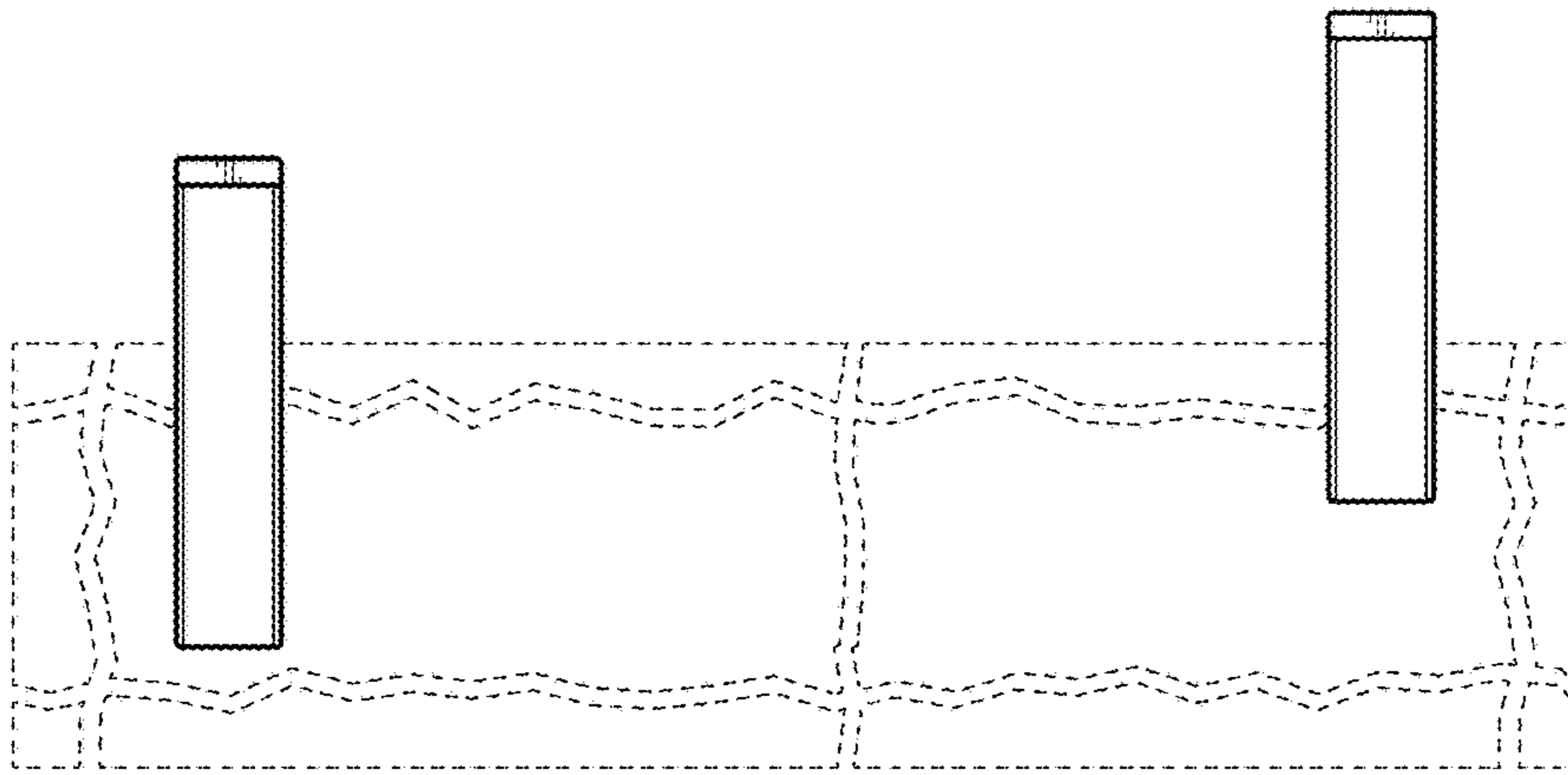


FIG. 14



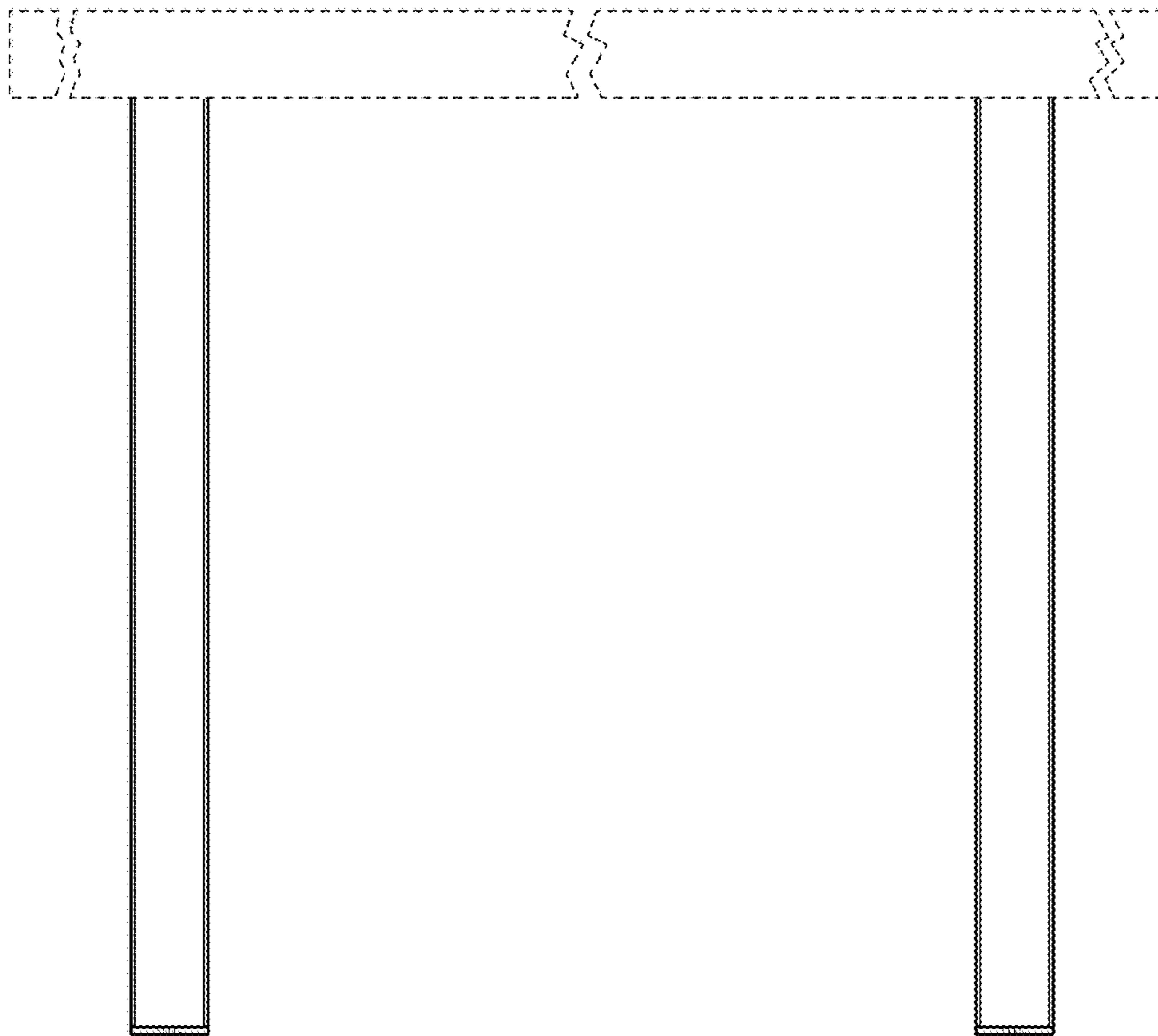
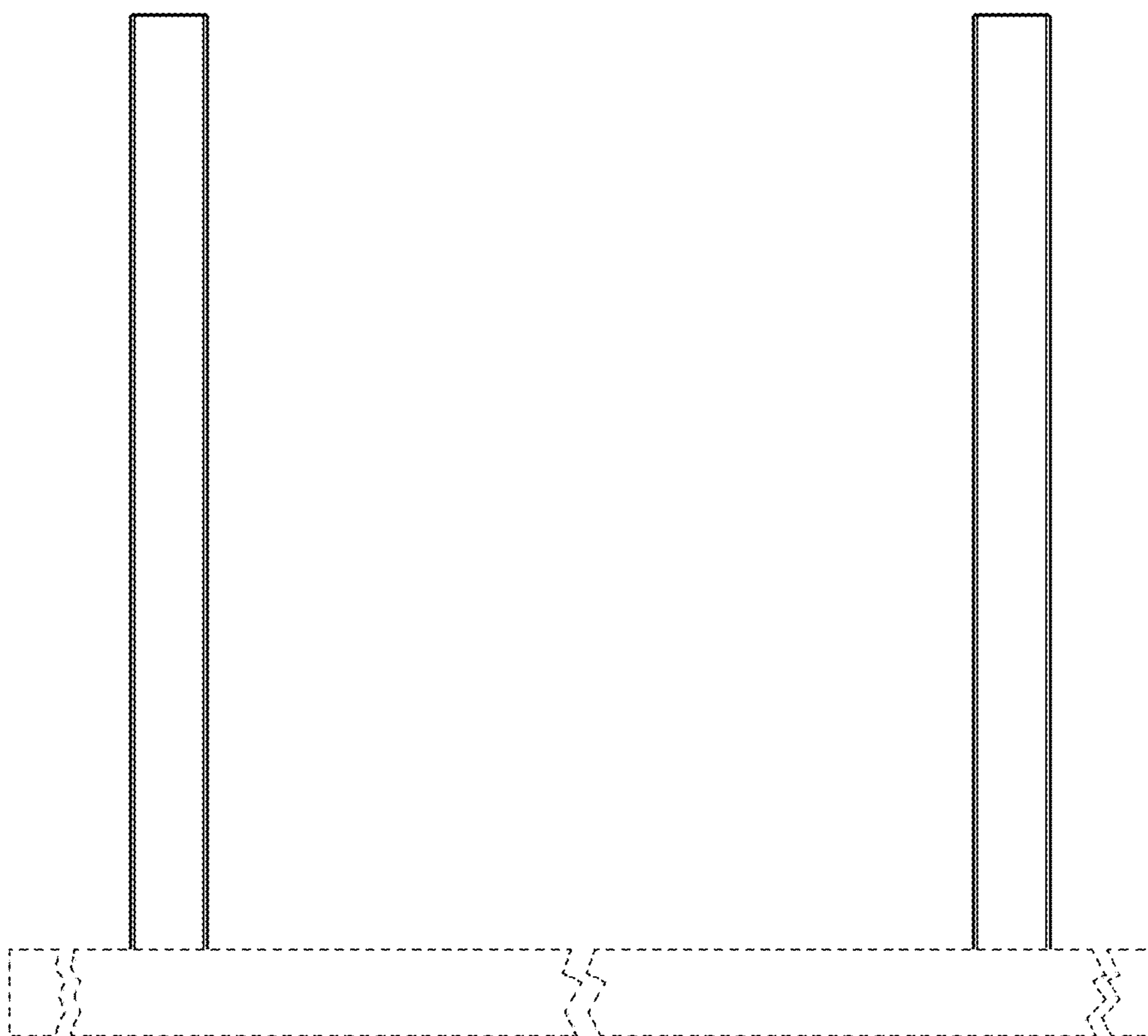
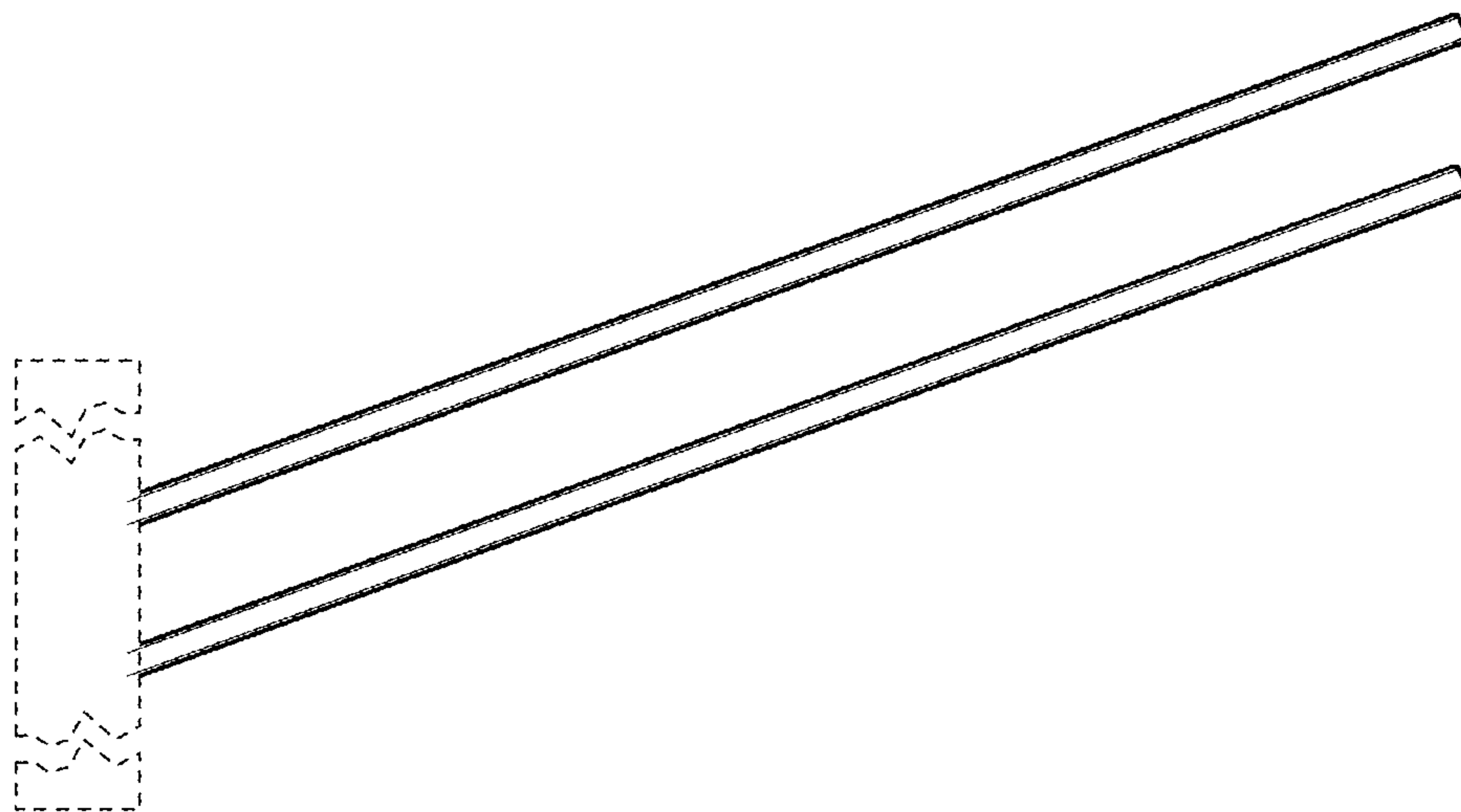


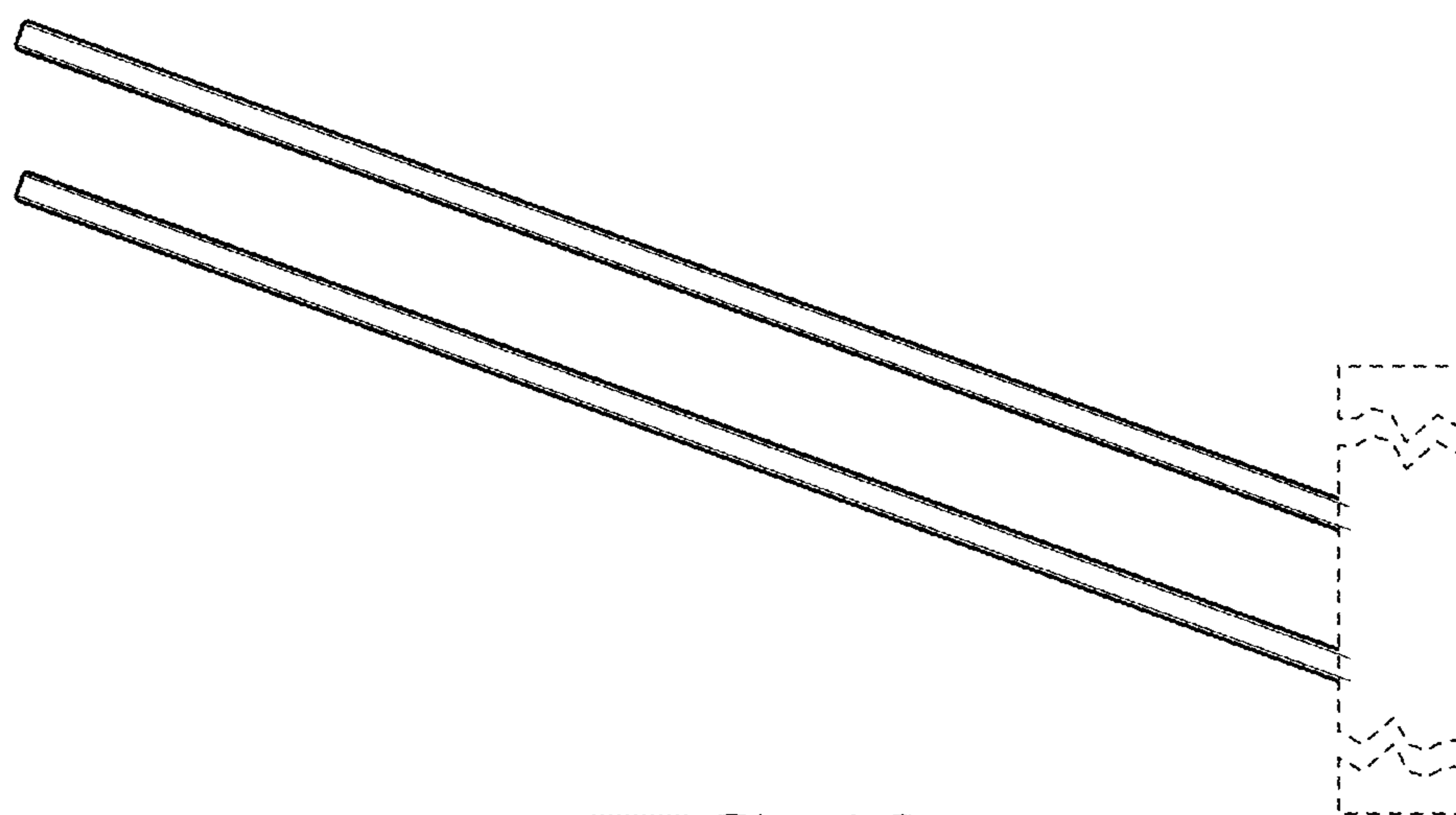
FIG. 15



**FIG. 16**



**FIG. 17**



**FIG. 18**



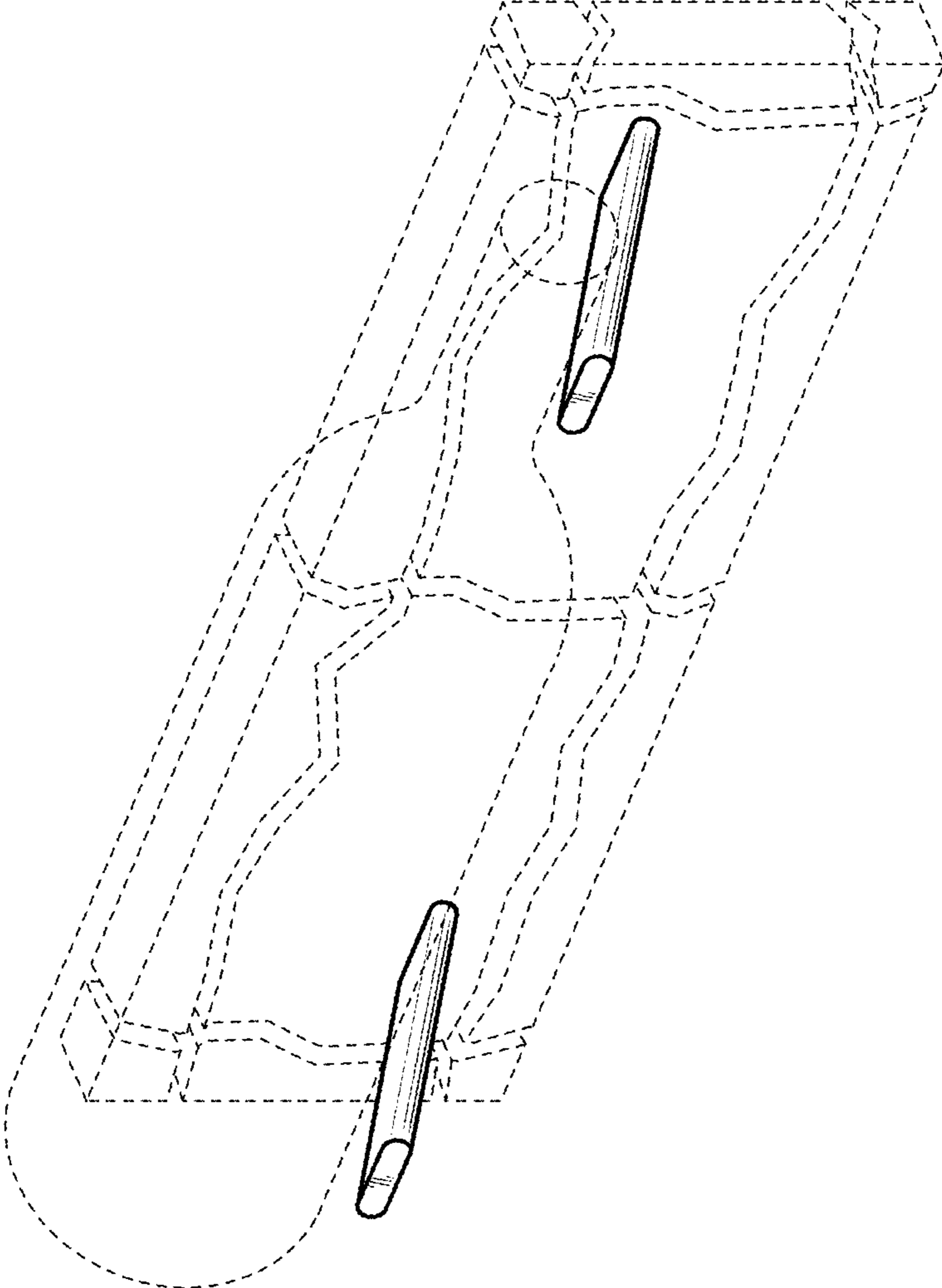
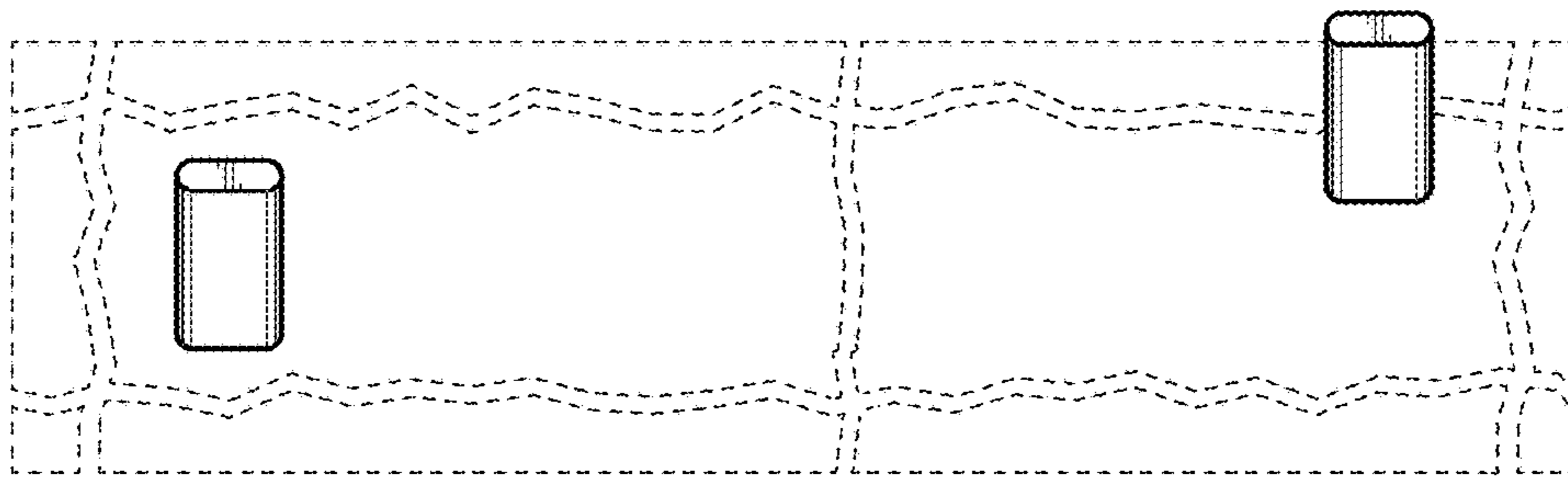
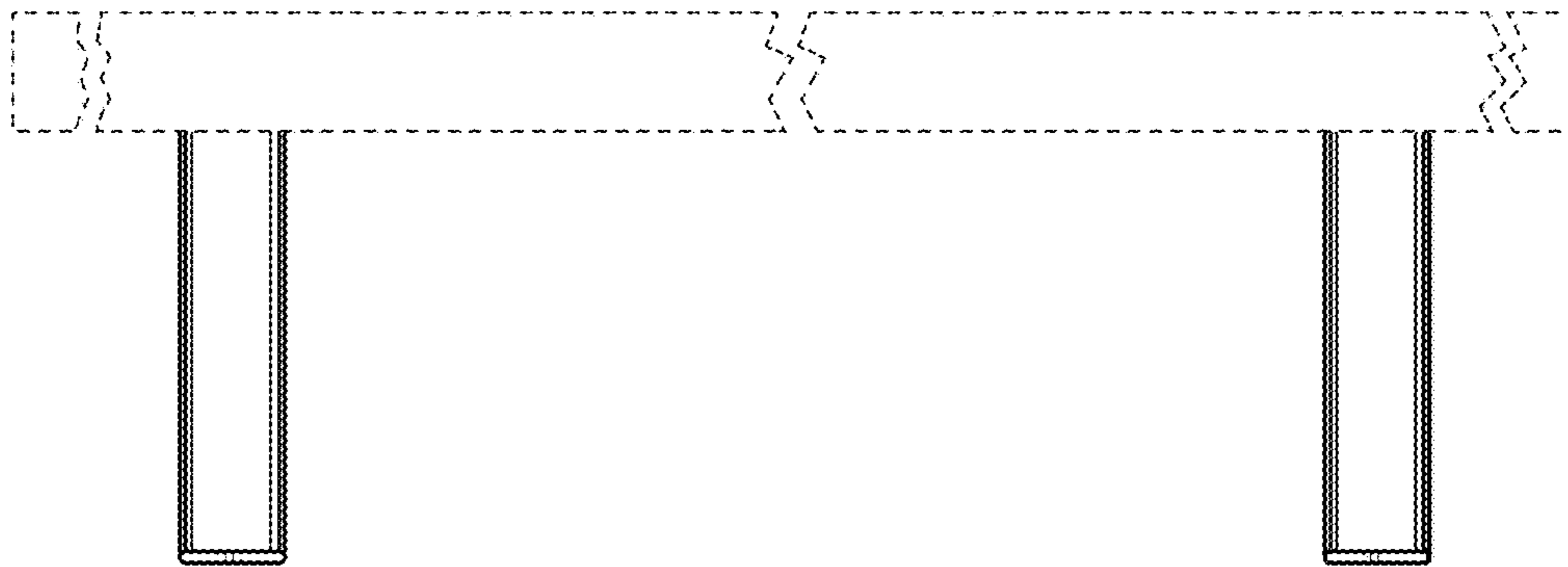


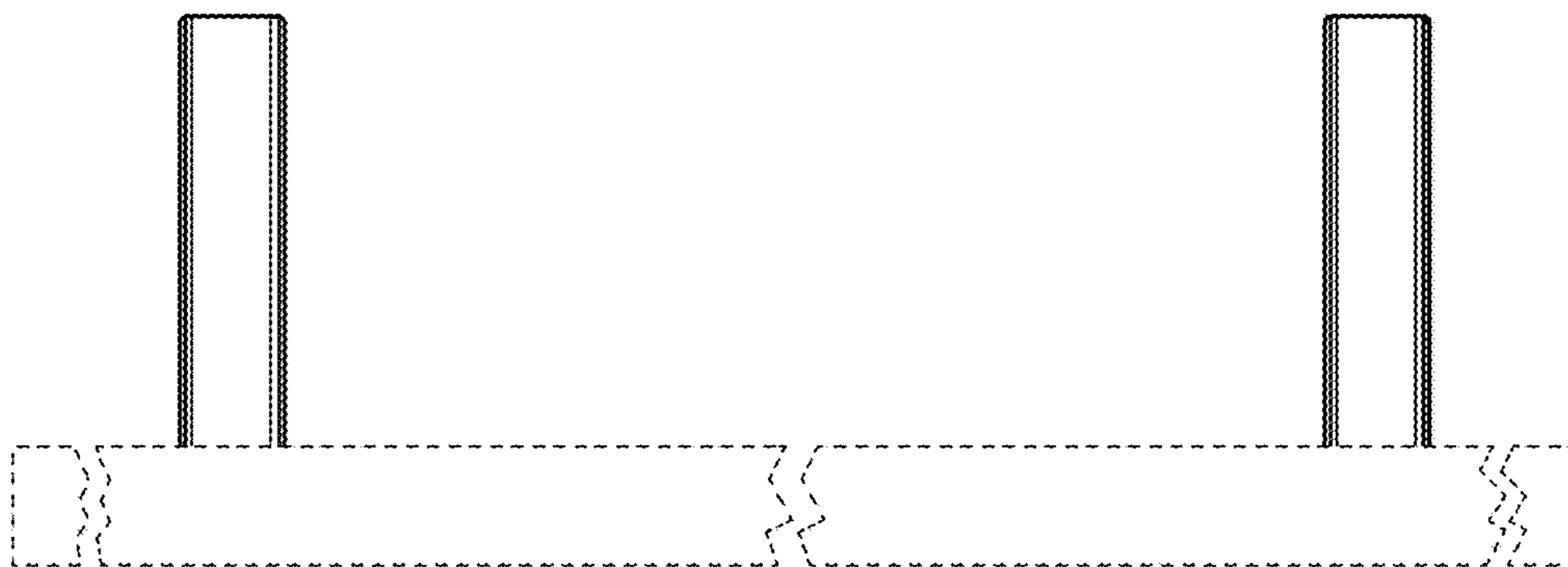
FIG. 19



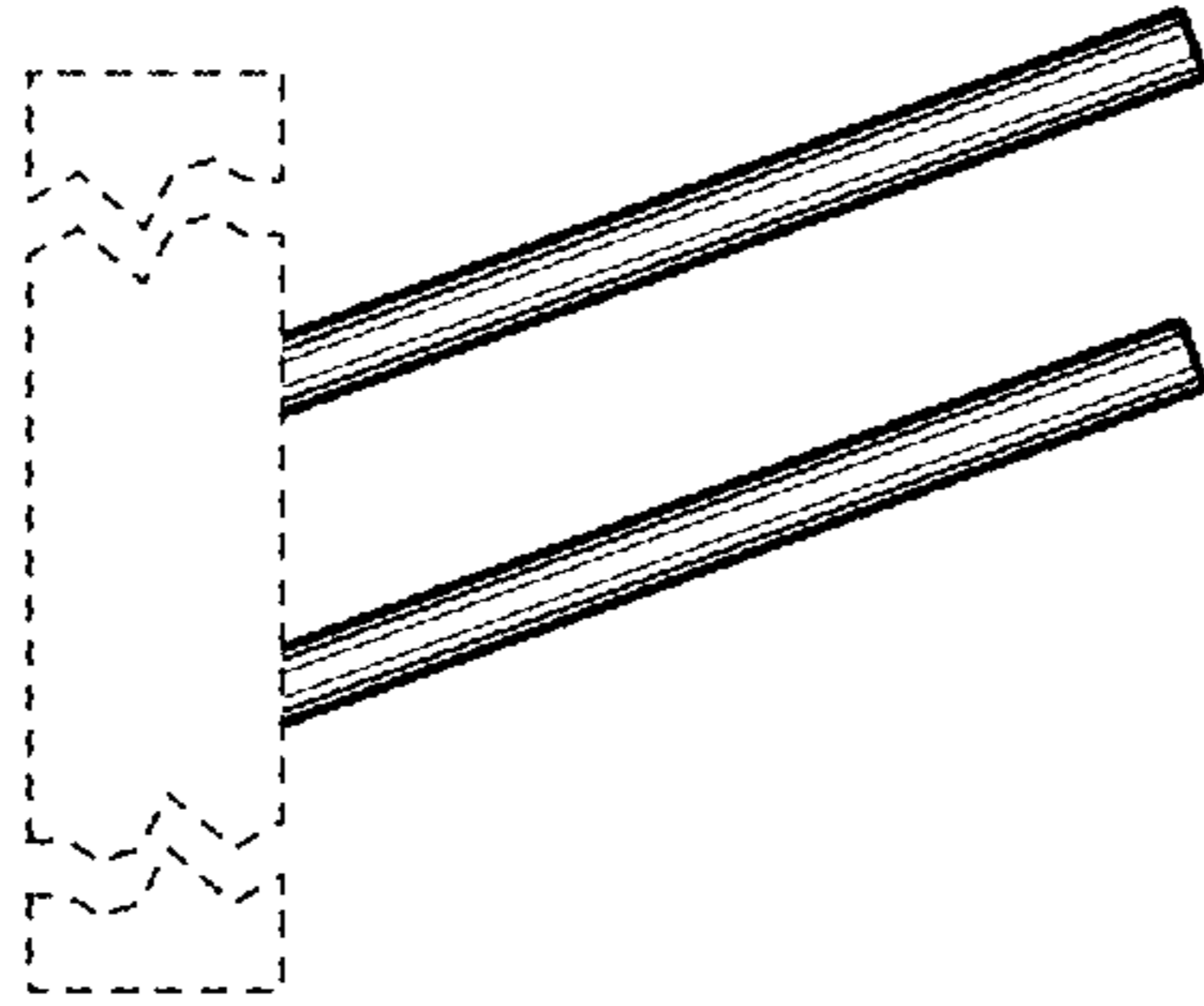
**FIG. 20**



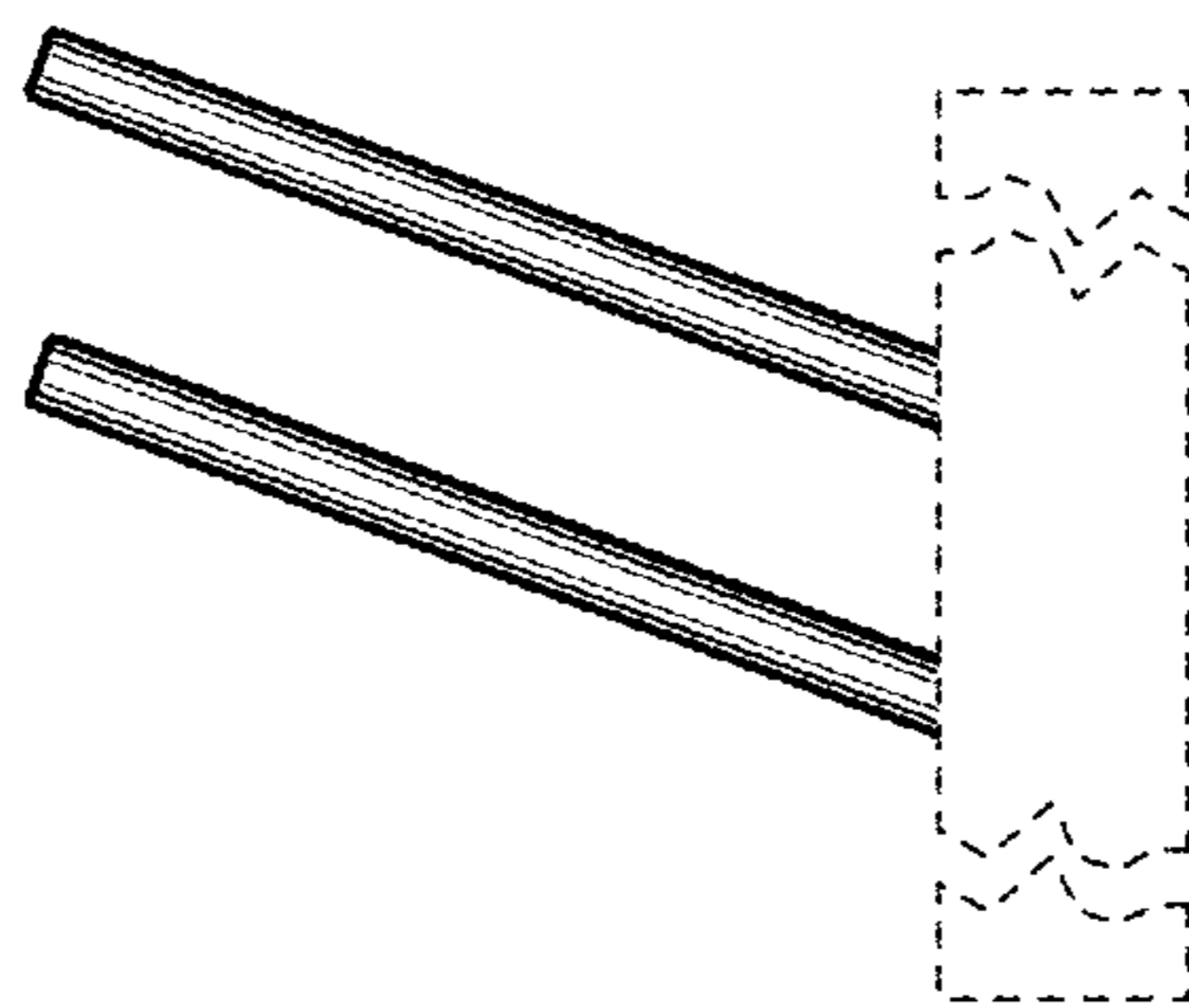
**FIG. 21**



**FIG. 22**



**FIG. 23**



**FIG. 24**



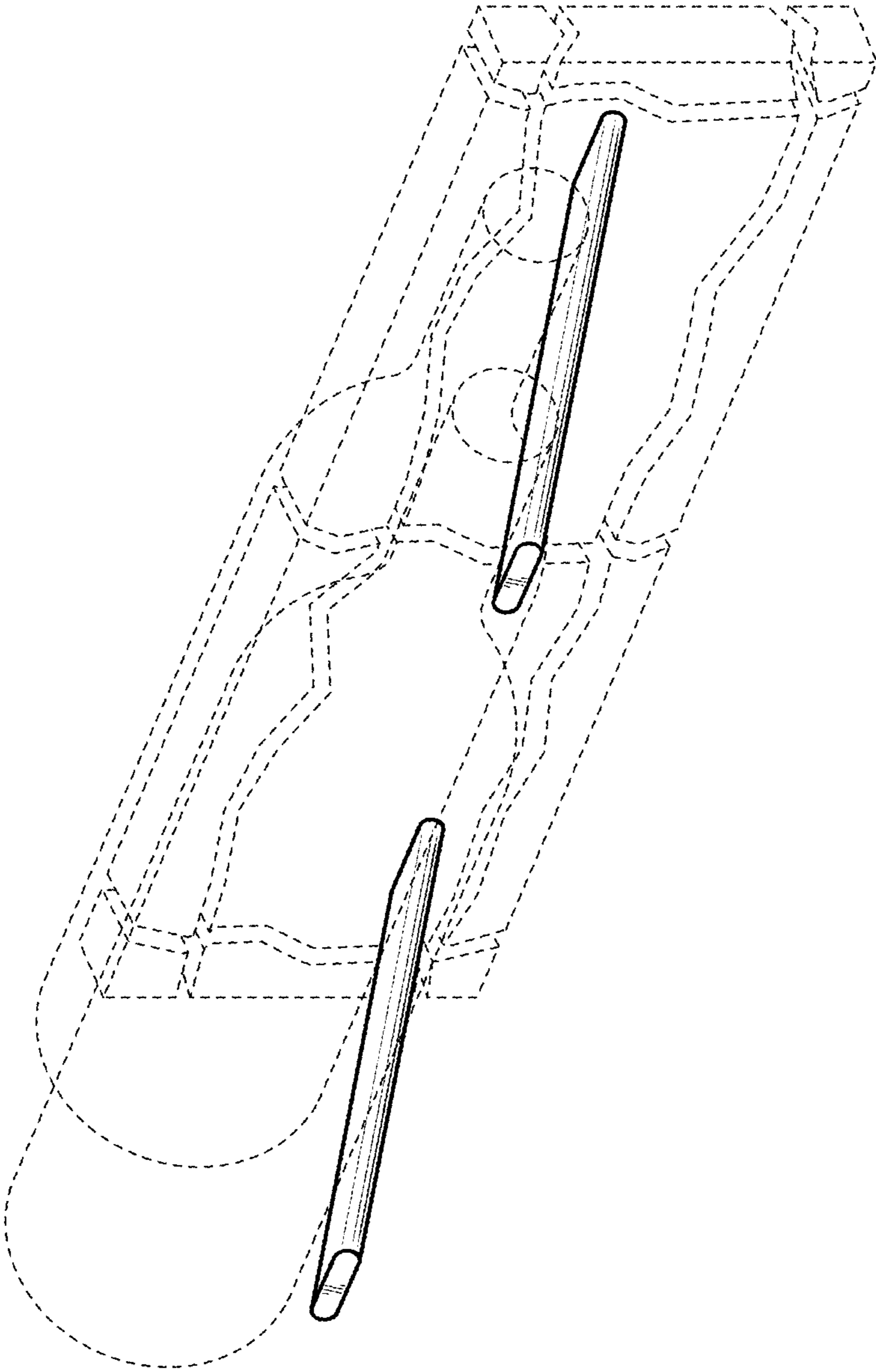
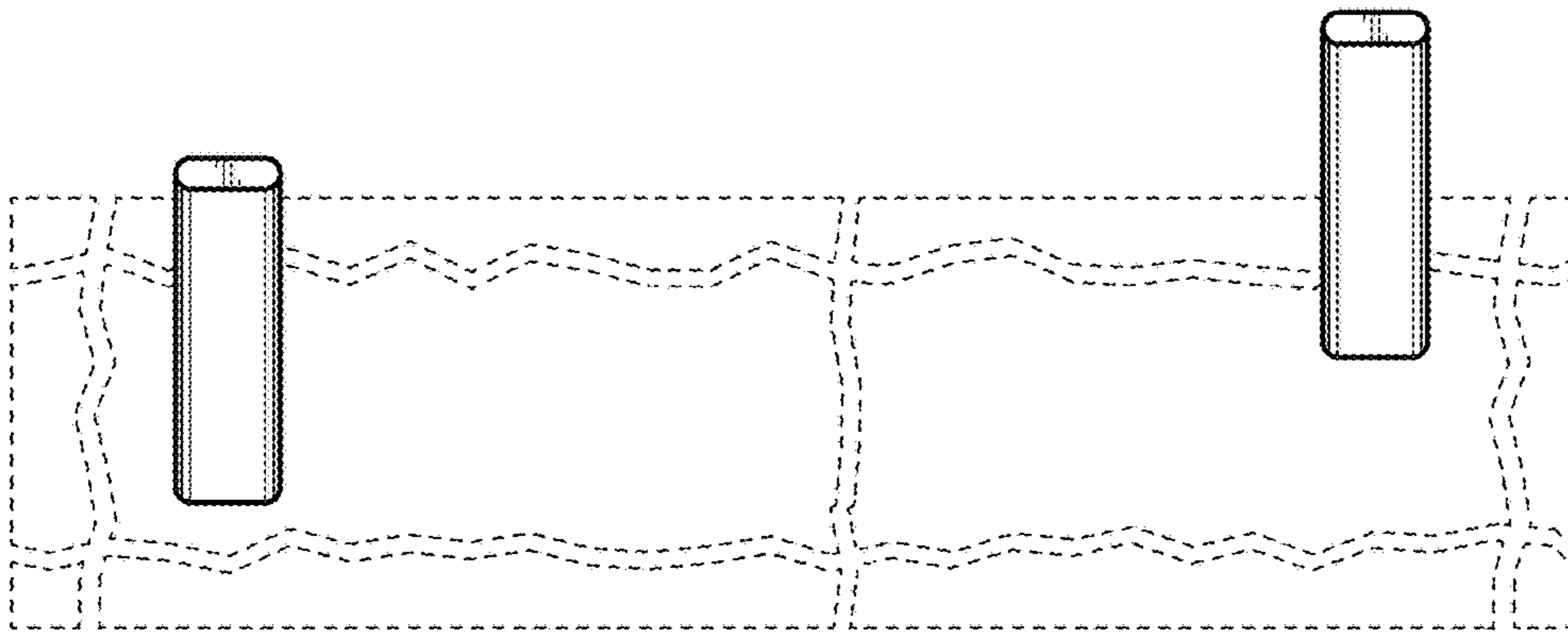
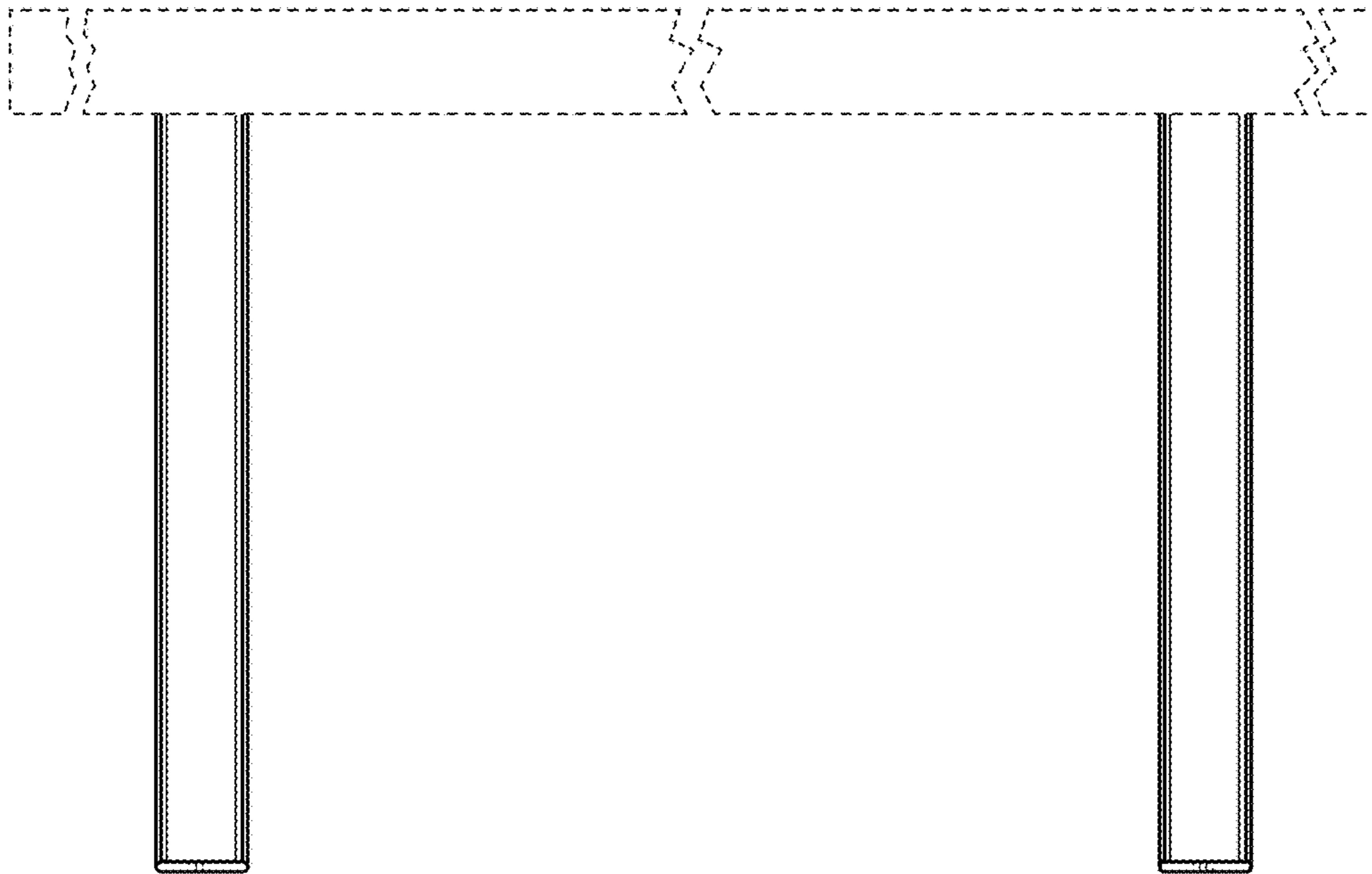


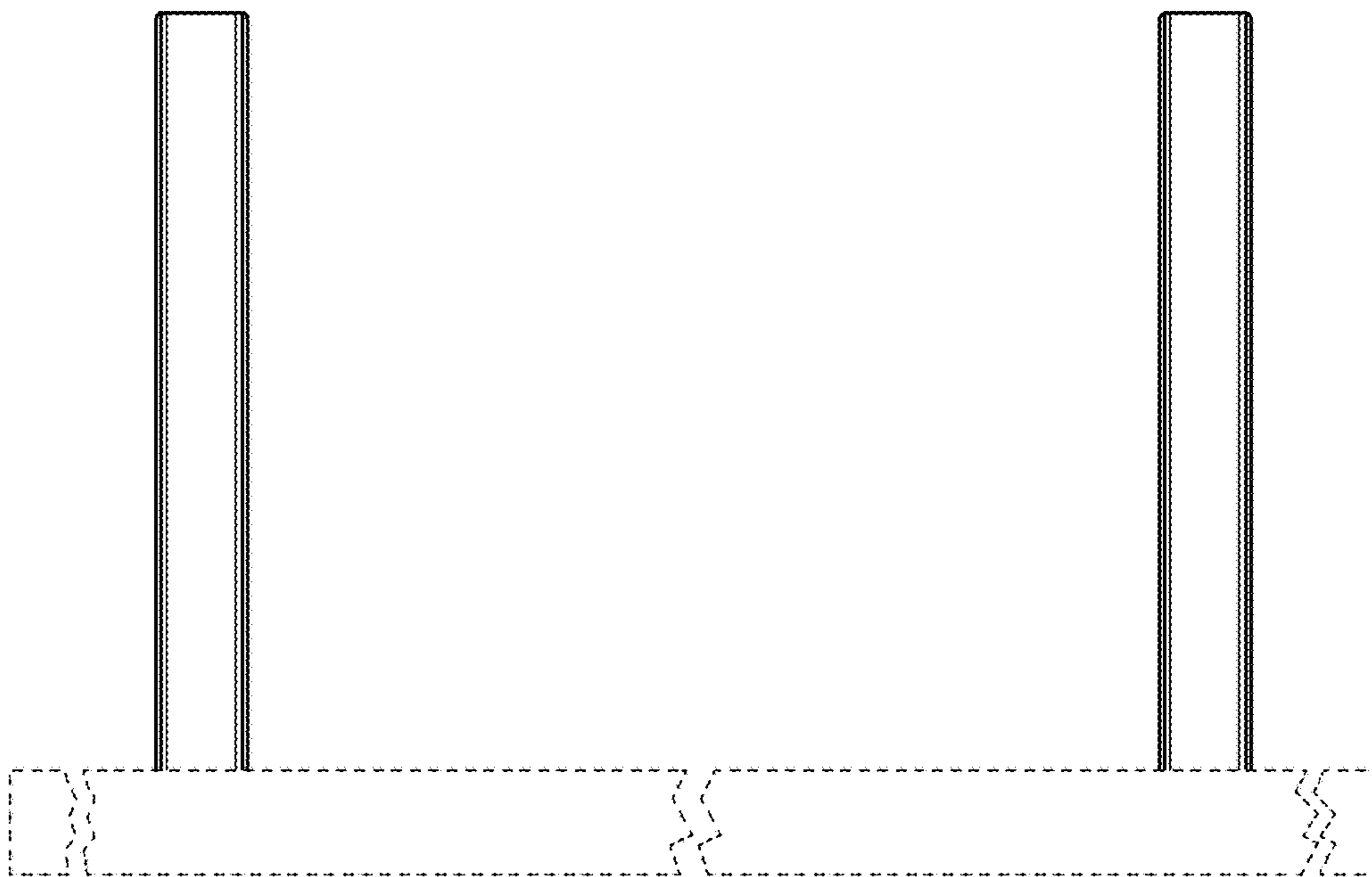
FIG. 25



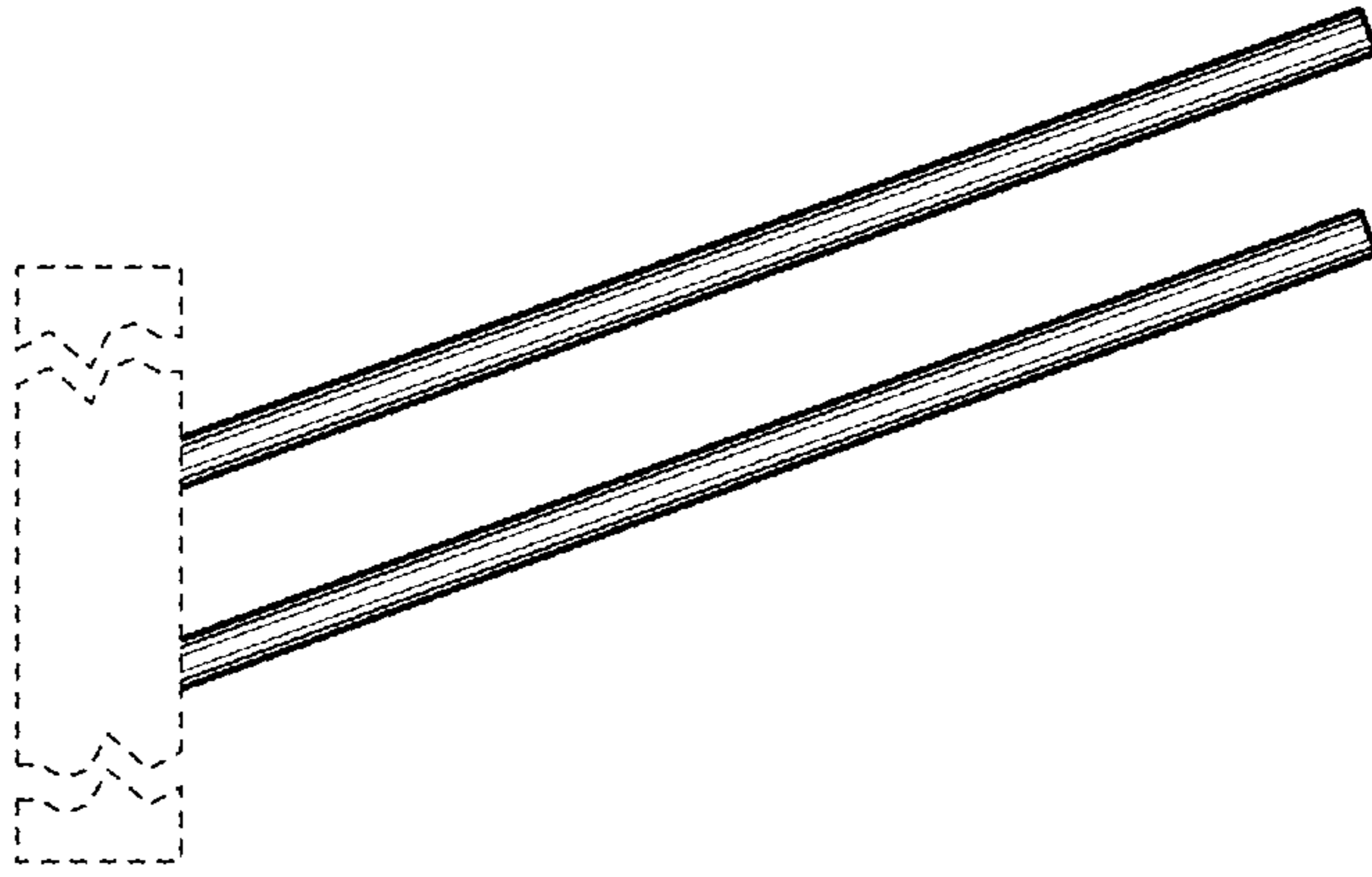
**FIG. 26**



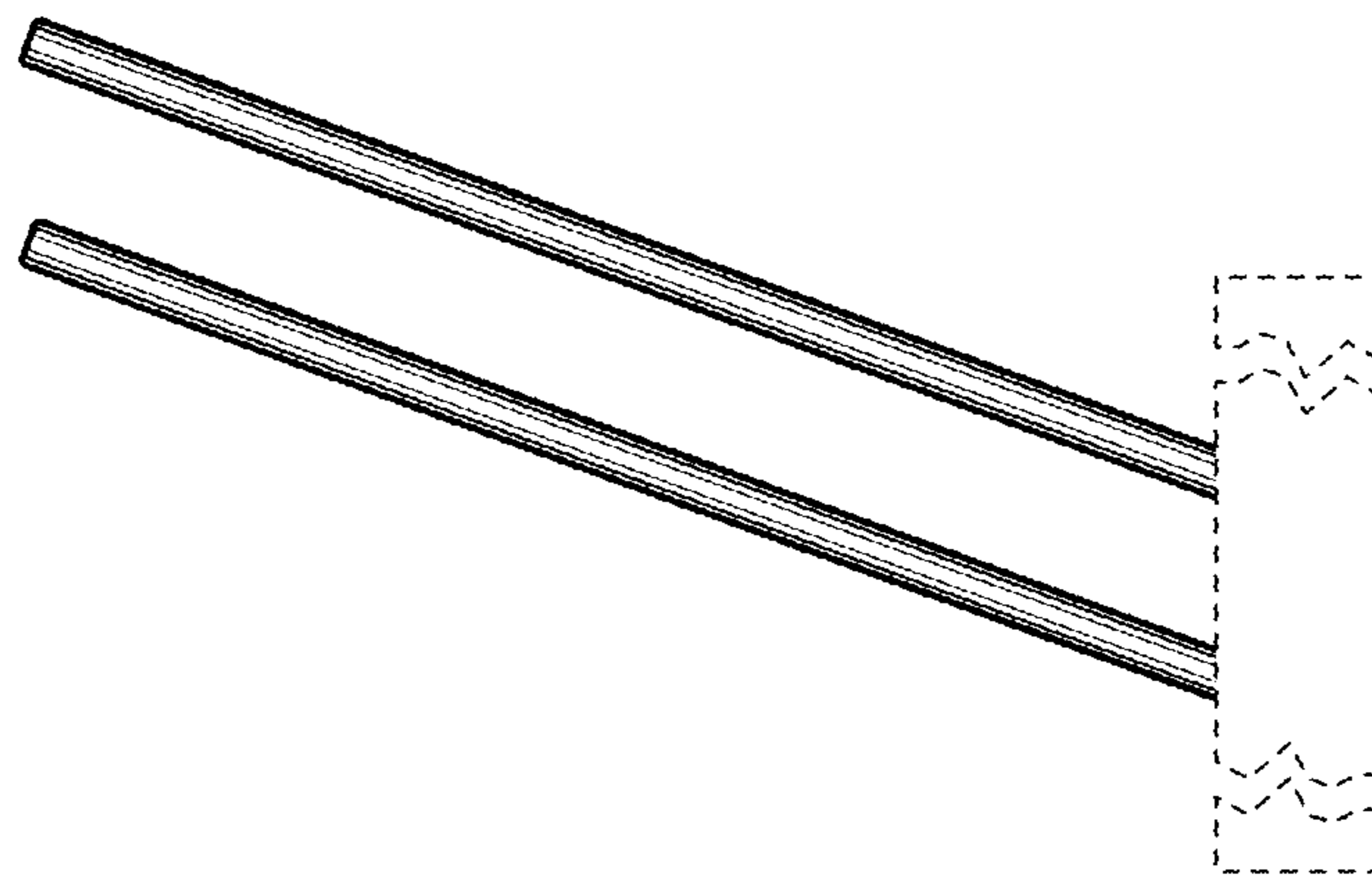
**FIG. 27**



**FIG. 28**



**FIG. 29**



**FIG. 30**



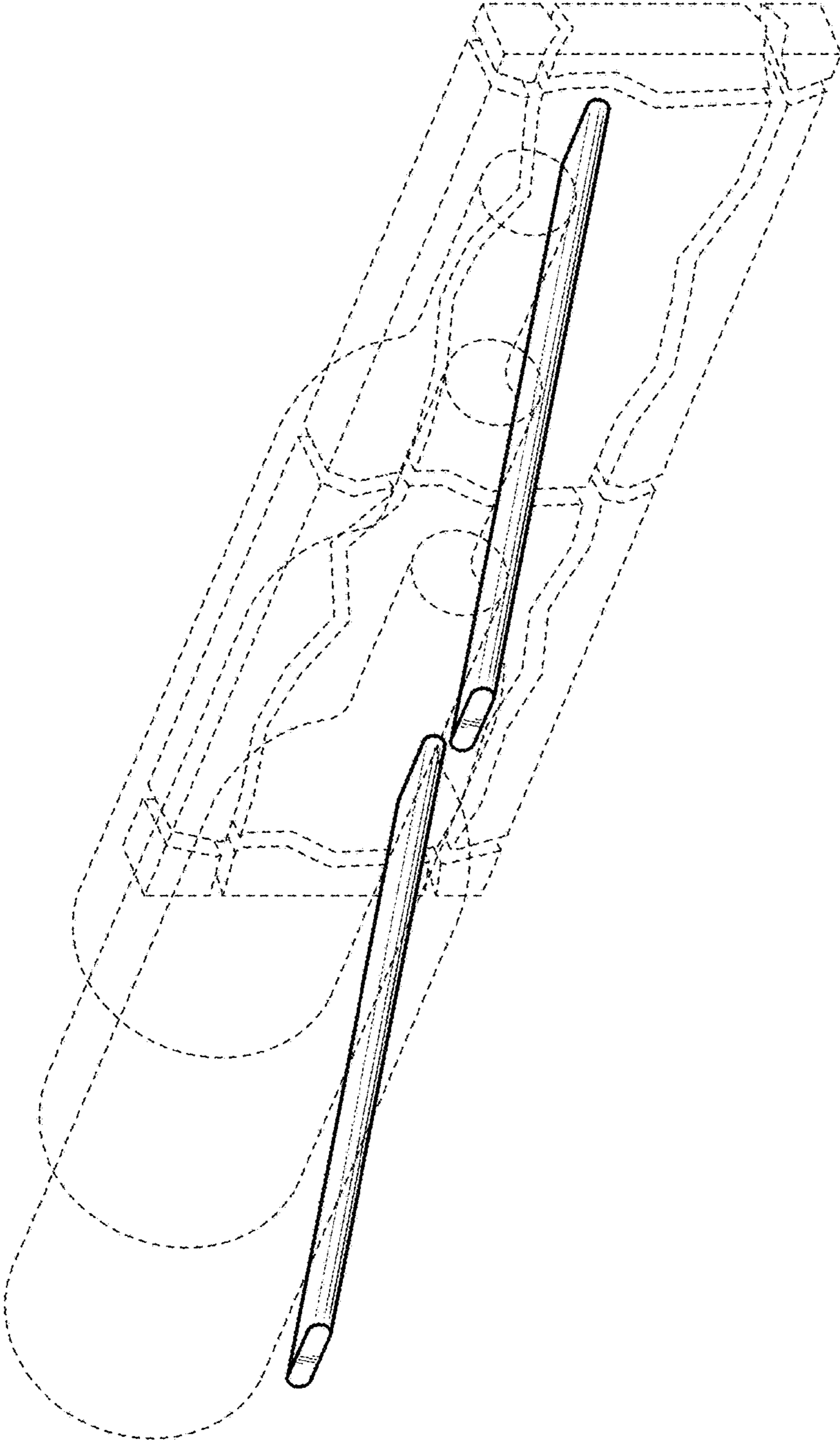
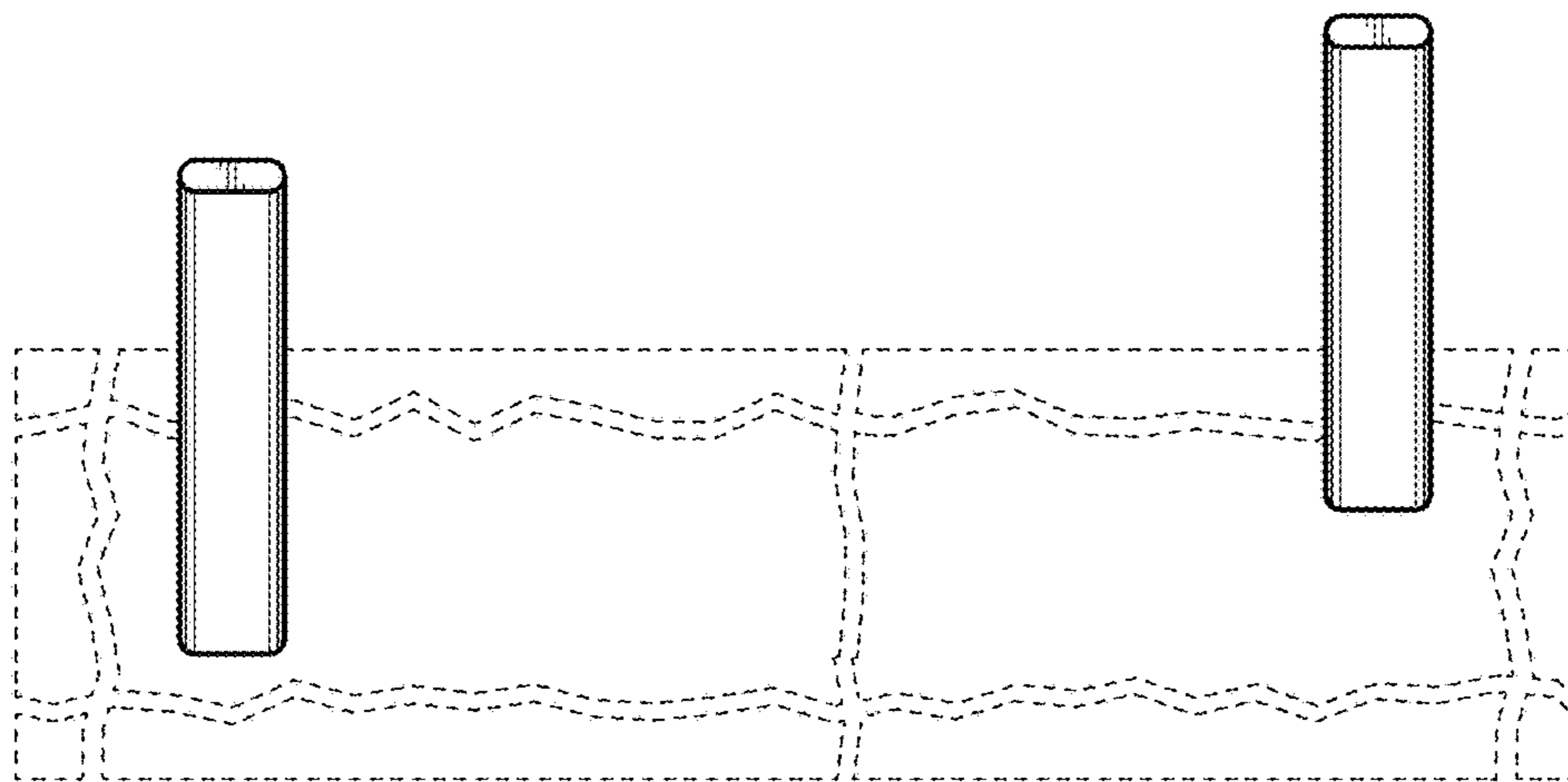
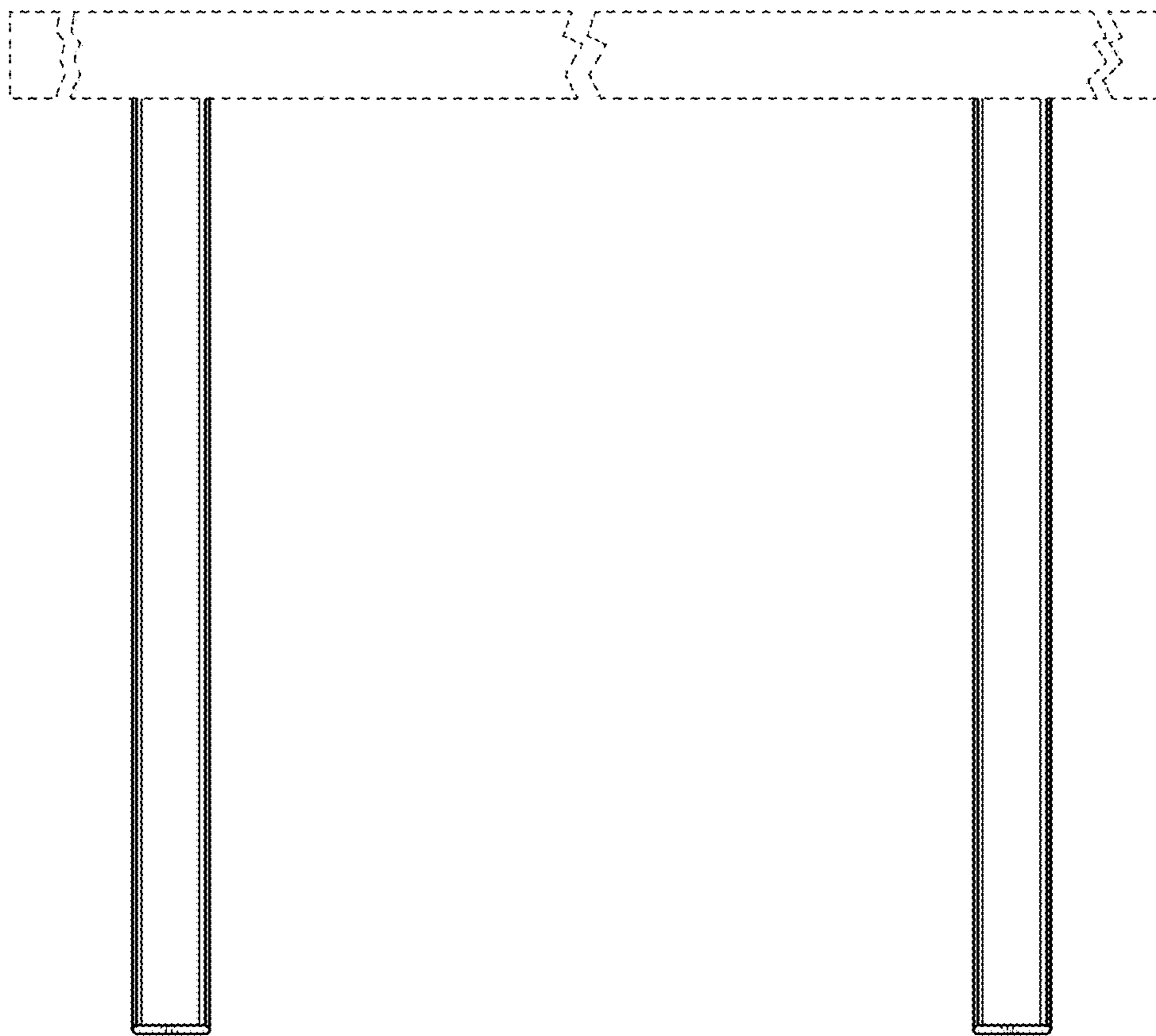


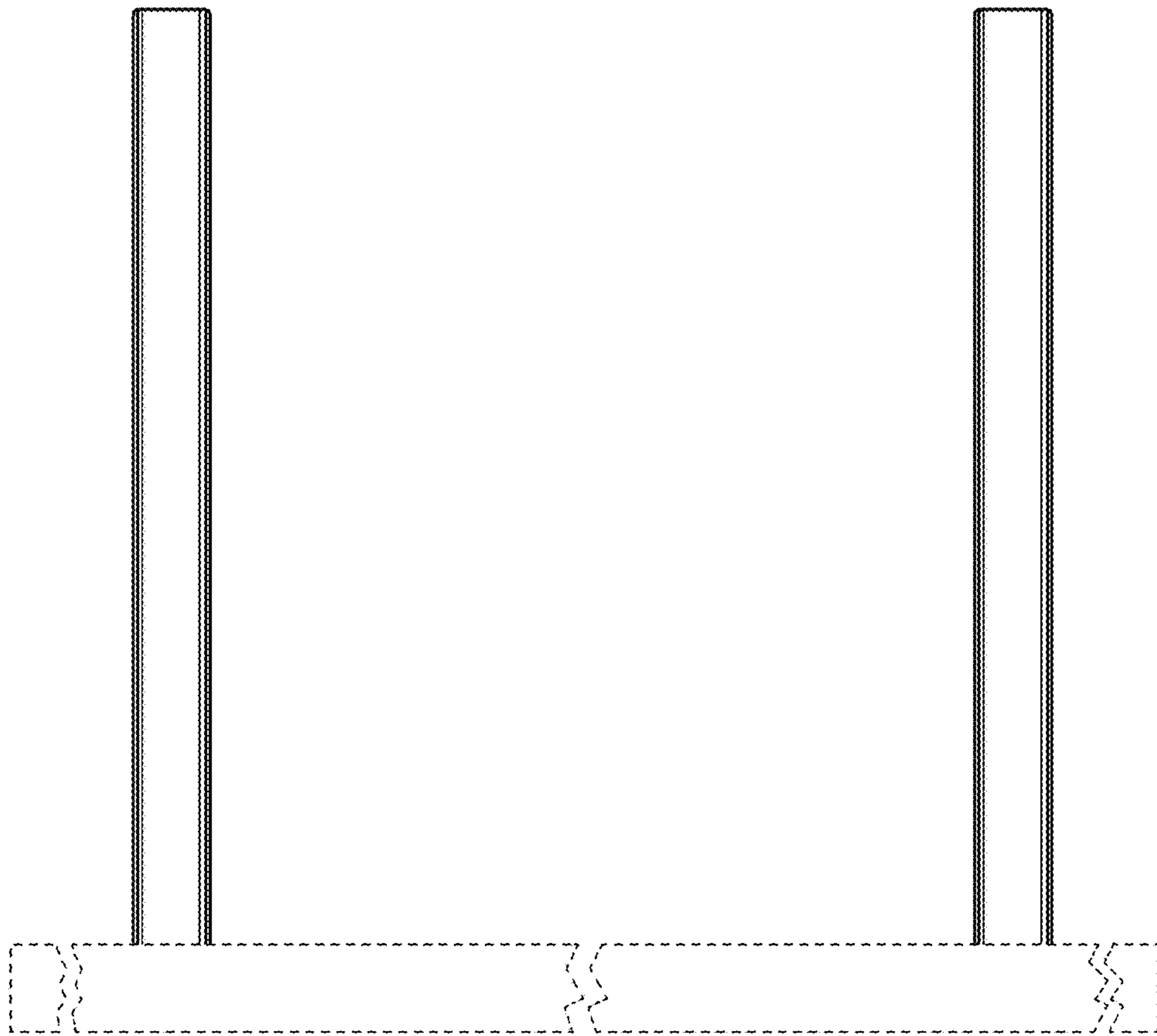
FIG. 31



**FIG. 32**

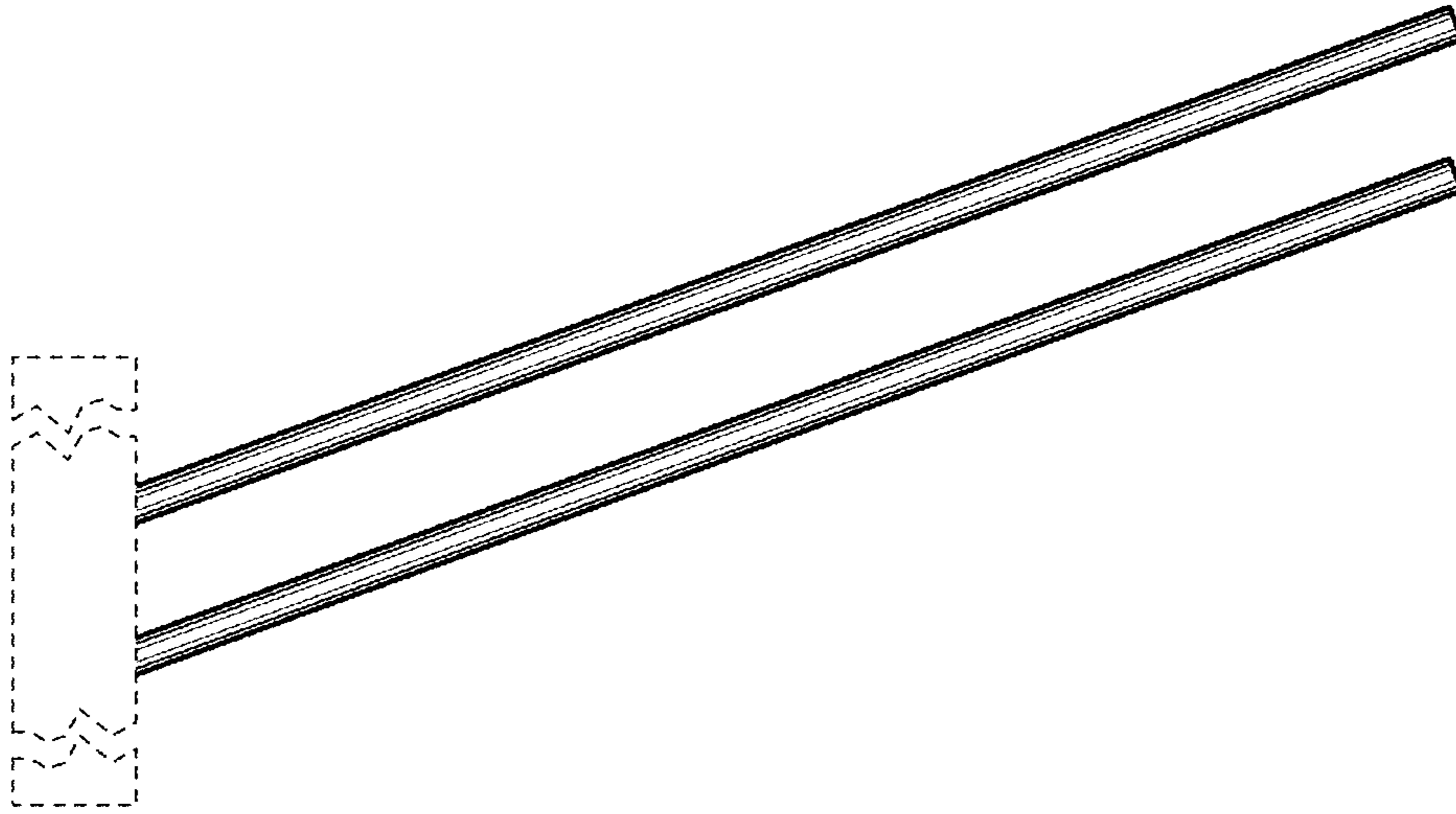


**FIG. 33**

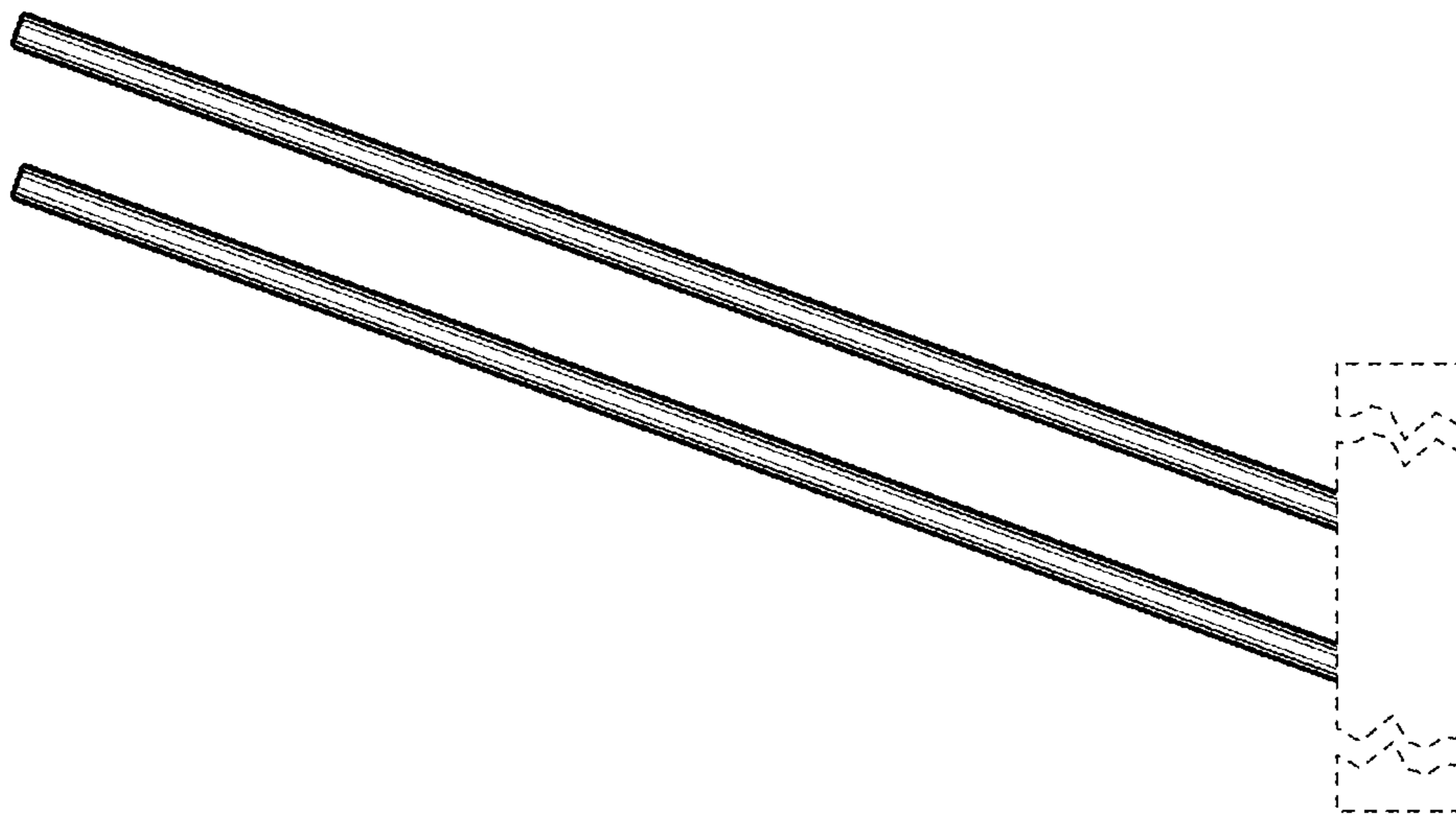


**FIG. 34**





**FIG. 35**



**FIG. 36**