

US00D834895S

(12) **United States Design Patent** (10) **Patent No.:** **US D834,895 S**
Triska et al. (45) **Date of Patent:** **** Dec. 4, 2018**

(54) **SOFT-SIDED COOLER BACKPACK**

FOREIGN PATENT DOCUMENTS

(71) Applicants: **Wal-Mart Stores, Inc.**, Bentonville, AR (US); **Olivet International, Inc.**, Mira Loma, CA (US)

WO 2017079315 A1 5/2017
WO 2017136747 A1 8/2017

(Continued)

(72) Inventors: **Nathan Andrew Triska**, Bella Vista, AR (US); **Patrick Neal Overbey**, Rogers, AR (US)

OTHER PUBLICATIONS

Academy Sports + Outdoors, Magellan Outdoors 24-Can Sport Backpack Cooler, <http://www.academy.com/shop/pdp/-magellan-outdoors-24-can-sport-backpack-cooler>. Retrieved Aug. 16, 2017. 3 pages.

(Continued)

(73) Assignees: **Walmart Apollo, LLC**, Bentonville, AR (US); **Olivet International, Inc.**, Mira Loma, CA (US)

Primary Examiner — Terry A Wallace

(**) Term: **15 Years**

(74) *Attorney, Agent, or Firm* — McCarter & English, LLP; David R. Burns

(21) Appl. No.: **29/584,728**

(57) **CLAIM**

(22) Filed: **Nov. 16, 2016**

What is claimed is an ornamental design for a soft-sided cooler backpack, as shown and described.

(51) **LOC (11) Cl.** **07-01**

DESCRIPTION

(52) **U.S. Cl.**

USPC **D7/607**; D3/216

(58) **Field of Classification Search**

USPC D7/603–608; D3/216, 283, 289, 233, D3/267, 268, 273, 276, 315, 318

CPC F25D 2331/801; F25D 2331/804; F25D 3/08; F25D 3/06; F25D 23/12; B65D 30/08; B65D 81/3858; B65D 81/3823; B65D 81/3888; B65D 81/3897; B65D 31/04; A45C 11/20; A45F 3/04

See application file for complete search history.

FIG. 1 is a perspective view of a soft-sided cooler backpack showing the design;
FIG. 2 is a front plan view of the soft-sided cooler backpack of FIG. 1;
FIG. 3 is a rear plan view of the soft-sided cooler backpack of FIG. 1;
FIG. 4 is a left side plan view of the soft-sided cooler backpack of FIG. 1;
FIG. 5 is a right side plan view of the soft-sided cooler backpack of FIG. 1;
FIG. 6 is a top plan view of the soft-sided cooler backpack of FIG. 1; and,
FIG. 7 is a bottom plan view of the soft-sided cooler backpack of FIG. 1.

The ornamental design which is claimed is shown in solid lines in the drawings. Any broken lines shown in FIGS. 1-7 is an illustration of environmental structure which is hereby disclaimed forming no part of the claimed design.

(56) **References Cited**

U.S. PATENT DOCUMENTS

5,400,610 A * 3/1995 Macedo A45C 11/20
116/216
6,276,579 B1 8/2001 DeLoach
D478,782 S * 8/2003 Li D7/607

(Continued)

1 Claim, 7 Drawing Sheets



(56)

References Cited

U.S. PATENT DOCUMENTS

D492,160 S * 6/2004 Lanman D7/605
 D642,870 S 8/2011 Whitlock et al.
 8,281,950 B2 * 10/2012 Potts A45C 7/0077
 220/531
 D692,661 S * 11/2013 Gupton, Jr. D3/279
 8,777,045 B2 7/2014 Mitchell et al.
 8,910,819 B2 12/2014 Seiders
 D732,348 S 6/2015 Seiders et al.
 D732,349 S 6/2015 Seiders et al.
 D732,350 S 6/2015 Seiders et al.
 D732,899 S 6/2015 Seiders et al.
 9,139,352 B2 9/2015 Seiders et al.
 D752,347 S 3/2016 Seiders et al.
 D798,670 S 10/2017 Seiders et al.
 D799,276 S 10/2017 Seiders et al.
 D799,277 S 10/2017 Seiders et al.
 D799,905 S 10/2017 Seiders et al.
 D801,123 S 10/2017 Seiders et al.
 D802,373 S 11/2017 Seiders et al.
 D805,851 S 12/2017 Sullivan et al.
 D809,869 S 2/2018 Seiders et al.
 D814,879 S 4/2018 Larson et al.
 D815,496 S 4/2018 Larson et al.
 D817,106 S 5/2018 Larson et al.
 D817,107 S 5/2018 Larson et al.
 2005/0133399 A1 6/2005 Fidrych
 2014/0144963 A1 5/2014 Moore et al.
 2015/0225164 A1 8/2015 Seiders et al.
 2016/0101924 A1 * 4/2016 Mitchell B65D 81/3888
 220/592.2
 2016/0244239 A1 8/2016 Nash
 2016/0257479 A1 9/2016 Seiders et al.
 2017/0036844 A1 2/2017 Seiders et al.
 2017/0158412 A1 6/2017 Seiders et al.
 2017/0210542 A1 7/2017 Seiders et al.
 2017/0305638 A1 10/2017 Sonntag et al.
 2017/0313492 A1 11/2017 Seiders et al.
 2018/0037394 A1 2/2018 Seiders et al.

FOREIGN PATENT DOCUMENTS

WO 2017136754 A1 8/2017
 WO 2017184687 A1 10/2017
 WO 2017197230 A1 11/2017
 WO 2018075157 A1 4/2018

OTHER PUBLICATIONS

Aliexpress, 4 colors thermal leak-proof ice pack insulation cooler bag breast milk storage bag insulated lunch bag for women men. Chasiy. <https://www.aliexpress.com/item/4-colors-thermal-leak-proof-ice-pack-insulation-cooler-bag-breast-milk-storage-bag-insulated-lunch/32273624390.html>. Retrieved Aug. 17, 2017. 1 page.

Amazon, Leopard Outdoor Vinyl Cooler Bag, Perfect for Camping, Fishing, Hiking or Outdoor Picnic, 24 Can Blue. <https://www.amazon.com/Leopard-Outdoor-Perfect-Camping-Fishing/dp/B01EXUV6JG>. Retrieved Oct. 14, 2016. 6 pages.
 Amazon, Leopard Outdoor Water Repellent Vinyl Cooler Bag, Perfect for Camping, Fishing, Hiking or Outdoor Picnic, 24Can Blue. <https://www.amazon.com/Leopard-Outdoor-Perfect-Camping-Fishing/dp/B01EXUV6JG>. Retrieved Aug. 17, 2017. 7 pages.
 Amazon, Orca Pod Cooler Backpack, Blue ORCPODBL, <https://www.amazon.com/Orca-Cooler-Backpack-Blue-ORCPODBL/dp/B014PKBY3W>. Retrieved Oct. 14, 2016. 6 pages.
 Artic Zone, 24 Can Cooler Backpack, <http://arcticzone.com/catalog/product/24-can-cooler-back-pack/>. Retrieved Aug. 16, 2017. 3 pages.
 Runnings warehouse, Esky 30 Can Hybrid Cooler With Ice Brick, https://www.bunnings.com.au/esky-30-can-hybrid-cooler-with-ice-brick_p3240507. Retrieved Aug. 16, 2017. 2 pages.
 Ebay, Igloo 35 Can Tundra Cooler Bad with Antimicrobial Bag Great Outdoor—New, http://www.ebay.com/itm/IGLOO-36-Can-Tundra-Cooler-Bag-With-Antimicrobial-Bag-Great-Outdoor-Cooler-New/322160695025?_trksid=p2047675.c100011.m1850&_trkparms=aid%3D222007%26alg%3DSIC.Mbe%26ao%3D1%26asc%3D37437%26meid%3Dbcf59a843d264514a693e4a431788fa6%26pid%3D100011%26rk%3D2%26rkt%3D5%26sd%3D221450956819. Retrieved Aug. 16, 2017. 3 pages.
 Ebay, Openbox Picnic Time Zuma Insulated Cooler Backpack Black, https://www.ebay.com/p/Openbox-Picnic-Time-Zuma-Insulated-Cooler-Backpack-Black/691169840?_trksid=p2047675.m4097.19055. Retrieved Aug. 16, 2017. 8 pages.
 Ebay, Picnic Time ‘Zuma’ Insulated Cooler Backpack Black. https://www.ebay.com/sch/sis/html?_itemld=291849751107&_nkw=Picnic+Time+Zuma. Retrieved Aug. 16, 2004 11 pages.
 Groupon Goods, Polar Pack 24-Can Insulated Cooler, <https://www.groupon.com/dealsigg-24-can-double-cooler>, Retrieved Aug. 16, 2017. 2 pages.
 Polar Bear Coolers, H2O Waterproof Backpack Cooler, <http://www.polarbearcoolers.com/product/backpack-H20.html>. Retrieved Aug. 17, 2017. 15 pages.
 Rakuten Global Market, Cooler bag Nike thermos cooler box insulated bag leisure bag Nike/Sports Cooler 5 I REE-005N 05P. https://global.rakuten.com/en/store/kanerin/iterninkree005n/?s-id=borderless_recommend_item_en. Dated May 30, 2015. 15 pages.
 RTIC SoftPak 20, <https://www.rticcoolers.com/shop/coolers/softpak/Rtic-SoftPak-20-Grey>, Retrieved Oct. 24, 2016. 15 pages.
 Shmukler, New body-sized YETI cooler, Rambler bottles and a bigger Hopper, <http://www.hatchmag.com/articles/new-body-sized-yeti-cooler-rambler-bottles-and-bigger-hopper/7713454>. Hatch Magazine—Fly Fishing, etc., Feb. 1, 2016. 12 pages.
 Yeskey, Bag Supplier, Top Sale Camping Cooler bag, lunch bag, cooler bag, http://www.yeskey.com/space/Anderson2725/products_info/Top-Sale-Camping-Cooler-bag-lunch-bag-cooler-bag-166081.html. Retrieved Aug. 16, 2017. 2 pages.
 YETI, Hopper Backflip 24, <https://www.yeti.com/hopper-backflip-241YHOPBF24.html>, Apr. 10, 2018.

* cited by examiner

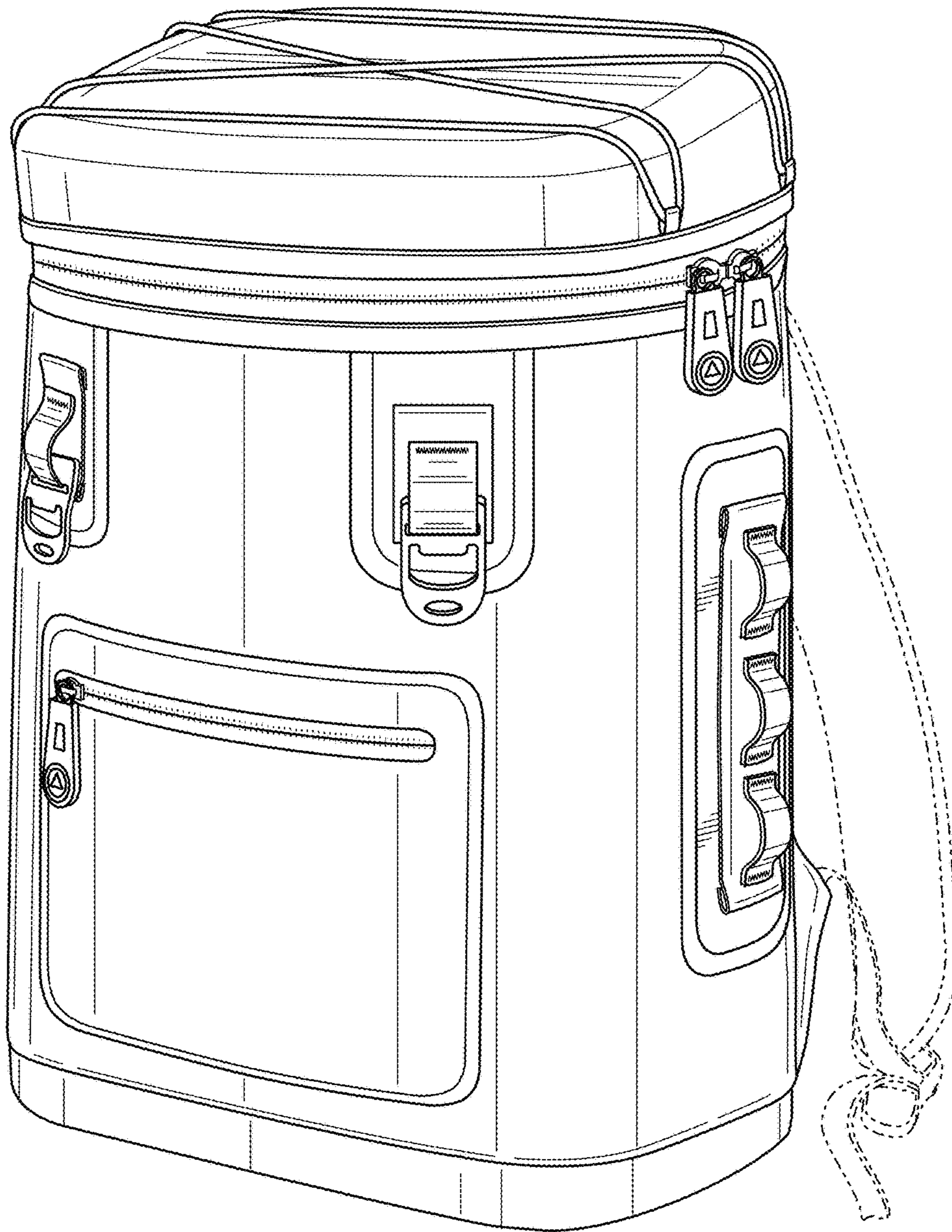


FIG. 1

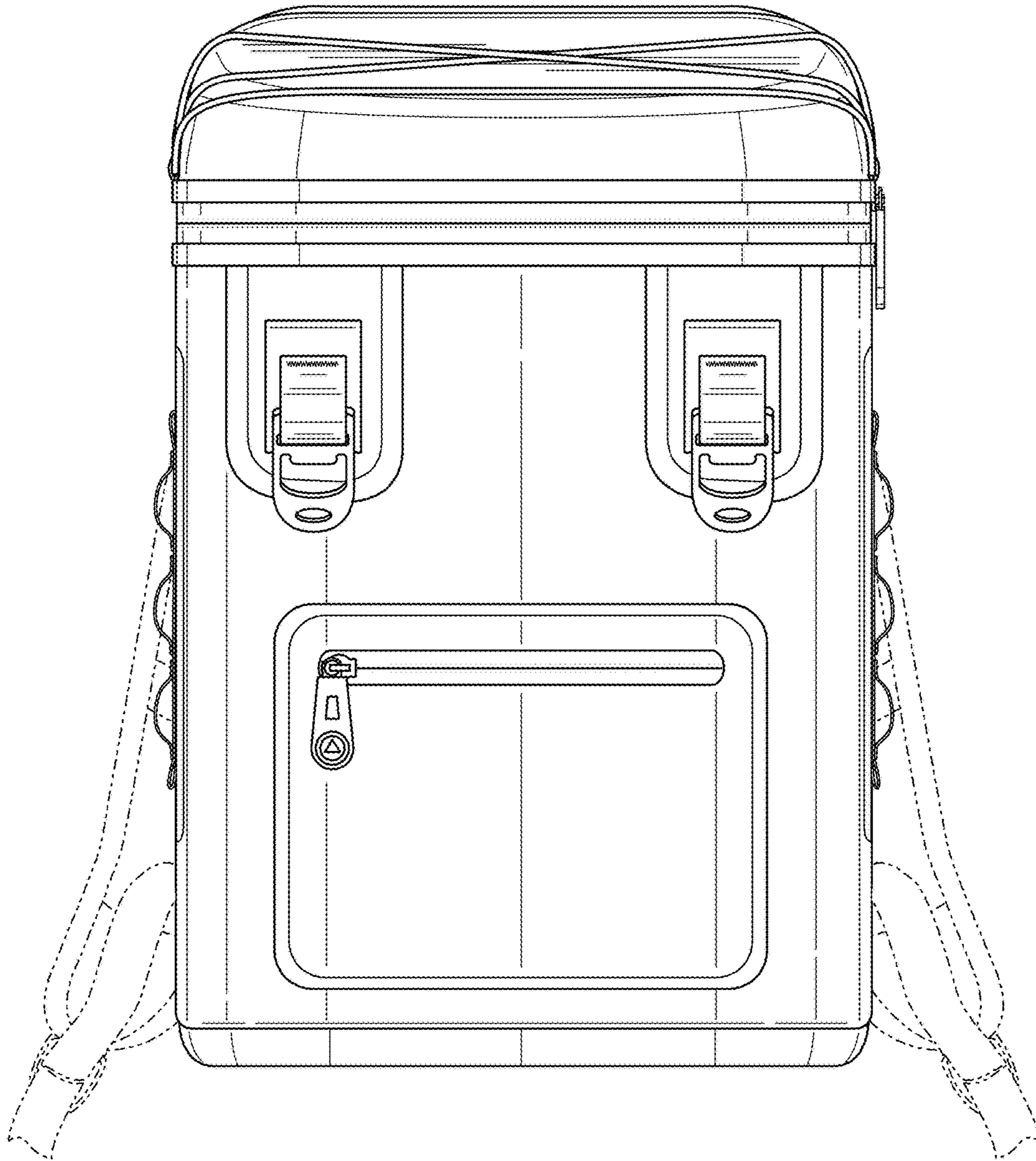


FIG. 2

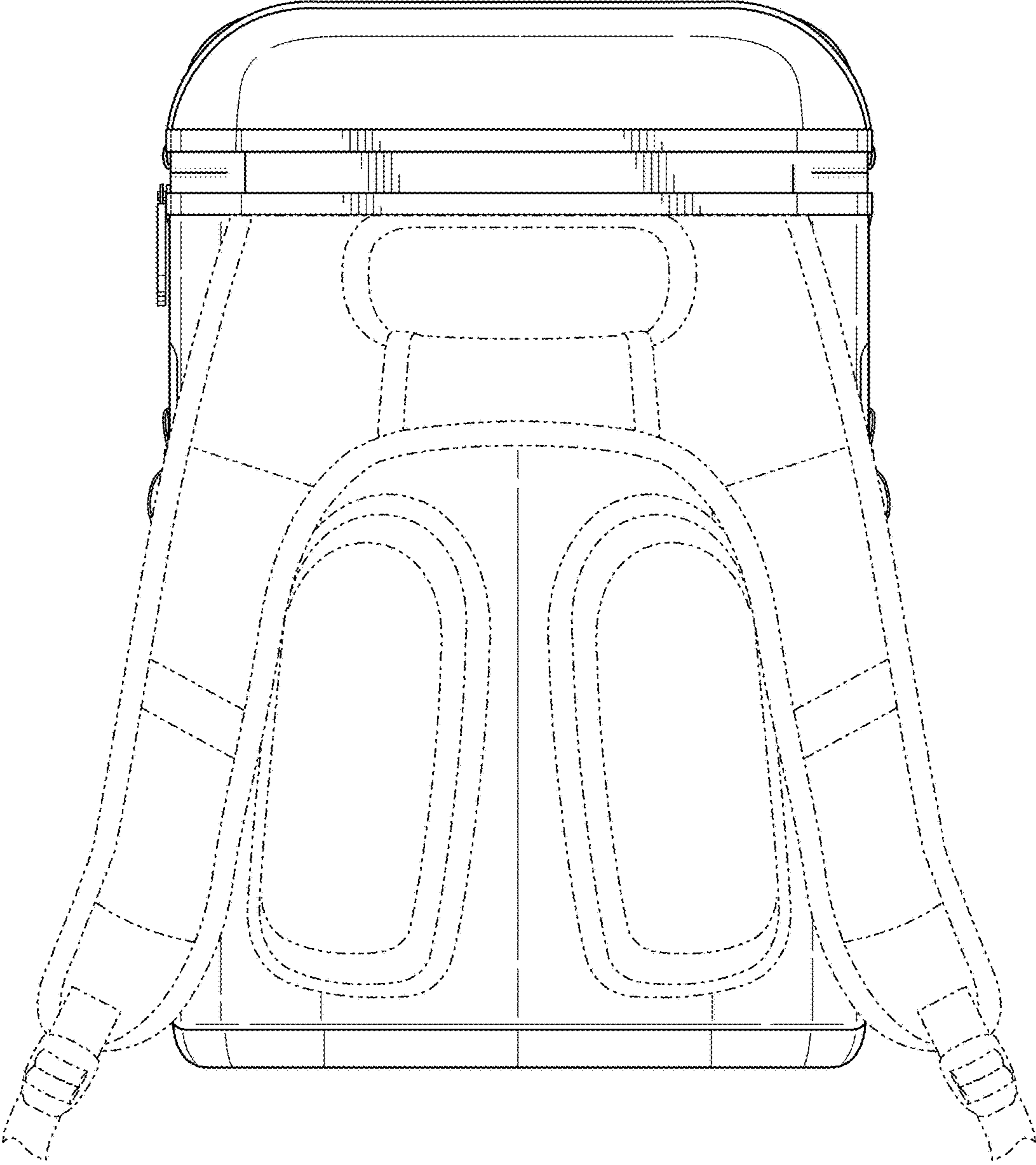


FIG. 3

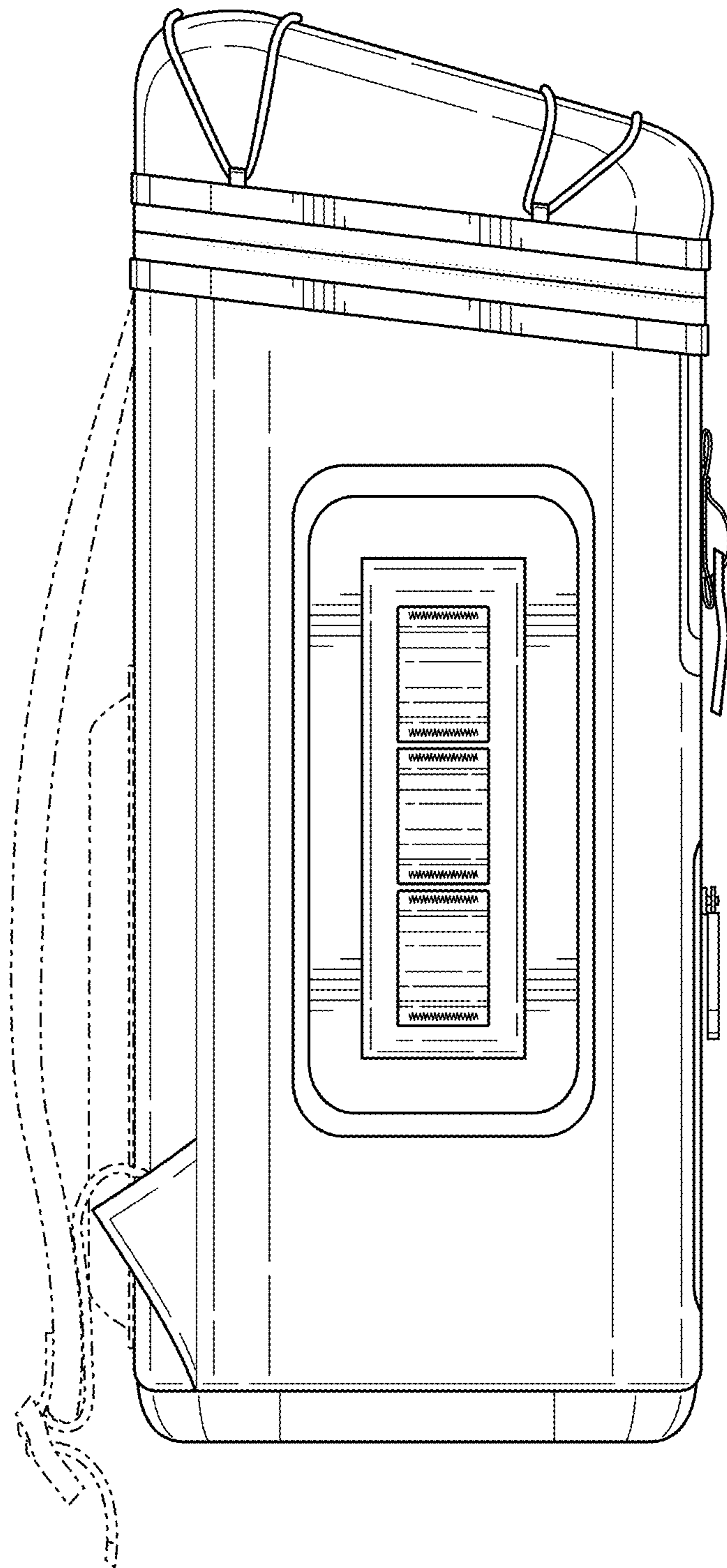


FIG. 4

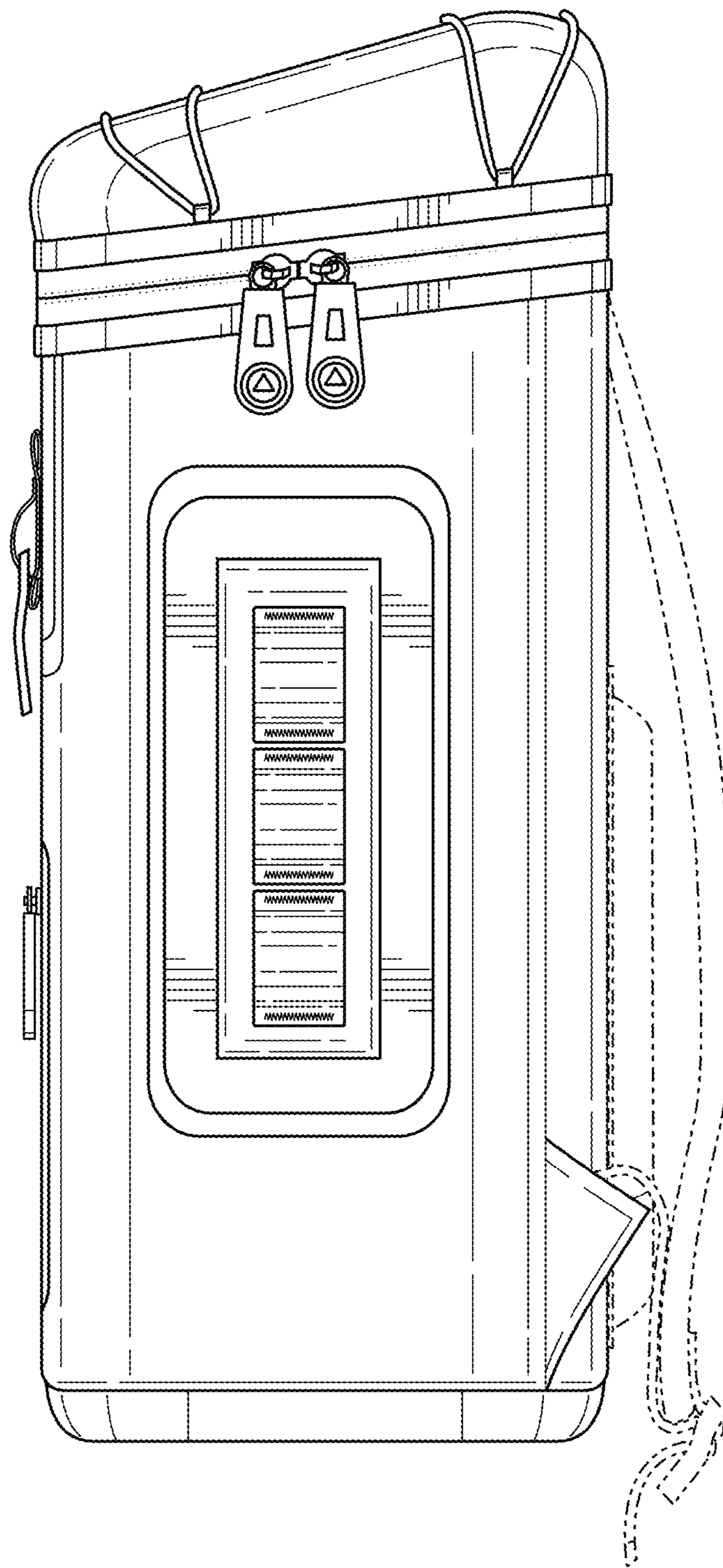


FIG. 5

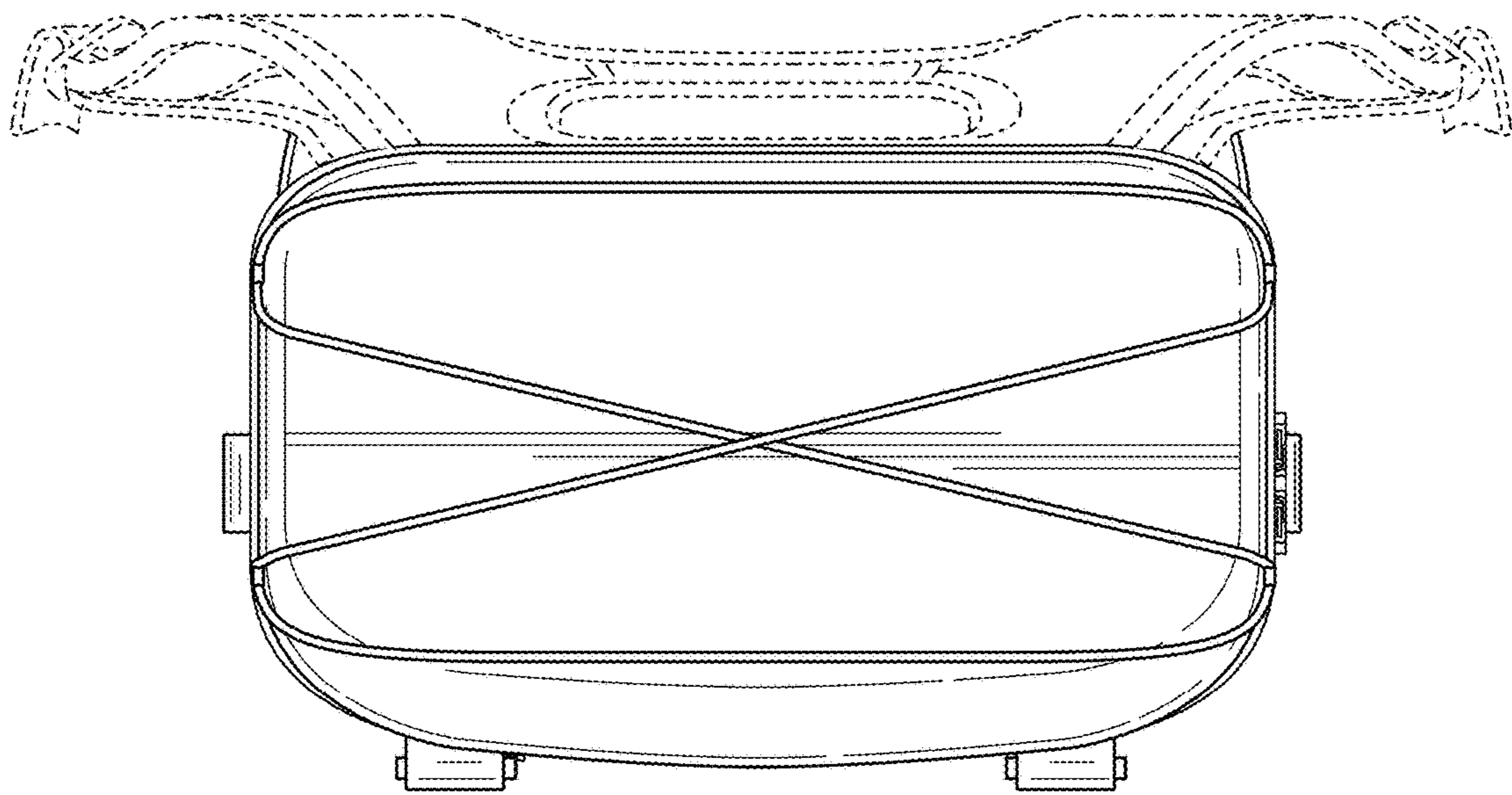


FIG. 6

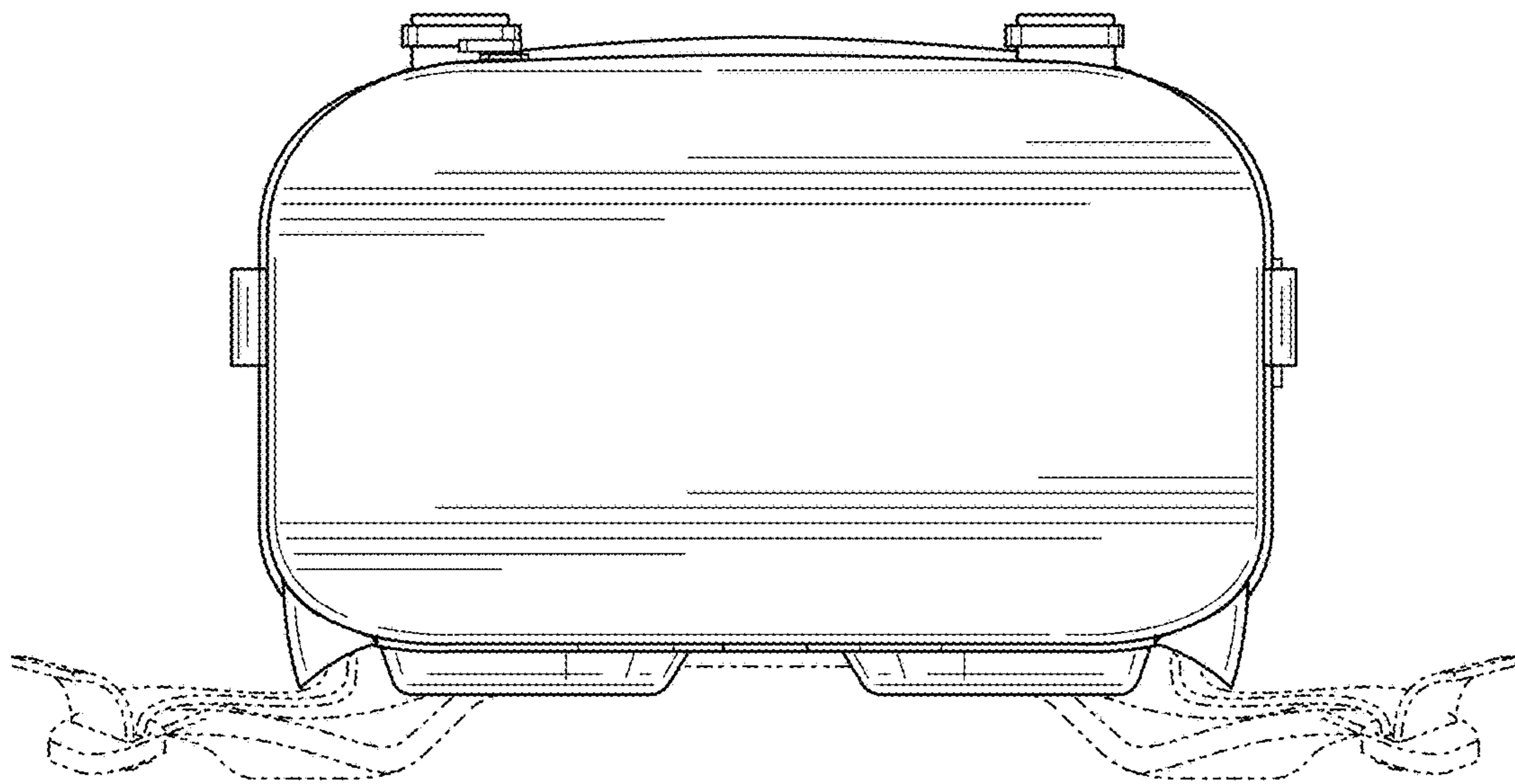


FIG. 7