

US00D834894S

(12) **United States Design Patent** (10) **Patent No.:** **US D834,894 S**  
**Allen et al.** (45) **Date of Patent:** **\*\* Dec. 4, 2018**

(54) **INSERTABLE TRAY**  
(71) Applicants: **Ralph Allen**, Grand Haven, MI (US);  
**Matt Hintz**, Grand Haven, MI (US)  
(72) Inventors: **Ralph Allen**, Grand Haven, MI (US);  
**Matt Hintz**, Grand Haven, MI (US)  
(73) Assignee: **TRAYCUPS LLC**, Grand Haven, MI  
(US)  
(\*\*) Term: **15 Years**  
(21) Appl. No.: **29/611,017**  
(22) Filed: **Jul. 18, 2017**  
(51) **LOC (11) Cl.** ..... **07-01**  
(52) **U.S. Cl.**  
USPC ..... **D7/554.2**  
(58) **Field of Classification Search**  
USPC ..... D7/500, 505, 550.1, 553.1, 553.2, 553.6,  
D7/554.2, 553-553.8  
CPC .... B65D 21/00; B65D 21/0204; A47G 19/02;  
A47G 23/06; A47G 23/0641; A47J 43/00;  
A47J 47/14  
See application file for complete search history.

6,533,233 B2 \* 3/2003 Thomas ..... B60N 3/103  
206/217  
6,651,836 B1 \* 11/2003 Hofheins ..... A47G 19/06  
206/562  
6,732,990 B2 \* 5/2004 Hudson ..... B60N 3/002  
206/503  
D508,373 S \* 8/2005 Corrieri ..... D7/553.6  
D581,740 S \* 12/2008 Ingle ..... D7/549  
D592,813 S \* 5/2009 Newsome ..... D30/129  
D611,340 S \* 3/2010 Bizzell ..... D7/540  
D623,019 S \* 9/2010 Wildman ..... D7/554.2  
D655,136 S \* 3/2012 Goodman ..... D7/553.6  
D701,430 S \* 3/2014 Hohnstein ..... D7/553.8  
D719,787 S \* 12/2014 Seegars ..... D7/553.6  
D740,615 S \* 10/2015 Shoshan ..... D7/553.2  
D769,132 S \* 10/2016 Tilahun ..... D9/737  
D770,857 S \* 11/2016 Davidson, IV ..... D7/553.6  
D773,940 S \* 12/2016 Tilahun ..... D9/737  
D808,222 S \* 1/2018 Shames ..... D7/554.2  
D809,934 S \* 2/2018 Shoshan ..... D9/737  
D815,926 S \* 4/2018 Lee ..... D7/682  
D819,408 S \* 6/2018 Floco ..... D7/553.6  
2009/0120832 A1 \* 5/2009 Munden ..... A47G 23/0625  
206/561

\* cited by examiner

*Primary Examiner* — Kelley Donnelly  
(74) *Attorney, Agent, or Firm* — Varnum, Riddering,  
Schmidt & Howlett LLP

(56) **References Cited**  
U.S. PATENT DOCUMENTS

5,135,195 A \* 8/1992 Dane ..... B60N 3/103  
248/310  
D366,395 S \* 1/1996 Wyatt ..... D7/552.2  
D404,218 S \* 1/1999 Sussman ..... D6/406.5  
5,954,195 A \* 9/1999 Krueger ..... A47G 19/065  
206/217  
6,036,020 A \* 3/2000 Distler ..... A47G 23/06  
206/217  
6,113,049 A \* 9/2000 Miljanich ..... B60N 3/103  
248/311.2  
6,264,026 B1 \* 7/2001 Bradley ..... A47G 19/065  
206/217

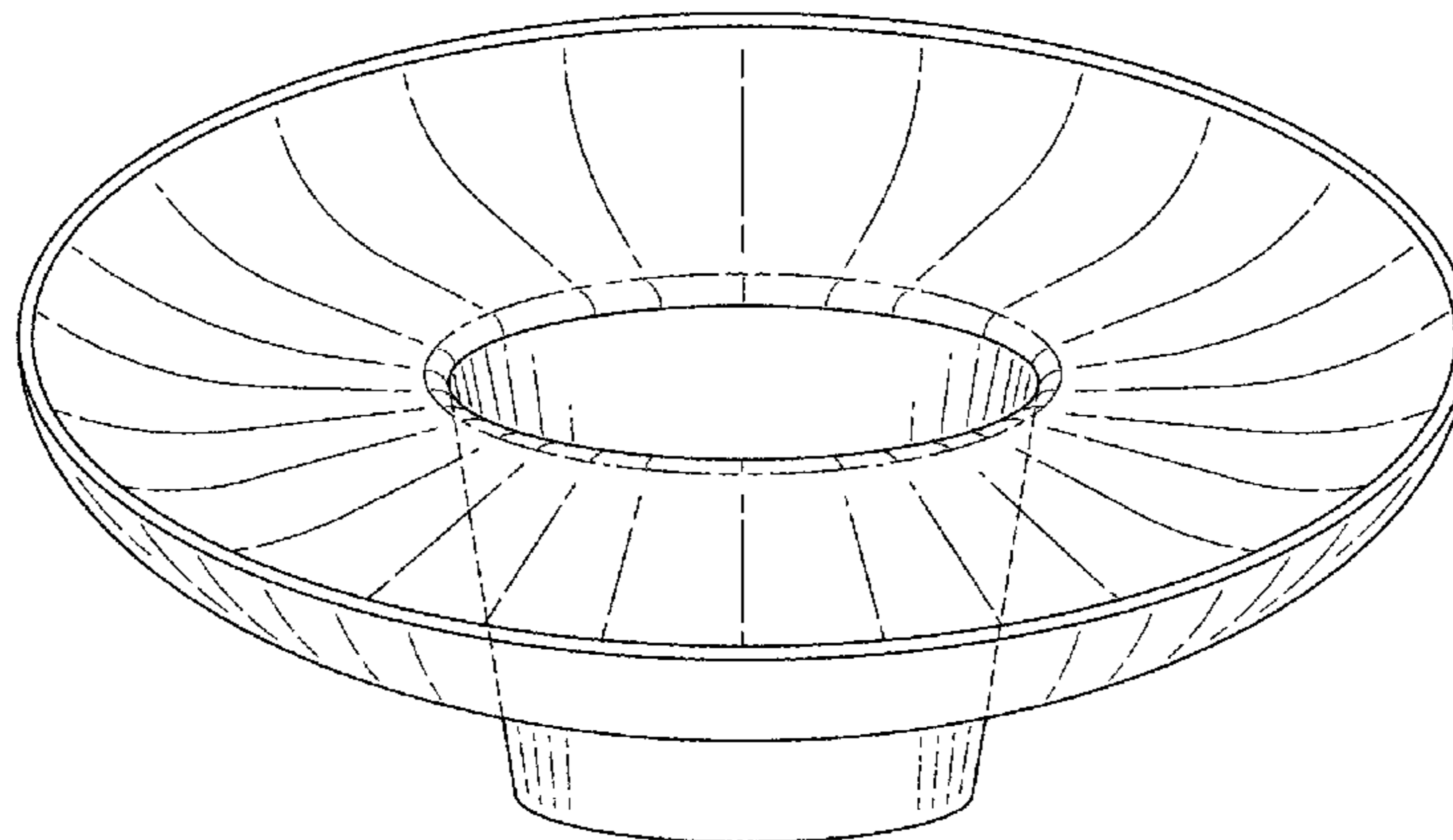
(57) **CLAIM**

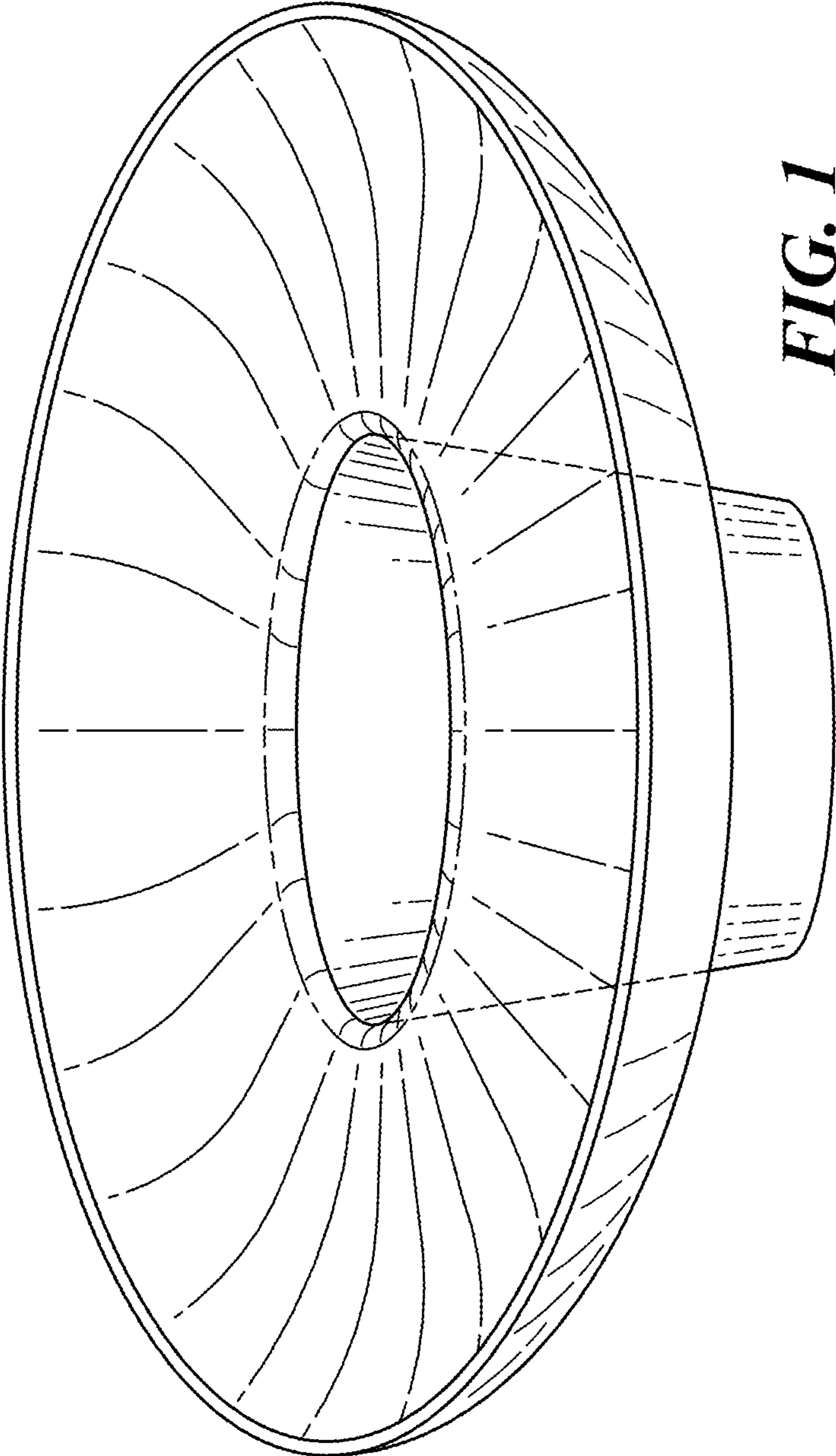
We claim the ornamental design for the insertable tray, as shown and described.

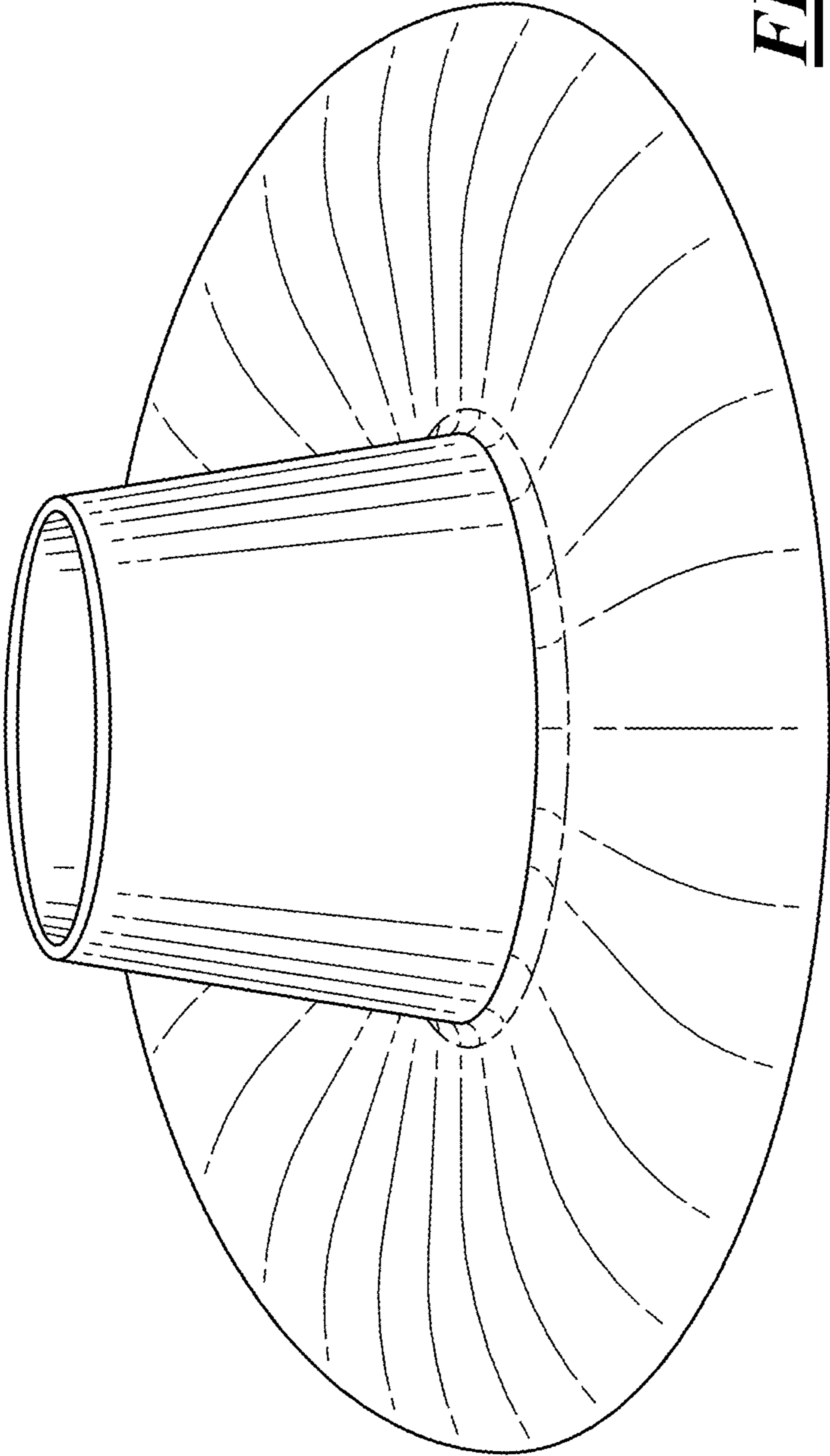
**DESCRIPTION**

FIG. 1 is a top perspective view of an insertable tray;  
FIG. 2 is a bottom perspective view of an insertable tray;  
FIG. 3 is a side view of an insertable tray;  
FIG. 4 is a top view of an insertable tray; and,  
FIG. 5 is an bottom view of an insertable tray.

**1 Claim, 5 Drawing Sheets**







**FIG. 2**

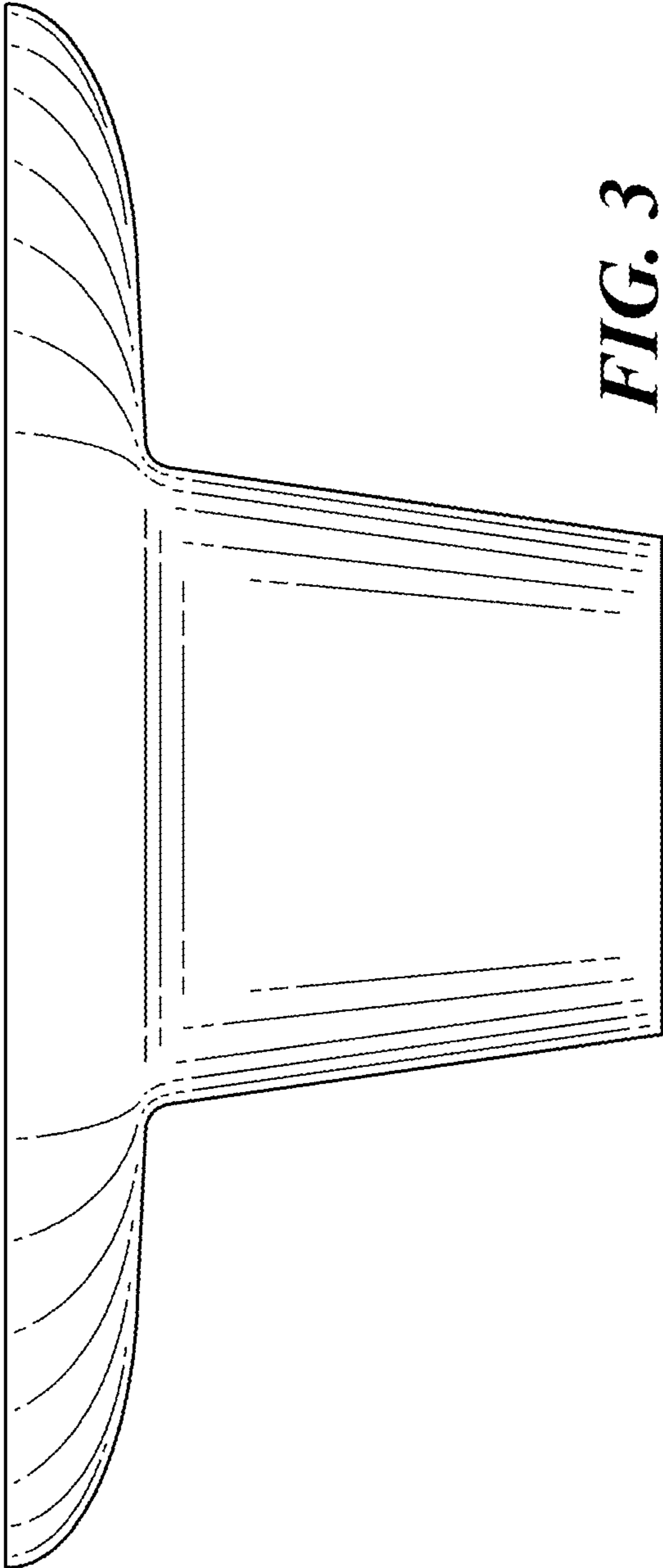
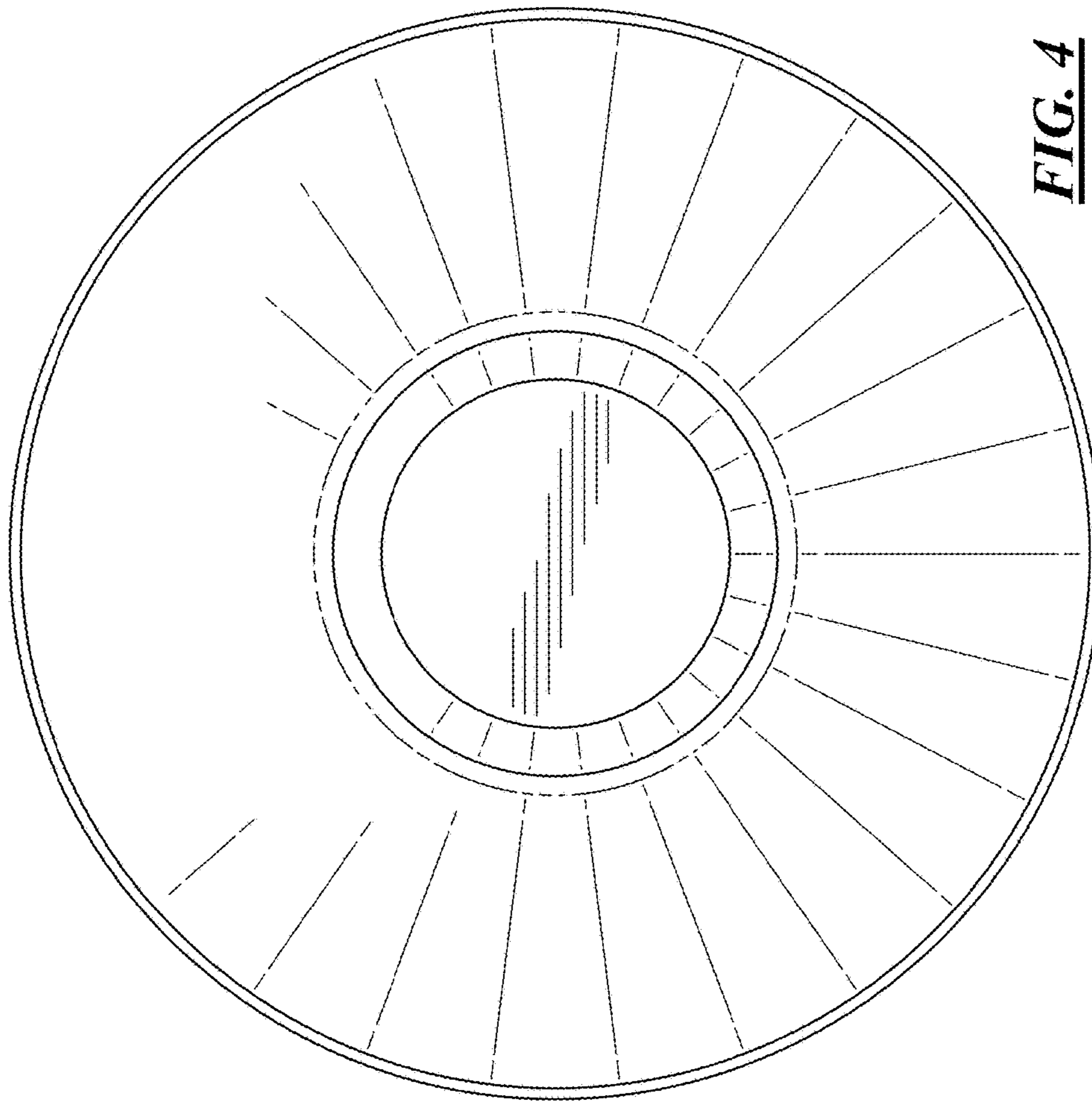
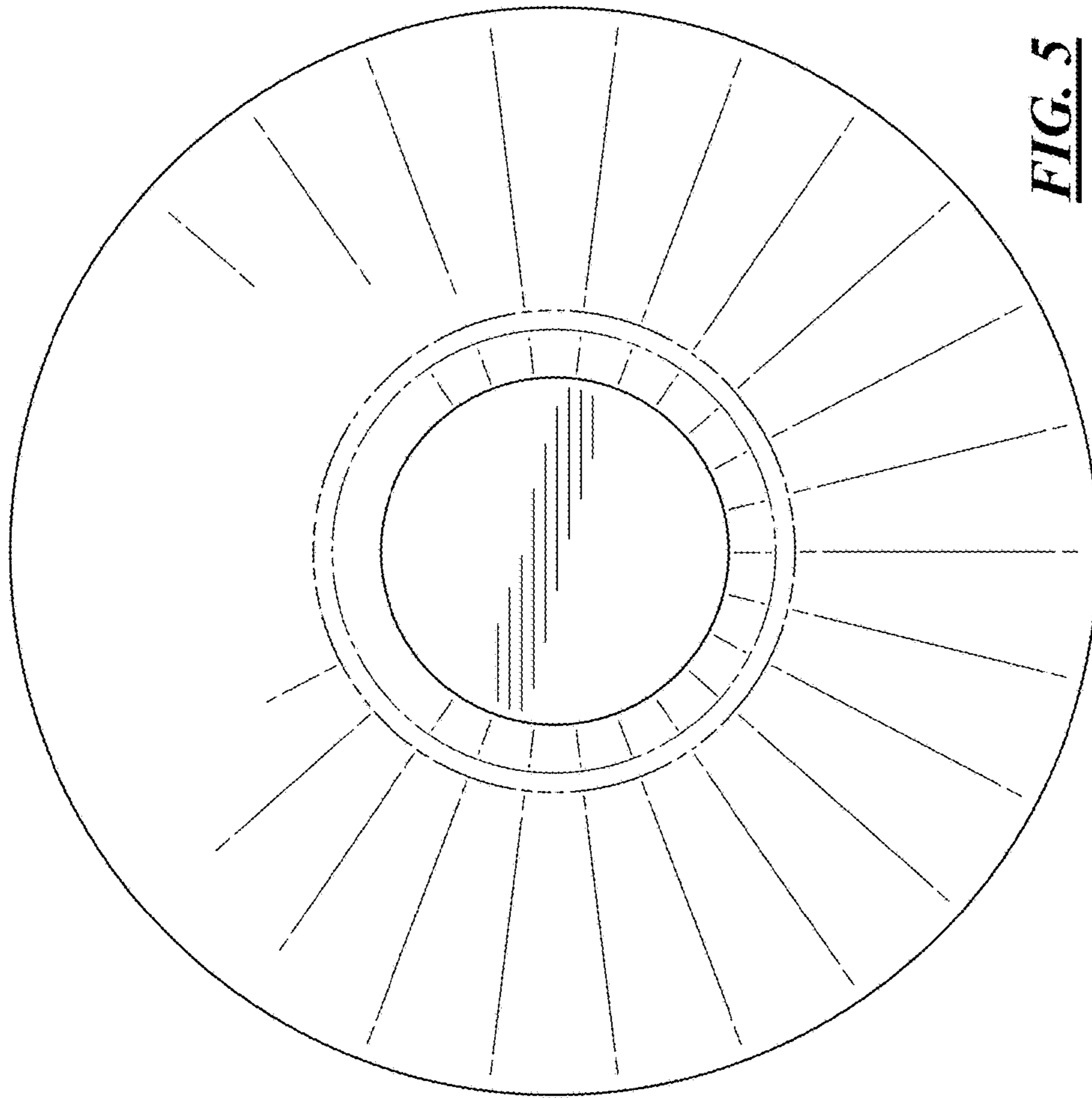


FIG. 3



**FIG. 4**



**FIG. 5**