

US00D834893S

(12) **United States Design Patent**
Kase

(10) **Patent No.:** **US D834,893 S**

(45) **Date of Patent:** **** Dec. 4, 2018**

(54) **WEARABLE SNACK TRAY**

(71) Applicant: **Deborah Kase**, Las Vegas, NV (US)

(72) Inventor: **Deborah Kase**, Las Vegas, NV (US)

(**) Term: **15 Years**

(21) Appl. No.: **29/598,200**

(22) Filed: **Mar. 23, 2017**

(51) **LOC (11) Cl.** **07-01**

(52) **U.S. Cl.**

USPC **D7/553.4**

(58) **Field of Classification Search**

USPC D7/500, 543, 550.1, 552.1, 552.2, 553.1,
D7/553.2, 553.3, 553.4, 554.3, 555,
D7/601-602, 619.1

CPC ... B65D 1/00; B65D 1/22; B65D 1/34; B65D
1/36

See application file for complete search history.

(56) **References Cited**

U.S. PATENT DOCUMENTS

D250,243 S *	11/1978	Vigue	D7/553.4
D255,752 S *	7/1980	Kallstrom	D7/552.2
D269,218 S *	5/1983	Berman	D3/308
D305,713 S *	1/1990	Seifried	D7/553.4
D317,102 S *	5/1991	Clark	D7/549
D331,307 S *	11/1992	McConnell	D3/308
D390,702 S *	2/1998	Lawton	D3/304

D397,582 S *	9/1998	Sussman	D7/553.4
D550,477 S *	9/2007	Probst	D6/406.5
D800,337 S *	10/2017	Daines	D24/227

* cited by examiner

Primary Examiner — Kelley A Donnelly

(74) *Attorney, Agent, or Firm* — Dunlap Bennett & Ludwig PLLC; Brendan E. Squire

(57) **CLAIM**

The ornamental design for a snack tray, as shown and described.

DESCRIPTION

FIG. 1 is a top front perspective view of the snack tray showing my new design;

FIG. 2 is a front elevation view thereof;

FIG. 3 is a rear elevation view thereof;

FIG. 4 is a top plan view thereof;

FIG. 5 is a bottom plan view thereof.

FIG. 6 is a right elevation view thereof, with the left elevation view being a mirror image thereof; and,

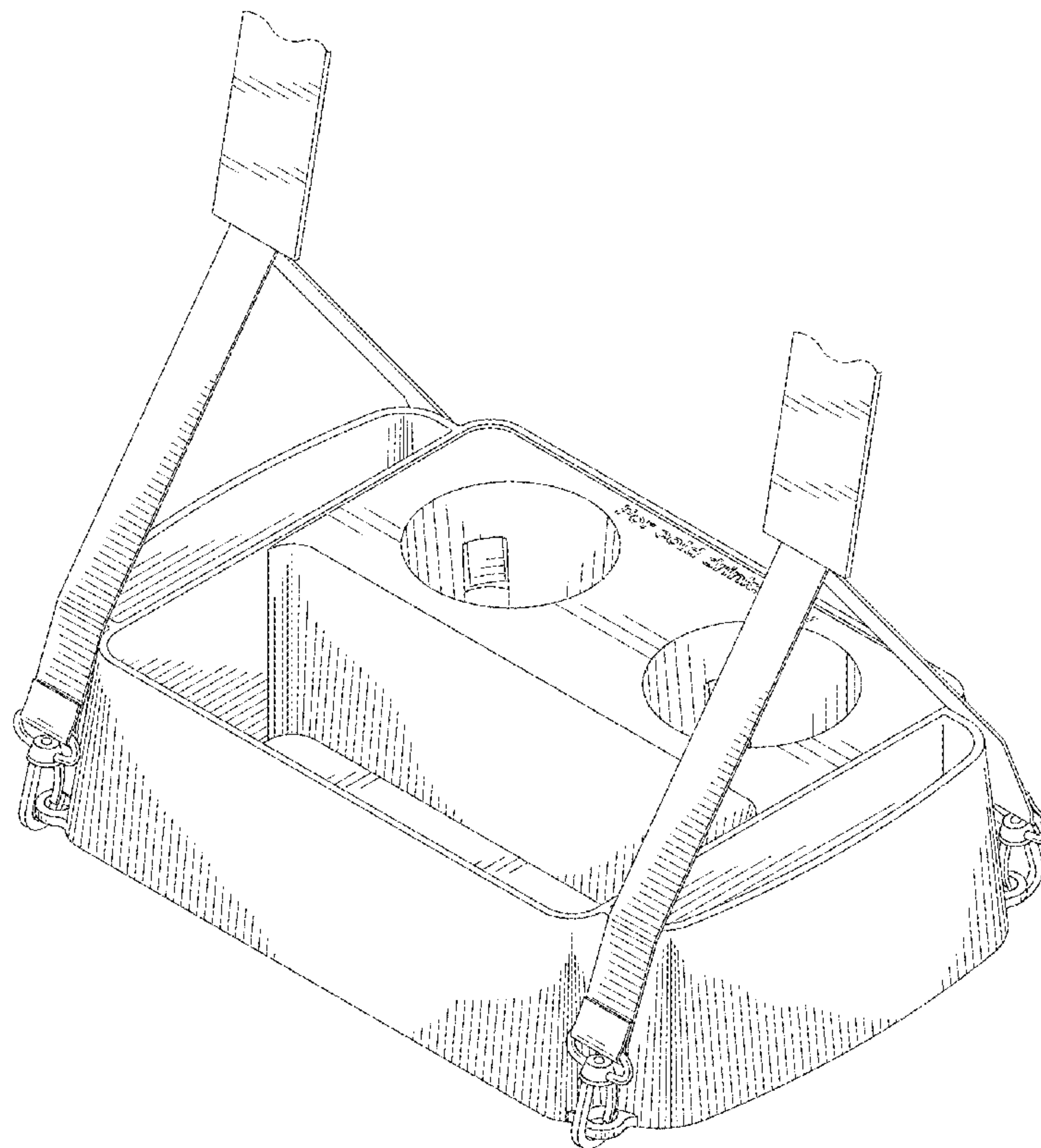
FIG. 7 is a top front perspective view snack tray, shown in use.

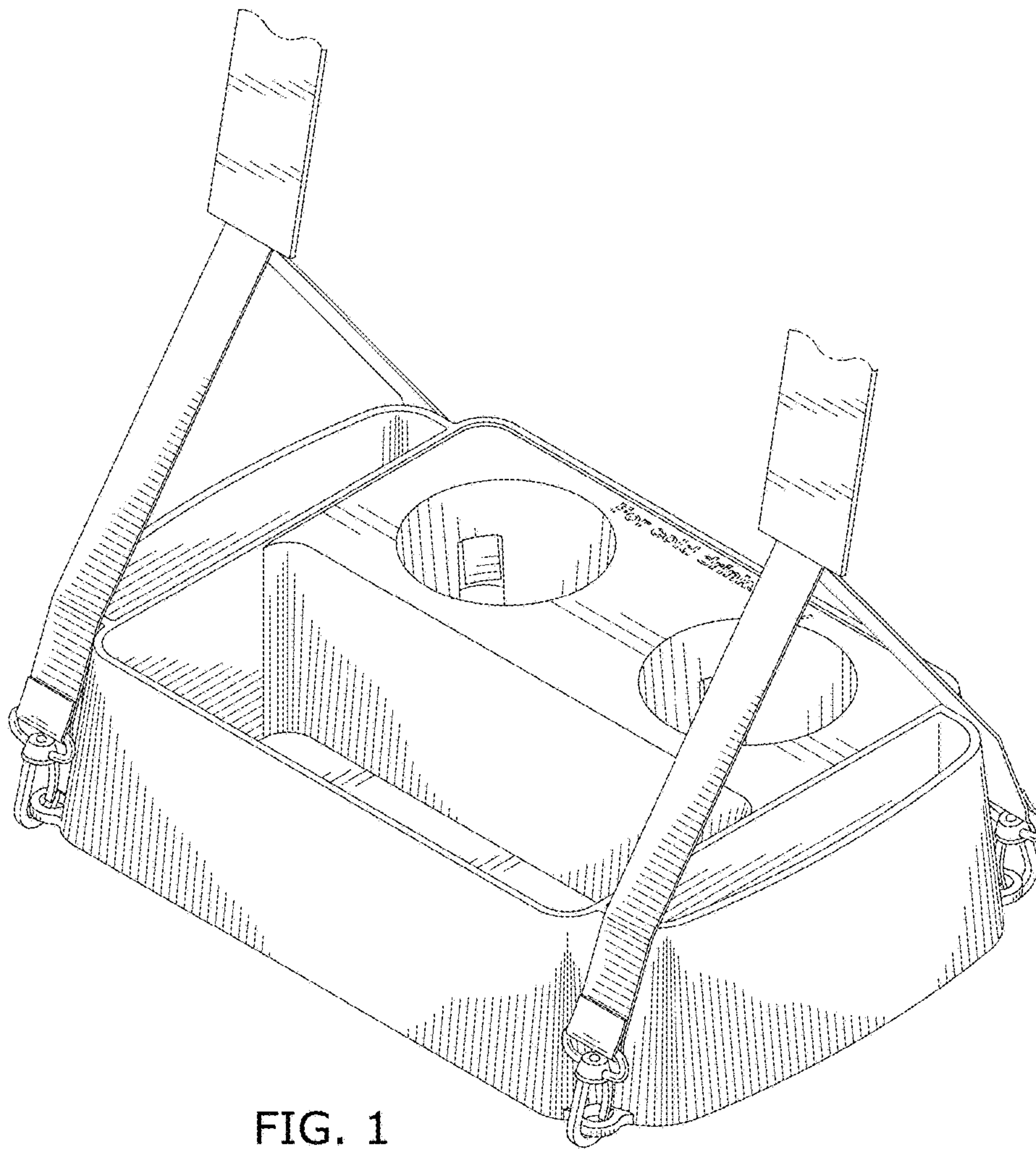
The broken lines shown in the drawings illustrate portions of the snack tray that form no part of the claimed design.

The strap of the snack tray is shown with a symbolic break in its length. The appearance of any portion of the article between the break lines forms no part of the claimed design.

The dot-dash-dot lines in FIG. 5 illustrate a boundary and forms no part of the claim.

1 Claim, 4 Drawing Sheets





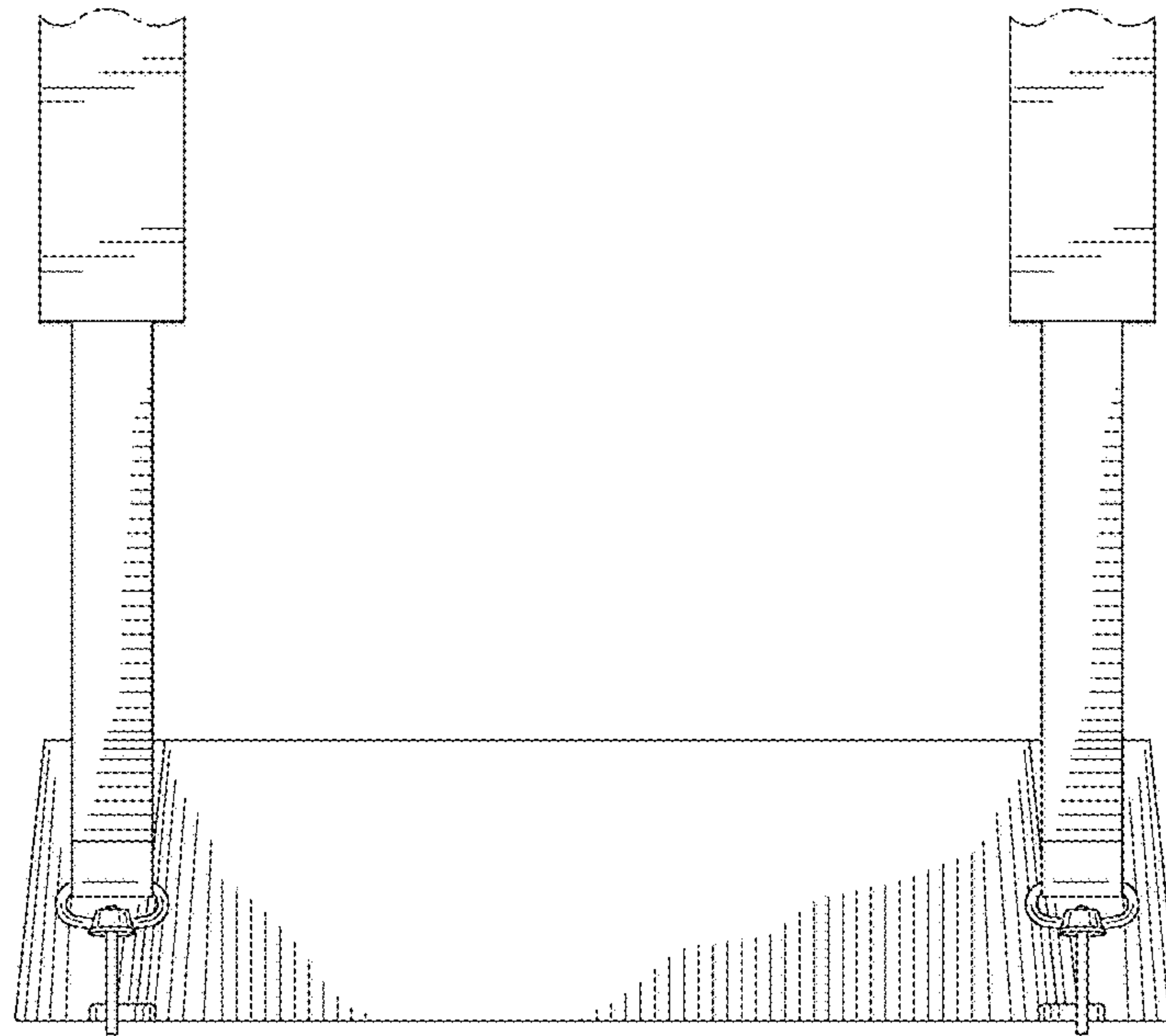


FIG. 2

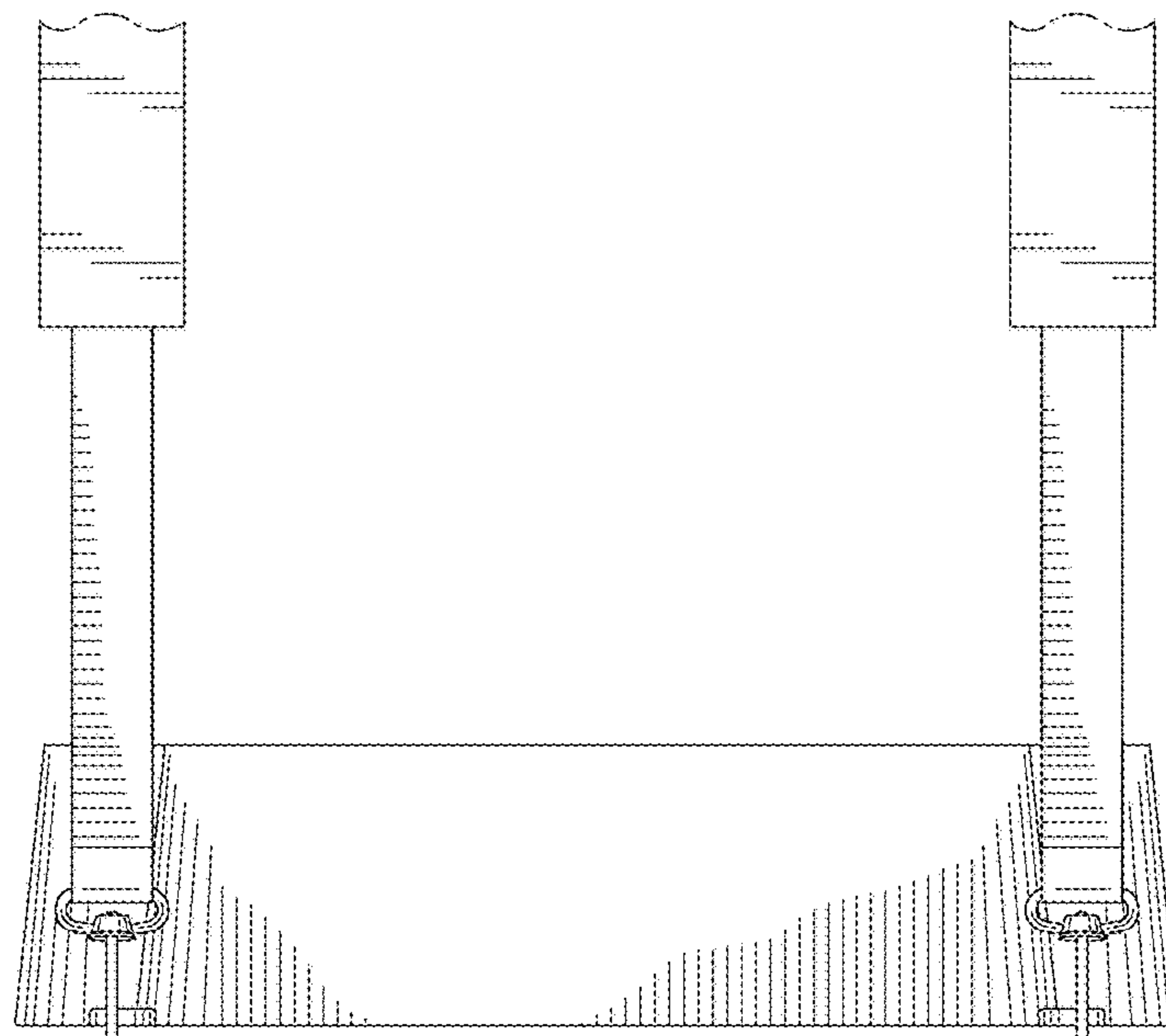


FIG. 3

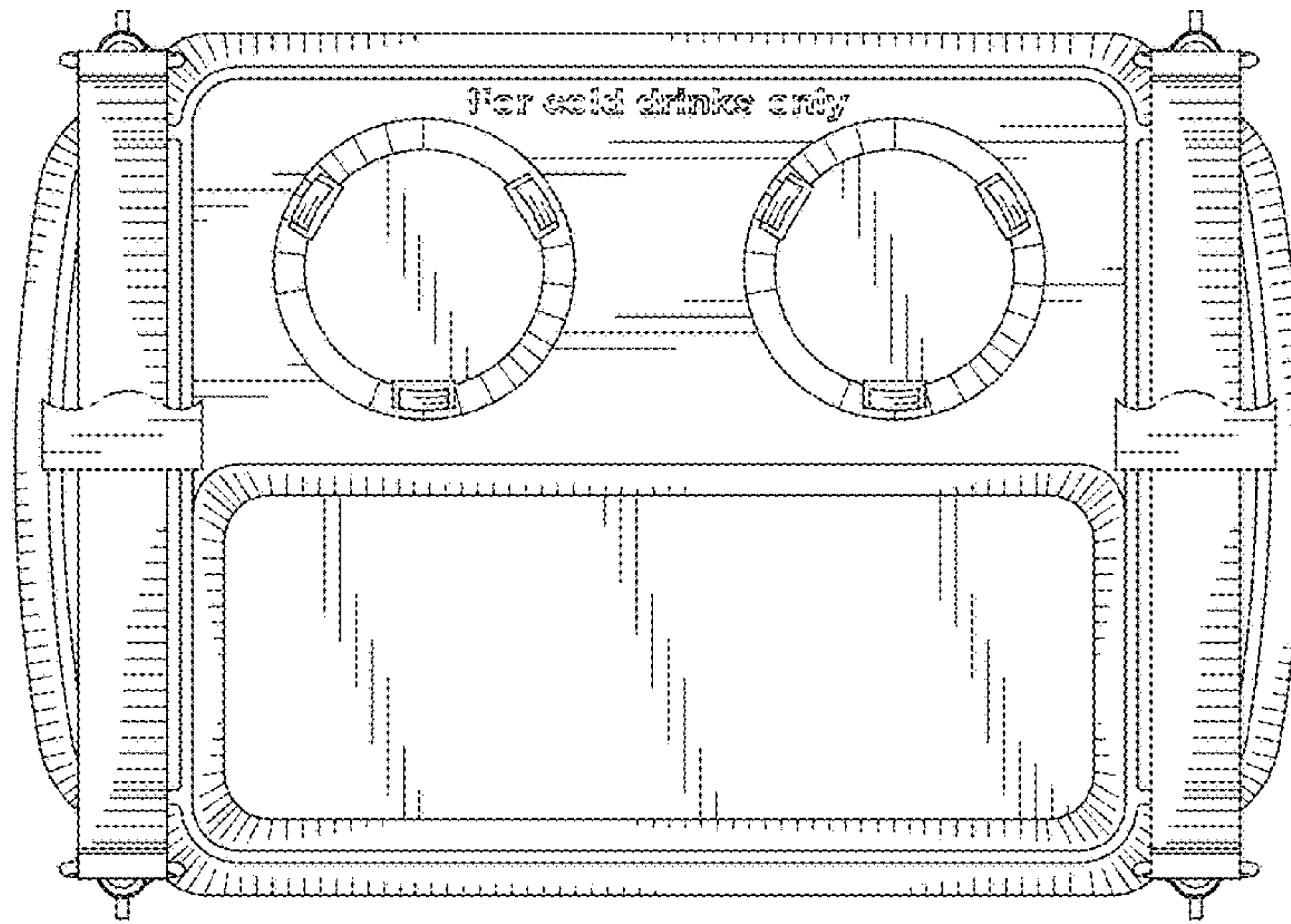


FIG. 4

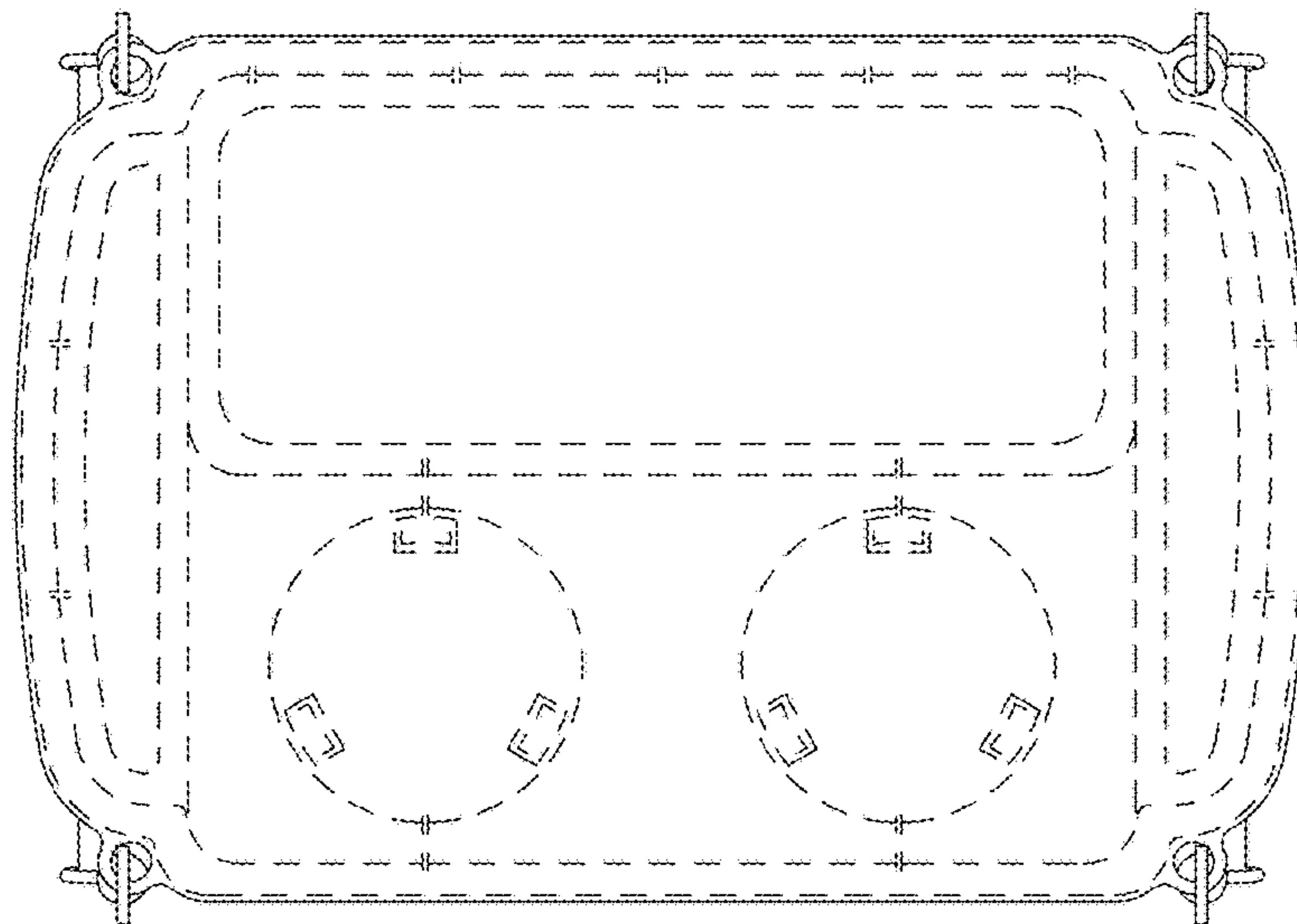


FIG. 5

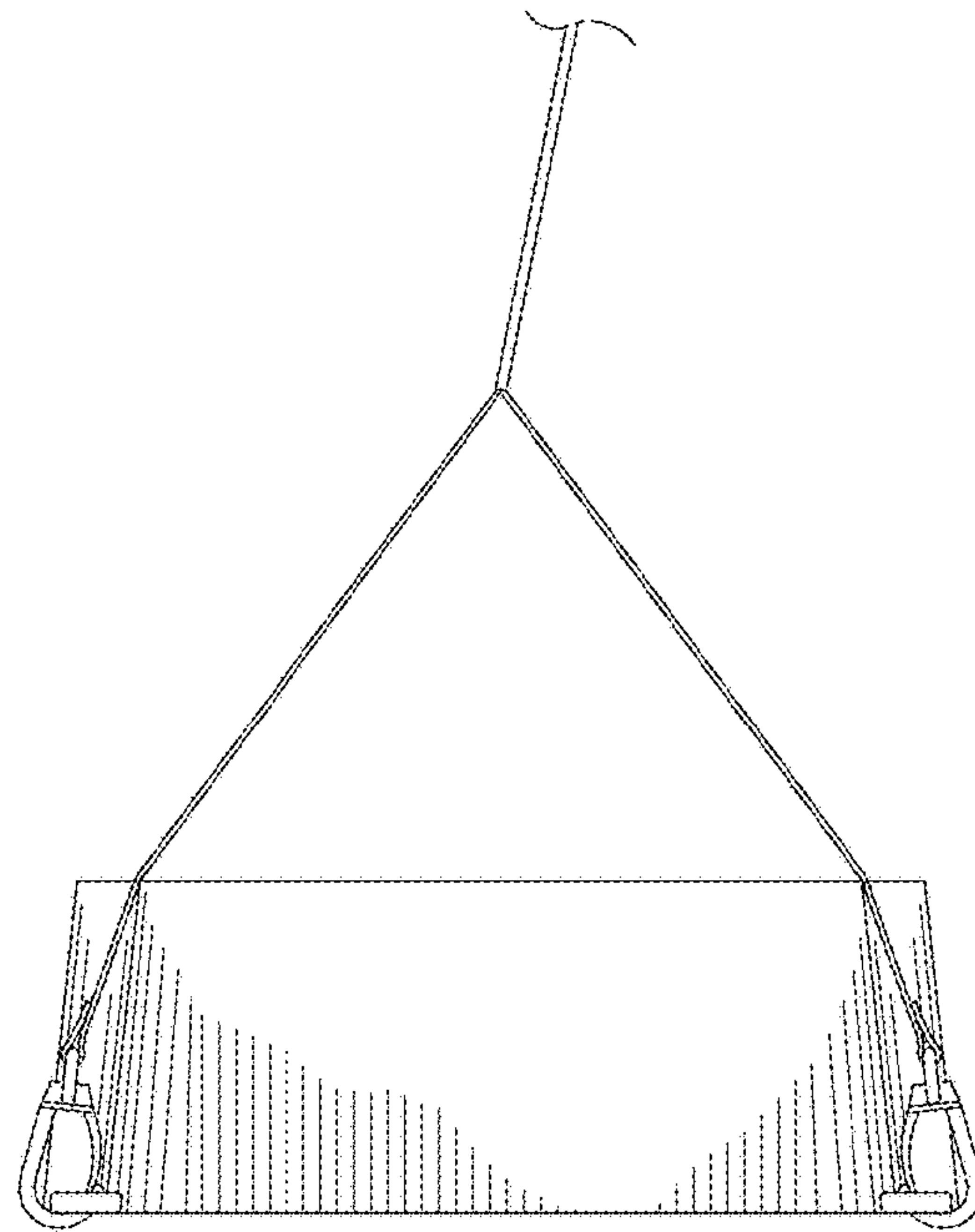


FIG. 6

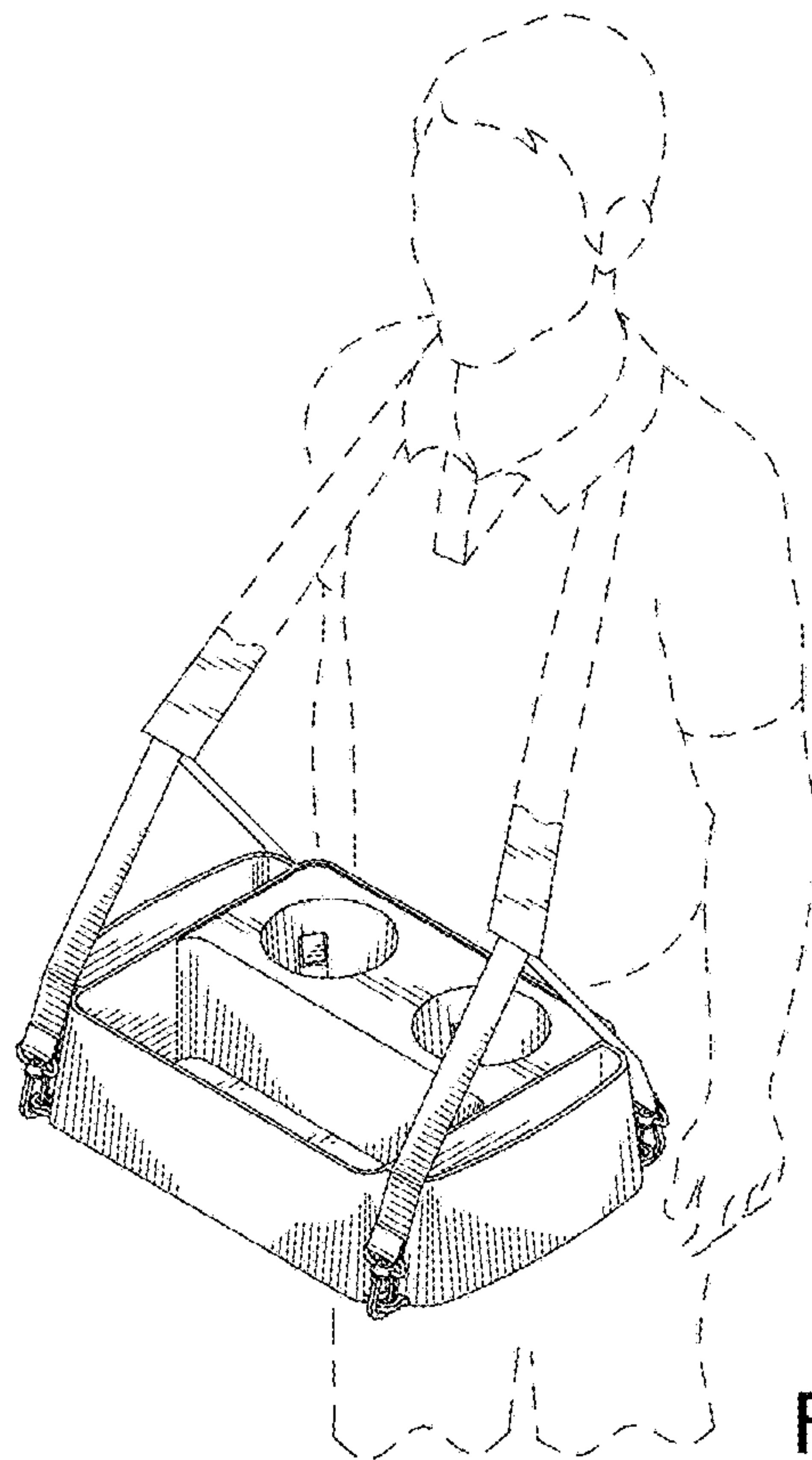


FIG. 7