



US00D834891S

(12) **United States Design Patent** (10) **Patent No.:** **US D834,891 S**
Greenwood (45) **Date of Patent:** **** Dec. 4, 2018**

(54) **TURNTABLE WITH BINS** D609,058 S * 2/2010 Roth D7/602
D613,596 S * 4/2010 Mangapora D7/501
(71) Applicant: **YouCopia Products Inc**, Chicago, IL 7,934,449 B2 * 5/2011 Anderson B65D 1/36
(US) 206/508
D700,478 S * 3/2014 Simmons D7/501
(72) Inventor: **Mark Greenwood**, Arlington Hts., IL D708,257 S * 7/2014 Camarata D19/77
(US) D801,106 S * 10/2017 Mirchandani D7/357
D817,076 S * 5/2018 Dugan A47G 19/065
D7/357

(73) Assignee: **YOUCOPIA PRODUCTS INC.**,
Chicago, IL (US)

* cited by examiner

(**) Term: **15 Years**

Primary Examiner — Cynthia R Underwood

(21) Appl. No.: **29/622,321**

(74) *Attorney, Agent, or Firm* — Lowe Graham Jones
PLLC

(22) Filed: **Oct. 16, 2017**

(57) **CLAIM**

(51) **LOC (11) Cl.** **07-01**
(52) **U.S. Cl.**
USPC **D7/501**

I claim the ornamental design for a turntable with bins, as shown and described.

(58) **Field of Classification Search**
USPC D7/501, 500, 553.6, 554.1, 590, 600.2;
D6/691, 349, 685, 406.6; 211/74, 133.4
CPC A47J 47/16
See application file for complete search history.

DESCRIPTION

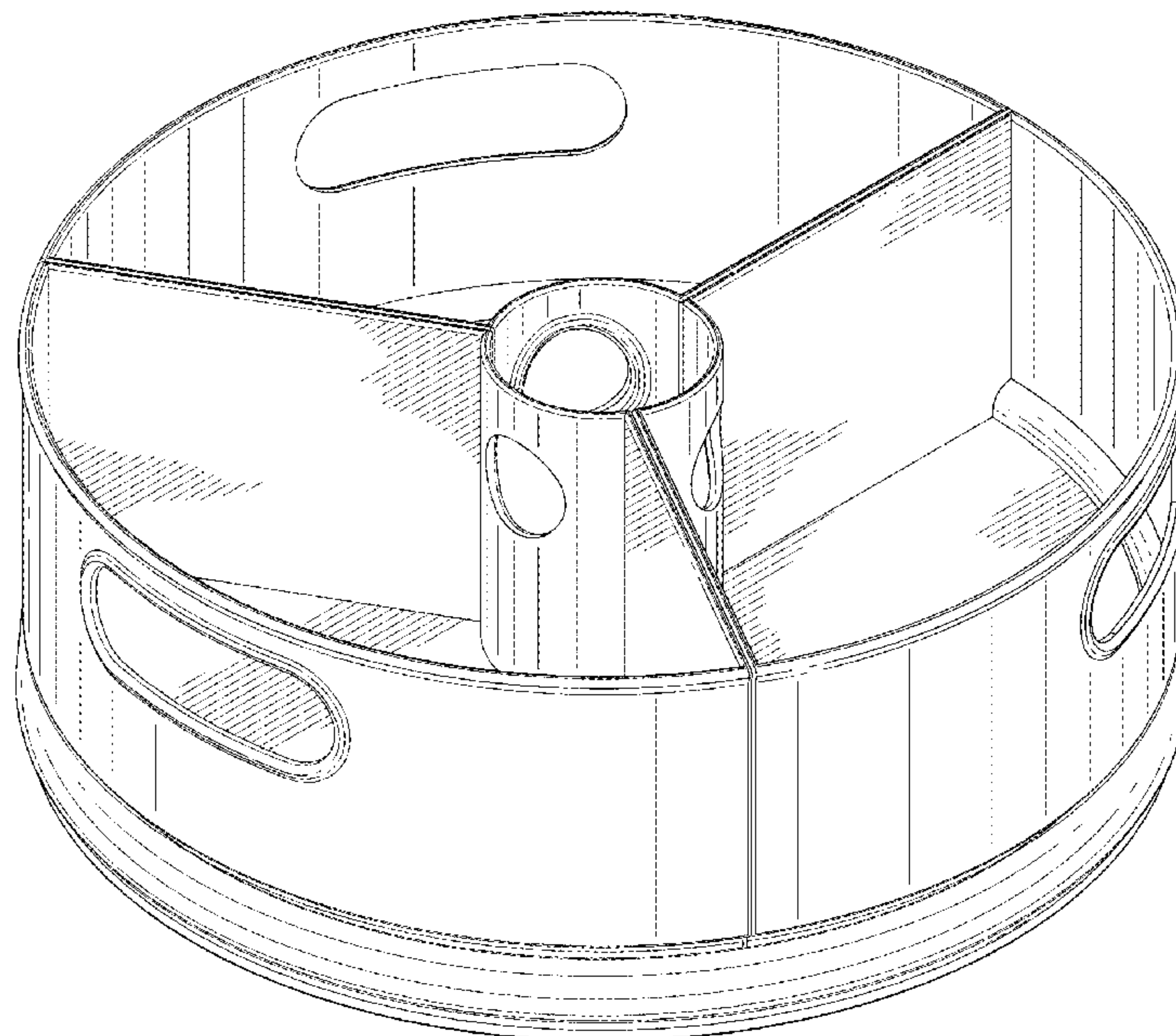
(56) **References Cited**

U.S. PATENT DOCUMENTS

D210,896 S * 4/1968 Heck D7/501
5,441,164 A * 8/1995 Beck A47G 19/06
220/574
5,960,982 A * 10/1999 Perlis A47G 19/065
206/558
D486,991 S * 2/2004 Lee D7/357
D575,986 S * 9/2008 Cetera D7/501
D587,529 S * 3/2009 Pratt D7/553.8

FIG. 1 is a top perspective view of a turntable with bins, showing my new design.
FIG. 2 is a front elevational view of the turntable with bins.
FIG. 3 is a rear elevational view of the turntable with bins.
FIG. 4 is a left side elevational view of the turntable with bins.
FIG. 5 is a right side elevational view of the turntable with bins.
FIG. 6 is a top plan view of the turntable with bins; and,
FIG. 7 is a bottom plan view of the turntable with bins.
Features shown in broken lines form no part of the claimed design.

1 Claim, 7 Drawing Sheets



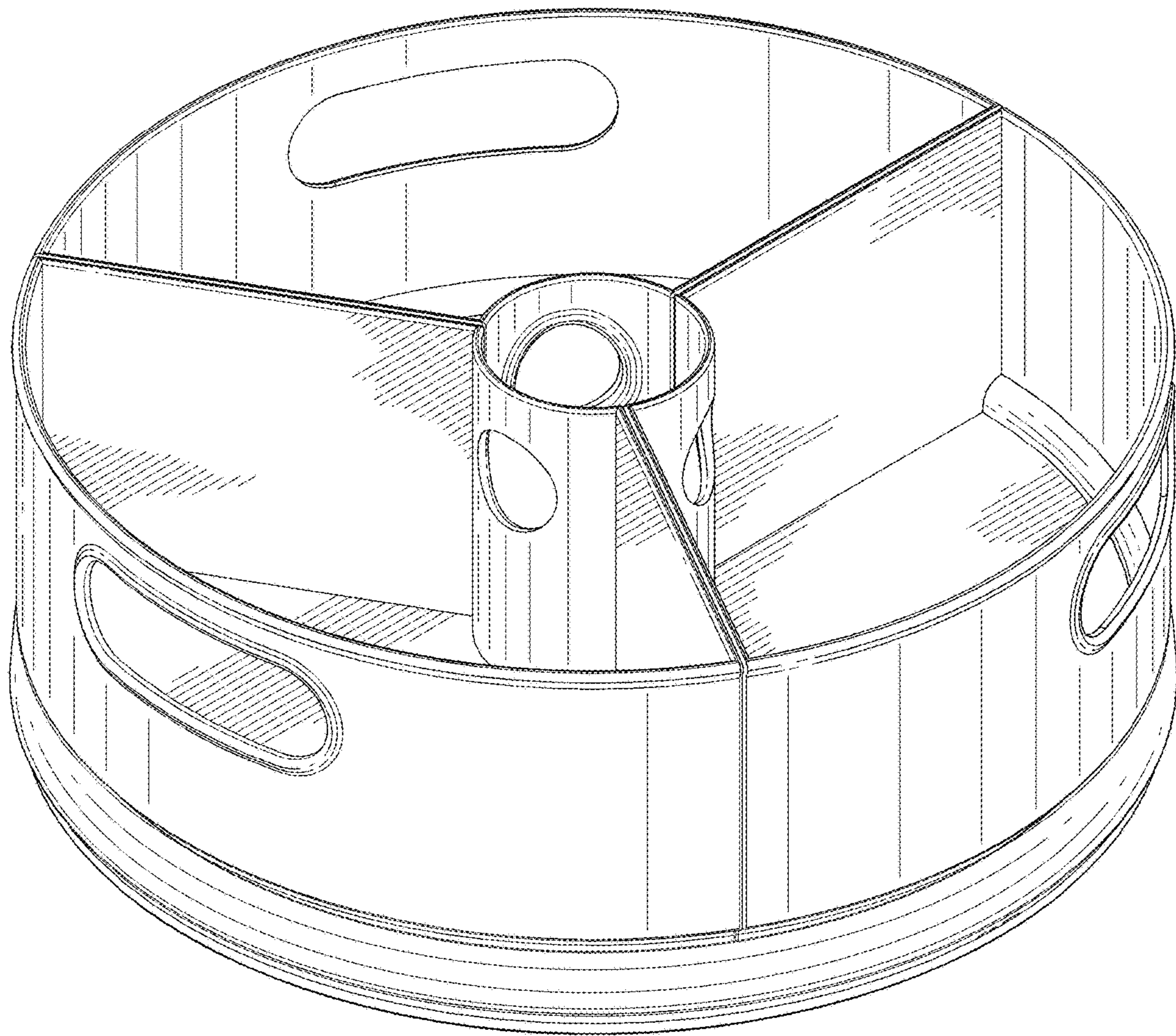


FIG. 1

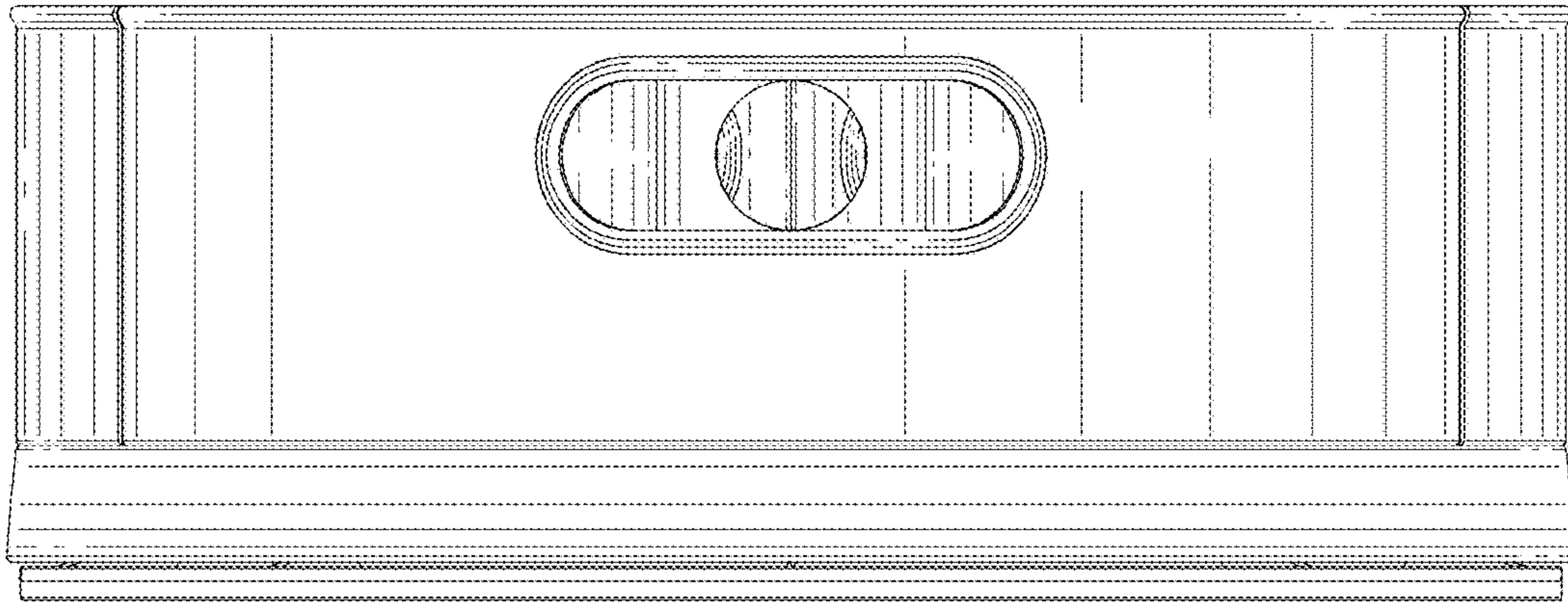


FIG. 2

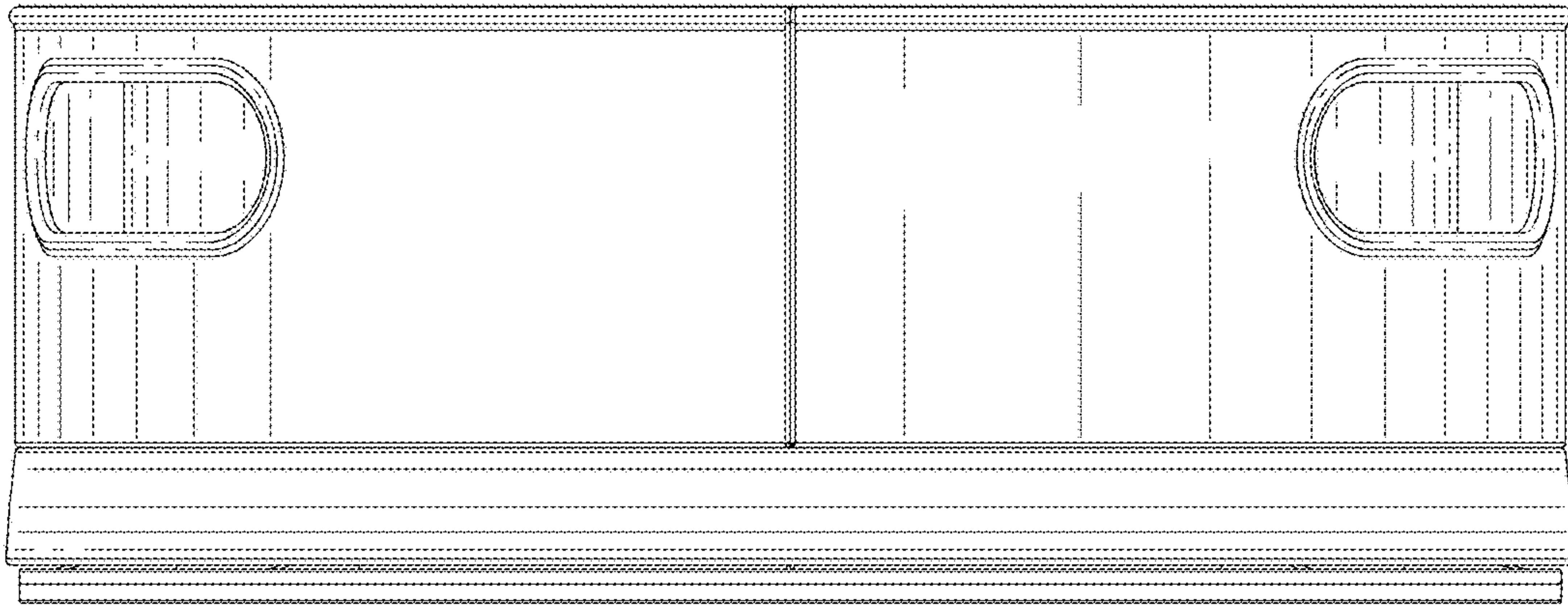


FIG.3

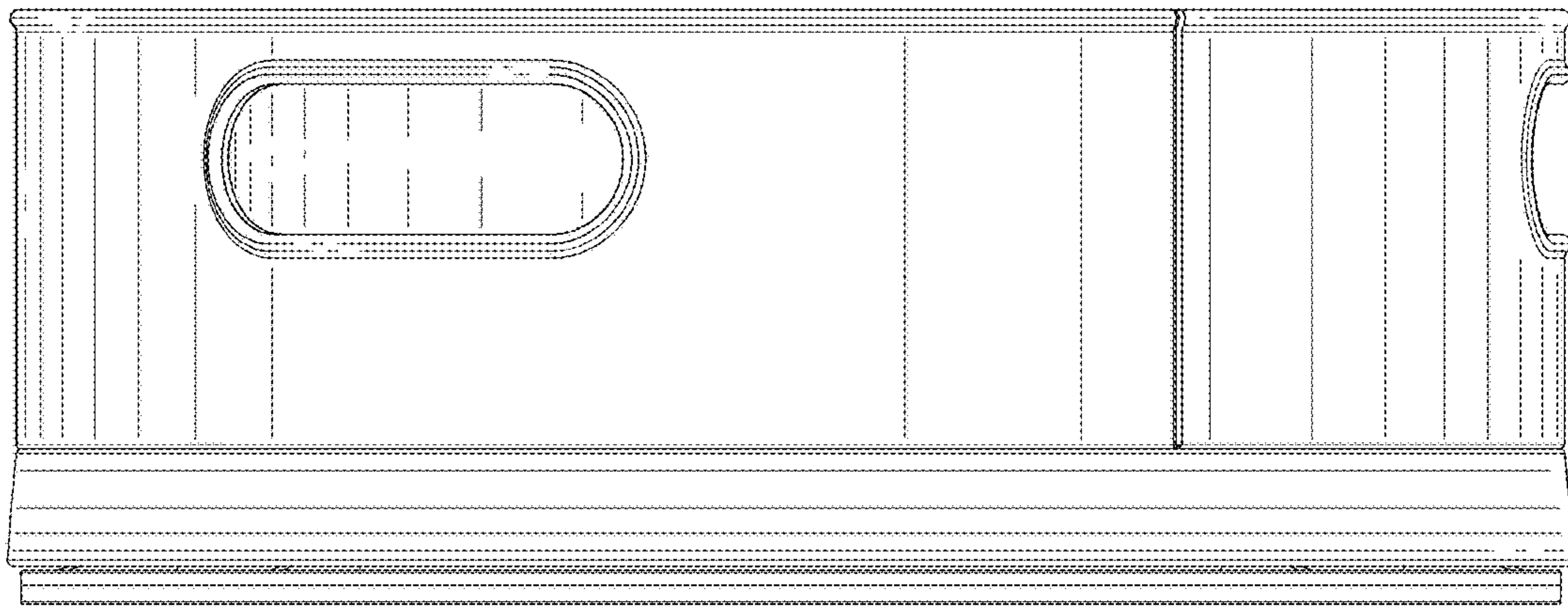


FIG.4

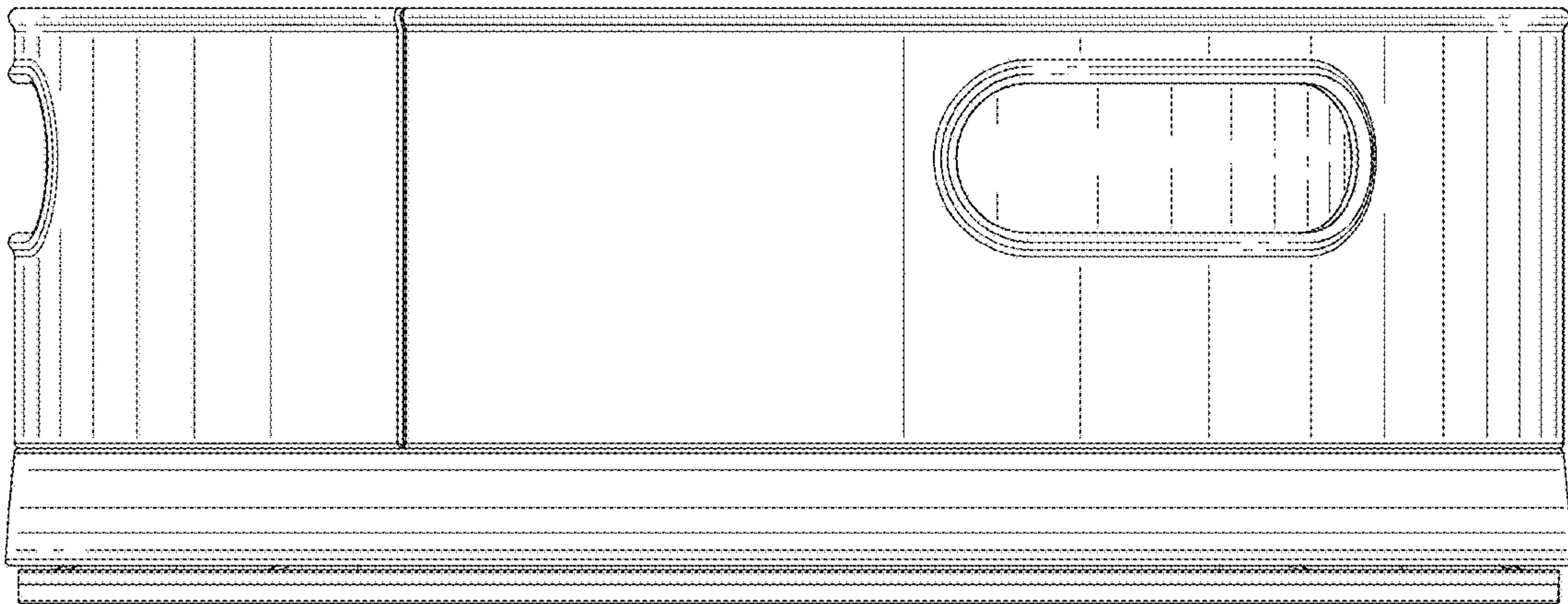


FIG. 5

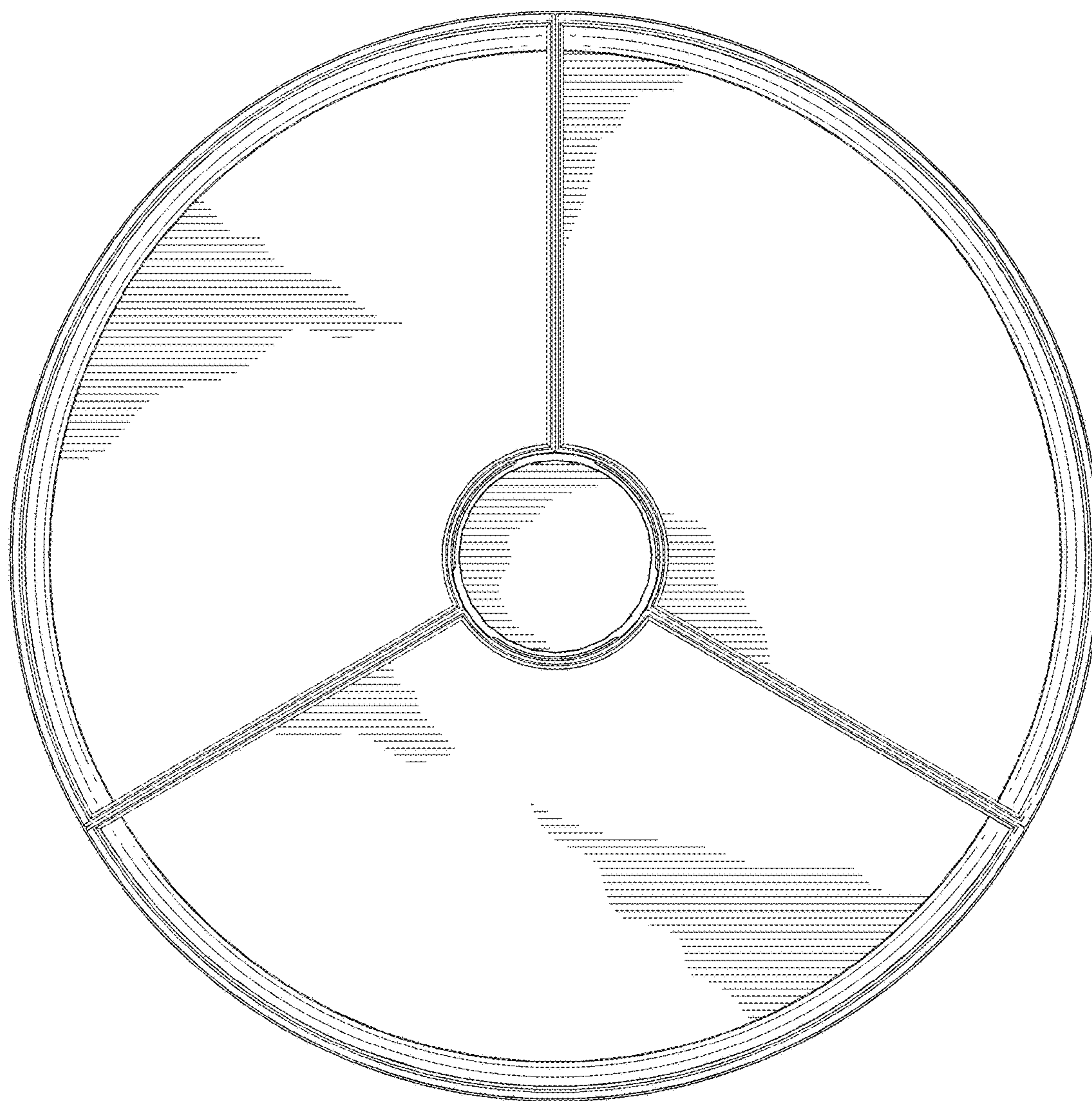


FIG.6

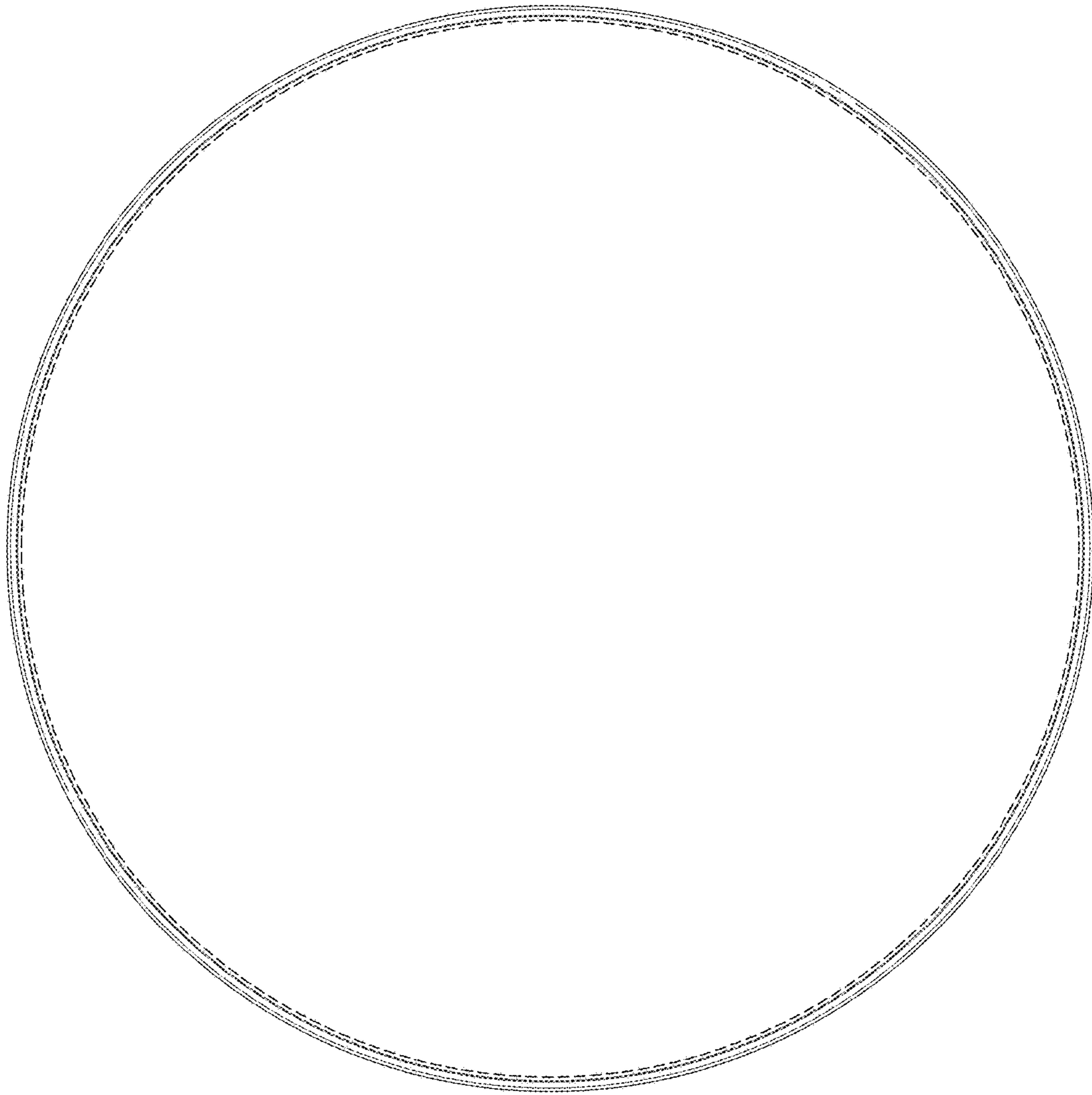


FIG. 7