



US00D834887S

(12) **United States Design Patent** (10) **Patent No.:** **US D834,887 S**
Miksovsky et al. (45) **Date of Patent:** **** Dec. 4, 2018**

(54) **HANDLE FACE FOR COMBINATION UTENSIL**

FOREIGN PATENT DOCUMENTS

(71) Applicant: **humangear, Inc.**, San Francisco, CA (US)

CN 200945058 9/2007
CN 201691585 1/2011

(Continued)

(72) Inventors: **Christopher A. Miksovsky**, San Francisco, CA (US); **Clint N. Slone**, San Francisco, CA (US); **Evelyne Chaubert**, San Francisco, CA (US); **Charlie Nghiem**, Oakland, CA (US); **Jeffrey Allen Salazar**, Palo Alto, CA (US)

OTHER PUBLICATIONS

Light My Fire, Spork original, <http://www.lightmyfire.com/products/products/spork/spork-original.aspx>, downloaded on Mar. 6, 2014.

(Continued)

Primary Examiner — Ricky Pham

(73) Assignee: **humangear, Inc.**, San Francisco, CA (US)

(74) *Attorney, Agent, or Firm* — Beyer Law Group LLP

(**) Term: **15 Years**

(57) **CLAIM**

(21) Appl. No.: **29/642,486**

The ornamental design for a handle face for combination utensil, as shown and described.

(22) Filed: **Mar. 29, 2018**

DESCRIPTION

Related U.S. Application Data

(62) Division of application No. 15/268,175, filed on Sep. 16, 2016, which is a division of application No. (Continued)

(51) **LOC (11) Cl.** **07-03**

(52) **U.S. Cl.**
USPC **D7/401.2; D7/643; D7/644; D7/653**

(58) **Field of Classification Search**
USPC **D7/368, 401.2, 642-645, 653-664, 669, D7/675-677, 683, 688-689, 691; D8/107, 300-301; D22/117-118; D28/7**
(Continued)

FIG. 1 is a front perspective view of a handle face for a combination utensil in accordance with a first embodiment of the present design.
FIG. 2 is a rear perspective view thereof.
FIG. 3 is a top plan view thereof.
FIG. 4 is a bottom plan view thereof.
FIG. 5 is a right side elevational view thereof.
FIG. 6 is a front perspective view of a handle face for a combination utensil in accordance with a second embodiment of the present design.
FIG. 7 is a rear perspective view of the second embodiment.
FIG. 8 is a top plan view of the second embodiment;
FIG. 9 is a bottom plan view of the second embodiment; and,
FIG. 10 is a right side elevational view of the second embodiment.

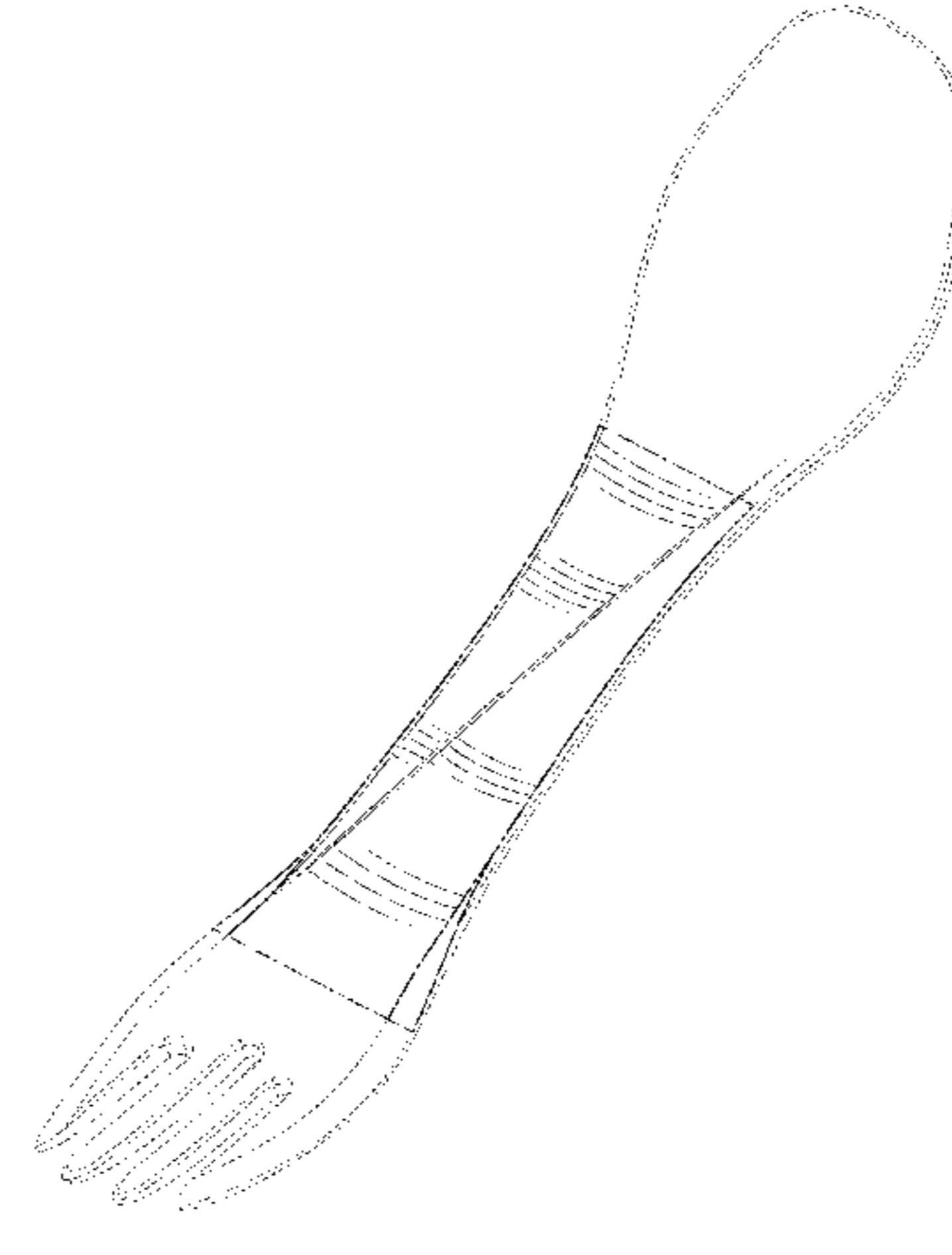
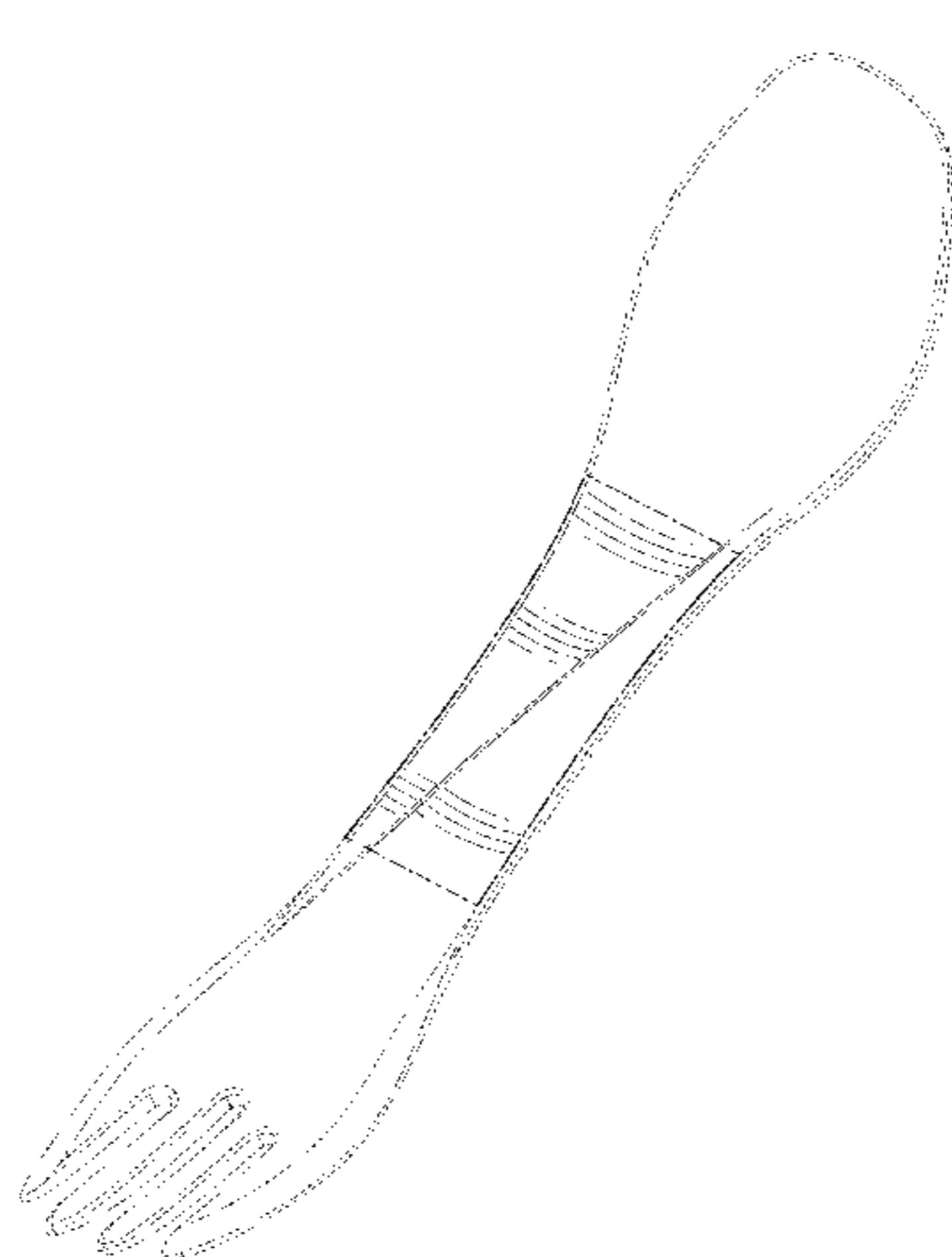
The broken lines are shown for illustrative purposes and form no part of the claimed design.

(56) **References Cited**

U.S. PATENT DOCUMENTS

398,264 A 2/1889 Kisner
D30,129 S 2/1899 Whitcomb et al.
(Continued)

1 Claim, 10 Drawing Sheets



Related U.S. Application Data

14/204,497, filed on Mar. 11, 2014, now Pat. No. 9,468,321.

(58) **Field of Classification Search**

CPC ... A01D 9/02; A01D 9/04; A01D 9/06; A47G 21/00; A47G 21/004; A47G 21/005; A47G 21/02; A47G 21/023; A47G 21/04; A47G 21/06; A47G 21/08; A47J 43/28; A47J 43/281; A47J 43/282; A61F 13/10; A61J 7/0023; B25G 1/00; B25G 1/01; B25G 1/02; B25G 3/00; B65D 75/56; B65D 75/563; B65D 75/566; B67B 7/00; B67B 7/38; B67B 7/724; B67B 7/73; B25F 1/00

See application file for complete search history.

(56) **References Cited**

U.S. PATENT DOCUMENTS

671,740 A * 4/1901 Wattne B67B 7/38
30/148
849,098 A 4/1907 Aufrichtig
854,745 A 5/1907 King
D60,369 S 2/1922 Quandee et al.
1,425,750 A * 8/1922 Crawford A47G 21/06
30/148
2,010,074 A 8/1935 Fuerst
2,318,129 A 5/1943 Torode
D249,926 S 10/1978 Wong
D269,060 S 5/1983 Creamer
D325,855 S 5/1992 Rea
D342,422 S 12/1993 Sanford
5,845,403 A 12/1998 Nivin
D414,988 S 10/1999 Santini
D509,708 S * 9/2005 Schmidt D7/645
D530,985 S 10/2006 Evans
D535,857 S 1/2007 Bristow
D536,222 S 2/2007 Heiberg et al.
D575,593 S 8/2008 Svartström
D608,602 S 1/2010 Davies et al.
D609,060 S * 2/2010 Pallotto D7/642
D633,344 S 3/2011 Nordwall
D718,093 S 11/2014 Miksovsky et al.
D722,837 S 2/2015 Miksovsky et al.
D739,685 S 9/2015 Miksovsky et al.
D740,079 S 10/2015 Miksovsky et al.
D746,644 S * 1/2016 Cai B25F 1/00
D7/643
D752,918 S * 4/2016 Katopis D7/401.2
D753,447 S * 4/2016 Busboom D7/642
9,468,321 B2 10/2016 Miksovsky et al.

9,549,626 B2 * 1/2017 Truog B25F 1/00
D794,400 S * 8/2017 Young A47G 21/06
D7/643
D812,994 S * 3/2018 Mundhra B67B 7/38
D7/643
D816,432 S * 5/2018 Huang D7/644
D825,104 S * 8/2018 Simard D28/7
2003/0110644 A1 6/2003 Miller
2005/0155229 A1 7/2005 Lee
2013/0152406 A1 6/2013 McFarland
2014/0026425 A1 1/2014 Kim
2017/0000276 A1 1/2017 Miksovsky et al.

FOREIGN PATENT DOCUMENTS

CN 202234496 5/2012
CN 202874843 4/2013
CN 203424719 2/2014
DE 44 17 037 12/1998
EP 0 129 495 12/1984
GB 22788 9/1915
WO WO 2013/095407 6/2013

OTHER PUBLICATIONS

Primus, Folding Spork, <http://store.primuscamping.com/cookware/utensils-and-accessories/primus-folding-spork-black/>, downloaded on Mar. 6, 2014.
DCI, Swivel Spork & Knife Set, <http://shop.dcgift.com/p/swivel-spork-knife-set>, downloaded on Mar. 6, 2014.
Alite, Cloverware Lite, <http://shop.alitedesigns.com/cloverware-lite.html>, downloaded on Mar. 6, 2014.
Alite, Cloverware 2.0, <http://shop.alitedesigns.com/cloverware-538.html>, downloaded on Mar. 6, 2014.
Guyot, Microbites™, <https://www.guyotdesigns.com/product-microbites/>, downloaded on Mar. 6, 2014.
Guyot, Utensils, <https://www.guyotdesigns.com/utensils/>, downloaded on Mar. 6, 2014.
International Search Report dated Jul. 8, 2015 from International Application No. PCT/US2015/019017.
Written Opinion dated Jul. 8, 2015 from International Application No. PCT/US2015/019017.
Chinese Office Action dated Apr. 27, 2017 from Chinese Application No. 201580022197.1.
Chinese Office Action dated Aug. 1, 2017 from Chinese Application No. 201611163525.2.
European Search Report dated Jun. 16, 2017 from European Application No. 16202786.3-1653.

* cited by examiner

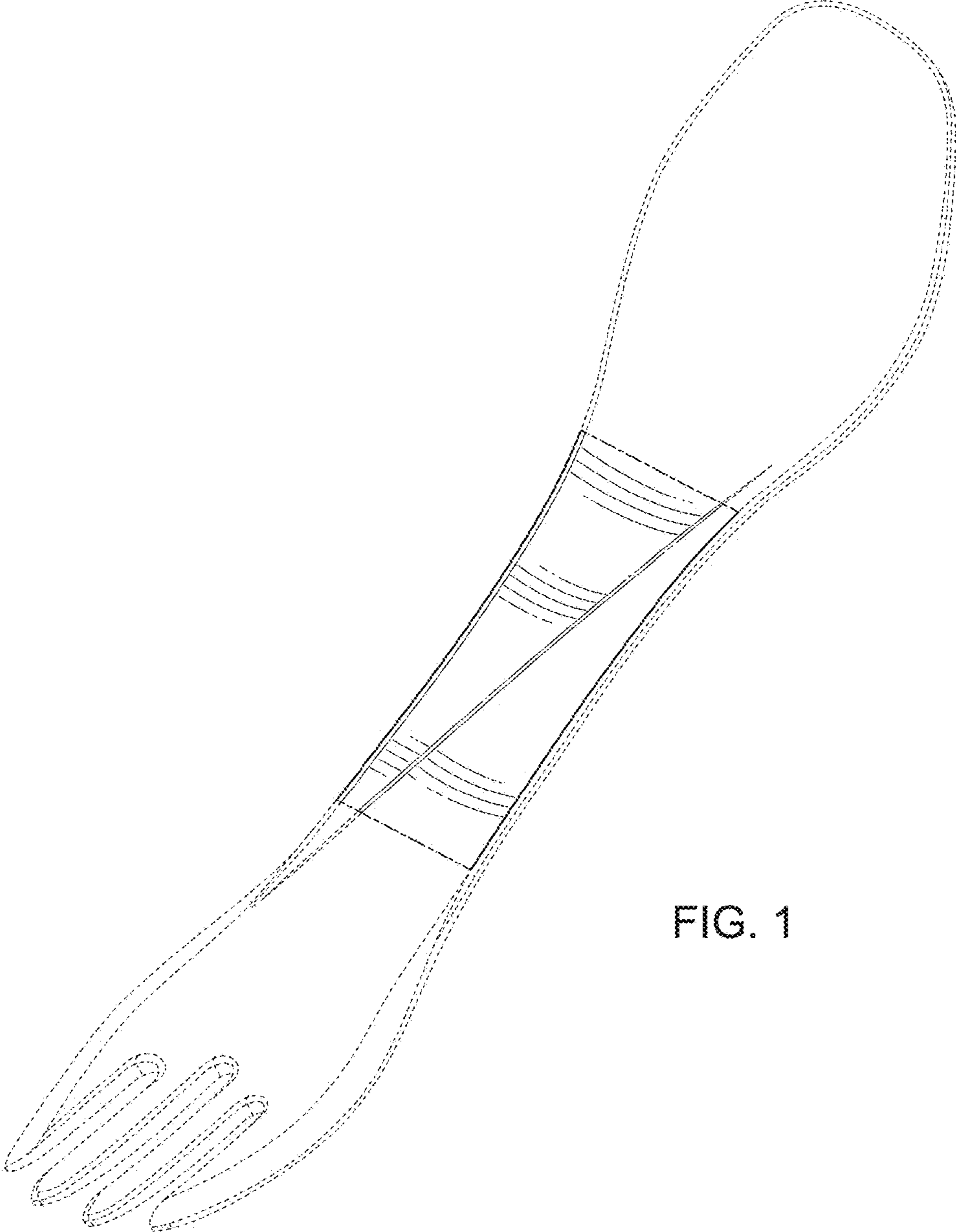


FIG. 1

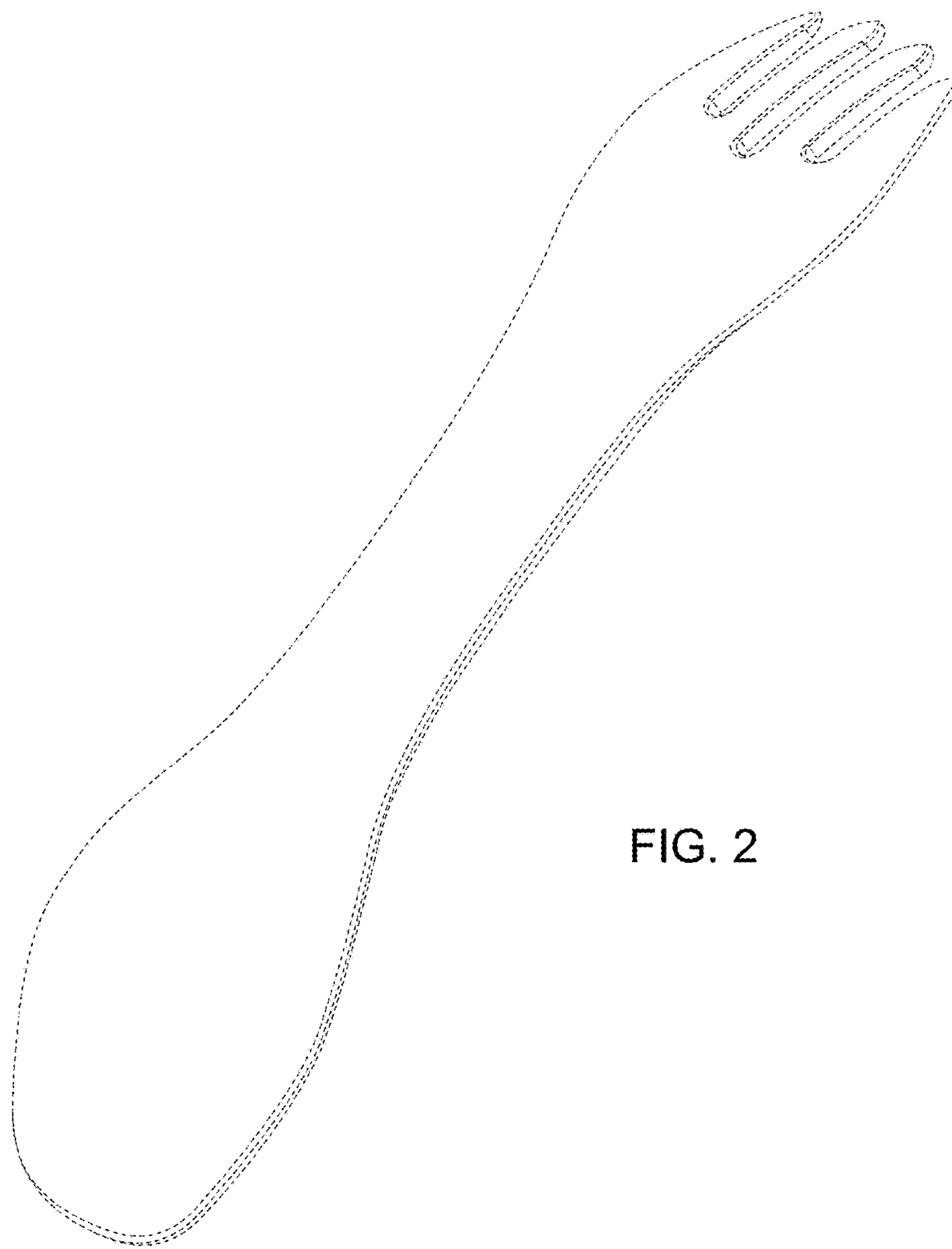


FIG. 2

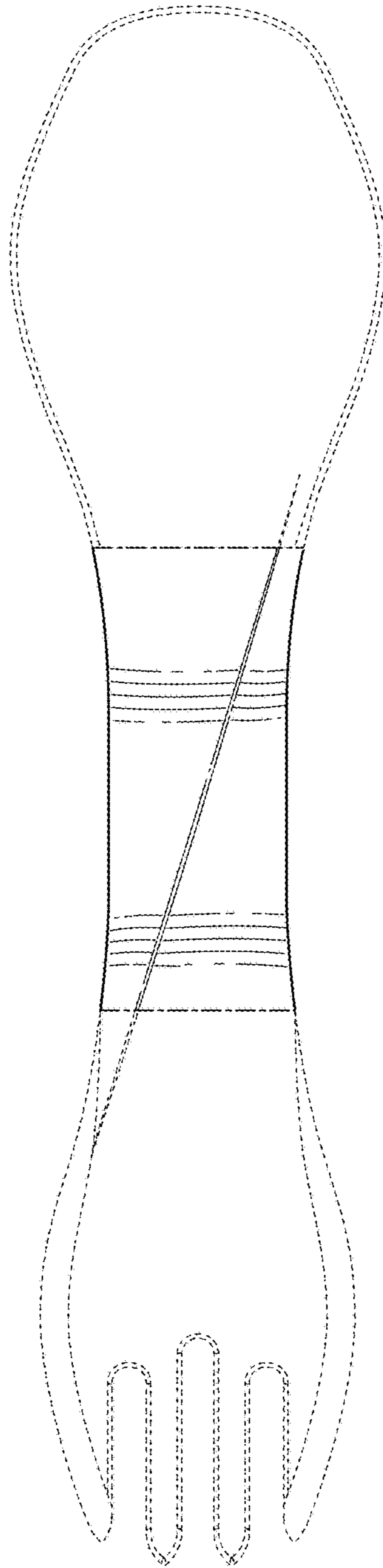


FIG. 3

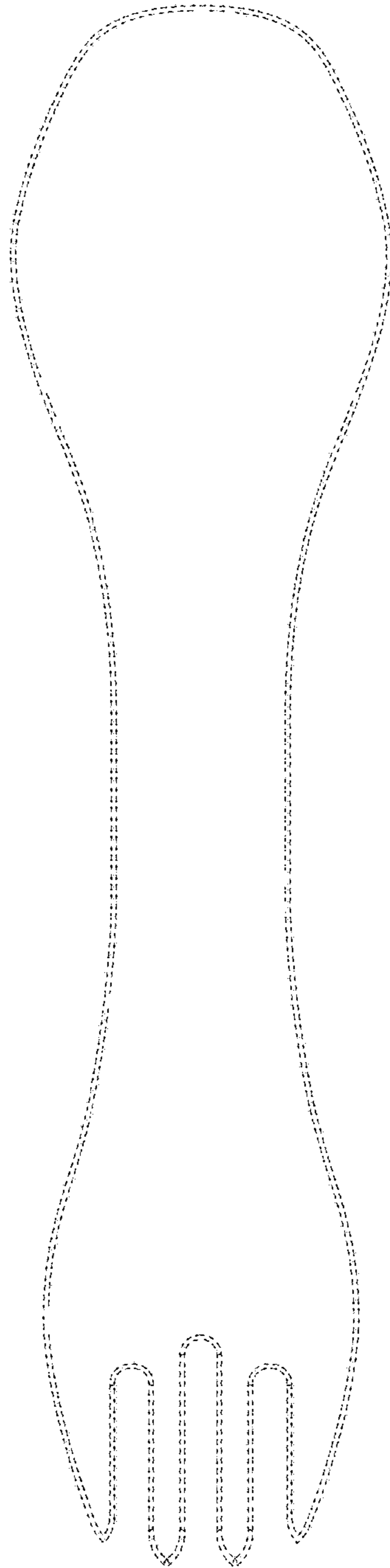


FIG. 4

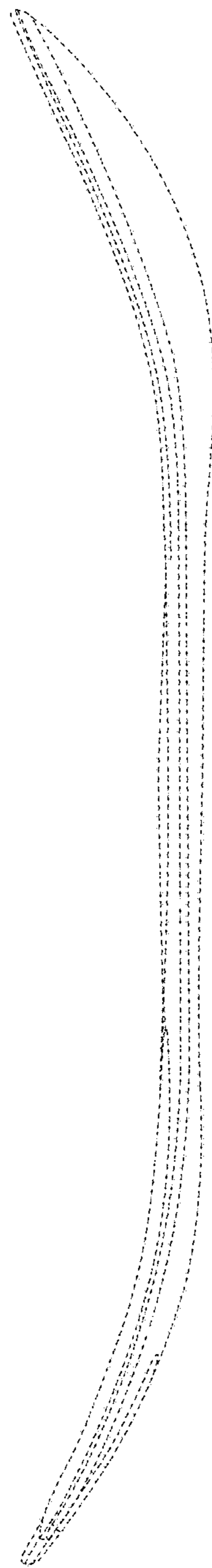


FIG. 5

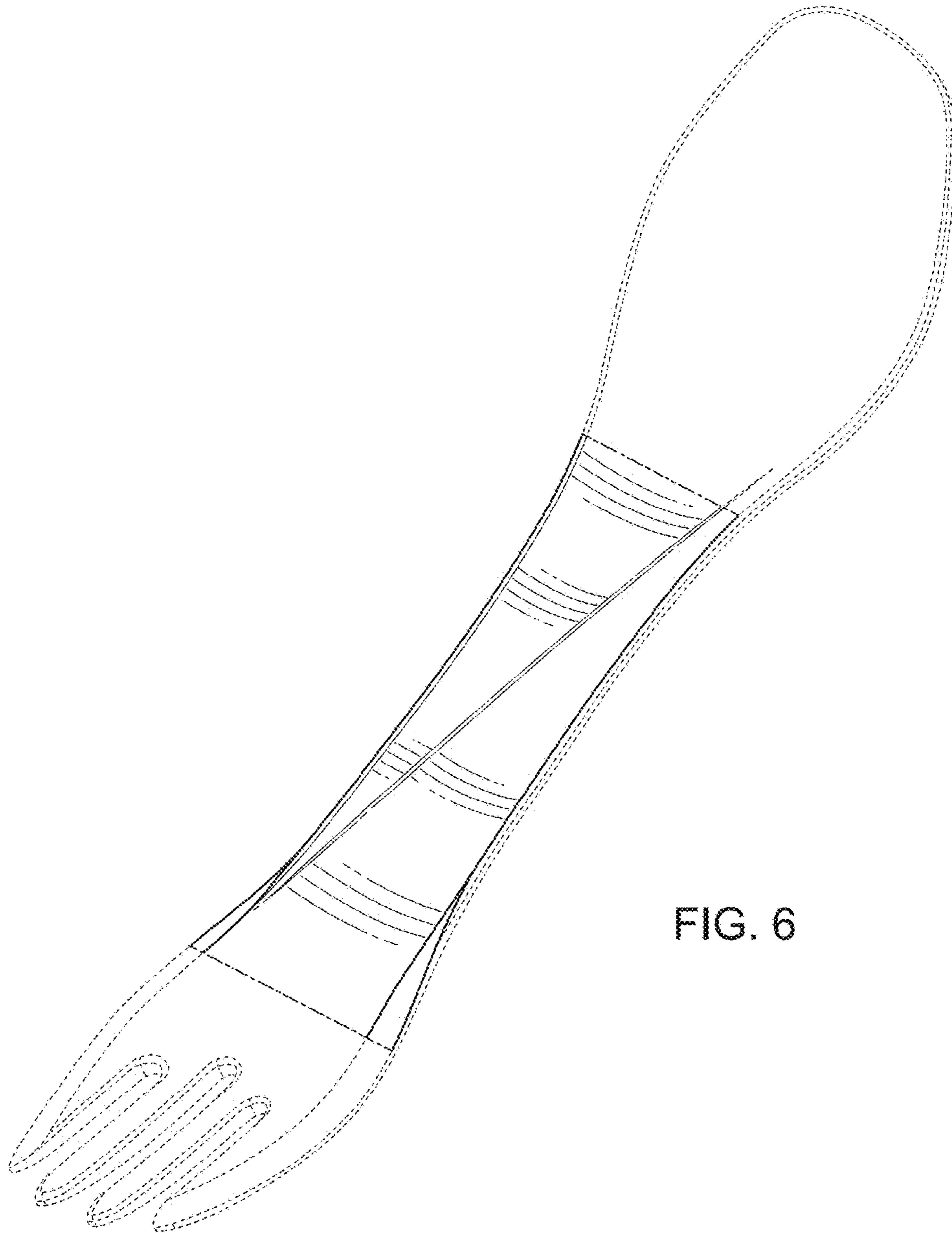


FIG. 6

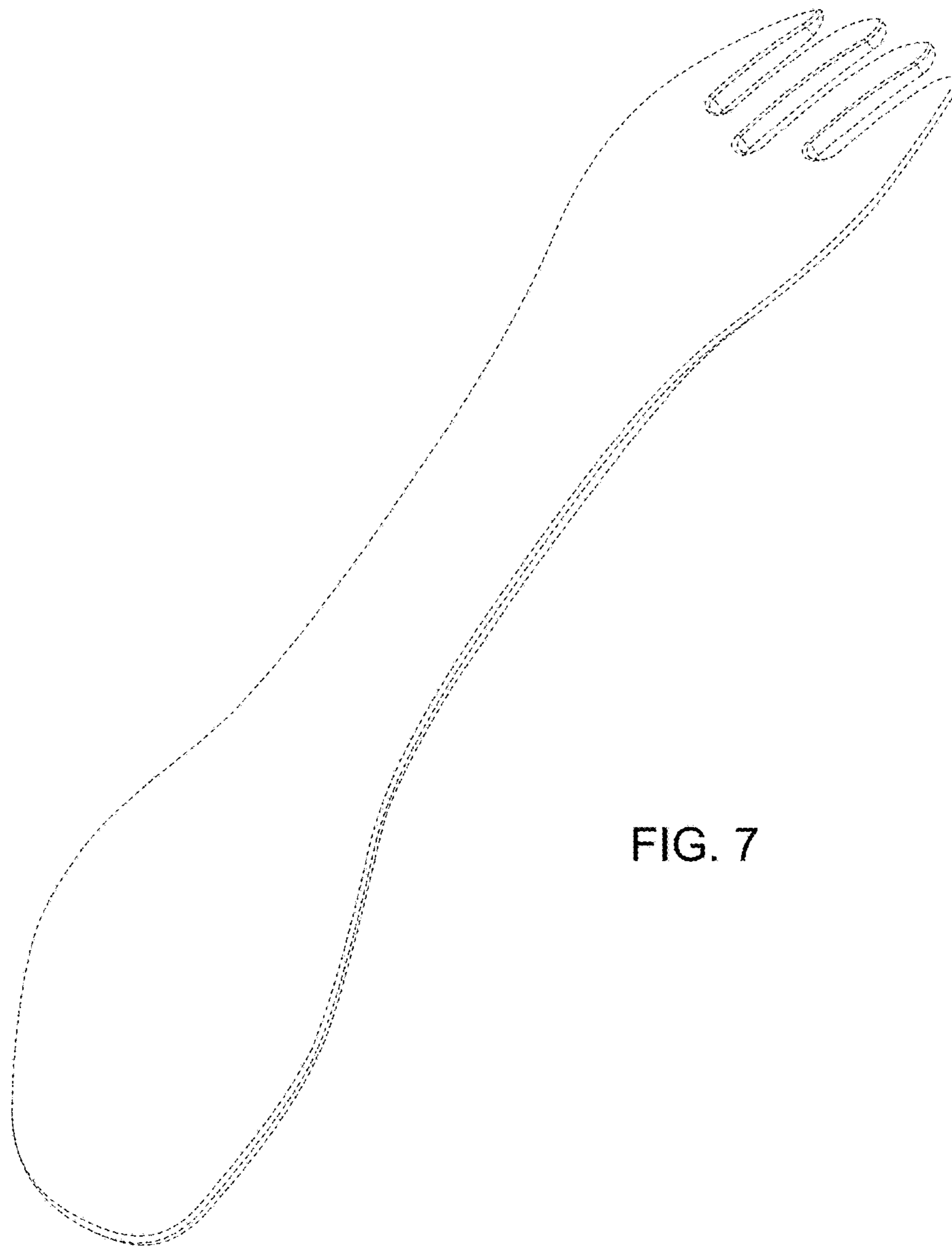


FIG. 7

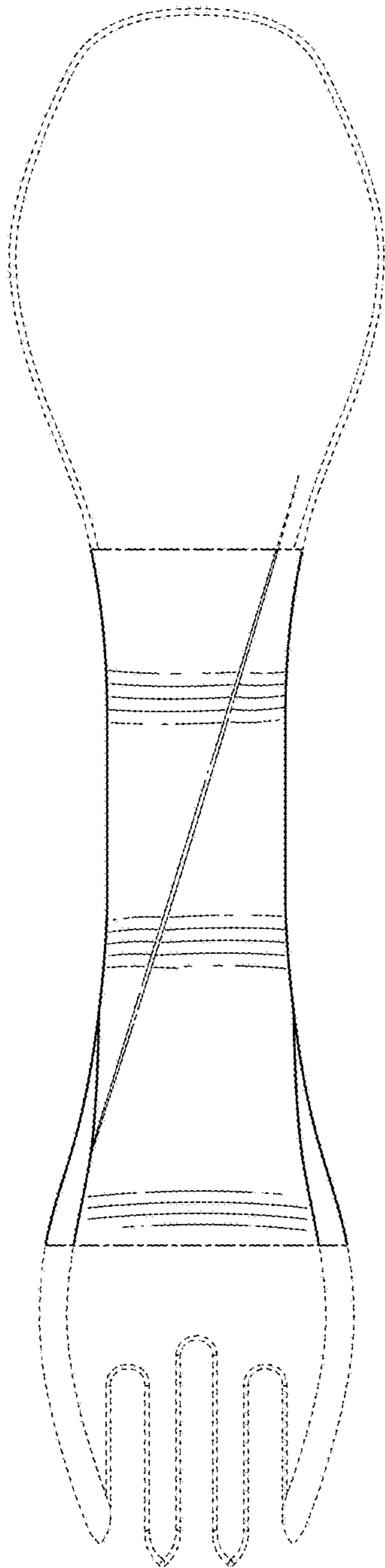


FIG. 8

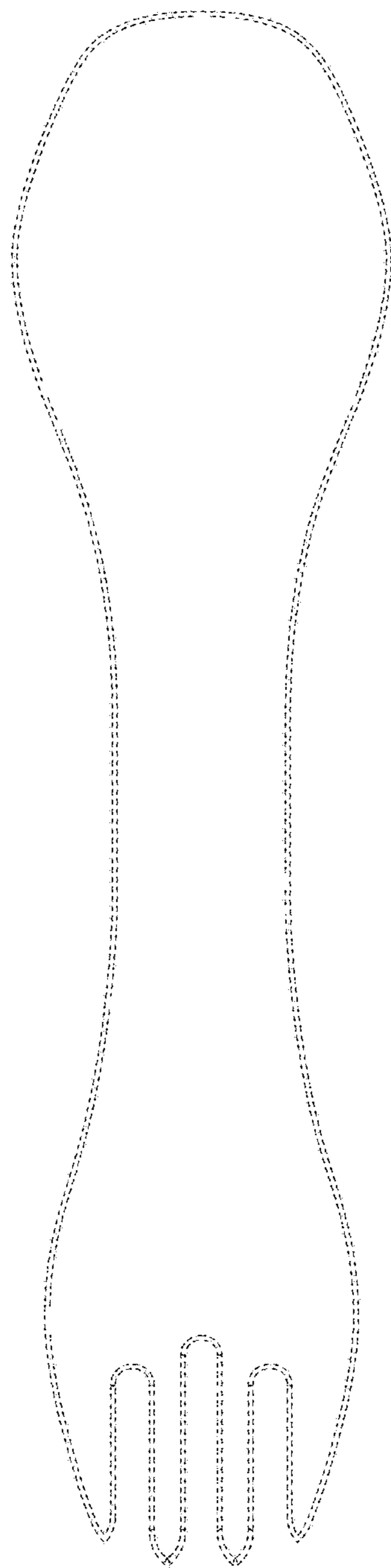


FIG. 9

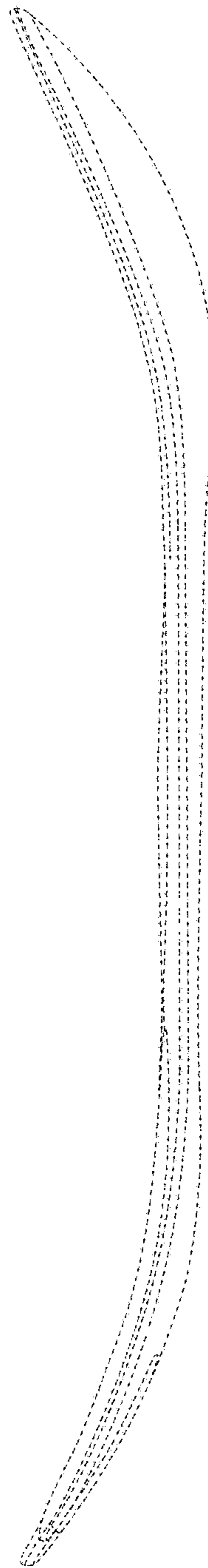


FIG. 10