



US00D834886S

(12) **United States Design Patent** (10) **Patent No.:** **US D834,886 S**
Gross et al. (45) **Date of Patent:** **** Dec. 4, 2018**

(54) **CARAFE WITH STEEPING FILTER SUPPORT**

6-Cup-Classic-Glass-Coffee/dp/B0000YWF5E/ref=sr_1_1s=kitchen&ie=UTF8&qid=1458500048&sr=1-1&keywords=chemex.

(Continued)

(71) Applicant: **Eternal East (HK) Ltd.**, Hong Kong (CN)

Primary Examiner — Derrick E Holland

(72) Inventors: **Charles Brian Gross**, Greeley, CO (US); **Xiaoqiang Liu**, Zhuzhou (CN); **Chengping Shen**, Yuanqu (CN)

Assistant Examiner — Andrew Kerr

(74) *Attorney, Agent, or Firm* — Polson Intellectual Property Law, PC; Margaret Polson

(73) Assignee: **ETERNAL EAST (HK) LTD.**, Hong Kong (CN)

(57) **CLAIM**

The ornamental design for a carafe with steeping filter support, as shown and described.

(**) Term: **15 Years**

DESCRIPTION

(21) Appl. No.: **29/643,473**

(22) Filed: **Apr. 9, 2018**

Related U.S. Application Data

(62) Division of application No. 29/571,070, filed on Jul. 14, 2016, now Pat. No. Des. 817,089.

(51) **LOC (11) Cl.** **07-99**

(52) **U.S. Cl.**
USPC **D7/400**

(58) **Field of Classification Search**
USPC ... D7/396.1, 396.2, 397-401, 412, 415, 602, D7/619.1, 630; D15/150; D23/200, 206
(Continued)

FIG. 1 is a top isometric view of a first embodiment of a carafe with steeping filter support showing our new design; FIG. 2 is a top plan view thereof; FIG. 3 is a bottom plan view thereof; FIG. 4 is a front side elevation view thereof, a back side elevation view being identical; FIG. 5 is a left side elevation view thereof, a right side elevation view being identical; FIG. 6 is a top isometric view of a second embodiment of a carafe with steeping filter support showing our new design; FIG. 7 is a top plan view thereof; FIG. 8 is a bottom plan view thereof; FIG. 9 is a front side elevation view thereof, a back side elevation view being identical; FIG. 10 is a left side elevation view thereof; FIG. 11 is a right side elevation view thereof; FIG. 12 is a top isometric view of a third embodiment of a carafe with steeping filter support showing our new design; FIG. 13 is a top plan view thereof; FIG. 14 is a bottom plan view thereof; FIG. 15 is a front side elevation view thereof, a back side elevation view being identical; FIG. 16 is a left side elevation view thereof; and, FIG. 17 is a right side elevation view thereof.

(56) **References Cited**

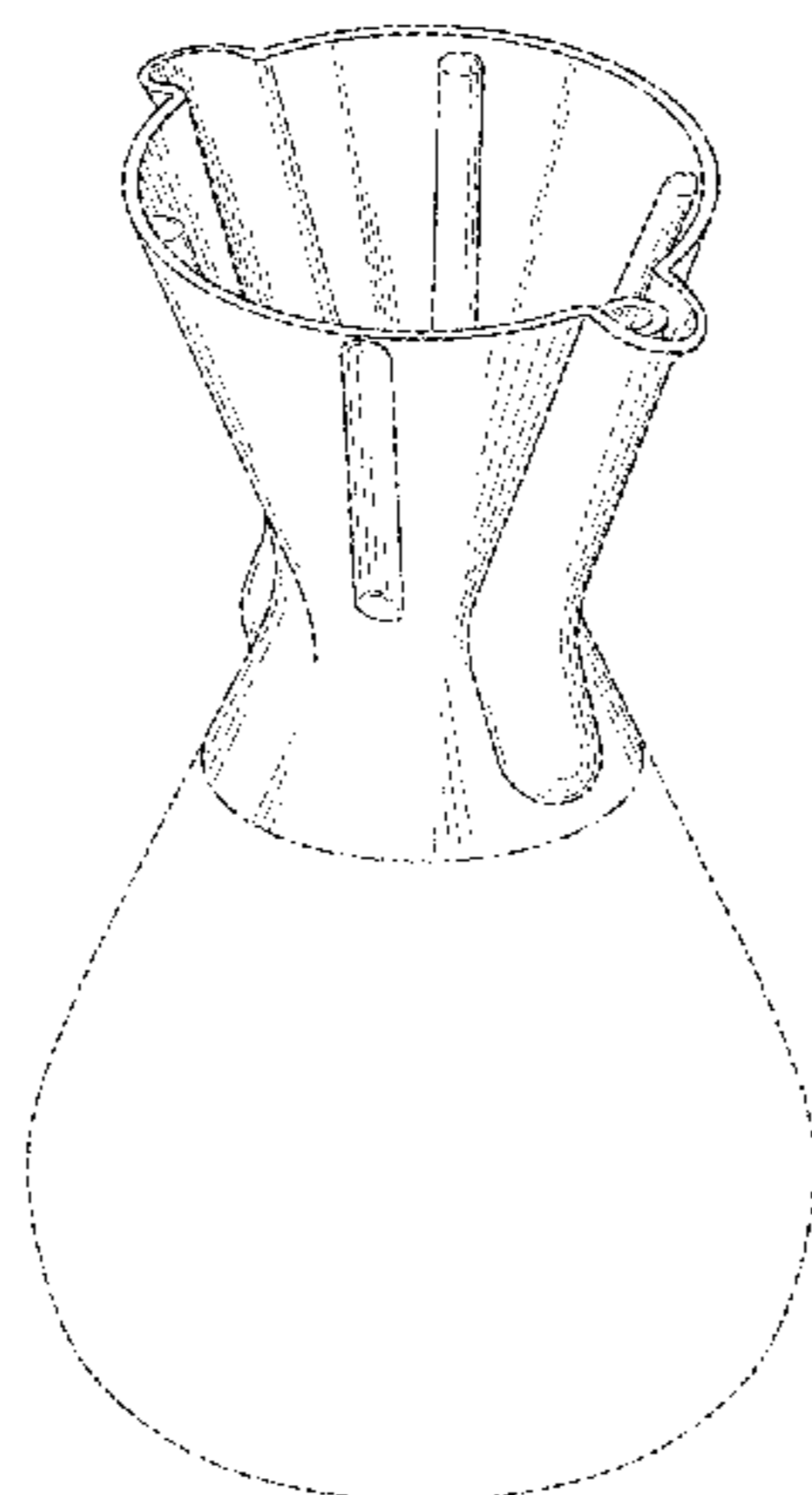
U.S. PATENT DOCUMENTS

2,705,086 A * 3/1955 Schlumbohm A47J 45/10
215/396
D203,854 S * 2/1966 Douglas D7/400
(Continued)

OTHER PUBLICATIONS

Print of Amazon.com listing for Chemex 6-Cup Classic Series Glass Coffeemaker captured Sep. 8, 2016: <http://www.amazon.com/Chemex->

The broken lines showing portions of the carafe with steeping filter support are for the purpose of illustrating environmental structure only and forms no part of the claimed
(Continued)



design. The dash-dot lines represent the boundary of the claimed design and form no part thereof.

D797,501 S 9/2017 Thurlow
D828,089 S * 9/2018 Schueler D7/400
2015/0374151 A1* 12/2015 Lin A47G 19/12
222/545

1 Claim, 8 Drawing Sheets

(58) **Field of Classification Search**

CPC A47G 23/0214; A47J 43/44; A47J 19/14;
A47J 31/06; A47J 31/005; B01D
29/0097; B01D 35/02

See application file for complete search history.

(56) **References Cited**

U.S. PATENT DOCUMENTS

5,497,814 A * 3/1996 Cannon B67C 11/02
141/106
D580,696 S 11/2008 Bodum
D726,475 S 4/2015 Wittke et al.
D751,331 S 3/2016 Rashid
D773,544 S 12/2016 Tseng
D789,134 S 6/2017 Lin
D795,998 S 8/2017 Gelardi et al.

OTHER PUBLICATIONS

Print of Amazon.com listing for Osaka Pour-Over Drip Brewer, 6 Cup Glass Carafe with Permanent Stainless Steel Filter "Itsukushima" captured Sep. 8, 2016: https://www.amazon.com/Osaka-Pour-Over-Permanent-Stainless-Itsukushima/dp/B01867PTUY/ref=sr_1_6?s=kitchen&ie=UTF8&qid=1458500048&sr=1-6&keywords=chemex.

Print of Amazon.com listing for Bodum 11571-01 Pour Over Coffee Maker with Permanent Filter, 34 oz, Black captured Sep. 8, 2016: https://www.amazon.com/Bodum-11571-01-Coffee-Permanent-Filter/dp/B00LOCYKIQ/ref=pd_sim_79_2?ie=UTF8&dpID=41S0D3ydZ5L&dpSrc=sims&preST=_AC_UL160_SR160%2C160_&refRID=1N6DF0FB02M2VNV0BC4E.

Print of Amazon.com listing for Hario V60 Drip Decanter captured Sep. 8, 2016: http://www.amazon.com/Hario-VDD-02B-V60-Drip-Decanter/dp/B00755F9Z4/ref=pd_sim_79_1?ie=UTF8&dpID=41hqlqAhx%2BL&dpSrc=sims&preST=_AC_UL160_SR160%2C160_&refRID=0CR4DGB692XWFPP62S78.

* cited by examiner

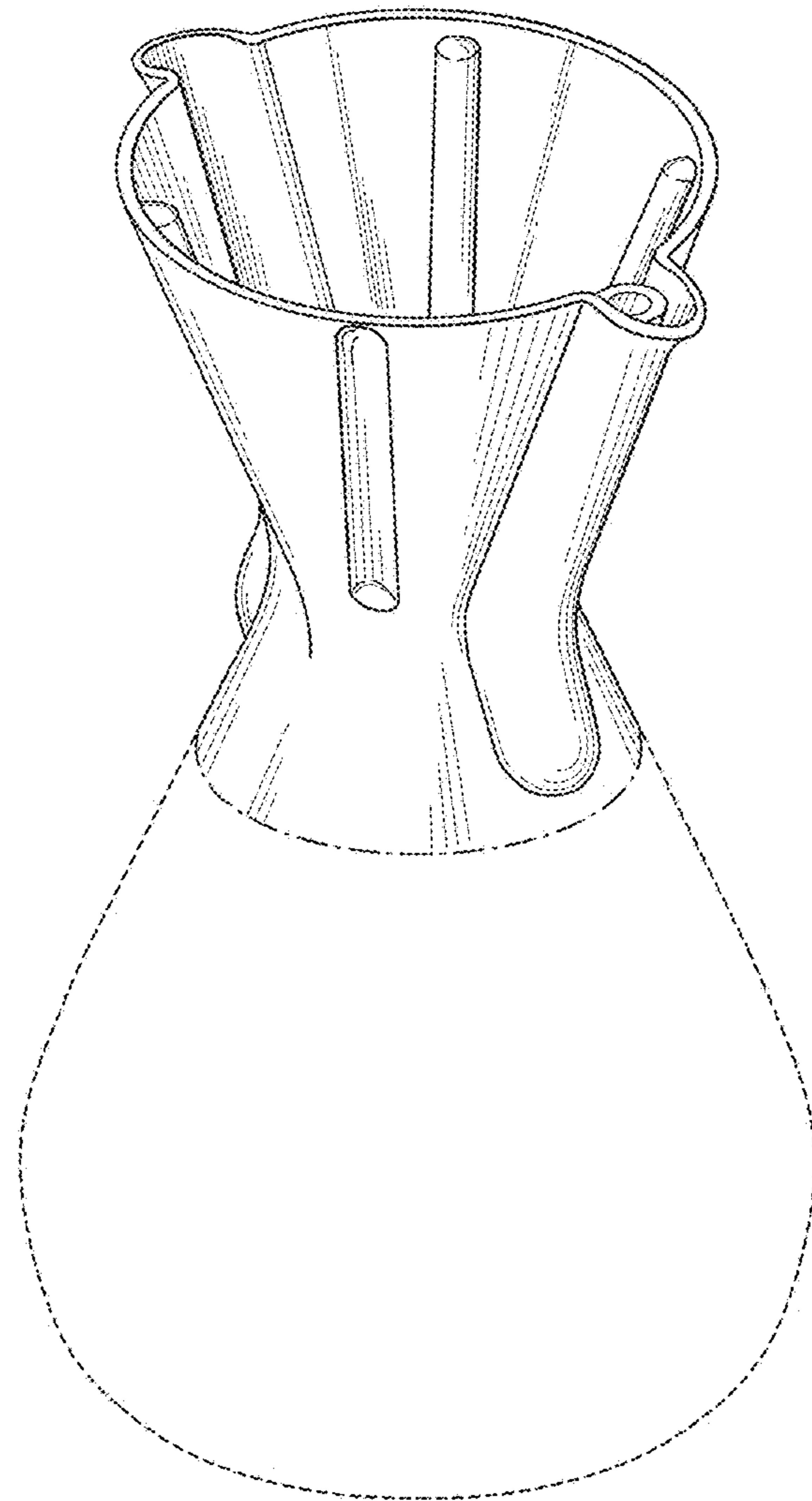


FIG.1

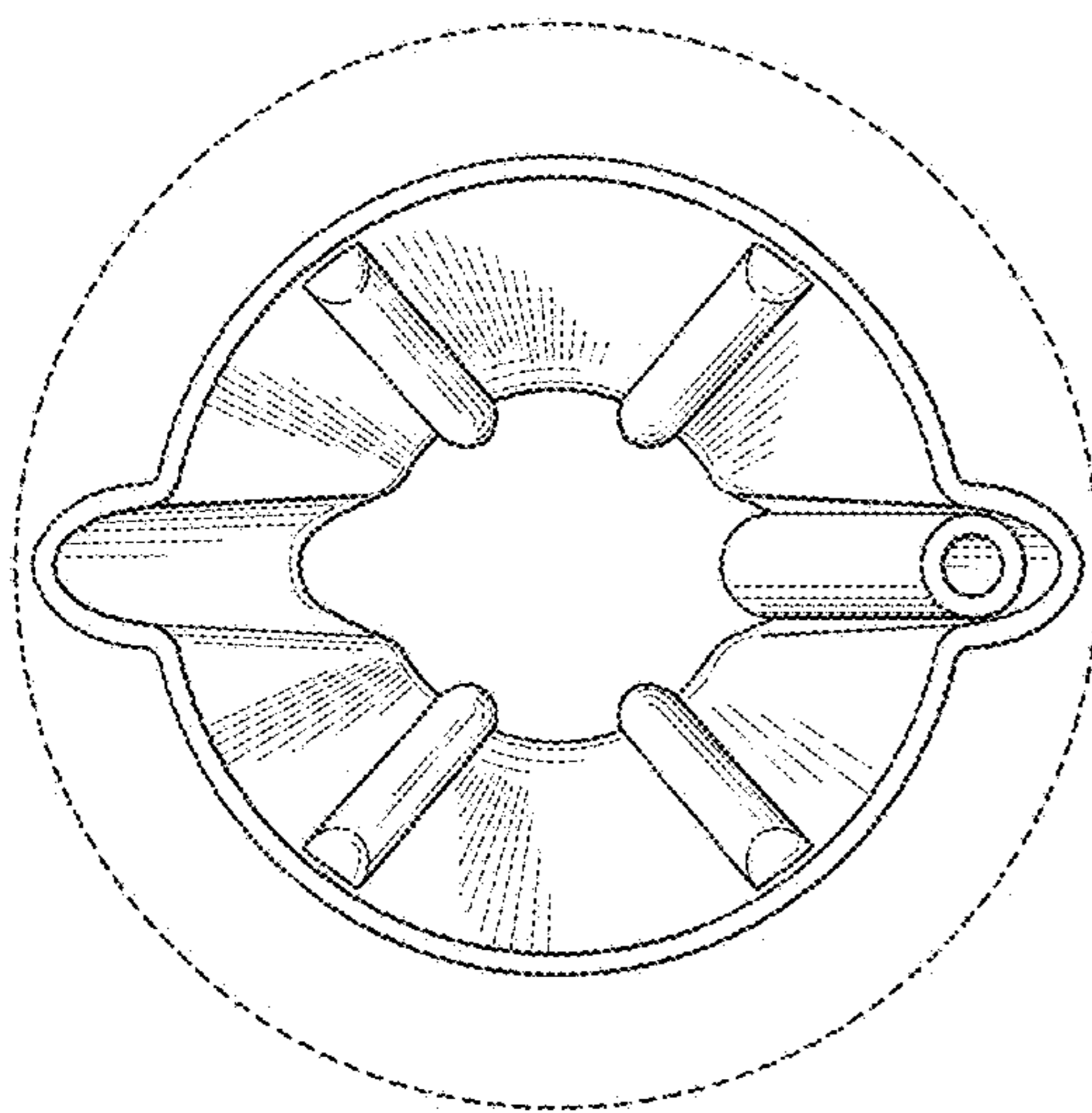


FIG.2

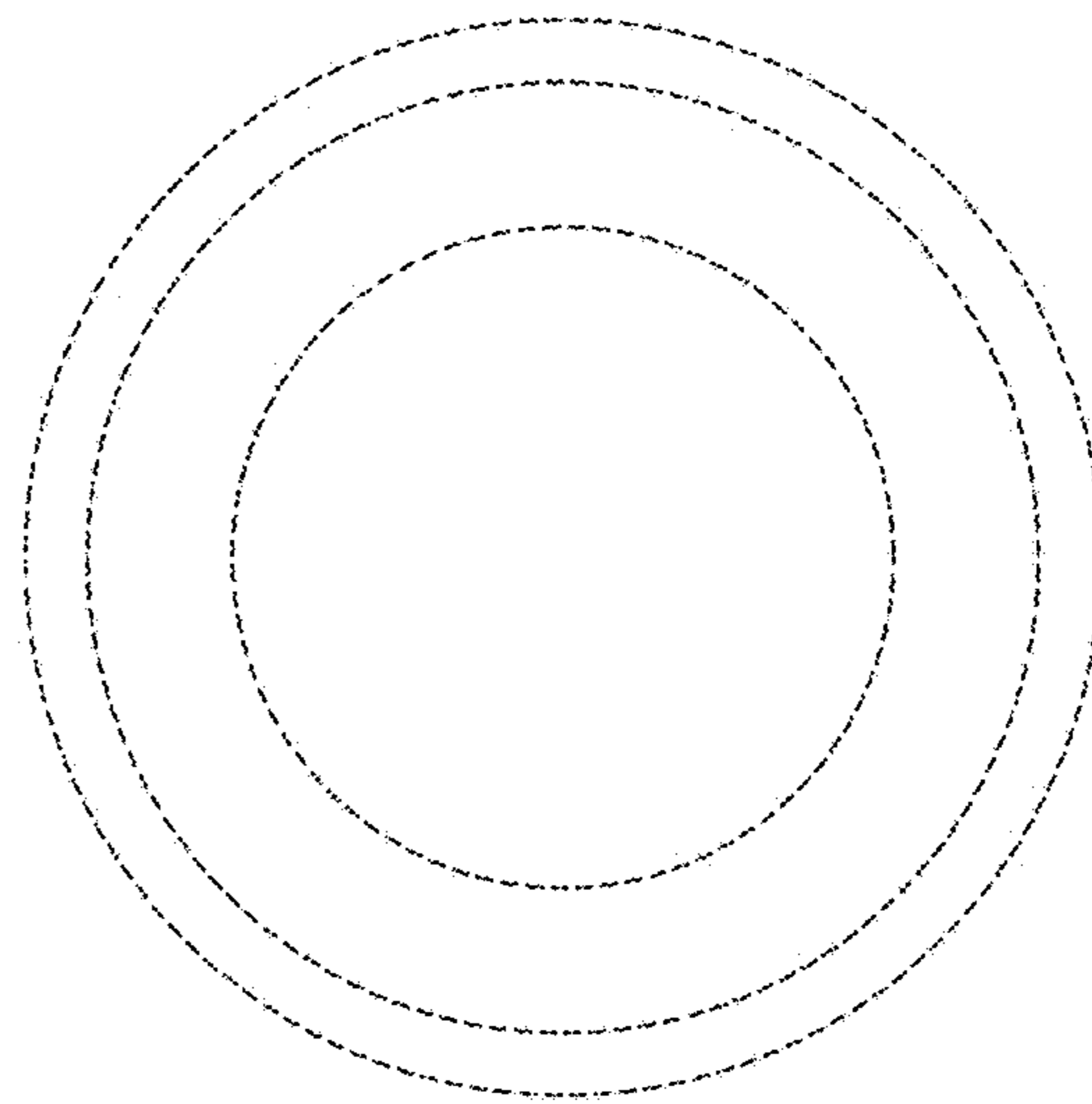


FIG.3

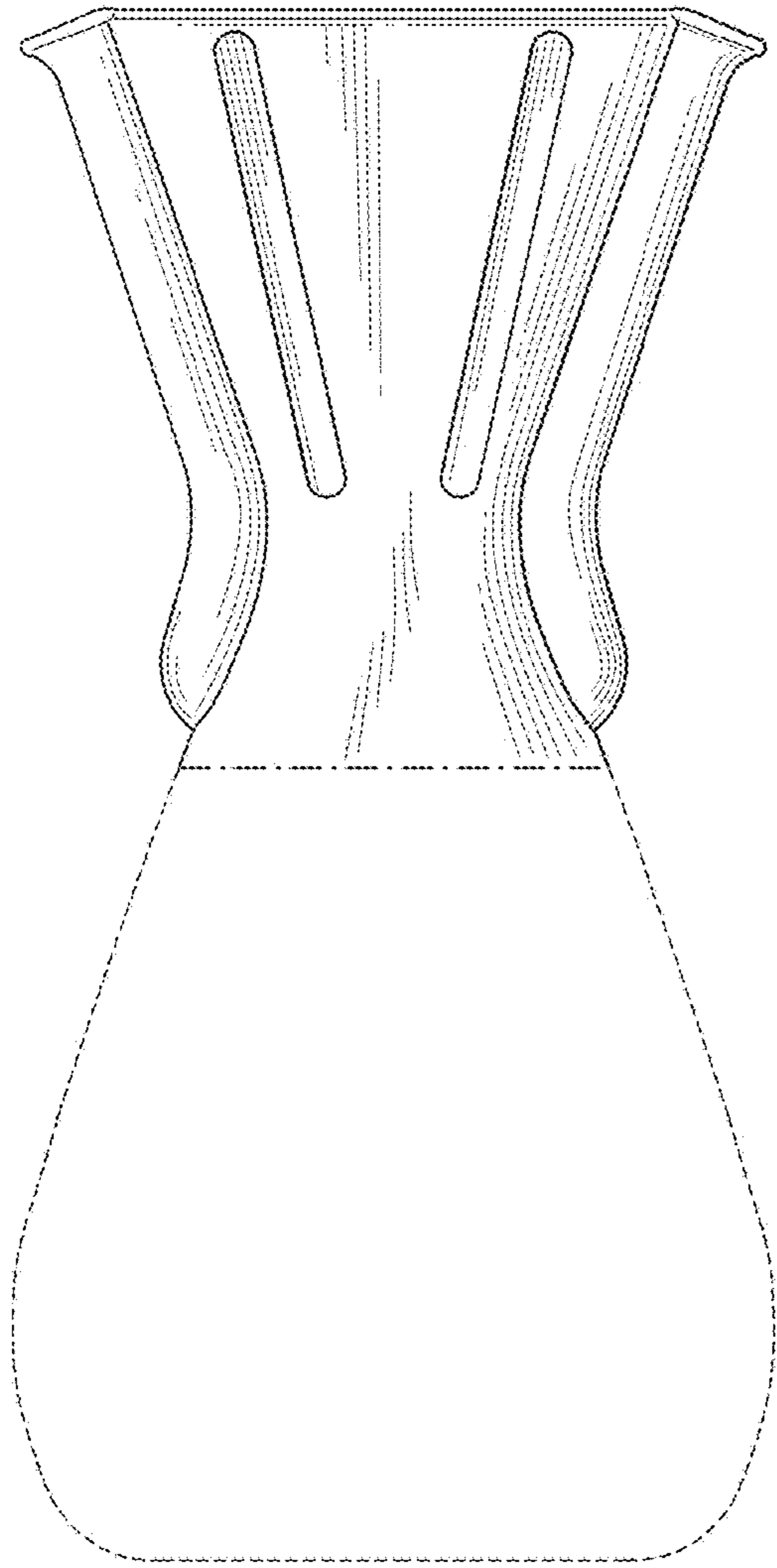


FIG.4

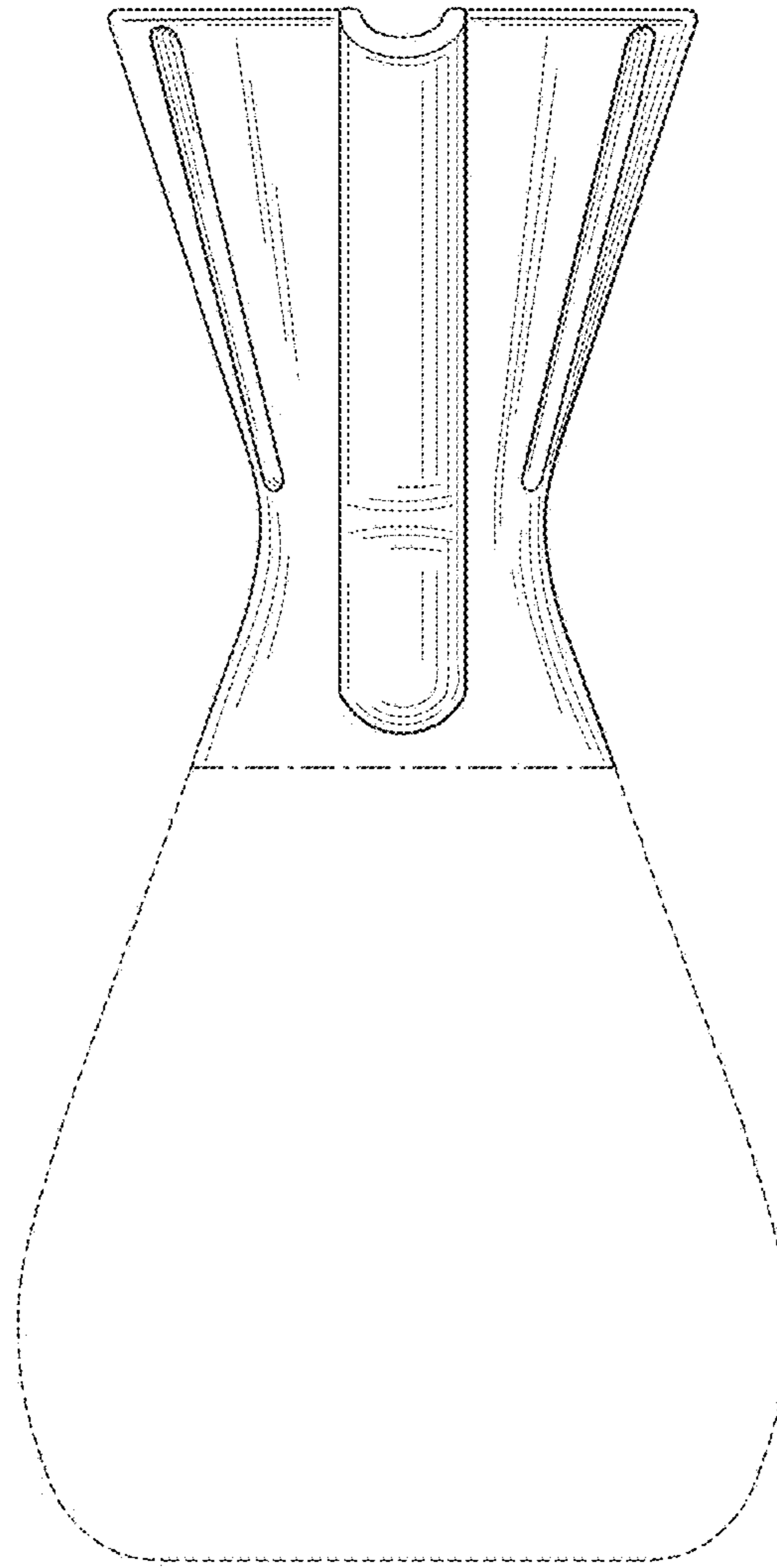


FIG.5

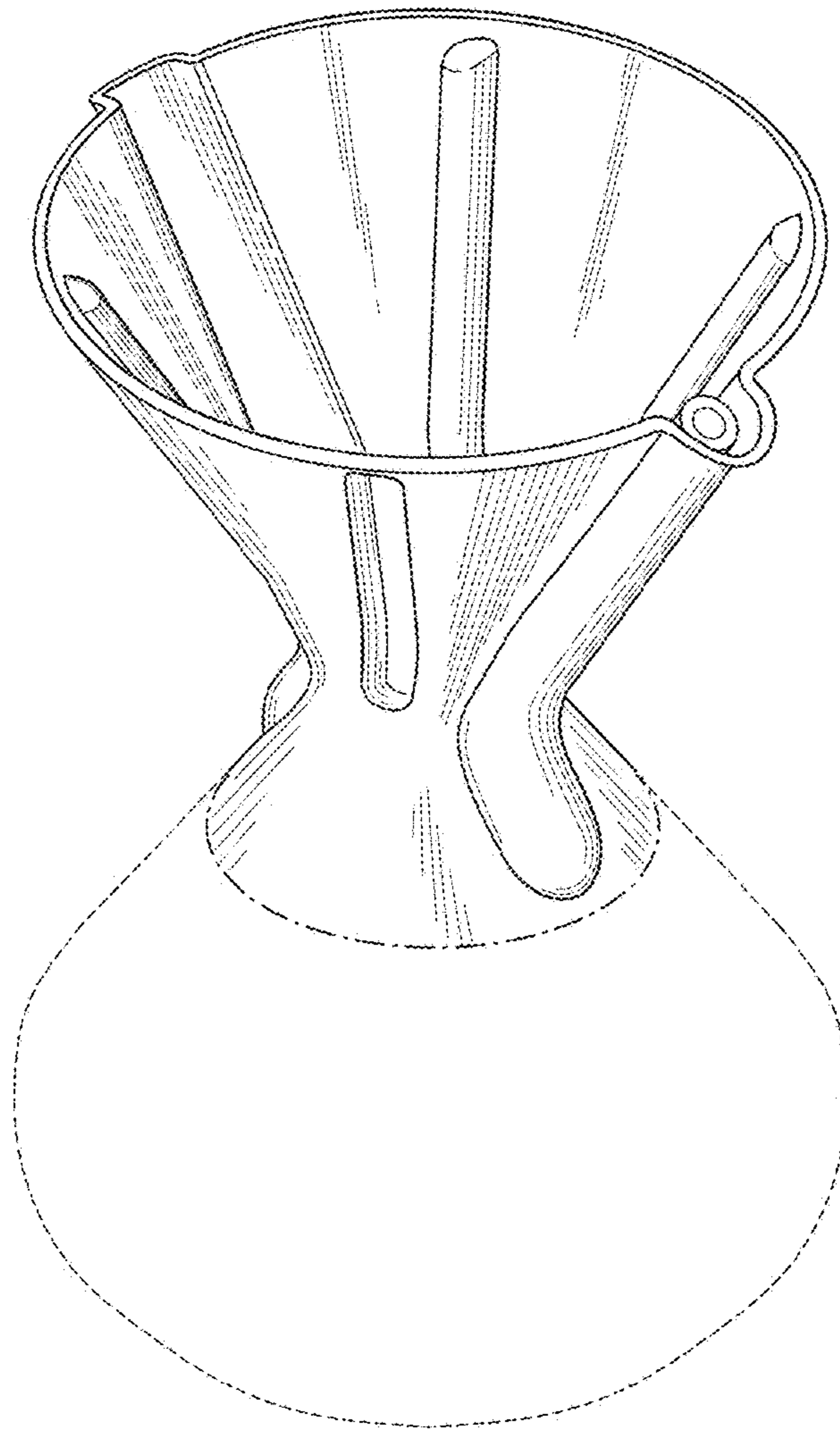


FIG.6

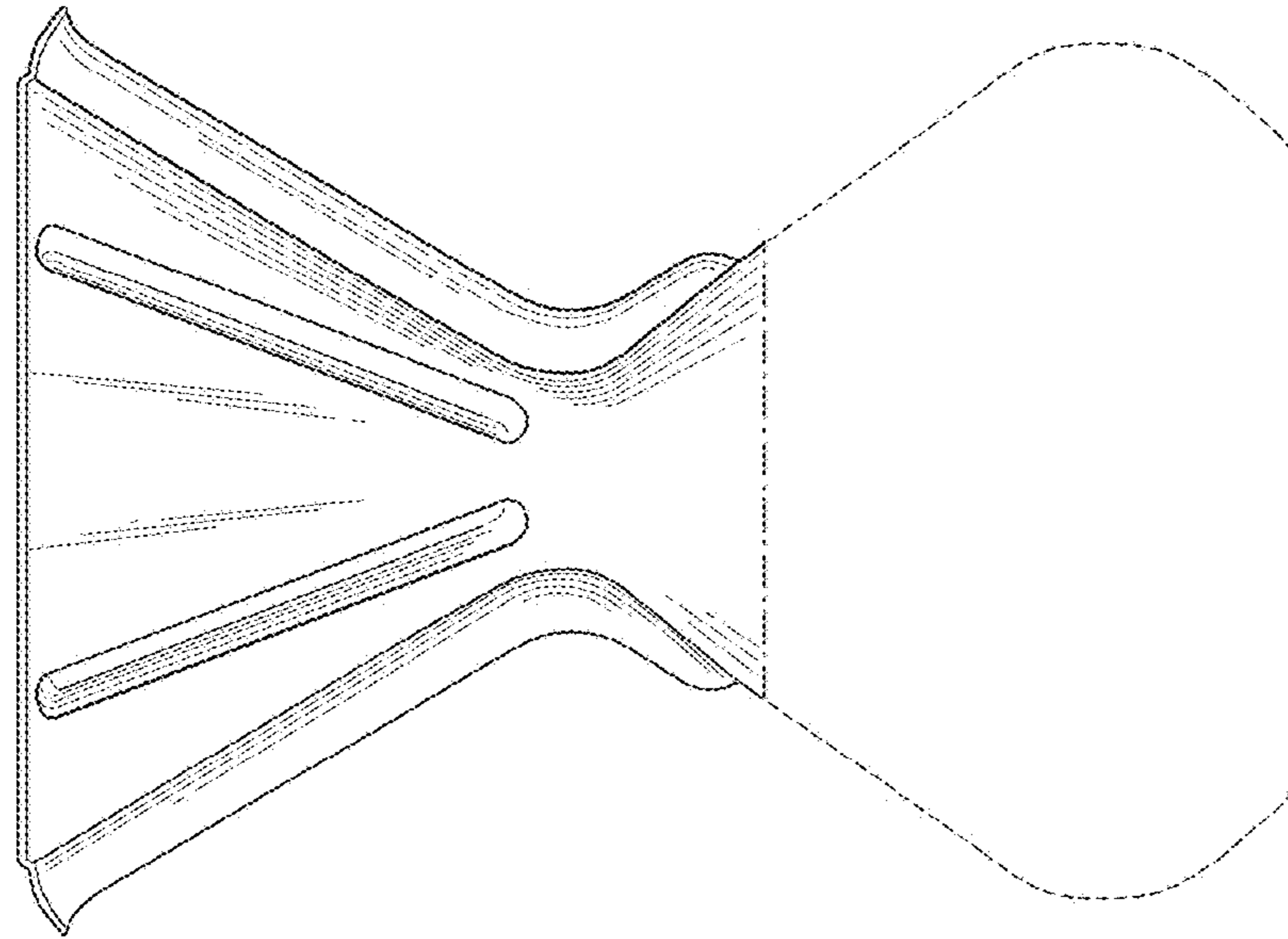


FIG. 9

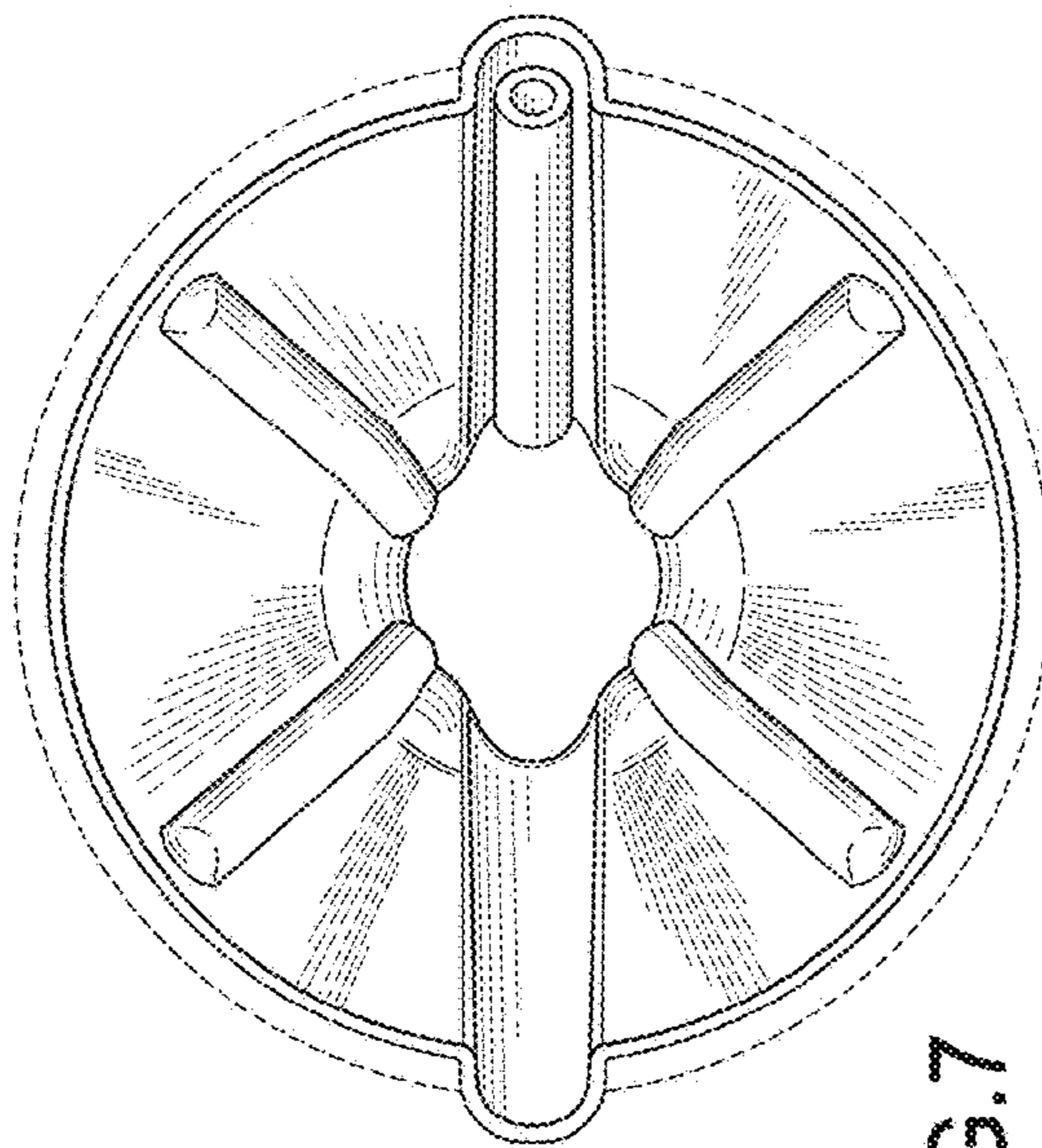


FIG. 7

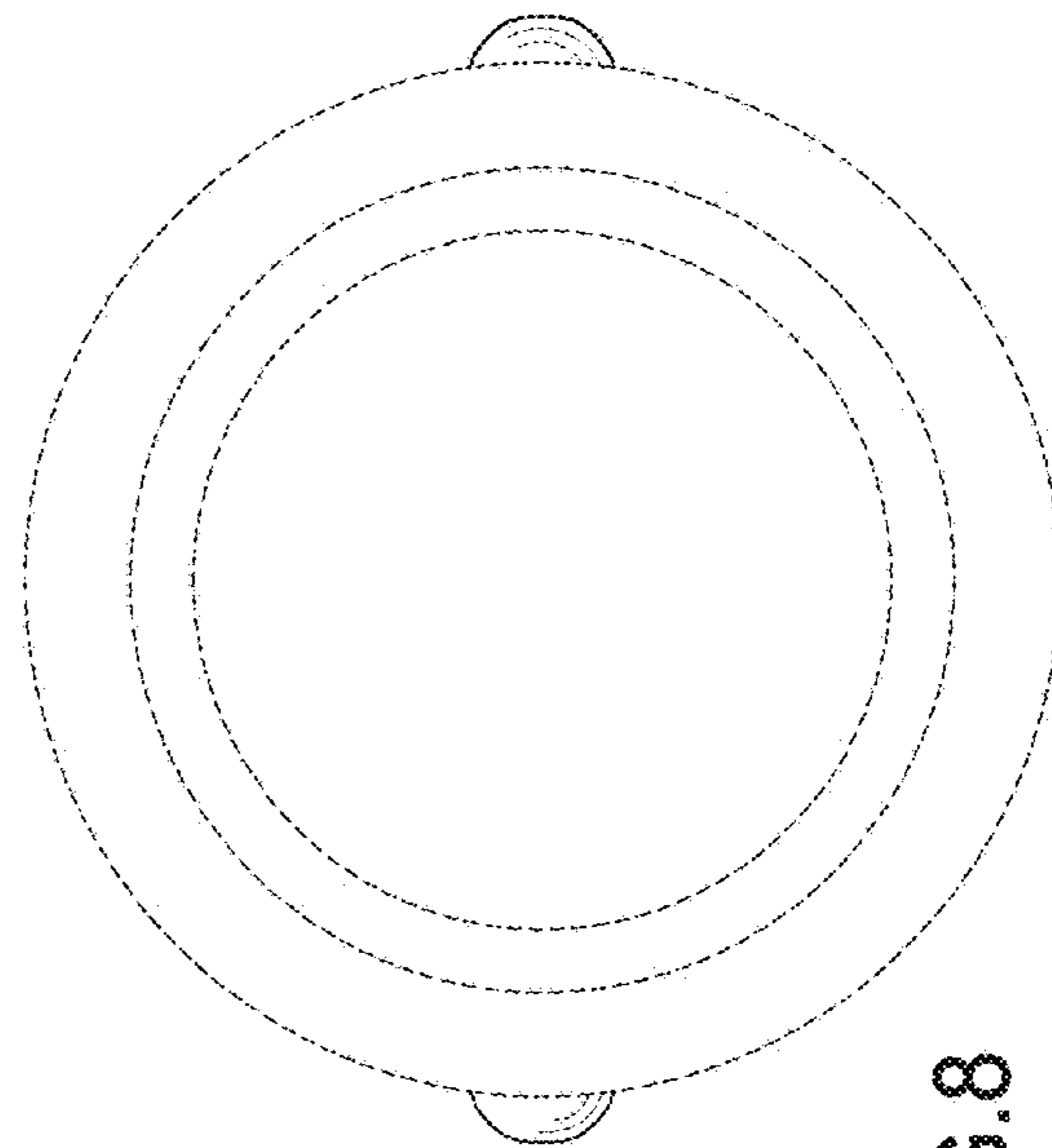


FIG. 8

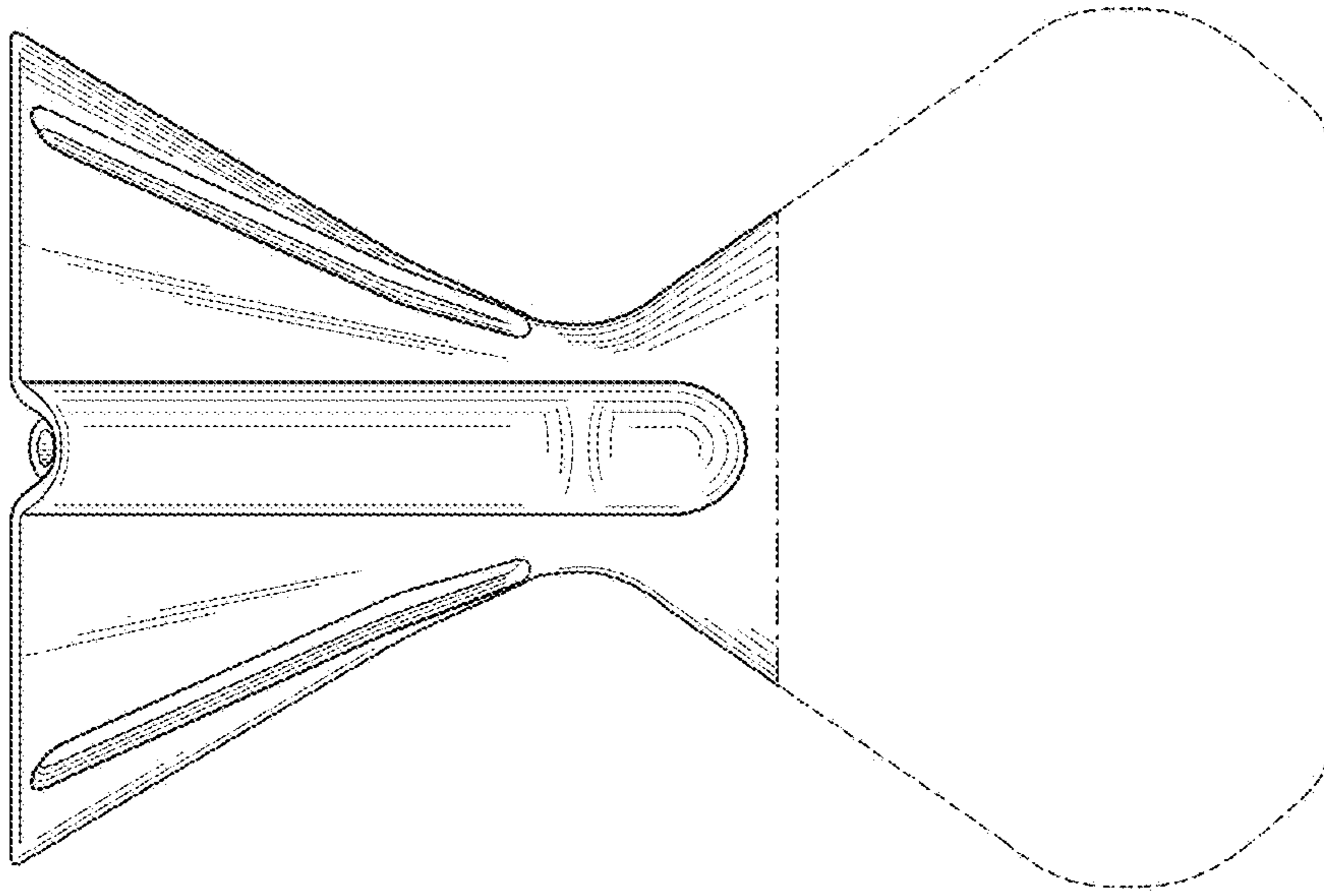


FIG.11

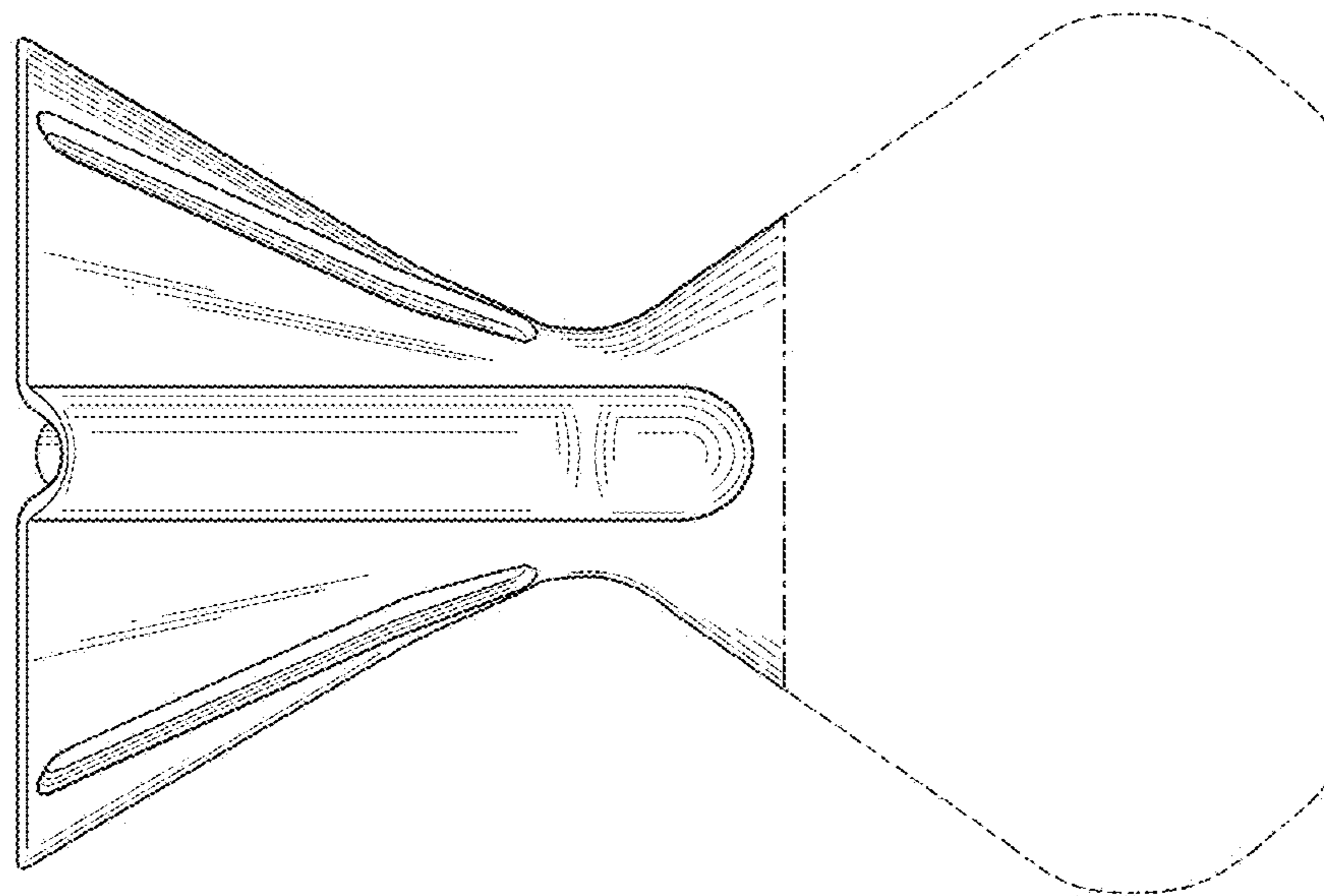


FIG.10

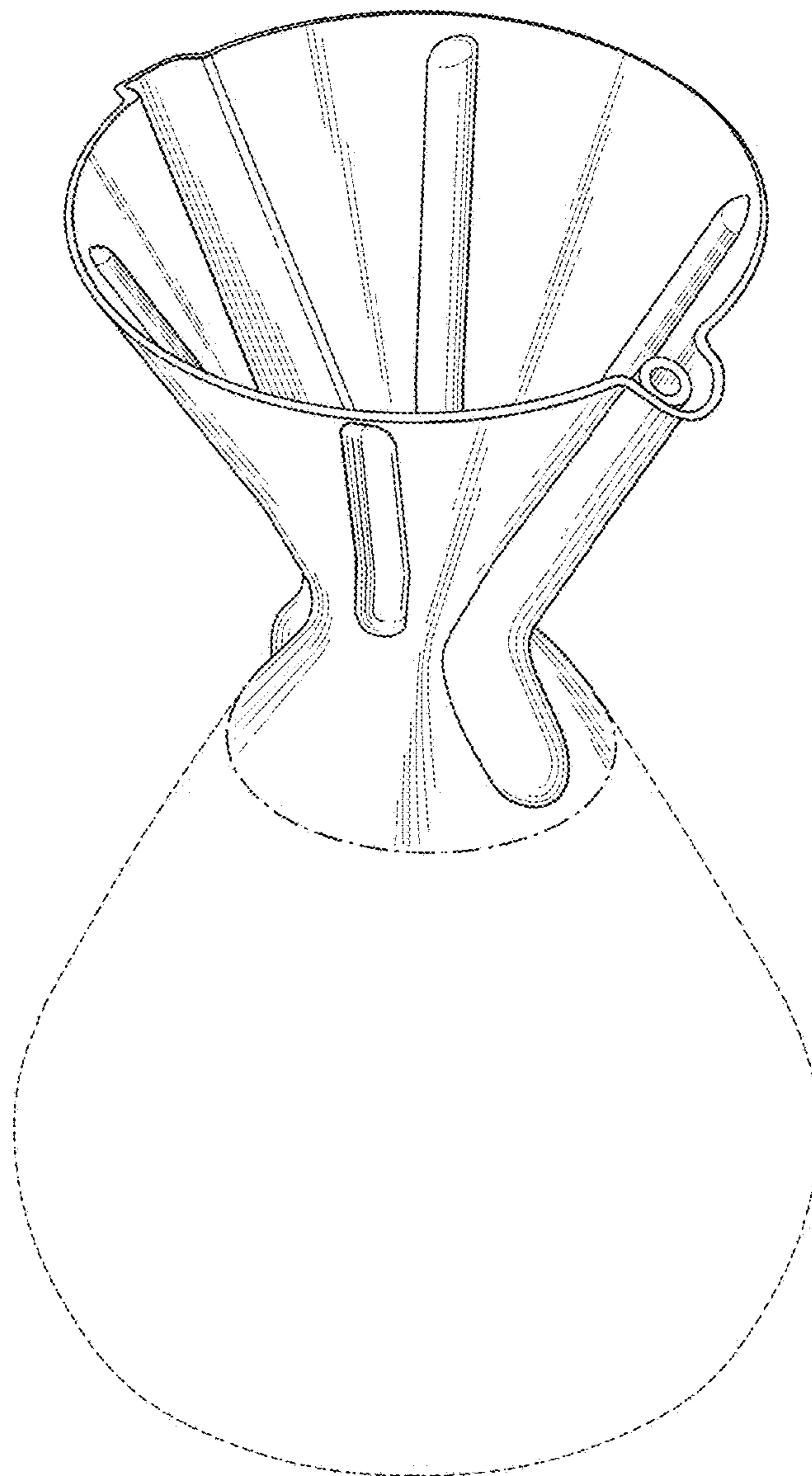


FIG.12

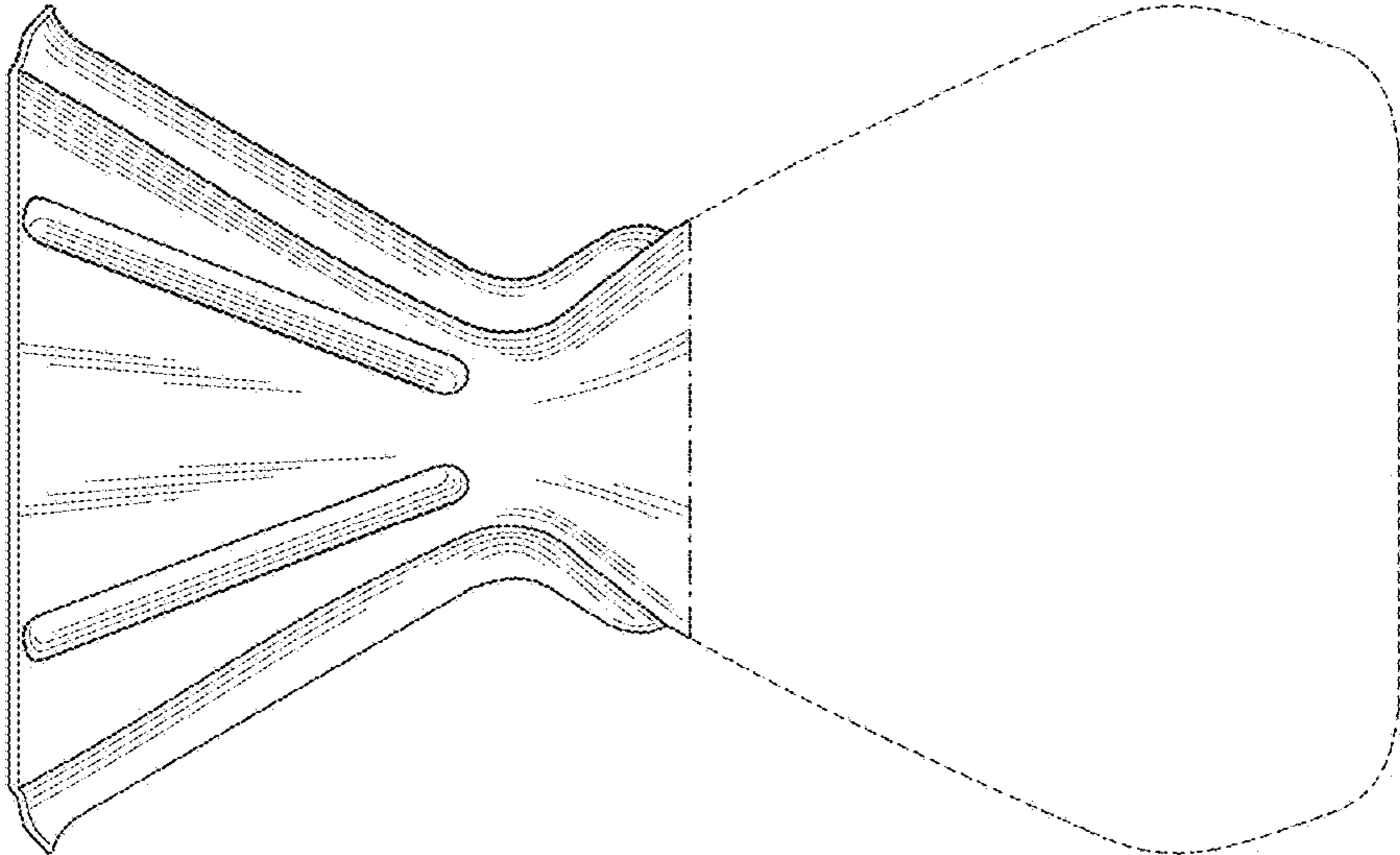


FIG.15

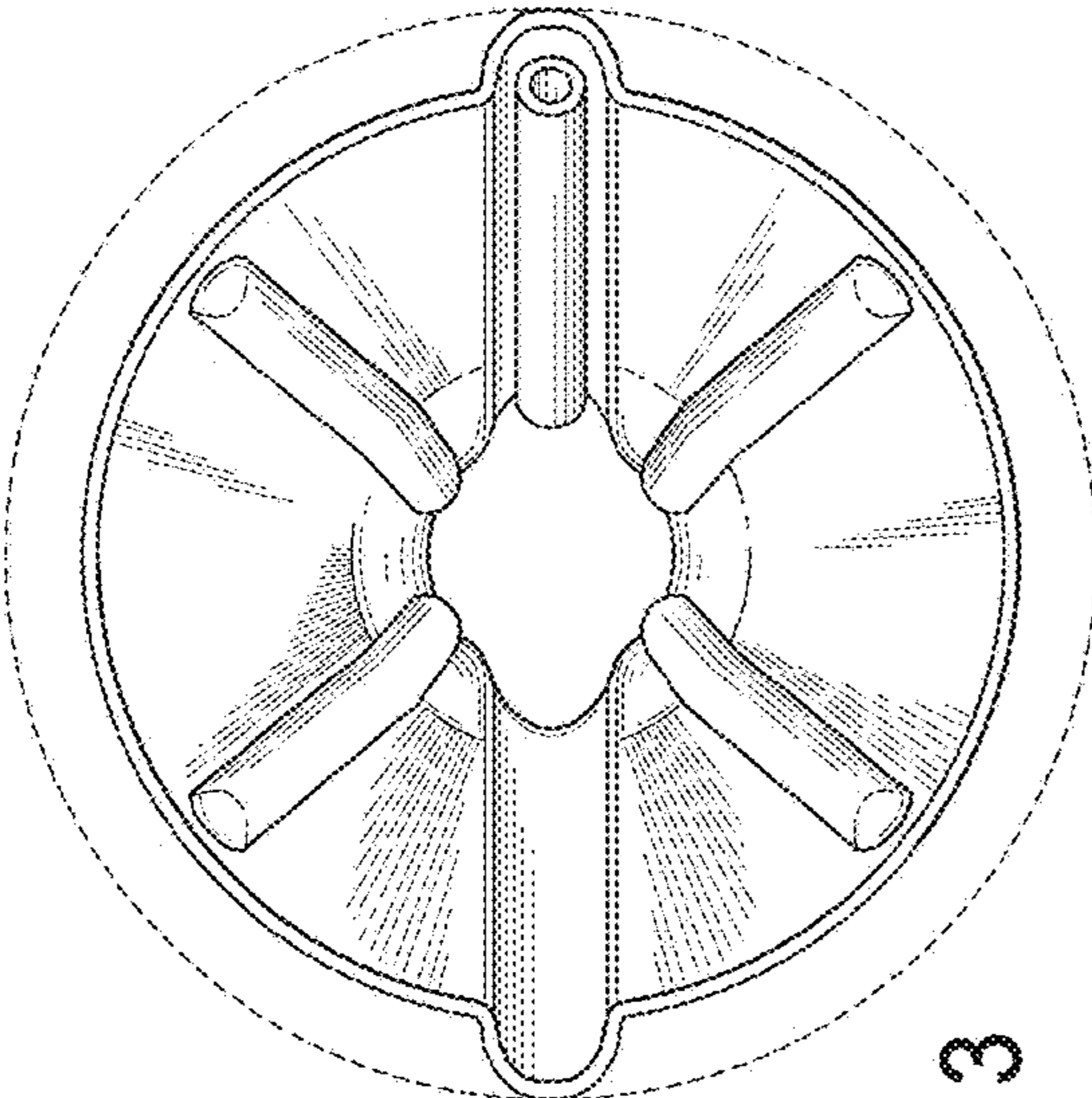


FIG.13

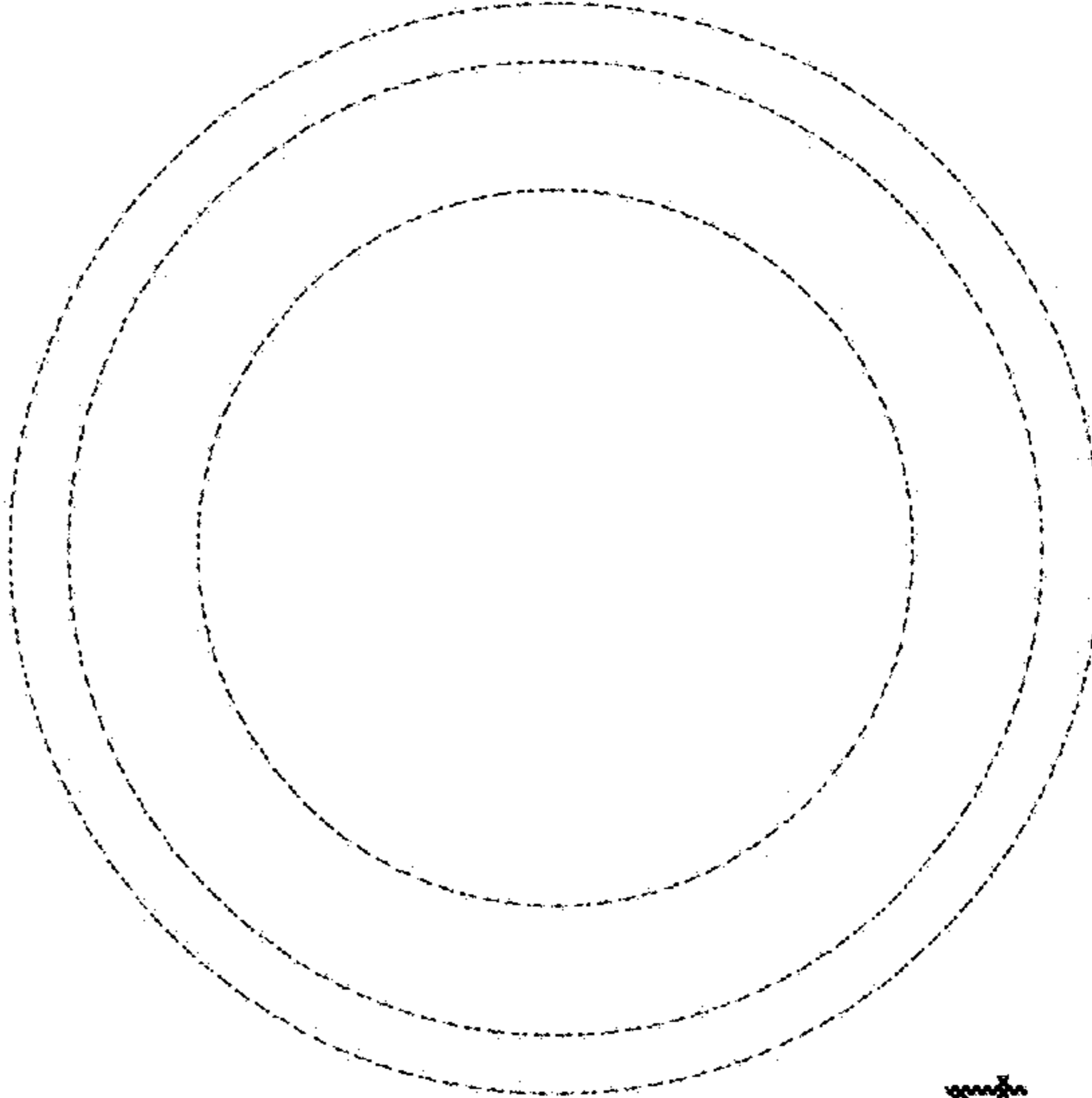


FIG.14

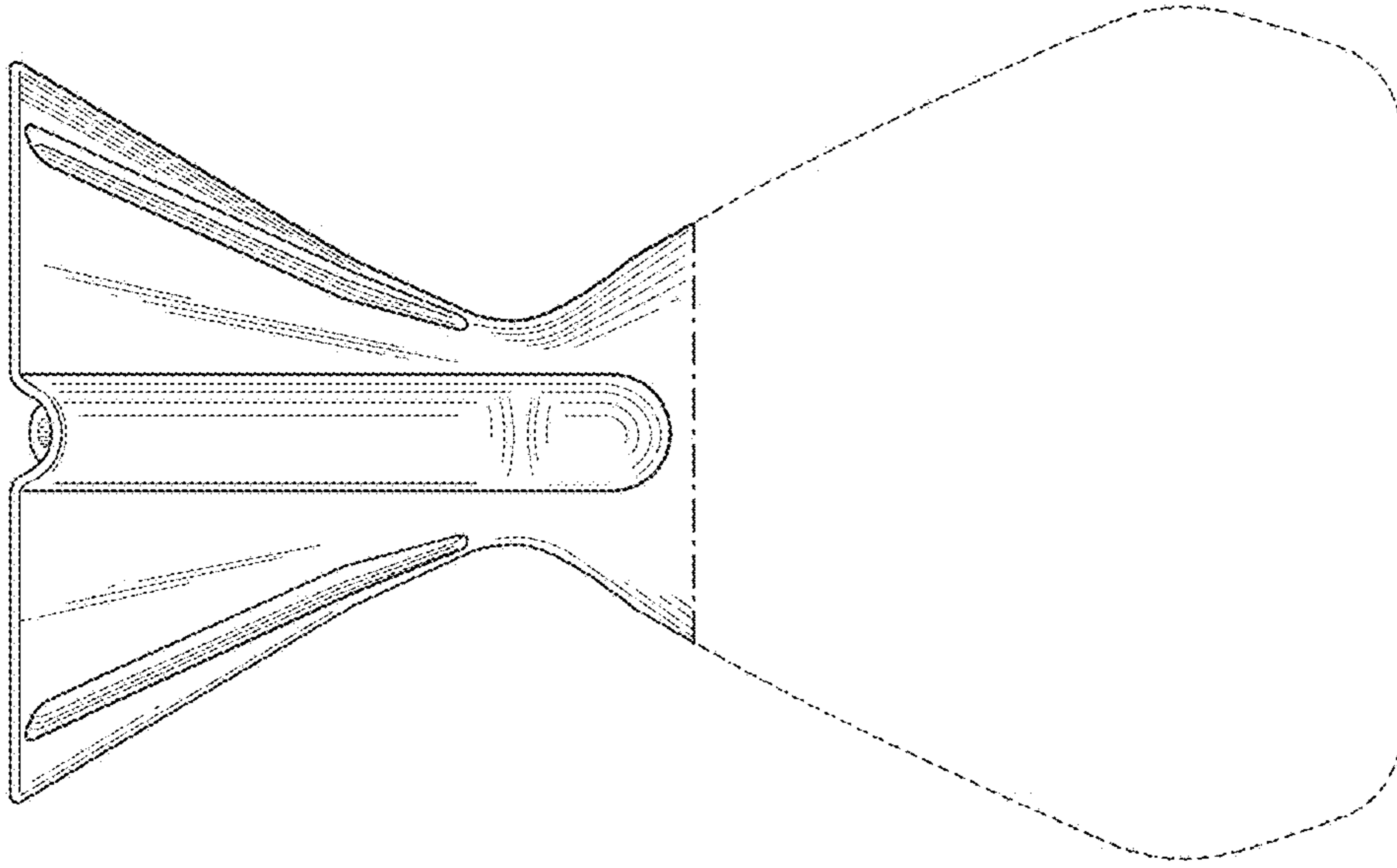


FIG.16

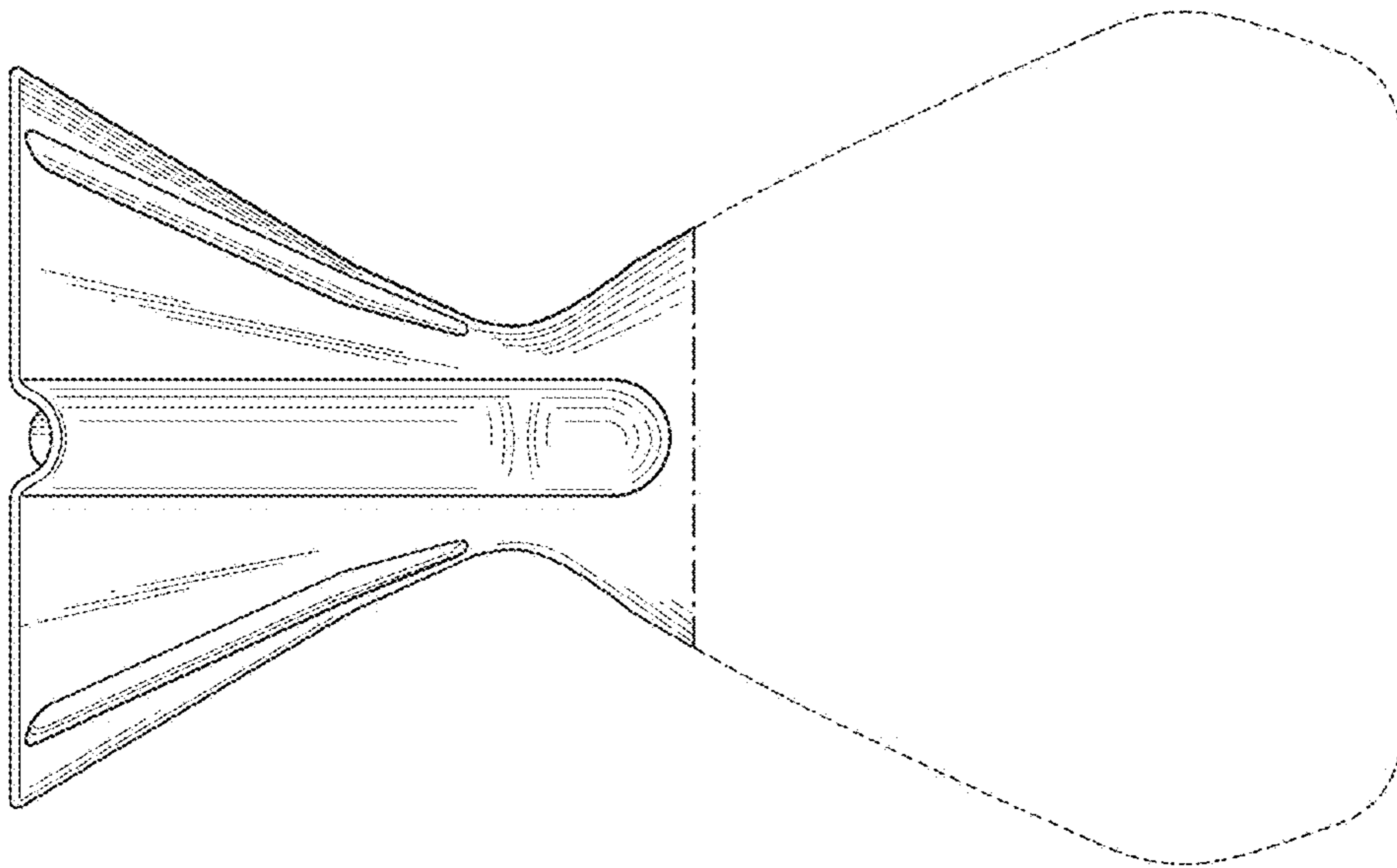


FIG.17