



US00D834884S

(12) **United States Design Patent** (10) **Patent No.:** **US D834,884 S**
McConnell et al. (45) **Date of Patent:** **** Dec. 4, 2018**

- (54) **KETTLE**
- (71) Applicant: **WHIRLPOOL CORPORATION**,
Benton Harbor, MI (US)
- (72) Inventors: **John W. McConnell**, St. Joseph, MI
(US); **Brandon T. Mock**, St. Joseph,
MI (US); **Ben C. Shao**, Clarendon
Hills, IL (US); **ZhaoYi Yin**, Benton
Harbor, MI (US)
- (73) Assignee: **Whirlpool Corporation**, Benton
Harbor, MI (US)
- (**) Term: **15 Years**
- (21) Appl. No.: **29/593,102**
- (22) Filed: **Feb. 6, 2017**
- (51) **LOC (11) Cl.** **07-99**
- (52) **U.S. Cl.**
USPC **D7/397; D7/312**
- (58) **Field of Classification Search**
USPC D7/316-321, 378, 384, 598, 600, 619.1,
D7/622; D9/544, 545, 548, 549
CPC A47J 31/00; A47J 27/21; A47J 27/21008;
A47J 27/21041; A47G 19/22
See application file for complete search history.

(56) **References Cited**

U.S. PATENT DOCUMENTS

D269,318 S	6/1983	Blanchard
D269,585 S	7/1983	Phillips
D272,884 S	3/1984	Seibel
D282,810 S	3/1986	Urich
D375,016 S	10/1996	Ullmann
D390,743 S	2/1998	Saltet
D399,090 S	10/1998	Green
D411,404 S	6/1999	Littmann
D444,988 S	7/2001	Conran
D448,963 S	10/2001	Shim

D449,760 S	10/2001	Yeh
D454,025 S	3/2002	Kopczewski et al.
D478,767 S	8/2003	Lebowitz
D490,641 S	6/2004	Lebowitz
D497,511 S	10/2004	Lebowitz
D498,384 S	11/2004	McWilliam
D501,355 S	2/2005	Graves et al.
D502,838 S	3/2005	Ancona

(Continued)

OTHER PUBLICATIONS

Amazon, Breville BTM800XL One-Touch Tea Maker, first available May 18, 2010, <URL: <https://www.amazon.com/Breville-BTM800XL-One-Touch-Tea-Maker/dp/B003LNOPSG>> (8 pages).

(Continued)

Primary Examiner — Derrick Holland

Assistant Examiner — Andrew Kerr

(74) *Attorney, Agent, or Firm* — Price Heneveld LLP

(57) **CLAIM**

We claim the ornamental design for a kettle, as shown and described.

DESCRIPTION

FIG. 1 is a front perspective view of a kettle, showing our new design;

FIG. 2 is a rear perspective view of the kettle of FIG. 1;

FIG. 3 is a front elevational view of the kettle of FIG. 1;

FIG. 4 is a rear elevational view of the kettle of FIG. 1;

FIG. 5 is a first side elevational view of the kettle of FIG. 1;

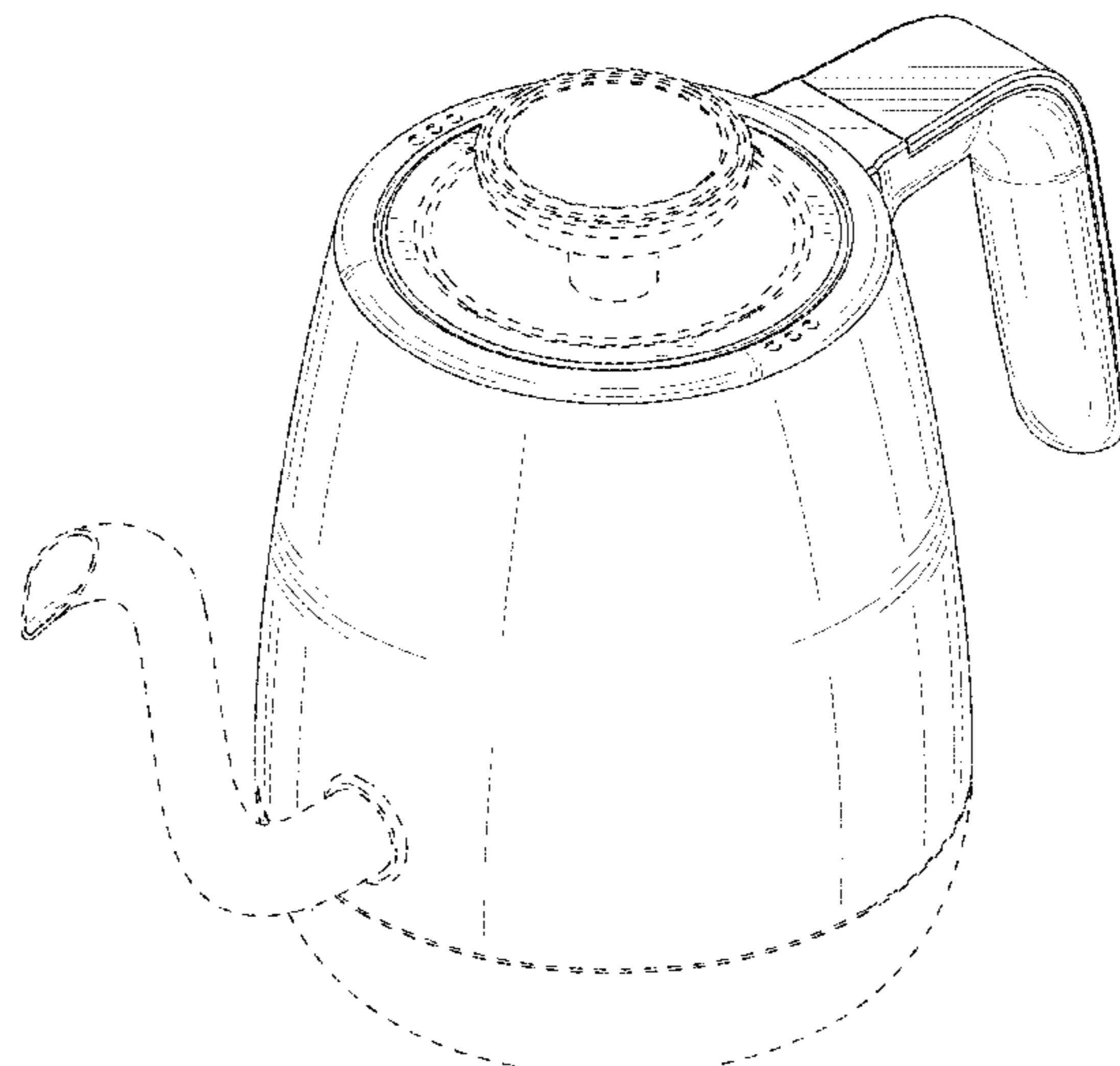
FIG. 6 is a second side elevational view of the kettle of FIG. 1;

FIG. 7 is a top plan view of the kettle of FIG. 1; and,

FIG. 8 is a bottom plan view of the kettle of FIG. 1.

The broken lines in the drawing views represent environmental structure of a kettle, and form no part of the claimed design.

1 Claim, 8 Drawing Sheets



(56)

References Cited

U.S. PATENT DOCUMENTS

D527,940 S 9/2006 Cohen
 D541,100 S 4/2007 Lebowitz
 D554,425 S 11/2007 Schwamkrug
 D573,394 S 7/2008 Tullney et al.
 D574,657 S 8/2008 Lebowitz
 D574,658 S 8/2008 Grund et al.
 D574,659 S 8/2008 Lebowitz
 D574,660 S 8/2008 Grund et al.
 D577,944 S 10/2008 Spiegel
 D581,718 S 12/2008 Verdun
 D598,235 S 8/2009 Cozolino
 D602,304 S 10/2009 Elissen
 D620,303 S 7/2010 Mondragon et al.
 D626,780 S 11/2010 Gatto
 D630,882 S * 1/2011 Cohen D7/317
 D638,248 S 5/2011 Lebowitz et al.
 D642,005 S 7/2011 Geissler et al.
 D643,241 S 8/2011 McCormick et al.
 D646,520 S 10/2011 Collinson
 D646,522 S 10/2011 Collinson
 D653,896 S 2/2012 Wilt
 D655,124 S 3/2012 Schenk
 D663,163 S 7/2012 Dick et al.
 D663,567 S 7/2012 Littmann et al.
 D668,095 S 10/2012 Green et al.
 D680,792 S 4/2013 Bodum
 D682,601 S 5/2013 Grasselli et al.
 D683,997 S 6/2013 Sehdev
 D683,998 S 6/2013 Sehdev

D686,864 S 7/2013 Poul et al.
 D688,506 S 8/2013 Steiner
 D691,417 S 10/2013 Dichraff et al.
 D703,479 S 4/2014 Norland et al.
 D713,669 S 9/2014 Norland et al.
 D714,581 S 10/2014 Shao
 D714,582 S 10/2014 Norland et al.
 D714,586 S 10/2014 Grasselli et al.
 D718,974 S * 12/2014 De'Longhi D7/317
 D720,176 S 12/2014 Norland et al.
 D726,486 S 4/2015 Averty
 D727,675 S 4/2015 Garvey
 D731,226 S * 6/2015 Sun D7/316
 D747,130 S 1/2016 Kunz
 D784,063 S * 4/2017 Bond D7/317
 D788,511 S * 6/2017 Powell D7/318
 D796,246 S * 9/2017 Thurlow D7/312
 2004/0149729 A1 * 8/2004 Kressmann A47J 27/21083
 219/494

OTHER PUBLICATIONS

Inspired2Cook, My New Tea Kettle, posted on Oct. 31, 2008, <URL: <http://www.inspired2cook.com/2008/10/31/my-new-tea-kettle/>> (5 pages).
 Amazon, Cuisinart PTK-330W PerfecTemp Tea kettle, first available Aug. 1, 2008, <URL: https://www.amazon.com/Cuisinart-PTK-330W-PerfecTemp-Porcelain-Teakettle/dp/800101IH2S/ref=br_lf_m_wx3d3ar7qywe6po_ttl?_encoding=UTF8&s=kitchen> (7 pages).

* cited by examiner

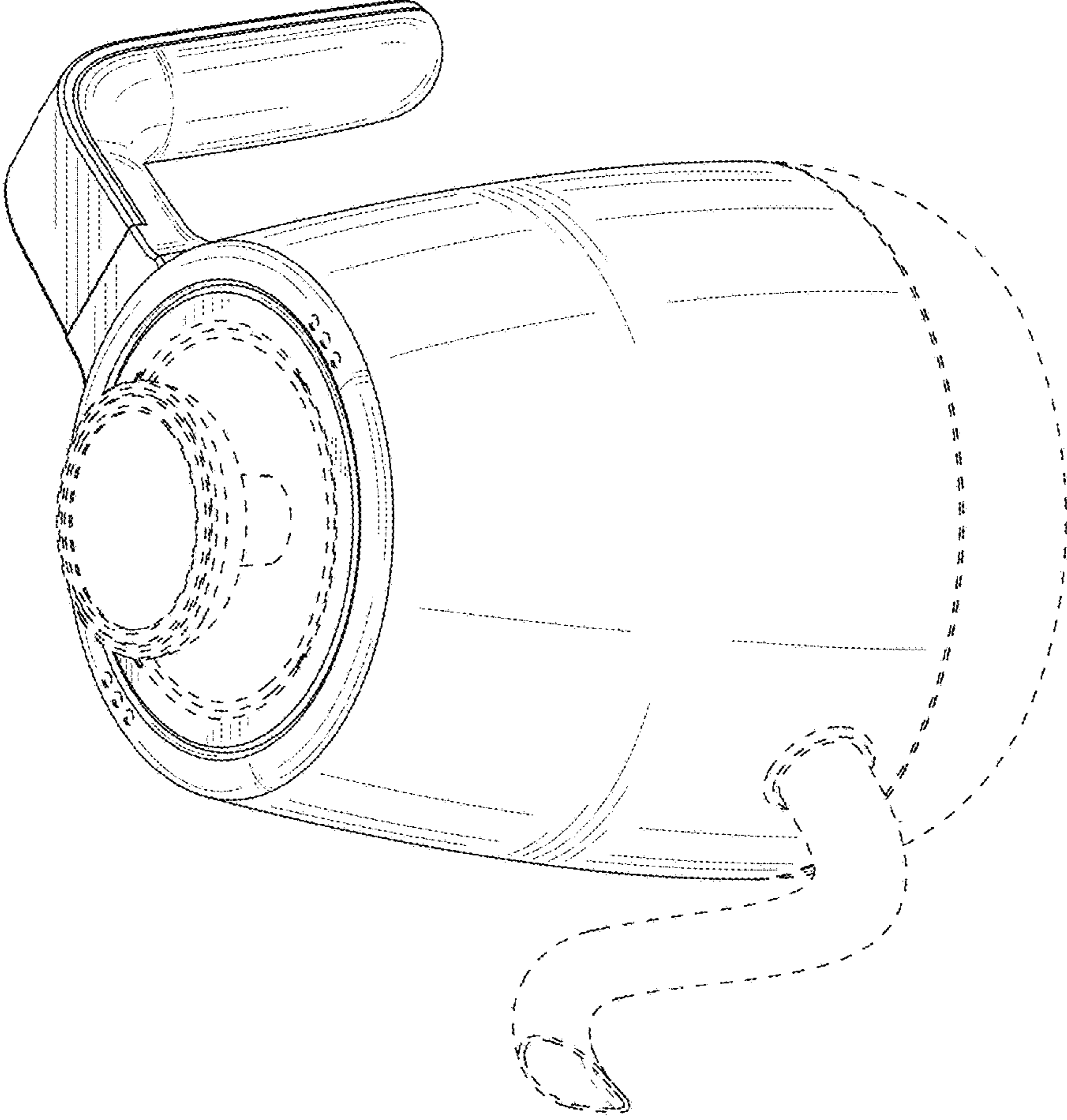


FIG. 1

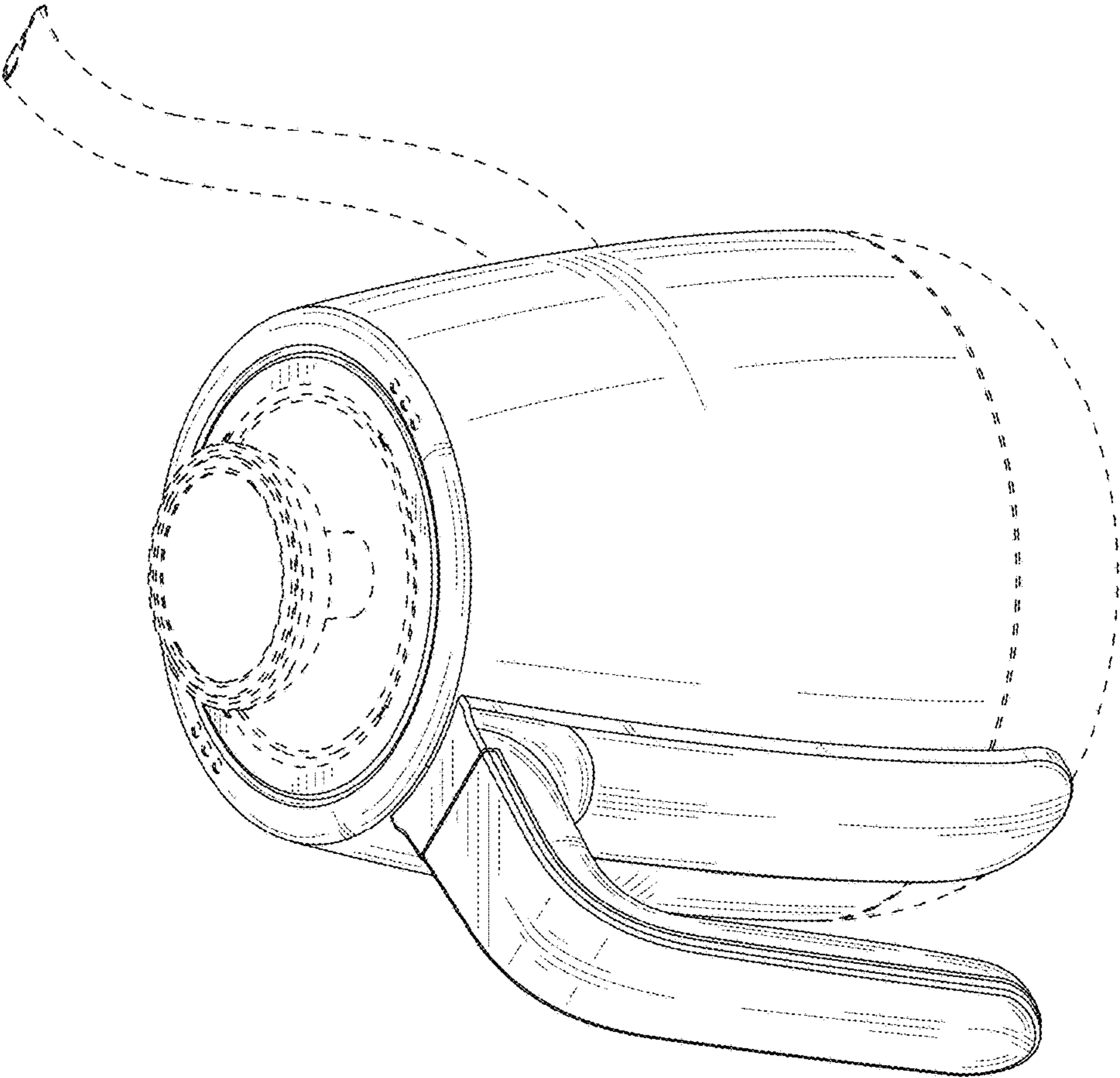


FIG. 2

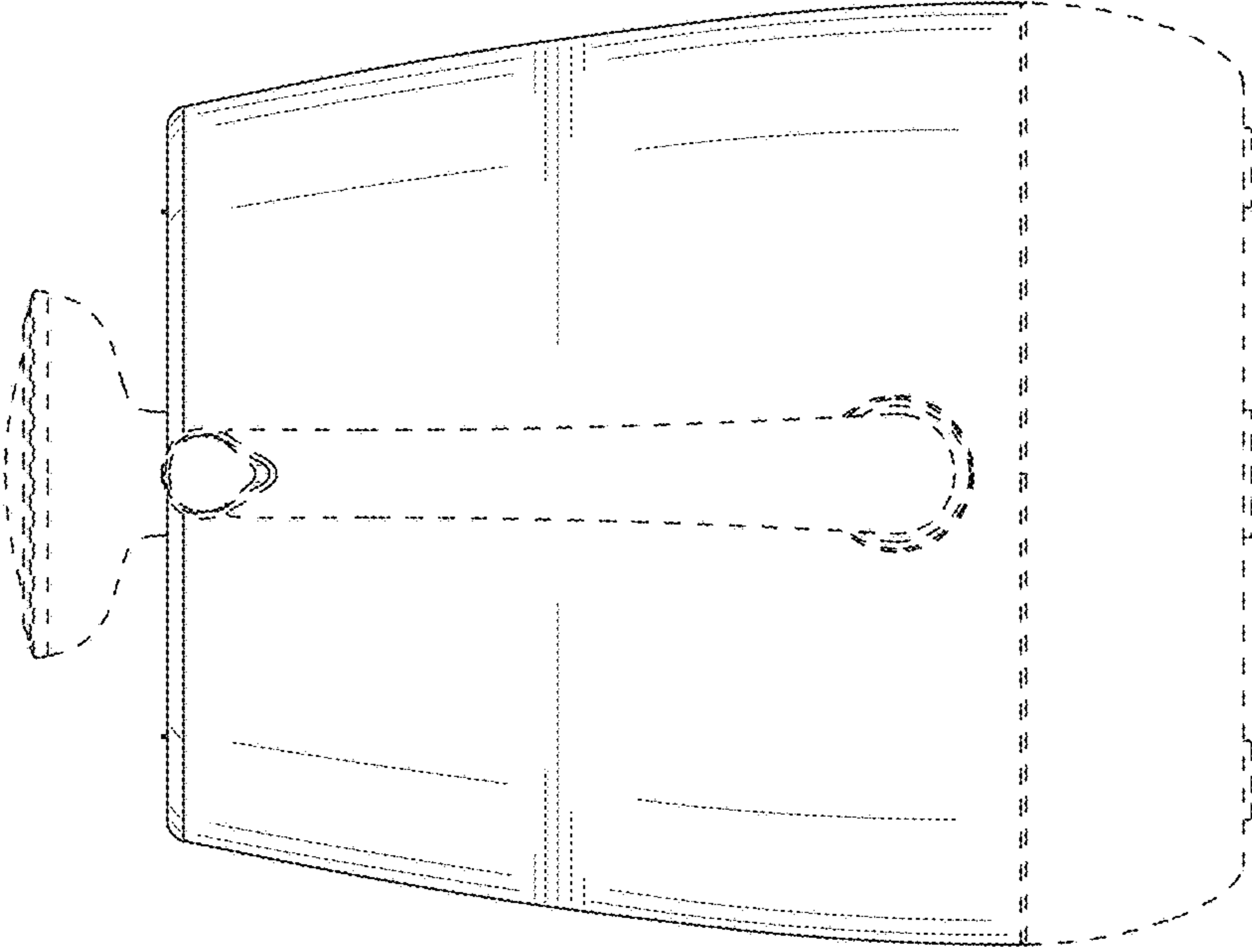


FIG. 3

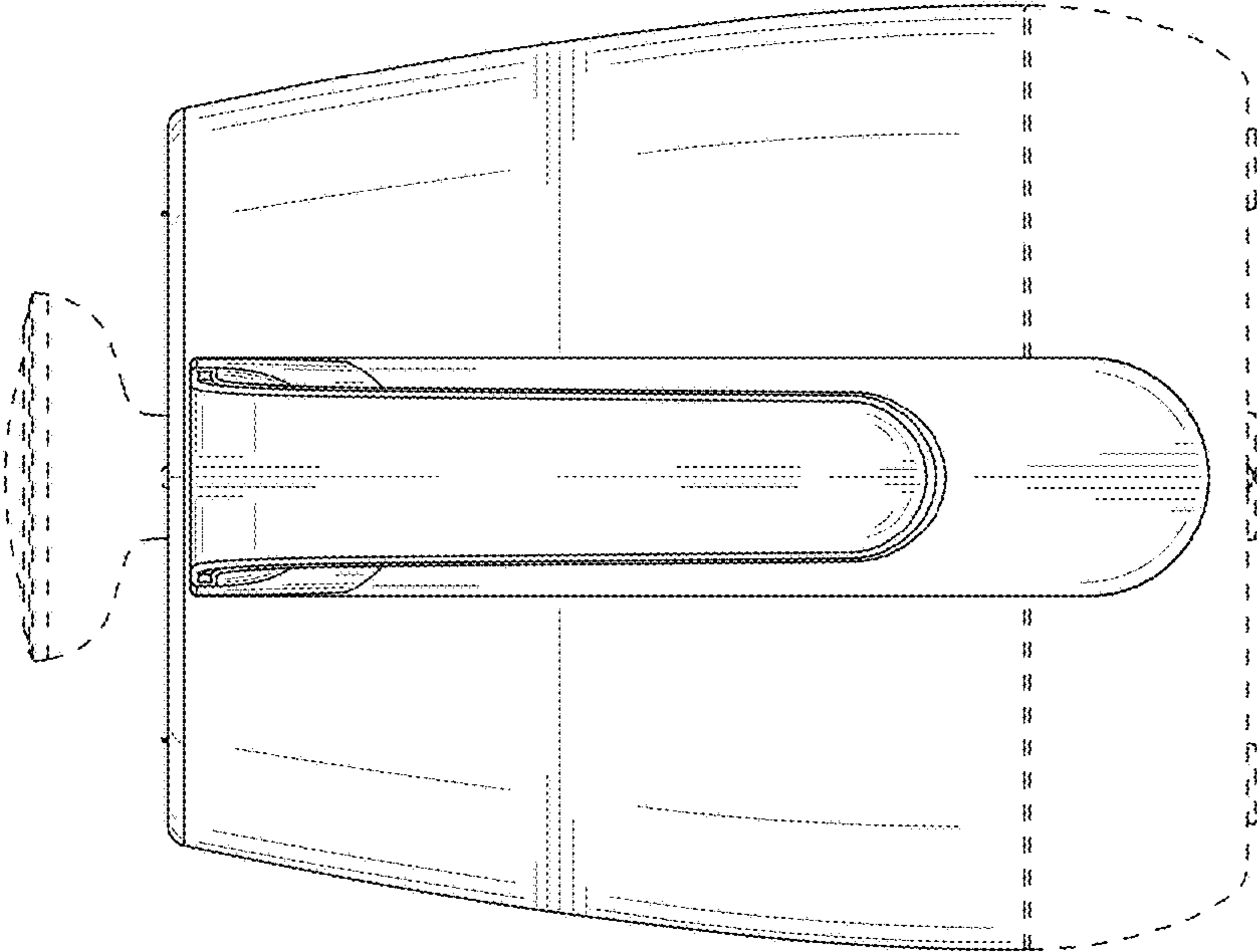


FIG. 4

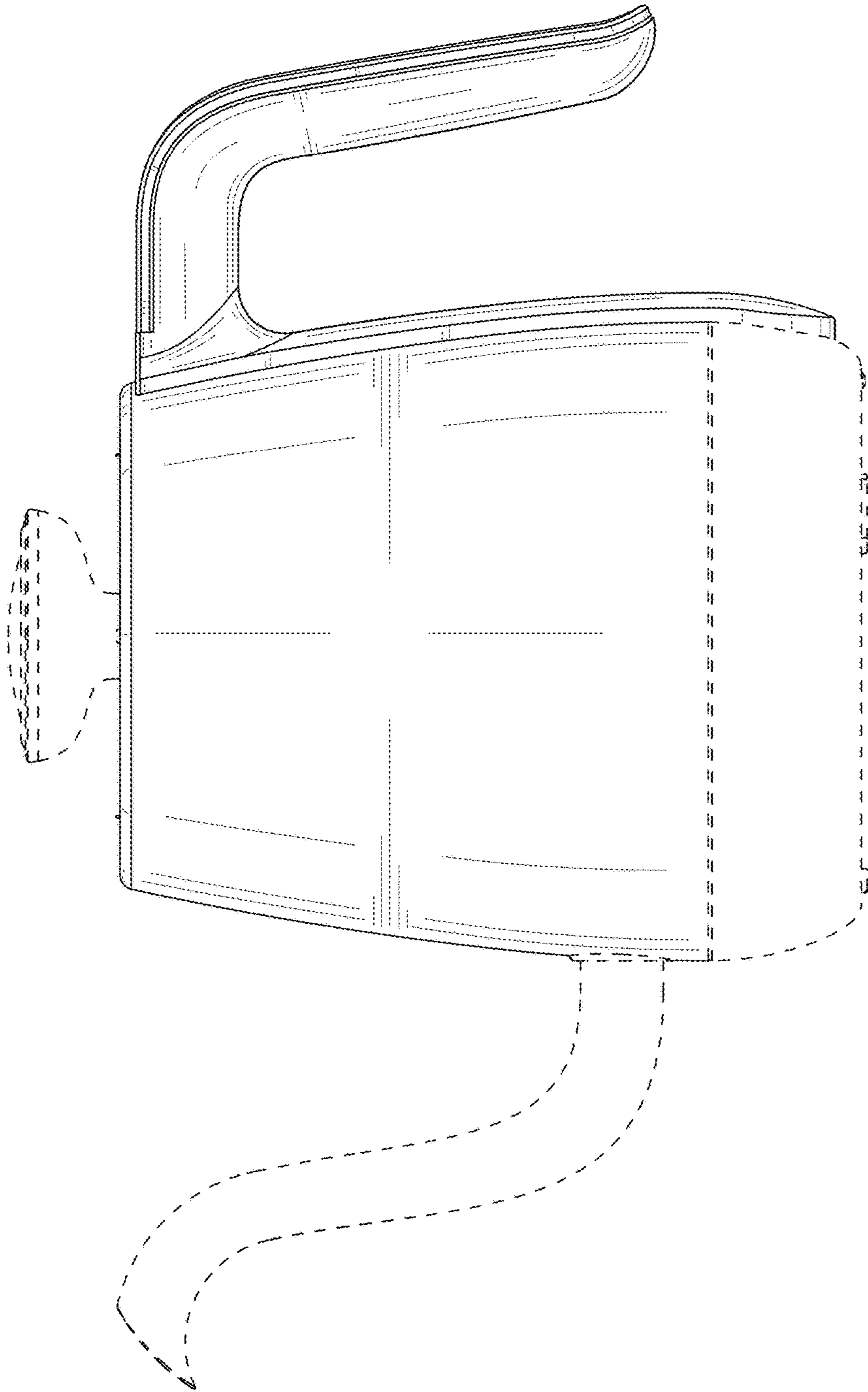


FIG. 5

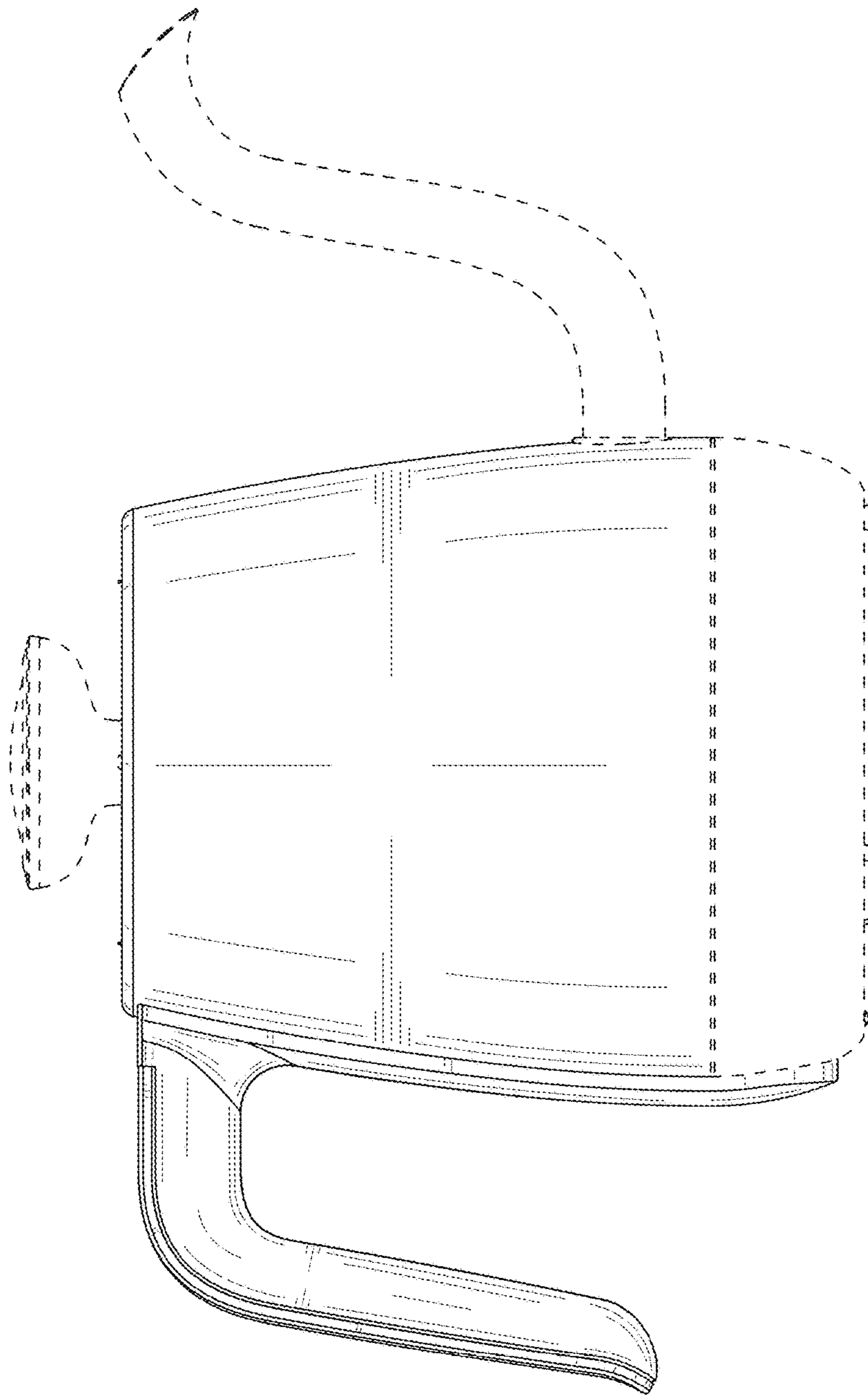


FIG. 6

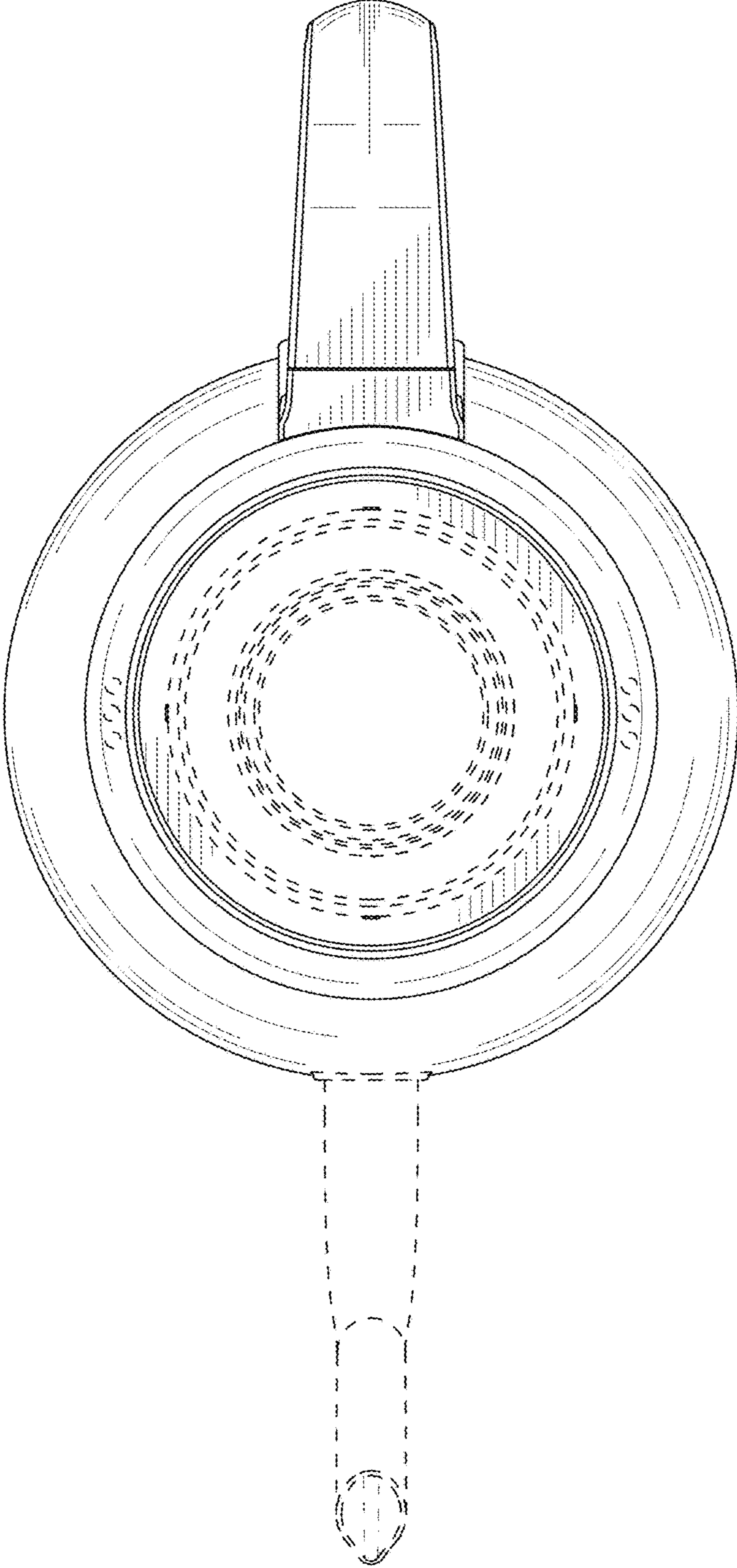


FIG. 7

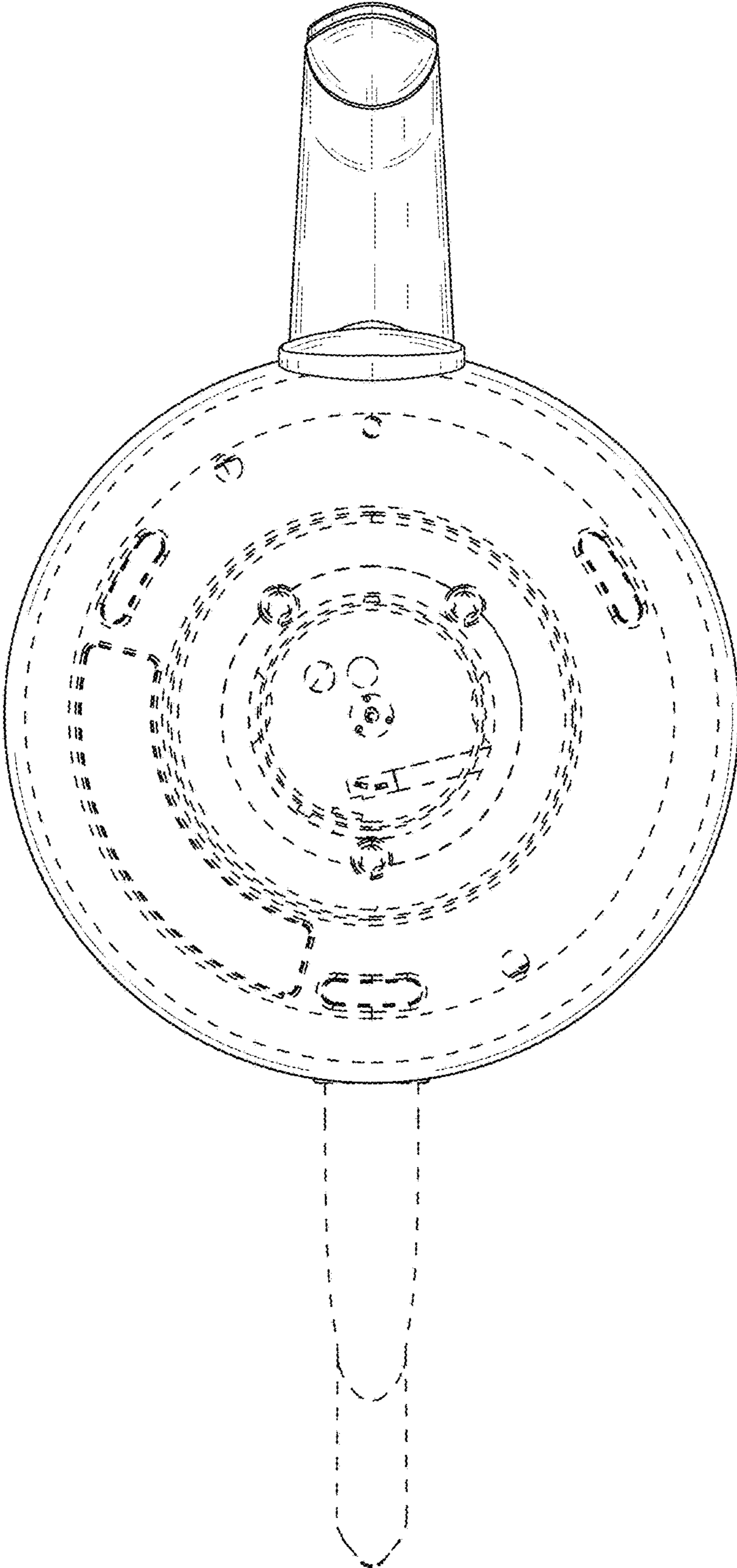


FIG. 8