



US00D834883S

(12) **United States Design Patent**
Lane et al.

(10) **Patent No.:** **US D834,883 S**

(45) **Date of Patent:** **** Dec. 4, 2018**

(54) **LID FOR DRINKING CONTAINER**

(71) Applicant: **THERMOS L.L.C.**, Schaumburg, IL (US)

(72) Inventors: **Marvin Lane**, Wheeling, IL (US);
Dwayne Boroski, Lake in the Hills, IL (US)

(73) Assignee: **Thermos L.L.C.**, Schaumburg, IL (US)

(**) Term: **15 Years**

(21) Appl. No.: **29/596,627**

(22) Filed: **Mar. 9, 2017**

(51) **LOC (11) Cl.** **07-01**

(52) **U.S. Cl.**

USPC **D7/396.2**

(58) **Field of Classification Search**

USPC D3/202; D7/300, 300.1, 313, 314, 316,
D7/387, 393, 396, 396.1, 396.2, 397, 398,
(Continued)

(56) **References Cited**

U.S. PATENT DOCUMENTS

D304,424 S * 11/1989 Dawson D9/453
D363,665 S * 10/1995 Goto D7/511
(Continued)

FOREIGN PATENT DOCUMENTS

JP 3318752 B2 * 8/2002 B65D 41/3428
WO WO-2005118420 A1 * 12/2005 B65D 51/18
WO WO-2007105968 A1 * 9/2007 B65D 47/266

OTHER PUBLICATIONS

Thermos Stainless Steel Vacuum Insulated Tumbler: Site Visited Dec. 7, 2017. Available from Internet URL: <https://www.thermos.com/index.php/mugs-and-tumblers/genuine-thermos-brand-stainless-king-vacuum-insulated-stainless-steel-tumblerwith-360-degree-drink-lid-20oz.html>.*

Primary Examiner — Jennifer Rivard

Assistant Examiner — Catherine S Posthauer

(74) *Attorney, Agent, or Firm* — Polsinelli PC

(57) **CLAIM**

The ornamental design for a lid for drinking container, as shown and described.

DESCRIPTION

FIG. 1 is a perspective view of a first embodiment of the lid for drinking container;

FIG. 2 is a front view of the first embodiment of the lid for drinking container;

FIG. 3 is a rear view of the first embodiment of the lid for drinking container;

FIG. 4 is a right side view of the first embodiment of the lid for drinking container;

FIG. 5 is a left side view of the first embodiment of the lid for drinking container;

FIG. 6 is a top view of the first embodiment of the lid for drinking container;

FIG. 7 is a bottom view of the first embodiment of the lid for drinking container;

FIG. 8 is a perspective view of a second embodiment of the lid for drinking container;

FIG. 9 is a front view of the second embodiment of the lid for drinking container;

FIG. 10 is a rear view of the second embodiment of the lid for drinking container;

FIG. 11 is a right side view of the second embodiment of the lid for drinking container;

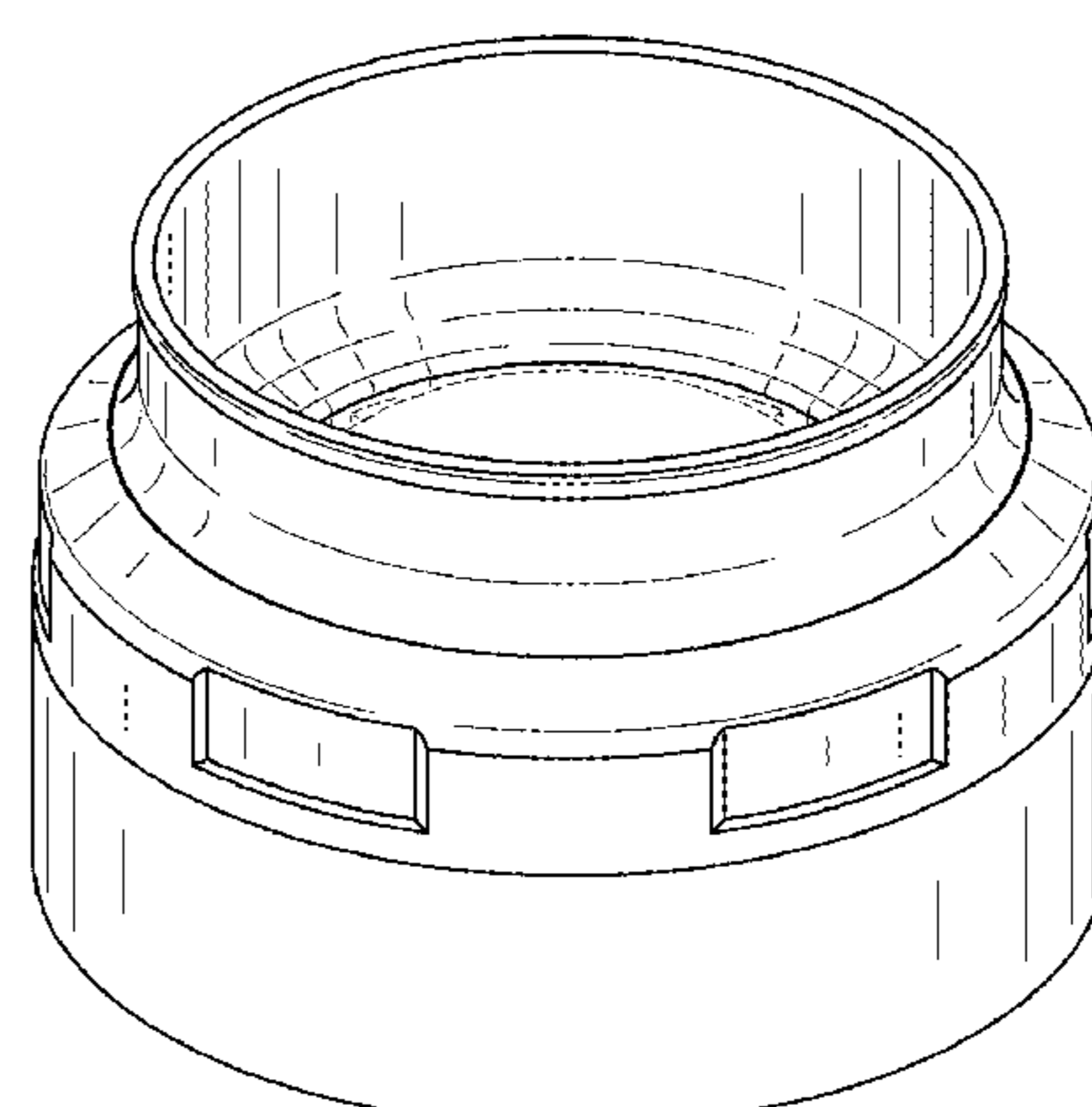
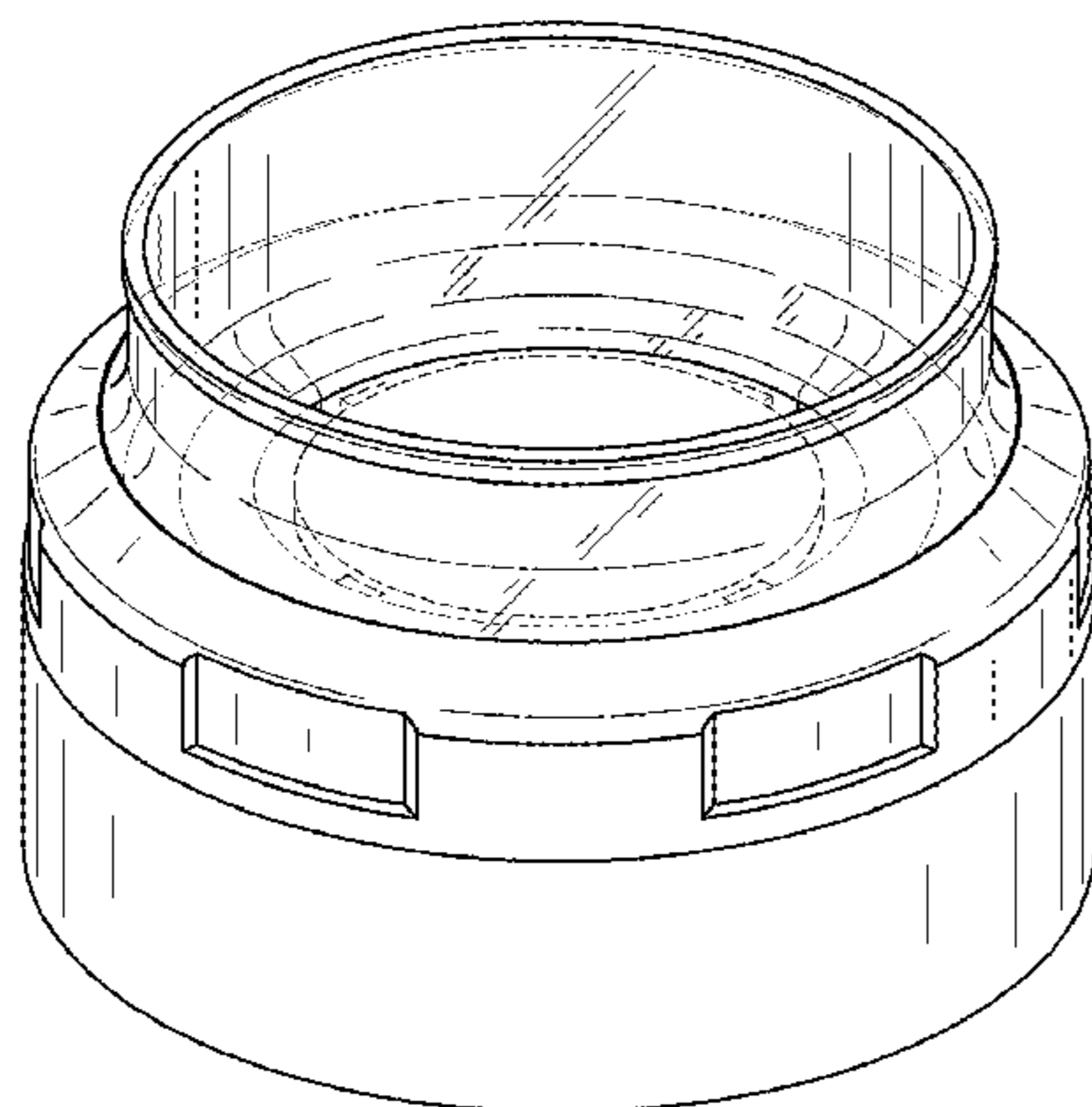
FIG. 12 is a left side view of the second embodiment of the lid for drinking container;

FIG. 13 is a top view of the second embodiment of the lid for drinking container; and,

FIG. 14 is a bottom view of the second embodiment of the lid for drinking container.

The evenly broken lines are shown for the purpose of illustrating parts of the lid for drinking container that form no part of the claimed design. The dot-dash broken lines,

(Continued)



shown in FIGS. 7 and 14, represent the boundaries of the claim and form no part thereof.

1 Claim, 8 Drawing Sheets

(58) Field of Classification Search

USPC D7/401.1, 509, 510, 511, 523, 525, 527, D7/528, 538, 900; D9/434, 435, 436, D9/437, 438, 440, 443, 446, 447, 448, D9/449, 452, 453, 454, 686, 688, 690, D9/723, 724, 763; D24/121, 122, 127, D24/129, 216, 224; D28/76, 78, 82; D23/206, 249, 259, 260
CPC B65D 41/00; B65D 41/02; B65D 41/026; B65D 41/0414; B65D 41/0421; B65D 41/0428; B65D 41/0476; B65D 41/0485; B65D 41/0492; B65D 41/16; B65D 41/17; B65D 41/26; B65D 41/32; B65D 41/46; B65D 41/3428; B65D 51/18; B65D 55/02; B65D 55/08; B65D 55/0863; B65D 2101/00; B65D 2101/0023; B65D 2101/0069; B65D 2251/0015; B65D 2251/0087; B65D 2543/00092; B65D 2543/00296; B65D 2543/00509; B65D 2543/00527; B65D 2543/00537; B65D 2543/00533; B65D 2543/00629; B65D 2543/00685; B65D 2543/0074; B65D 2543/00759; B65D 2543/00805; B65D 2543/00814; B65D 2543/00046; B65D 2543/00231; B65D 2543/00842; B65D 43/0212; B65D

43/0256; B65D 43/026; B65D 43/02; B65D 43/0202; B65D 47/265; B65D 50/00; B65D 50/041; B65D 53/00; B65D 53/02; B65D 53/04; A47G 19/2205; A47G 19/2222; A47G 19/2266; A47G 19/2272; A47G 19/2294; A47J 36/10; A47J 36/14; A47J 36/06; A61M 2207/00; F16L 21/08

See application file for complete search history.

(56)

References Cited

U.S. PATENT DOCUMENTS

D366,615 S * 1/1996 Gearin D9/434
D419,071 S * 1/2000 Peters D9/449
D427,667 S * 7/2000 Stout, Jr. D23/262
D439,637 S * 3/2001 Davies D23/262
D472,143 S * 3/2003 Martin D9/434
D480,639 S * 10/2003 Ciavarella D9/434
D561,877 S * 2/2008 Hopkins D23/263
D594,937 S * 6/2009 Price D23/259
D600,120 S * 9/2009 Kawamura D9/452
D654,151 S * 2/2012 Nease D23/260
D701,763 S * 4/2014 Chur D9/435
D710,485 S * 8/2014 Nudo D23/262
D721,963 S * 2/2015 Finkbohner D9/453
D723,906 S * 3/2015 Kato D8/382
D750,739 S * 3/2016 Baird D23/209
D772,064 S * 11/2016 Boroski D9/436
D795,064 S * 8/2017 Moore D9/446
D797,559 S * 9/2017 Lerman D9/500
2010/0038337 A1 * 2/2010 Garboni B65D 47/043
215/253

* cited by examiner

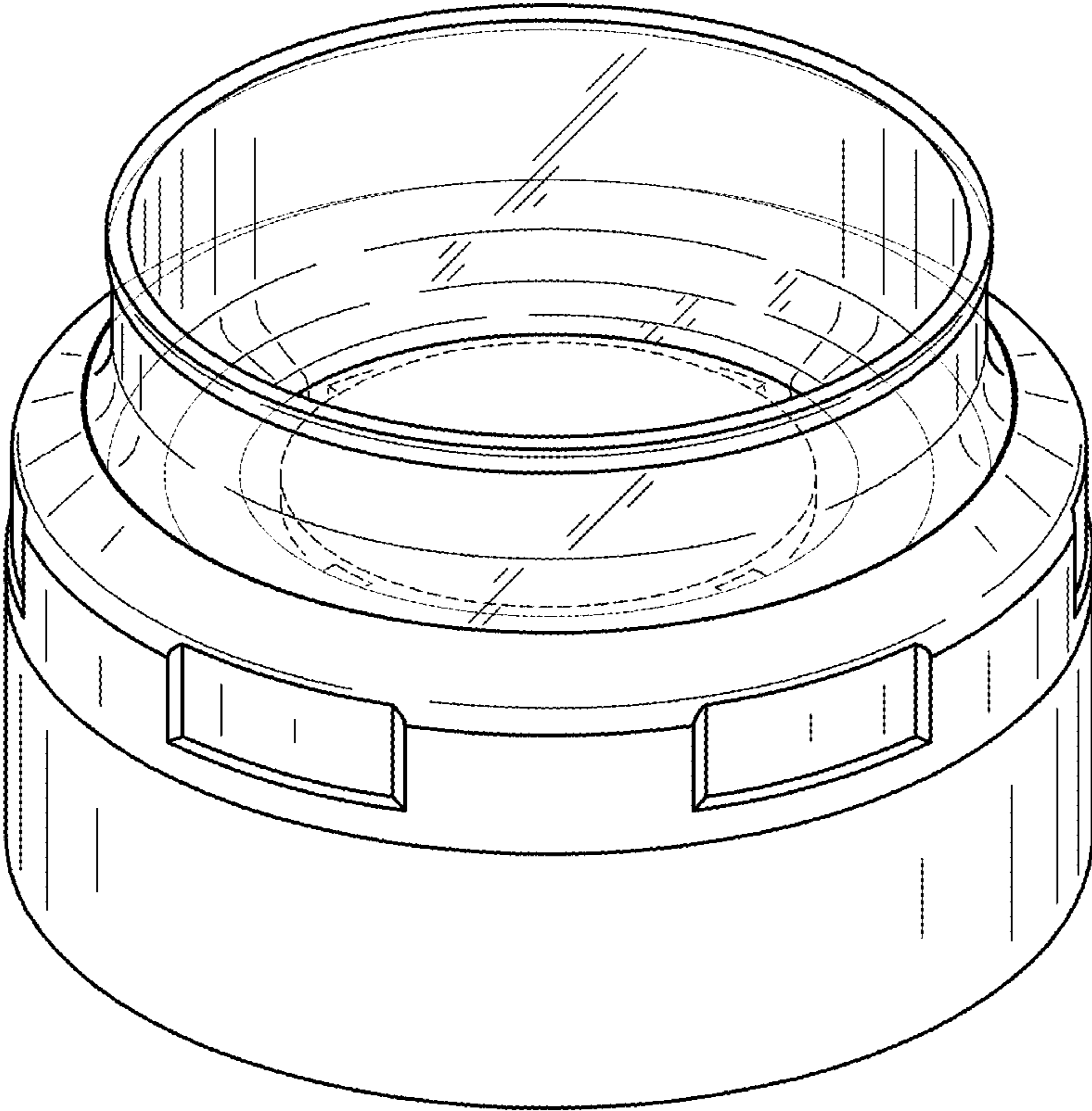


FIG. 1

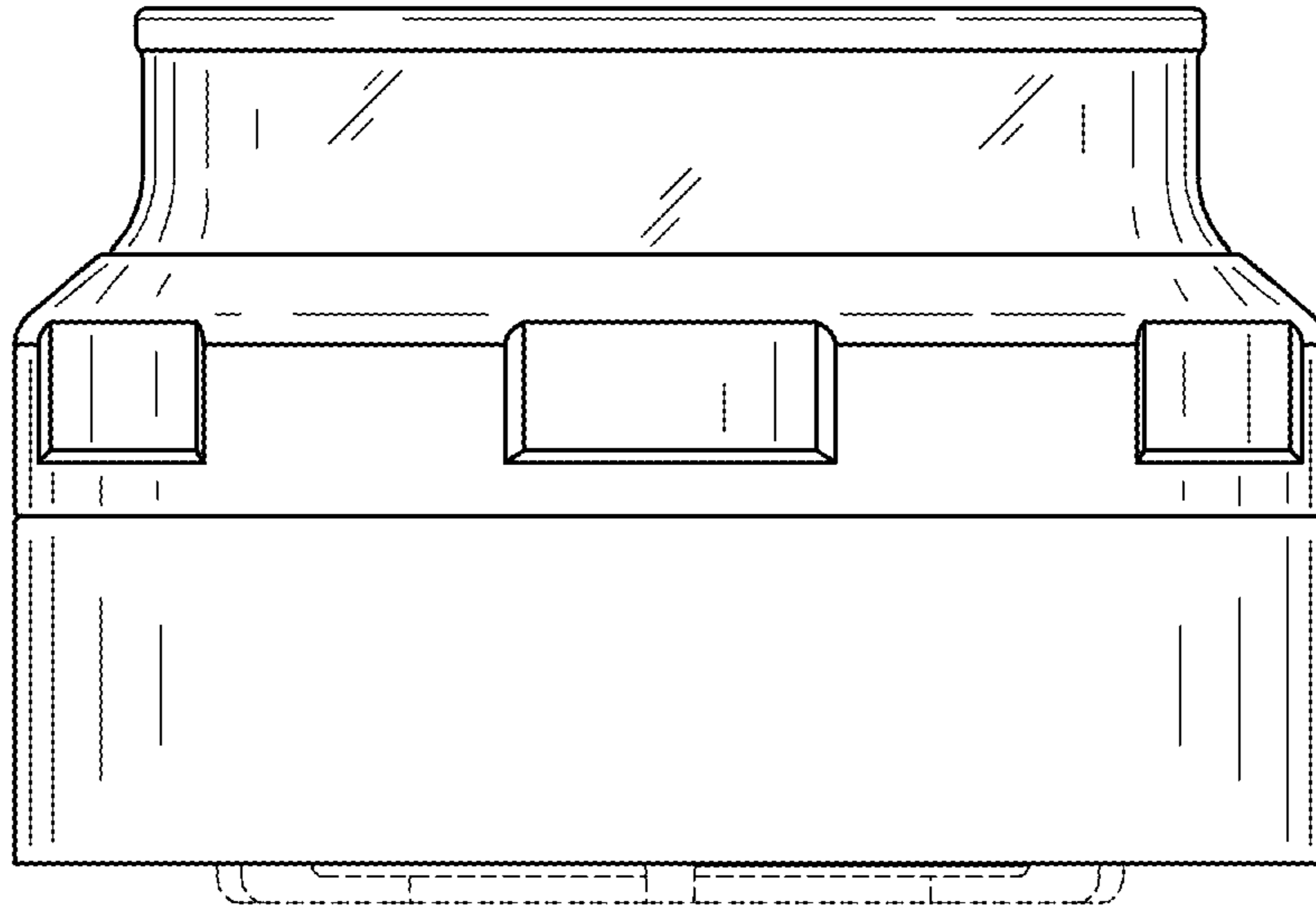


FIG. 2

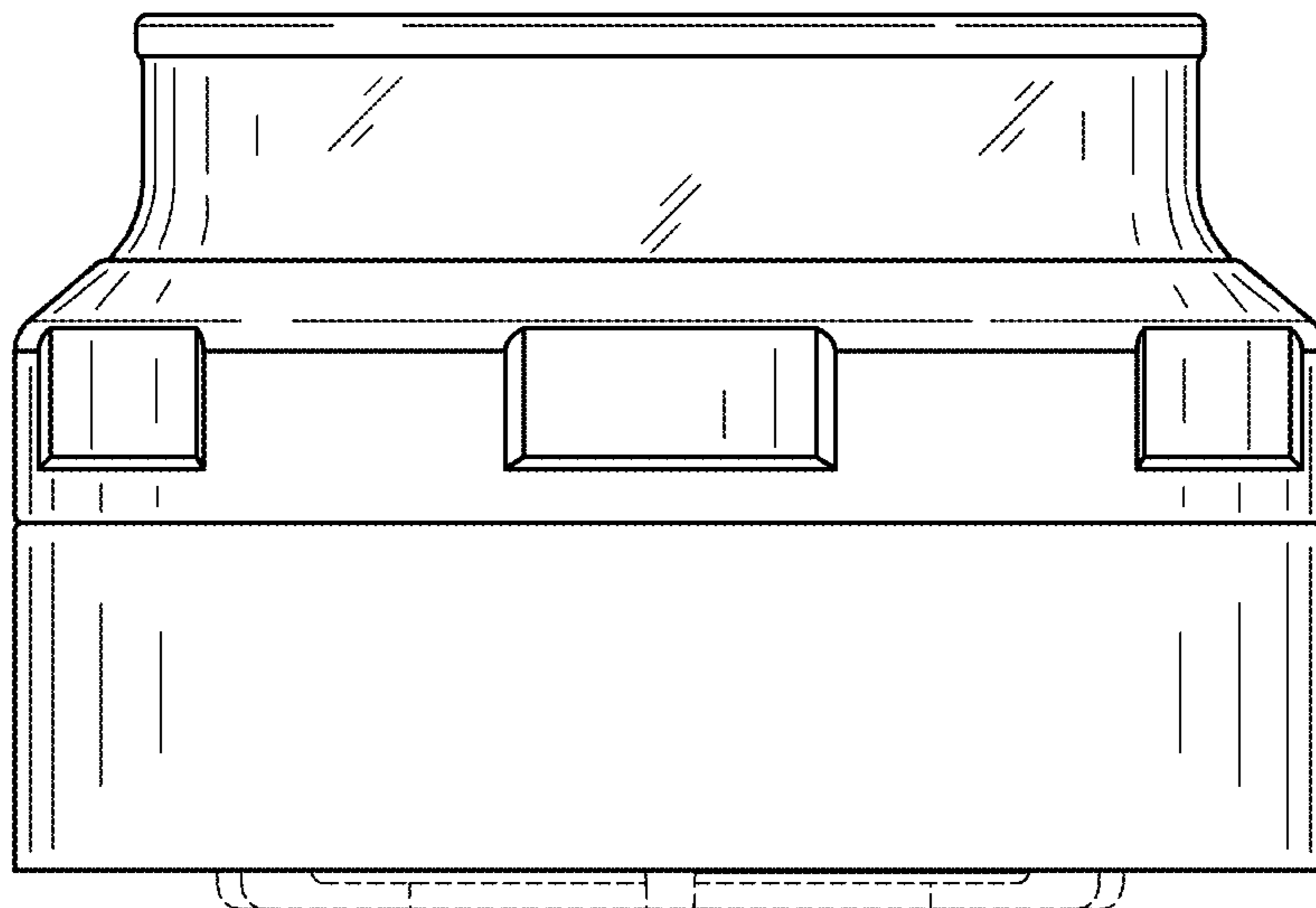


FIG. 3

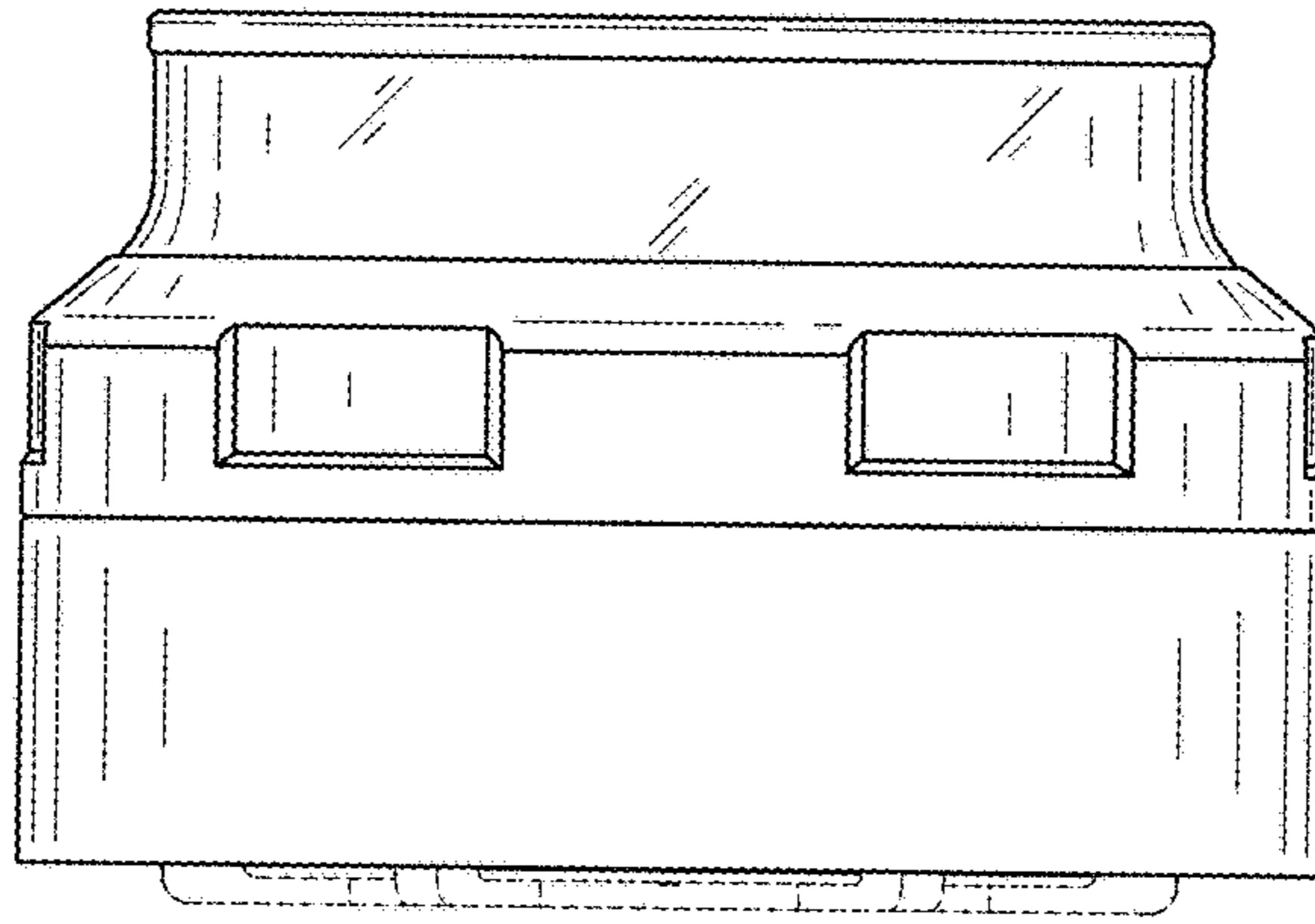


FIG. 4

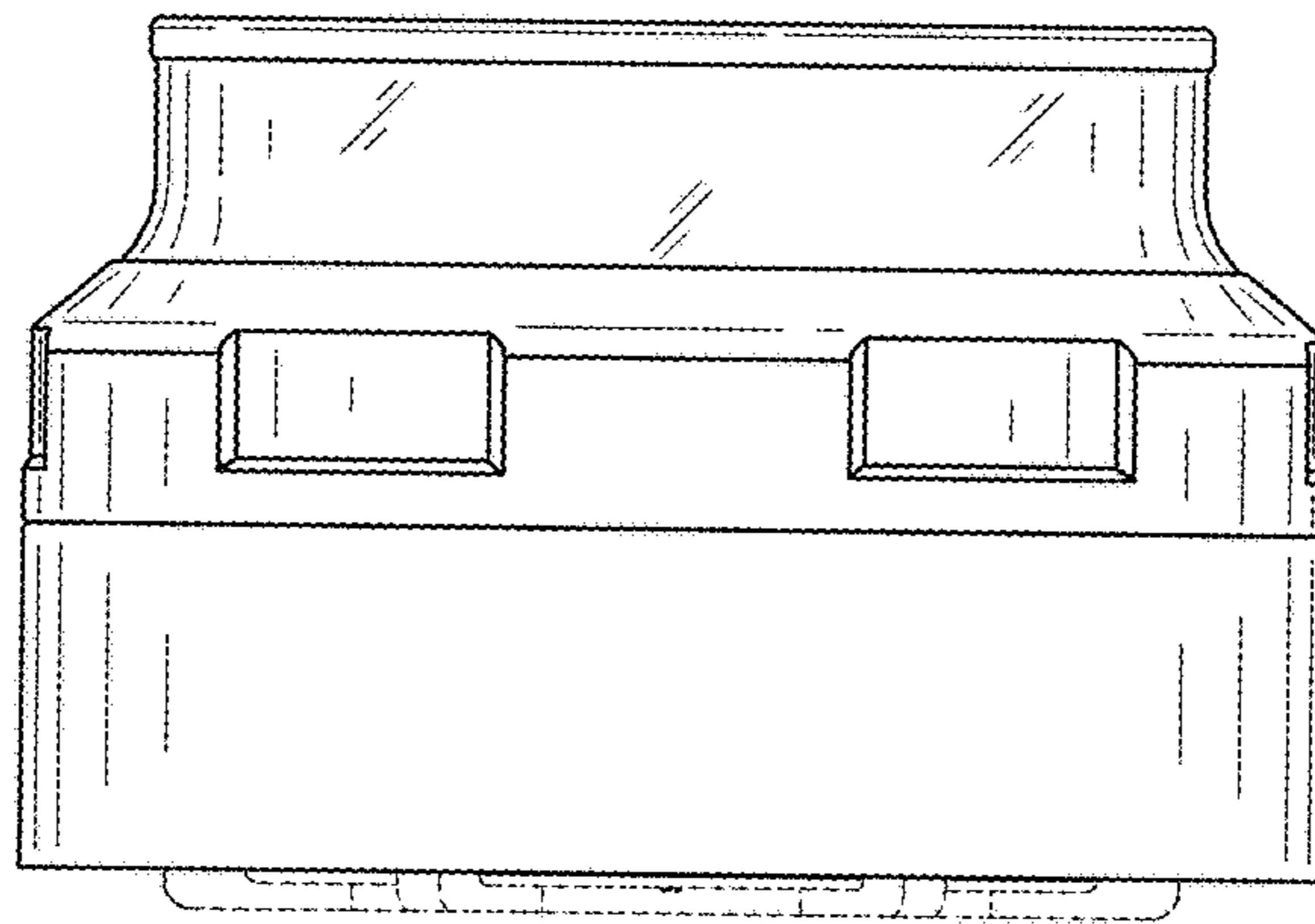


FIG. 5

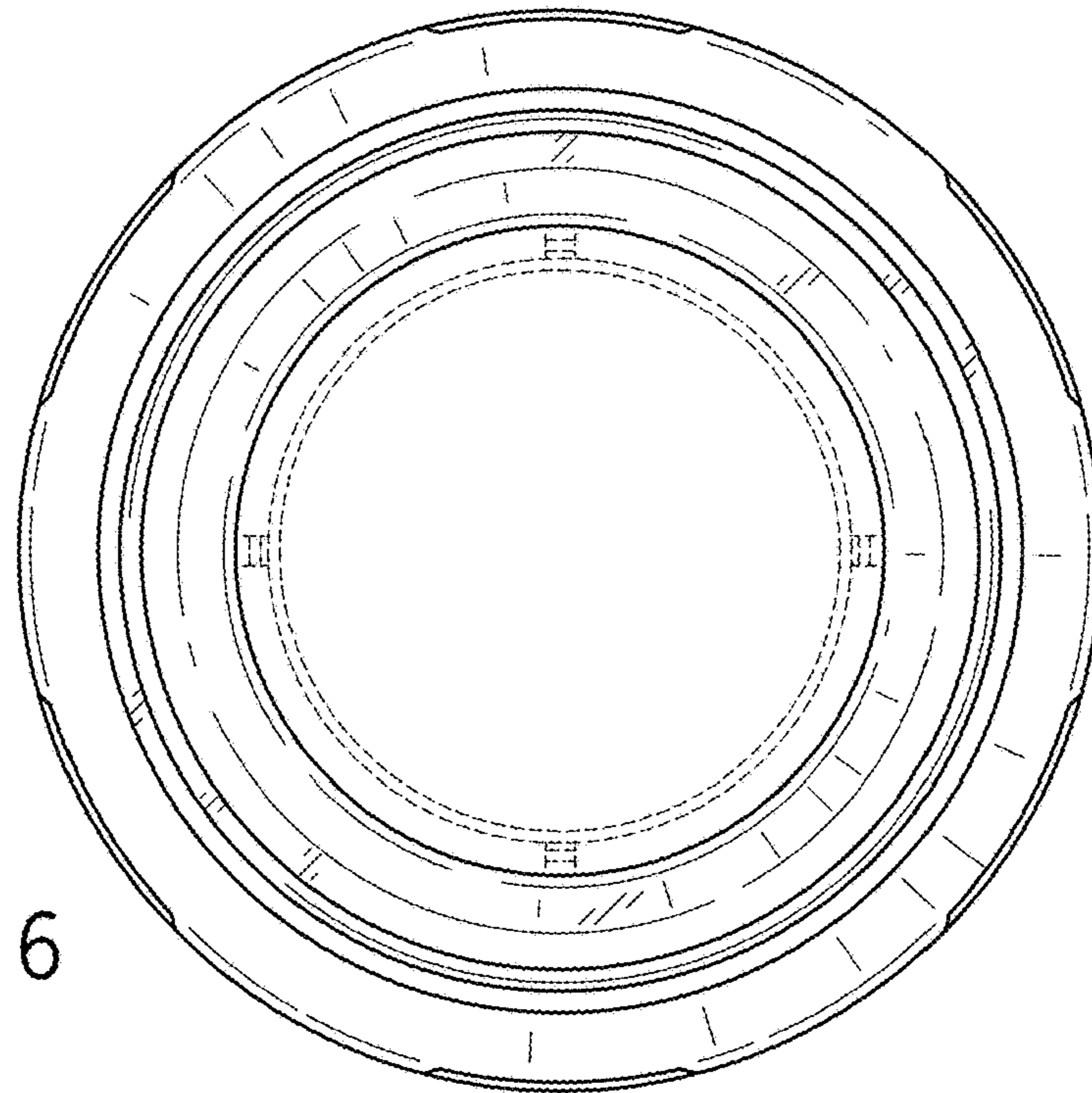


FIG. 6

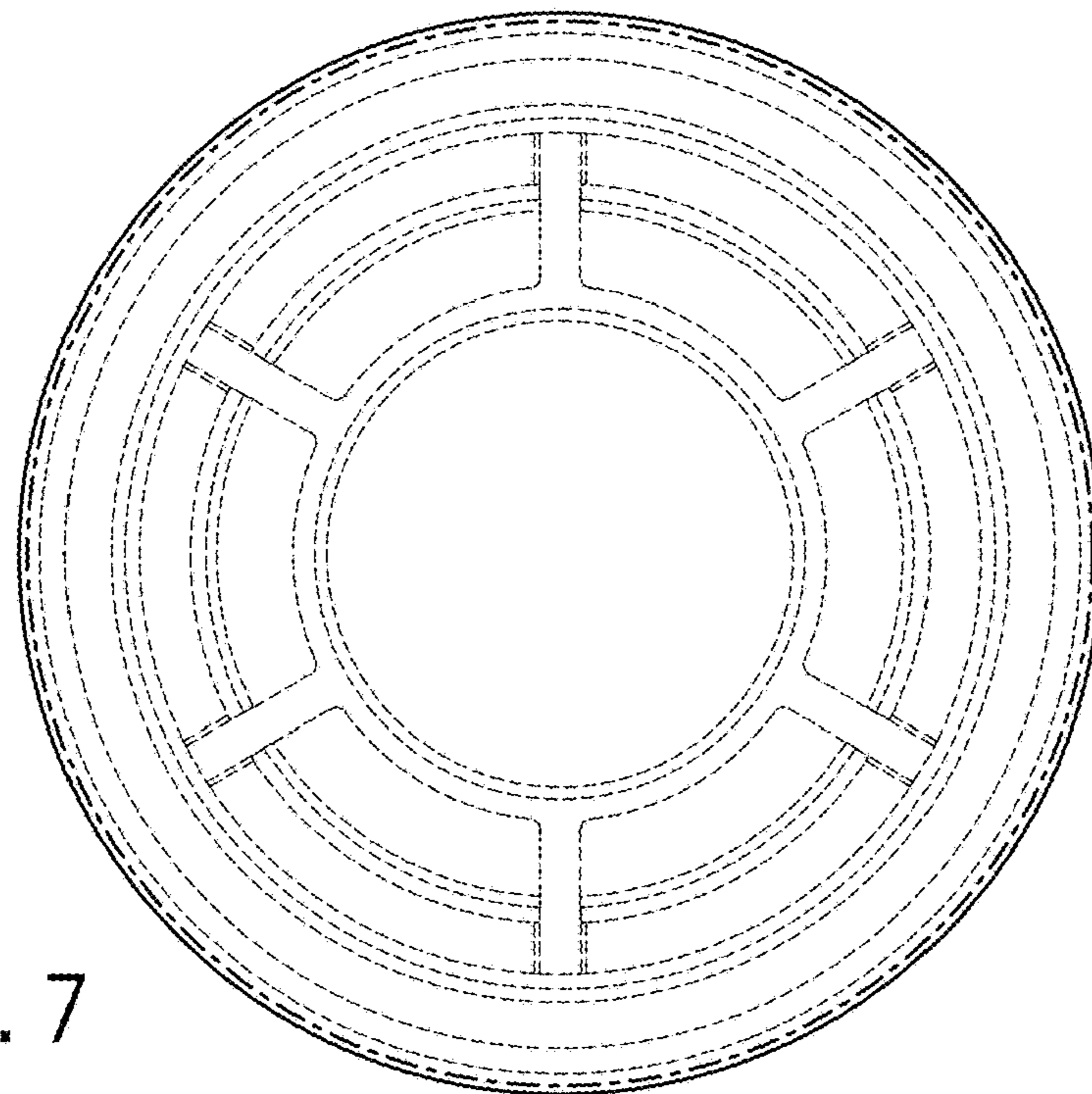


FIG. 7

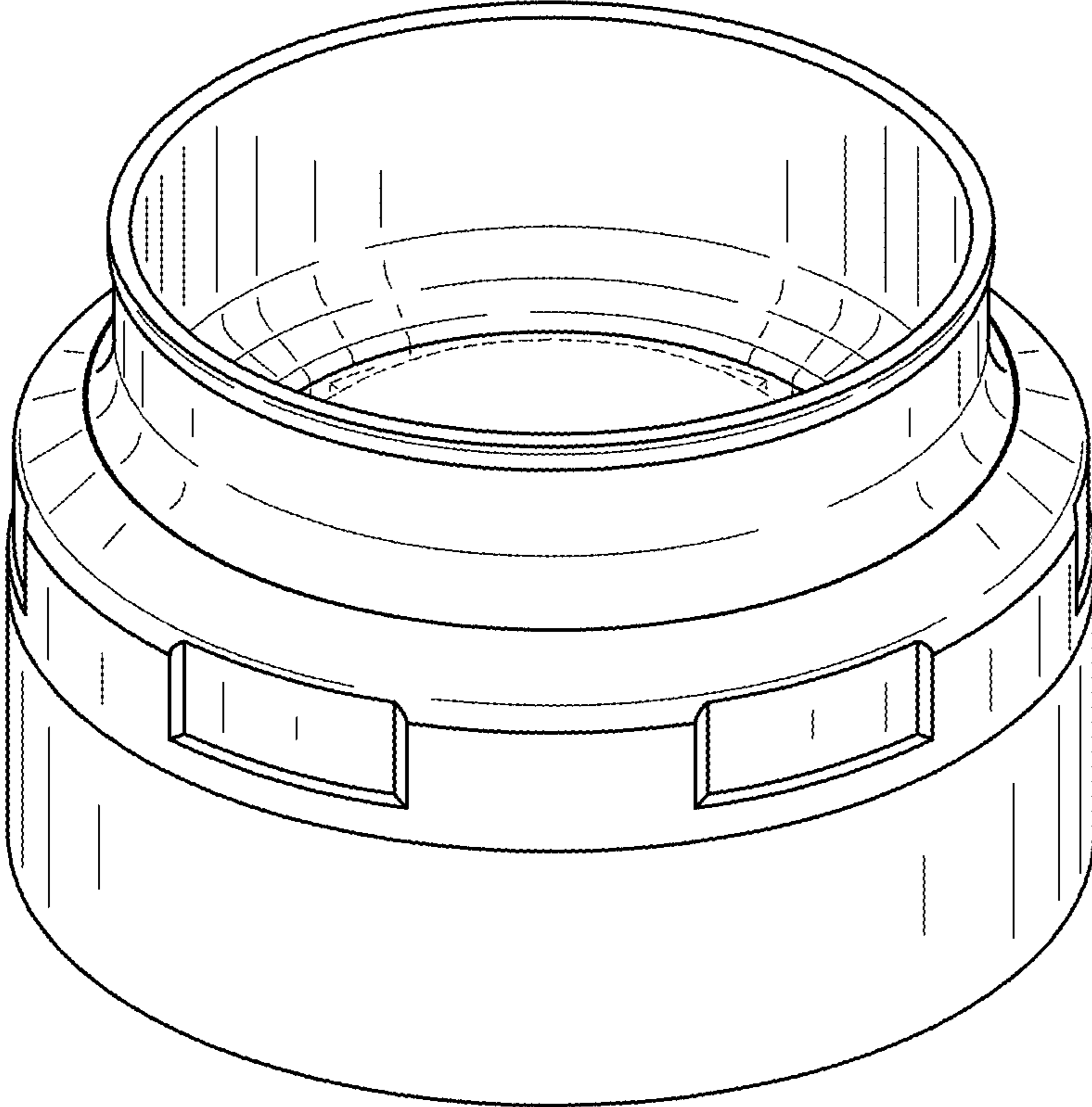


FIG. 8

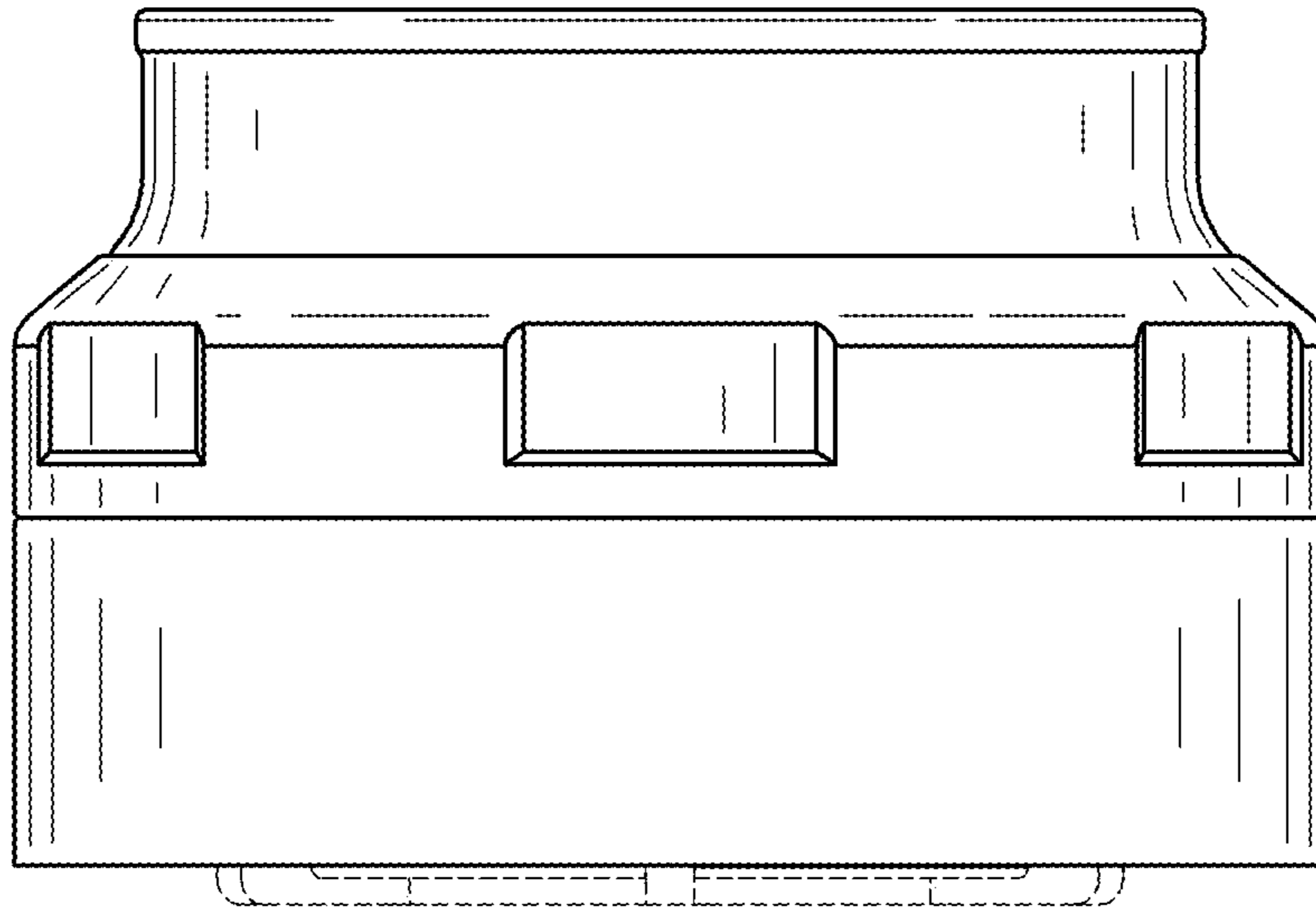


FIG. 9

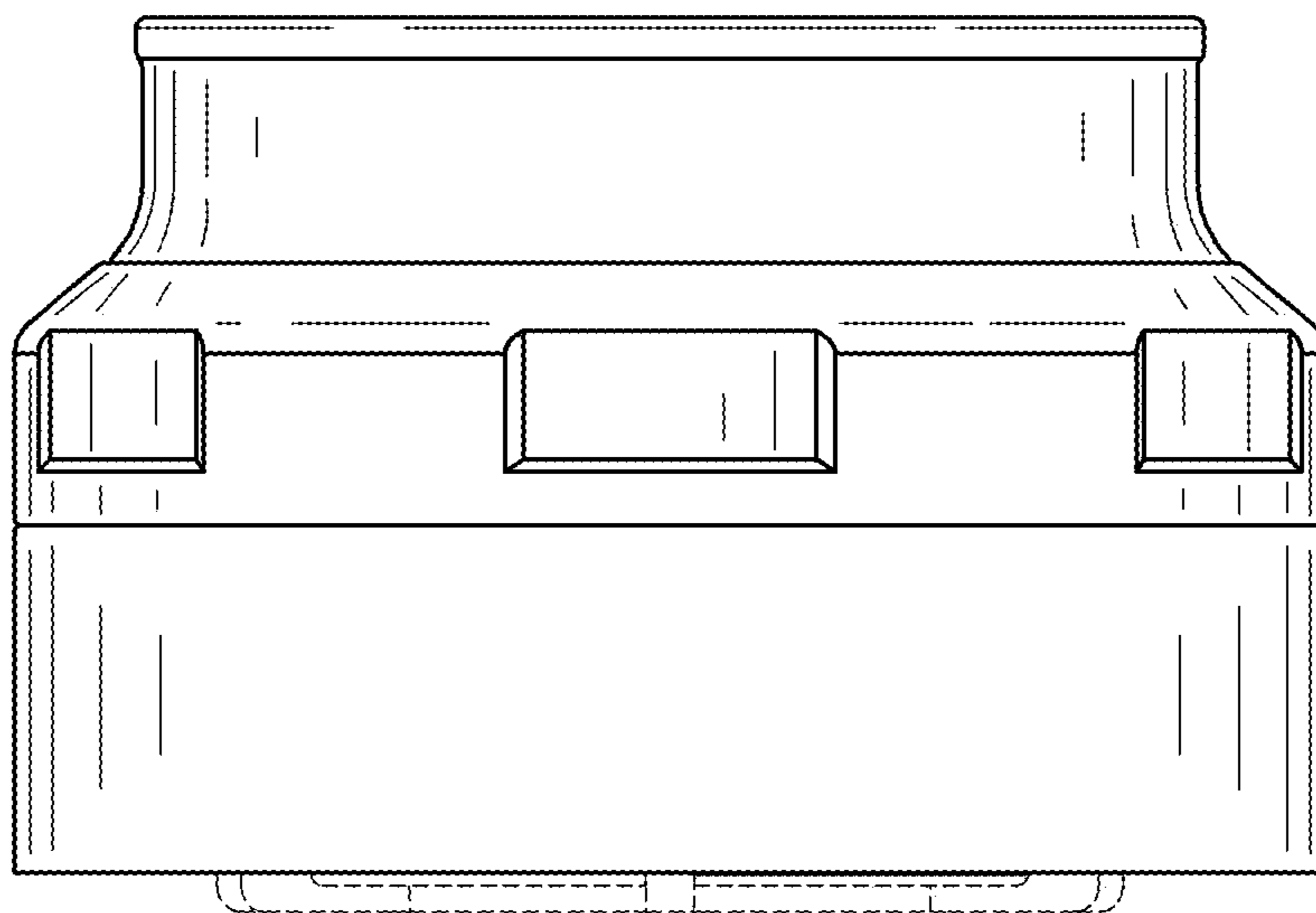


FIG. 10

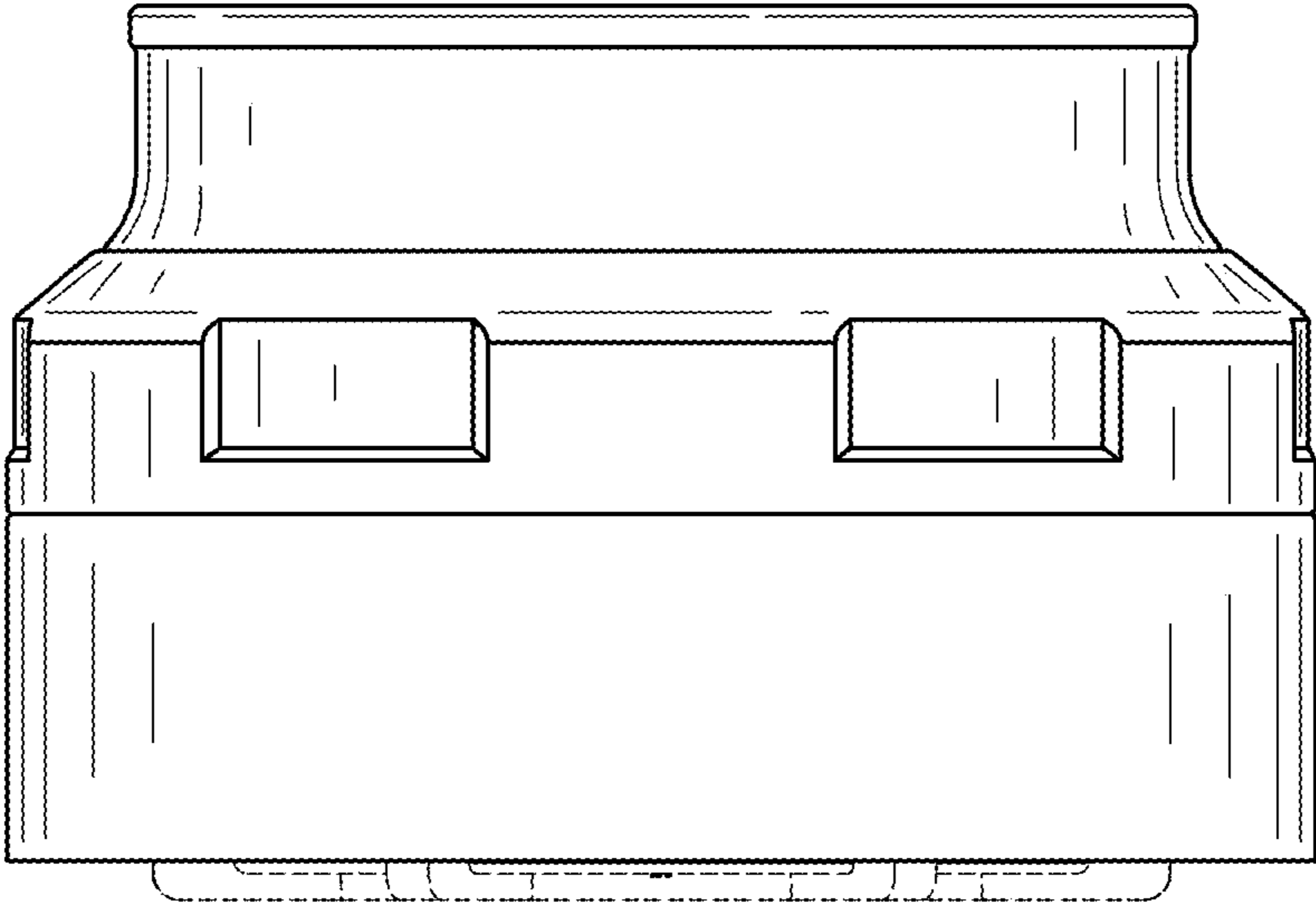


FIG. 11

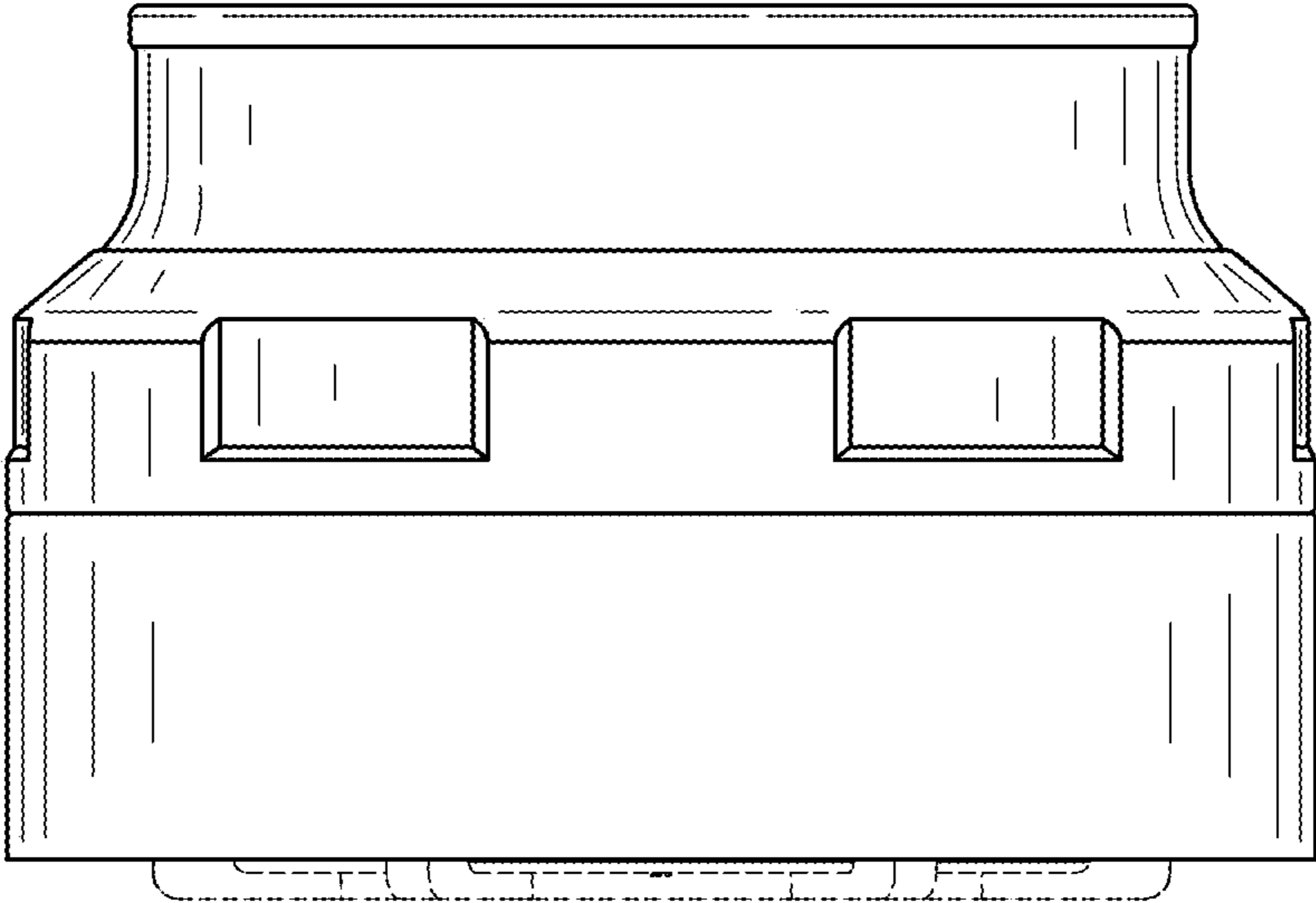


FIG. 12

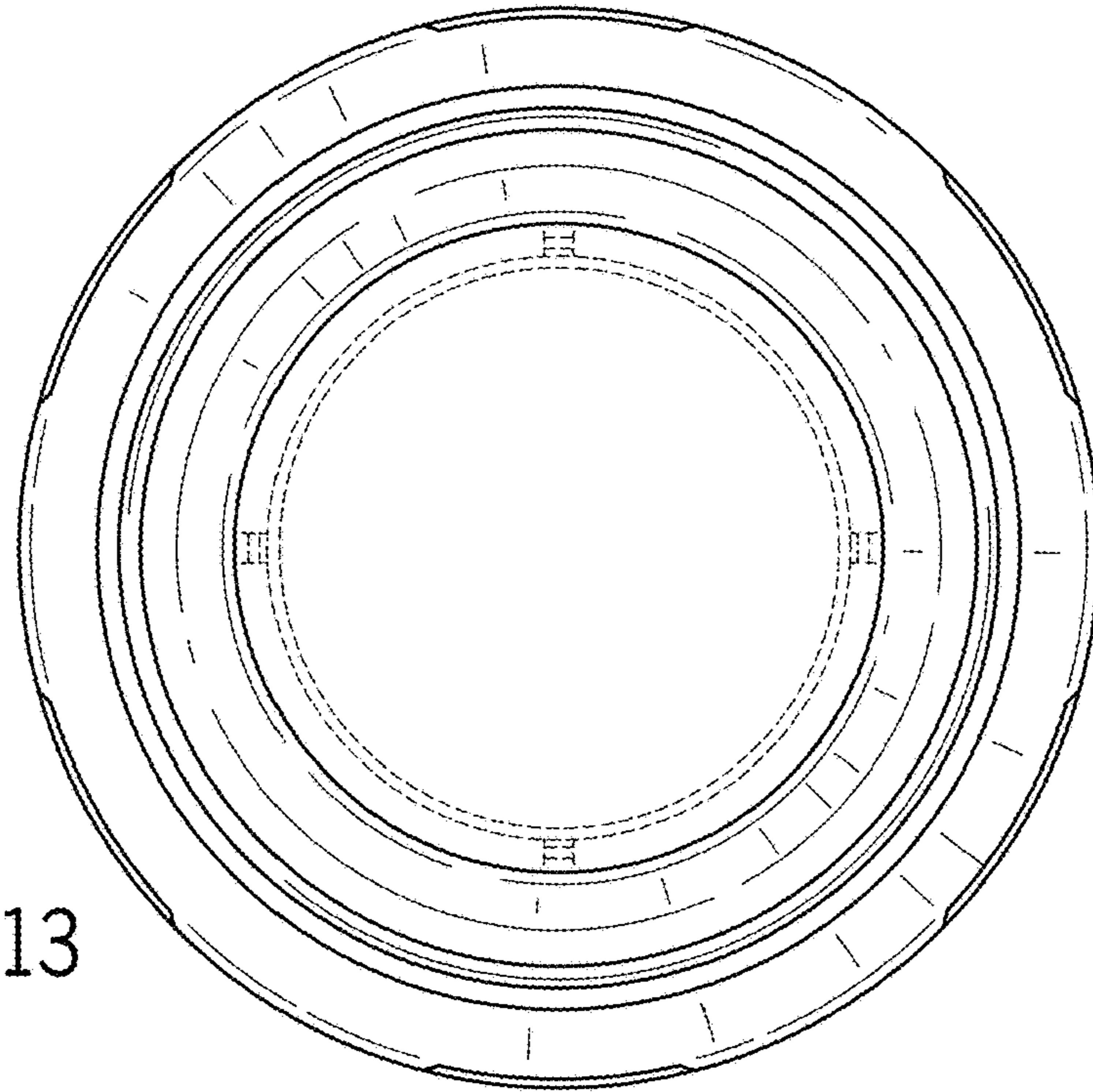


FIG. 13

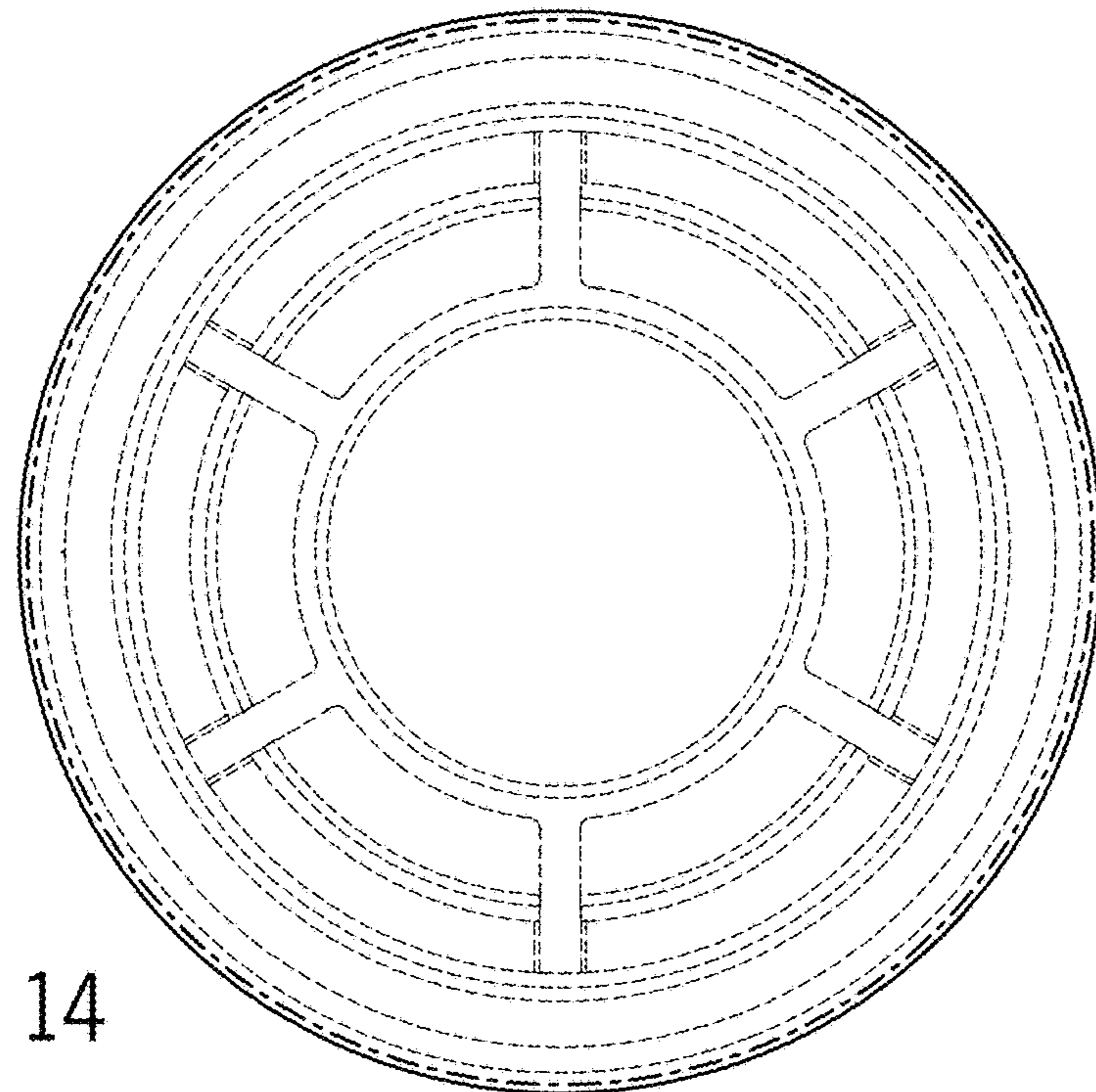


FIG. 14