



US00D834882S

(12) **United States Design Patent**
Seiders et al.

(10) **Patent No.:** **US D834,882 S**
(45) **Date of Patent:** **** Dec. 4, 2018**

(54) **LID**

- (71) Applicant: **YETI Coolers, LLC**, Austin, TX (US)
- (72) Inventors: **Roy Joseph Seiders**, Austin, TX (US); **Andy Bondhus**, Austin, TX (US); **Kyle Ellison**, Austin, TX (US); **Evan Goldberg**, Austin, TX (US)
- (73) Assignee: **YETI Coolers, LLC**, Austin, TX (US)
- (**) Term: **15 Years**

(21) Appl. No.: **29/568,686**

(22) Filed: **Jun. 20, 2016**

(51) **LOC (11) Cl.** **07-99**

(52) **U.S. Cl.**
USPC **D7/392.1**; D9/449

(58) **Field of Classification Search**
USPC D9/428, 429, 434, 435, 442, 443, D9/445-450, 453-456, 499, 682, 684, D9/685; D7/387, 388, 392, 392.1, 393, D7/396.2, 396.3, 396.4, 401.1, 408, 504, D7/507, 509-511, 538, 900; D3/202, D3/203.2, 318; D28/91.1
CPC .. A61J 1/00; A61J 1/1412; B65D 1/00; B65D 1/02; B65D 1/10; B65D 1/46; B65D 2585/56; B65D 2585/545; B65D 41/00; B65D 41/38; B65D 41/56; B65D 41/62; B65D 47/00; B65D 47/06; B65D 47/08; B65D 2543/00046; B65D 2543/00092; B65D 2543/00296; B65D 5/46; B65D 2251/00

See application file for complete search history.

(56) **References Cited**

U.S. PATENT DOCUMENTS

- D192,192 S 2/1962 Tupper
- 4,090,660 A 5/1978 Schram et al.

(Continued)

OTHER PUBLICATIONS

“Bubba Brands Classic Insulated Travel Mug”. Found online Mar. 9, 2017 at amazon.com. Page dated Sep. 30, 2010. Retrieved from https://www.amazon.com/Bubba-Brands-1953403-Classic-Insulated/dp/B01FB71G8Y/ref=cm_cr_ar_p_d_product_top?ie=UTF8.

(Continued)

Primary Examiner — Karen S Acker
Assistant Examiner — Wendy L Arminio

(74) *Attorney, Agent, or Firm* — Banner & Witcoff, Ltd.

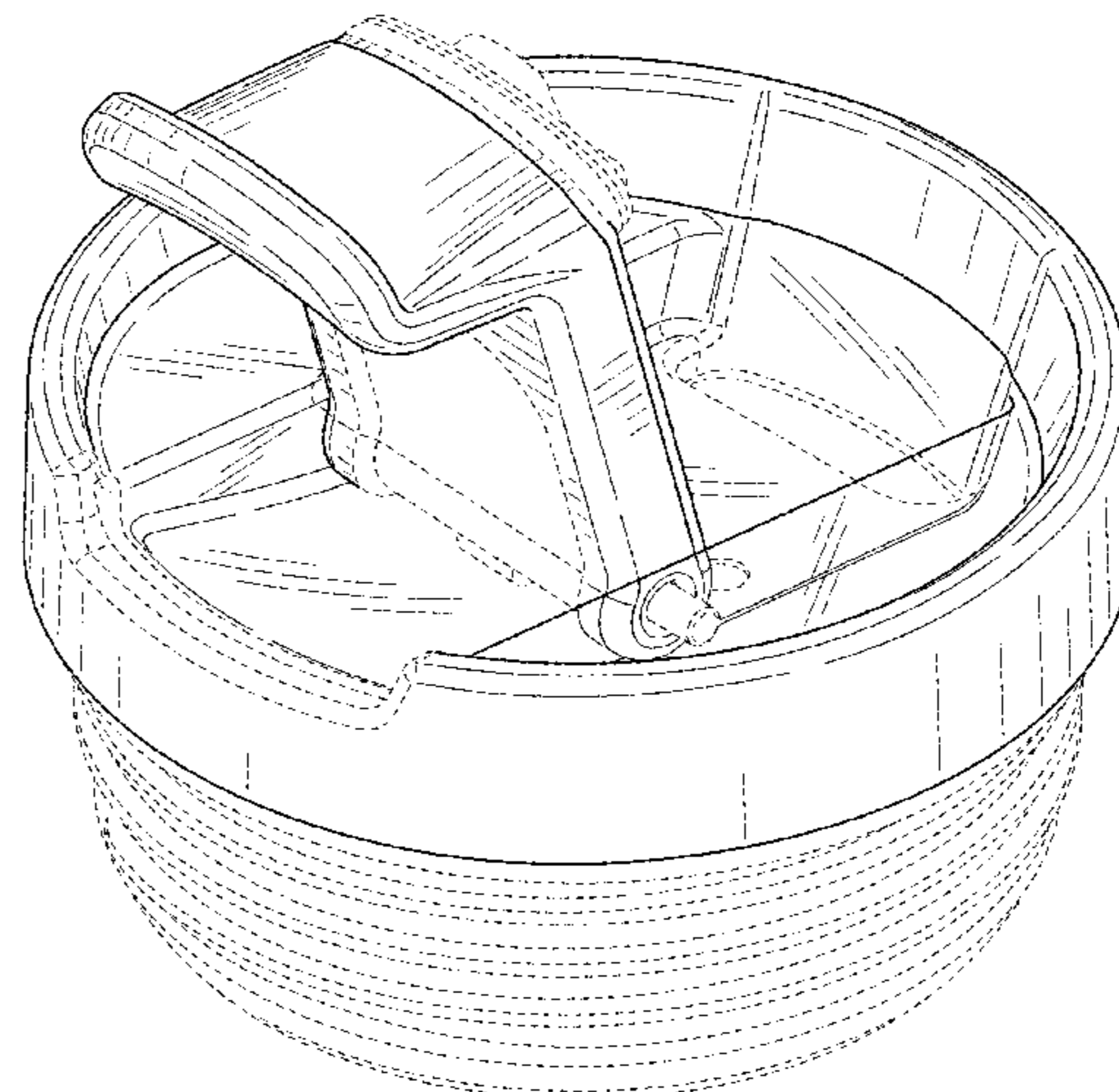
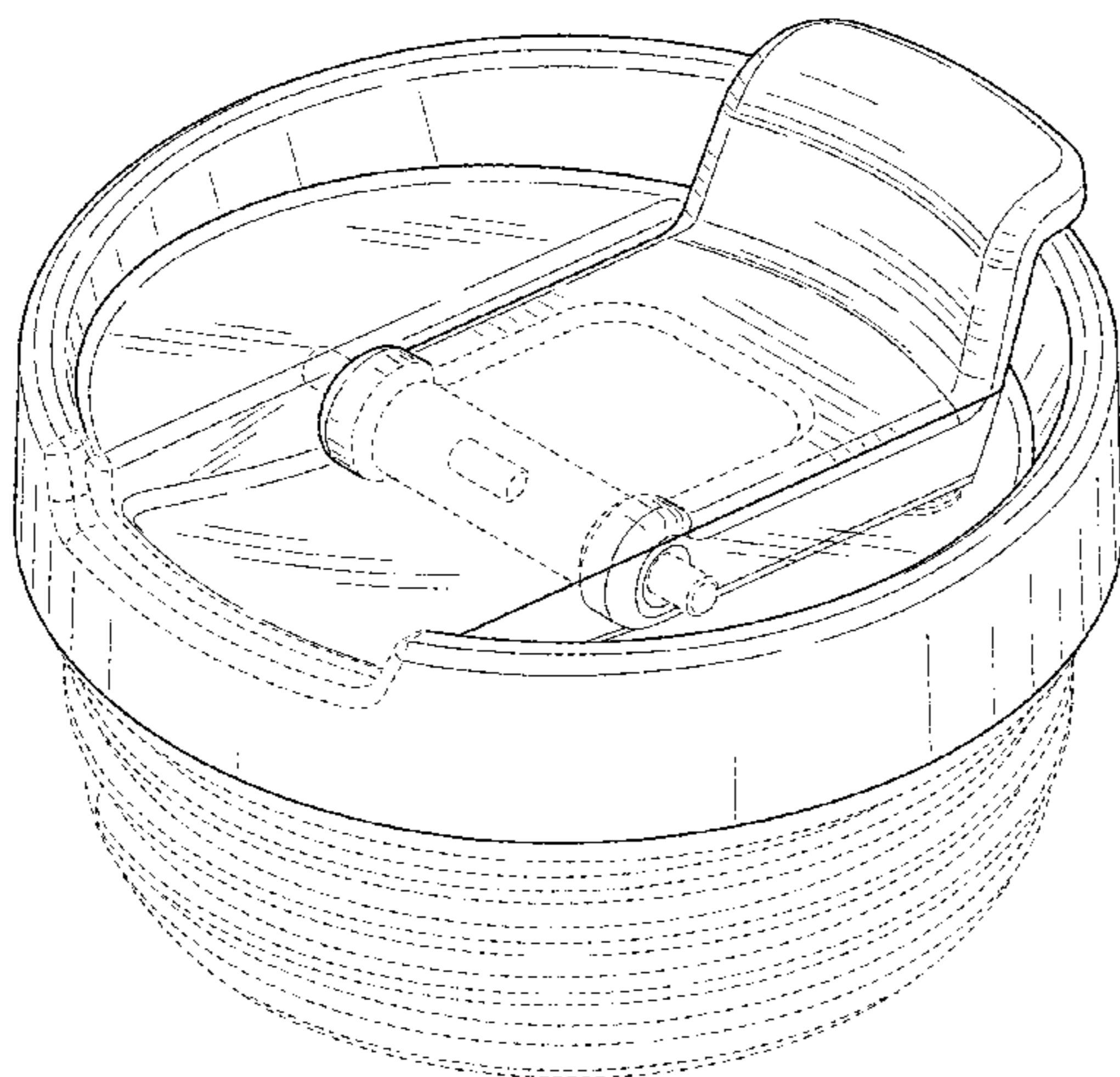
(57) **CLAIM**

The ornamental design for a lid, as shown and described.

DESCRIPTION

FIG. 1 is a top, front, right perspective view of a lid showing our new design;
 FIG. 2 is a front view thereof;
 FIG. 3 is a rear view thereof;
 FIG. 4 is a left side view thereof;
 FIG. 5 is a right side view thereof;
 FIG. 6 is a top view thereof;
 FIG. 7 is a bottom view thereof;
 FIG. 8 is a top, front, right perspective view of a lid showing our new design in an alternate configuration;
 FIG. 9 is a front view thereof;
 FIG. 10 is a rear view thereof;
 FIG. 11 is a left side view thereof;
 FIG. 12 is a right side view thereof;
 FIG. 13 is a top view thereof;
 FIG. 14 is a bottom view thereof; and,
 FIG. 15 is a top, front, right perspective view of a lid showing our new design in a second alternate configuration.
 The oblique shade lines in the drawings indicate areas of the lid that are transparent. The broken lines immediately adjacent to the shaded areas represent the boundaries of unclaimed environmental subject matter and form no part of the claimed design.

1 Claim, 12 Drawing Sheets



(56)

References Cited

U.S. PATENT DOCUMENTS

4,202,459 A 5/1980 DeParales et al.
 4,408,703 A 10/1983 Libit
 D363,666 S * 10/1995 Goto D7/900
 D485,759 S * 1/2004 Janky D7/392.1
 D504,796 S * 5/2005 Schuler D7/392.1
 D544,749 S 6/2007 Seum et al.
 D552,926 S * 10/2007 Yelland D7/392.1
 D608,140 S 1/2010 Gilbert
 D627,600 S * 11/2010 Eyal D7/510
 D643,245 S * 8/2011 Minarsch D7/392.1
 D644,060 S * 8/2011 Komeiji D7/392.1
 D647,753 S * 11/2011 Lin D7/392.1
 D655,570 S * 3/2012 Meehan D7/510
 D655,967 S * 3/2012 Bodum D7/300.1
 D666,052 S 8/2012 Trombly
 D667,263 S 9/2012 Gilbert et al.
 8,276,776 B2 10/2012 Roth et al.
 D674,663 S 1/2013 Cahen
 D691,416 S * 10/2013 Eyal D7/396.2
 D692,756 S * 11/2013 McClellan D9/447
 D715,100 S 10/2014 Eyal
 D717,115 S 11/2014 Lane et al.
 D721,540 S * 1/2015 Grcic D7/511
 D732,337 S 6/2015 Coon et al.
 D747,199 S 1/2016 Phillips
 D751,340 S 3/2016 Seiders et al.
 D751,341 S 3/2016 Seiders et al.
 D752,381 S * 3/2016 Wahl D7/392.1
 D761,618 S * 7/2016 Lapsker D7/392.1
 D764,869 S * 8/2016 Smrtnik D7/507

D772,651 S * 11/2016 Leonard D7/510
 D779,872 S 2/2017 Bergstrom
 2010/0288782 A1* 11/2010 Lin A47G 19/22
 220/752
 2011/0114655 A1 5/2011 Bailey
 2012/0125931 A1* 5/2012 Roth A47G 19/22
 220/254.3

OTHER PUBLICATIONS

“Hydro Flask Wide Mouth Hydro Flip Lid”. Found online Mar. 9, 2017 at amazon.com. Page dated Oct. 9, 2012. Retrieved from http://www.amazon.com/Hydro-Flask-Wide-Mouth-Black/dp/B01GW2H430/ref=cm_cr_ar_p_d_product_top?ie=UTF8.
 Hydro Flask. Hydro Flip. 2015 [earliest online date], [site visited Apr. 28, 2017]. Available from Internet, <URL:<https://www.hydroflask.com/hydro-flip#92=57>>.
 “Bubba Hero Bottle Replacement Lid”. Found online Mar. 9, 2017 at amazon.com. Page dated Jan. 14, 2015. Retrieved from https://www.amazon.com/bubba-HERO-bottle-replacement-lid/dp/B00QQYDI44/ref=cm_cr_ar_p_d_product_top?ie=UTF8.
 “Contigo Extreme Stainless Steel Travel Mug”. Found online Mar. 9, 2017 at amazon.com. Page dated Sep. 13, 2016. Retrieved from https://www.amazon.com/Contigo-Extreme-Stainless-Insulated-Limited/dp/B01LZGBMKT/ref=pd_sim_79_3?_encoding=UTF8&pvc=&refRID=A4VHP8EG6AKH3BG73BMZ.
 Jane. Spill Resistant Flip Lid and Yeti Accessories. Dec. 5, 2016 [earliest online date], [site visited Apr. 28, 2017]. Available from Internet, <URL:<https://jane.com/deal/263319/spill-resistant-flip-lid-and-yeti-accessories-30oz-many-colors>>.

* cited by examiner

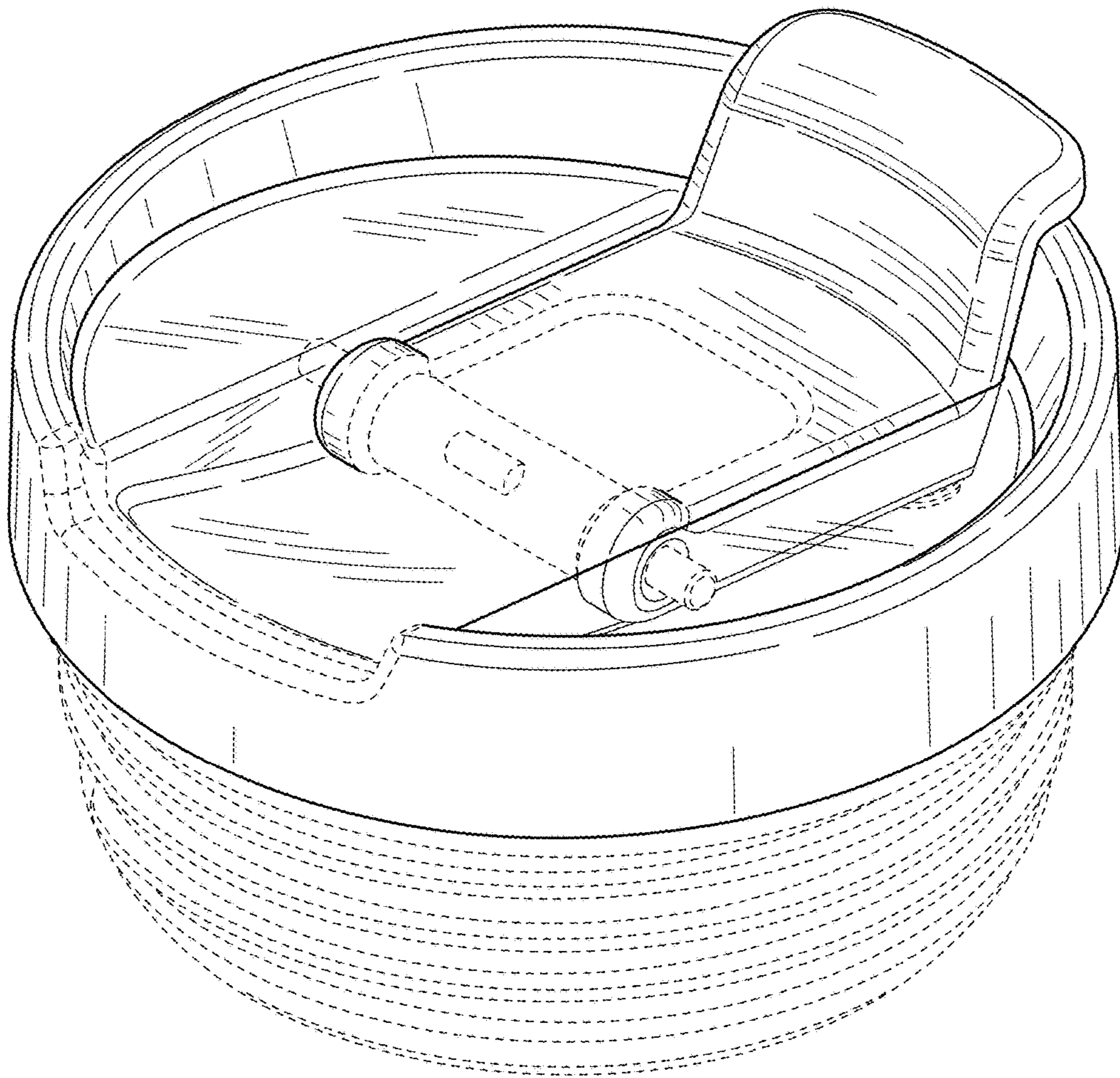


FIG. 1

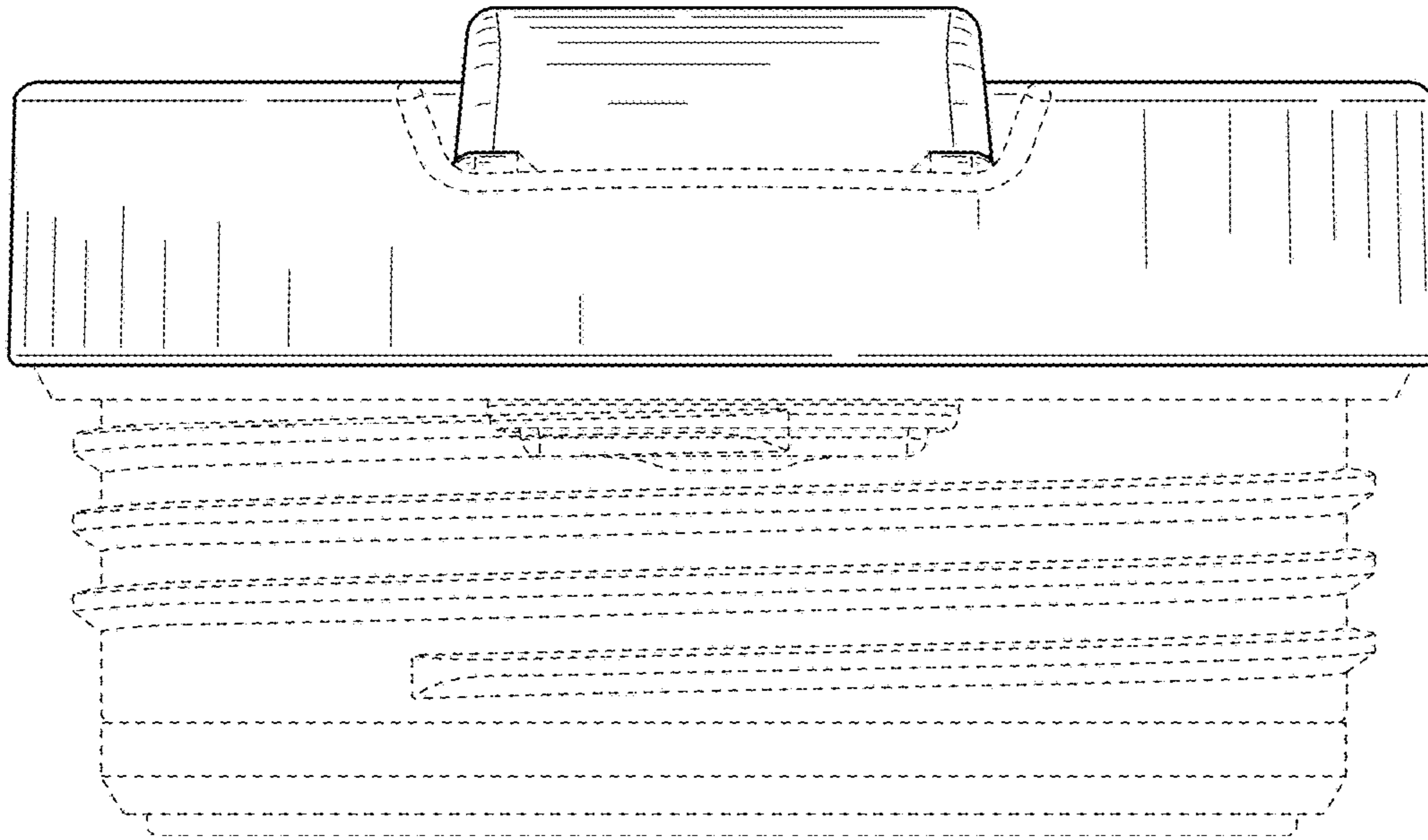


FIG. 2

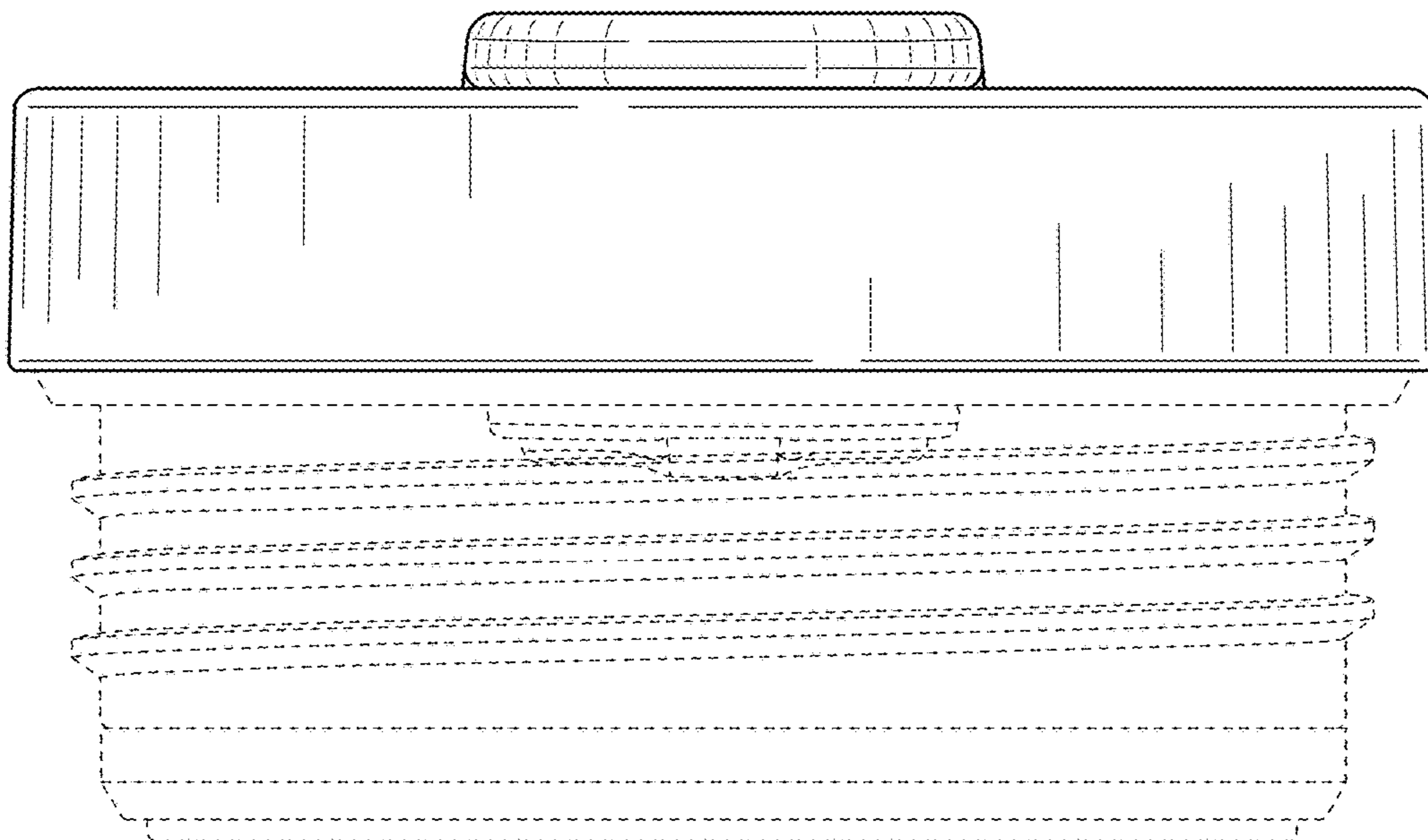


FIG. 3

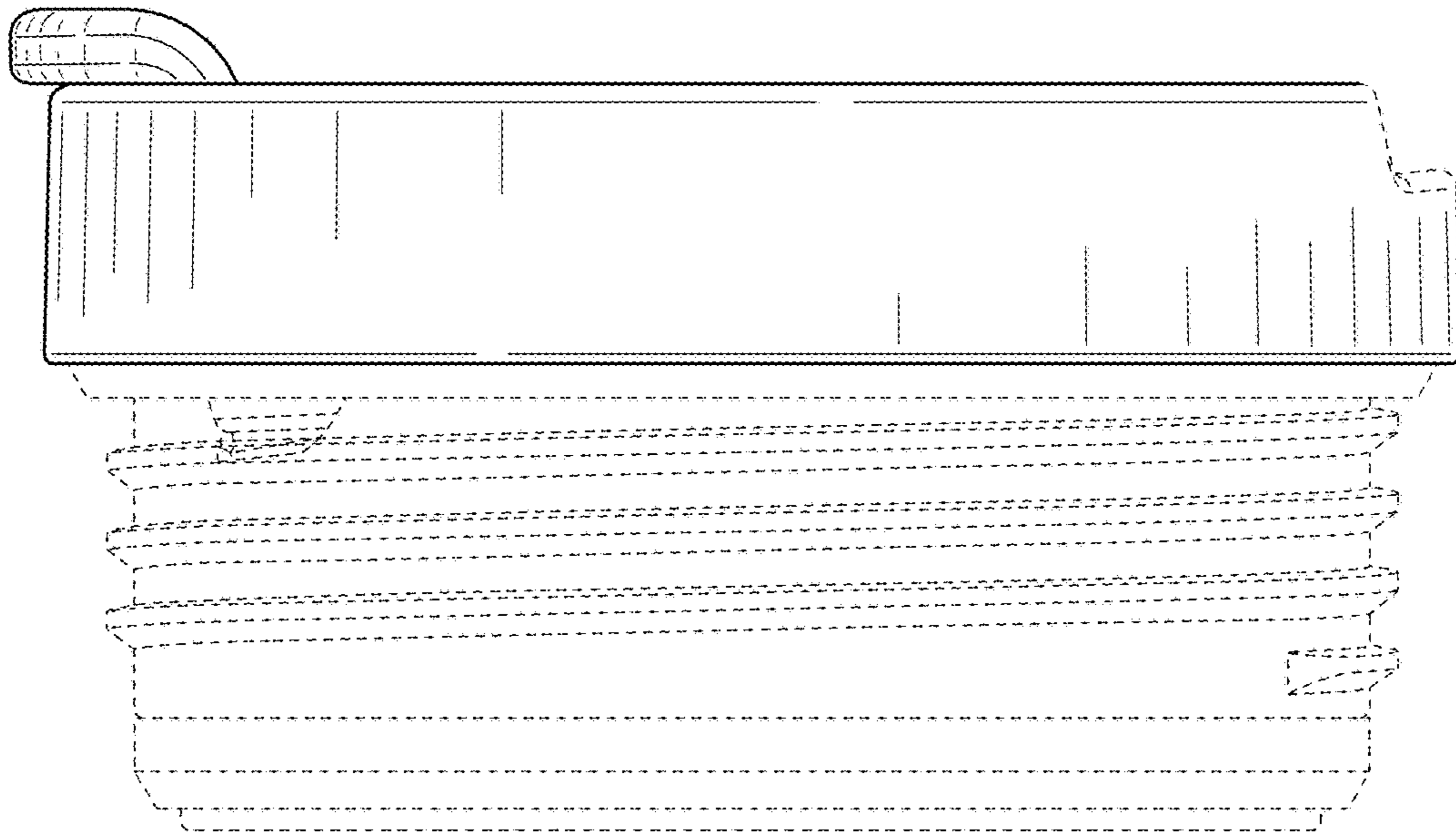


FIG. 4

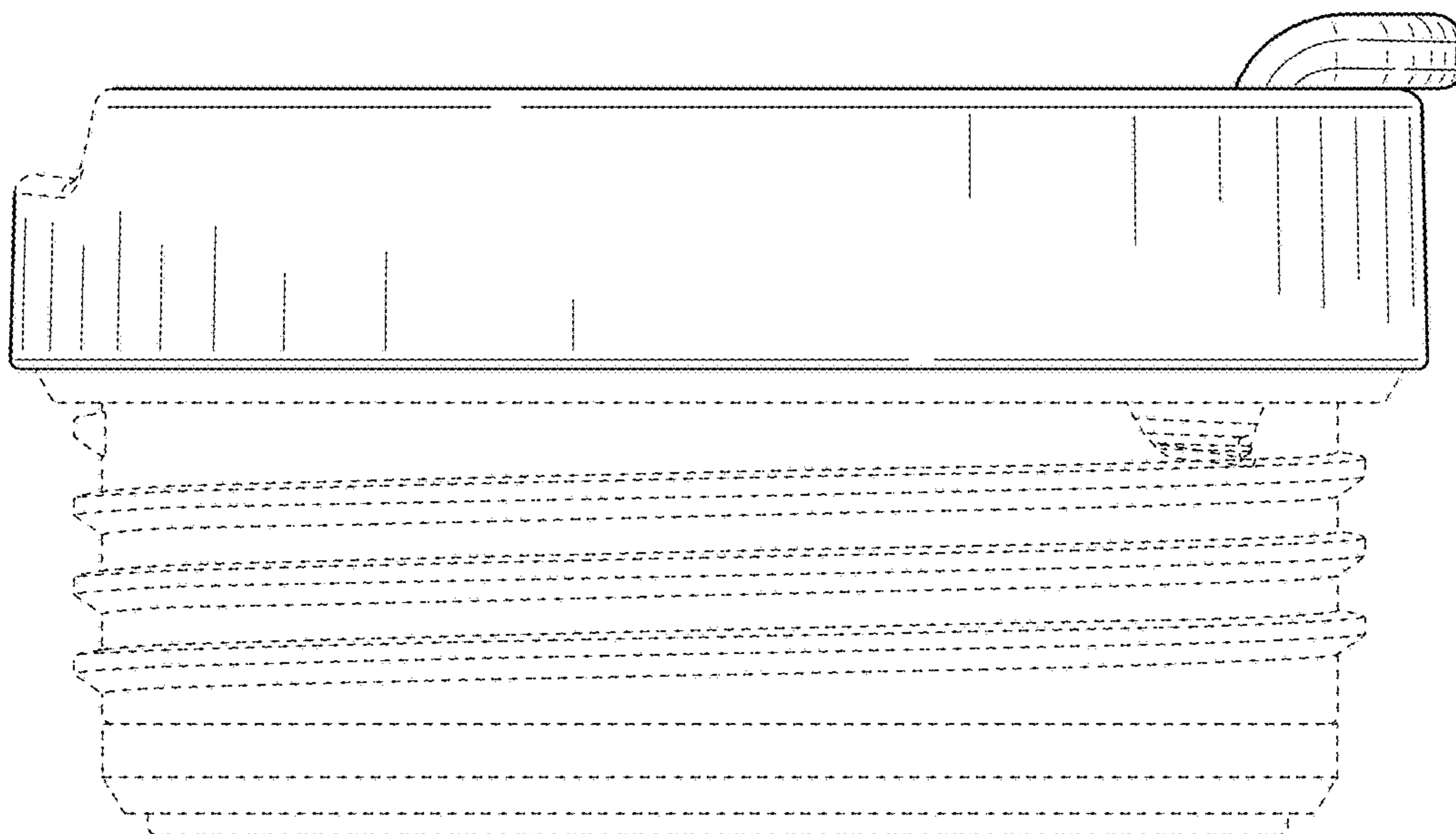


FIG. 5

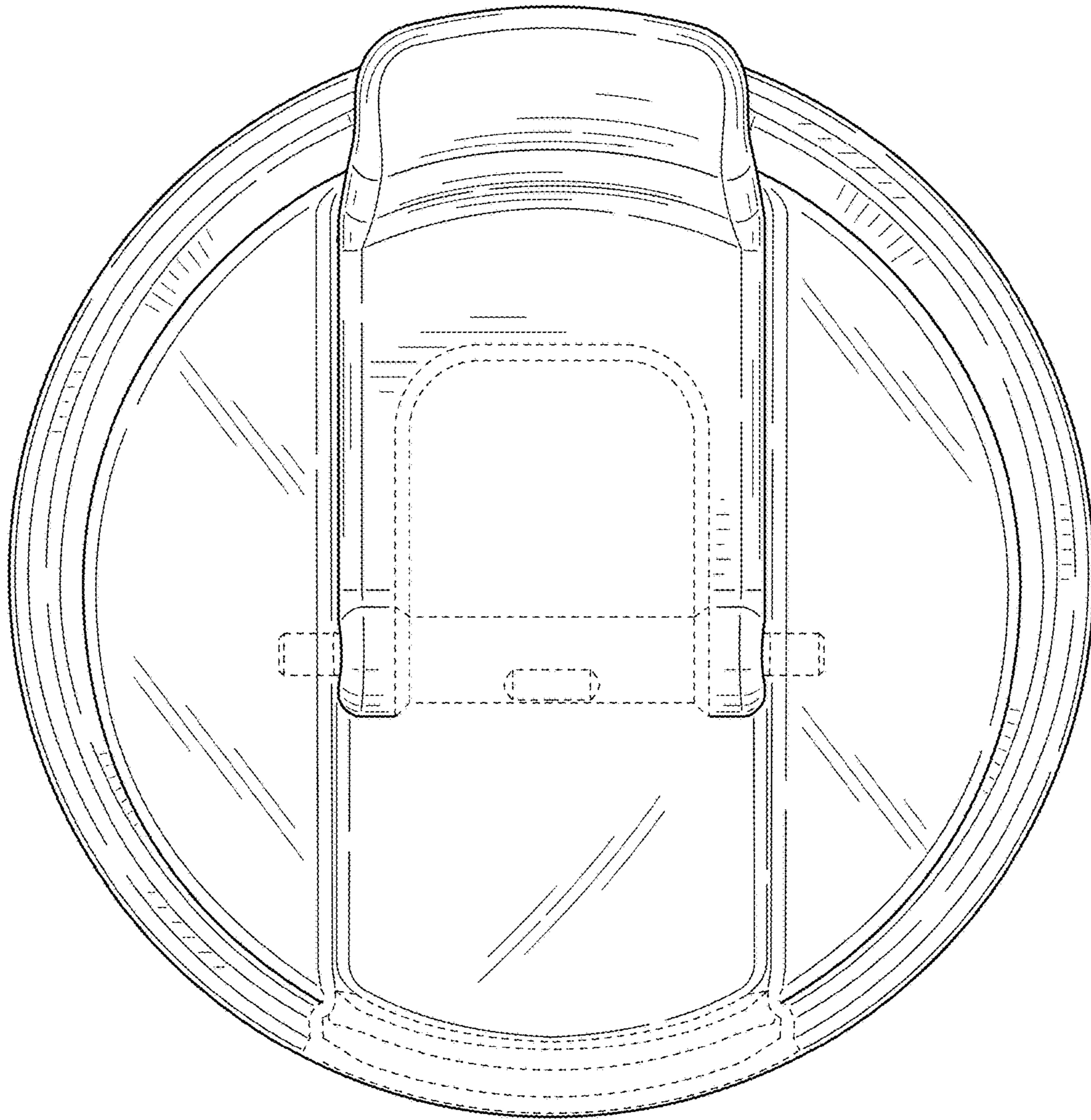


FIG. 6

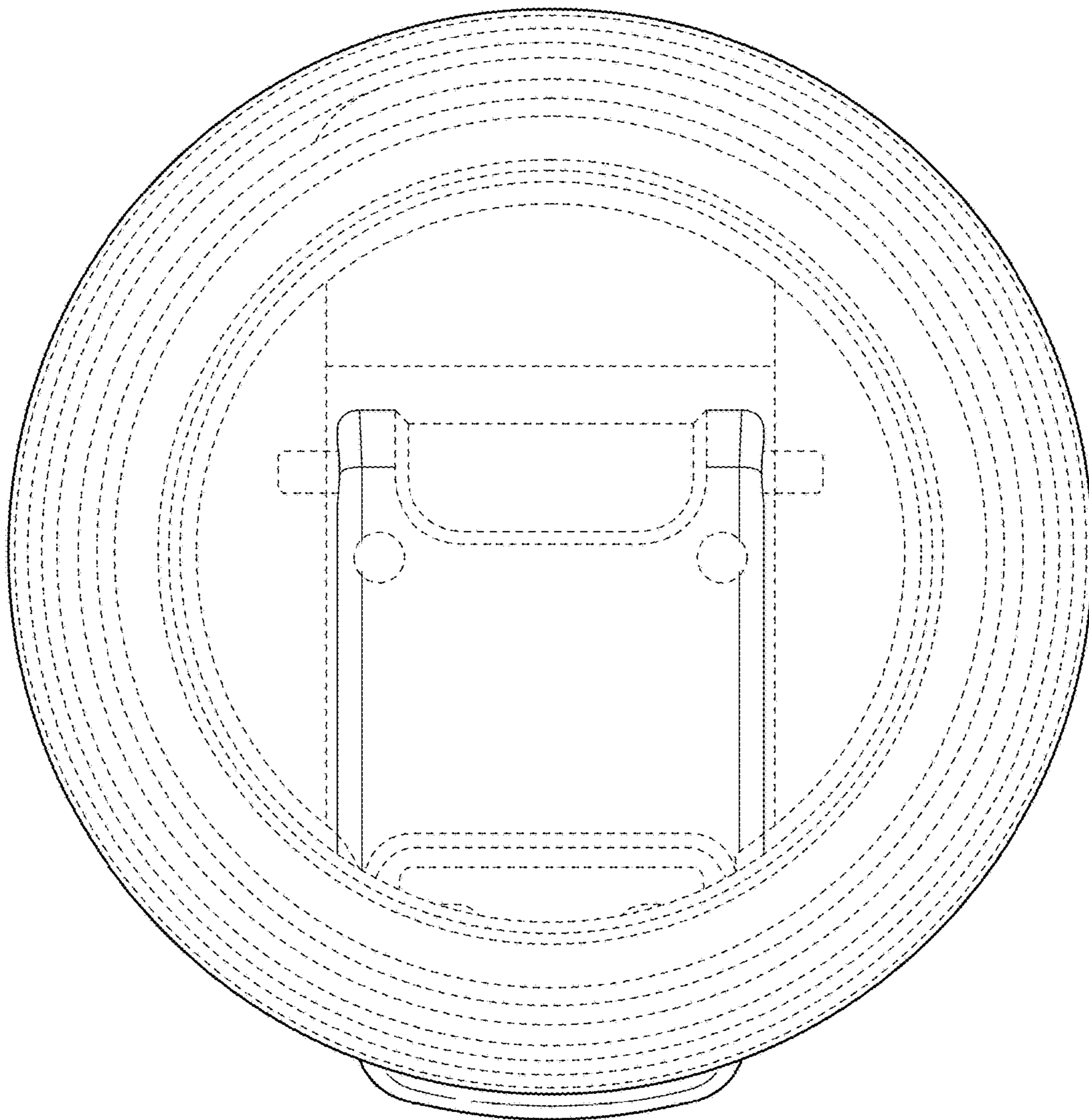


FIG. 7

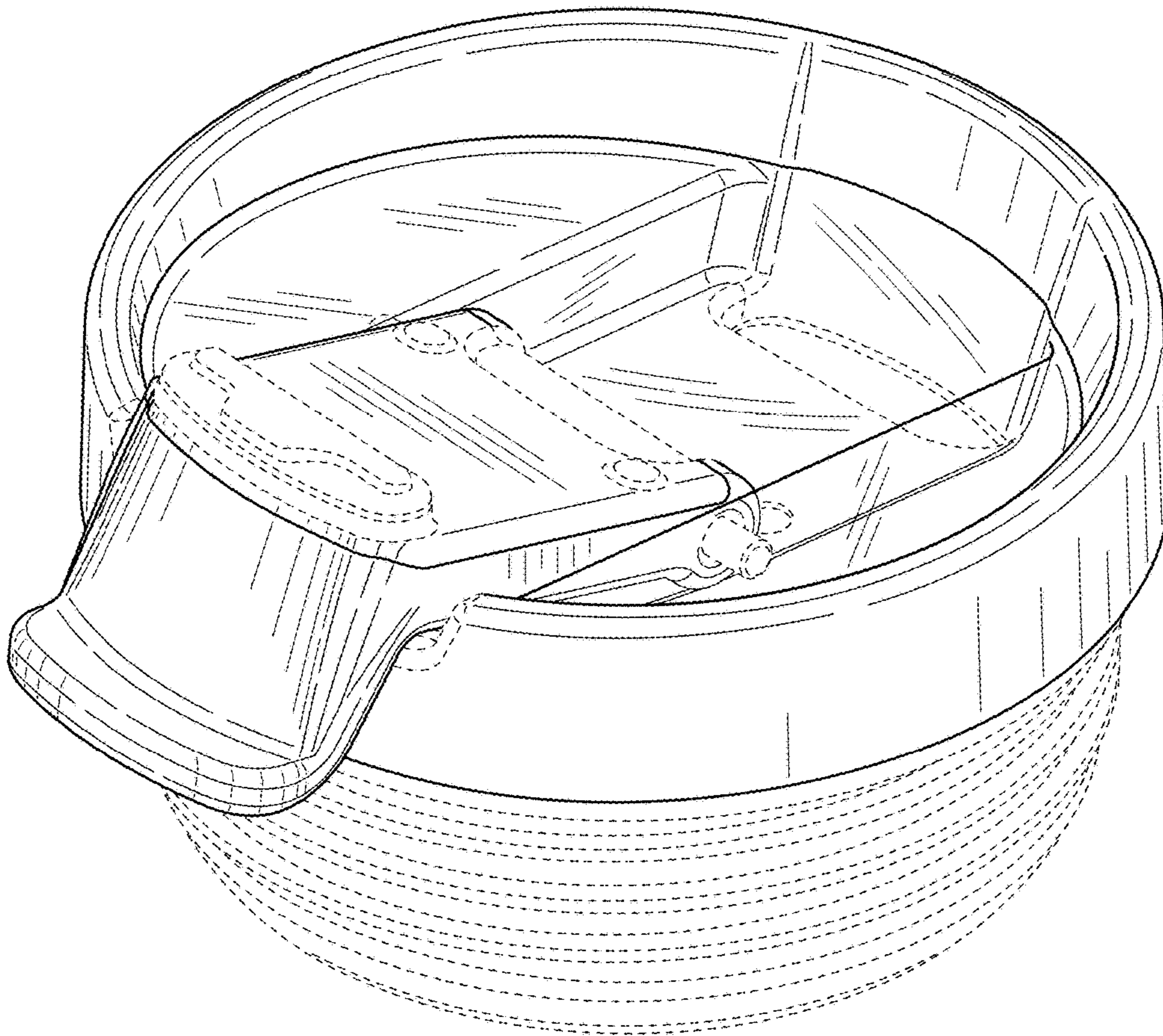


FIG. 8

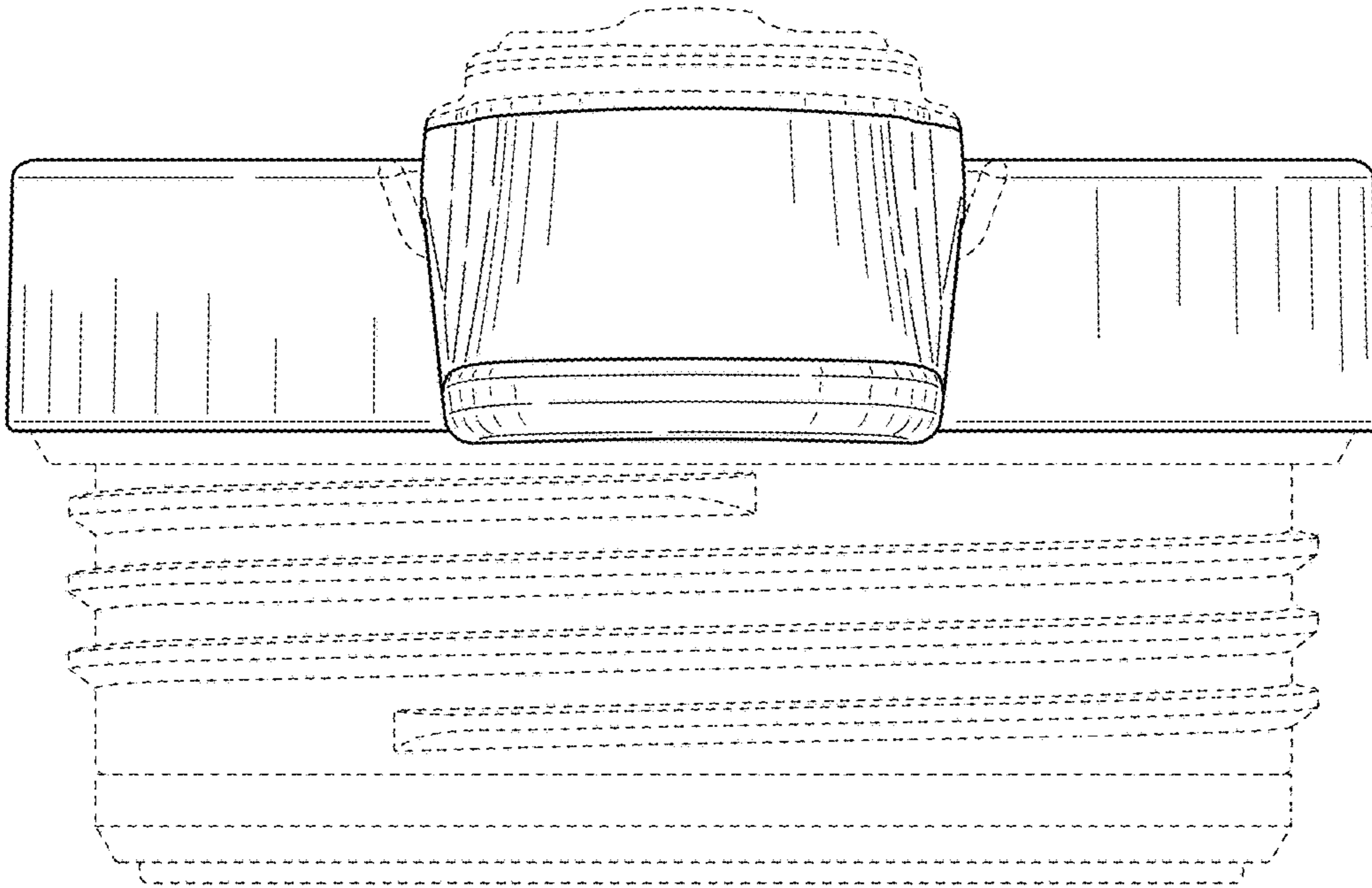


FIG. 9

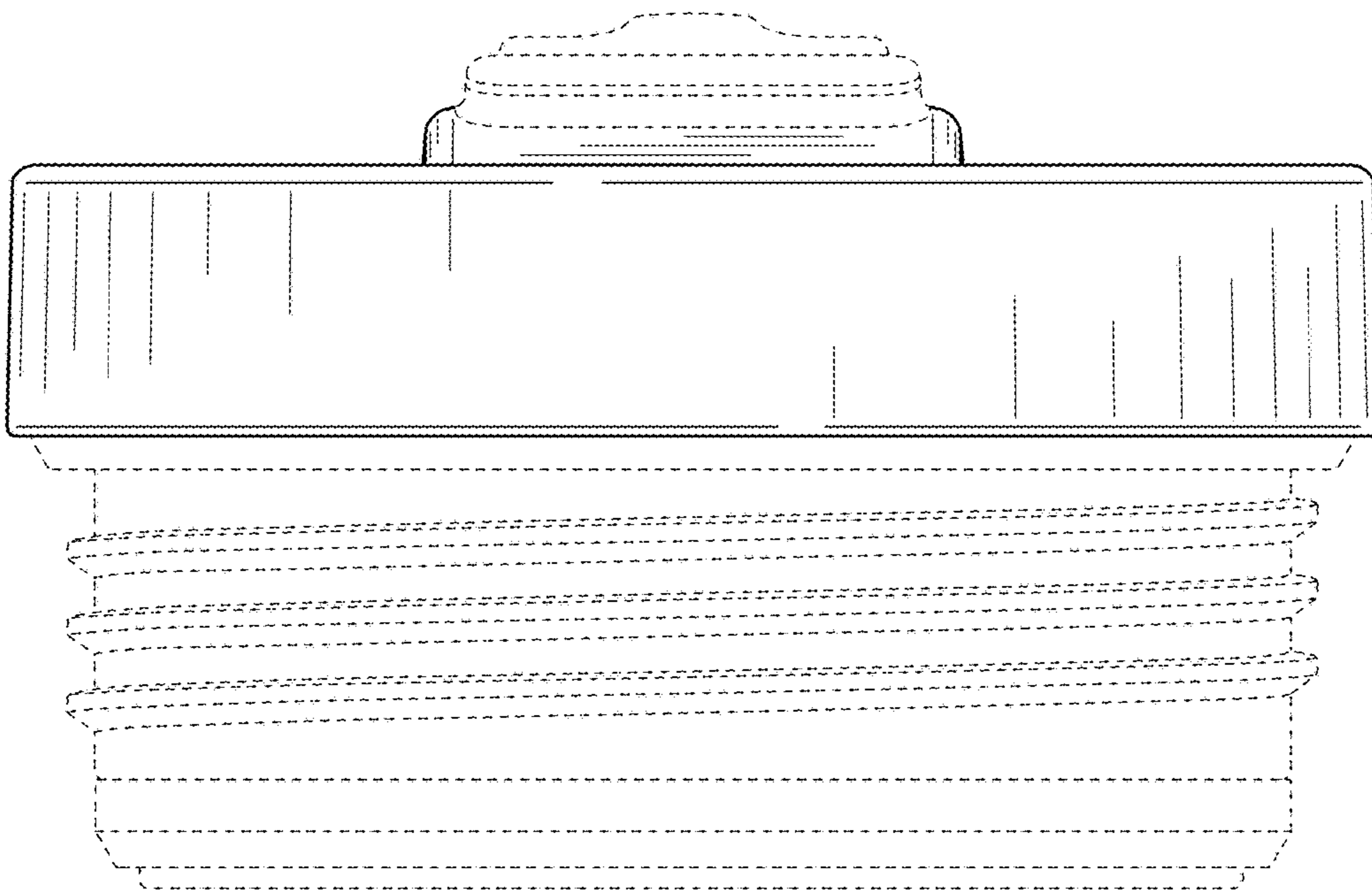


FIG. 10

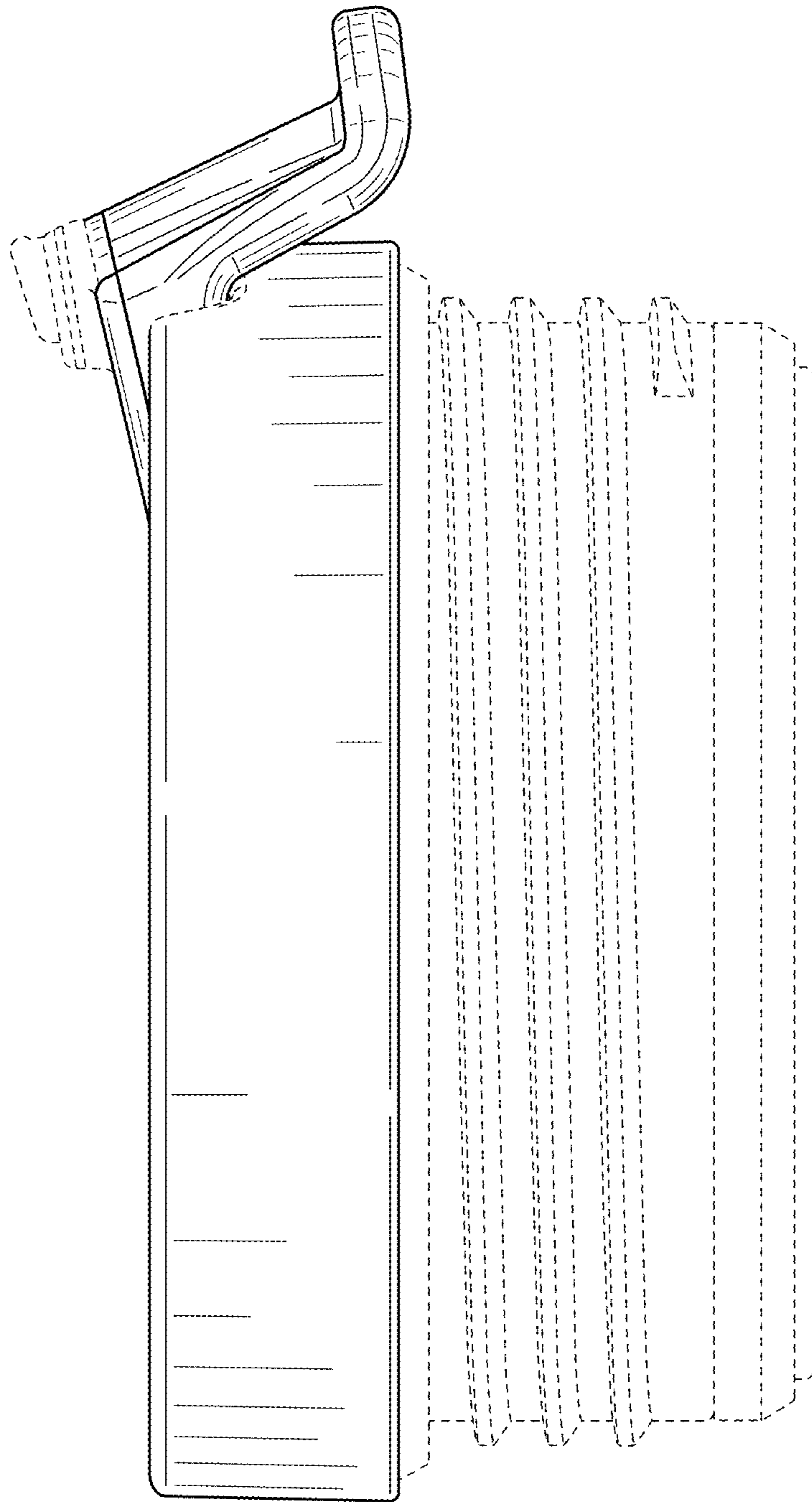


FIG. 11

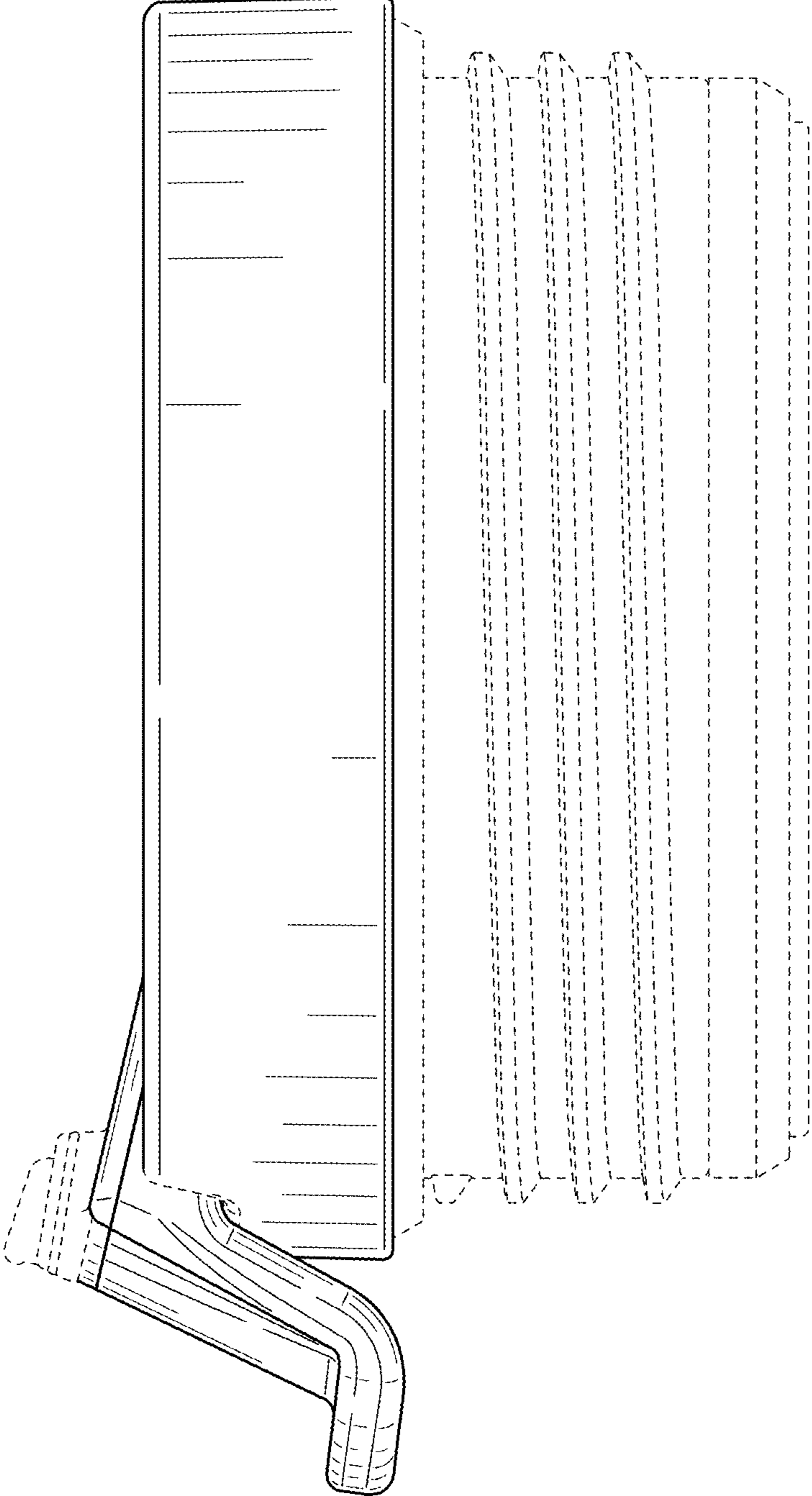


FIG. 12

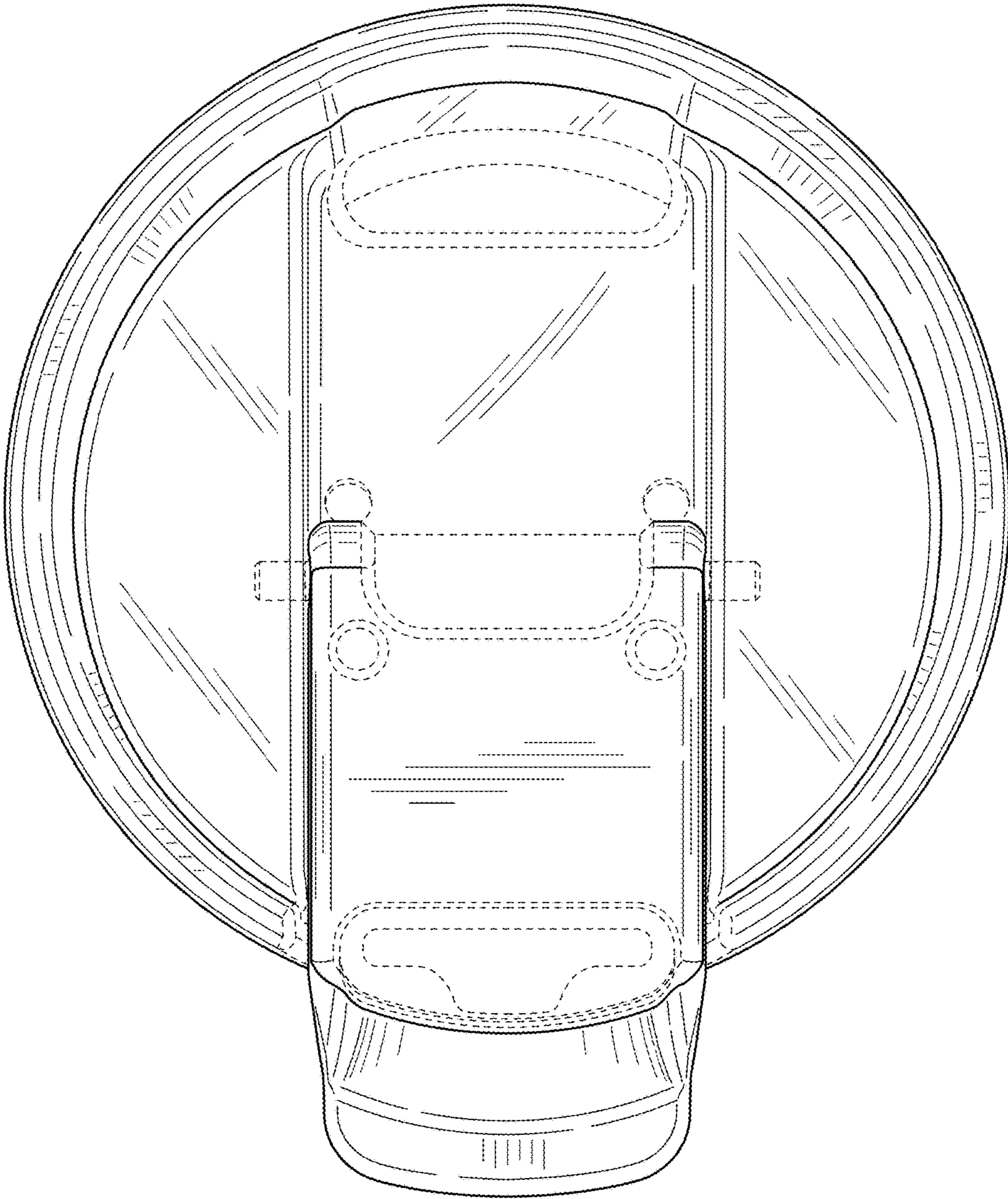


FIG. 13

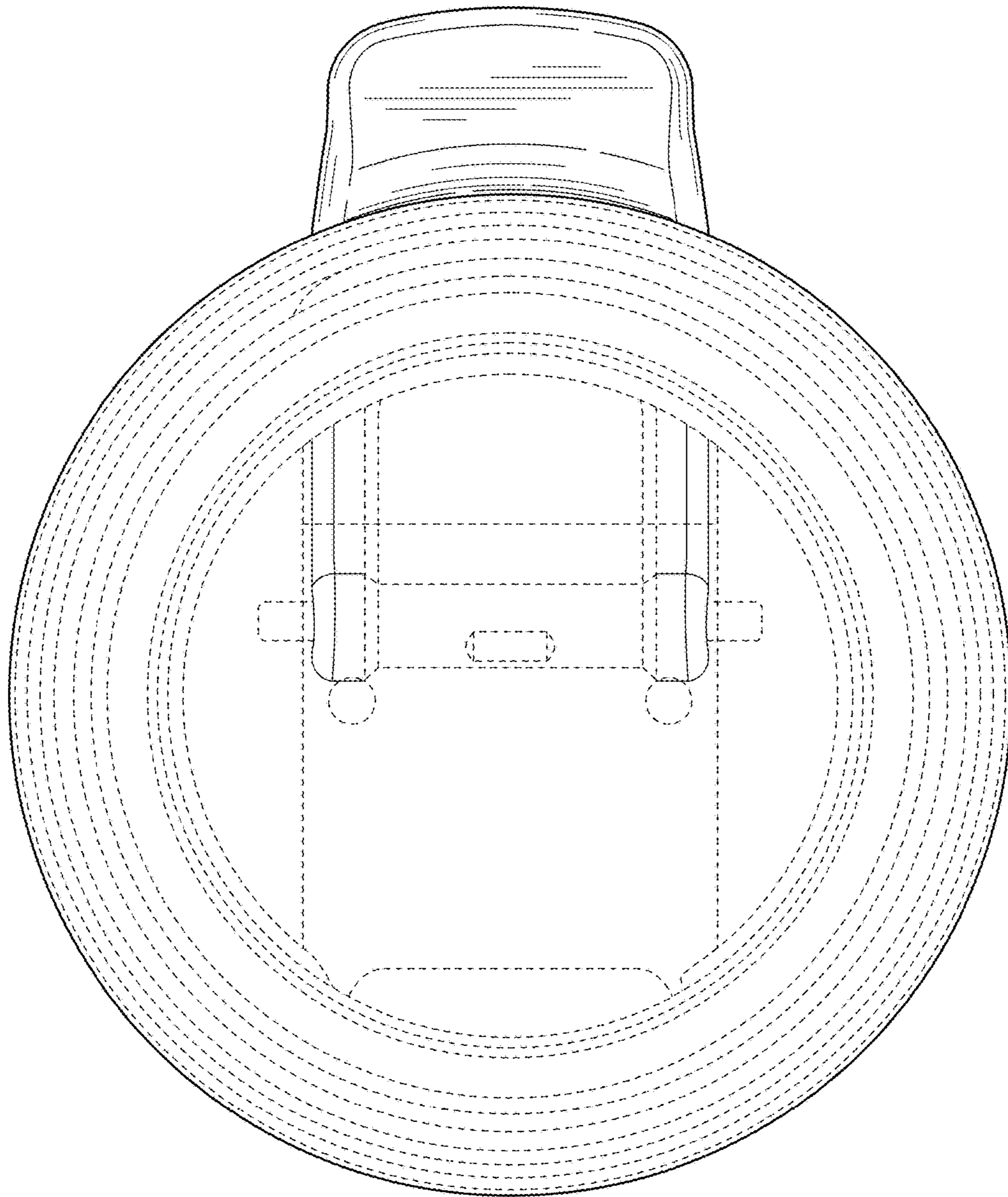


FIG. 14

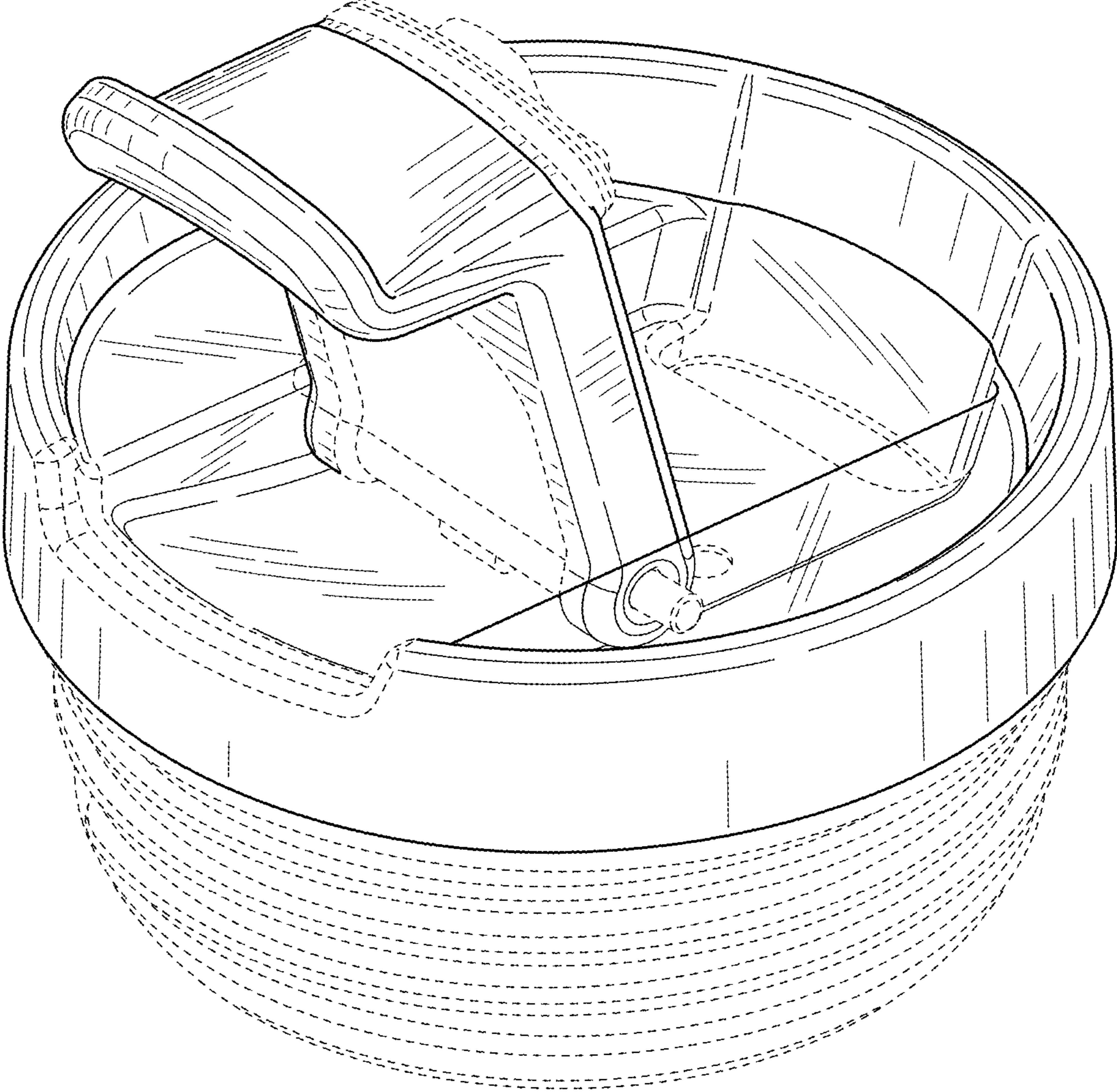


FIG. 15