



US00D834881S

(12) **United States Design Patent**  
**Seiders et al.**

(10) **Patent No.:** **US D834,881 S**

(45) **Date of Patent:** **\*\* Dec. 4, 2018**

(54) **LID**

(71) Applicant: **YETI Coolers, LLC**, Austin, TX (US)

(72) Inventors: **Roy Joseph Seiders**, Austin, TX (US);  
**Andy Bondhus**, Austin, TX (US); **Kyle Ellison**, Austin, TX (US); **Evan Goldberg**, Austin, TX (US)

(73) Assignee: **YETI Coolers, LLC**, Austin, TX (US)

(\*\*) Term: **15 Years**

(21) Appl. No.: **29/568,681**

(22) Filed: **Jun. 20, 2016**

(51) **LOC (11) Cl.** ..... **07-99**

(52) **U.S. Cl.**

USPC ..... **D7/392.1**; D9/449

(58) **Field of Classification Search**

USPC ..... D9/428, 429, 434, 435, 442, 443,  
D9/445-450, 453-456, 499, 682, 684,  
D9/685; D7/387, 388, 392, 392.1, 393,  
D7/396.2, 396.3, 396.4, 401.1, 408, 504,  
D7/507, 509-511, 538, 900; D3/202,  
D3/203.2, 318; D28/91.1

CPC .. A61J 1/00; A61J 1/1412; B65D 1/00; B65D  
1/02; B65D 1/10; B65D 1/46; B65D  
2585/56; B65D 2585/545; B65D 41/00;  
B65D 41/38; B65D 41/56; B65D 41/62;  
B65D 47/00; B65D 47/06; B65D 47/08;  
B65D 2543/00046; B65D 2543/00092;  
B65D 2543/00296; B65D 5/46; B65D  
2251/00

See application file for complete search history.

(56) **References Cited**

**U.S. PATENT DOCUMENTS**

D192,192 S 2/1962 Tupper  
4,090,660 A 5/1978 Schram et al.  
4,202,459 A 5/1980 DeParales et al.

(Continued)

**OTHER PUBLICATIONS**

“Bubba Brands Classic Insulated Travel Mug”. Found online Mar. 9, 2017 at amazon.com. Page dated Sep. 30, 2010 Retrieved from [https://www.amazon.com/Bubba-Brands-1953403-Classic-Insulated/dp/B01FB7IG8Y/ref=cm\\_cr\\_ar\\_p\\_d\\_product\\_top?ie=UTF8](https://www.amazon.com/Bubba-Brands-1953403-Classic-Insulated/dp/B01FB7IG8Y/ref=cm_cr_ar_p_d_product_top?ie=UTF8).

(Continued)

*Primary Examiner* — Karen S Acker

*Assistant Examiner* — Wendy L Arminio

(74) *Attorney, Agent, or Firm* — Banner & Witcoff, Ltd.

(57) **CLAIM**

The ornamental design for a lid, as shown and described.

**DESCRIPTION**

FIG. 1 is a top, front, right perspective view of a lid showing our new design;

FIG. 2 is a front view thereof;

FIG. 3 is a rear view thereof;

FIG. 4 is a left side view thereof;

FIG. 5 is a right side view thereof;

FIG. 6 is a top view thereof;

FIG. 7 is a bottom view thereof;

FIG. 8 is a top, front, right perspective view of a lid showing our new design in an alternate configuration;

FIG. 9 is a front view thereof;

FIG. 10 is a rear view thereof;

FIG. 11 is a left side view thereof;

FIG. 12 is a right side view thereof;

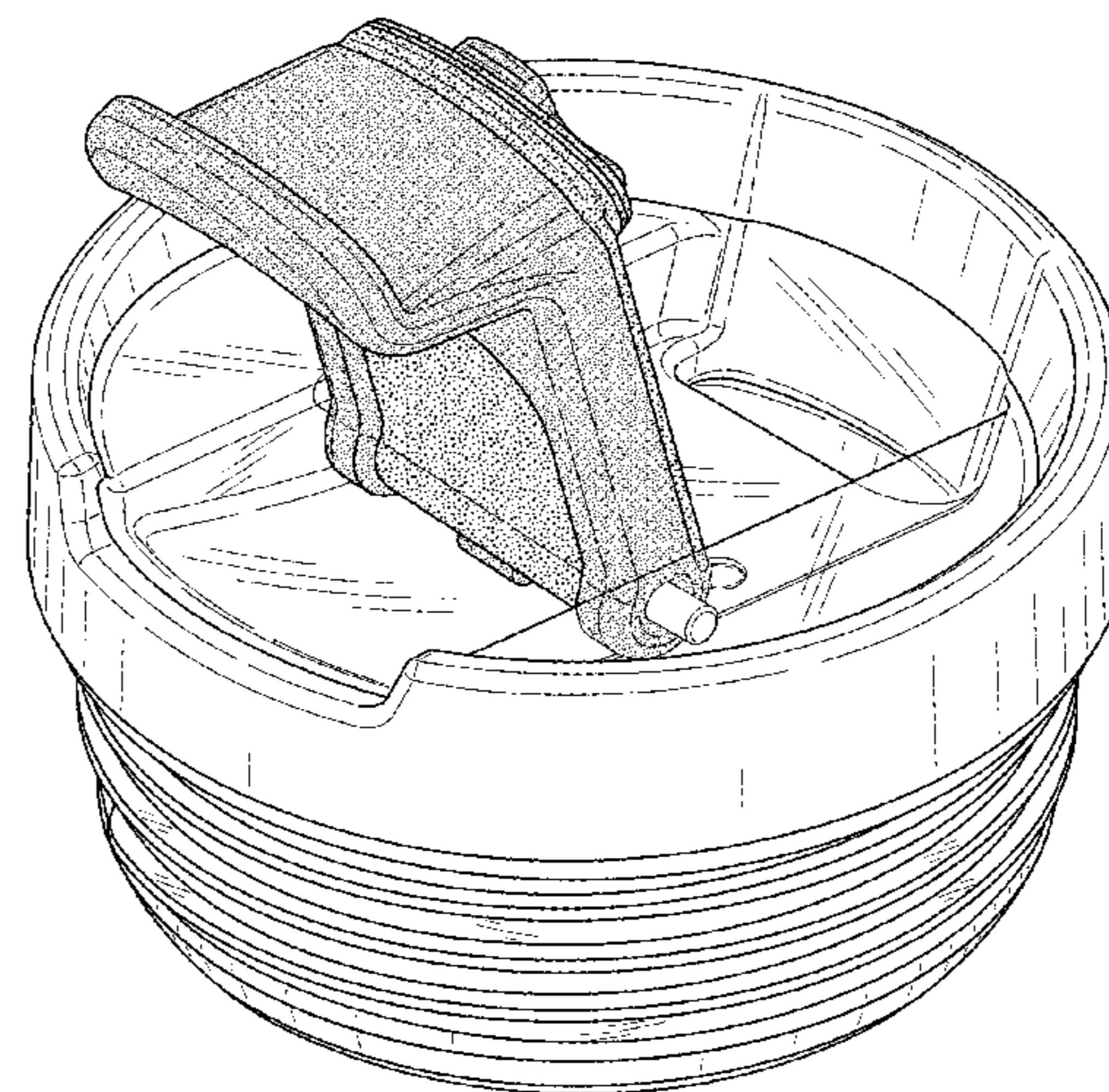
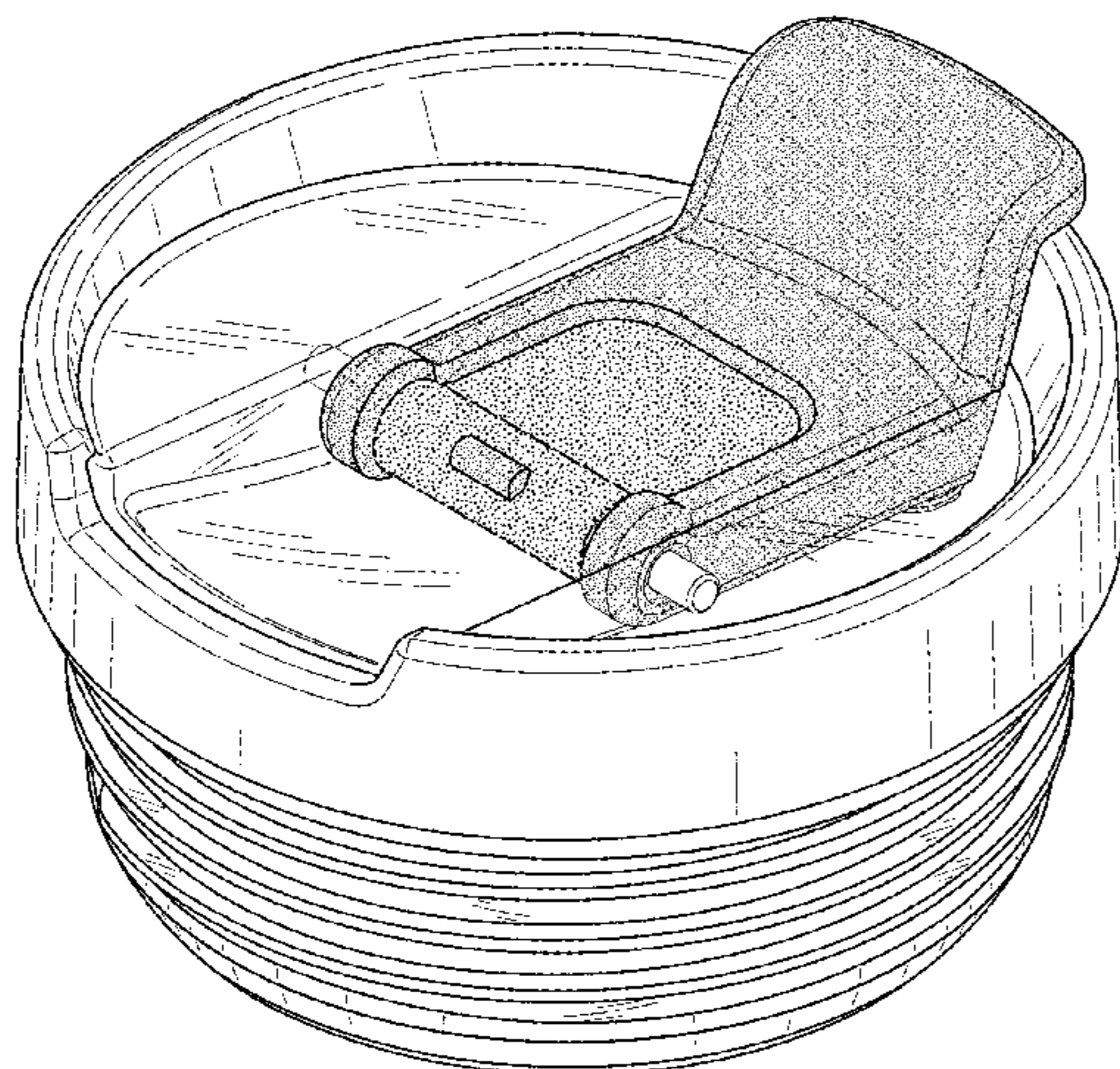
FIG. 13 is a top view thereof;

FIG. 14 is a bottom view thereof; and,

FIG. 15 is a top, front, right perspective view of a lid showing our new design in a second alternate configuration.

The oblique shade lines in the drawings describe transparent areas of the lid. The broken lines in the drawings depict portions of the lid that form no part of the claimed design.

**1 Claim, 12 Drawing Sheets**



(56)

References Cited

U.S. PATENT DOCUMENTS

4,408,703 A 10/1983 Libit  
D363,666 S \* 10/1995 Goto ..... D7/900  
D485,759 S \* 1/2004 Janky ..... D7/392.1  
D504,796 S \* 5/2005 Schuler ..... D7/392.1  
D544,749 S 6/2007 Seum et al.  
D552,926 S \* 10/2007 Yelland ..... D7/392.1  
D608,140 S 1/2010 Gilbert  
D627,600 S \* 11/2010 Eyal ..... D7/510  
D643,245 S \* 8/2011 Minarsch ..... D7/392.1  
D644,060 S \* 8/2011 Komeiji ..... D7/392.1  
D647,753 S \* 11/2011 Lin ..... D7/392.1  
D655,570 S \* 3/2012 Meehan ..... D7/510  
D655,967 S \* 3/2012 Bodum ..... D7/300.1  
D666,052 S 8/2012 Trombly  
D667,263 S 9/2012 Gilbert et al.  
8,276,776 B2 10/2012 Roth et al.  
D674,663 S 1/2013 Cahen  
D691,416 S \* 10/2013 Eyal ..... D7/396.2  
D692,756 S \* 11/2013 McClellan ..... D9/447  
D715,100 S 10/2014 Eyal  
D717,115 S 11/2014 Lane et al.  
D721,540 S \* 1/2015 Grcic ..... D7/511  
D732,337 S 6/2015 Coon et al.  
D747,199 S 1/2016 Phillips  
D751,340 S 3/2016 Seiders et al.  
D751,341 S 3/2016 Seiders et al.  
D752,381 S \* 3/2016 Wahl ..... D7/392.1  
D761,618 S \* 7/2016 Lapsker ..... D7/392.1  
D764,869 S \* 8/2016 Smrtnik ..... D7/507  
D772,651 S \* 11/2016 Leonard ..... D7/510

D779,872 S 2/2017 Bergstrom  
2010/0288782 A1\* 11/2010 Lin ..... A47G 19/22  
220/752  
2011/0114655 A1 5/2011 Bailey  
2012/0125931 A1\* 5/2012 Roth ..... A47G 19/22  
220/254.3

OTHER PUBLICATIONS

“Hydro Flask Wide Mouth Hydro Flip Lid”. Found online Mar. 9, 2017 at amazon.com. Page dated Oct. 9, 2012. Retrieved from [http://www.amazon.com/Hydro-Flask-Wide-Mouth-Black/dp/B01GW2H430/ref=cm\\_cr\\_ar\\_p\\_d\\_product\\_top?ie=UTF8](http://www.amazon.com/Hydro-Flask-Wide-Mouth-Black/dp/B01GW2H430/ref=cm_cr_ar_p_d_product_top?ie=UTF8). Hydro Flask. Hydro Flip. 2015 [earliest online date], [site visited Apr. 28, 2017]. Available from Internet, <URL:<https://www.hydroflask.com/hydro-flip#92=57>>.  
“Bubba Hero Bottle Replacement Lid”. Found online Mar. 9, 2017 at amazon.com. Page dated Jan. 14, 2015. Retrieved from [https://www.amazon.com/bubba-HERO-bottle-replacement-lid/dp/B00QQYDI44/ref=cm\\_cr\\_ar\\_p\\_d\\_product\\_top?ie=UTF8](https://www.amazon.com/bubba-HERO-bottle-replacement-lid/dp/B00QQYDI44/ref=cm_cr_ar_p_d_product_top?ie=UTF8).  
“Contigo Extreme Stainless Steel Travel Mug”. Found online Mar. 9, 2017 at amazon.com. Page dated Sep. 13, 2016. Retrieved from [https://www.amazon.com/Contigo-Extreme-Stainless-Insulated-Limited/dp/B01LZGBMKT/ref=pd\\_sim\\_79\\_3?\\_encoding=UTF8&psc=&refRID=A4VHP8EG6AKH3BG73BMZ](https://www.amazon.com/Contigo-Extreme-Stainless-Insulated-Limited/dp/B01LZGBMKT/ref=pd_sim_79_3?_encoding=UTF8&psc=&refRID=A4VHP8EG6AKH3BG73BMZ).  
Jane. Spill Resistant Flip Lid and Yeti Accessories. Dec. 5, 2016 [earliest online date], [site visited Apr. 28, 2017]. Available from Internet, <URL:<https://jane.com/deal/263319/spill-resistant-flip-lid-and-yeti-accessories-30oz-many-colors>>.

\* cited by examiner

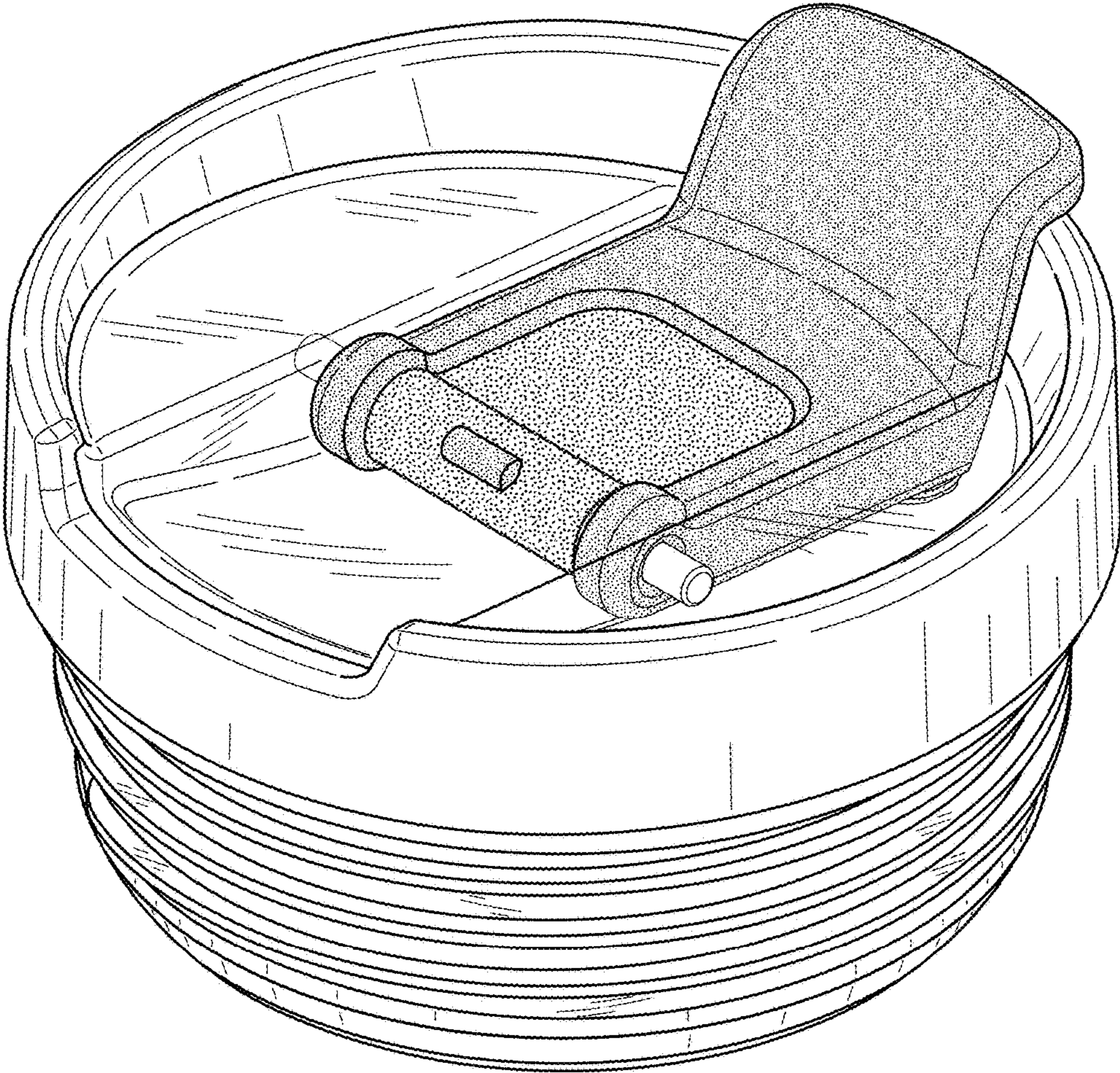


FIG. 1

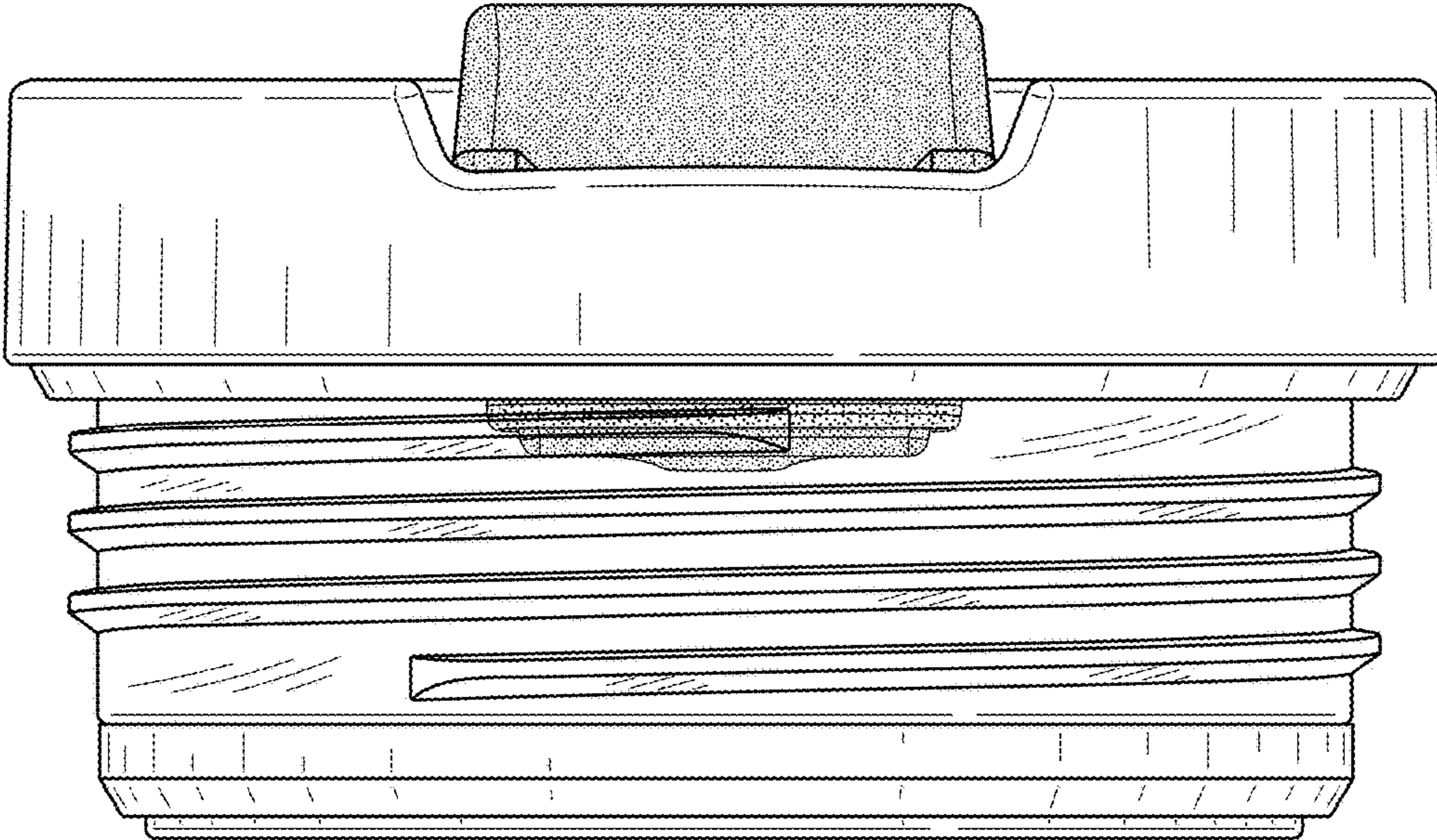


FIG. 2

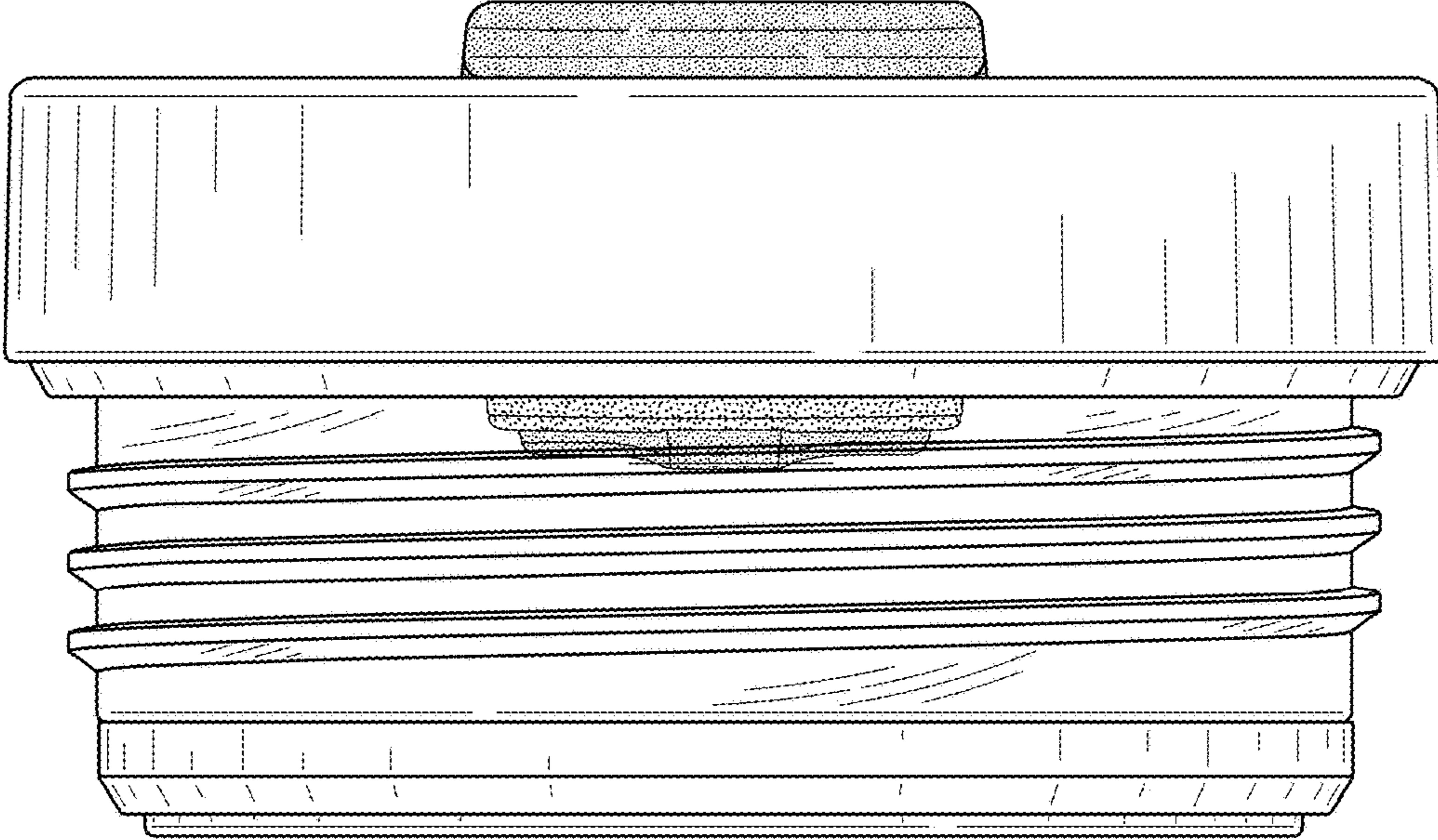


FIG. 3

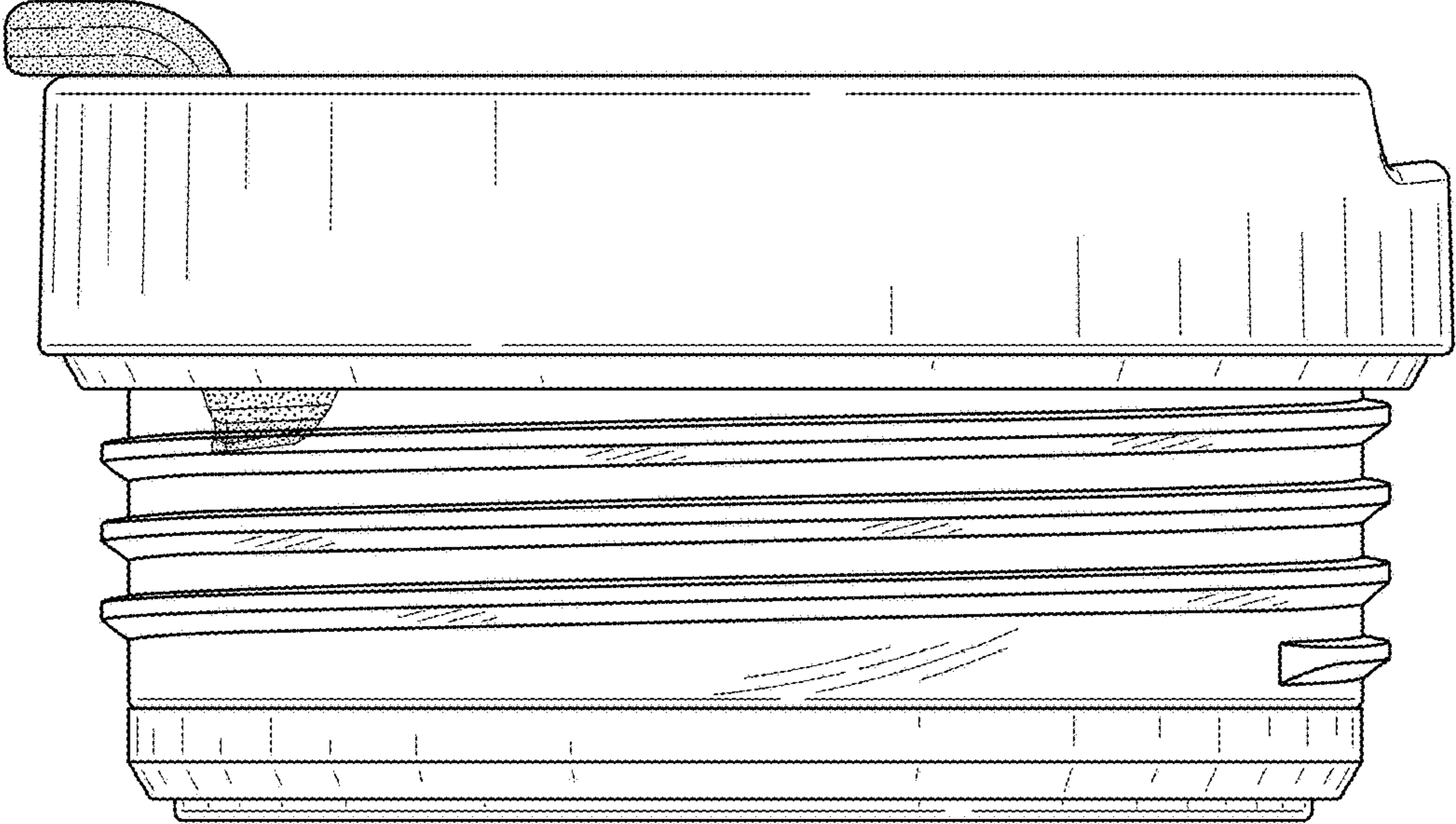


FIG. 4

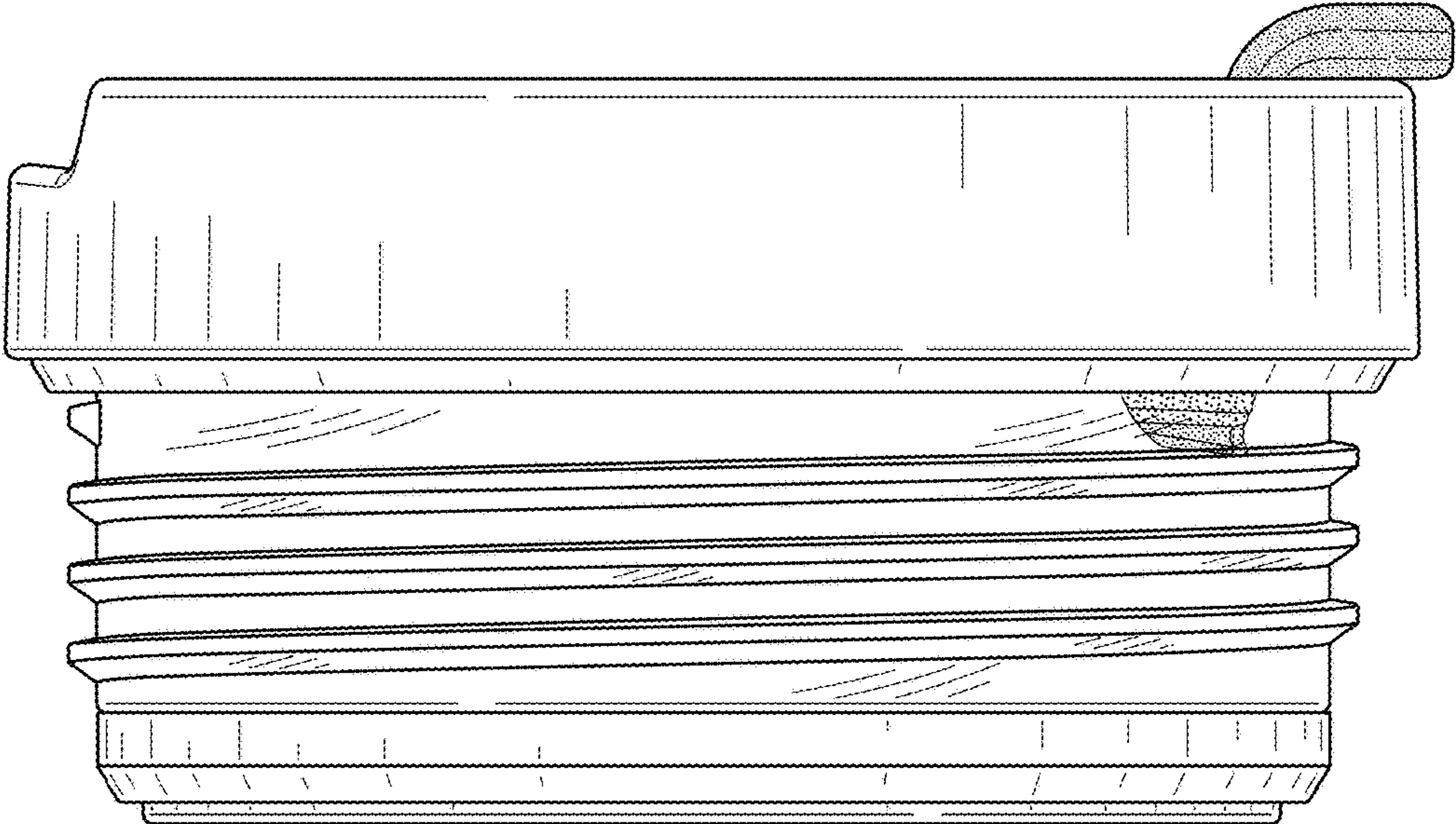


FIG. 5

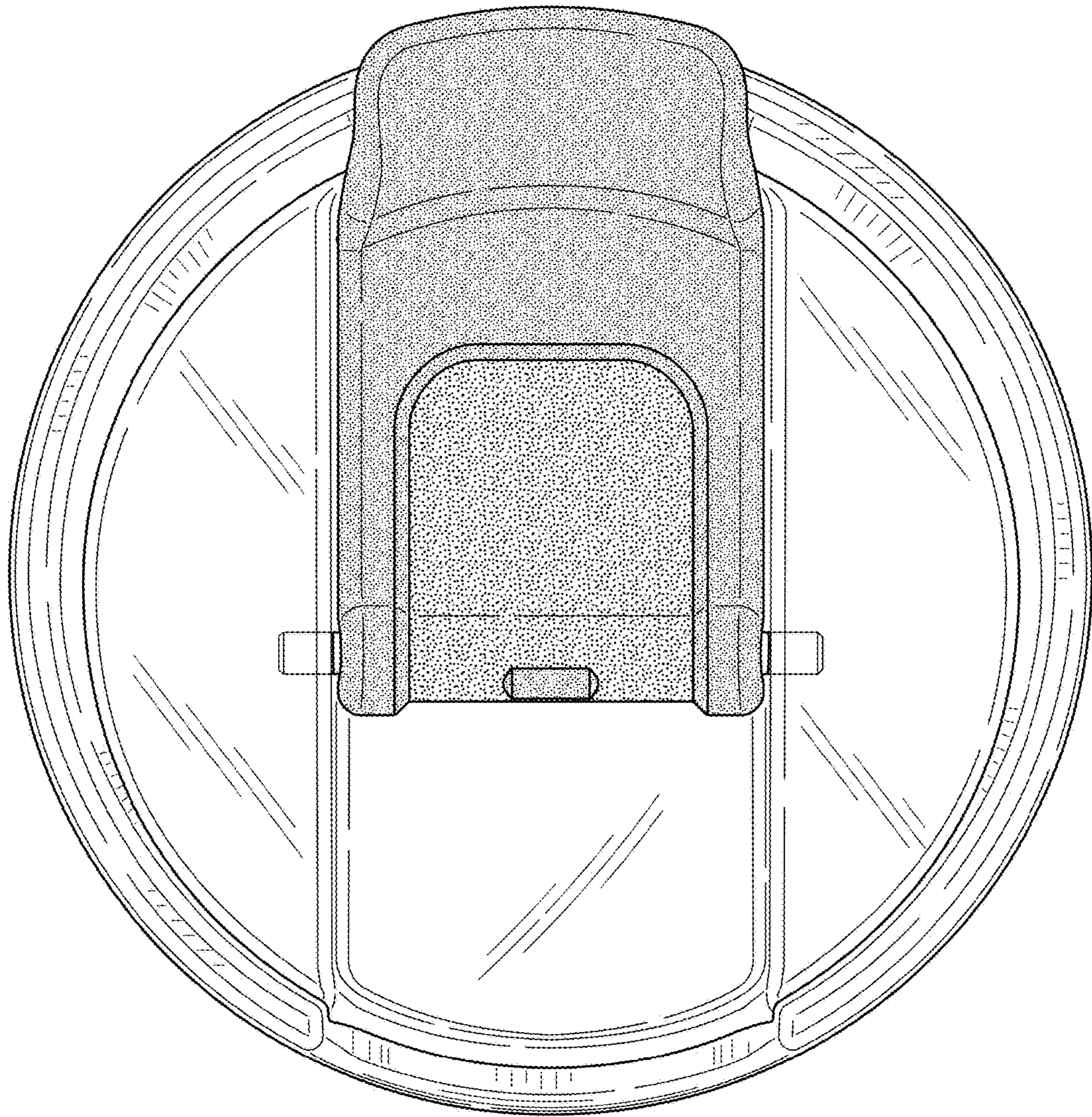


FIG. 6

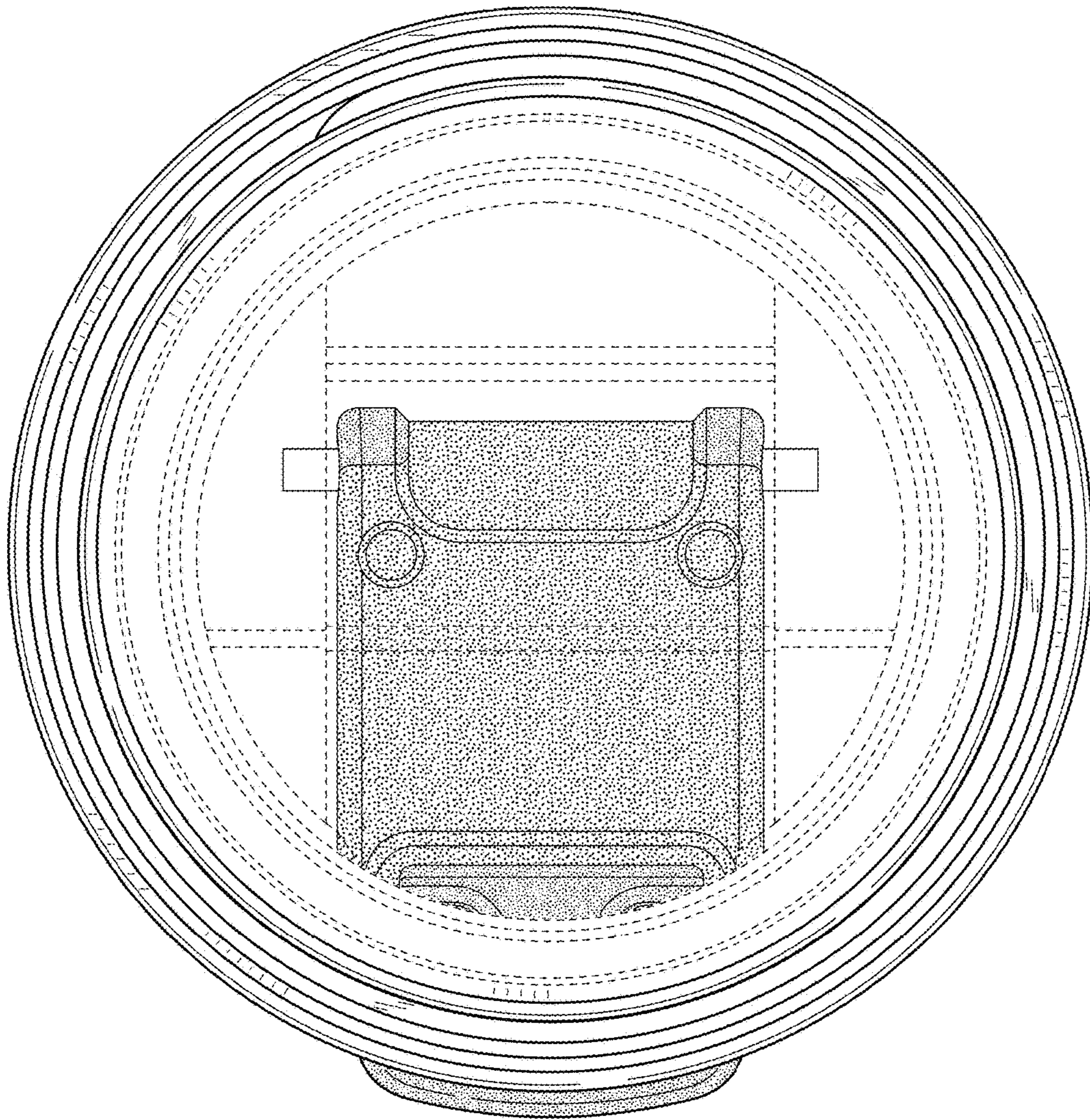


FIG. 7

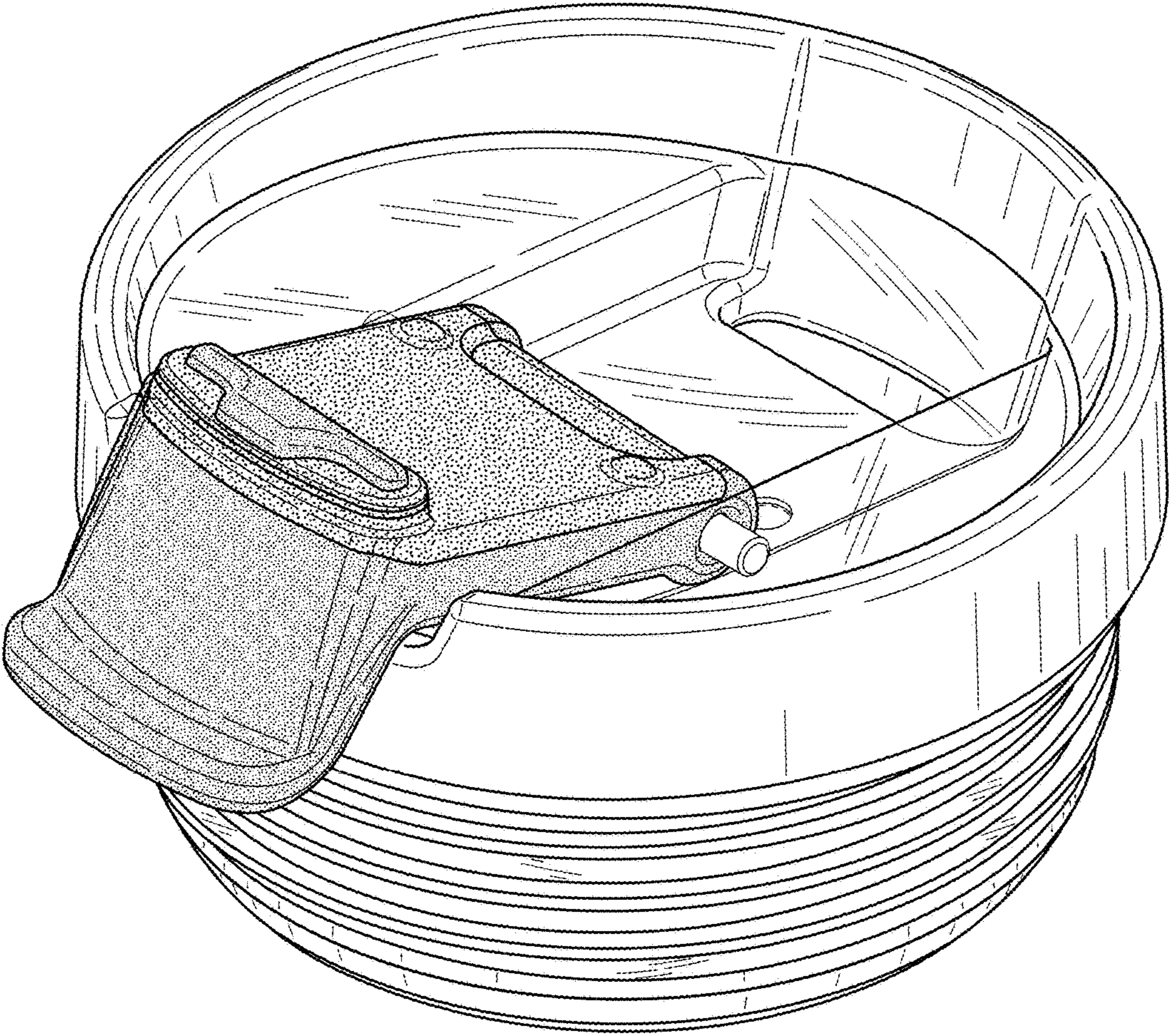


FIG. 8



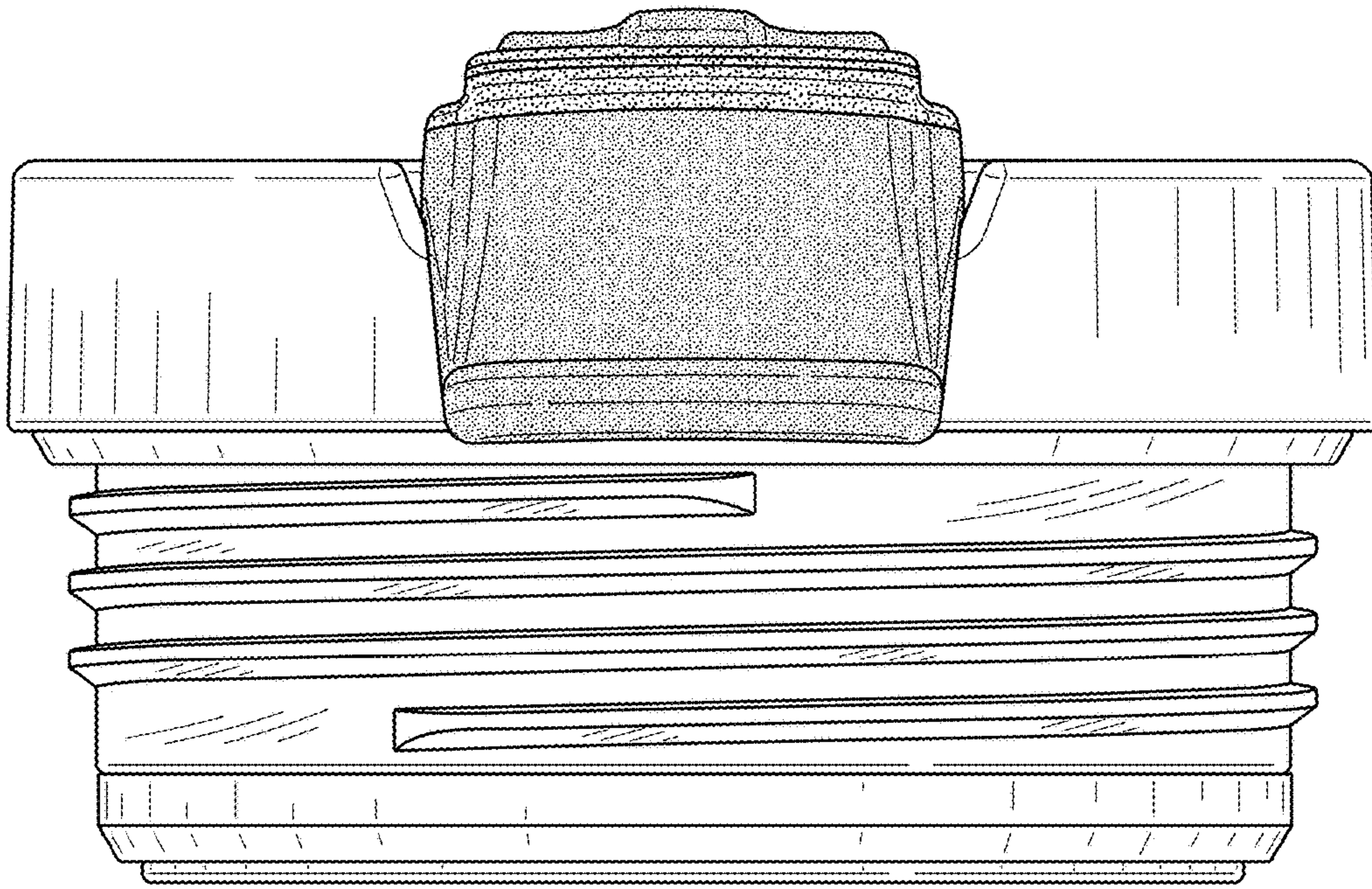


FIG. 9

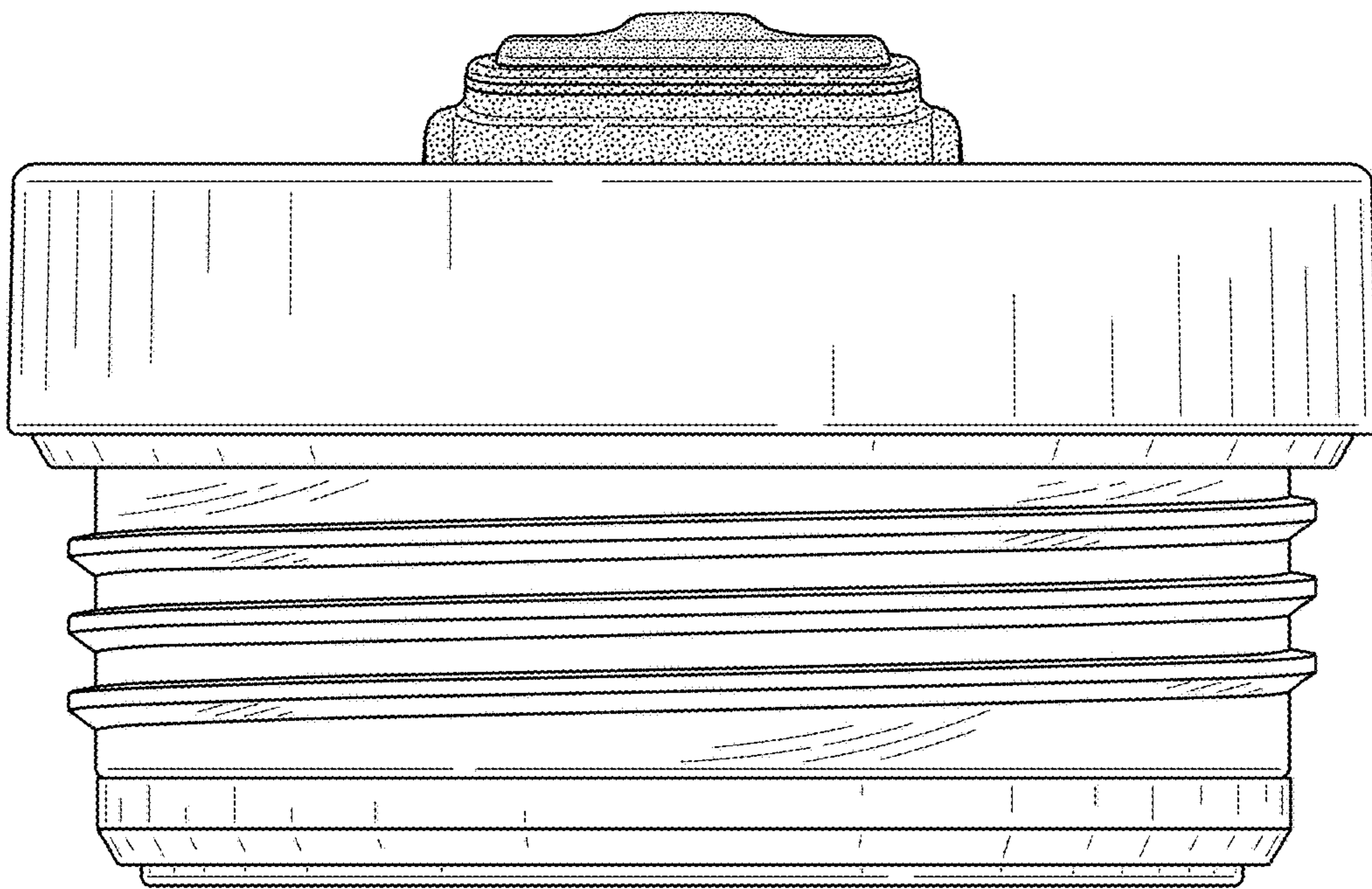


FIG. 10

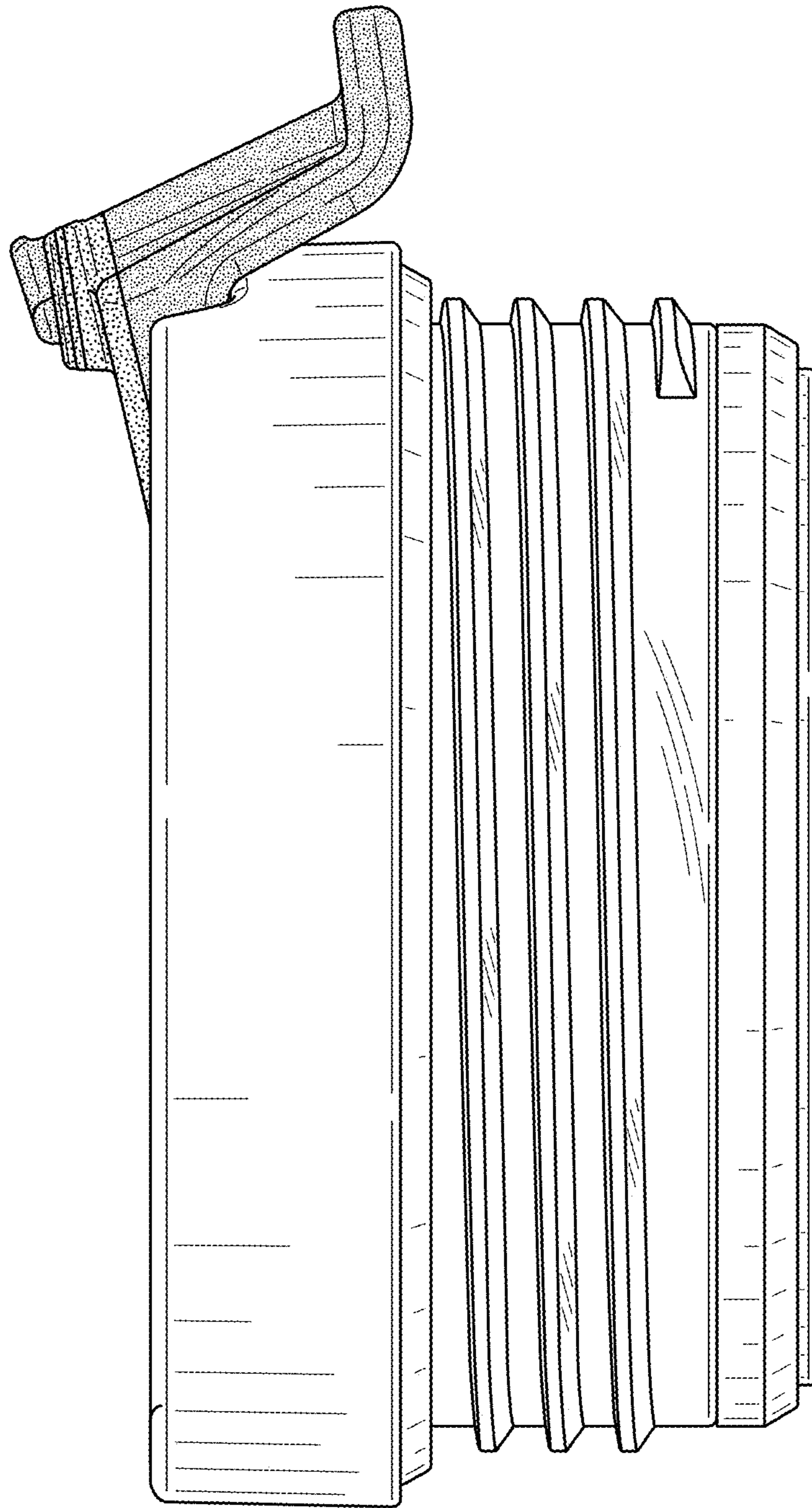


FIG. 11



FIG. 12

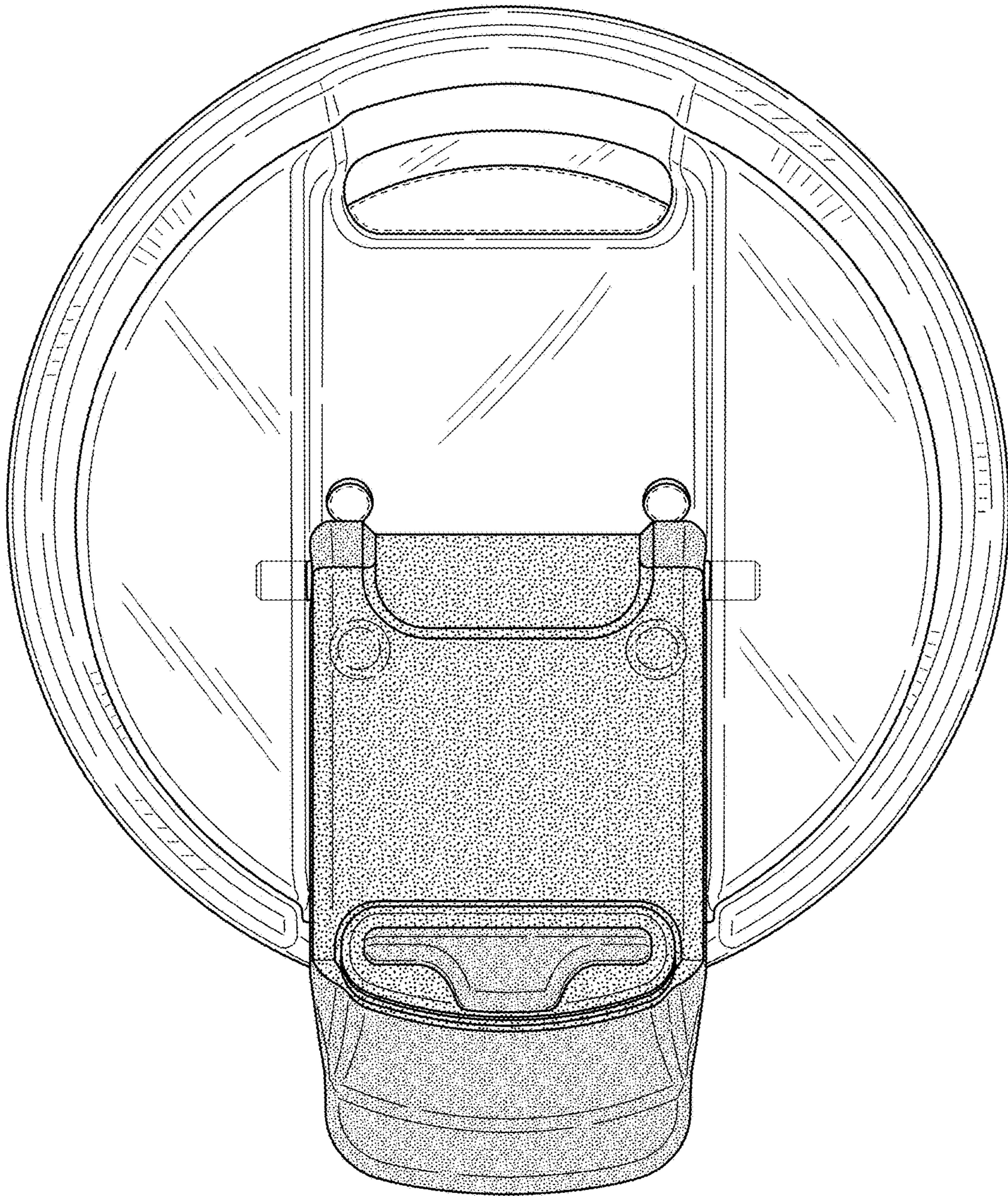


FIG. 13

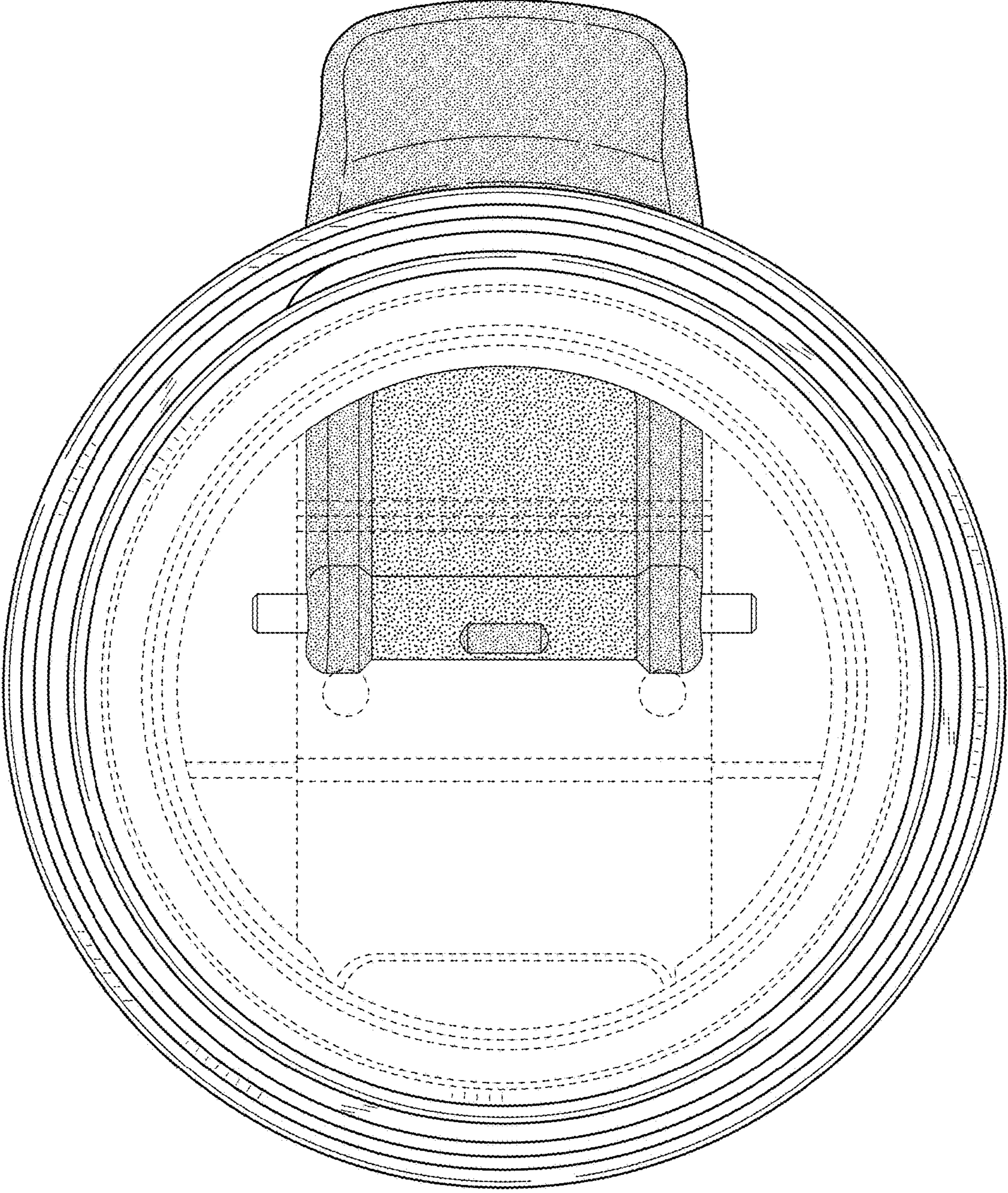


FIG. 14

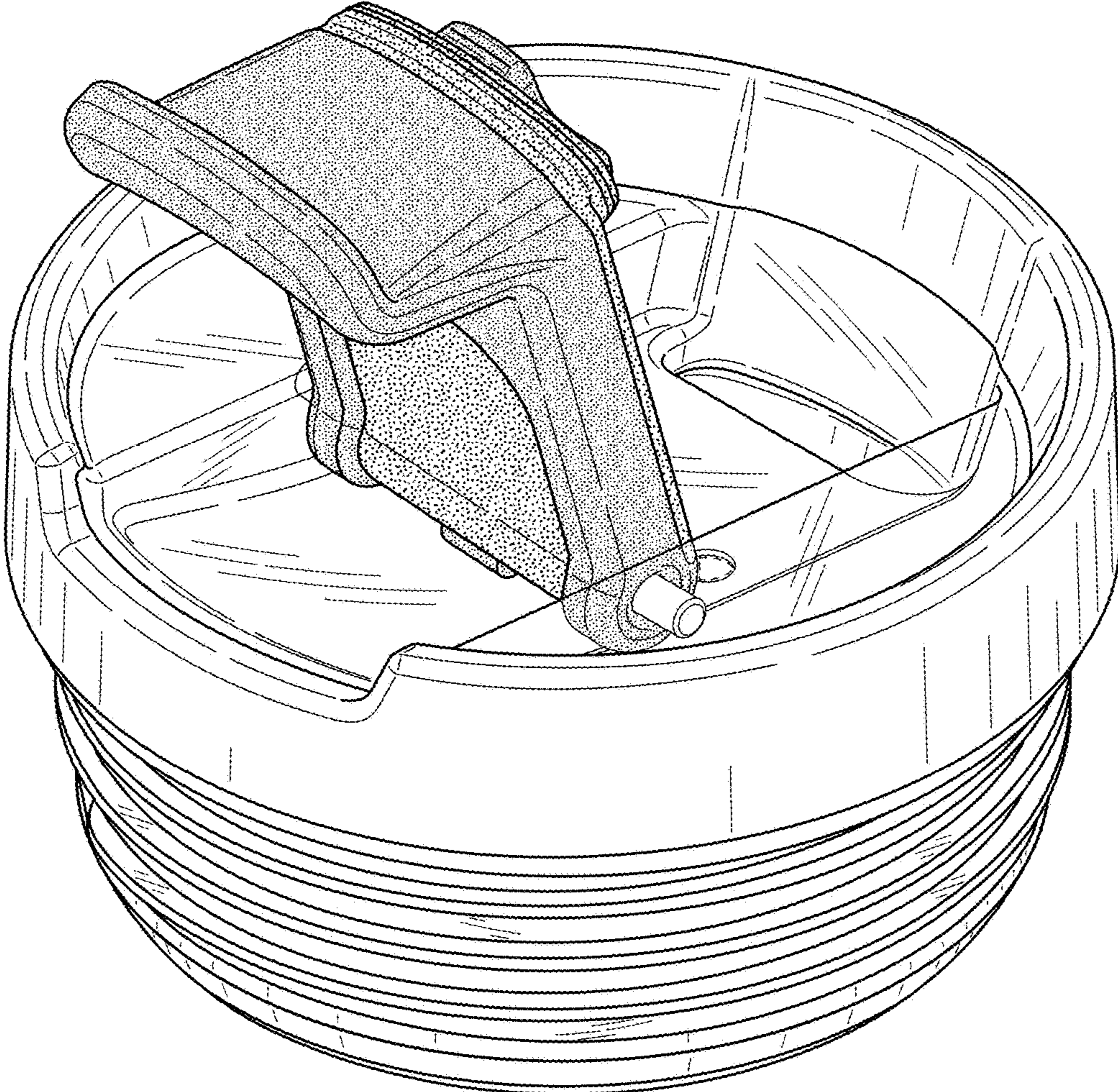


FIG. 15