



US00D834880S

(12) **United States Design Patent** (10) **Patent No.:** **US D834,880 S**  
**Rupp** (45) **Date of Patent:** **\*\* Dec. 4, 2018**

(54) **ICE SHAVE LID**

B28C 5/10; B28C 5/12; B28C 5/14;  
B28C 5/16

(71) Applicant: **Snowie LLC**, Salt Lake City, UT (US)

See application file for complete search history.

(72) Inventor: **Carl A. Rupp**, Salt Lake City, UT (US)

(56) **References Cited**

(73) Assignee: **Snowie LLC**, Salt Lake City, UT (US)

U.S. PATENT DOCUMENTS

(\*\*) Term: **15 Years**

(21) Appl. No.: **29/641,052**

(22) Filed: **Mar. 19, 2018**

4,390,133	A *	6/1983	Wanat .....	A47J 43/255 241/285.2
D300,400	S *	3/1989	Kelly .....	D7/381
4,884,755	A *	12/1989	Hedrington .....	A47J 43/255 241/169.1
D339,026	S *	9/1993	Bannigan .....	D7/376
D431,437	S *	10/2000	Niwa .....	D8/62
6,194,013	B1 *	2/2001	Kolar .....	A23G 9/045 222/77
D448,262	S *	9/2001	Heun .....	D8/62
D510,006	S *	9/2005	Van Wambeke .....	D8/62
D553,427	S *	10/2007	Ball .....	D7/384
D812,961	S *	3/2018	Rupp .....	D7/374
2005/0003748	A1 *	1/2005	Dutterer .....	B24B 23/03 451/357
2005/0207273	A1 *	9/2005	Newman .....	A47J 43/044 366/314

**Related U.S. Application Data**

(63) Continuation of application No. 29/584,188, filed on Nov. 11, 2016, now Pat. No. Des. 812,961, which is a continuation of application No. 14/520,254, filed on Oct. 21, 2014.

(Continued)

(51) **LOC (11) Cl.** ..... **31-00**

*Primary Examiner* — Ricky Pham

(52) **U.S. Cl.**

(74) *Attorney, Agent, or Firm* — Terrence J. Edwards;  
TechLaw Ventures, PLLC

USPC ..... **D7/391**; D7/374

(58) **Field of Classification Search**

USPC ..... D7/372, 374, 376–386, 412–413, 602,  
D7/629, 665–666, 669, 679, 693–694;  
D8/62

(57) **CLAIM**

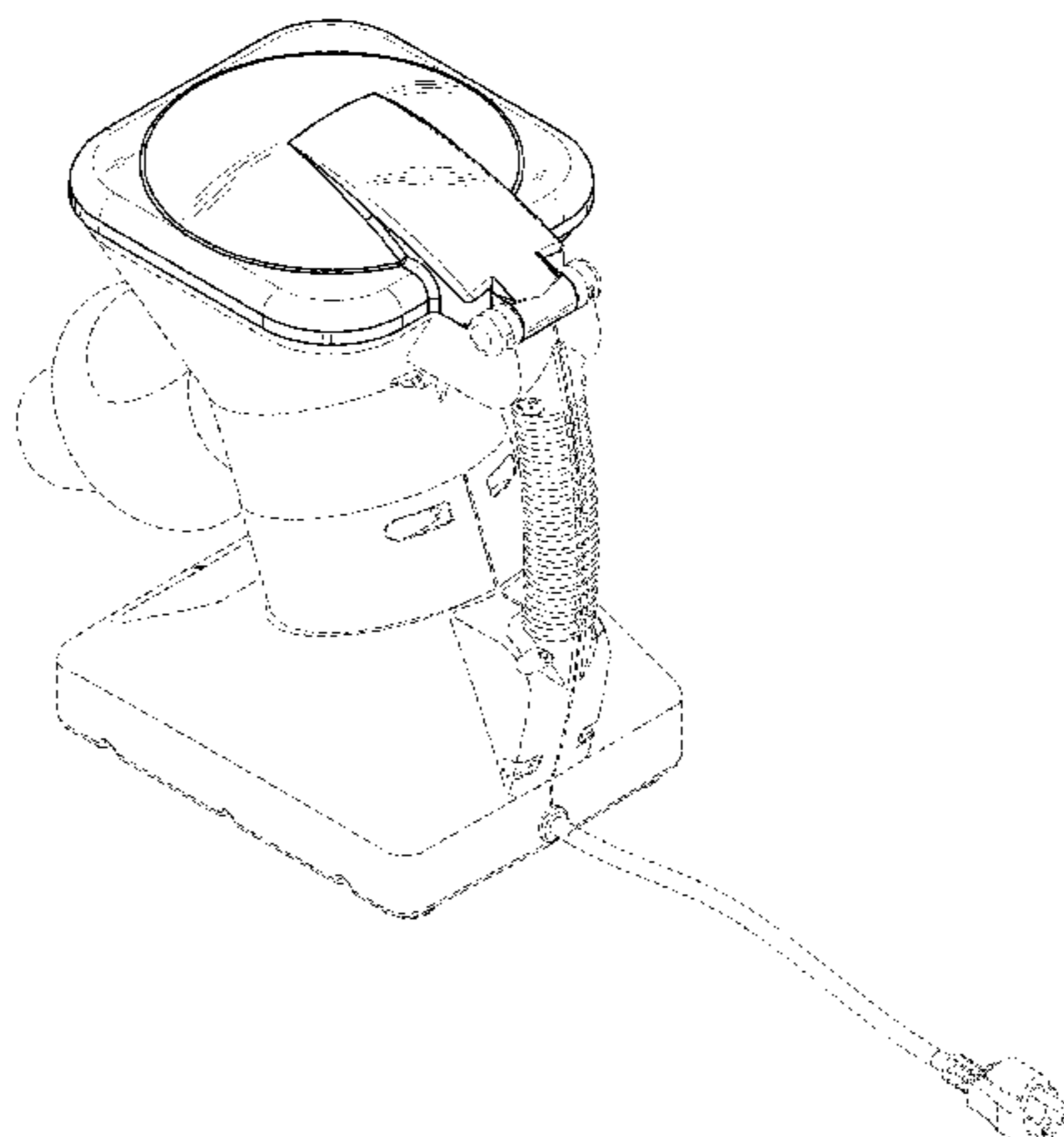
I claim the ornamental design for an ice shaver lid, as shown and described.

CPC .. A21C 1/02; A21C 1/04; A23G 9/045; A23N  
1/00; A23N 1/02; A47J 43/04; A47J  
43/25; A47J 43/27; A47J 43/042; A47J  
43/044; A47J 43/046; A47J 43/075; A47J  
43/0722; A47J 43/0727; A47J 43/255;  
B01F 3/00; B01F 3/0807; B01F 3/0853;  
B01F 13/0059; B01F 13/0064; B02C  
1/08; B02C 2/04; B02C 4/42; B02C  
4/142; B02C 4/143; B02C 4/423; B02C  
13/1835; B24B 23/03; B24B 55/102;

**DESCRIPTION**

FIG. 1 is a perspective view of an ice shaver lid showing my new design;  
FIG. 2 is a side view thereof;  
FIG. 3 is an opposite side view thereof;  
FIG. 4 is a front view thereof;  
FIG. 5 is a rear view thereof;  
FIG. 6 is a top view thereof; and,  
FIG. 7 is a bottom view thereof.

(Continued)



The broken lines shown in the drawings are for illustrative purposes only and form no part of the claimed design.

**1 Claim, 5 Drawing Sheets**

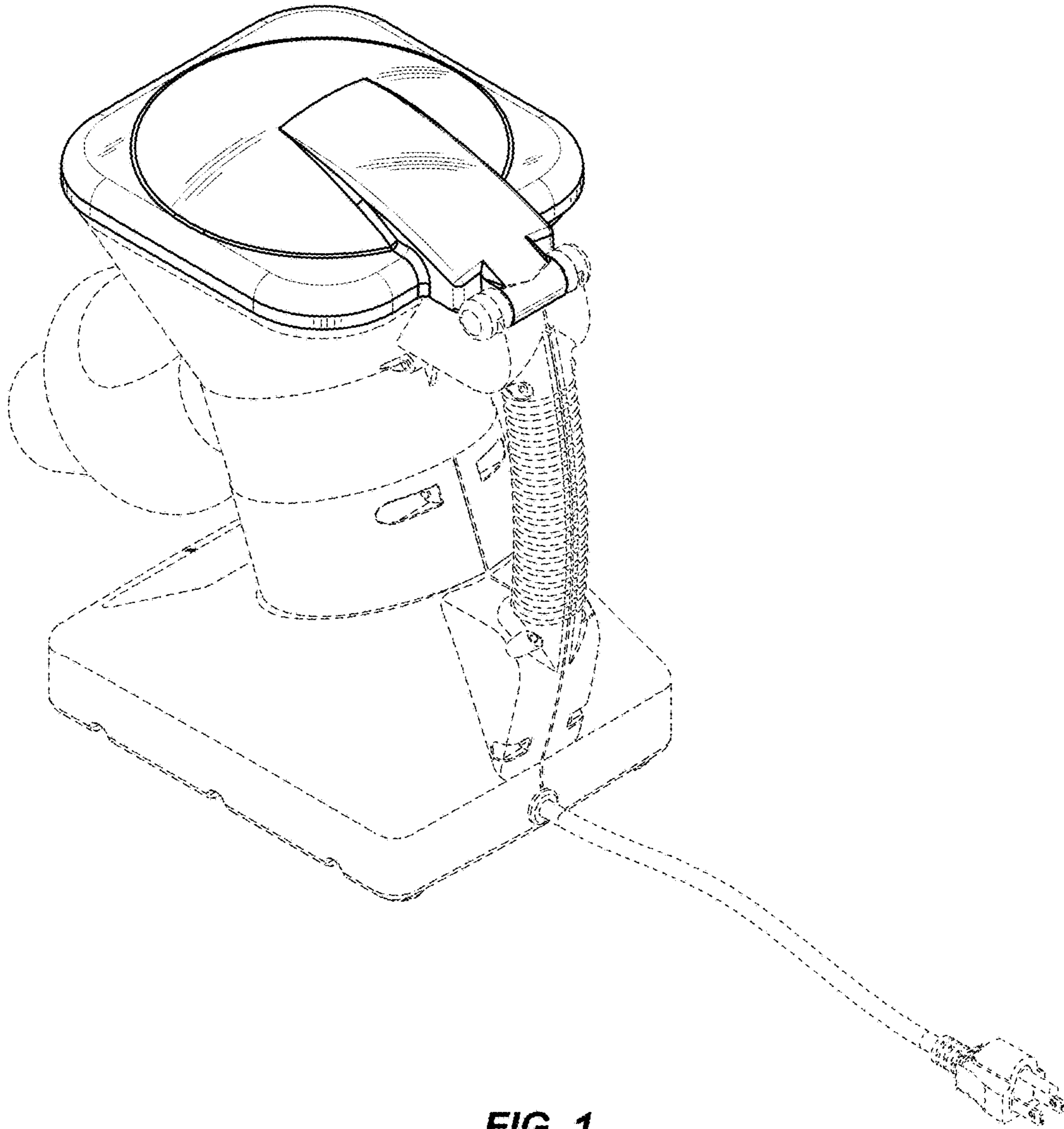
(56)

**References Cited**

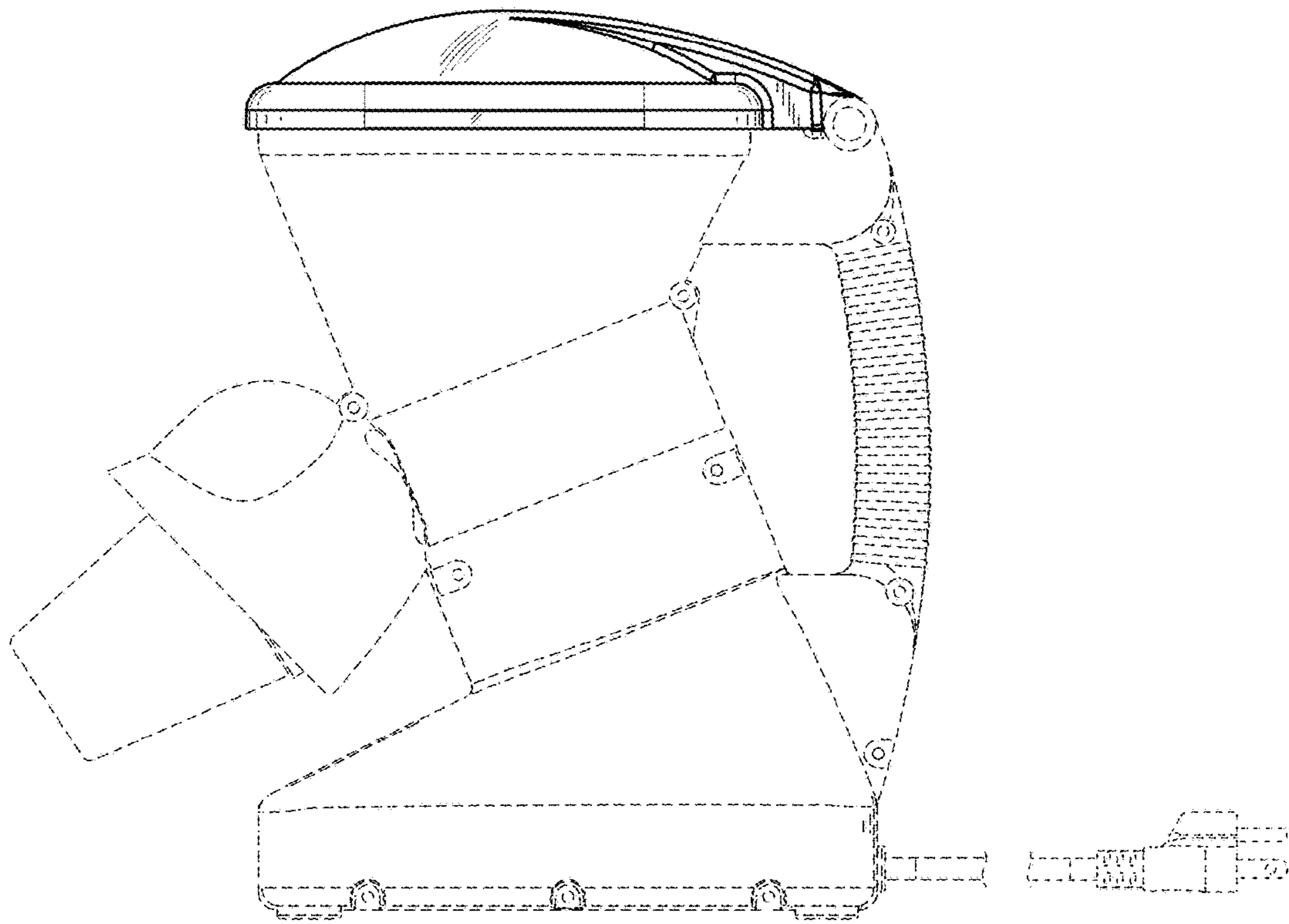
U.S. PATENT DOCUMENTS

2006/0186238 A1\* 8/2006 Swegle ..... A23G 9/045  
241/277

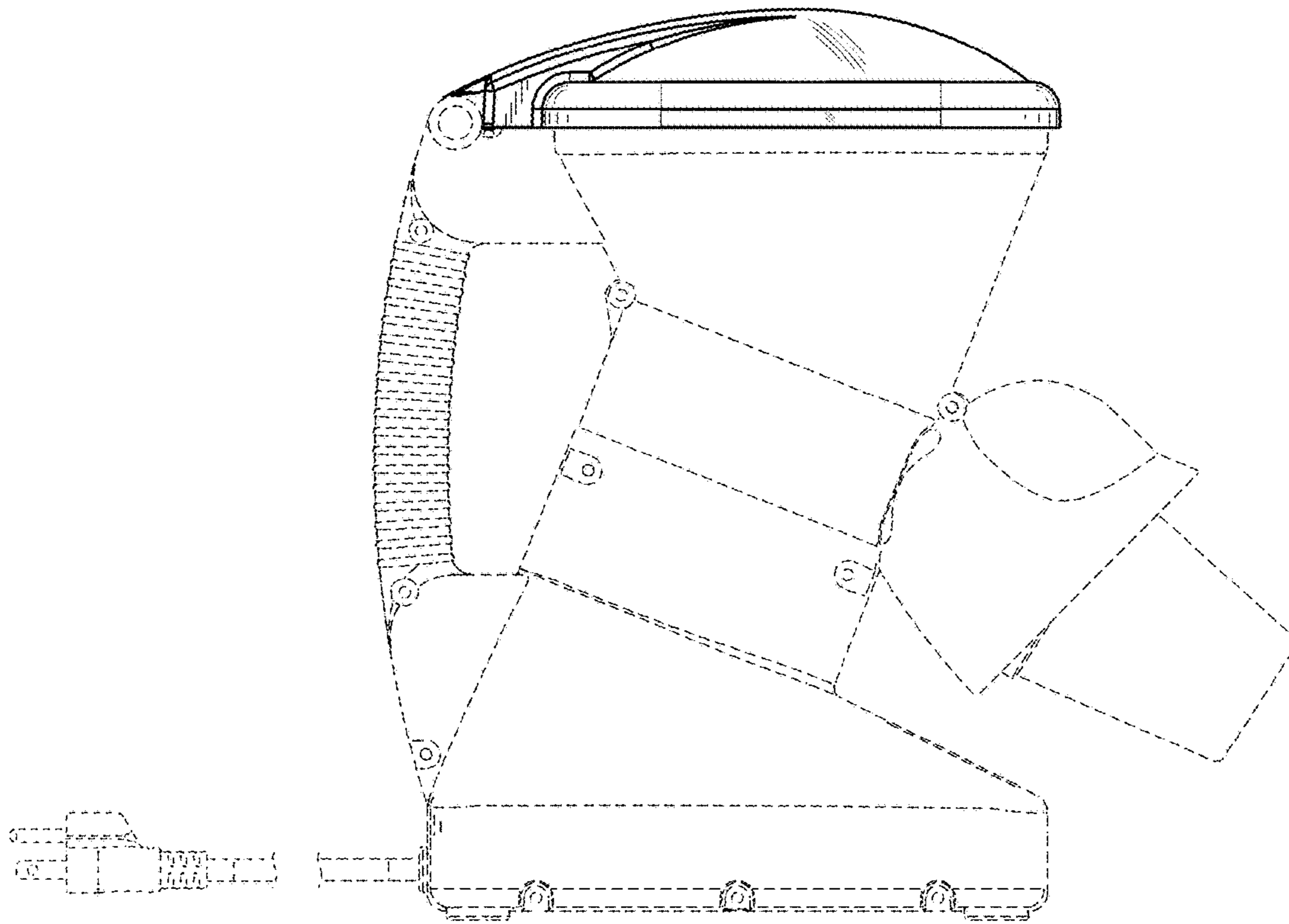
\* cited by examiner



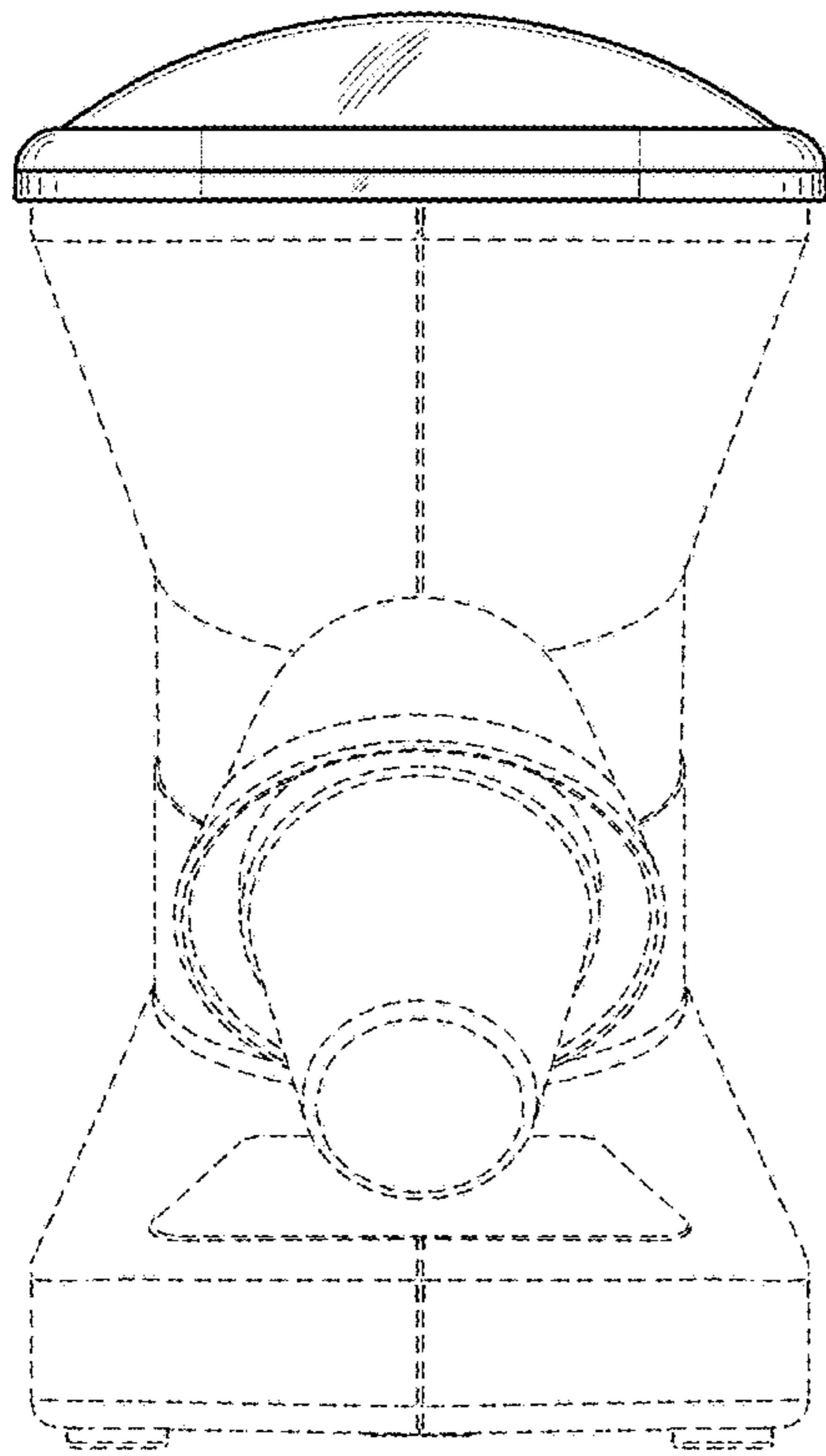
**FIG. 1**



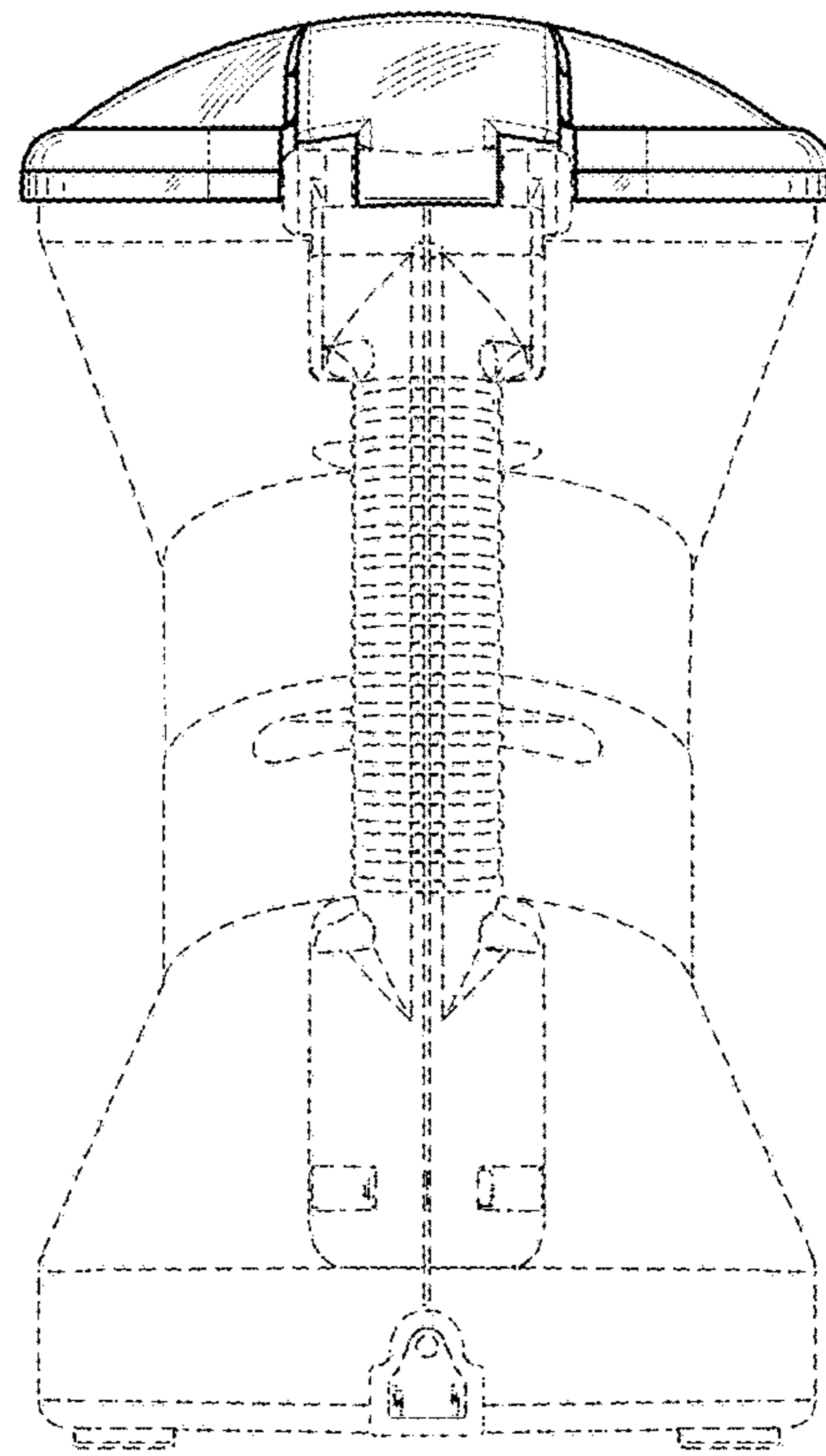
**FIG. 2**



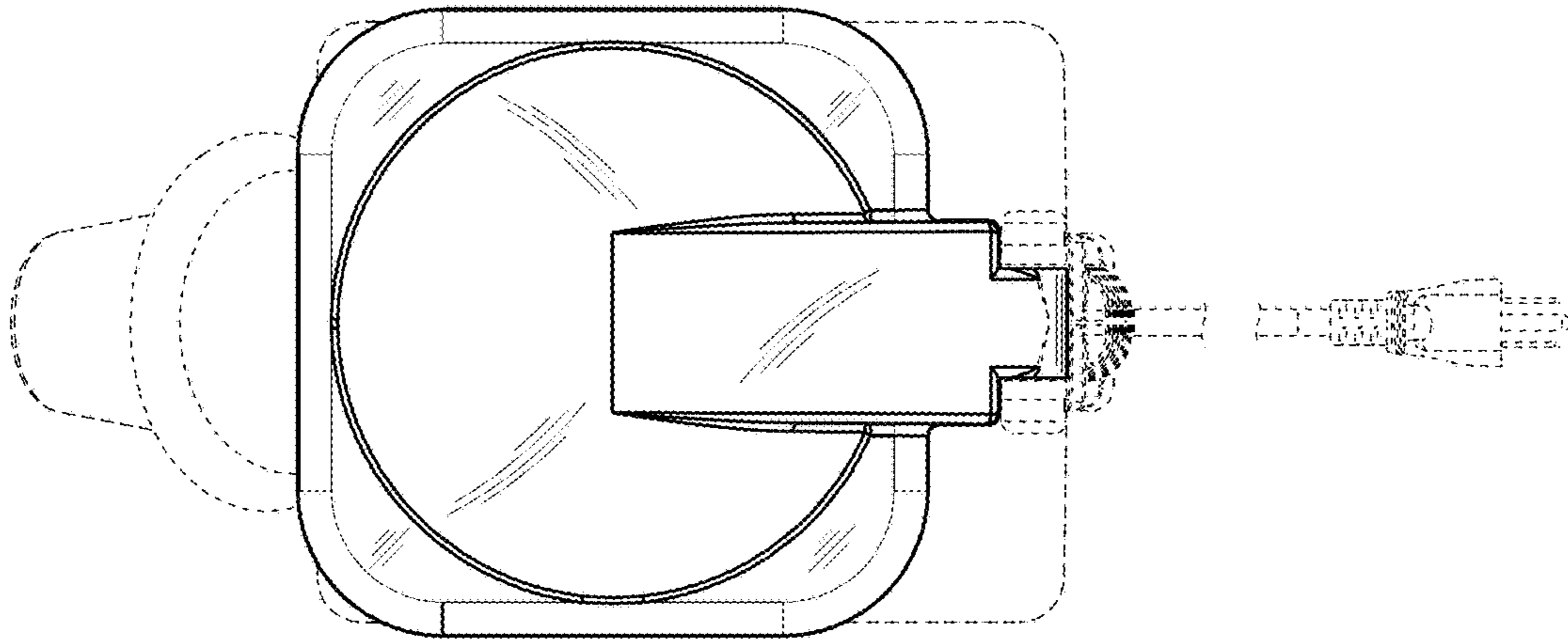
**FIG. 3**



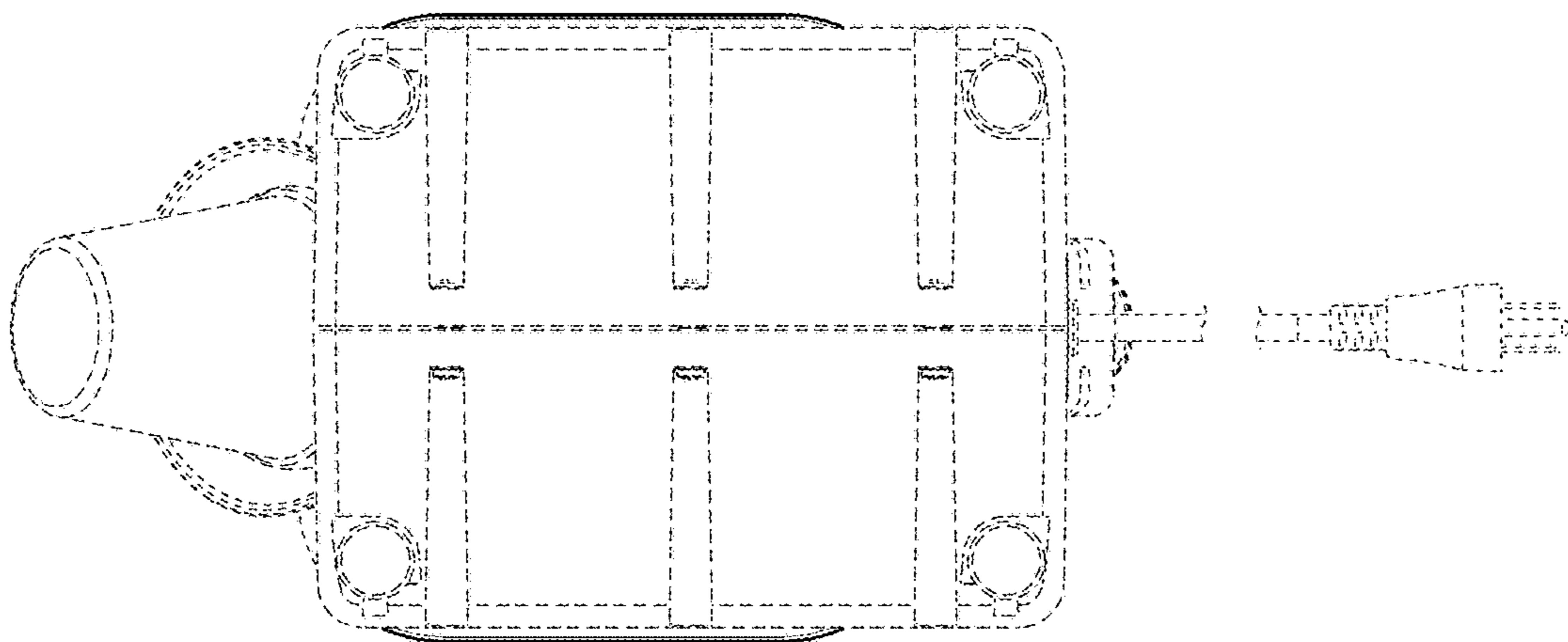
**FIG. 4**



**FIG. 5**



**FIG. 6**



**FIG. 7**