



US00D834879S

(12) **United States Design Patent**  
**Krivos et al.**

(10) **Patent No.:** **US D834,879 S**

(45) **Date of Patent:** **\*\* Dec. 4, 2018**

(54) **CONTAINER LID**

(71) Applicant: **VITA-MIX MANAGEMENT CORPORATION**, Olmsted Township, OH (US)

(72) Inventors: **Brenton Krivos**, Brunswick, OH (US); **Jack Warren Gee**, Willoughby, OH (US); **Phonesacksith Guy Kettavong**, Medina, OH (US)

(73) Assignee: **VITA-MIX MANAGEMENT CORPORATION**, Olmsted Township, OH (US)

(\*\*) Term: **15 Years**

(21) Appl. No.: **29/557,017**

(22) Filed: **Mar. 4, 2016**

(51) **LOC (11) Cl.** ..... **07-01**

(52) **U.S. Cl.**  
USPC ..... **D7/391**

(58) **Field of Classification Search**  
USPC ..... D3/272, 273, 274-276, 279, 282, 232, D3/302, 200, 201, 202, 203.1, 203.2, 270, D3/271.1, 304, 306, 309-315, 318, 319, D3/901, 903, 904; D7/300, 306, 325, D7/376, 381, 387, 392, 360, 392.1, 391, D7/393, 396.1, 396.2, 396.3, 396.4, 507, D7/509-511, 542, 546, 555, 558, 605, D7/608, 629, 665, 736, 738, 900, 321, D7/323, 354, 359, 412, 417, 500, 505, D7/509-511, 513, 533, 538-545, 549, D7/550.1, 552.1, 552.2, 553.1, 553.2, D7/553.4, 553.5, 553.6, 553.7, 554.1, D7/566, 568, 584, 586, 600.1, 601, 602, D7/607, 609, 610, 614, 615, 698, 703; D9/421, 429, 434-447, 449, 504, 780, D9/414, 424-432, 435, 438, 451-452, D9/415, 416, 418, 419, 420, 423, 425, D9/428-454, 457, 499, 500, 502-503,

D9/516, 517, 529, 549, 552.1, 557, 558, D9/561, 571, 630, 682, 686, 688, 690, D9/692, 703, 737, 738, 740, 741, 744, (Continued)

(56) **References Cited**

U.S. PATENT DOCUMENTS

3,460,711 A \* 8/1969 Al-Roy ..... B65D 21/0233  
206/519  
4,005,799 A \* 2/1977 Mannaerts ..... B65D 39/08  
220/288

(Continued)

OTHER PUBLICATIONS

Vitamix Blend Bowl Starter Kit: Announced Feb. 26, 2017 [online]. Site visited [Dec. 26, 2017]. Available from Internet URL: [https://www.vitamix.com/us/en\\_us/shop/blending-bowl-starter-kit](https://www.vitamix.com/us/en_us/shop/blending-bowl-starter-kit).\*

*Primary Examiner* — Jennifer Rivard

*Assistant Examiner* — Catherine S Posthauer

(74) *Attorney, Agent, or Firm* — McDonald Hopkins LLC

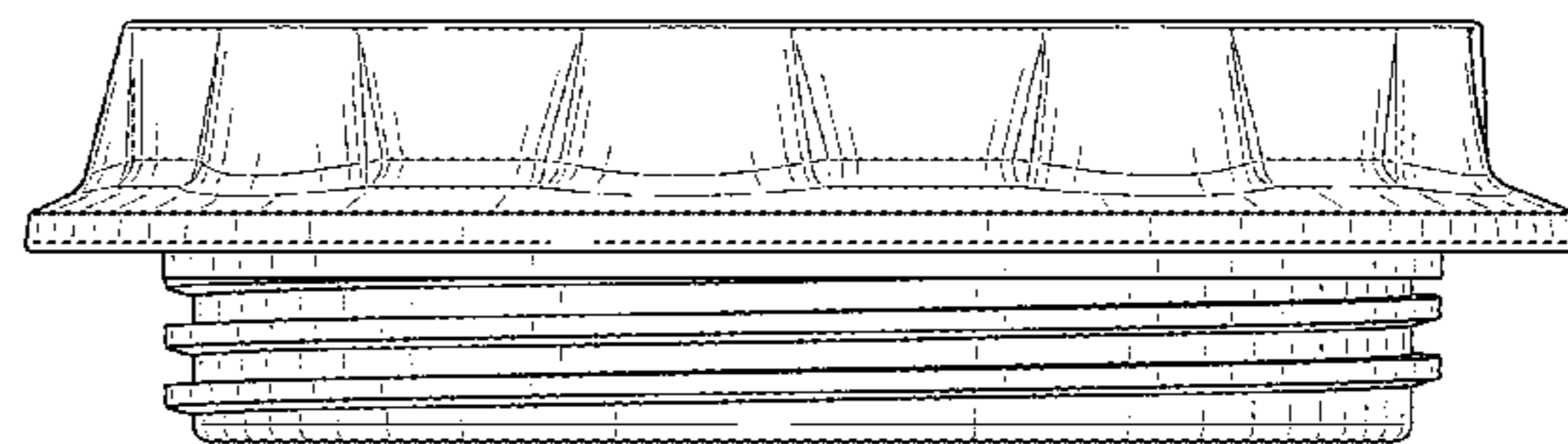
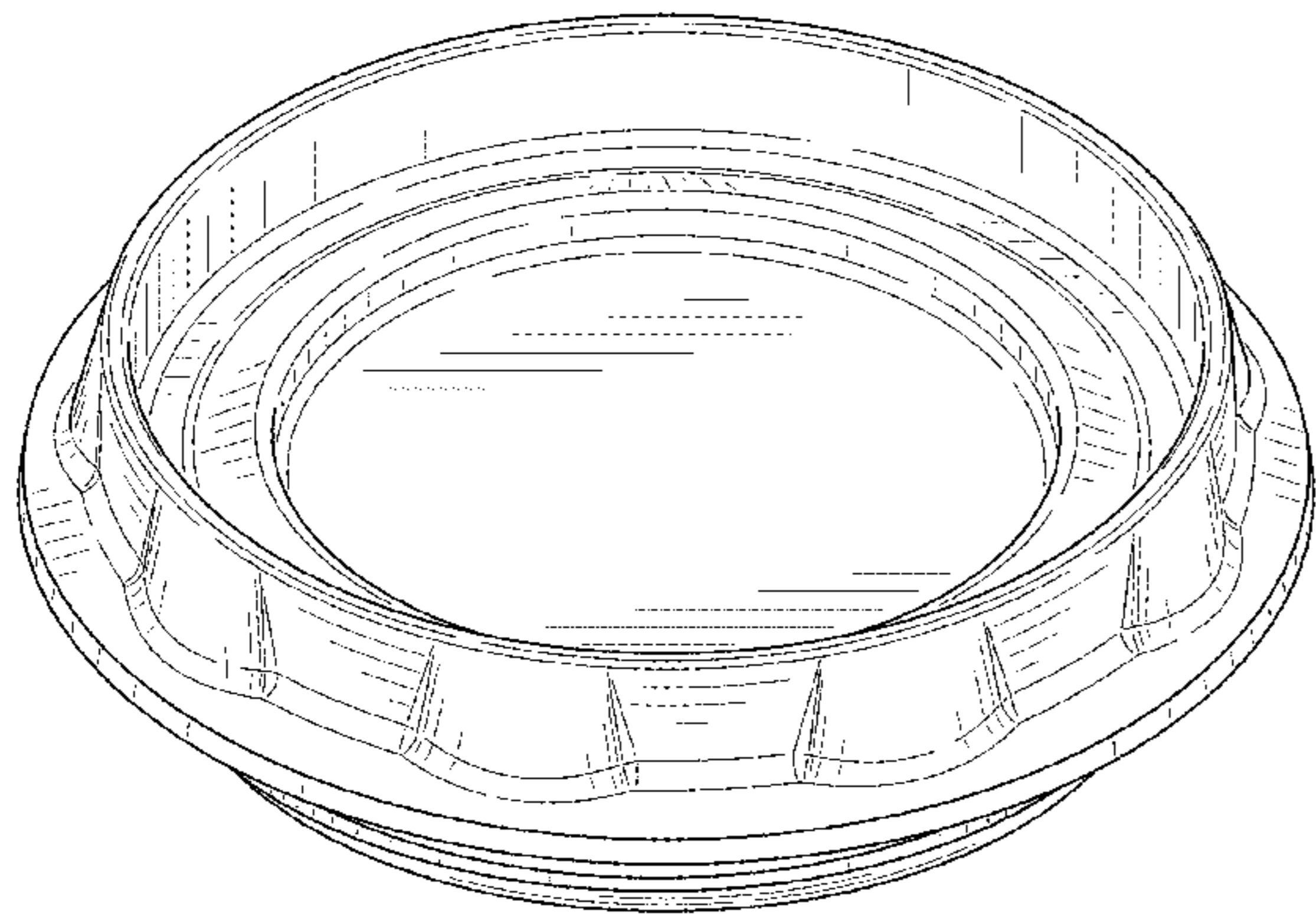
(57) **CLAIM**

The ornamental design for a container lid, as shown and described.

**DESCRIPTION**

FIG. 1 is a perspective view of a container lid showing our new design;  
FIG. 2 is a first side view thereof;  
FIG. 3 is a second side view thereof;  
FIG. 4 is a front view thereof;  
FIG. 5 is a rear view thereof;  
FIG. 6 is a top view thereof; and,  
FIG. 7 is a bottom view thereof.  
The broken lines are shown for the purpose of illustrating parts of the article that form no part of the claim.

**1 Claim, 4 Drawing Sheets**



(58) **Field of Classification Search**

USPC ..... D9/755-762, 904; D28/77, 61, 73, 76;  
 D30/129; D24/127, 216, 224; D34/7,  
 D34/10, 11  
 CPC .. A47J 41/00; A47J 36/06; A47J 36/10; A47J  
 27/04; A47J 45/062; A47J 37/1209; A47J  
 36/36; A47J 43/00; A47J 36/025; A47J  
 36/12; A47J 36/38; A47J 45/061; A47J  
 45/065; A47J 45/071; A47J 45/08; A47G  
 19/26; A47G 21/18; A47G 19/027; A47G  
 19/12; A47G 19/2211; A47G 19/2266;  
 A47G 19/2272; B65D 43/04; B65D  
 39/08; B65D 43/022; B65D 43/0212;  
 B65D 43/021; B65D 45/20; B65D  
 43/0218; B65D 1/00; B65D 1/02; B65D  
 1/0232; B65D 1/22; B65D 1/32; B65D  
 1/34; B65D 1/36; B65D 1/40; B65D  
 1/225; B65D 1/323; B65D 2543/00296;  
 B65D 39/10; B65D 39/16; B65D 1/243;  
 B65D 2501/24019; B65D 2501/24165;  
 B65D 2501/24152; B65D 11/02; B65D  
 11/18; B65D 85/30; B65D 85/32; B65D  
 81/262; B65D 41/02; B65D 41/26; B65D  
 41/56; B65D 41/62; B65D 47/06; B65D  
 47/08; B65D 47/0814; B65D 47/0866;  
 B65D 47/2031; B65D 51/249; B65D  
 2251/1066; B65D 45/025; B65D  
 2251/1075; F25D 3/08; H05K 5/0239;  
 A01K 5/0142; A01K 7/005; A45F 3/16;  
 B65B 1/04; A61J 1/1412

See application file for complete search history.

(56) **References Cited**

U.S. PATENT DOCUMENTS

4,076,123 A \* 2/1978 Davis ..... B65D 43/0212  
 206/503  
 4,275,815 A \* 6/1981 Davis ..... B65D 21/0219  
 206/508

4,863,058 A \* 9/1989 Antoni ..... B65D 43/0212  
 215/321  
 D381,267 S \* 7/1997 Rush ..... D9/452  
 D381,268 S \* 7/1997 Rush ..... D9/452  
 D419,371 S \* 1/2000 Haley ..... D7/392.1  
 6,230,924 B1 \* 5/2001 Weiss ..... B29C 51/32  
 220/366.1  
 D457,779 S \* 5/2002 Gullickson ..... D7/392.1  
 D480,915 S 10/2003 Kolar et al.  
 D482,283 S \* 11/2003 Wichmann ..... D9/454  
 D484,412 S \* 12/2003 Willis ..... D7/392.1  
 D485,179 S \* 1/2004 Kouri ..... D9/435  
 D495,255 S \* 8/2004 Lewis ..... D9/436  
 D516,426 S \* 3/2006 Golding ..... D9/452  
 D521,382 S \* 5/2006 Gross ..... D9/452  
 D587,526 S 3/2009 Barnard et al.  
 D588,406 S 3/2009 Ulanski et al.  
 D589,300 S \* 3/2009 Altiner ..... D7/392.1  
 D589,303 S \* 3/2009 Sarnoff ..... D7/568  
 D621,656 S 8/2010 Ulanski et al.  
 D662,359 S 6/2012 Boozer et al.  
 D673,851 S \* 1/2013 Yates ..... D9/452  
 D678,727 S 3/2013 Kolar et al.  
 8,529,120 B2 9/2013 Ulanski et al.  
 8,814,011 B2 8/2014 Ulanski et al.  
 D717,464 S \* 11/2014 Wainwright ..... D24/162  
 D784,072 S \* 4/2017 Baron ..... D7/392.1  
 D788,537 S \* 6/2017 Knutson ..... D7/570  
 2002/0030054 A1 \* 3/2002 Boulange ..... B65D 39/0023  
 220/265  
 2006/0070996 A1 \* 4/2006 Boyle ..... B29C 45/1676  
 220/254.7  
 2007/0267383 A1 \* 11/2007 McGeough ..... B65D 47/06  
 215/273  
 2011/0031152 A1 \* 2/2011 Petlak ..... B65D 1/34  
 206/503  
 2011/0266294 A1 \* 11/2011 Charbonnet ..... B65D 43/0208  
 220/711  
 2014/0374423 A1 \* 12/2014 Kui ..... B65D 43/0212  
 220/574.3  
 2015/0265983 A1 9/2015 Fleming et al.

\* cited by examiner

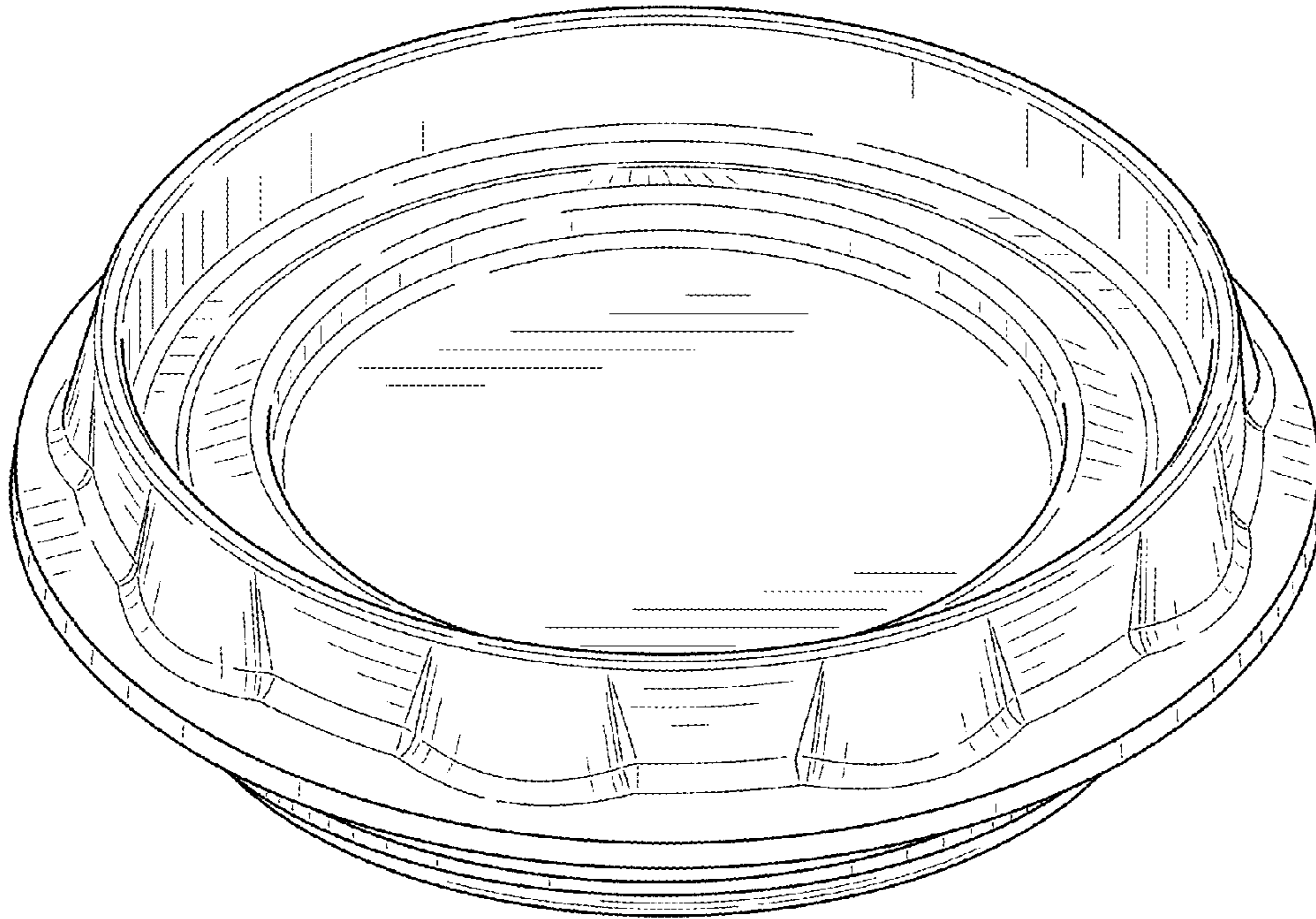


FIG. 1

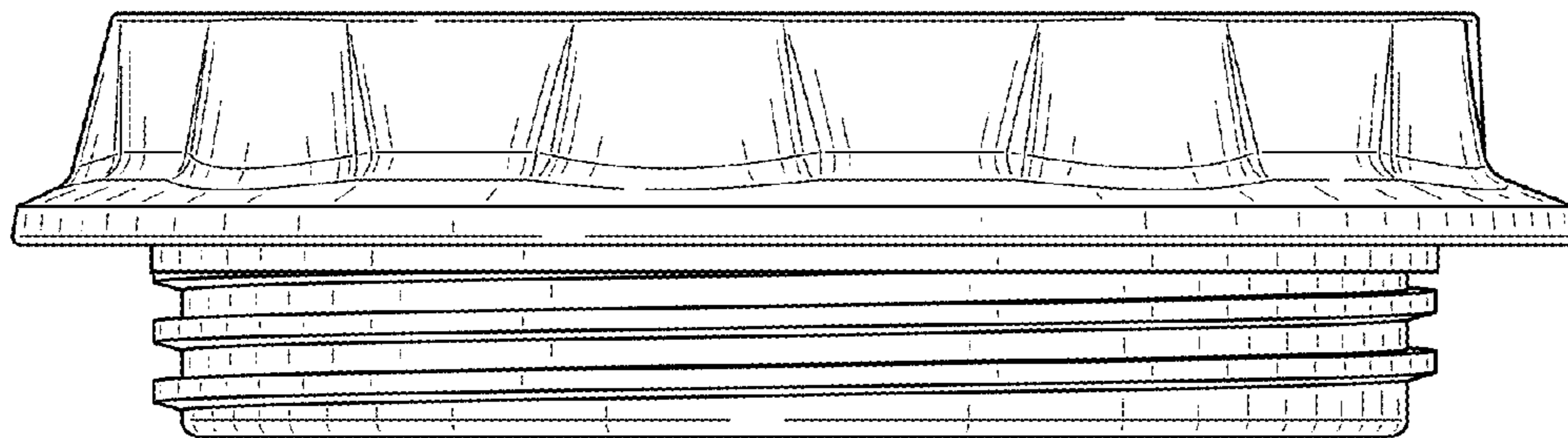


FIG. 2

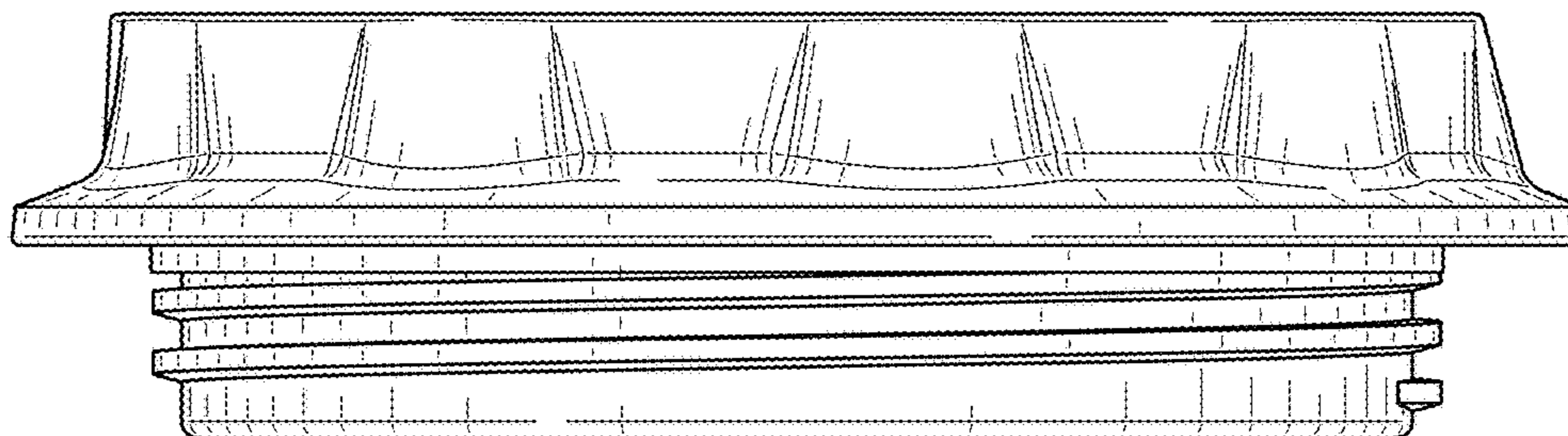


FIG. 3

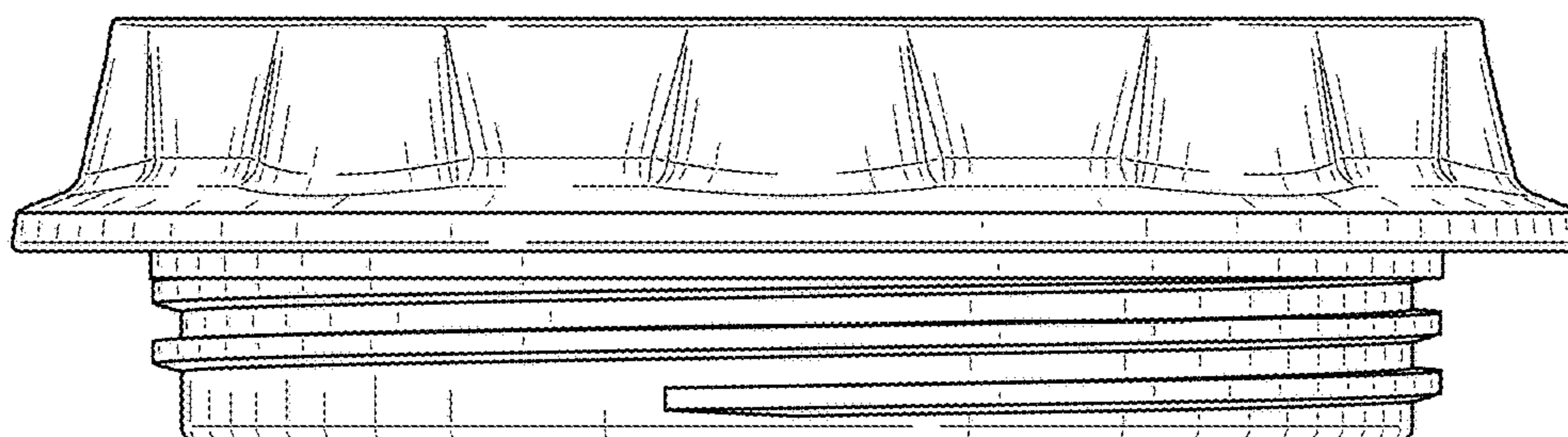


FIG. 4

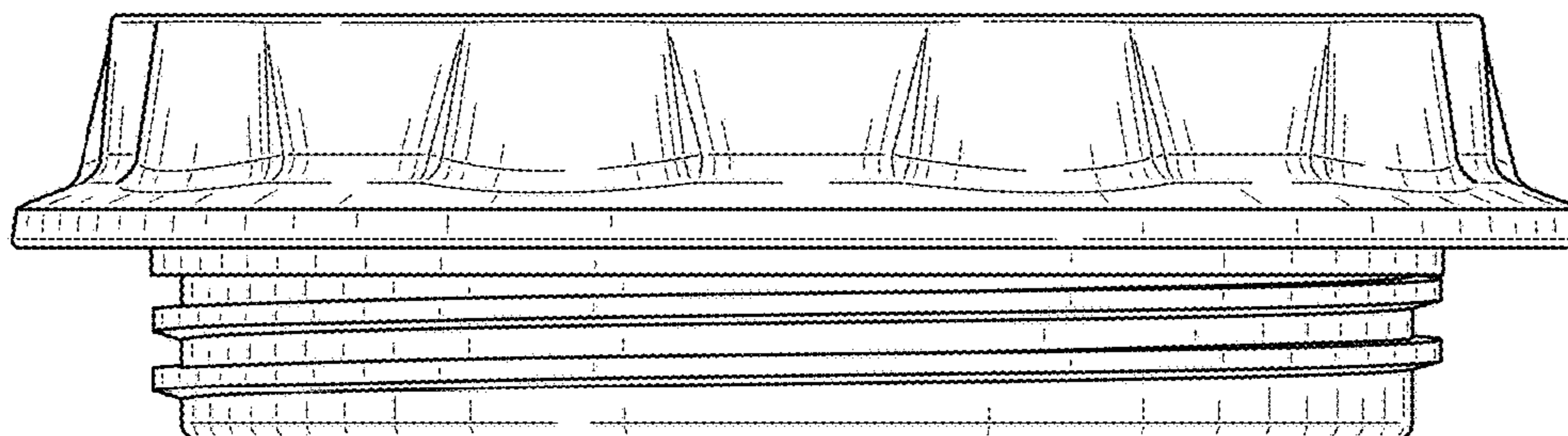


FIG. 5

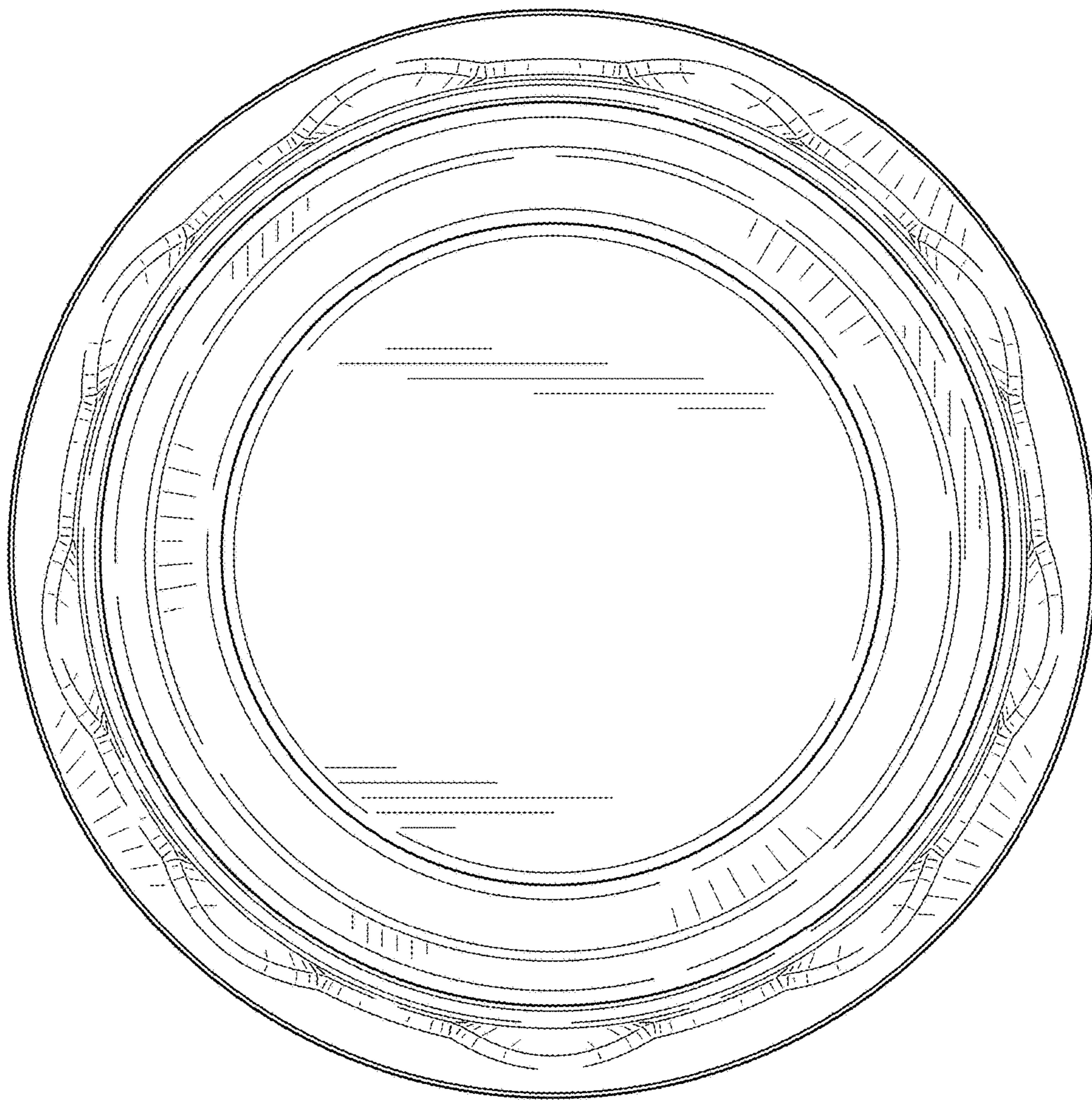


FIG. 6

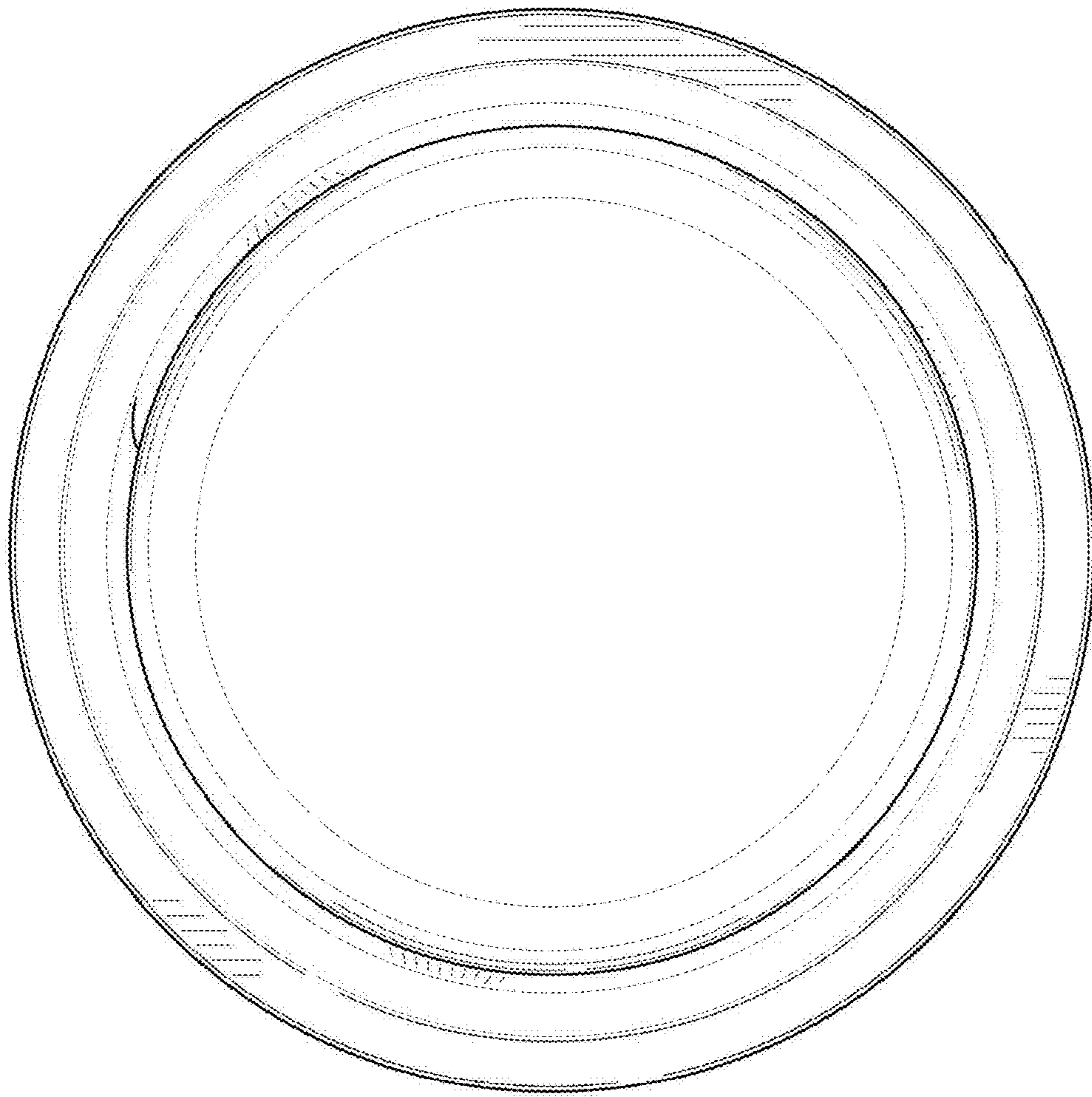


FIG. 7