



US00D834877S

(12) **United States Design Patent**  
**Rupp**

(10) **Patent No.:** **US D834,877 S**

(45) **Date of Patent:** **\*\* Dec. 4, 2018**

(54) **ICE SHAVER**

(71) Applicant: **Snowie LLC**, Salt Lake City, UT (US)

(72) Inventor: **Carl A. Rupp**, Salt Lake City, UT (US)

(73) Assignee: **Snowie LLC**, Salt Lake City, UT (US)

(\*\*) Term: **15 Years**

(21) Appl. No.: **29/583,128**

(22) Filed: **Nov. 2, 2016**

(51) **LOC (11) Cl.** ..... **15-07**

(52) **U.S. Cl.**  
USPC ..... **D7/374**

(58) **Field of Classification Search**  
USPC ..... D7/316-318, 368, 372-386, 391,  
D7/412-415, 515, 665, 679; D15/79-91  
CPC .. F25C 5/002; F25C 5/005; F25C 5/12; F25C  
1/04; F25C 2500/02; F25C 2500/08;  
F25C 2700/02; F25C 5/02; F25C 5/046;  
F25C 5/187

See application file for complete search history.

(56) **References Cited**

**U.S. PATENT DOCUMENTS**

D304,897 S \* 12/1989 Lin ..... D7/374  
D416,435 S \* 11/1999 Lin ..... D7/374

D463,204 S \* 9/2002 Wade ..... D7/374  
D463,951 S \* 10/2002 Wade ..... D7/374  
D529,336 S \* 10/2006 Katz ..... D7/414  
D655,974 S \* 3/2012 Lee ..... D7/374  
D671,568 S \* 11/2012 Pelayo ..... D15/82  
D726,232 S \* 4/2015 Cappelli ..... D15/82

\* cited by examiner

*Primary Examiner* — Ian Simmons

*Assistant Examiner* — Khawaja Anwar

(74) *Attorney, Agent, or Firm* — Terrence J. Edwards;  
TechLaw Ventures, PLLC

(57) **CLAIM**

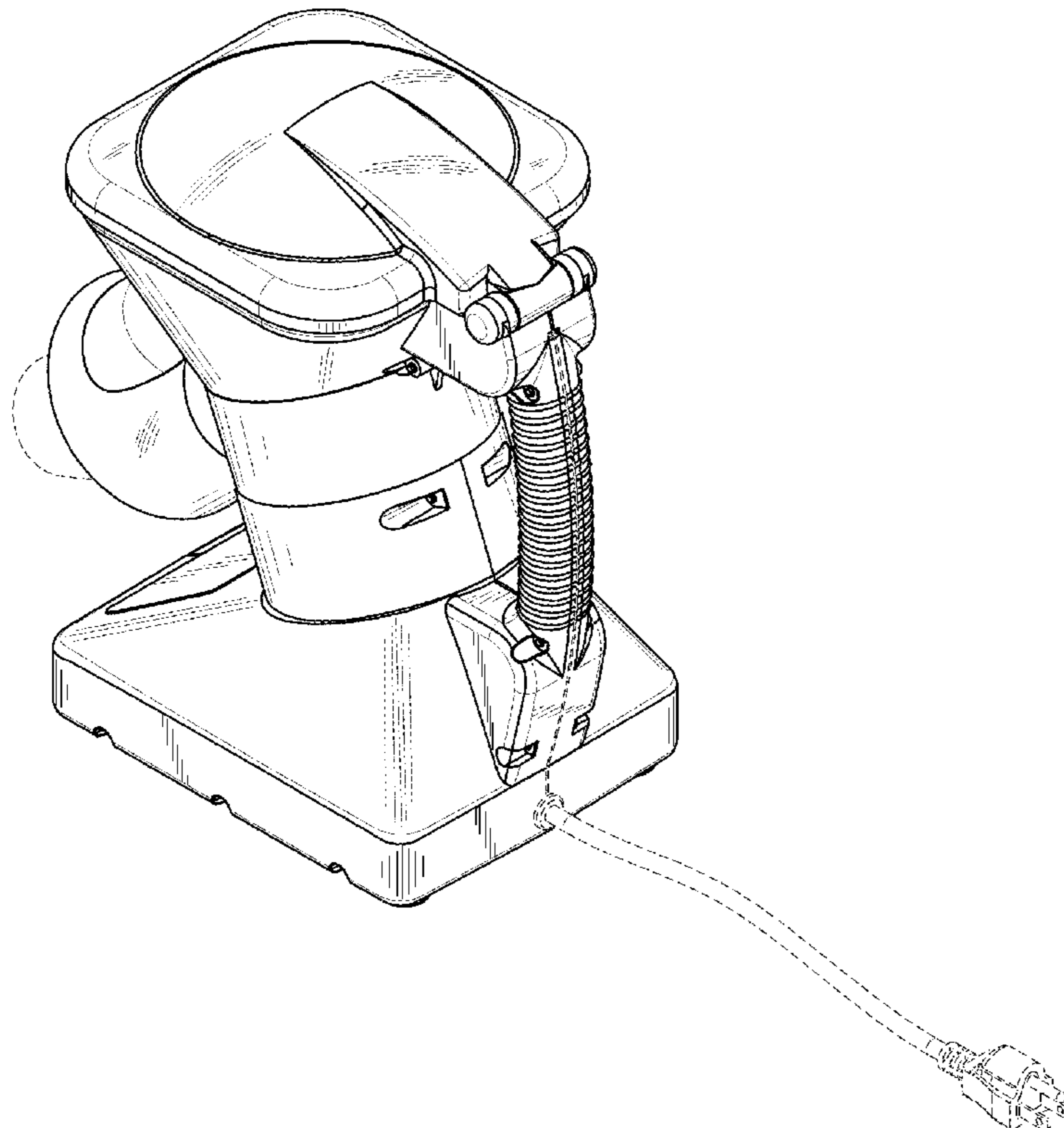
I claim the ornamental design for a ice shaver, as shown and described.

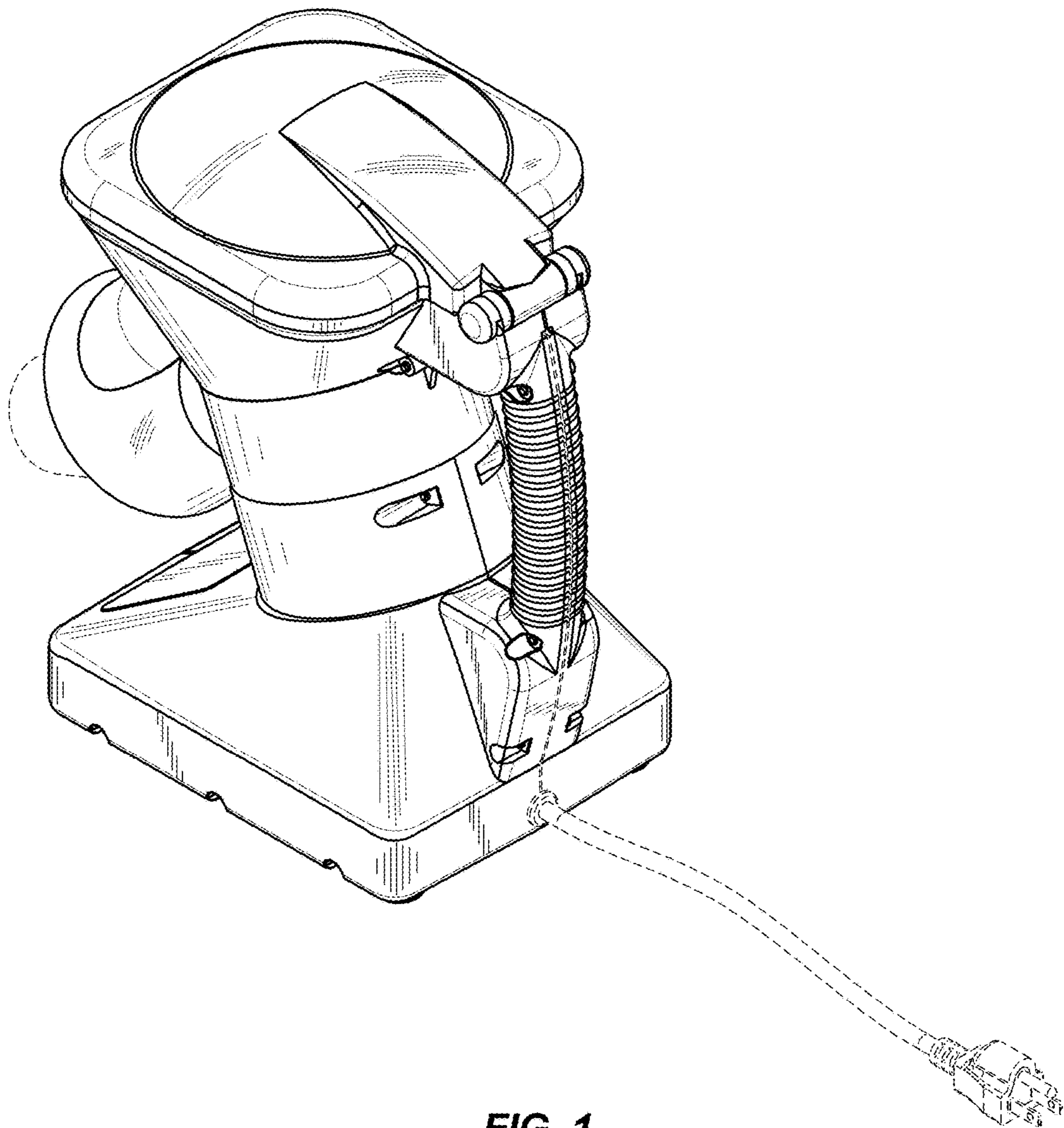
**DESCRIPTION**

FIG. 1 is a perspective view thereof;  
FIG. 2 is a top view thereof;  
FIG. 3 is a bottom view thereof;  
FIG. 4 is a side view thereof;  
FIG. 5 is a side view thereof;  
FIG. 6 is a front view thereof; and,  
FIG. 7 is a rear view thereof.

The broken lines shown in the drawings represent unclaimed portions of the ice shaver and form no part of the claimed design; the breakaway lines shown in FIGS. 2, 3, 6 & 7 are present for the purpose of ease of illustration.

**1 Claim, 5 Drawing Sheets**





**FIG. 1**

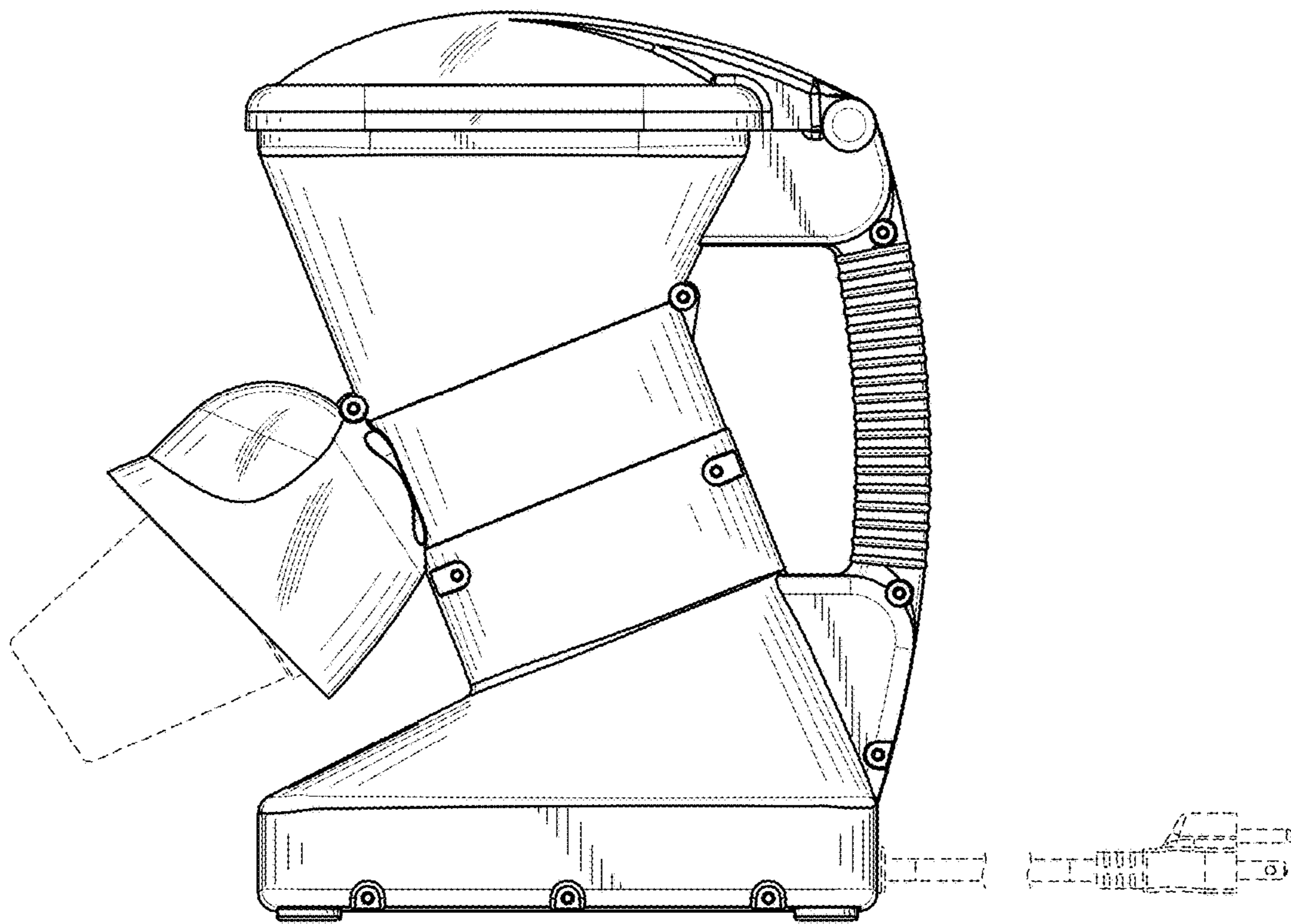


FIG. 2

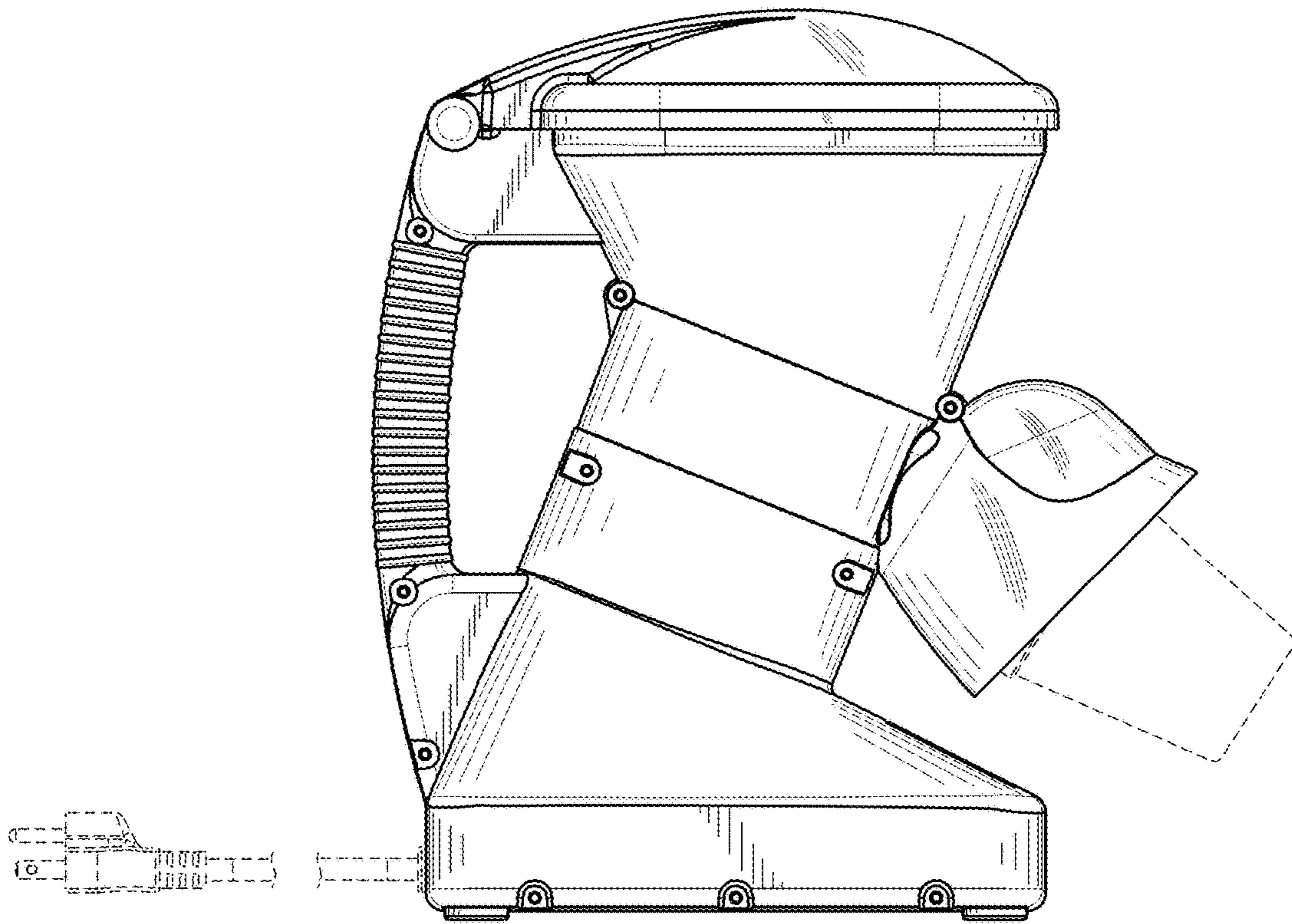
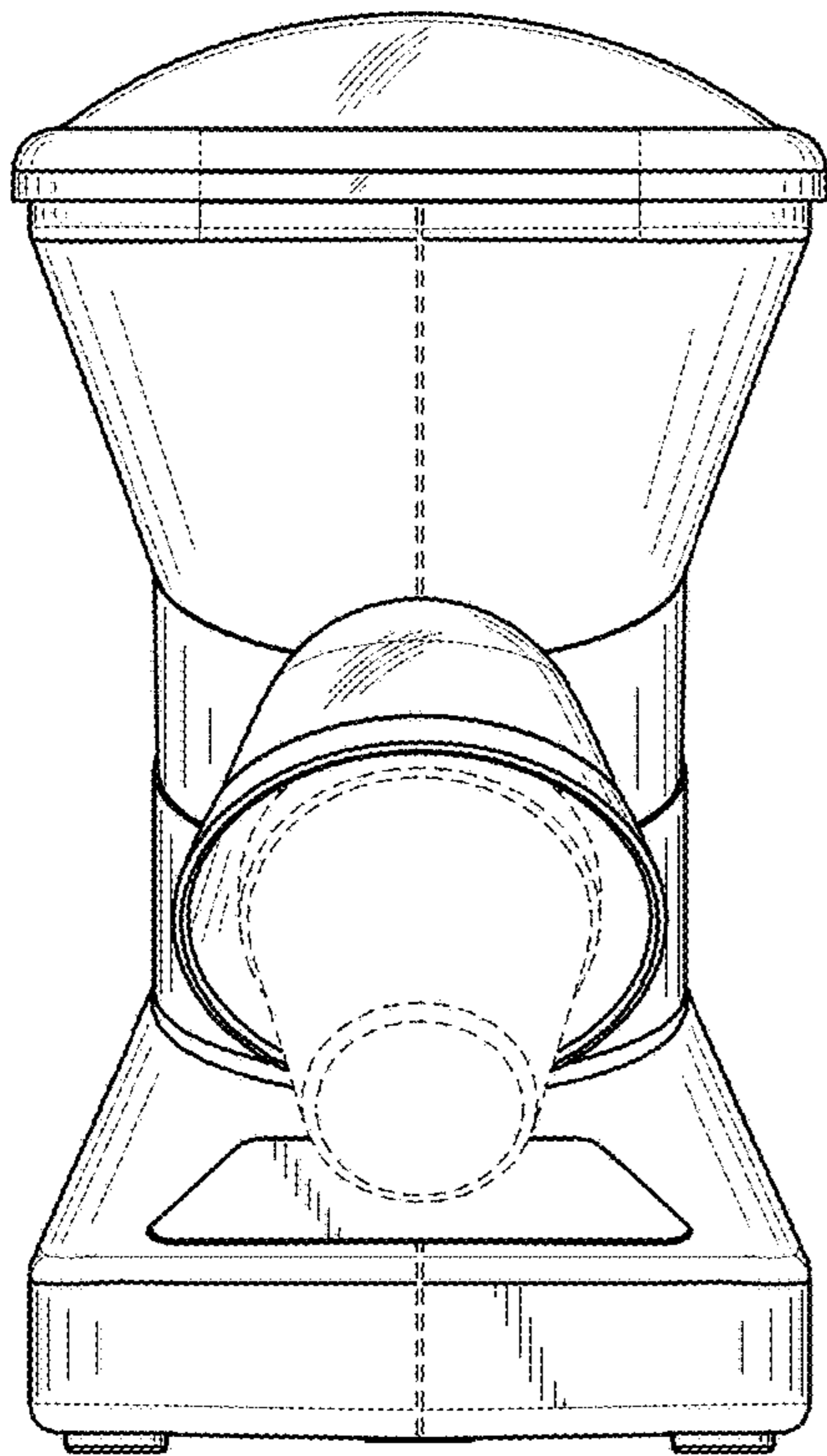
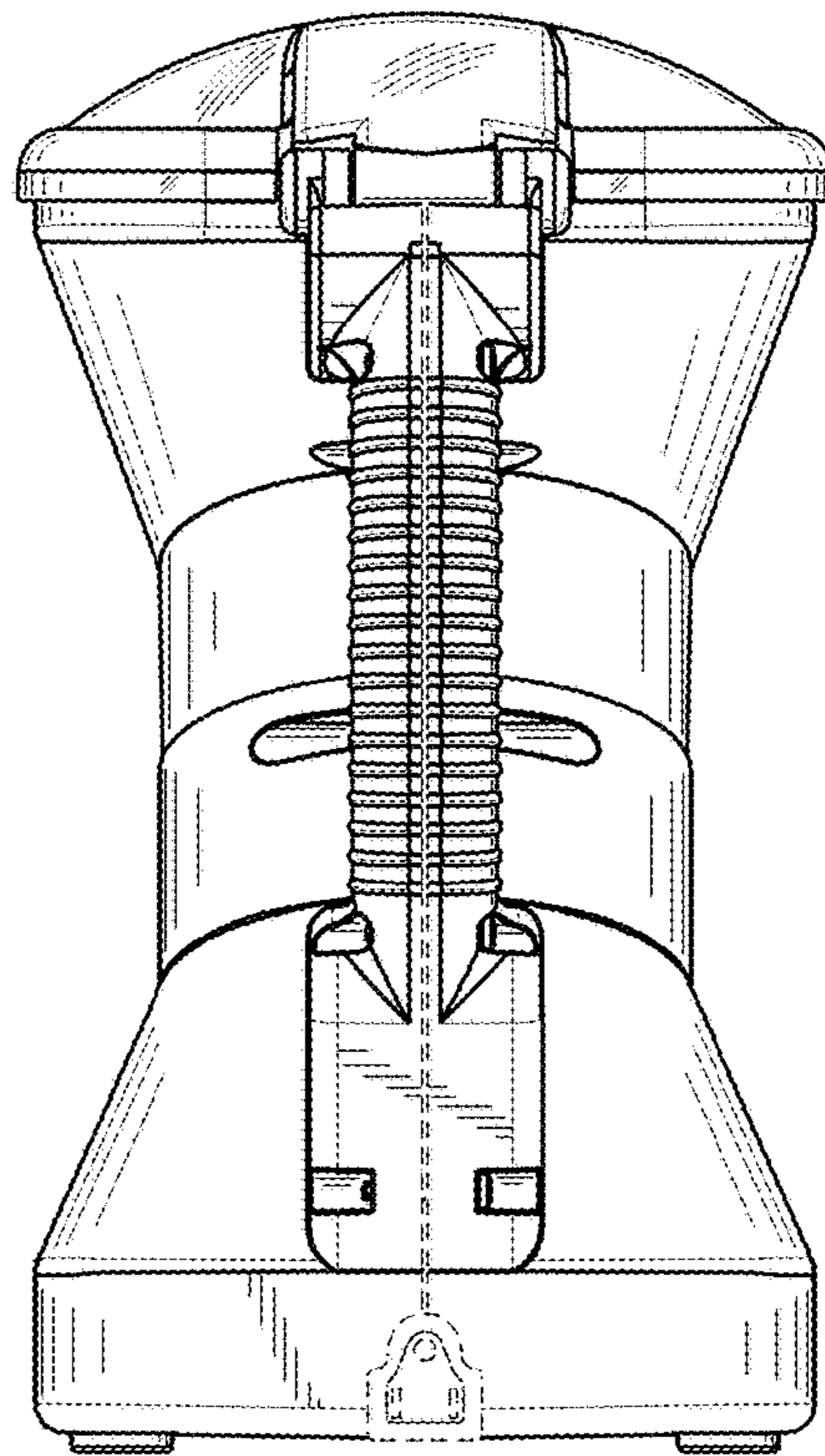


FIG. 3



**FIG. 4**



**FIG. 5**

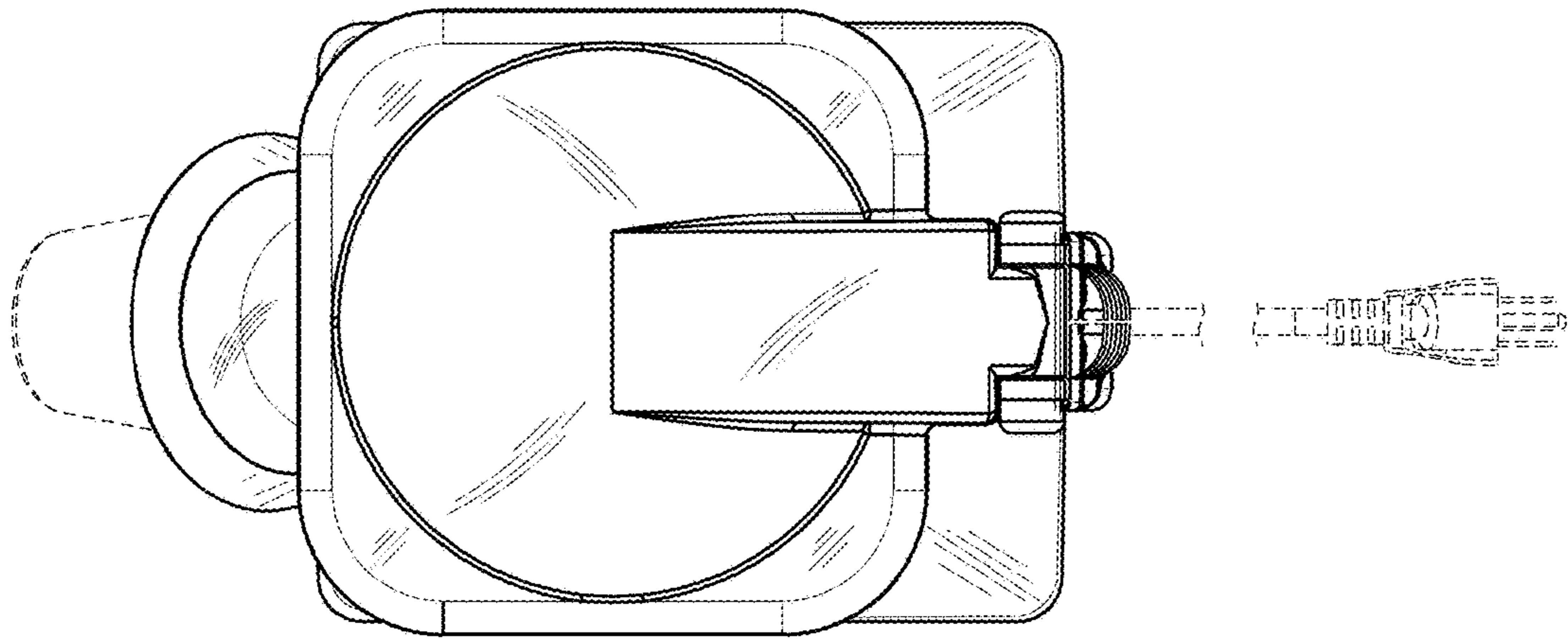


FIG. 6

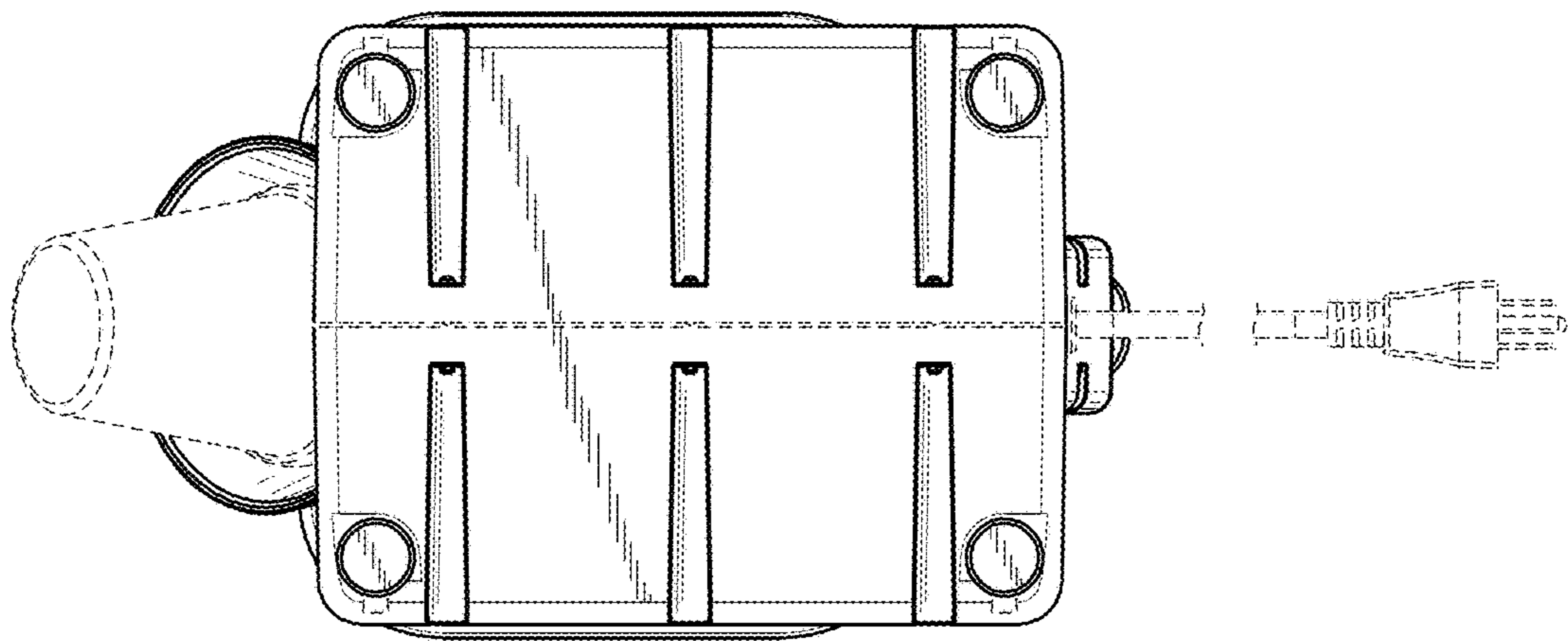


FIG. 7