



US00D834876S

(12) **United States Design Patent**
Ma

(10) **Patent No.:** **US D834,876 S**
(45) **Date of Patent:** **** Dec. 4, 2018**

(54) **TWO-PIECE FRYPAN**

(71) Applicant: **Shenzhen Seefaa Scitech Co., Ltd.**,
Shenzhen (CN)

(72) Inventor: **Zhigang Ma**, Northville, MI (US)

(73) Assignee: **SHENZHEN SEEFAA SCITECH CO., LTD.**, Shenzhen (CN)

(**) Term: **15 Years**

(21) Appl. No.: **29/628,228**

(22) Filed: **Dec. 3, 2017**

(30) **Foreign Application Priority Data**

Sep. 20, 2017 (CN) 2017 3 0446493

(51) **LOC (11) Cl.** **07-02**

(52) **U.S. Cl.**
USPC **D7/361**

(58) **Field of Classification Search**
USPC D7/323, 332, 337, 352-367, 402, 409,
D7/643, 644, 645, 538, 602

(Continued)

(56) **References Cited**

U.S. PATENT DOCUMENTS

831,746 A * 9/1906 Rundell A47J 27/04
126/369
1,505,703 A * 8/1924 Darley A47J 27/002
126/376.1

(Continued)

Primary Examiner — George D. Kirschbaum

Assistant Examiner — Messina L Smith

(74) *Attorney, Agent, or Firm* — Hemisphere Law, PLLC

(57) **CLAIM**

The ornamental design for a two-piece frypan, as shown and described.

DESCRIPTION

FIG. 1 is a perspective view of a first embodiment of a two-piece frypan, showing the new design;

FIG. 2 is a front elevational view of the two-piece frypan of FIG. 1, a rear, a right and a left elevational views thereof are a mirror view of the front view, and thus omitted;

FIG. 3 is a top plan view of the for two-piece frypan of FIG. 1;

FIG. 4 is a bottom plan view of the two-piece frypan of FIG. 1;

FIG. 5 is a cross-section view of the two-piece frypan of FIG. 1 along an imaginary line V-V, showing contours thereof;

FIG. 6 is a perspective view of the two-piece frypan of FIG. 1, wherein the two pieces thereof are separated from each other;

FIG. 7 is another perspective view of the for two-piece frypan of FIG. 1, wherein handles are attached;

FIG. 8 is a perspective view of a second embodiment of a two-piece frypan, showing the new design;

FIG. 9 is a front elevational view of the two-piece frypan of FIG. 8, a rear, a right and a left elevational views thereof are a mirror view of the front view, and thus omitted;

FIG. 10 is a top plan view of the for two-piece frypan of FIG. 8;

FIG. 11 is a bottom plan view of the two-piece frypan of FIG. 8;

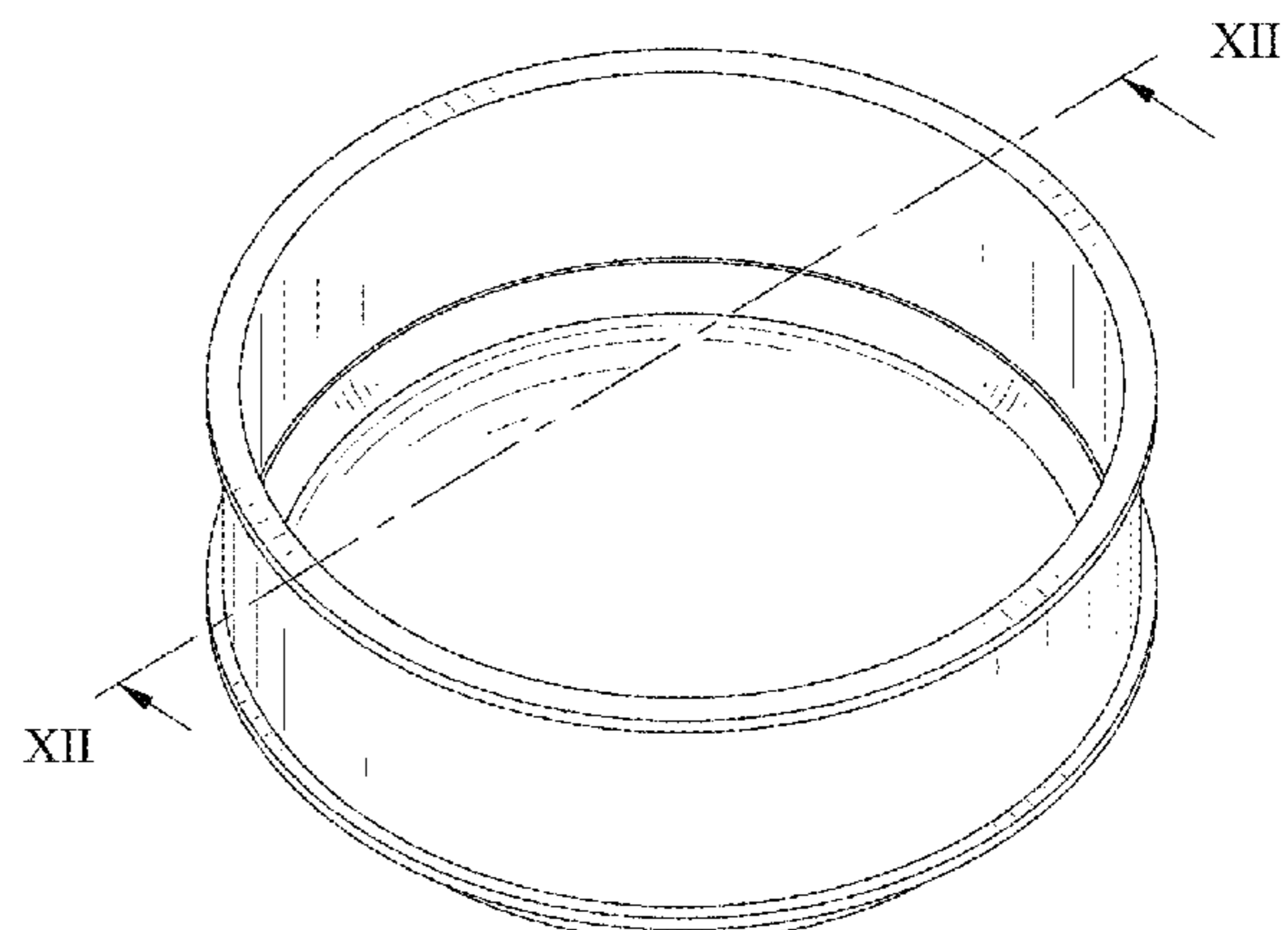
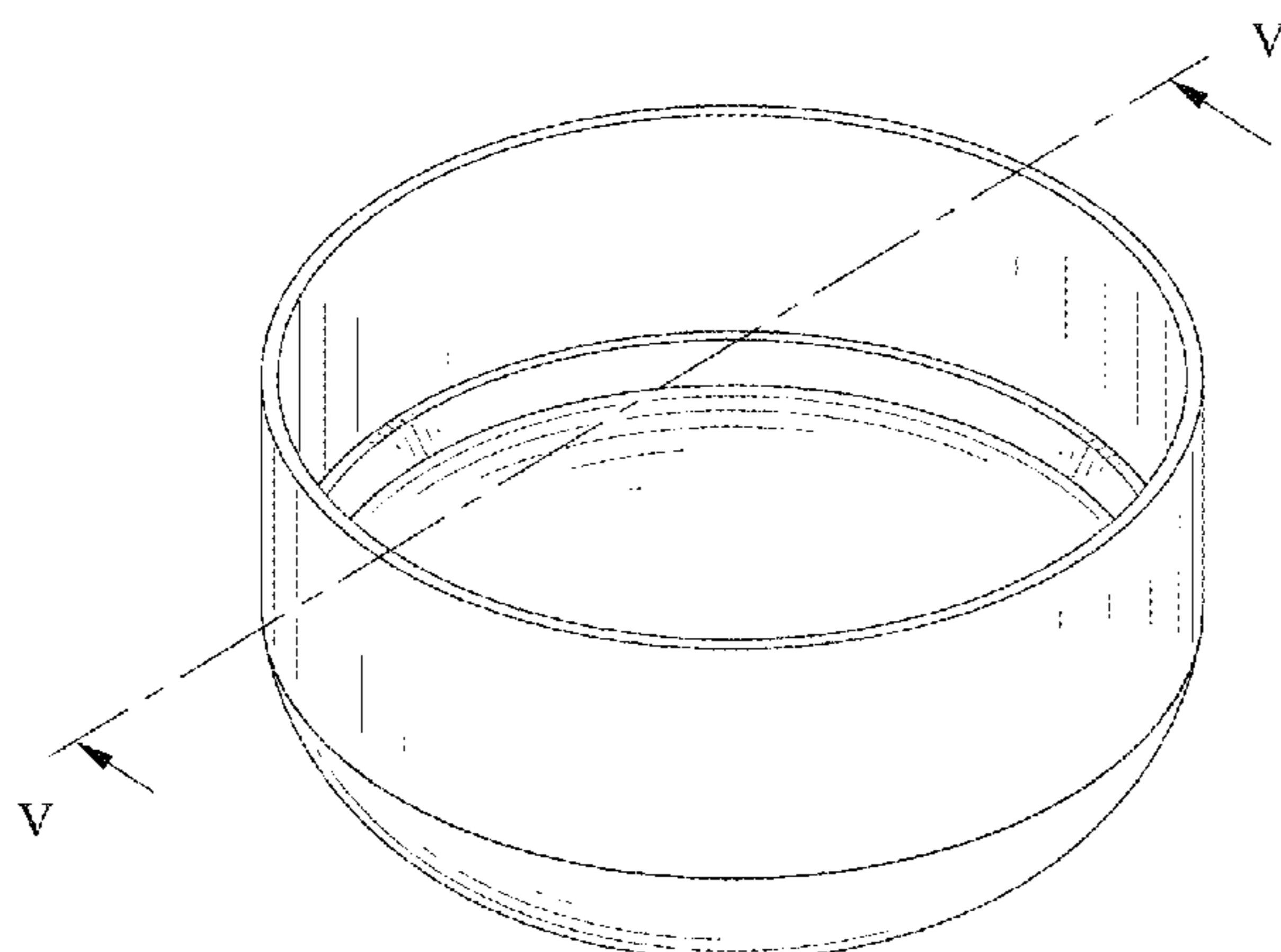
FIG. 12 is a cross-section view of the two-piece frypan of FIG. 8 along an imaginary line XII-XII, showing contours thereof;

FIG. 13 is a perspective view of the two-piece frypan of FIG. 8, wherein the two pieces thereof are separated from each other; and,

FIG. 14 is another perspective view of the for two-piece frypan of FIG. 8, wherein handles are attached.

The broken lines in the drawings depict portions of the two-piece frypan that form no part of the claimed design.

1 Claim, 8 Drawing Sheets



(58) **Field of Classification Search**

CPC A47G 19/12; A47G 19/127; A47G
2019/122; A47G 2019/125; A47J 27/00;
A47J 27/002; A47J 27/004; A47J 27/006;
A47J 27/02; A47J 27/022; A47J 27/04;
A47J 27/024; A47J 27/043; A47J 27/05;
A47J 27/14; A47J 27/21008; A47J 36/06;
A47J 36/025; A47J 36/08; A47J 37/10

See application file for complete search history.

(56) **References Cited**

U.S. PATENT DOCUMENTS

D212,820 S * 11/1968 Benes D7/356
D256,205 S * 8/1980 Bateman D7/584
D293,872 S * 1/1988 Wang D7/354
5,537,917 A * 7/1996 Schiffer A21B 3/13
249/DIG. 1
D429,150 S * 8/2000 Lindsay D7/602
6,305,272 B1 * 10/2001 Lin A47J 27/002
126/369
D639,109 S * 6/2011 Molayem D7/354
D646,925 S * 10/2011 Okajima D7/354
D677,124 S * 3/2013 Montgomery D7/360
D820,027 S * 6/2018 Weernink D7/354
D822,424 S * 7/2018 Ma D7/356
D822,433 S * 7/2018 Ma D7/402
D822,434 S * 7/2018 Ma D7/402
2009/0260525 A1 * 10/2009 Jordan A21B 3/13
99/422
2017/0156536 A1 * 6/2017 Gong B65D 51/16

* cited by examiner

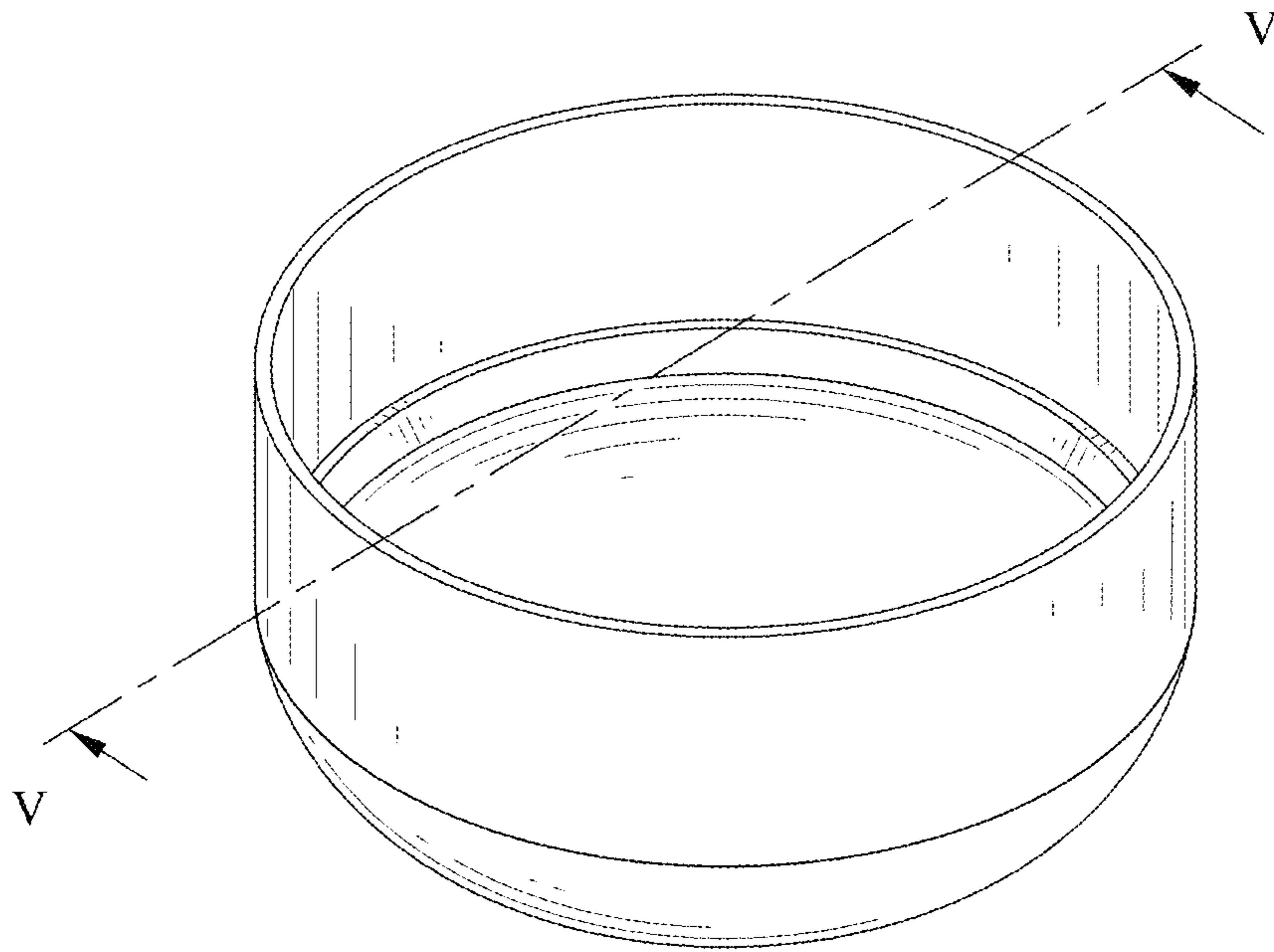


FIG. 1



FIG. 2

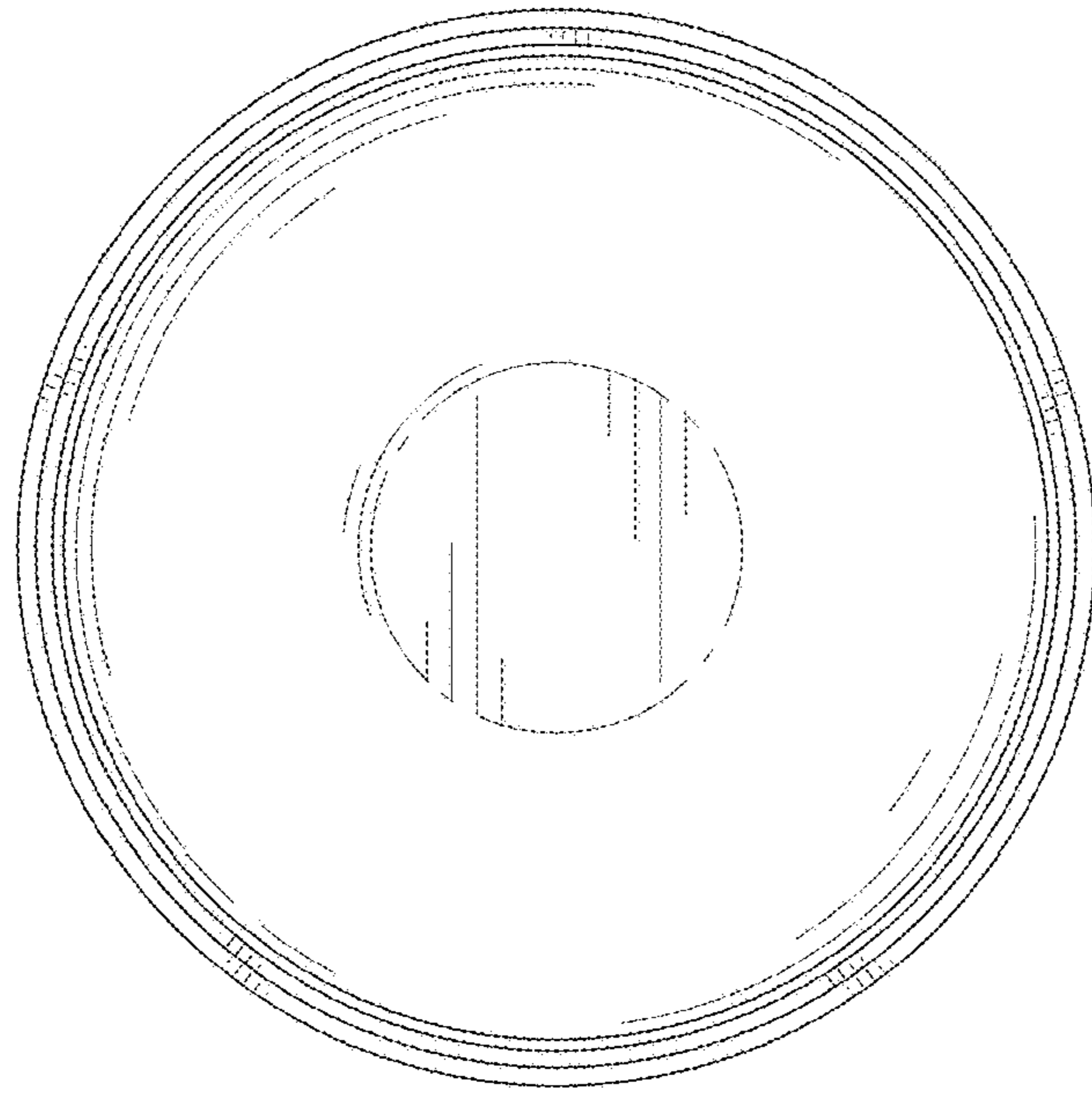


FIG. 3

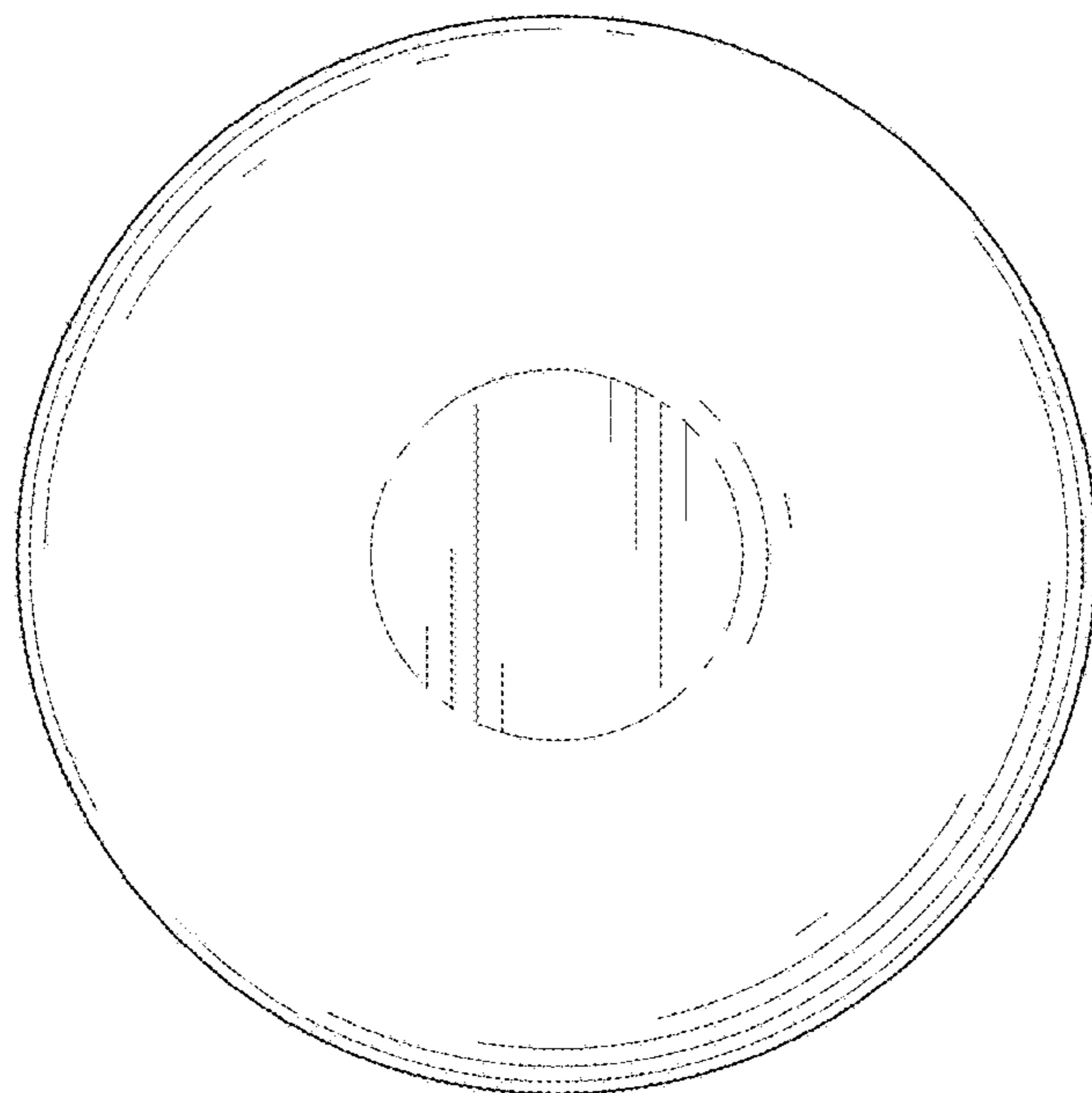


FIG. 4

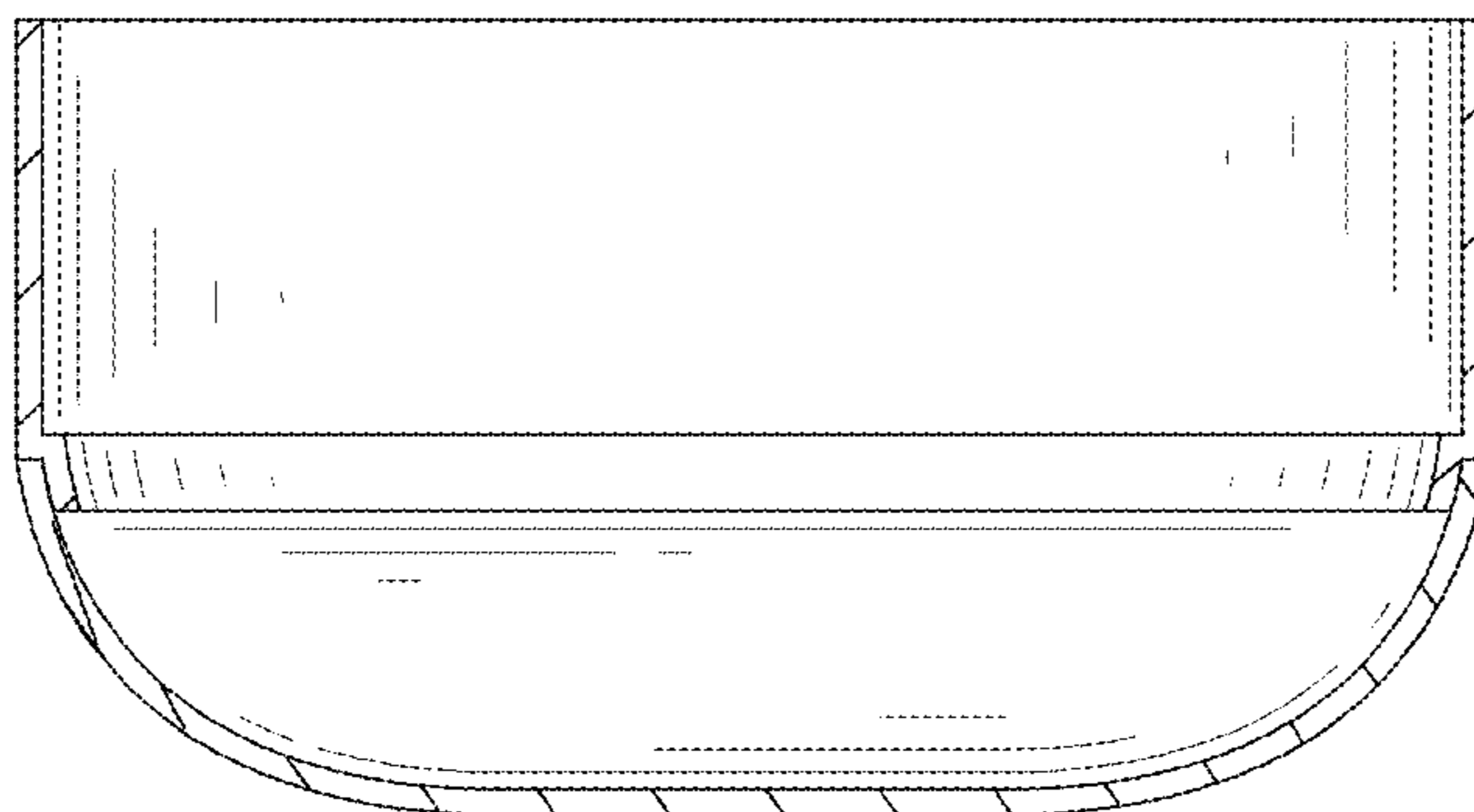


FIG. 5

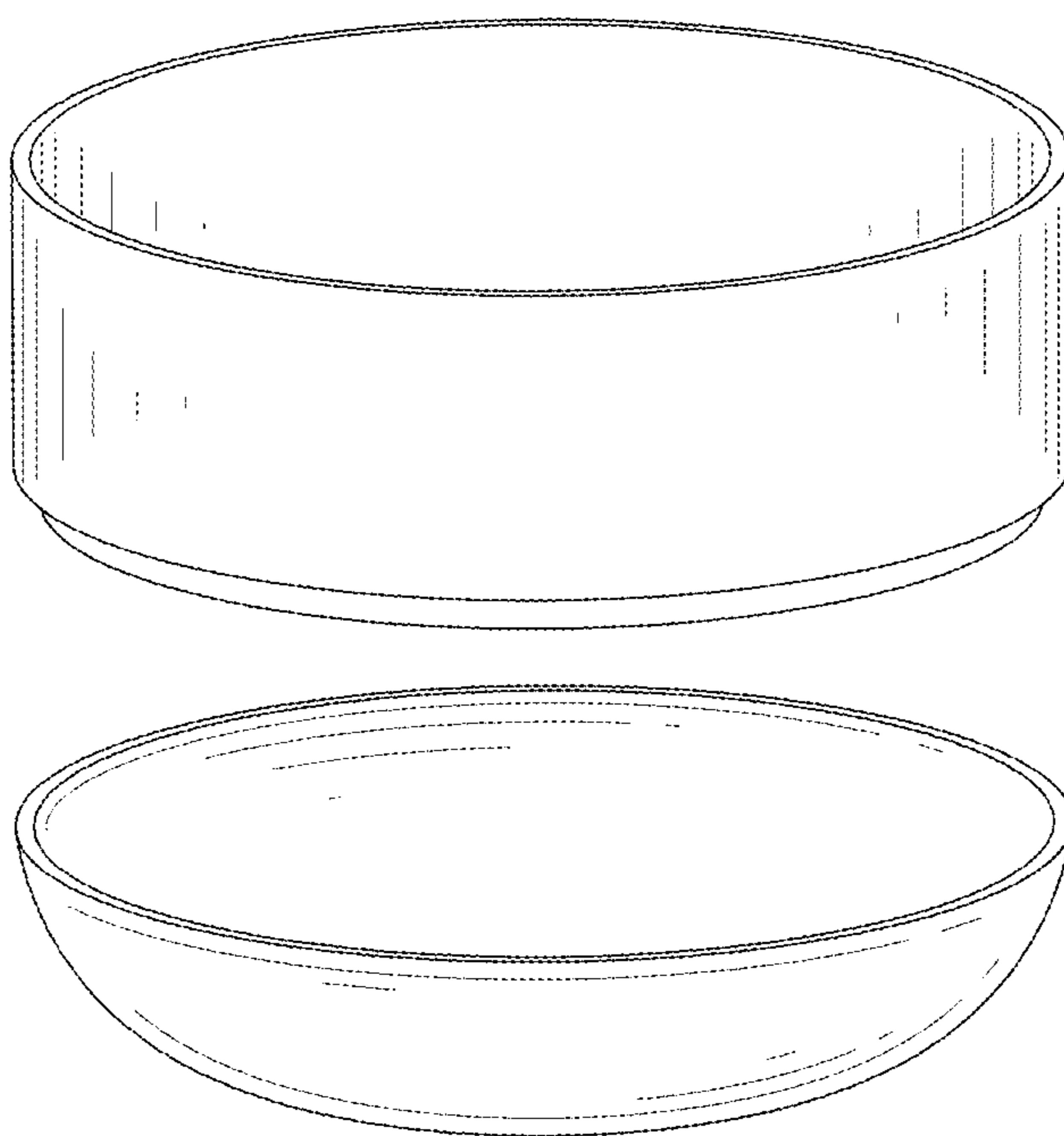


FIG. 6

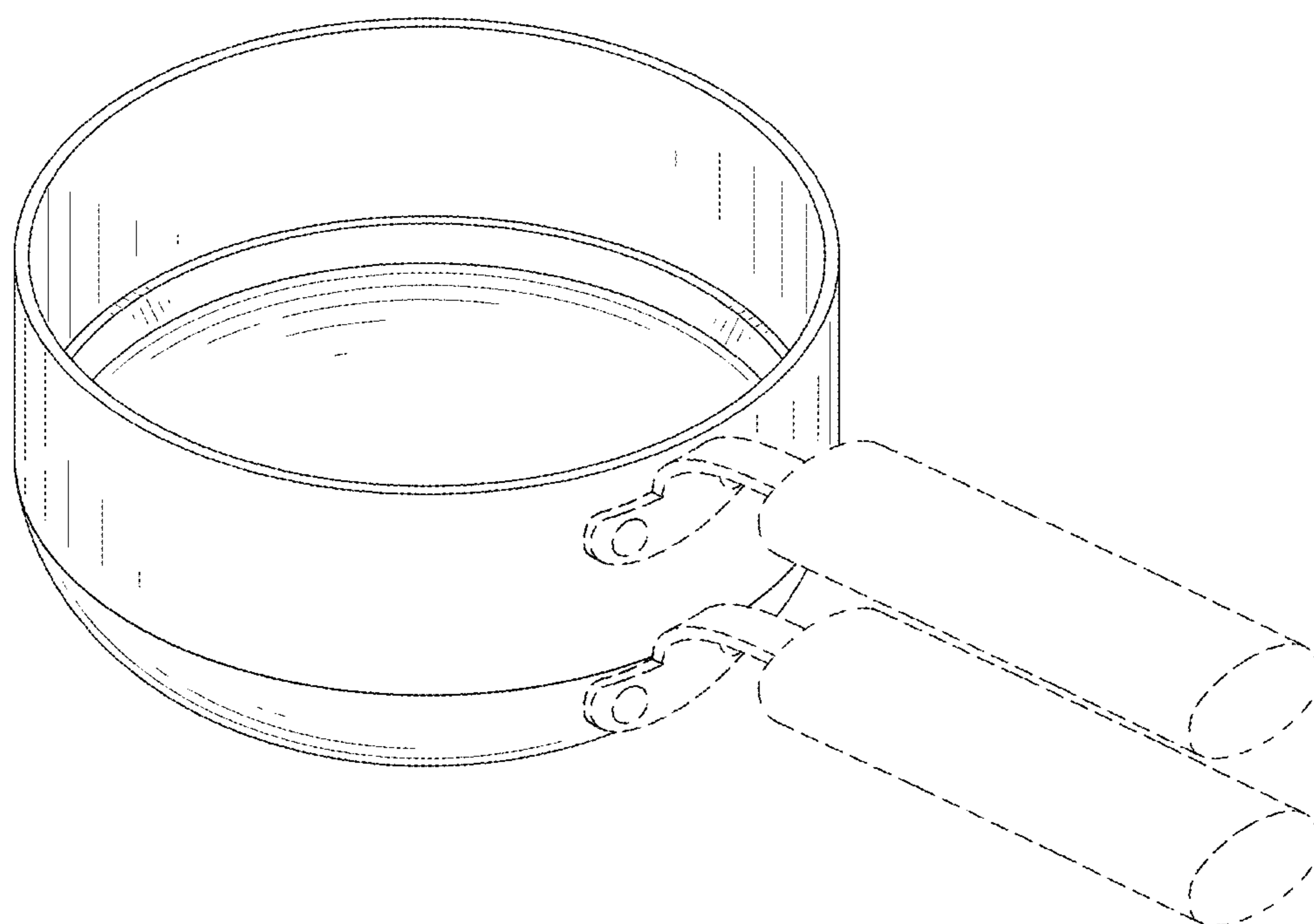


FIG. 7

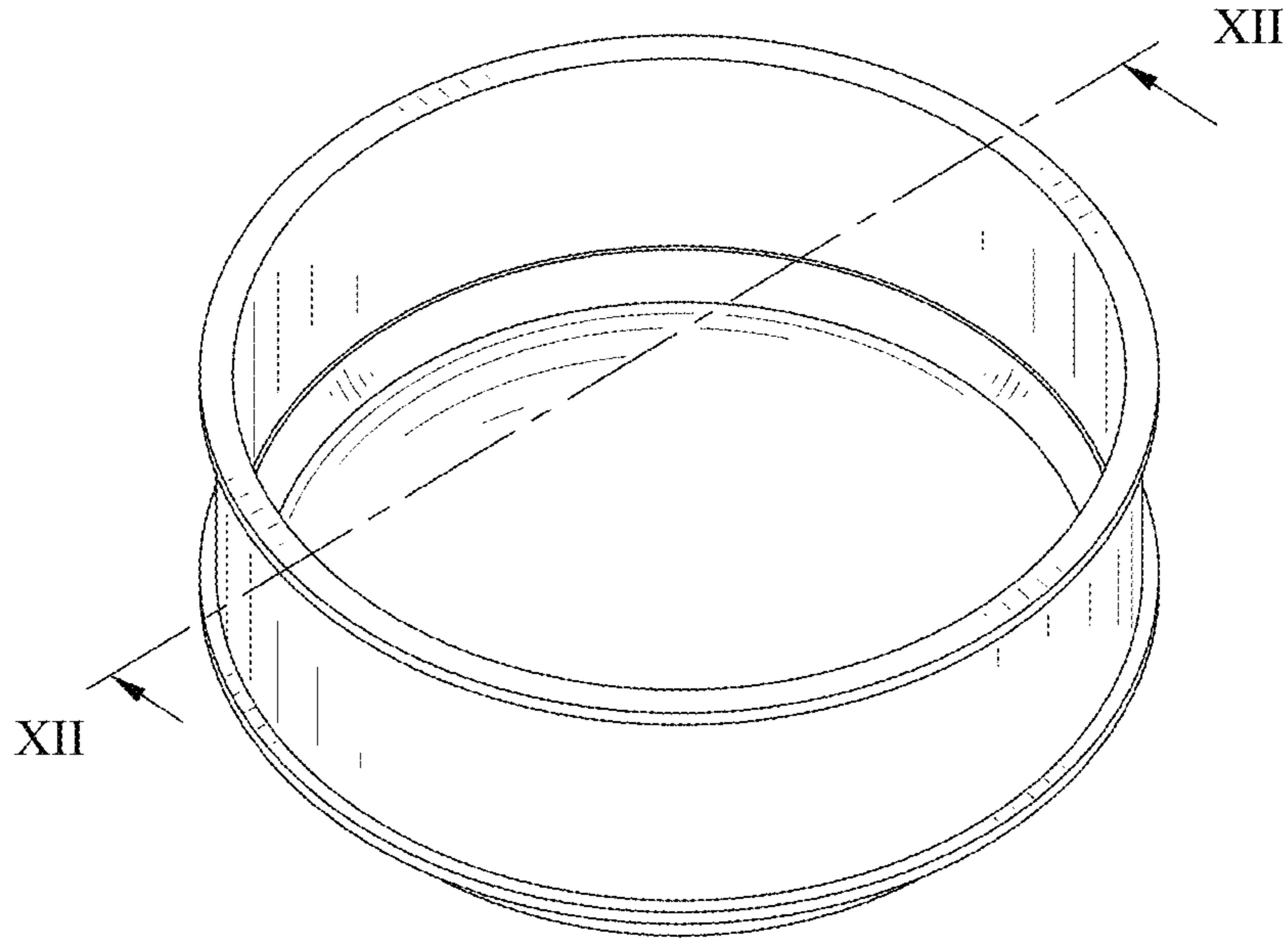


FIG. 8

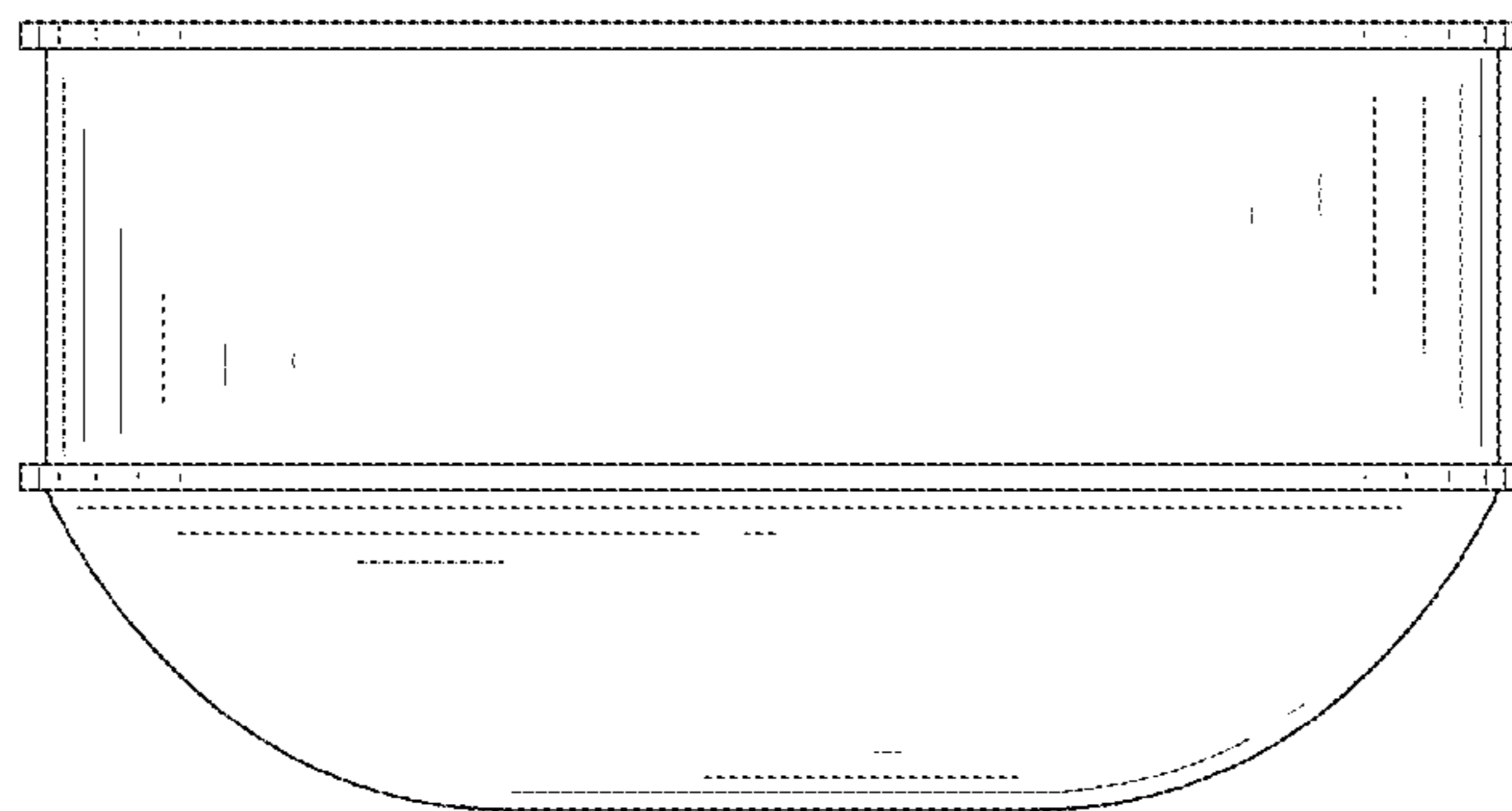


FIG. 9

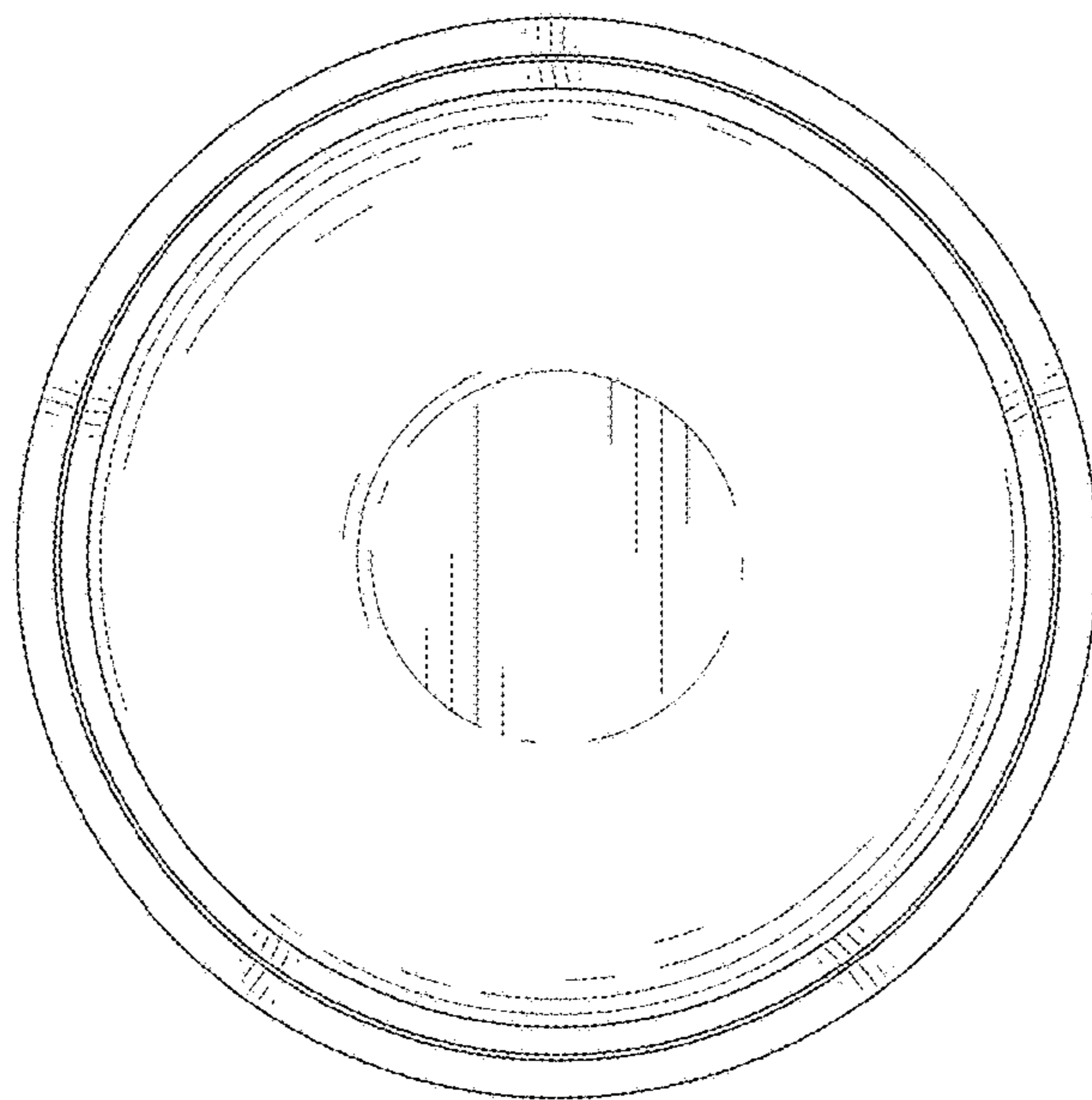


FIG. 10

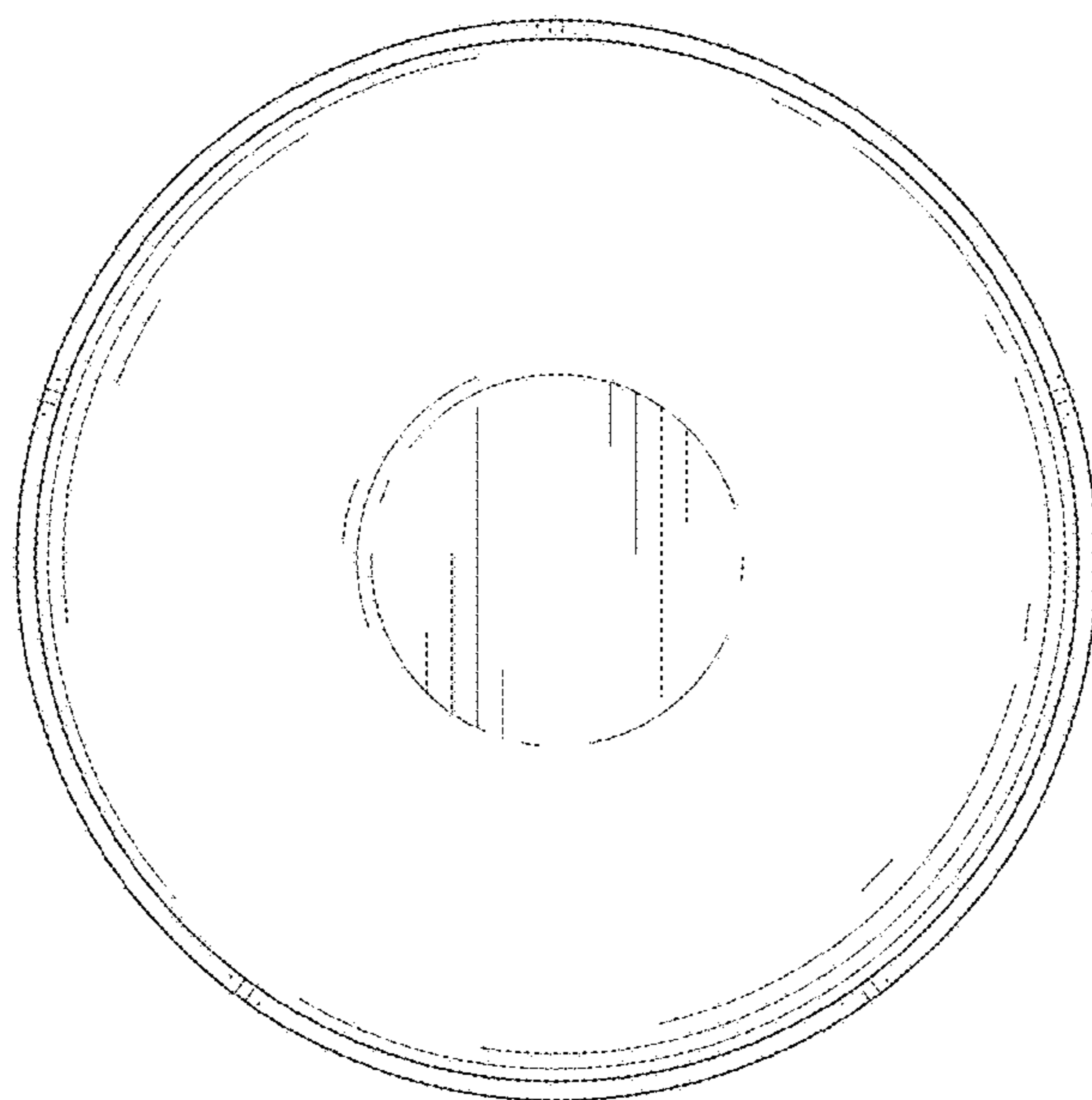


FIG. 11

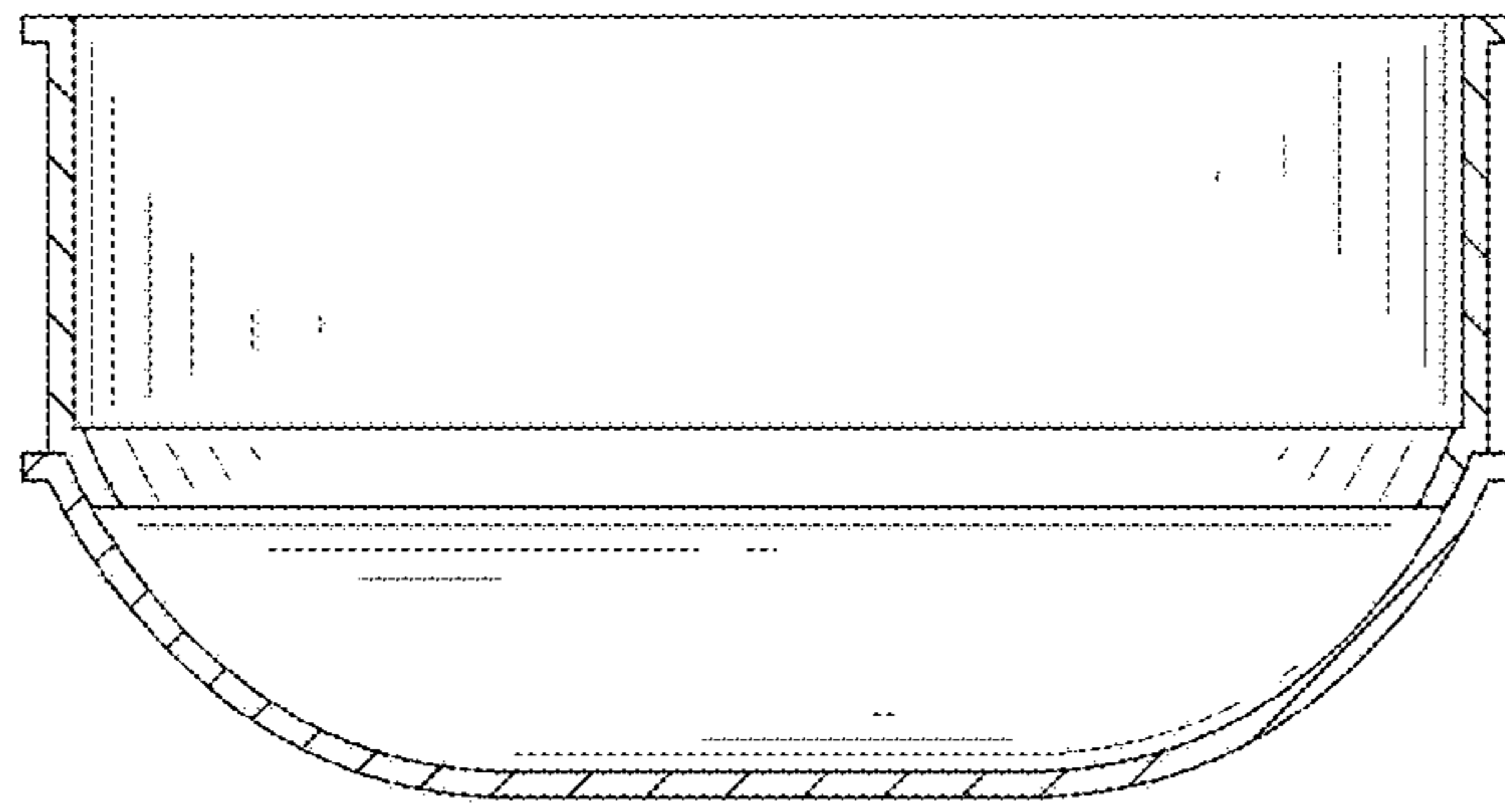


FIG. 12

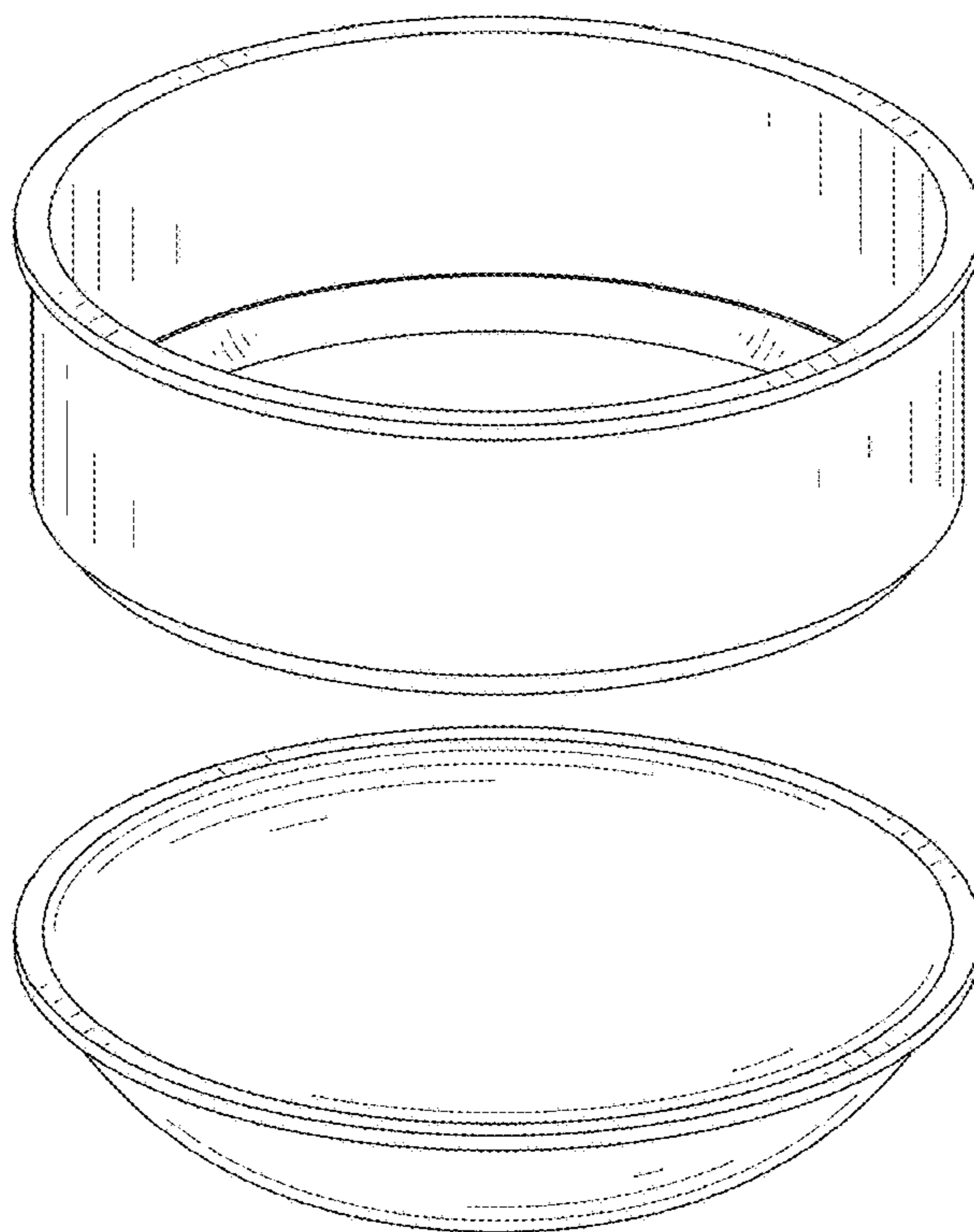


FIG. 13

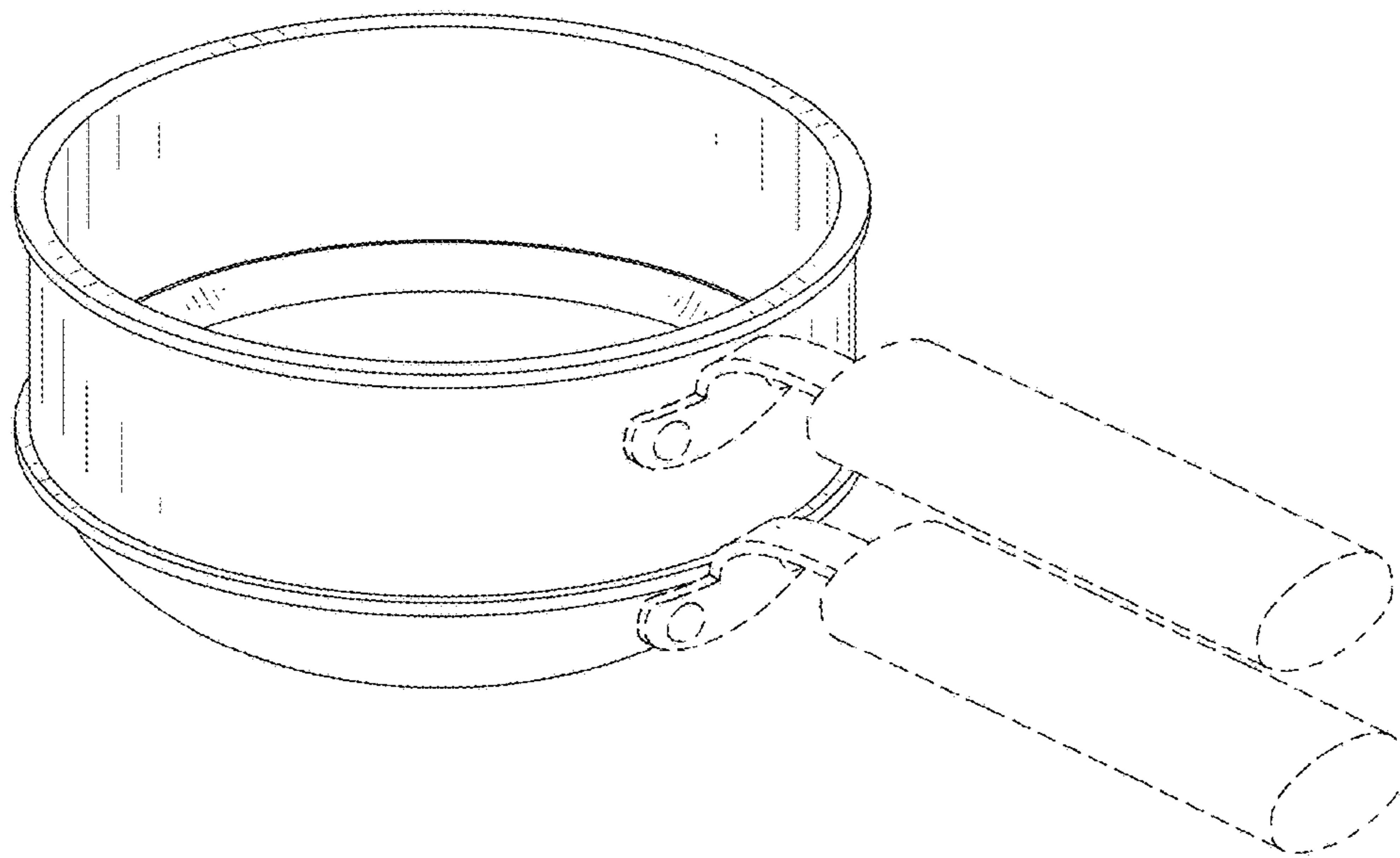


FIG. 14