



US00D834875S

(12) **United States Design Patent** (10) **Patent No.:** **US D834,875 S**
Feng et al. (45) **Date of Patent:** **** *Dec. 4, 2018**

(54) **COOKING PAN**

FOREIGN PATENT DOCUMENTS

(71) Applicant: **ATLANTIC PROMOTIONS INC.**,
Longueuil (Quebec) (CA)

DE 2312782 A1 9/1973
FR 2739998 A1 4/1997

(Continued)

(72) Inventors: **Zhihui Feng**, Guangdong (CN); **Junbin Zhang**, Shatin (HK)

OTHER PUBLICATIONS

(73) Assignee: **ATLANTIC PROMOTIONS INC.**,
Longueuil (Quebec) (CA)

Swiss Diamond, "Induction 3 Piece Set: Fry Pan and Saute Pan",
Switzerland, Copyright 2016, <http://www.swissdiamond.com/products/fry-pan-induction/>.

(Continued)

(*) Notice: This patent is subject to a terminal disclaimer.

Primary Examiner — Barbara Fox

Assistant Examiner — Mehri F Bajoul

(**) Term: **15 Years**

(74) *Attorney, Agent, or Firm* — McDermott Will & Emery LLP

(21) Appl. No.: **29/567,847**

(57) **CLAIM**

(22) Filed: **Jun. 13, 2016**

The ornamental design for a cooking pan, as shown and described.

(51) **LOC (11) Cl.** **07-02**

(52) **U.S. Cl.**
USPC **D7/361**

DESCRIPTION

(58) **Field of Classification Search**
USPC D7/323, 354, 360–361, 363, 367,
D7/393–396, 402, 409
CPC A47J 36/025; A47J 36/02; A47J 36/06;
A47J 36/12; A47J 37/00; A47J 37/10;
A47J 27/21; A47J 27/58
See application file for complete search history.

FIG. 1 is a perspective view of a cooking pan showing my new design in a first embodiment;
FIG. 2 is a front elevational view thereof;
FIG. 3 is a rear elevational view thereof;
FIG. 4 is a right side elevational view thereof;
FIG. 5 is a left side elevational view thereof;
FIG. 6 is a top plan view thereof;
FIG. 7 is a bottom plan view thereof;
FIG. 8 is a perspective view of the cooking pan shown in a second embodiment;
FIG. 9 is a front elevational view of the FIG. 8 thereof;
FIG. 10 is a rear elevational view thereof;
FIG. 11 is a right side elevational view thereof;
FIG. 12 is a left side elevational view thereof;
FIG. 13 is a top plan view thereof; and,
FIG. 14 is a bottom plan view thereof.
The broken lines in the drawings depict portions of the cooking pan and form no part of the claimed design.

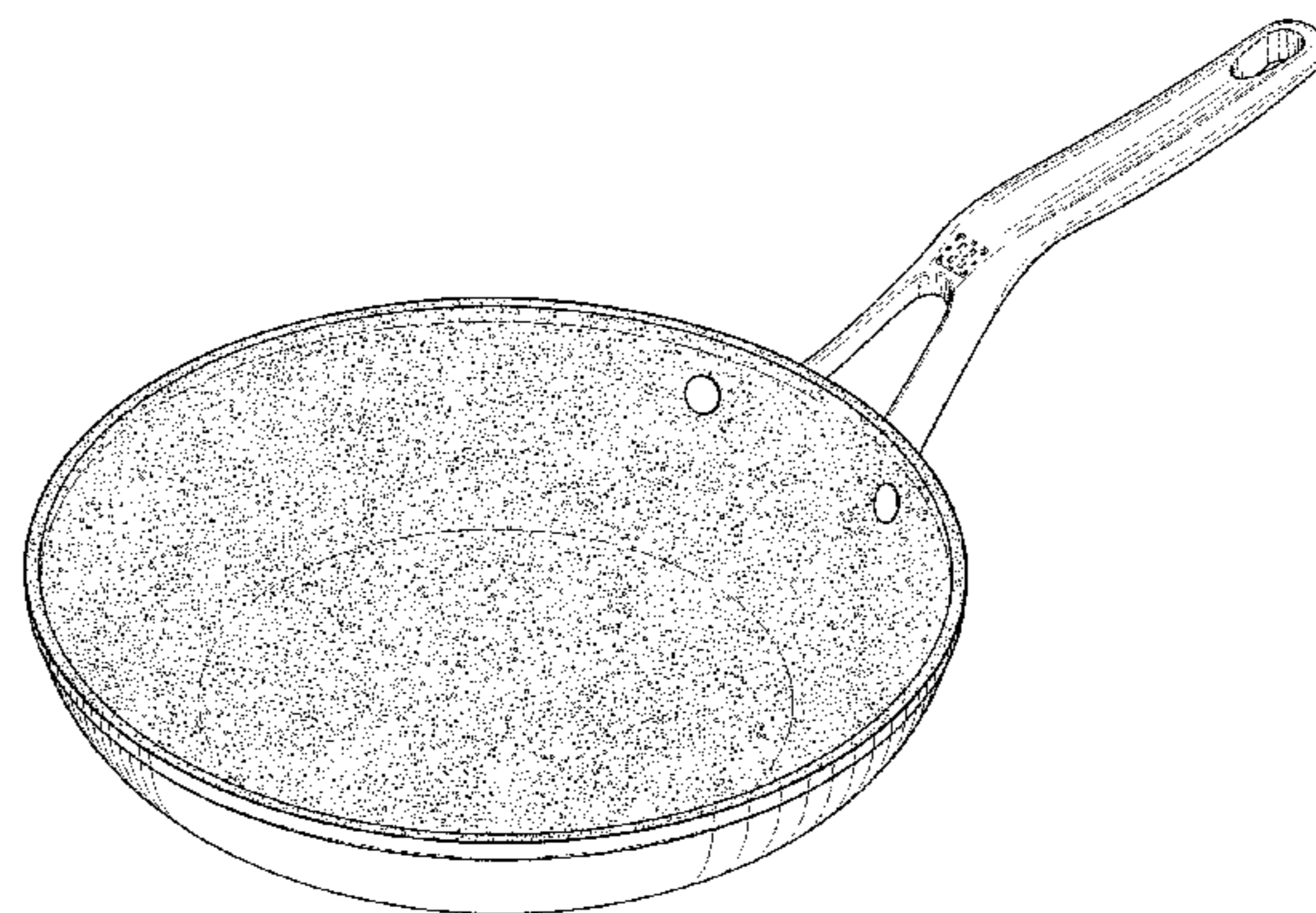
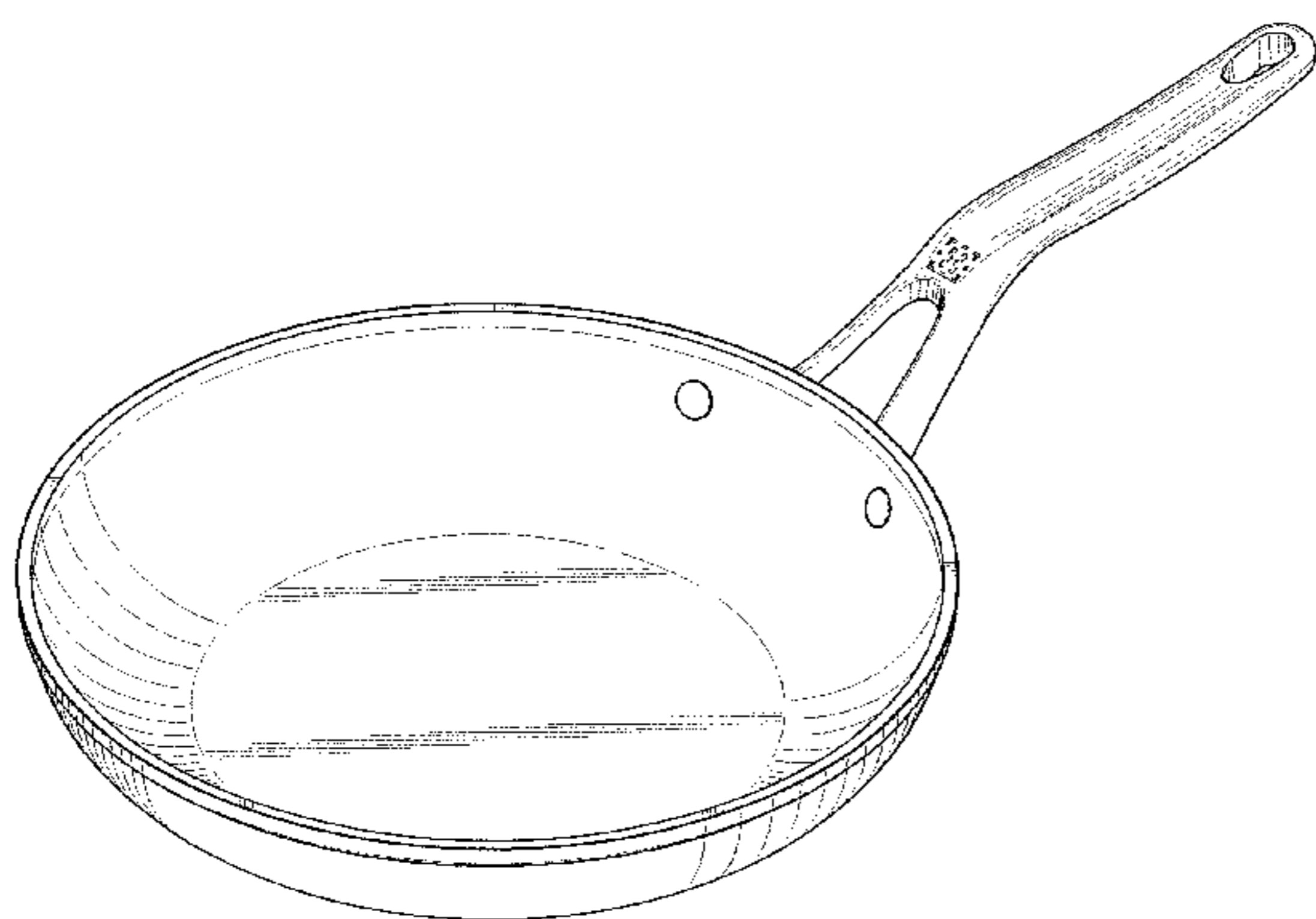
(56) **References Cited**

U.S. PATENT DOCUMENTS

2,171,040 A 3/1939 Merrit et al.
2,841,137 A 7/1958 Chace
3,143,241 A 8/1964 Howell
3,909,591 A 9/1975 Ulam
3,919,763 A 11/1975 Ulam
3,984,024 A 10/1976 Fauvel
4,167,606 A 9/1979 Ulam
4,541,411 A 9/1985 Woolf

(Continued)

1 Claim, 10 Drawing Sheets



(56)

References Cited

U.S. PATENT DOCUMENTS

4,828,134 A 5/1989 Ferlanti
 5,411,014 A 5/1995 Paul
 5,497,696 A 3/1996 Coudurier
 5,628,426 A 5/1997 Doyle et al.
 5,809,630 A 9/1998 Coissard
 5,881,635 A 3/1999 Muller
 6,092,520 A 7/2000 Hasegawa
 D431,151 S * 9/2000 Brunianyn D7/354
 6,926,971 B2 8/2005 Groll
 D545,115 S * 6/2007 Wasserman D7/354
 D545,116 S * 6/2007 Wasserman D7/354
 D545,612 S * 7/2007 Wasserman D7/354
 D555,418 S * 11/2007 Cheng D7/354
 7,378,623 B2 5/2008 Tarenga
 D618,494 S 6/2010 Welk et al.
 D618,495 S 6/2010 Welk et al.
 7,906,748 B2 3/2011 Imura
 8,353,243 B2 1/2013 Lee
 D682,013 S * 5/2013 Huang D7/354
 D696,060 S 12/2013 Schleinzer
 8,851,319 B2 10/2014 Berrux et al.
 8,989,313 B2 3/2015 Bergkvist, Jr. et al.
 D734,090 S * 7/2015 Bourbeau D7/354
 D734,091 S * 7/2015 Moon D7/354
 D763,618 S * 8/2016 Feng D7/354
 D766,032 S * 9/2016 Moulin D7/354
 D777,506 S * 1/2017 Mirchandani D7/354
 D783,338 S * 4/2017 Mirchandani D7/354
 2006/0289486 A1 12/2006 Cheng
 2007/0000915 A1 1/2007 Cheng
 2008/0164264 A1 7/2008 Fung
 2010/0108690 A1 5/2010 Groll
 2011/0073602 A1 * 3/2011 Musil A47J 27/002
 220/573.2
 2013/0037553 A1 * 2/2013 Bourbeau A47J 37/10
 220/573.1
 2013/0161334 A1 6/2013 Liu

2014/0182460 A1 7/2014 Imura
 2014/0291316 A1 10/2014 England
 2014/0305948 A1 10/2014 Gantillon et al.
 2014/0326734 A1 11/2014 Le Bris et al.
 2014/0361020 A1 12/2014 Cheng
 2015/0001226 A1 * 1/2015 Groll B23K 20/002
 220/573.1
 2015/0083711 A1 * 3/2015 Moon A47J 27/002
 219/621
 2015/0342386 A1 * 12/2015 Lee A47J 45/061
 220/573.1

FOREIGN PATENT DOCUMENTS

GB 1049253 A 11/1966
 NO 9403844 10/1994
 WO 1999056950 A1 11/1999
 WO 2003045208 A1 6/2003

OTHER PUBLICATIONS

Swiss Diamond, "Fry Pan—7 inches", Switzerland, Copyright 2016, <http://www.swissdiamond.com/products/detail/induction-nonstick-fry-pan-7-inch>.
 Cutlery and More, LLC, "Swiss Diamond Nonstick Induction Skillet Set", Illinois, USA, Copyright 2016, <http://www.cutleryandmore.com/swiss-diamond/nostick-induction-skillet-set-p128469>.
 Cutlery and More, LLC, "Viking 3-ply Stainless Steel Nonstick. Skillets", Illinois, USA, Copyright 2016, <http://www.cutleryandmore.com/viking-3-ply/stainless-steel-nonstick-skillet-p133187>.
<http://s7d9.scene7.com/is/image/BedBathandBeyond/2993173243725m>.
 WMF Group, "Frying pan expertise", Germany, http://www.wmf.com/en_en/experience-wmf/better-cooking/frying.html.

* cited by examiner

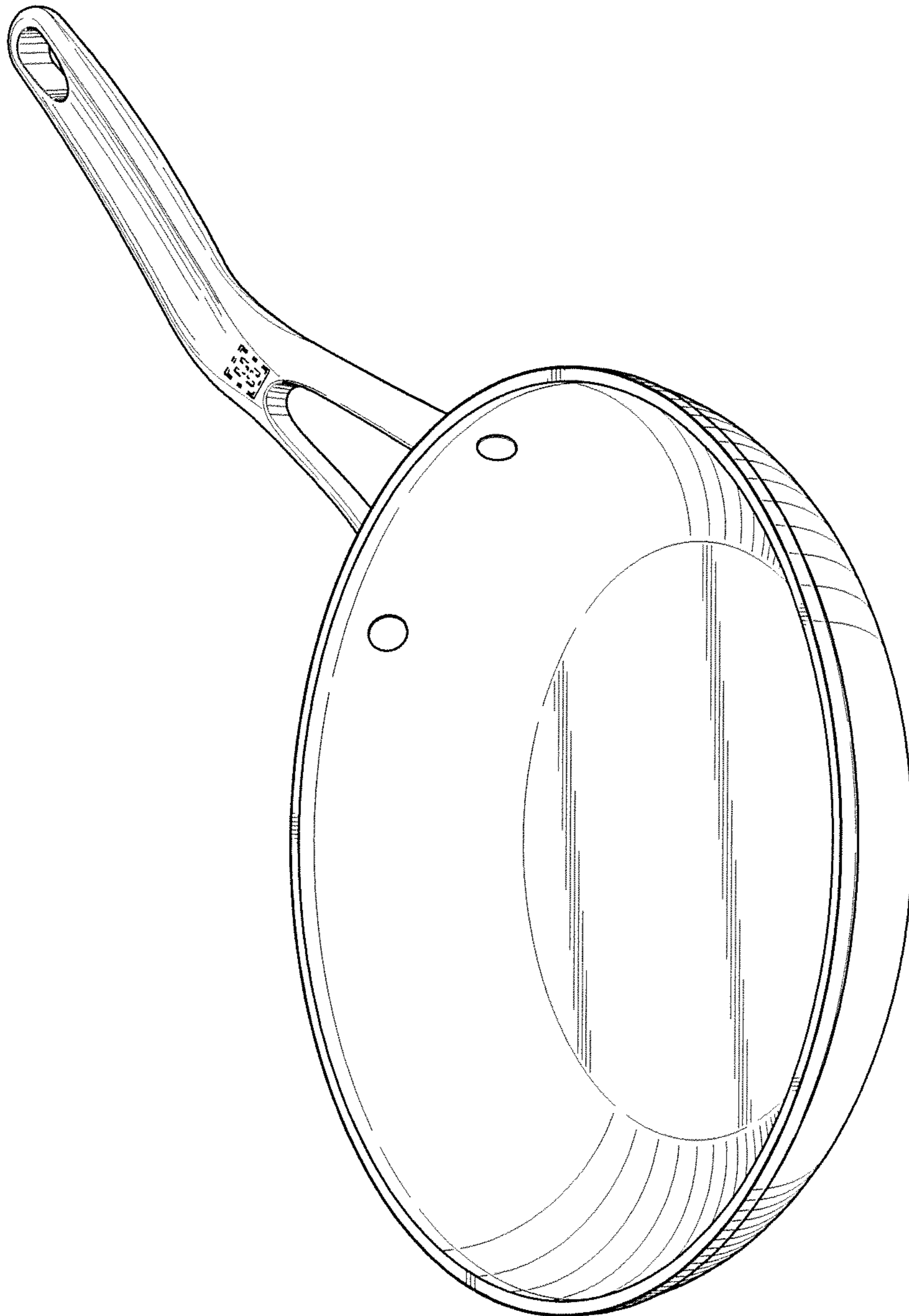


FIG. 1

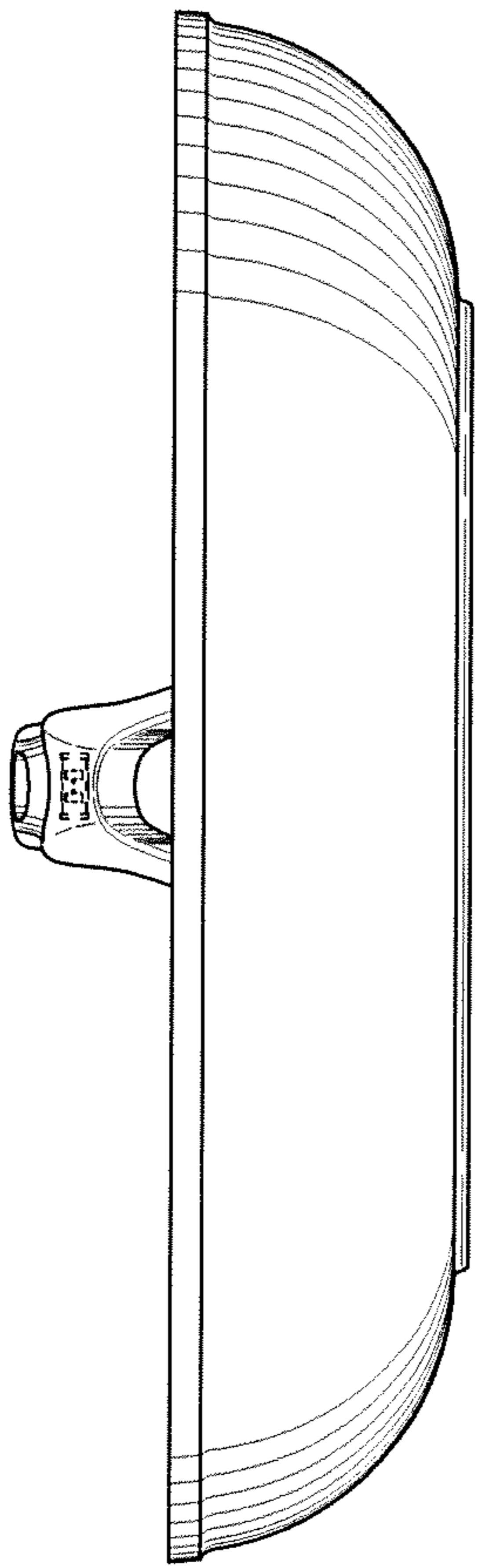


FIG. 2

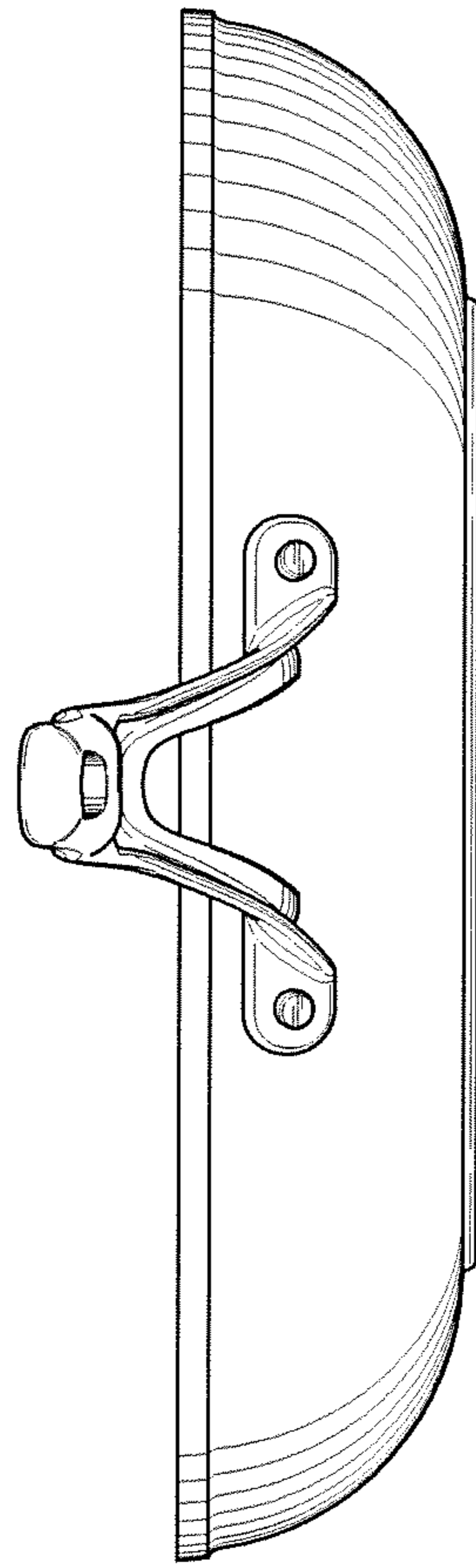


FIG. 3

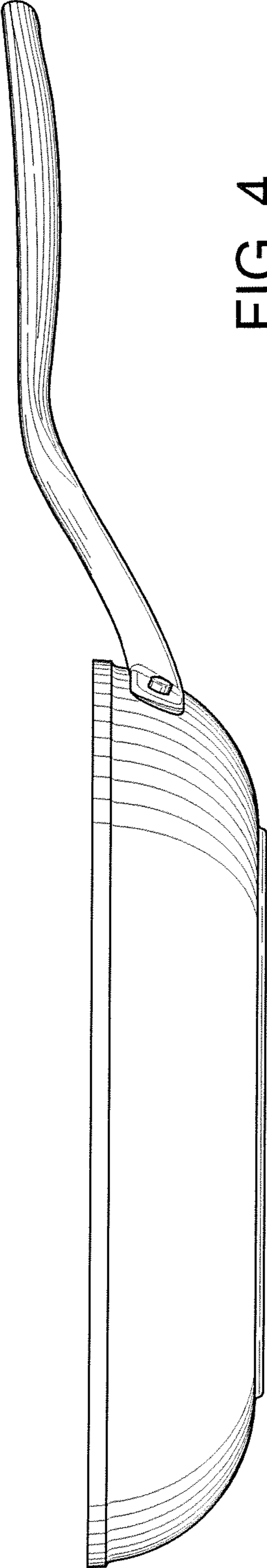


FIG. 4

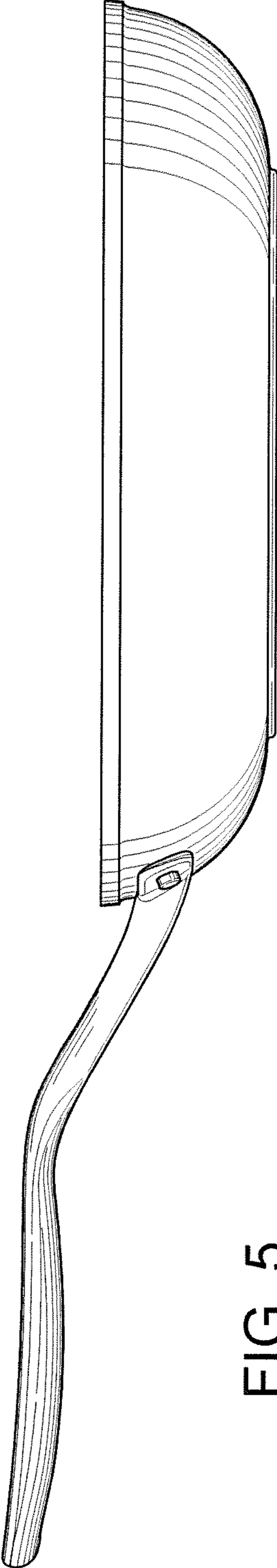


FIG. 5

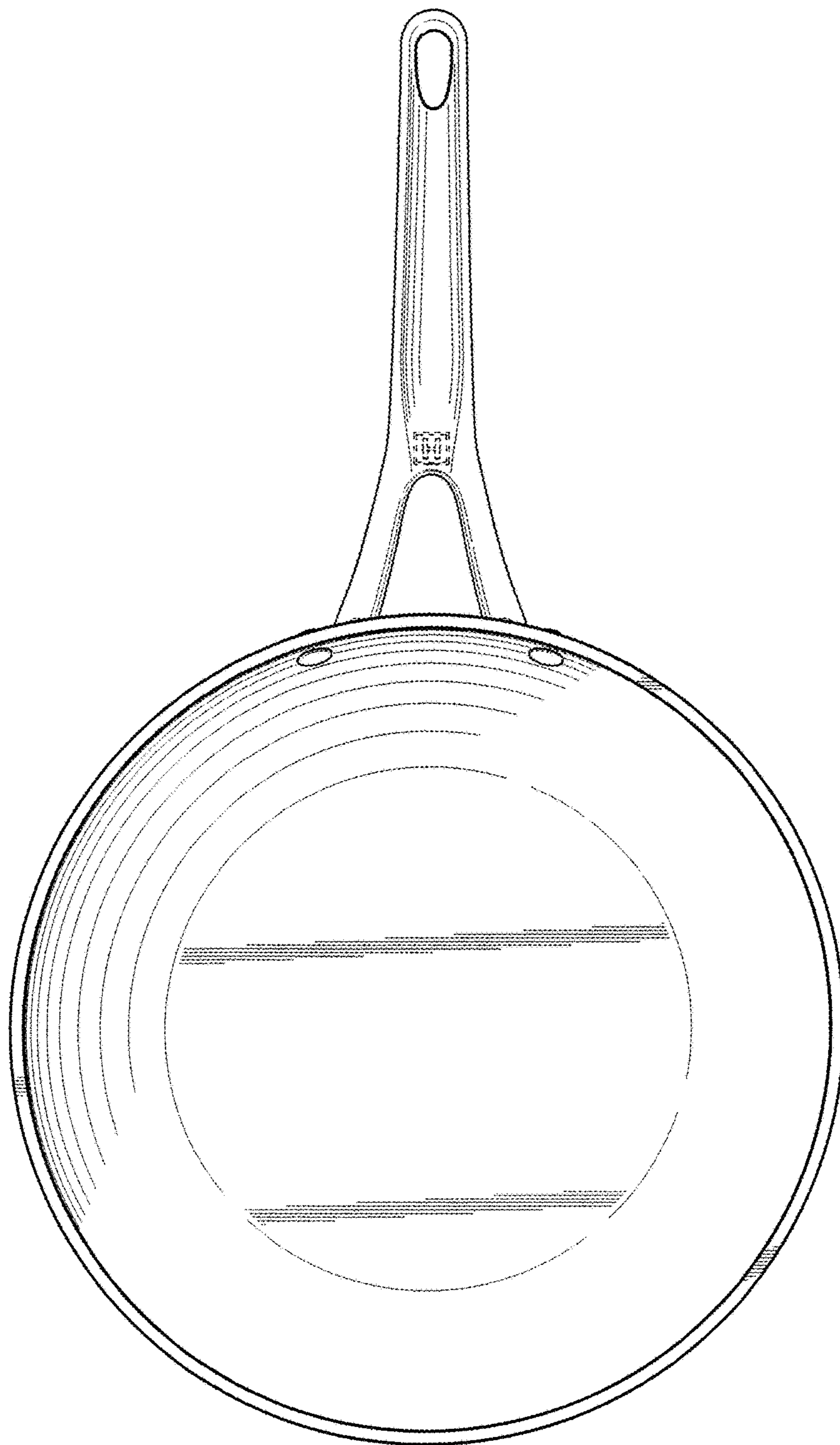


FIG. 6

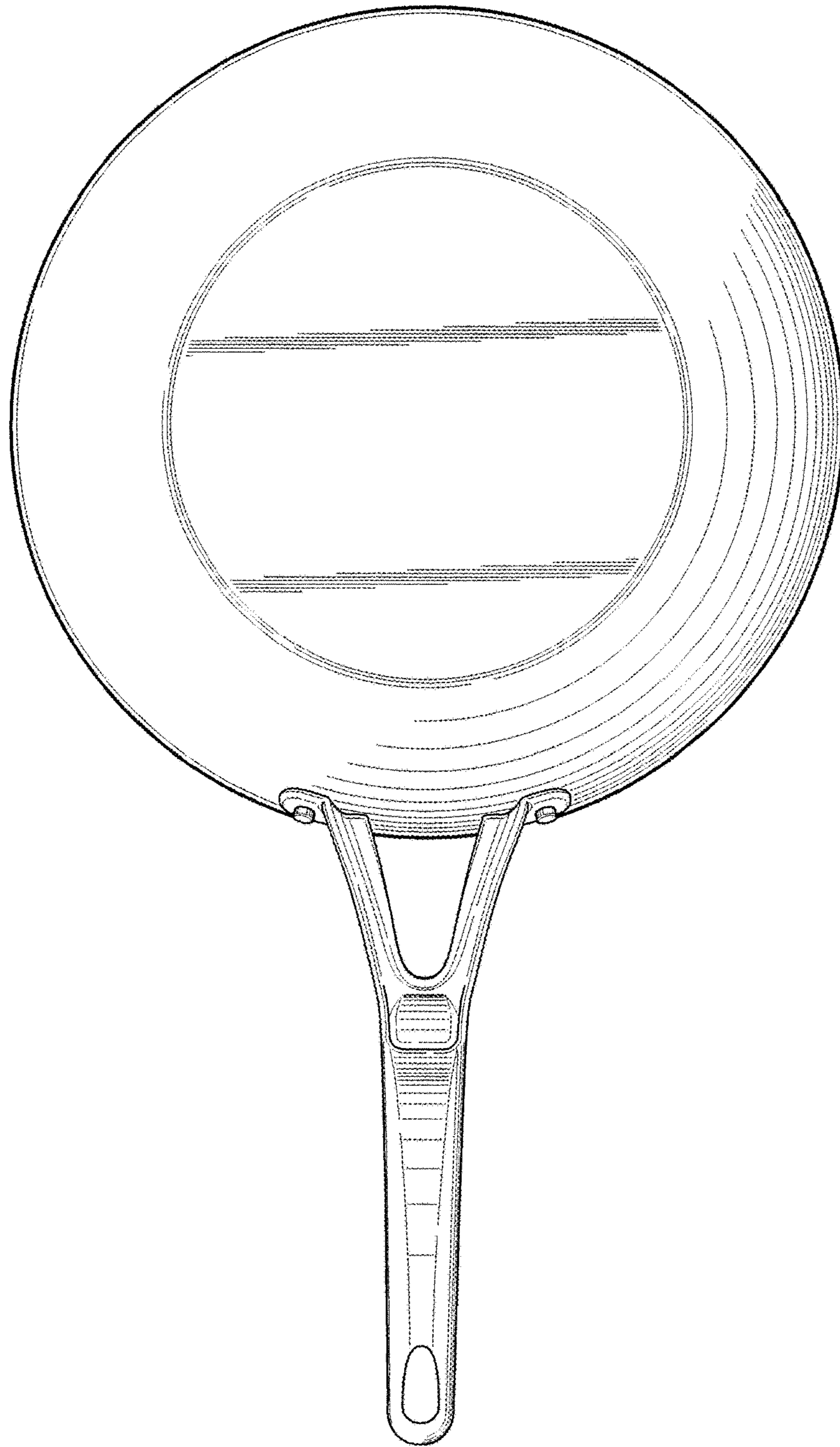


FIG. 7

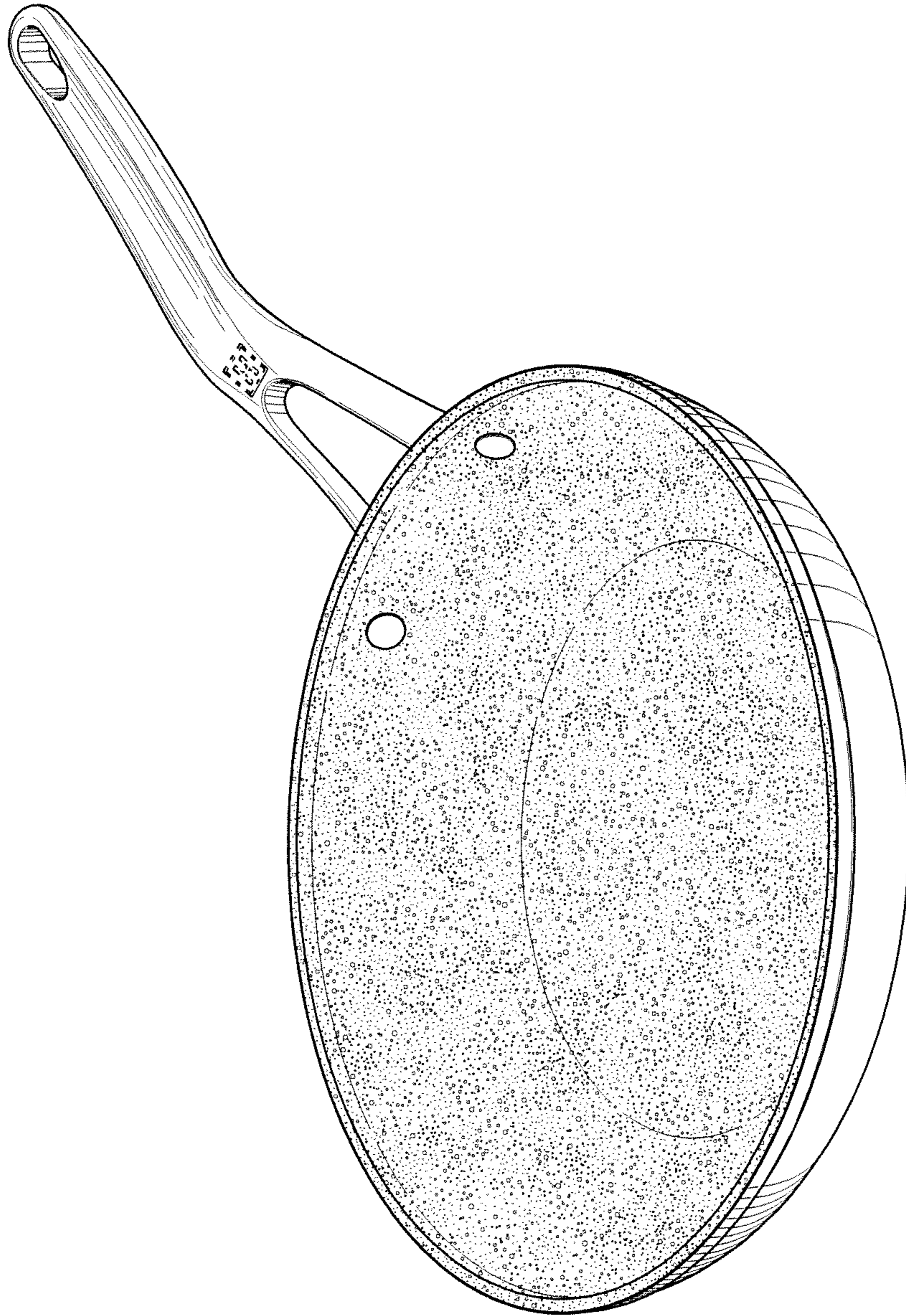


FIG. 8

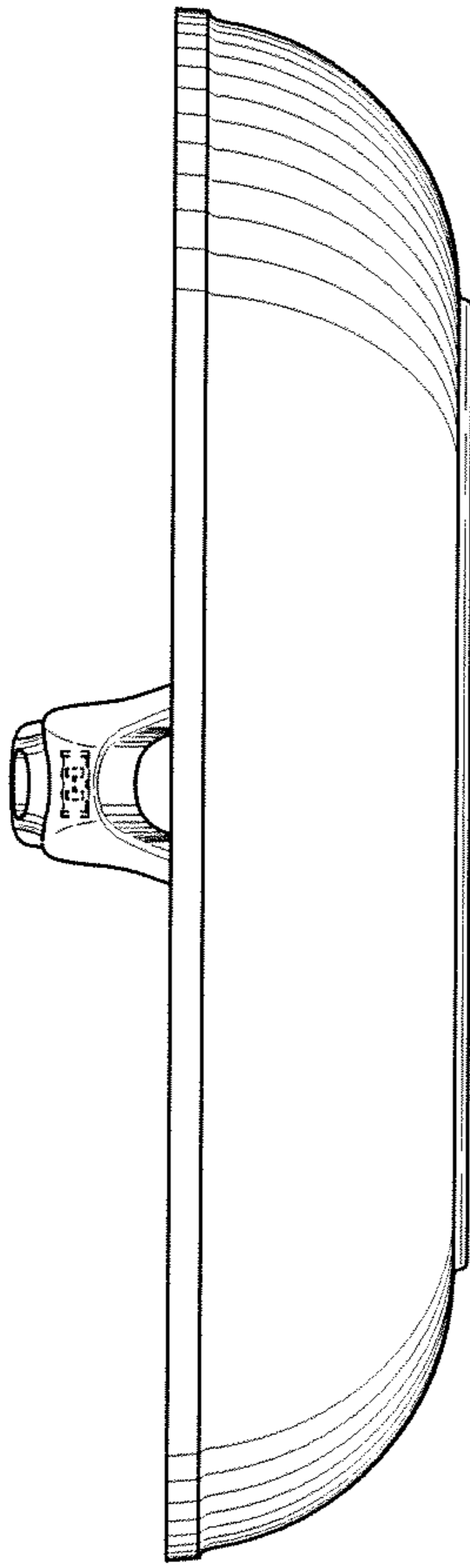


FIG. 9

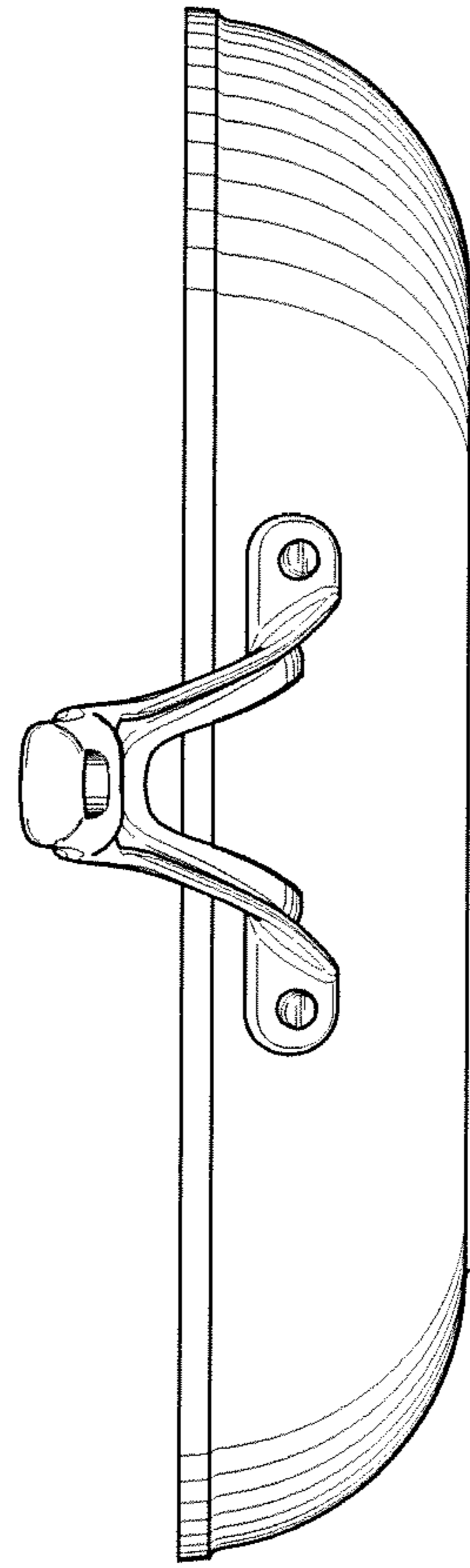


FIG. 10

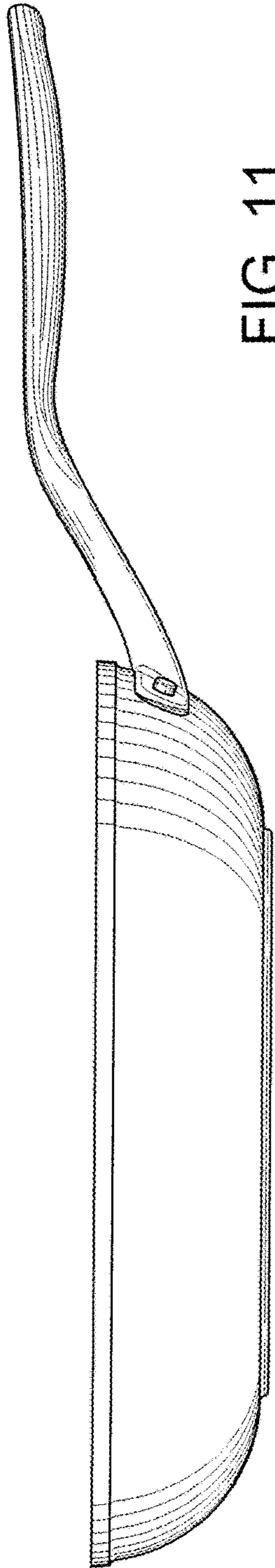


FIG. 11

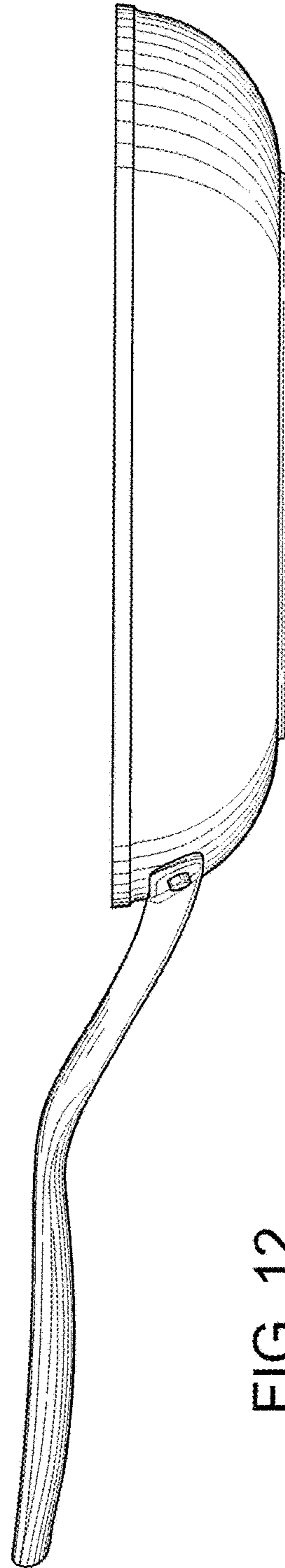


FIG. 12

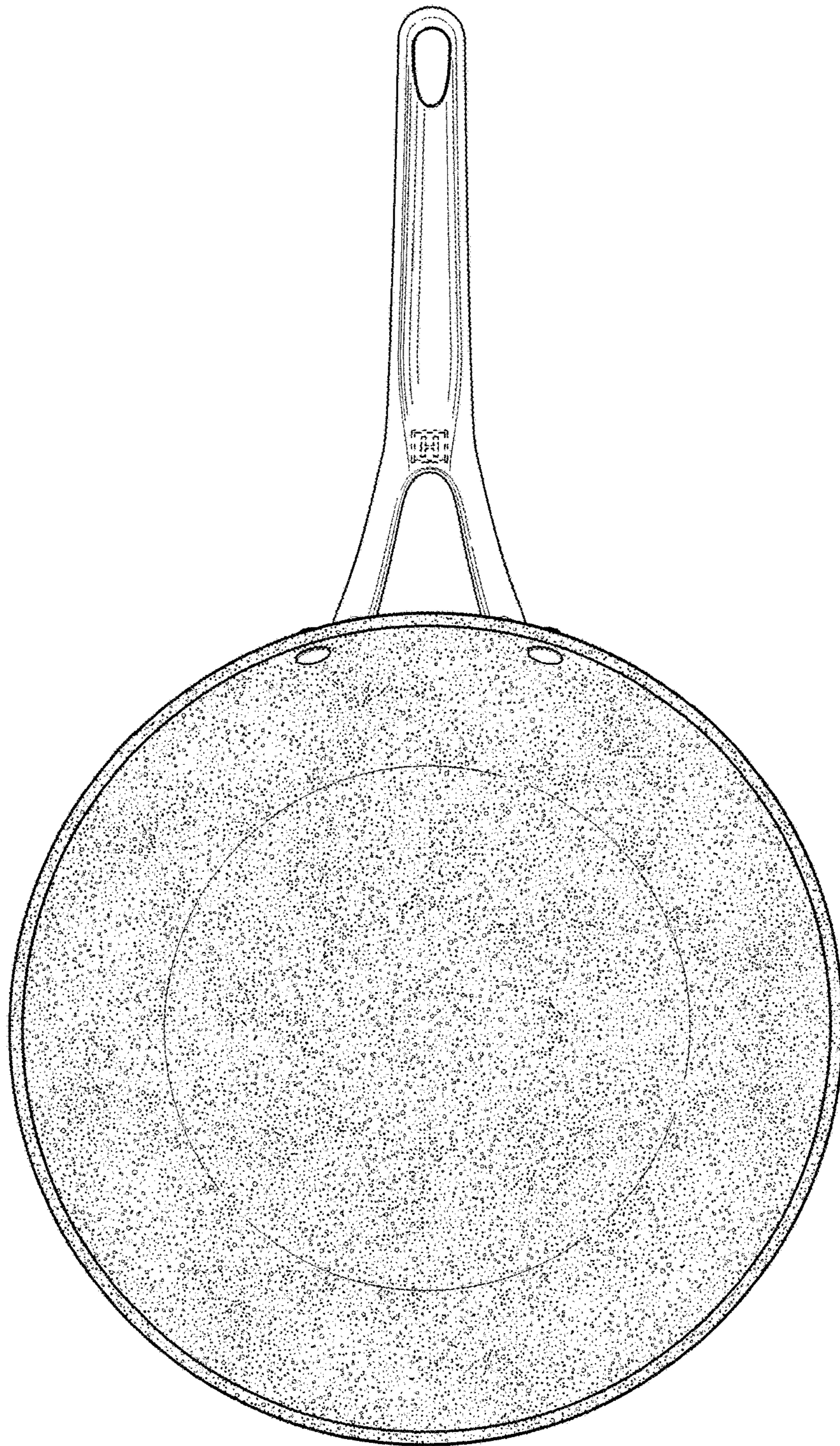


FIG. 13

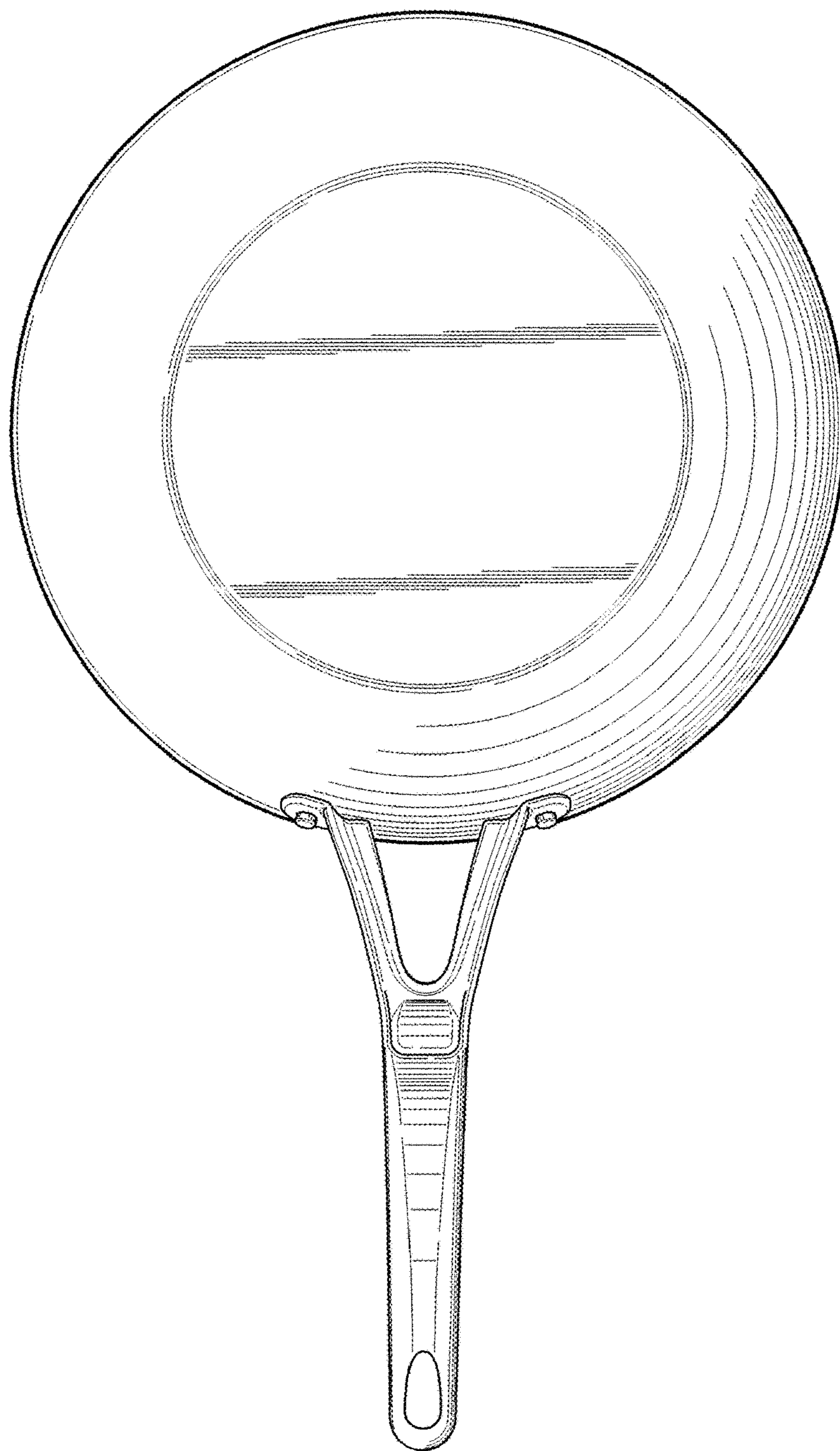


FIG. 14