



US00D834872S

(12) **United States Design Patent**  
**Rupp**

(10) **Patent No.:** **US D834,872 S**

(45) **Date of Patent:** **\*\* Dec. 4, 2018**

(54) **LIQUID DISPENSING SYSTEM**

(71) Applicant: **Snowie LLC**, Salt Lake City, UT (US)

(72) Inventor: **Carl A. Rupp**, Salt Lake City, UT (US)

(73) Assignee: **Snowie LLC**, Salt Lake City, UT (US)

(\*\*) Term: **15 Years**

(21) Appl. No.: **29/584,192**

(22) Filed: **Nov. 11, 2016**

(51) **LOC (11) Cl.** ..... **07-01**

(52) **U.S. Cl.**  
USPC ..... **D7/315**

(58) **Field of Classification Search**  
USPC ..... D7/305–308, 313, 315, 397–399, 600;  
D9/417, 432  
See application file for complete search history.

(56) **References Cited**

**U.S. PATENT DOCUMENTS**

D262,030 S *	11/1981	Reece	.....	D7/308
D411,072 S *	6/1999	Roundtree	.....	D7/307
D411,935 S *	7/1999	Roundtree	.....	D7/307
D463,945 S *	10/2002	Sandor	.....	D7/307
D484,354 S *	12/2003	McDougall	.....	D7/307
8,157,136 B2 *	4/2012	Lamb	.....	B60P 3/0257 222/108
D704,493 S *	5/2014	Tollefson	.....	D7/307
D720,568 S *	1/2015	Klein	.....	D7/307
D732,326 S *	6/2015	Kitano	.....	D7/306
D786,002 S *	5/2017	Archer	.....	D7/306

\* cited by examiner

*Primary Examiner* — Derrick Holland

*Assistant Examiner* — Andrew Kerr

(74) *Attorney, Agent, or Firm* — Terrence J. Edwards;  
TechLaw Ventures, PLLC

(57) **CLAIM**

I claim the ornamental design for a liquid dispensing system, as shown and described.

**DESCRIPTION**

FIG. 1 is a top perspective view of a first embodiment for a liquid dispensing system showing my new design;

FIG. 2 is a top view thereof;

FIG. 3 is a bottom view thereof;

FIG. 4 is a bottom perspective view thereof;

FIG. 5 is a side view thereof;

FIG. 6 is another side view thereof;

FIG. 7 is a front view thereof;

FIG. 8 is a rear view thereof;

FIG. 9 is a top perspective view of a second embodiment for a liquid dispensing system showing my new design;

FIG. 10 is a top view thereof;

FIG. 11 is a bottom view thereof;

FIG. 12 is a bottom perspective view thereof;

FIG. 13 is a side view thereof;

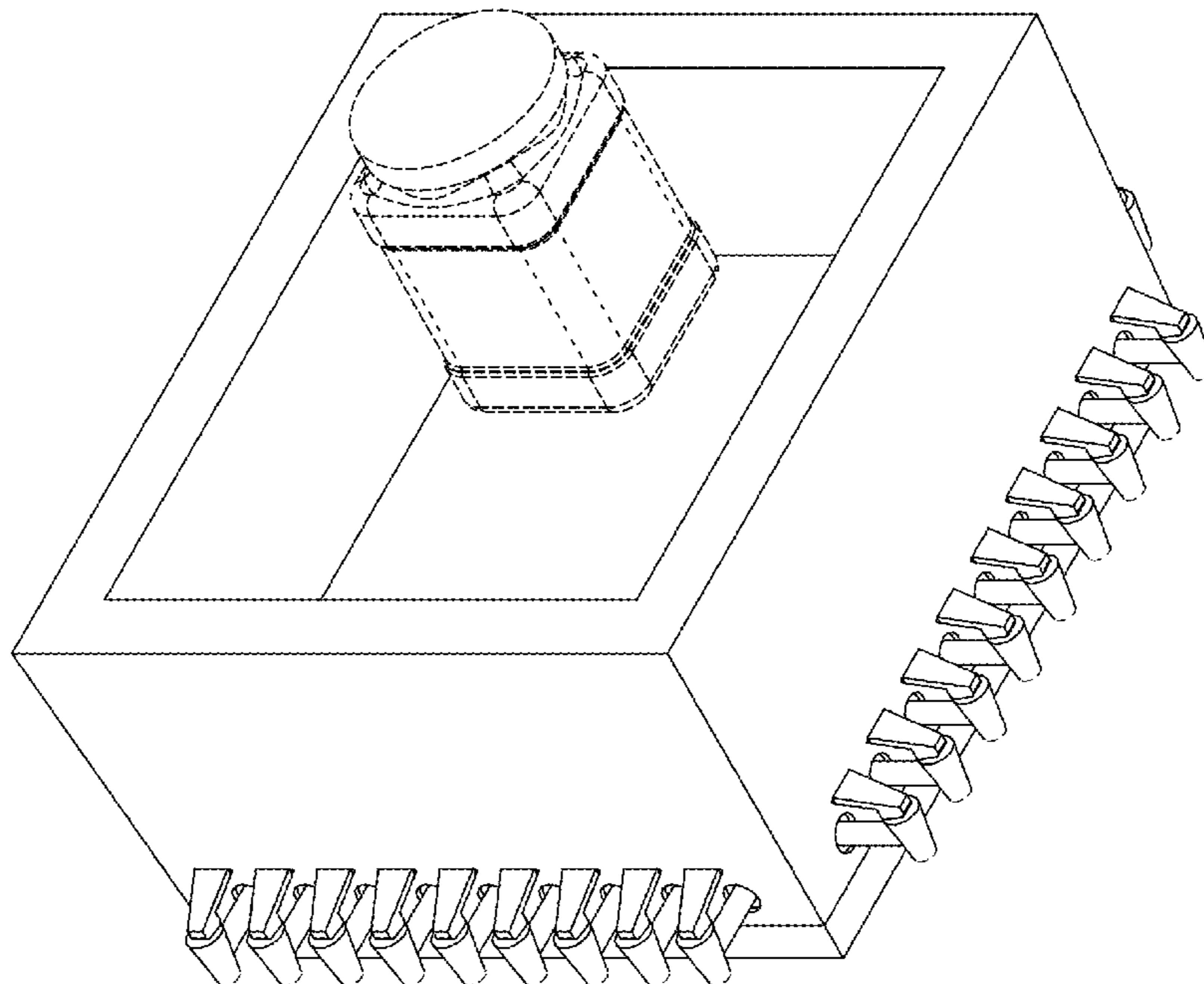
FIG. 14 is another side view thereof;

FIG. 15 is a front view thereof; and,

FIG. 16 is a rear view thereof.

The broken lines in the drawing views represent environmental structure of a liquid dispensing system, and form no part of the claimed design.

**1 Claim, 16 Drawing Sheets**



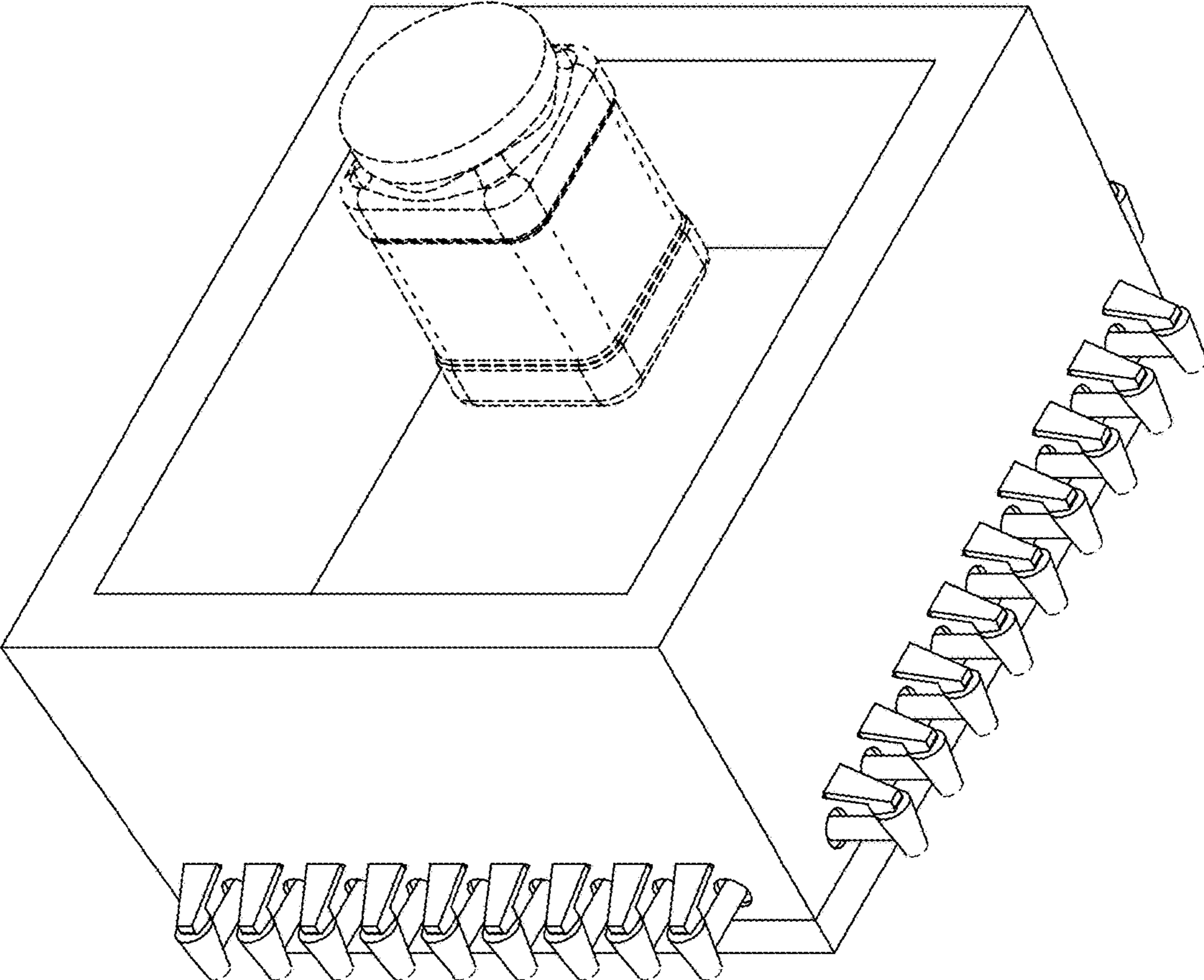
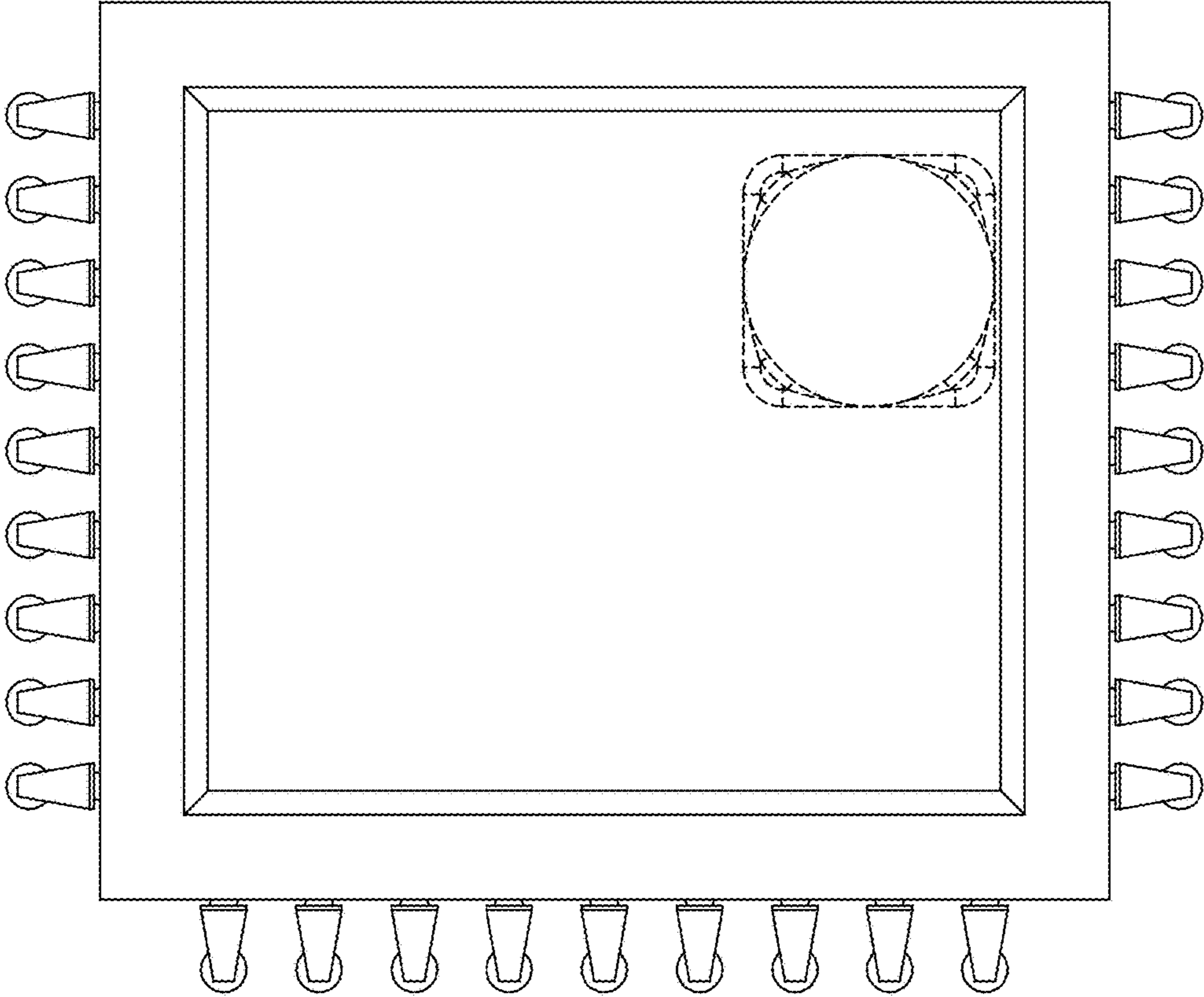
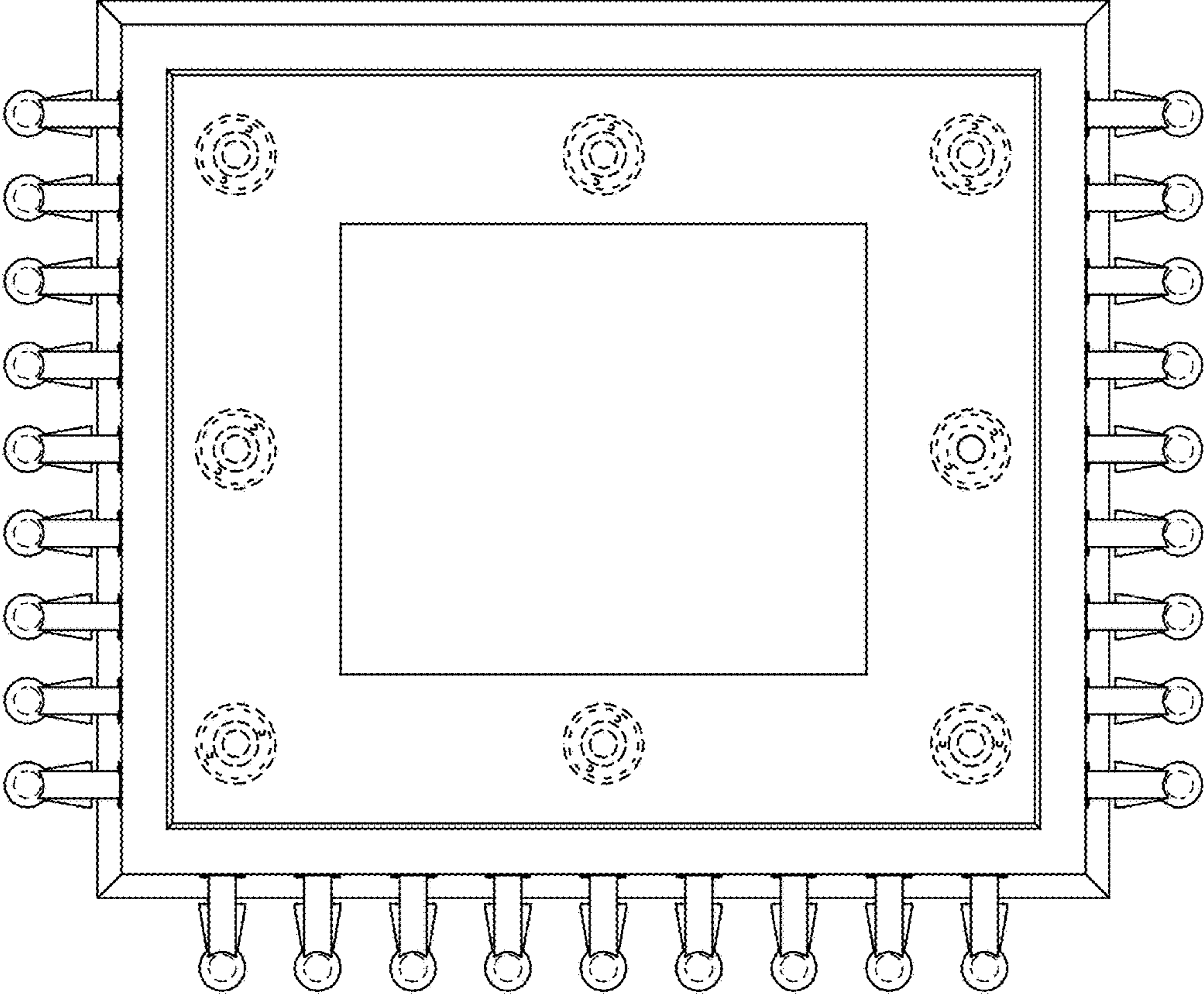


FIG. 1



**FIG. 2**



**FIG. 3**

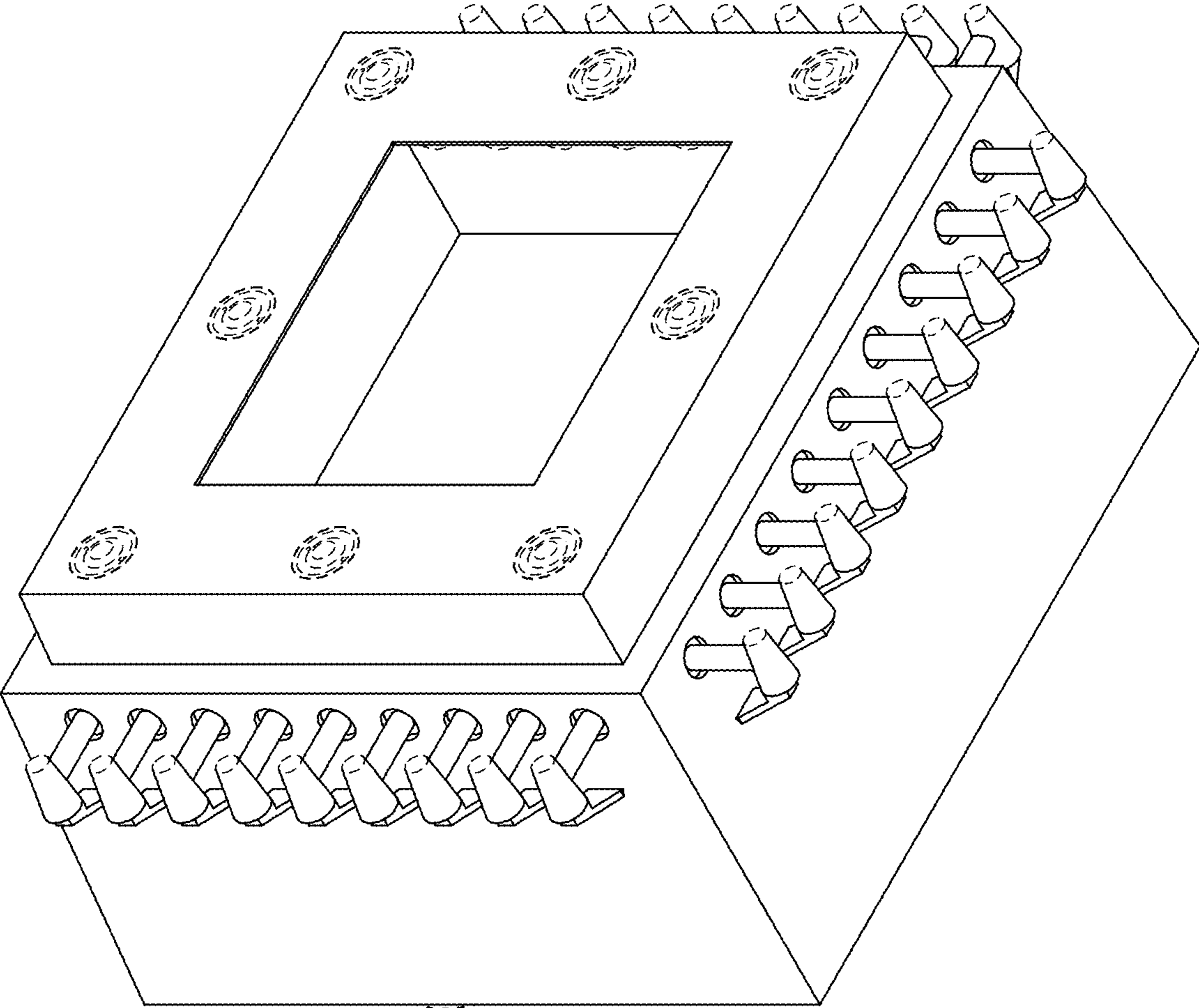
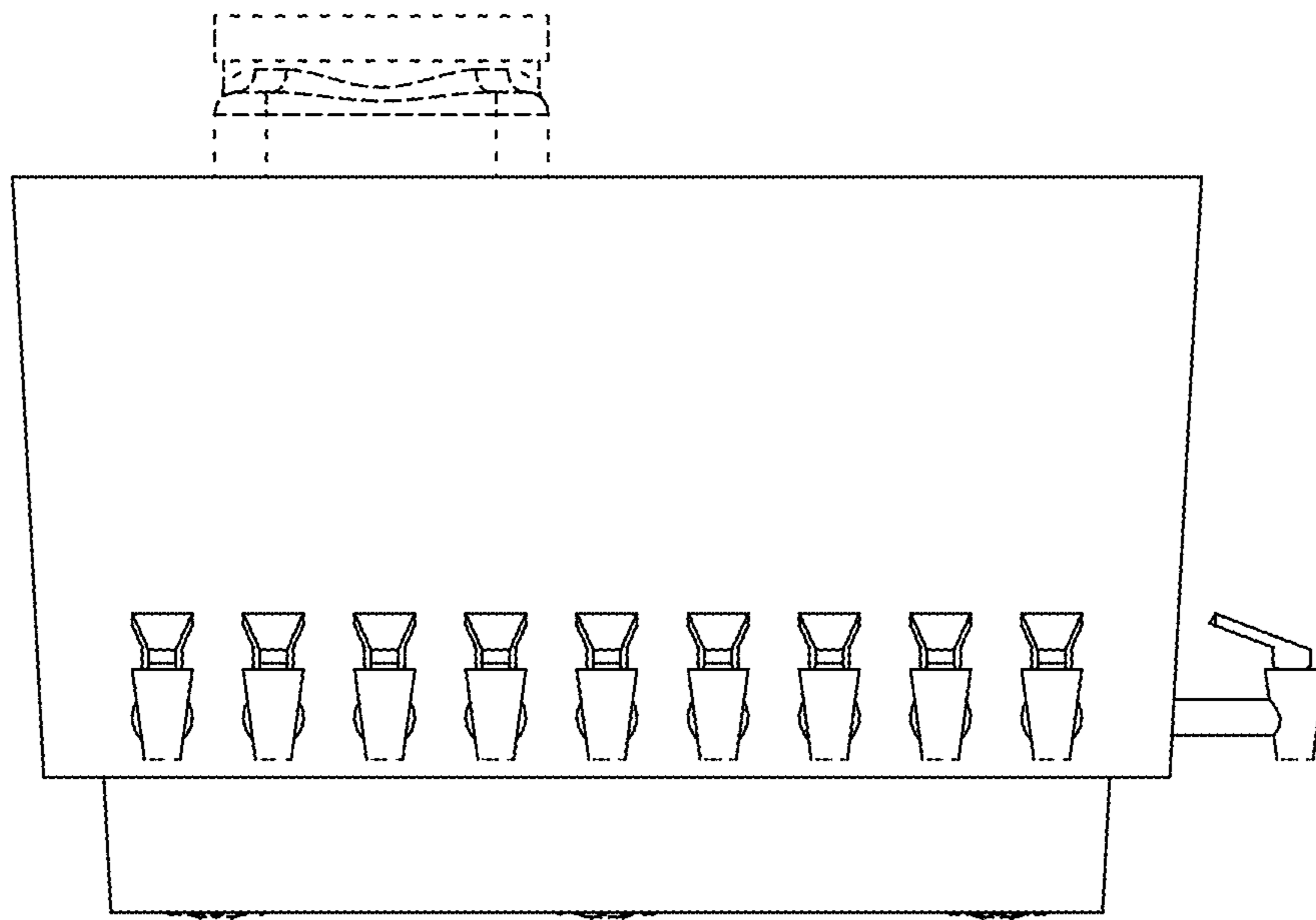
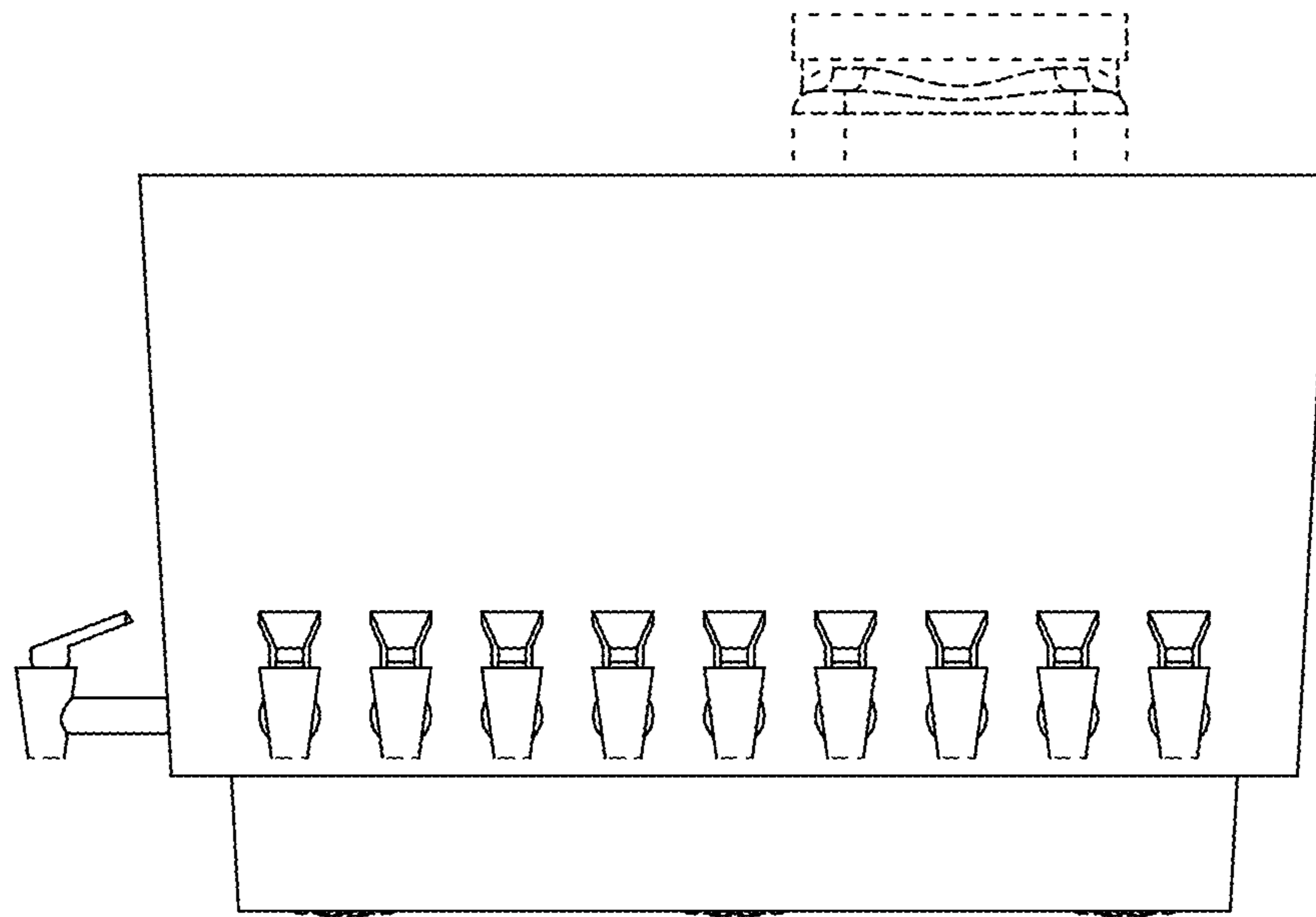


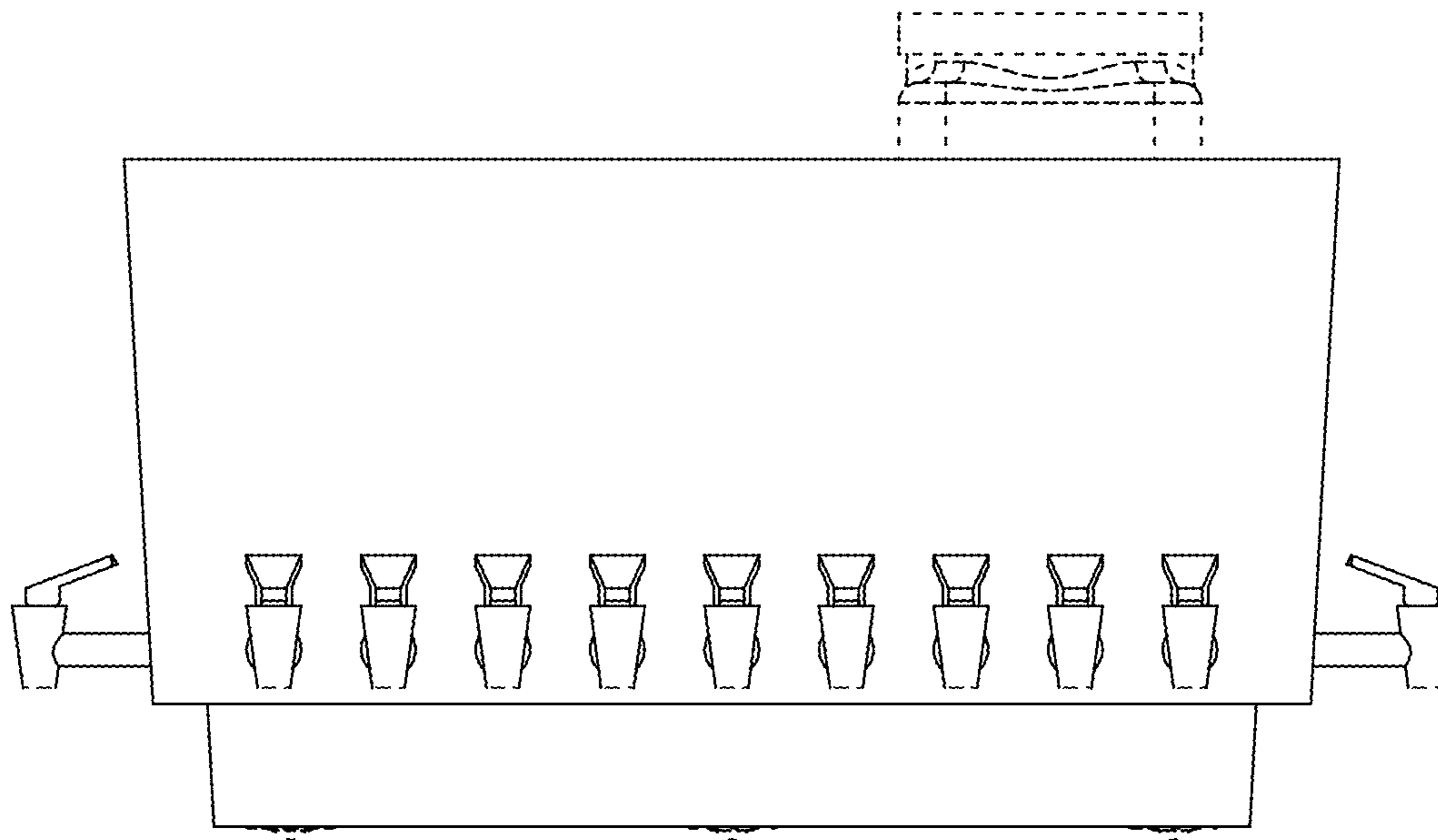
FIG. 4



**FIG. 5**

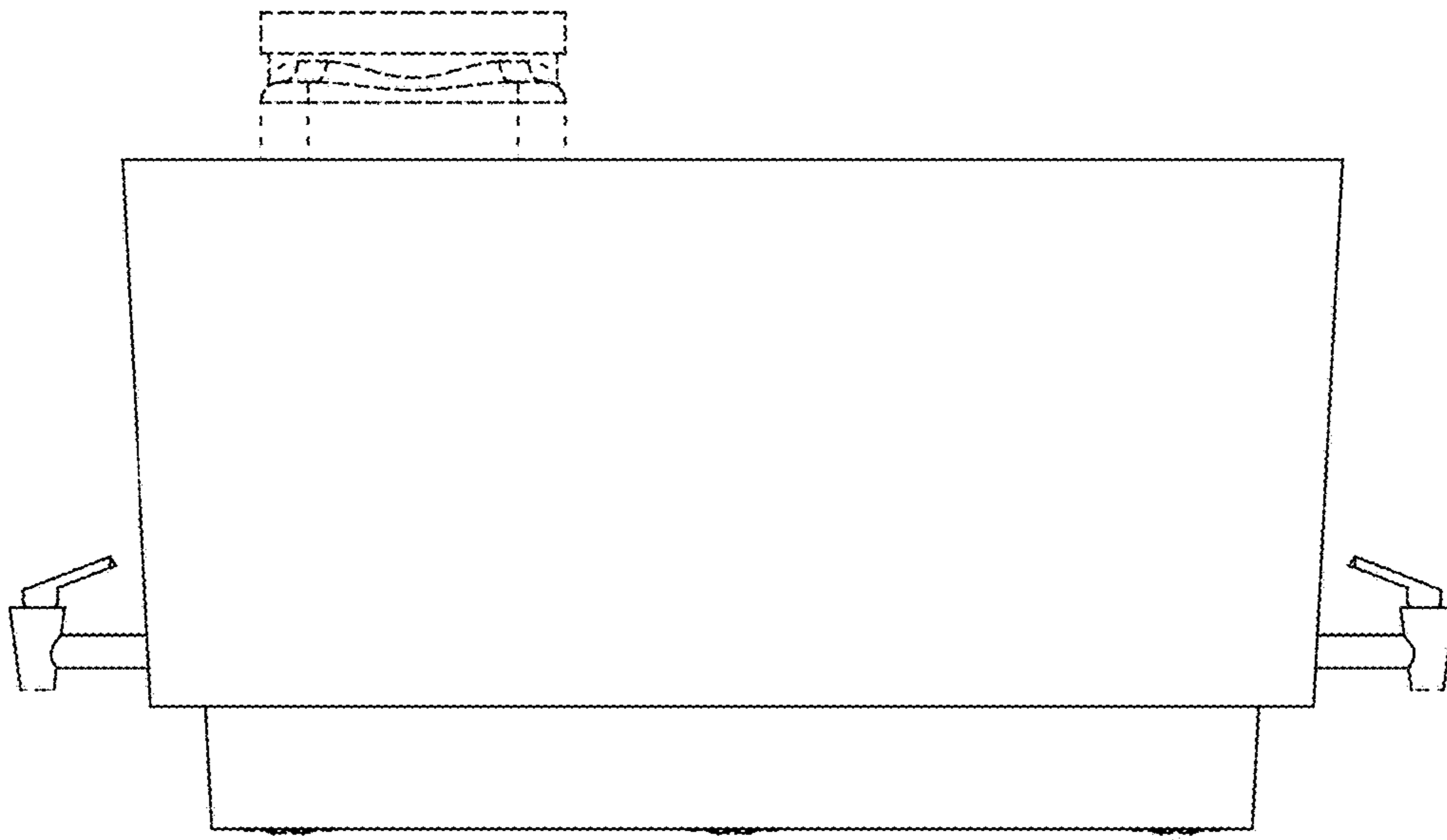


**FIG. 6**



**FIG. 7**





**FIG. 8**

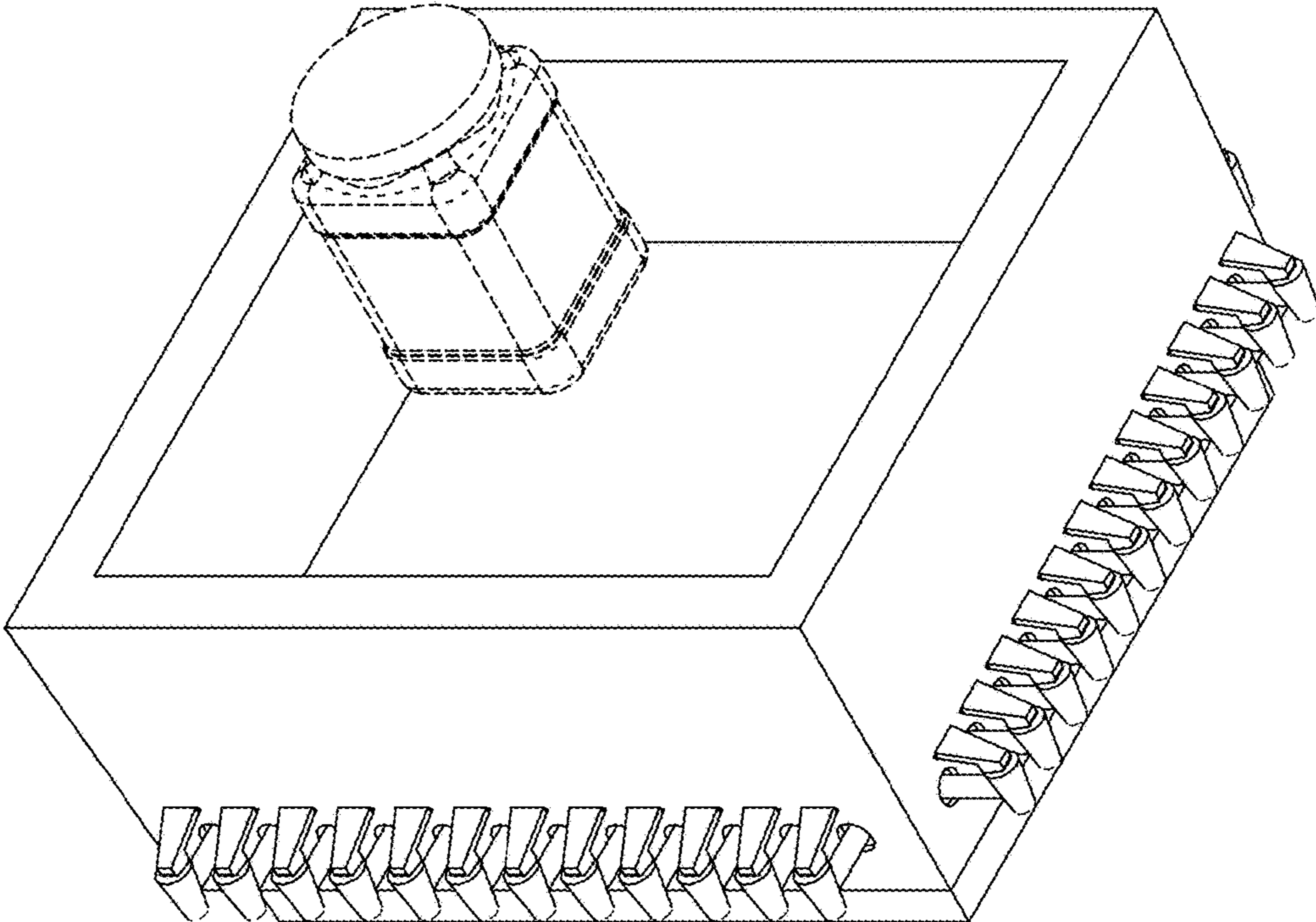
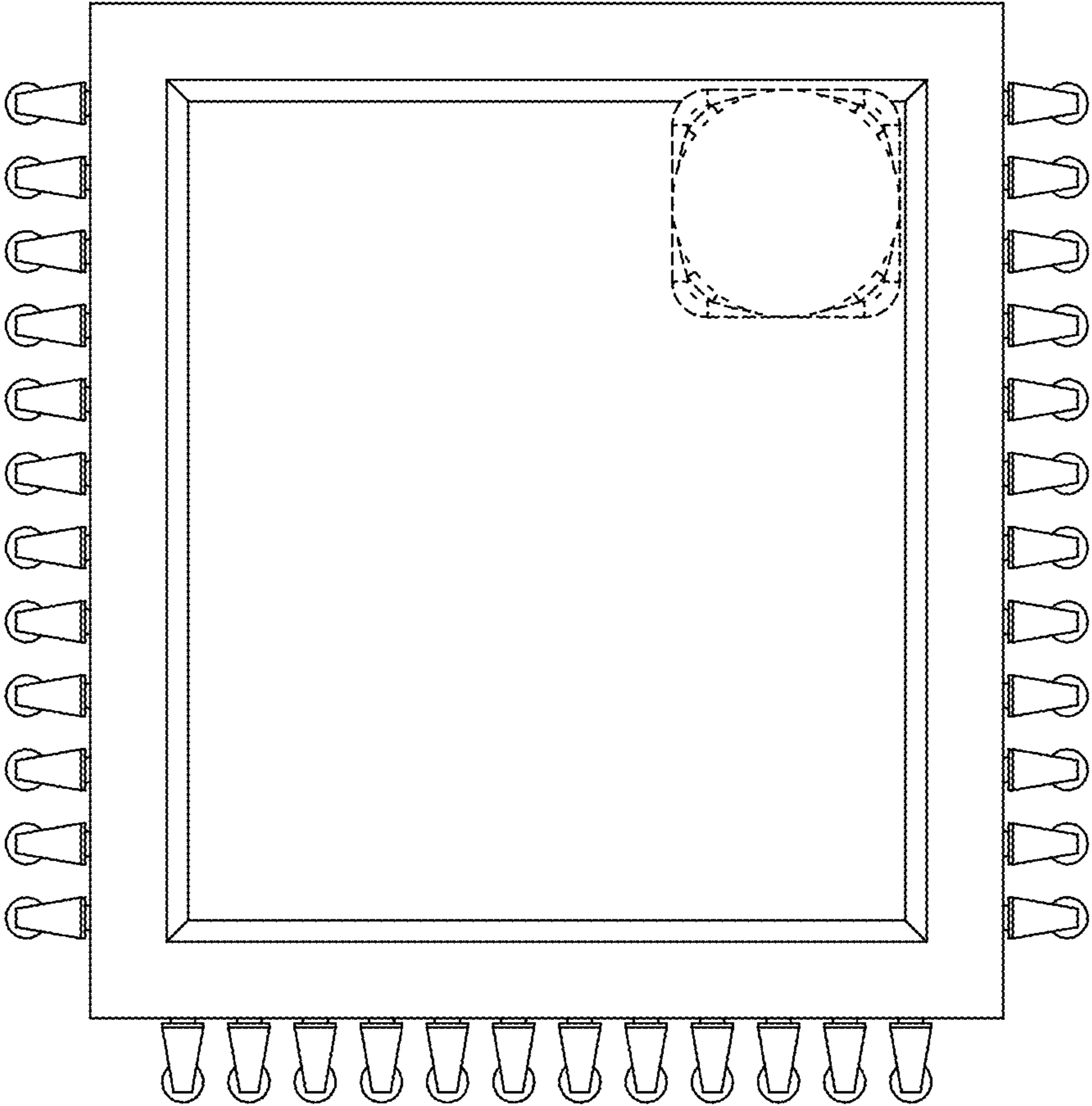
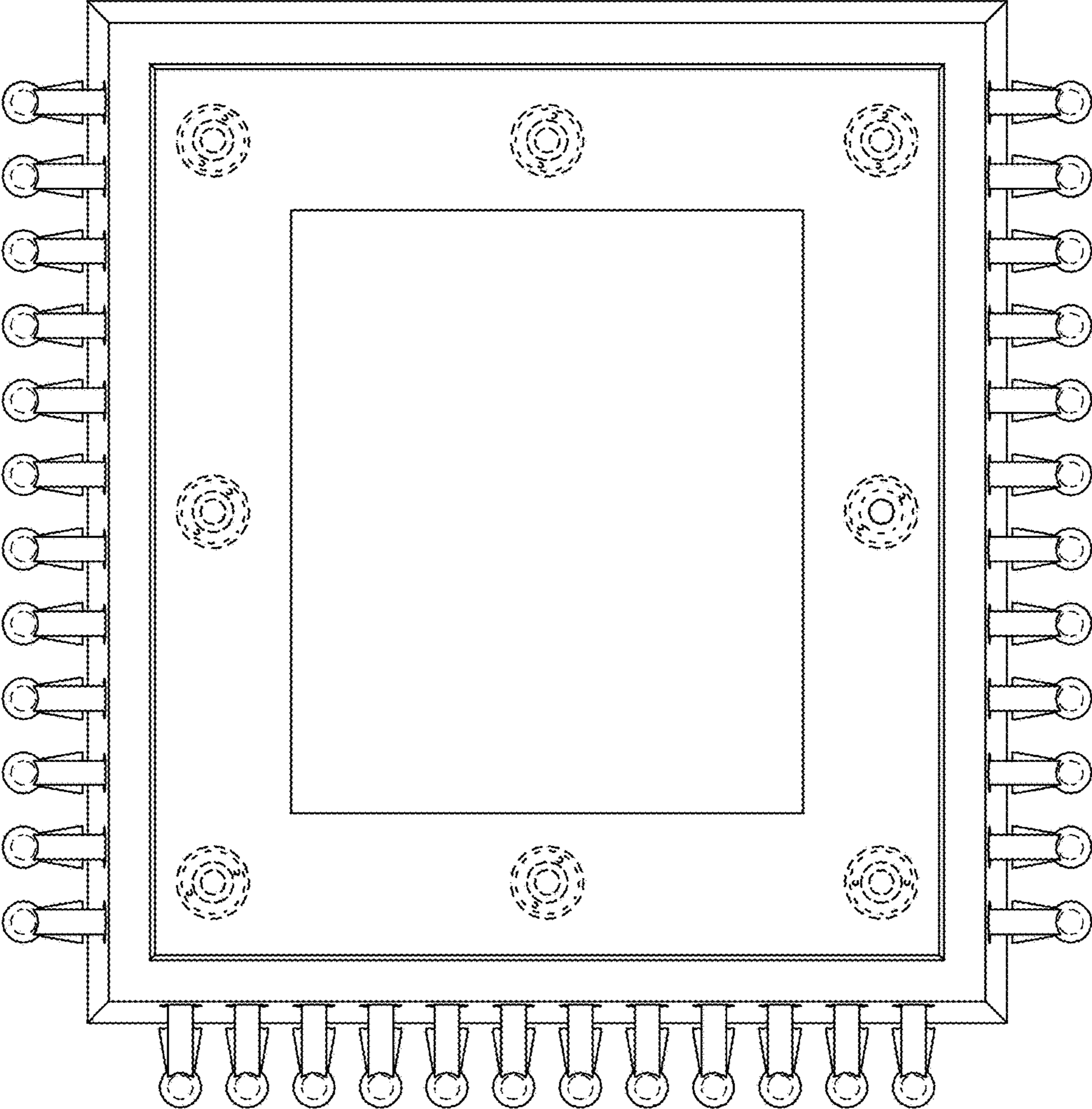


FIG. 9



**FIG. 10**



**FIG. 11**

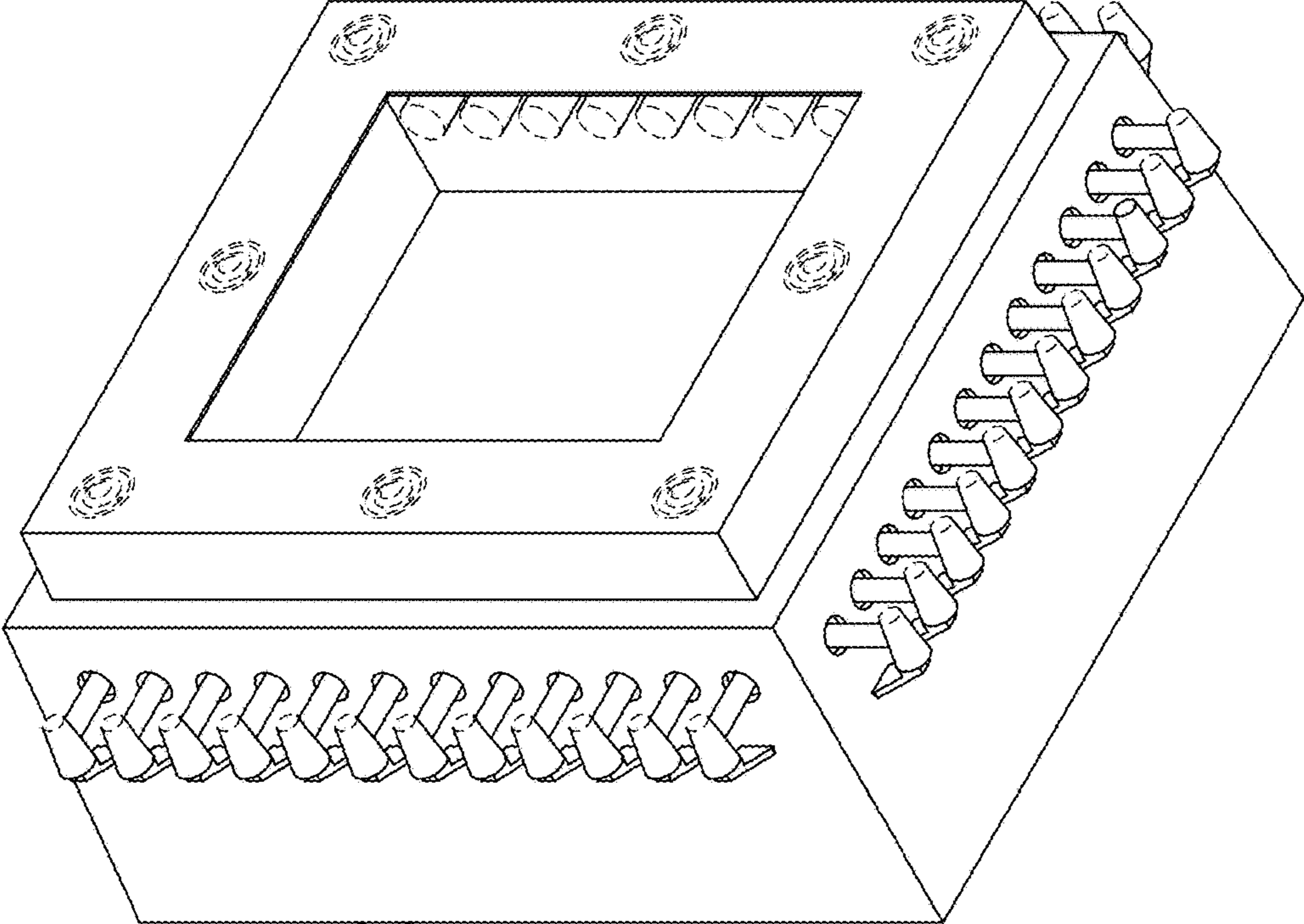
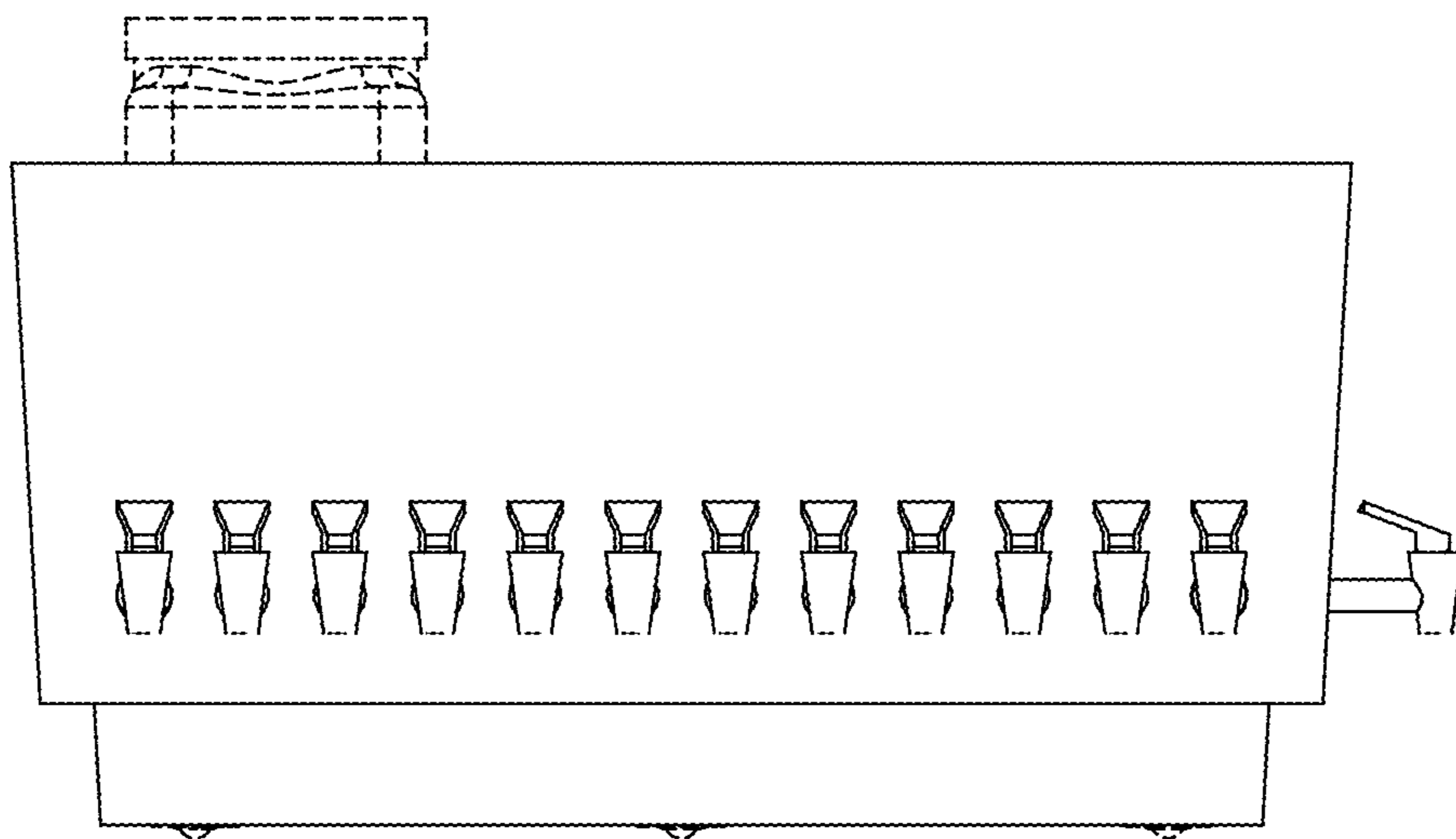
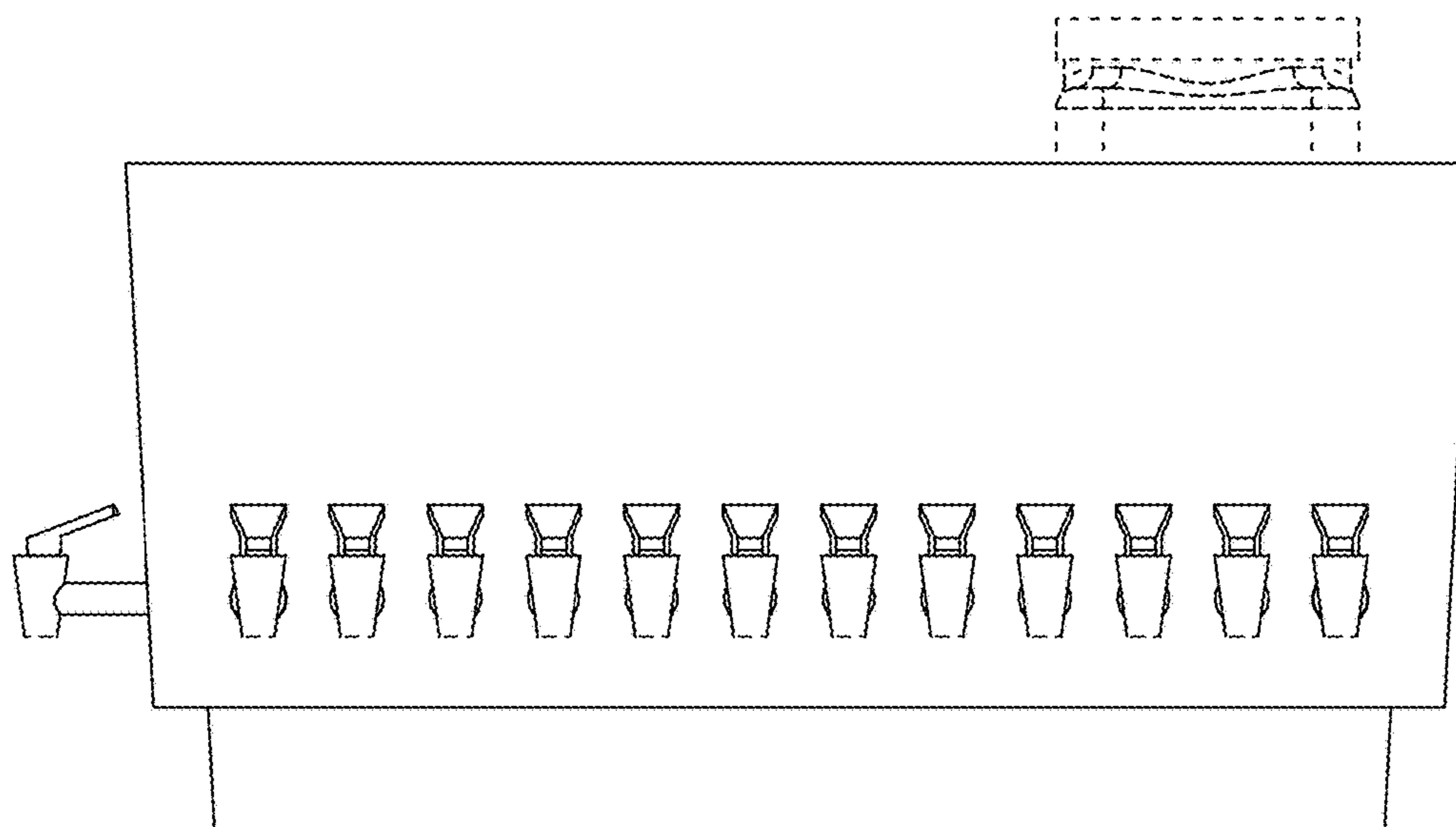


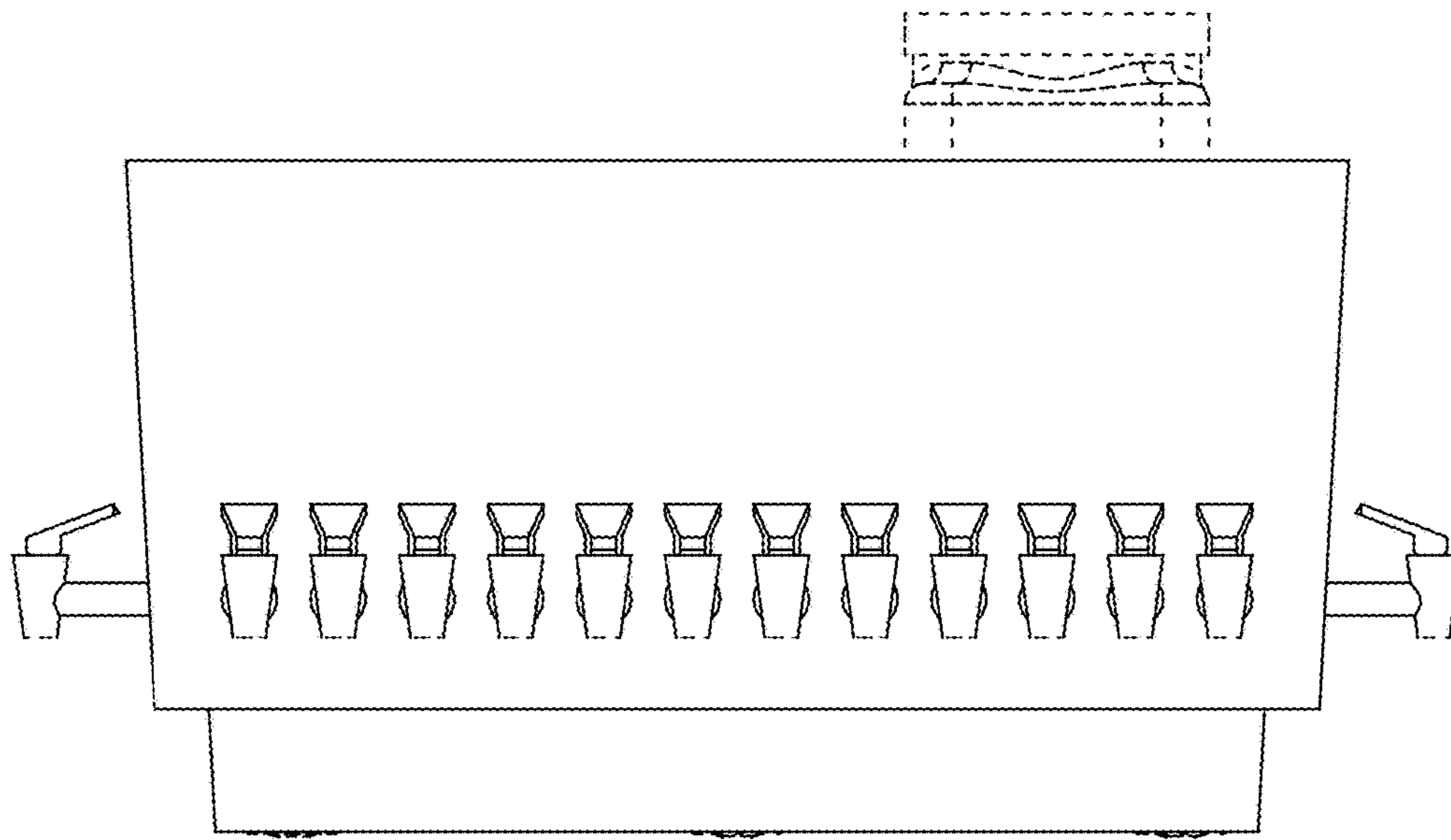
FIG. 12



**FIG. 13**

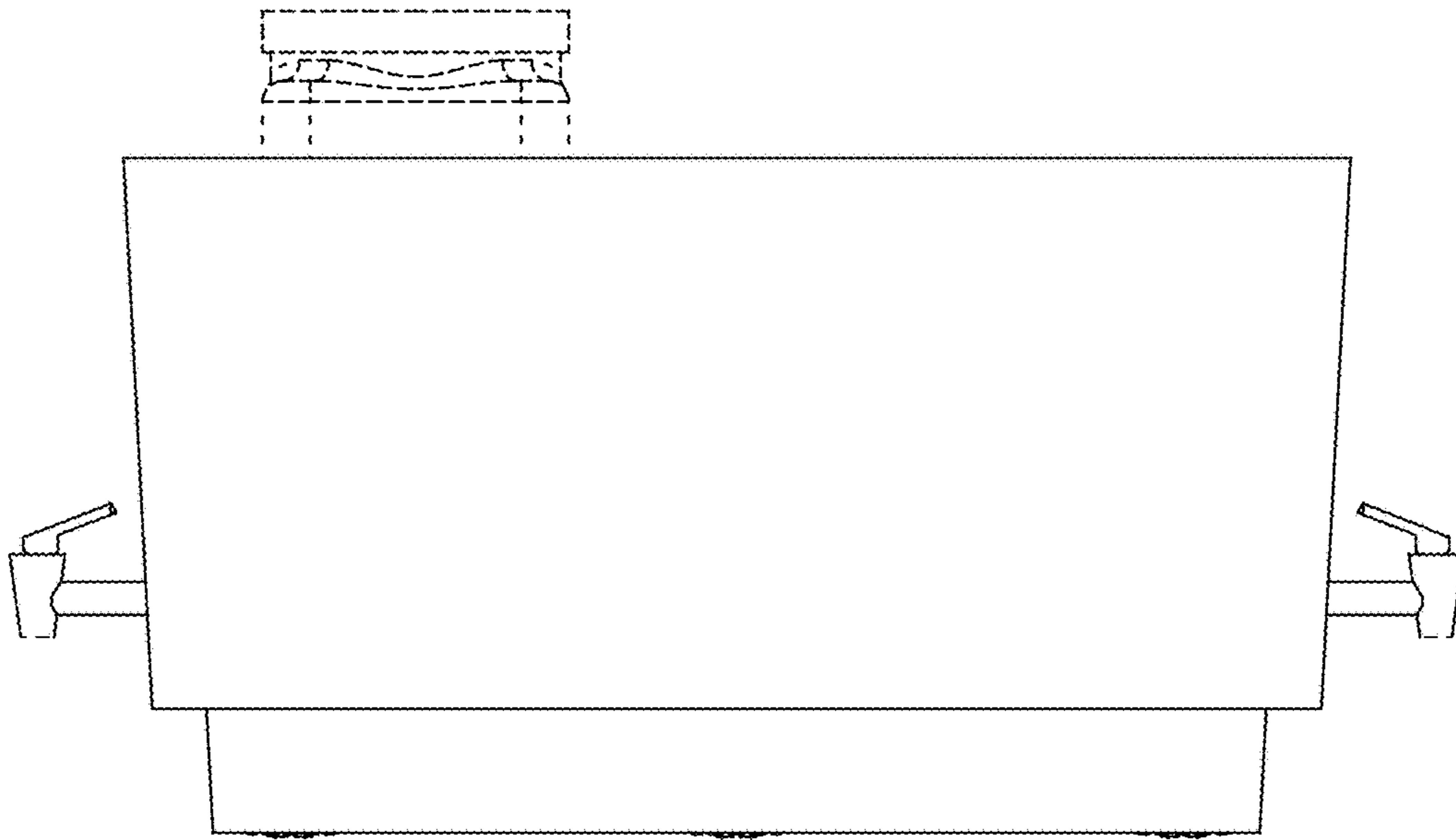


**FIG. 14**



**FIG. 15**





**FIG. 16**