



US00D834871S

(12) **United States Design Patent** (10) **Patent No.:** **US D834,871 S**
Rupp (45) **Date of Patent:** **** Dec. 4, 2018**

(54) **LIQUID DISPENSING SYSTEM**

(71) Applicant: **Snowie LLC**, Salt Lake City, UT (US)
(72) Inventor: **Carl A. Rupp**, Salt Lake City, UT (US)
(73) Assignee: **Snowie LLC**, Salt Lake City, UT (US)
(**) Term: **15 Years**

(21) Appl. No.: **29/584,190**

(22) Filed: **Nov. 11, 2016**

(51) **LOC (11) Cl.** **07-01**

(52) **U.S. Cl.**
USPC **D7/315**

(58) **Field of Classification Search**
USPC D7/305–308, 313, 315, 397–399, 600;
D9/417, 432

CPC B67D 1/0004
See application file for complete search history.

(56) **References Cited**

U.S. PATENT DOCUMENTS

D262,030 S *	11/1981	Reece	D7/308
D411,072 S *	6/1999	Roundtree	D7/307
D411,935 S *	7/1999	Roundtree	D7/307
D463,945 S *	10/2002	Sandor	D7/307
D484,354 S *	12/2003	McDougall	D7/307
8,157,136 B2 *	4/2012	Lamb	B60P 3/0257 222/108
D704,493 S *	5/2014	Tollefson	D7/307
D720,568 S *	1/2015	Klein	D7/307
D732,326 S *	6/2015	Kitano	D7/306
D786,002 S *	5/2017	Archer	D7/306

OTHER PUBLICATIONS

Dispenser| Snowie Cube 8 Station| posted at thesnowconemachine.com, © 2017 [site visited Sep. 8, 2017]. Available from Internet, <URL: https://www.thesnowconemachine.com/snowie-cube-8-flavor-station?gclid=CjwKCAjw_8jNBRB-EiwA96Yp1vm8bw2uQVybxcOcwW0mCQ3vGg3AvEtaLVsDMQ8YFBE0GT0JqWXOXpxoCJfUQAxD_BwE>.*

* cited by examiner

Primary Examiner — Derrick Holland

Assistant Examiner — Andrew Kerr

(74) *Attorney, Agent, or Firm* — Terrence J. Edwards;
TechLaw Ventures, PLLC

(57) **CLAIM**

I claim the ornamental design for a liquid dispensing system, as shown and described.

DESCRIPTION

FIG. 1 is a top perspective view of a liquid dispensing system showing my new design;

FIG. 2 is a top view thereof;

FIG. 3 is a bottom view thereof;

FIG. 4 is a bottom perspective view thereof;

FIG. 5 is a side view thereof;

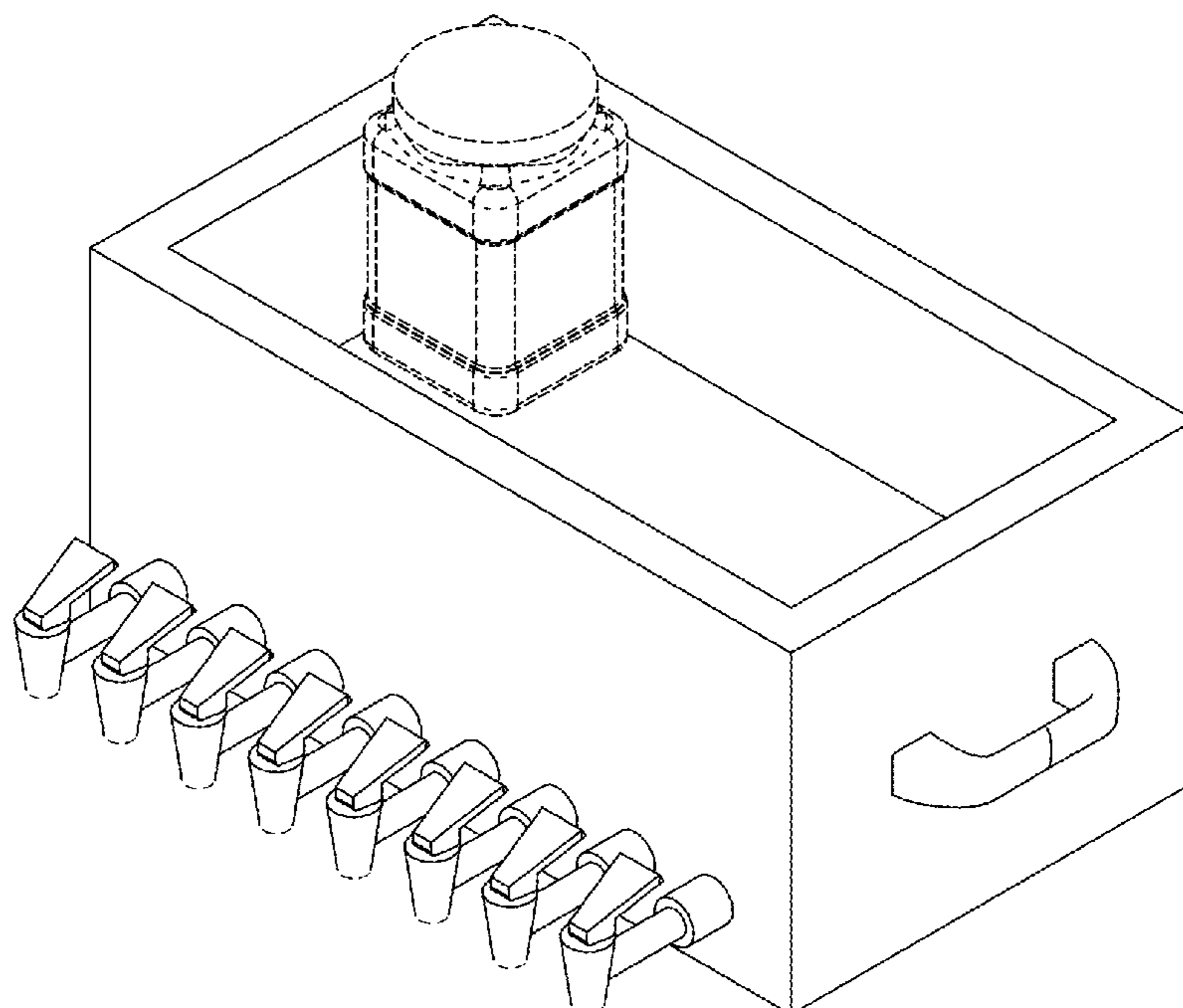
FIG. 6 is another side view thereof;

FIG. 7 is a front view thereof; and,

FIG. 8 is a rear view thereof.

The broken lines in the drawing views represent environmental structure of a liquid dispensing system, and form no part of the claimed design.

1 Claim, 8 Drawing Sheets



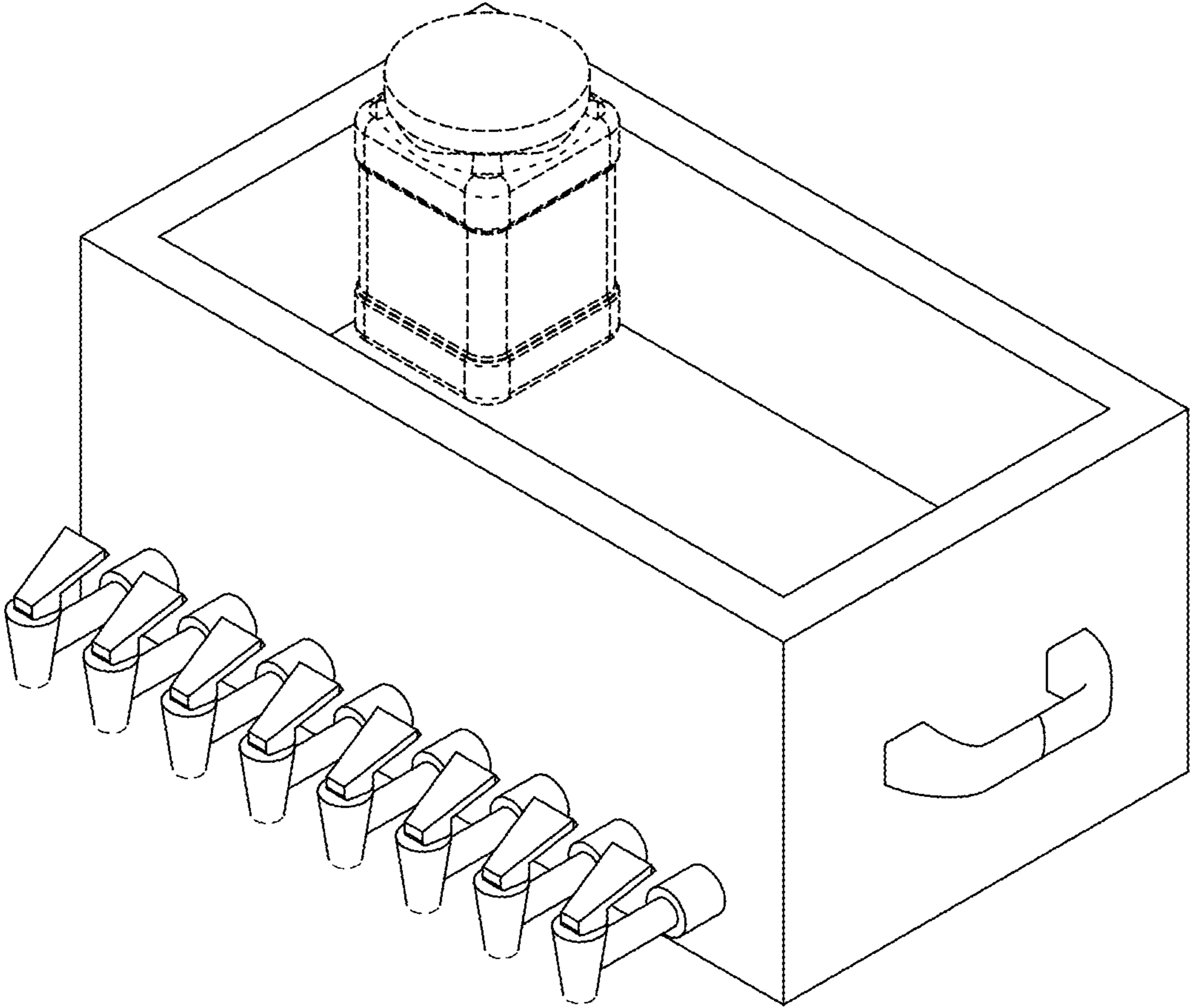


FIG. 1

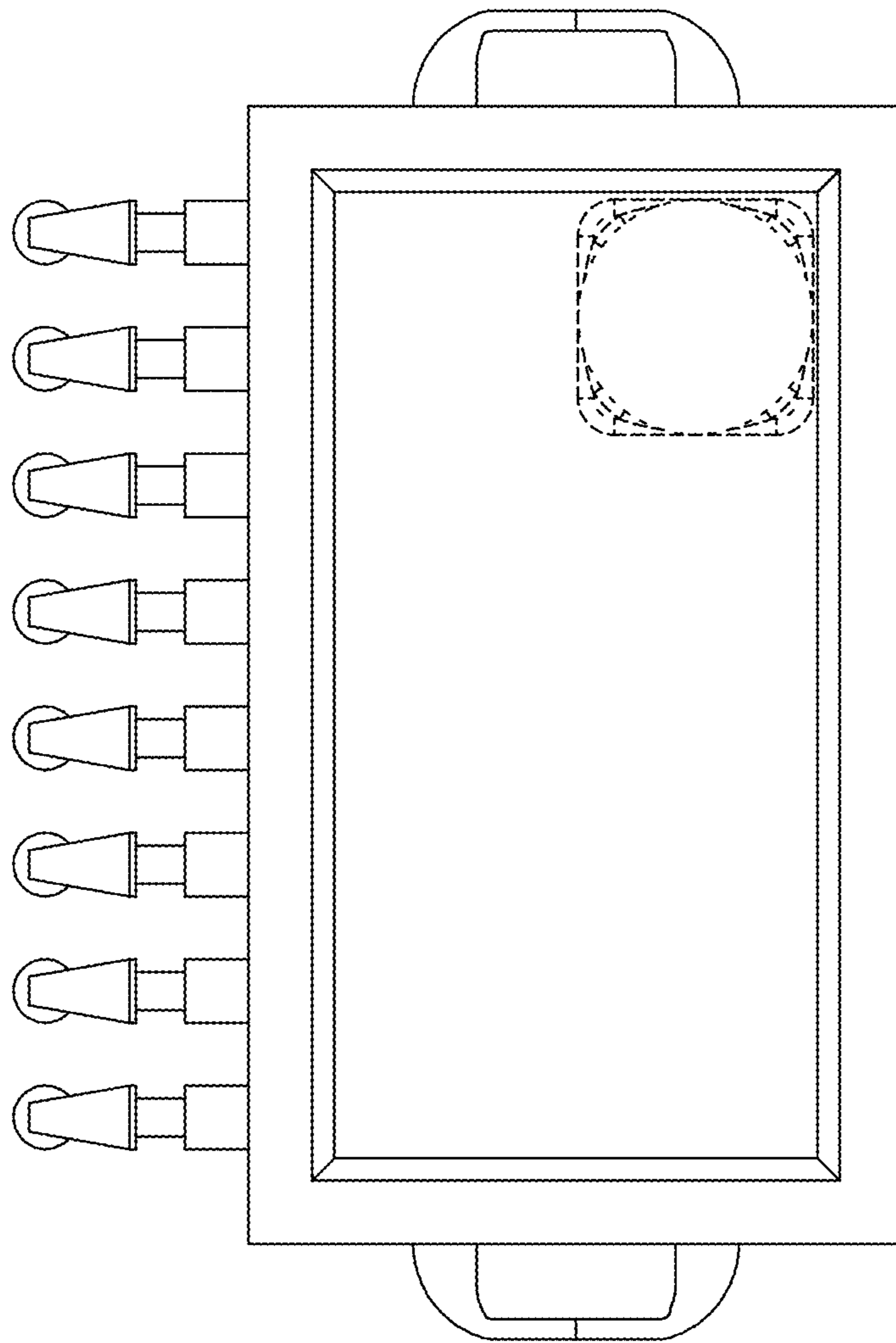


FIG. 2

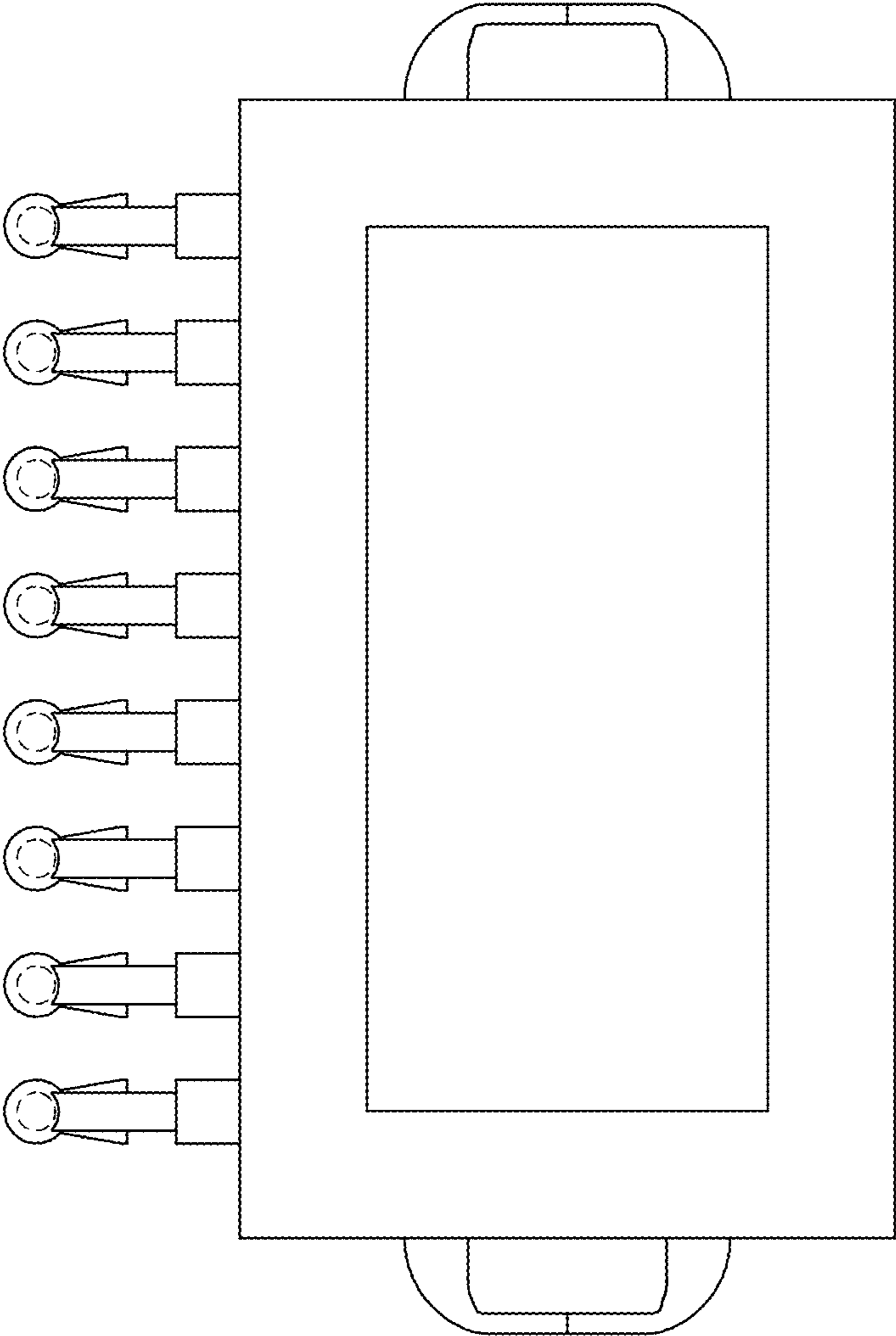


FIG. 3

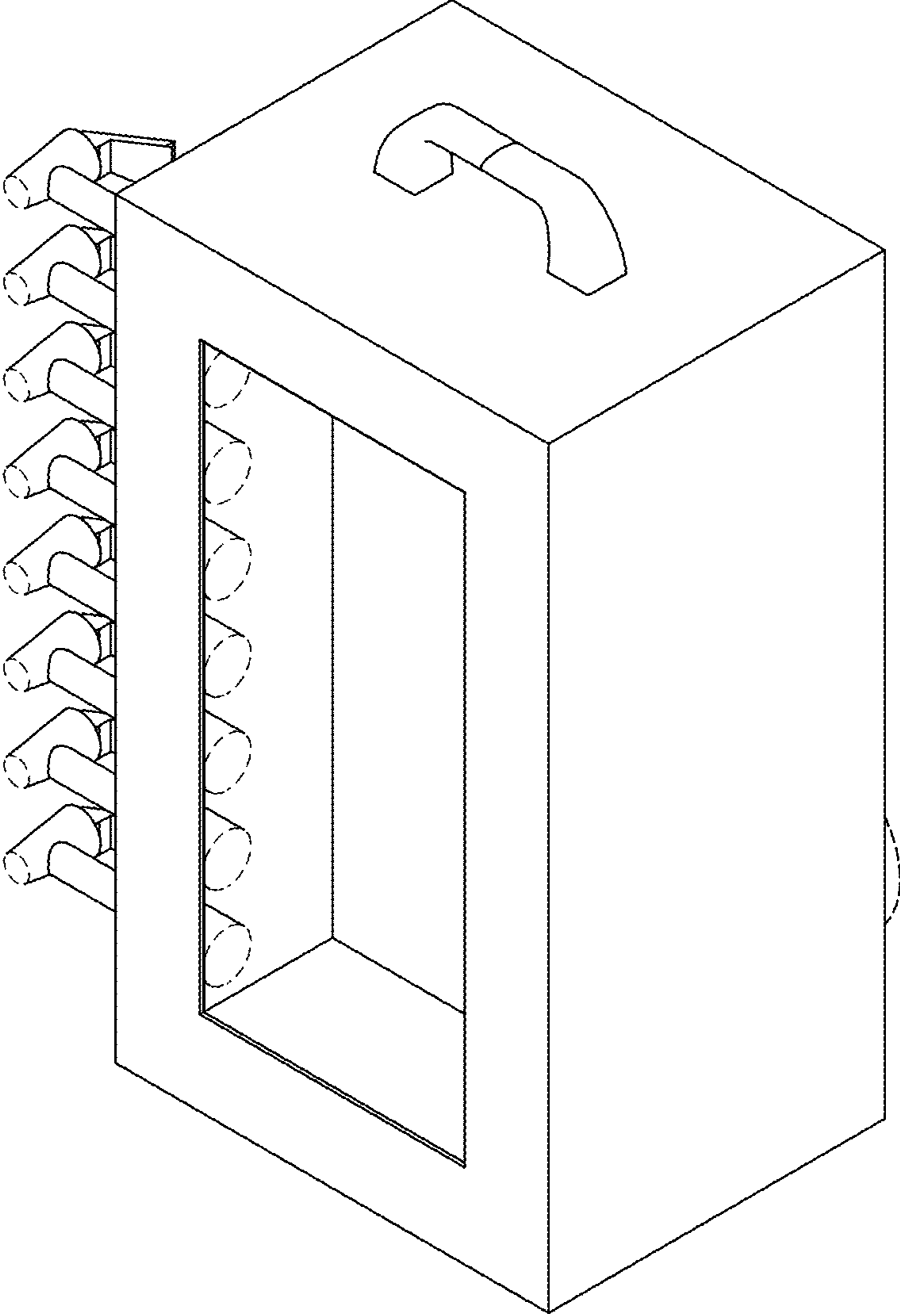


FIG. 4

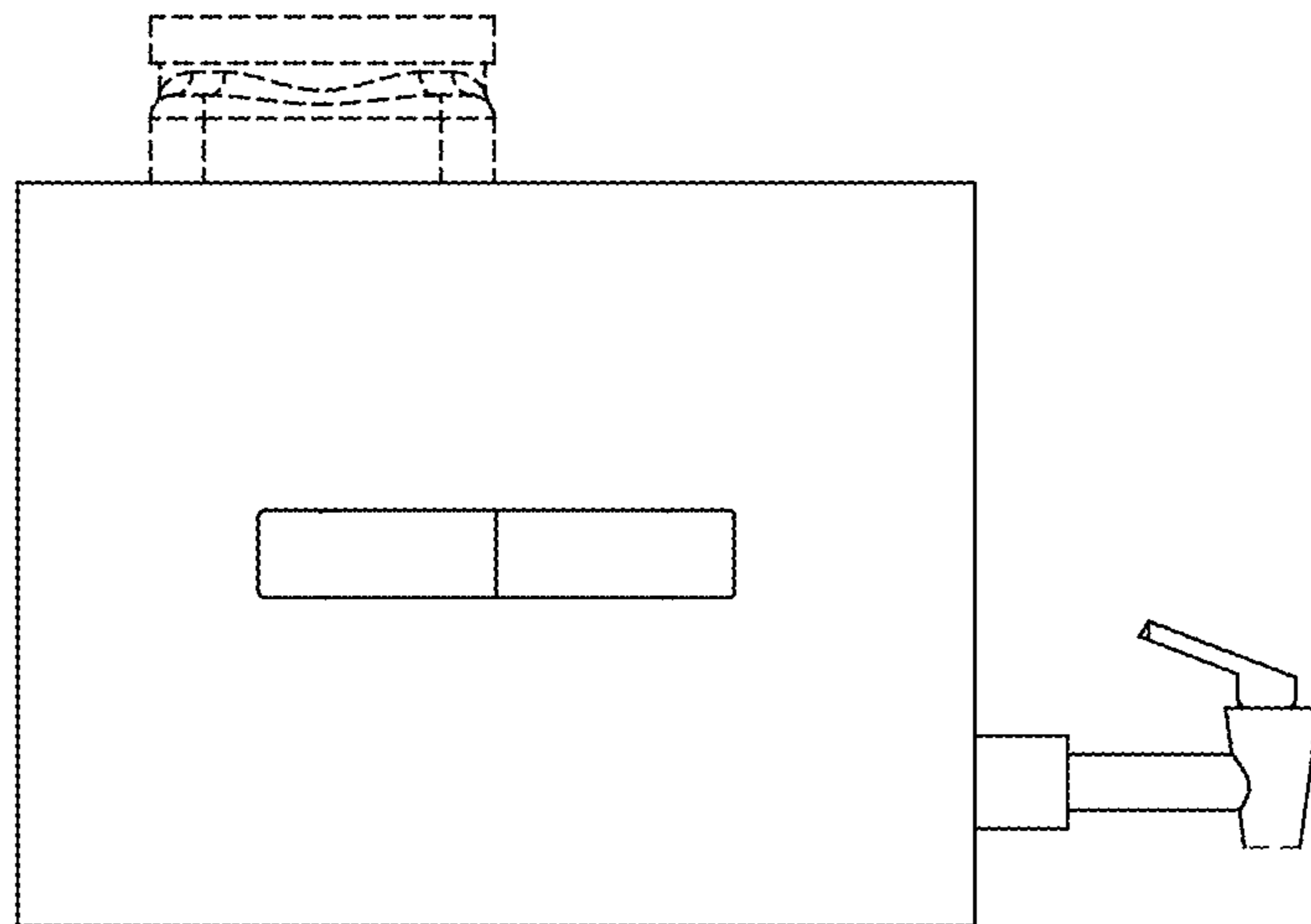


FIG. 5

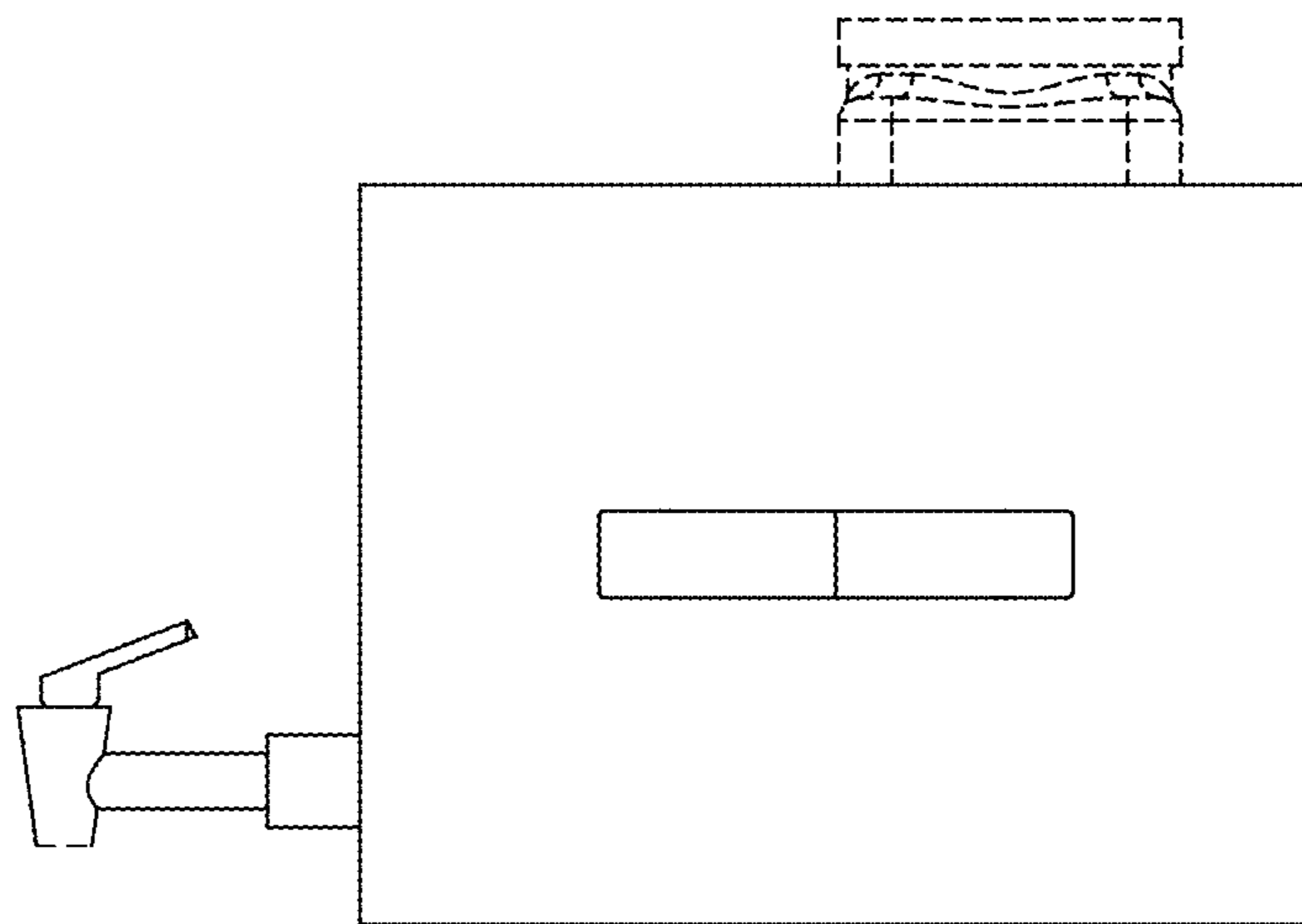


FIG. 6

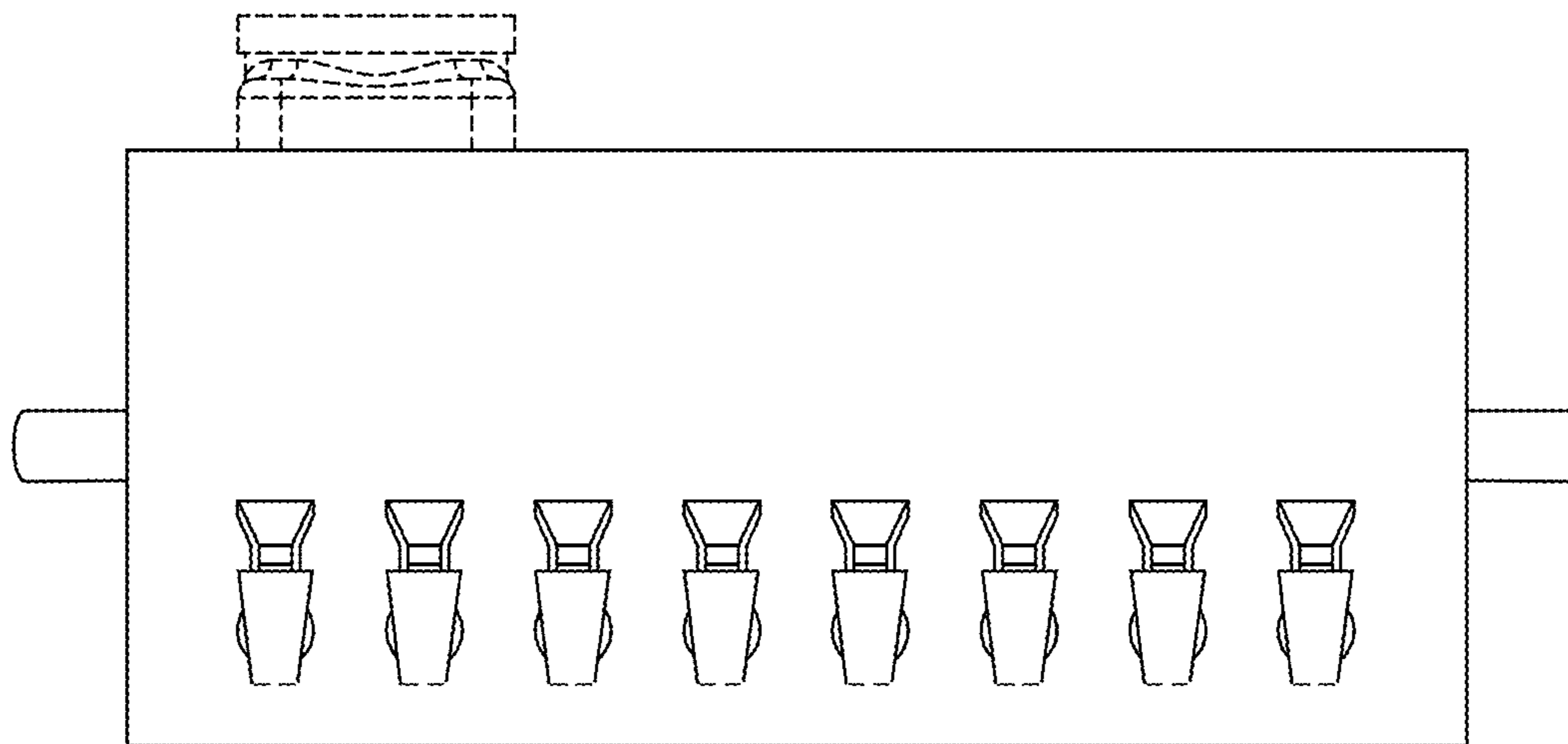


FIG. 7

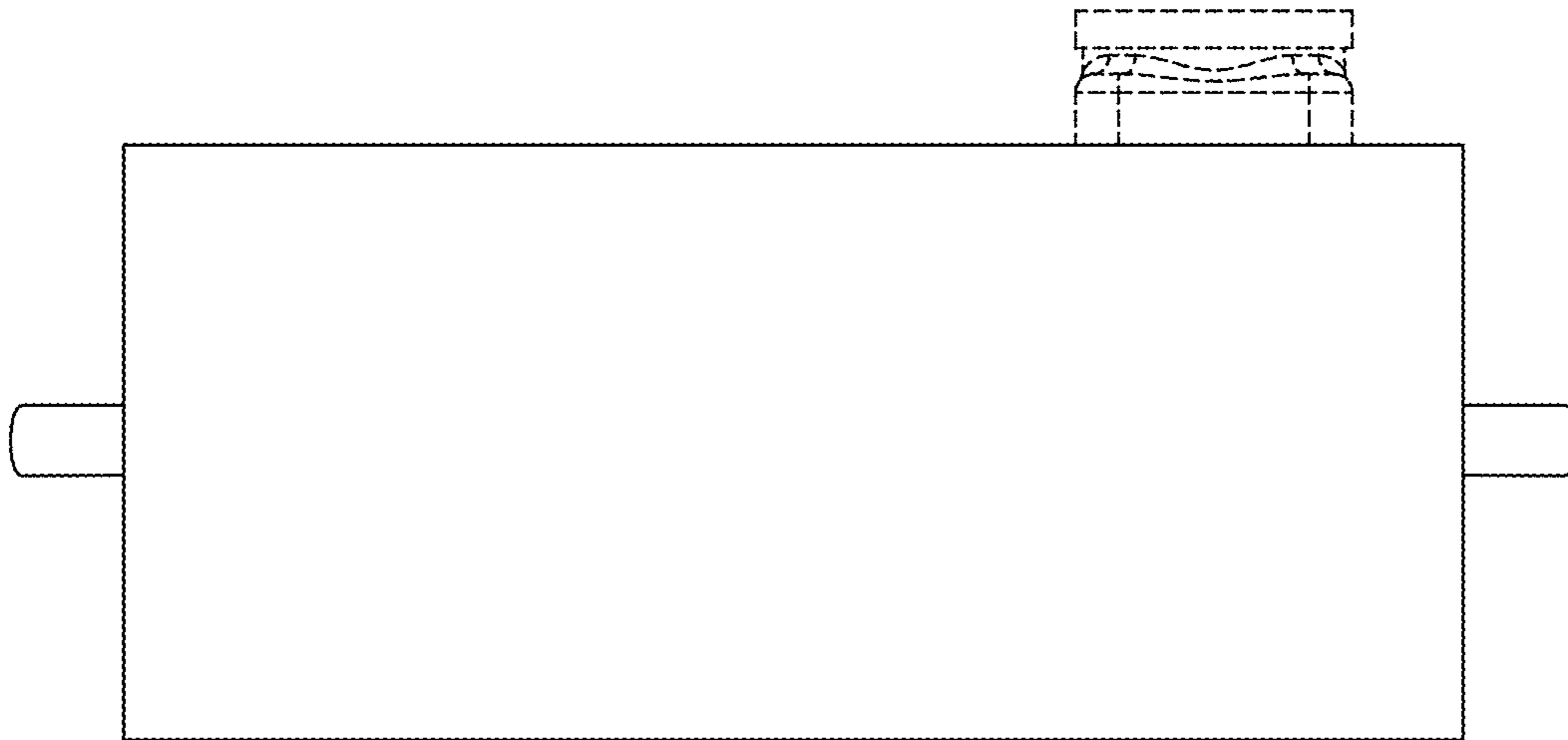


FIG. 8