

US00D834869S

(12) **United States Design Patent** (10) **Patent No.:** **US D834,869 S**  
**Ljungh et al.** (45) **Date of Patent:** **\*\* Dec. 4, 2018**

(54) **KITCHEN APPLIANCE**

(71) Applicant: **Aarke AB**, Stockholm (SE)

(72) Inventors: **Carl Ljungh**, Farsta (SE); **Jonas Groth**, Enskede (SE)

(73) Assignee: **AARKE AB**, Stockholm (SE)

(\*\*) Term: **15 Years**

(21) Appl. No.: **29/597,329**

(22) Filed: **Mar. 16, 2017**

(30) **Foreign Application Priority Data**

Sep. 16, 2016 (EM) ..... 003381383

(51) **LOC (11) Cl.** ..... **07-01**

(52) **U.S. Cl.**  
USPC ..... **D7/306; D7/311**

(58) **Field of Classification Search**  
USPC ..... D7/304, 300, 312, 306-311; D23/201;  
D30/131, 129; 239/29, 28  
CPC ..... A23L 2/54; B01F 3/04801  
See application file for complete search history.

(56) **References Cited**

U.S. PATENT DOCUMENTS

D207,526 S \* 4/1967 Martin ..... D7/311  
D220,579 S \* 4/1971 Wickenberg ..... D7/309  
3,592,125 A \* 7/1971 Tolmie ..... A47J 31/0573  
392/467  
D240,386 S \* 7/1976 Albeau ..... D7/309  
D243,141 S \* 1/1977 Mantelet ..... D7/309  
4,082,123 A \* 4/1978 Haythornthwaite .....  
B01F 13/0033  
141/64  
D276,021 S \* 10/1984 Mabb ..... D7/300  
4,481,986 A \* 11/1984 Meyers ..... B01F 13/0033  
141/113  
D278,200 S \* 4/1985 Dahlberg ..... D23/209

4,610,282 A \* 9/1986 Brooks ..... B01F 3/04801  
141/46  
D293,544 S \* 1/1988 Dole ..... D23/205  
4,721,034 A \* 1/1988 Shimomura ..... A47J 31/047  
99/280  
D331,522 S \* 12/1992 Littmann ..... D7/309  
D421,871 S \* 3/2000 Klosinski ..... D7/309  
D489,214 S \* 5/2004 Noda ..... D7/309  
D495,914 S \* 9/2004 Drolette, Jr. .... D7/306  
D588,852 S \* 3/2009 Stein ..... D7/301  
D610,857 S \* 3/2010 Pateman ..... D7/306  
D644,471 S \* 9/2011 Fiori ..... D7/306  
D650,625 S \* 12/2011 Fiori ..... D7/306  
D702,475 S \* 4/2014 Dalton ..... D7/306  
8,888,073 B2 \* 11/2014 Leung ..... A23L 2/54  
261/38  
D718,972 S \* 12/2014 Jorgensen ..... D7/309  
9,302,229 B2 \* 4/2016 Leung ..... A23L 2/54  
D793,791 S \* 8/2017 McDonald ..... D7/306  
D812,972 S \* 3/2018 Braunschweig ..... D7/398  
D816,383 S \* 5/2018 Liang ..... D7/310  
2016/0199795 A1 \* 7/2016 Thangamuthu ..... A23L 2/54  
261/61

\* cited by examiner

*Primary Examiner* — Marianne Pandozzi  
(74) *Attorney, Agent, or Firm* — Buchanan Ingersoll & Rooney PC

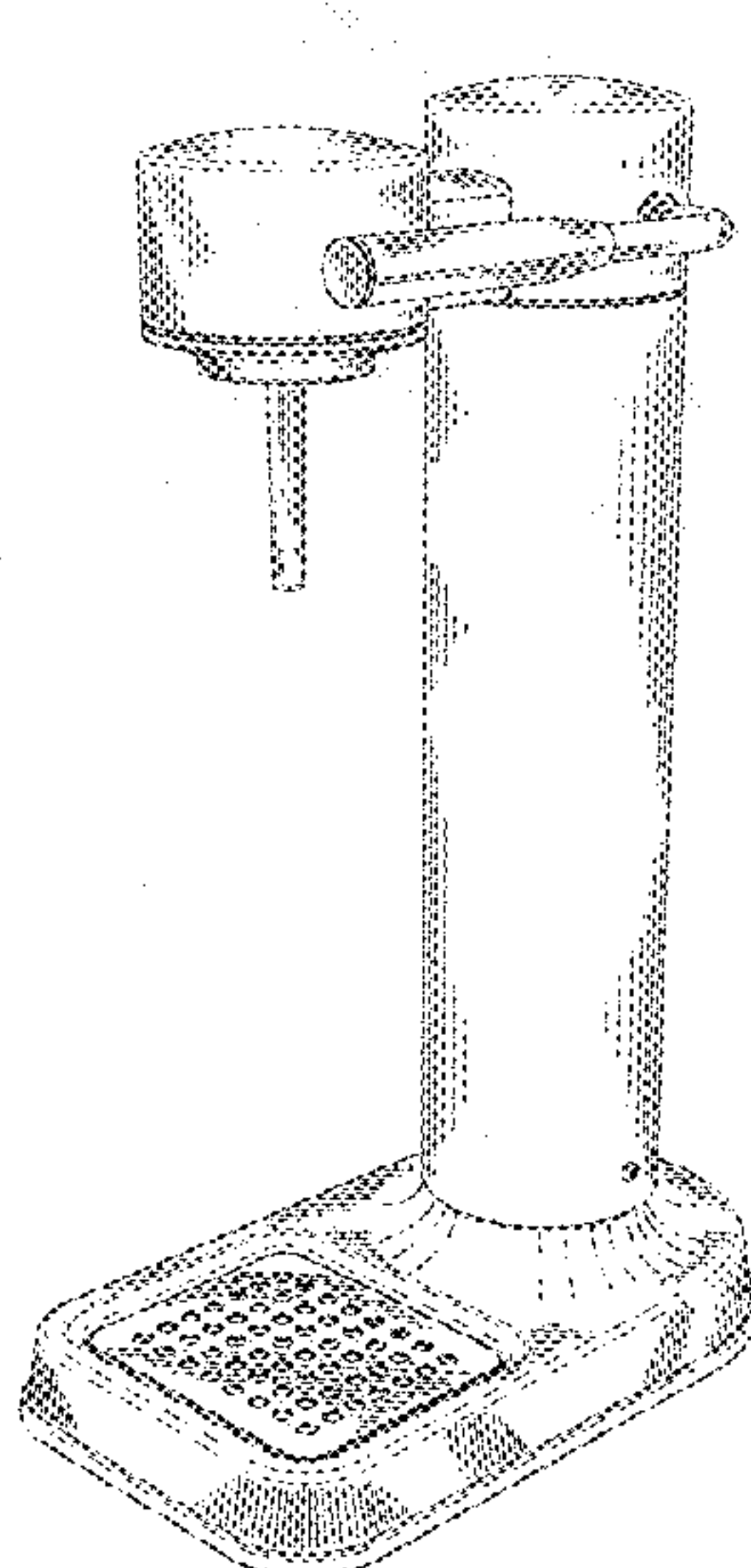
(57) **CLAIM**

The ornamental design for a kitchen appliance, as shown and described.

**DESCRIPTION**

FIG. 1 is a front, side and top perspective view of a kitchen appliance showing our new design.  
FIG. 2 is a front elevational view thereof.  
FIG. 3 is a rear elevational view thereof.  
FIG. 4 is a left side elevational view thereof.  
FIG. 5 is a right side elevational view thereof; and,  
FIG. 6 is a top plan view thereof.

**1 Claim, 6 Drawing Sheets**



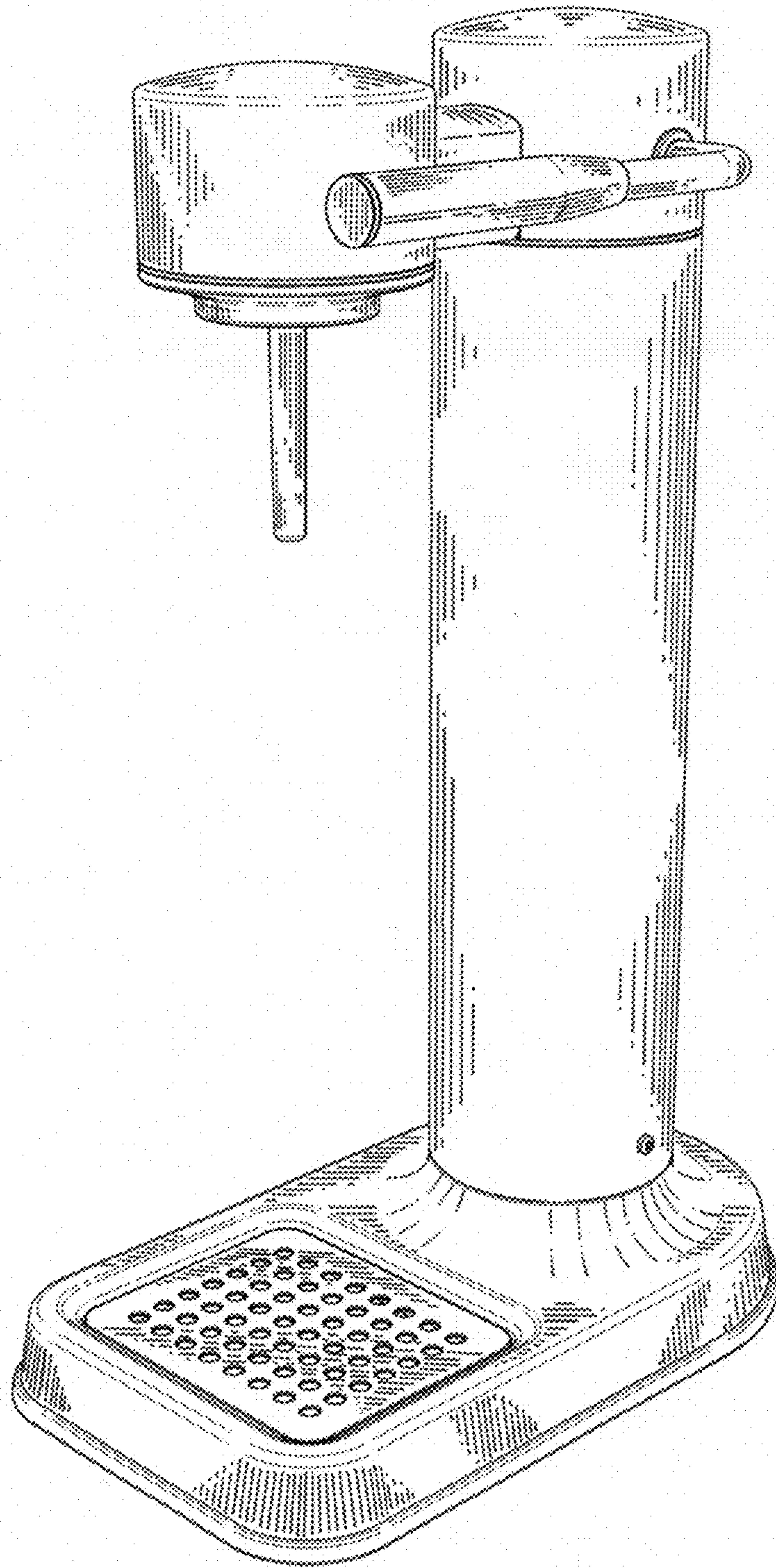


FIG. 1

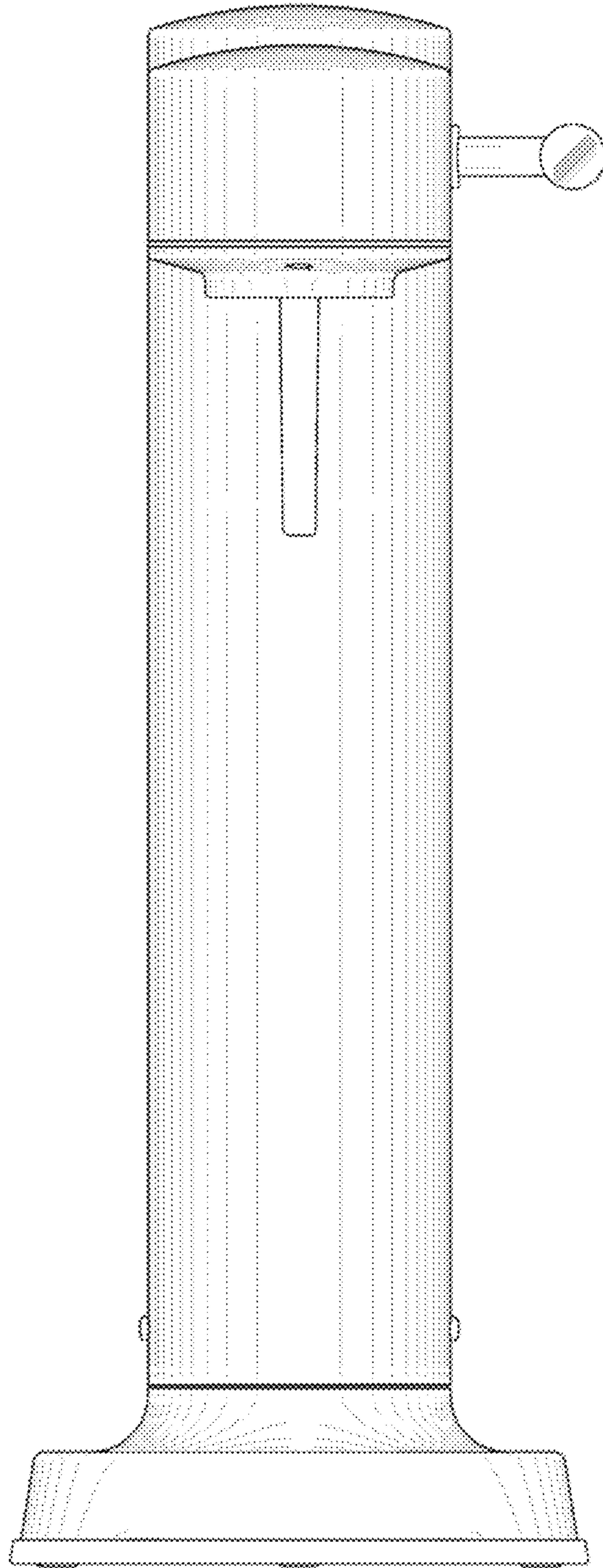


FIG. 2



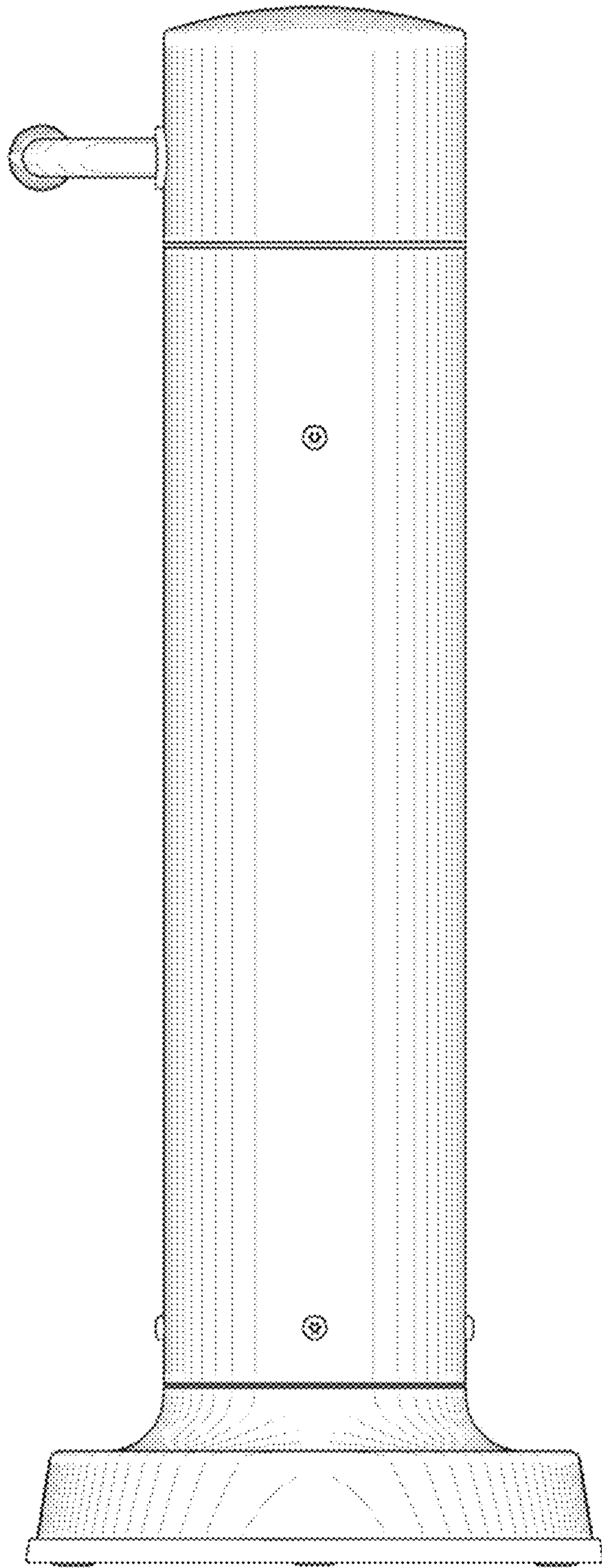


FIG. 3

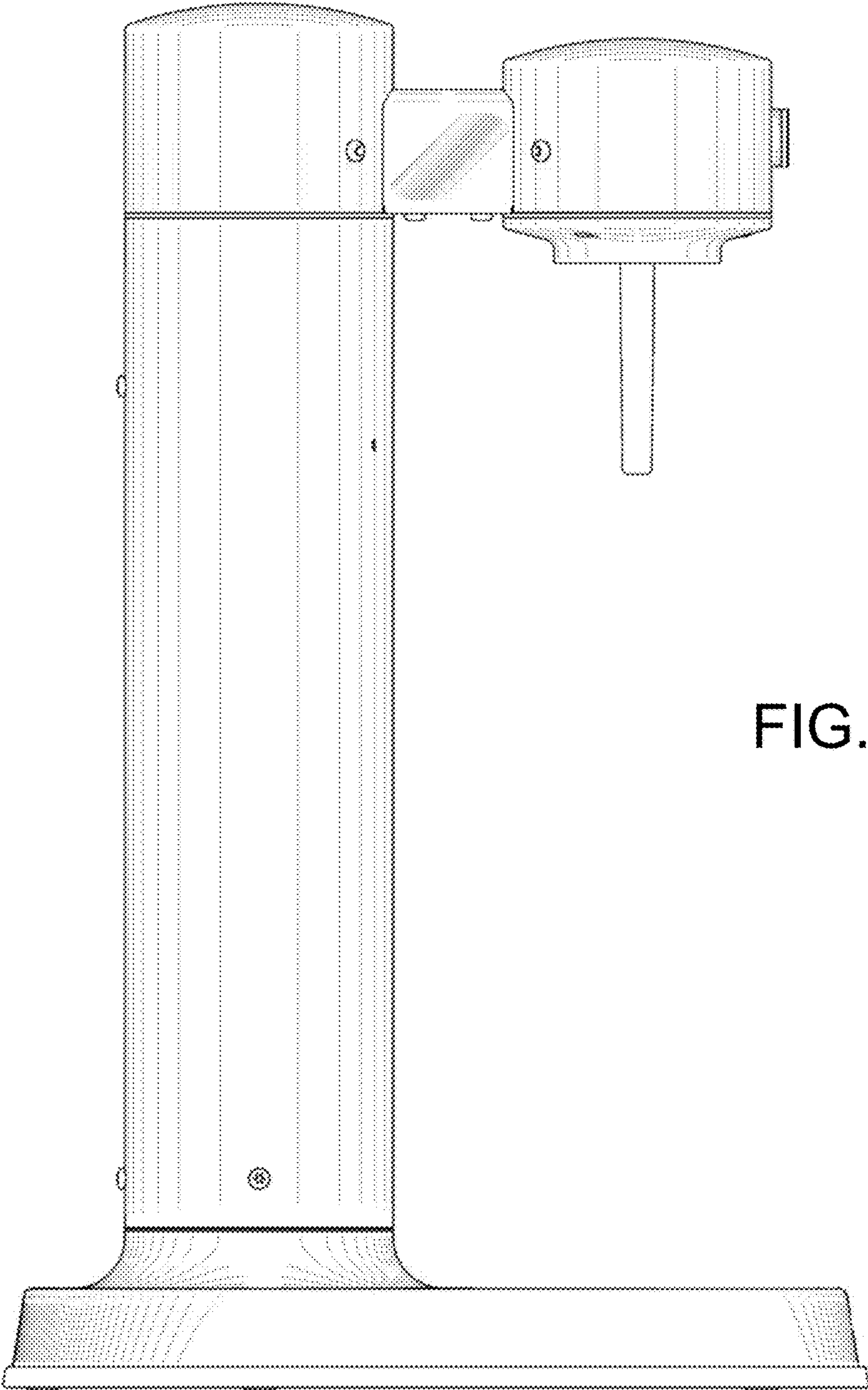


FIG. 4

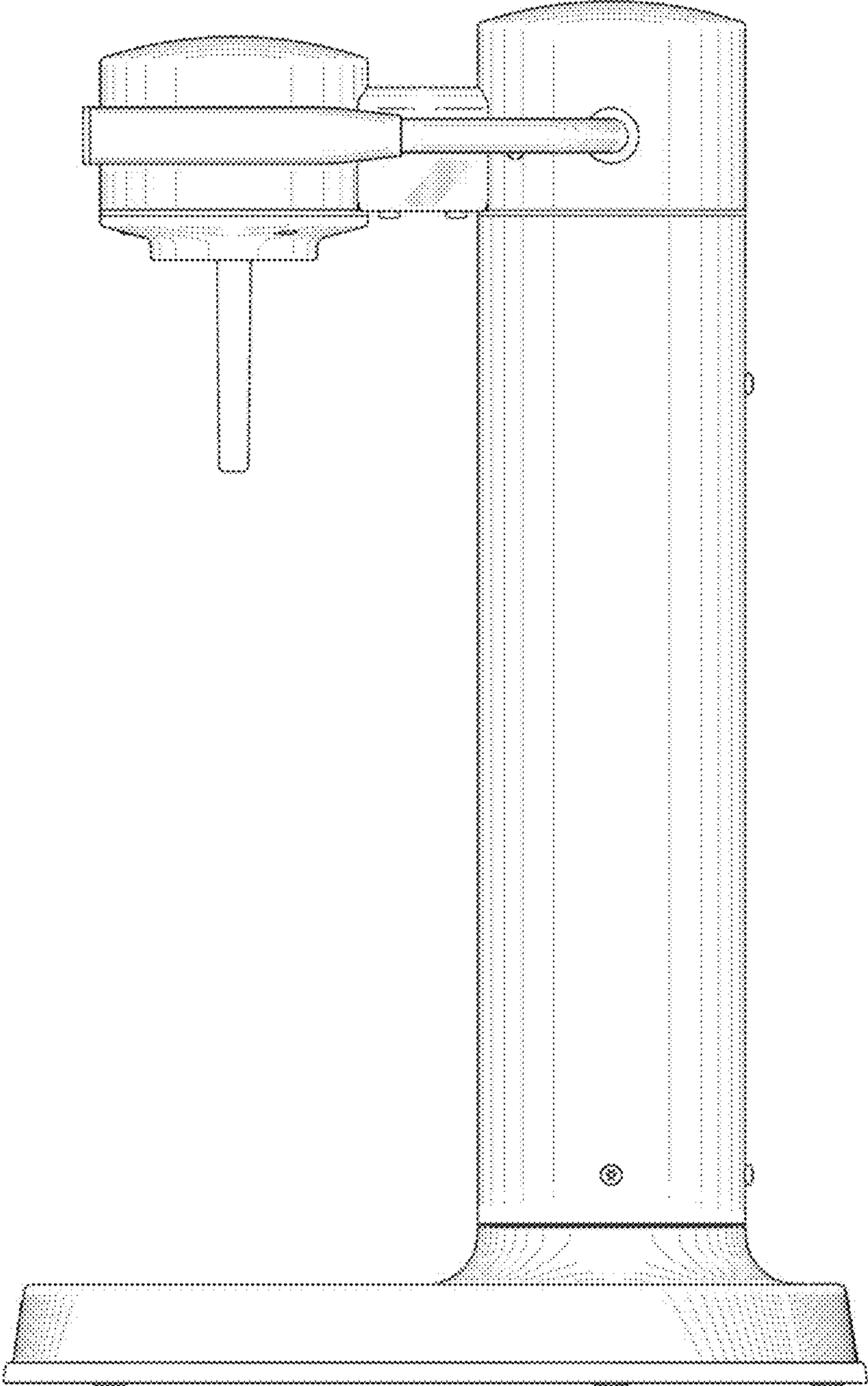


FIG. 5

FIG. 6

