



US00D834866S

(12) **United States Design Patent**  
**Wu**

(10) **Patent No.:** **US D834,866 S**  
(45) **Date of Patent:** **\*\* Dec. 4, 2018**

- (54) **PARTIAL DESIGN OF CHAIR**
- (71) Applicant: **W. K. WU PRODUCTS INC.**, New Taipei (TW)
- (72) Inventor: **Harrison Wu**, New Taipei (TW)
- (73) Assignee: **W. K. WU PRODUCTS INC.**, New Taipei (TW)
- (\*\*) Term: **15 Years**
- (21) Appl. No.: **29/578,721**
- (22) Filed: **Sep. 23, 2016**
- (51) **LOC (11) Cl.** ..... **06-01**
- (52) **U.S. Cl.**  
USPC ..... **D6/716; D6/368**
- (58) **Field of Classification Search**  
USPC ..... D6/334-336, 368, 371, 372, 373, 374, D6/375, 379, 716, 716.1, 716.2, 716.3, D6/716.4, 708.16  
CPC .. A47C 4/02; A47C 4/021; A47C 4/28; A47C 4/30; A47C 4/42; A47C 4/48; A47C 5/04; A47C 5/06; A47C 5/10  
See application file for complete search history.

- (56) **References Cited**  
U.S. PATENT DOCUMENTS
- 3,656,808 A \* 4/1972 Chang ..... A47C 5/06 297/285
- 4,290,643 A \* 9/1981 Logan, 3rd. .... A47C 4/42 297/16.2
- 5,496,094 A \* 3/1996 Schwartzkopf ..... A47C 4/48 248/164
- 6,447,057 B1 \* 9/2002 Chen ..... A47C 4/02 297/16.2
- 6,702,371 B2 \* 3/2004 Zheng ..... A47C 4/02 297/16.1

- 6,932,425 B1 \* 8/2005 Tseng ..... A47C 4/42 297/46
- 6,938,951 B1 \* 9/2005 Tseng ..... A47C 4/48 297/16.1
- 6,957,852 B1 \* 10/2005 Hsieh ..... A47C 4/48 297/19
- 7,011,372 B1 \* 3/2006 Hsieh ..... A47C 4/02 297/16.1
- 7,011,374 B1 \* 3/2006 Hsieh ..... A47C 5/04 297/440.11
- 7,178,864 B2 \* 2/2007 Hsieh ..... A47C 5/06 297/228.11
- D555,378 S \* 11/2007 Tsai ..... D6/368
- D691,384 S \* 10/2013 Akkad ..... D6/368
- 8,801,090 B2 \* 8/2014 Akkad ..... A47C 4/48 297/46
- D712,185 S \* 9/2014 Akkad ..... D6/716
- D716,574 S \* 11/2014 Akkad ..... D6/368

(Continued)

*Primary Examiner* — Mimosa De  
(74) *Attorney, Agent, or Firm* — Muncy, Geissler, Olds & Lowe, P.C.

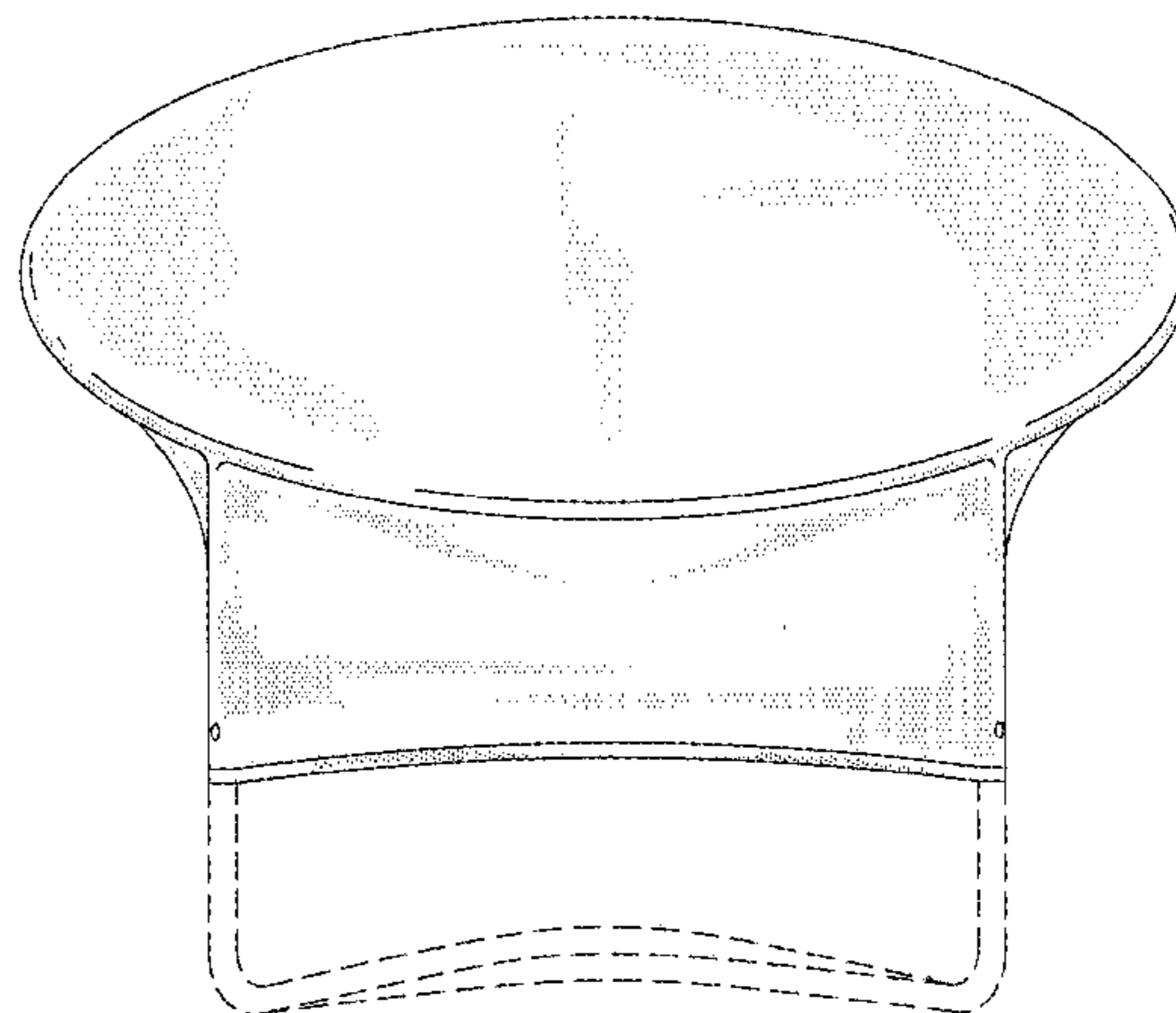
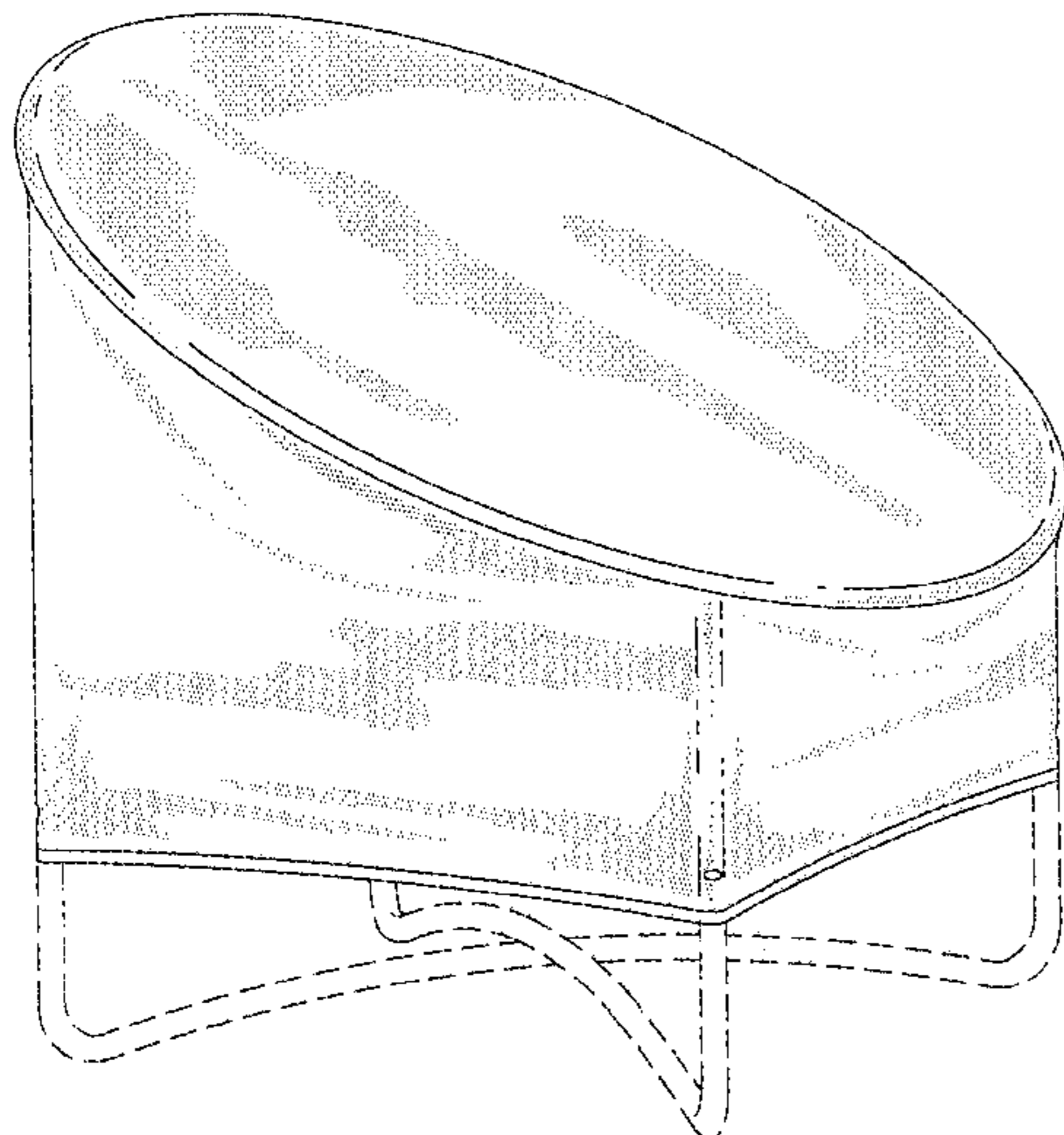
(57) **CLAIM**

The ornamental design for a partial design of chair, as shown and described.

**DESCRIPTION**

FIG. 1 is a perspective view of “partial design of chair” showing my new design.  
FIG. 2 is a front elevation view of “partial design of chair”.  
FIG. 3 is a rear elevation view of “partial design of chair”.  
FIG. 4 is a left side elevation view of “partial design of chair”.  
FIG. 5 is a right side elevation view of “partial design of chair”.  
FIG. 6 is a top plan view of “partial design of chair”; and,  
FIG. 7 is a bottom plan view of “partial design of chair”.

**1 Claim, 7 Drawing Sheets**



(56)

**References Cited**

U.S. PATENT DOCUMENTS

D720,550 S *	1/2015	Akkad .....	D6/368
D755,549 S	5/2016	Akkad	
D756,141 S *	5/2016	Akkad .....	D6/368
D761,031 S *	7/2016	Frankel .....	D6/368
D761,581 S *	7/2016	Frankel .....	D6/368

\* cited by examiner

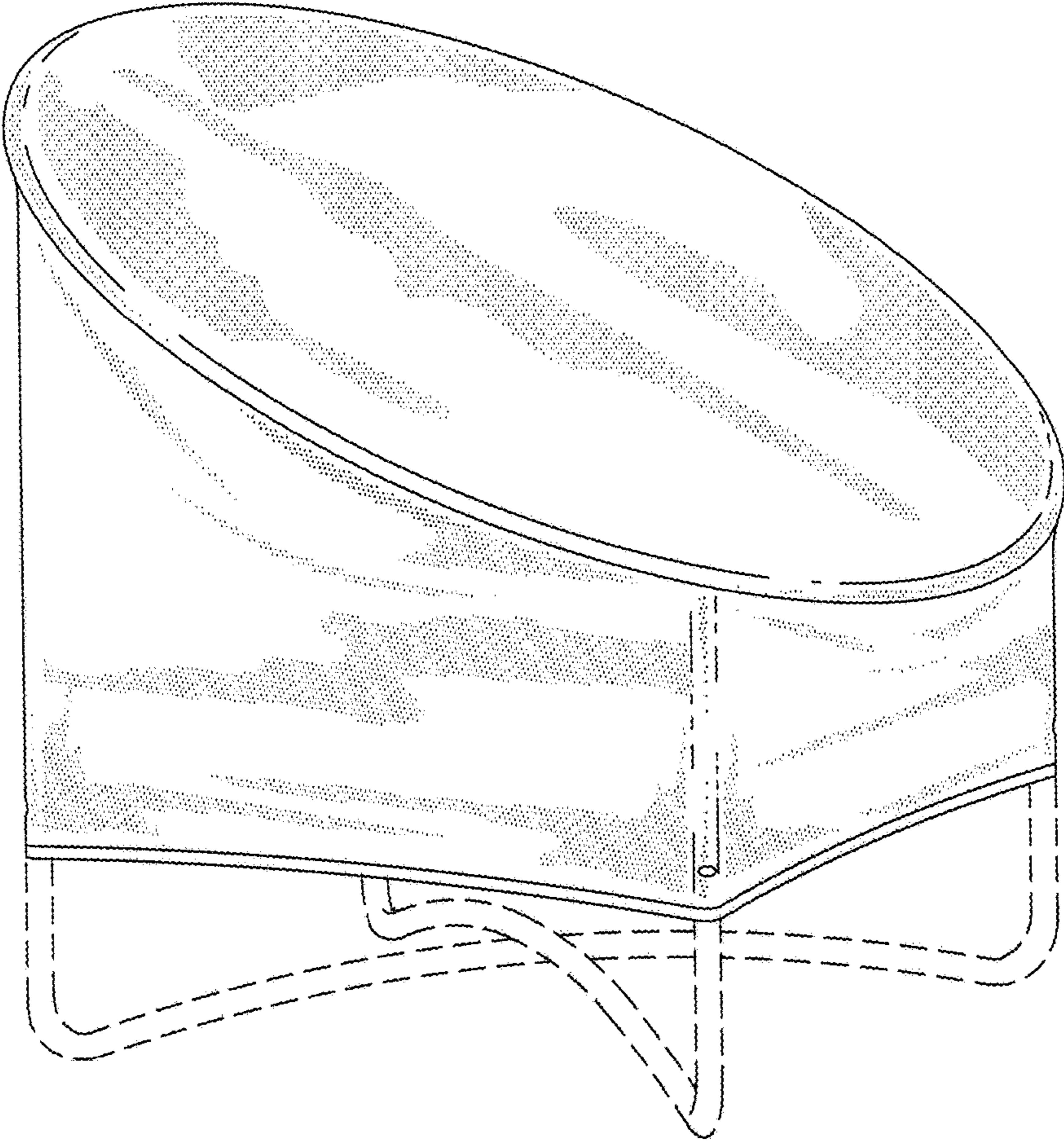


FIG. 1

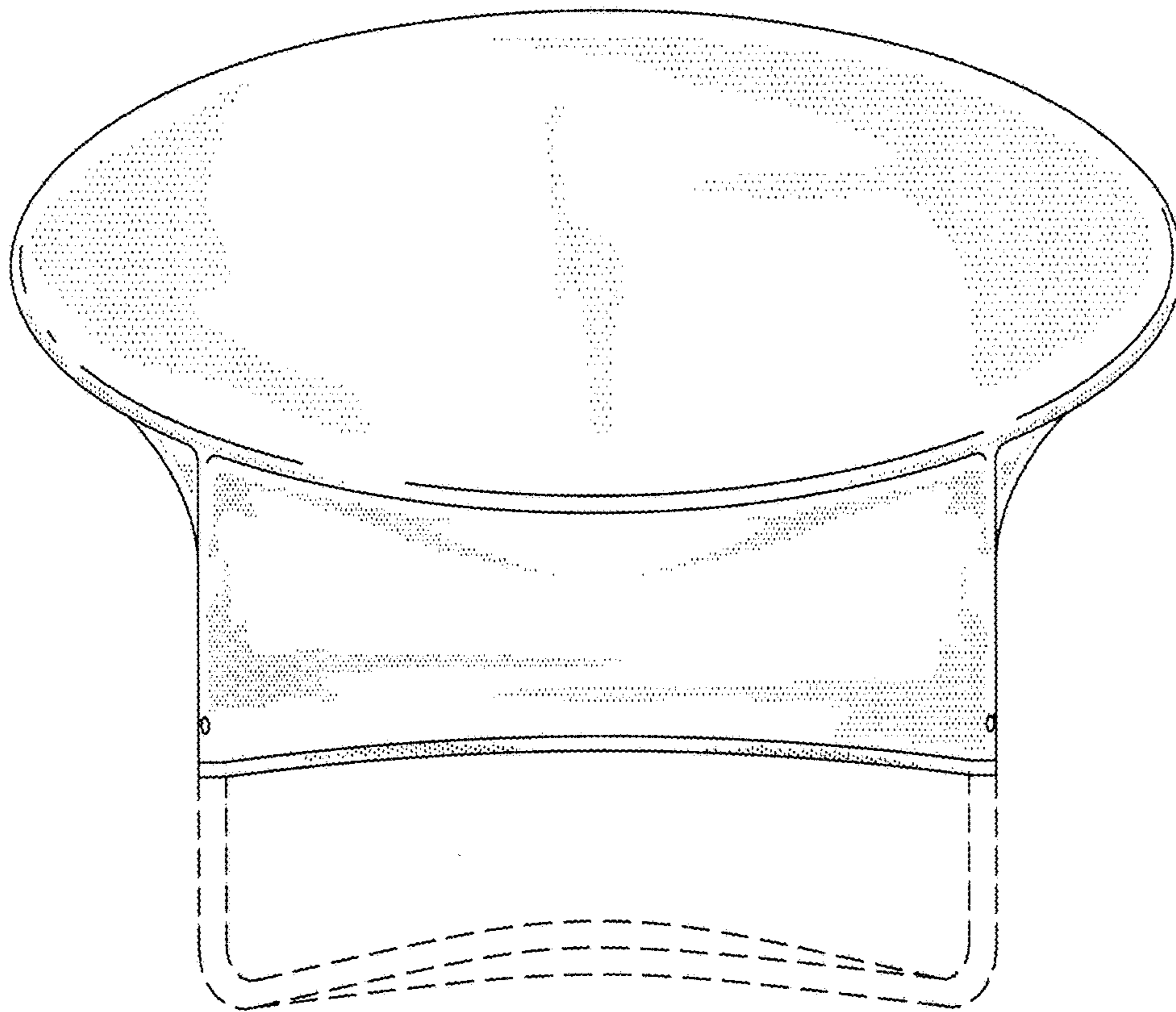


FIG. 2

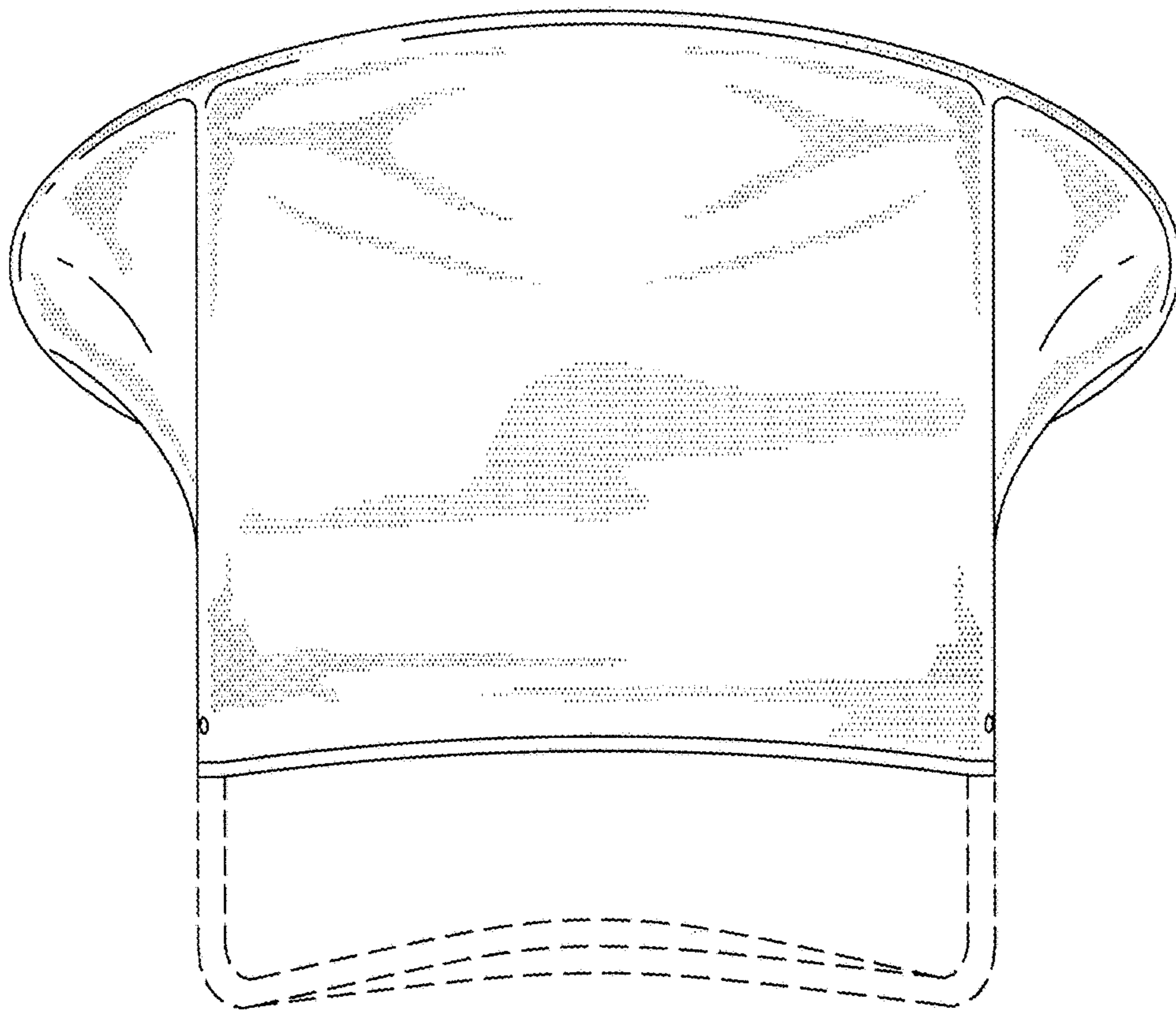


FIG. 3

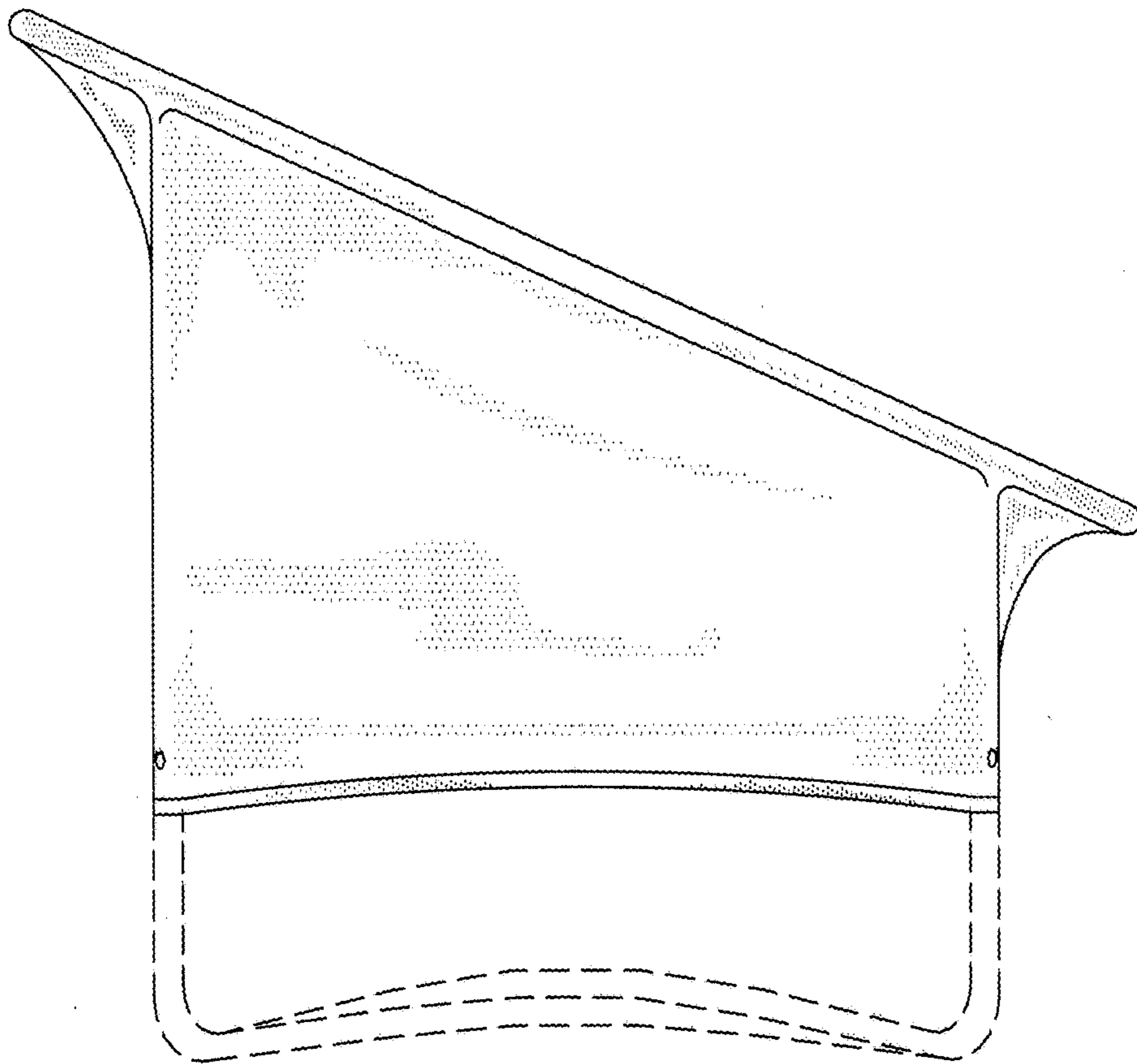


FIG. 4

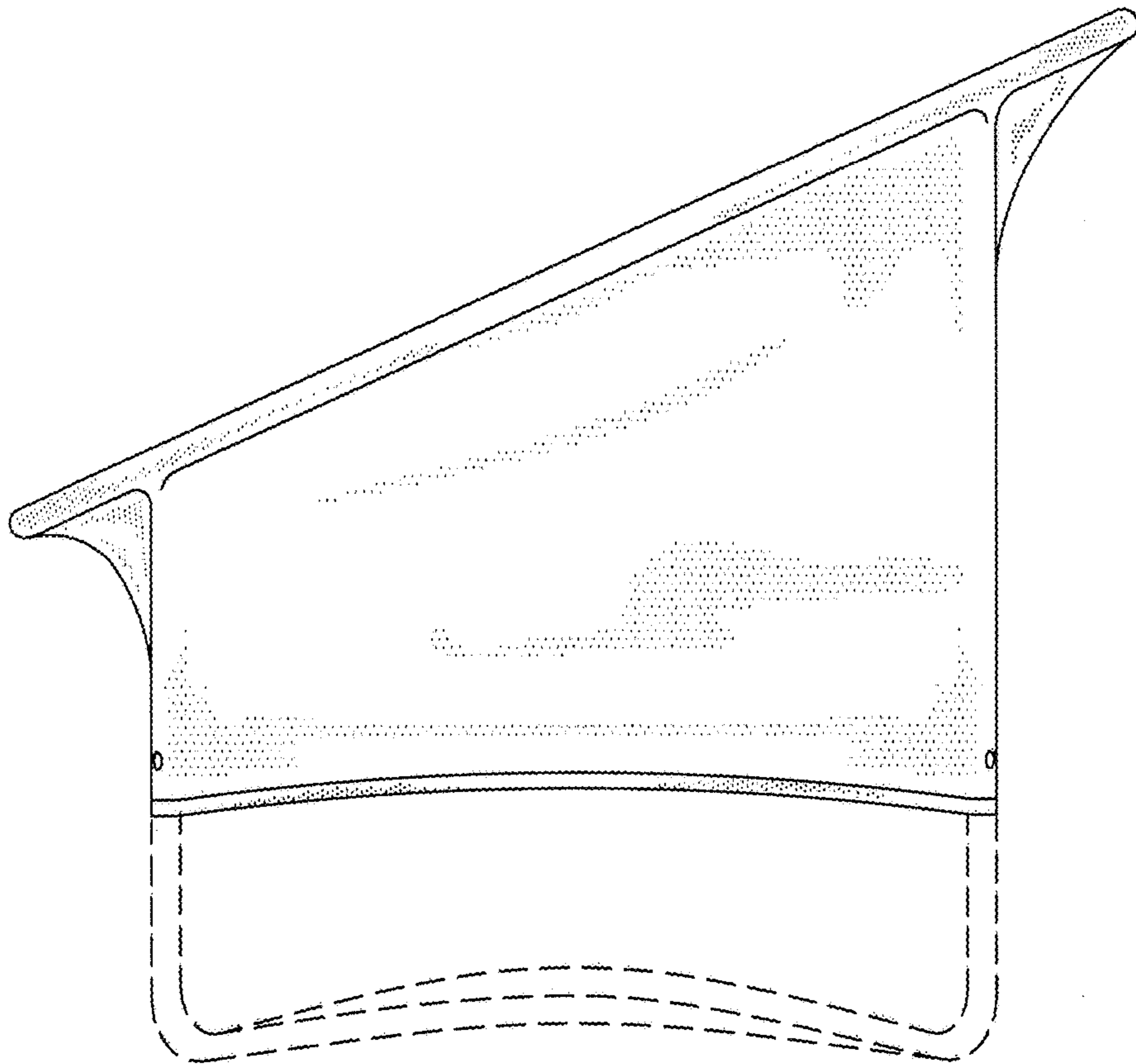


FIG. 5

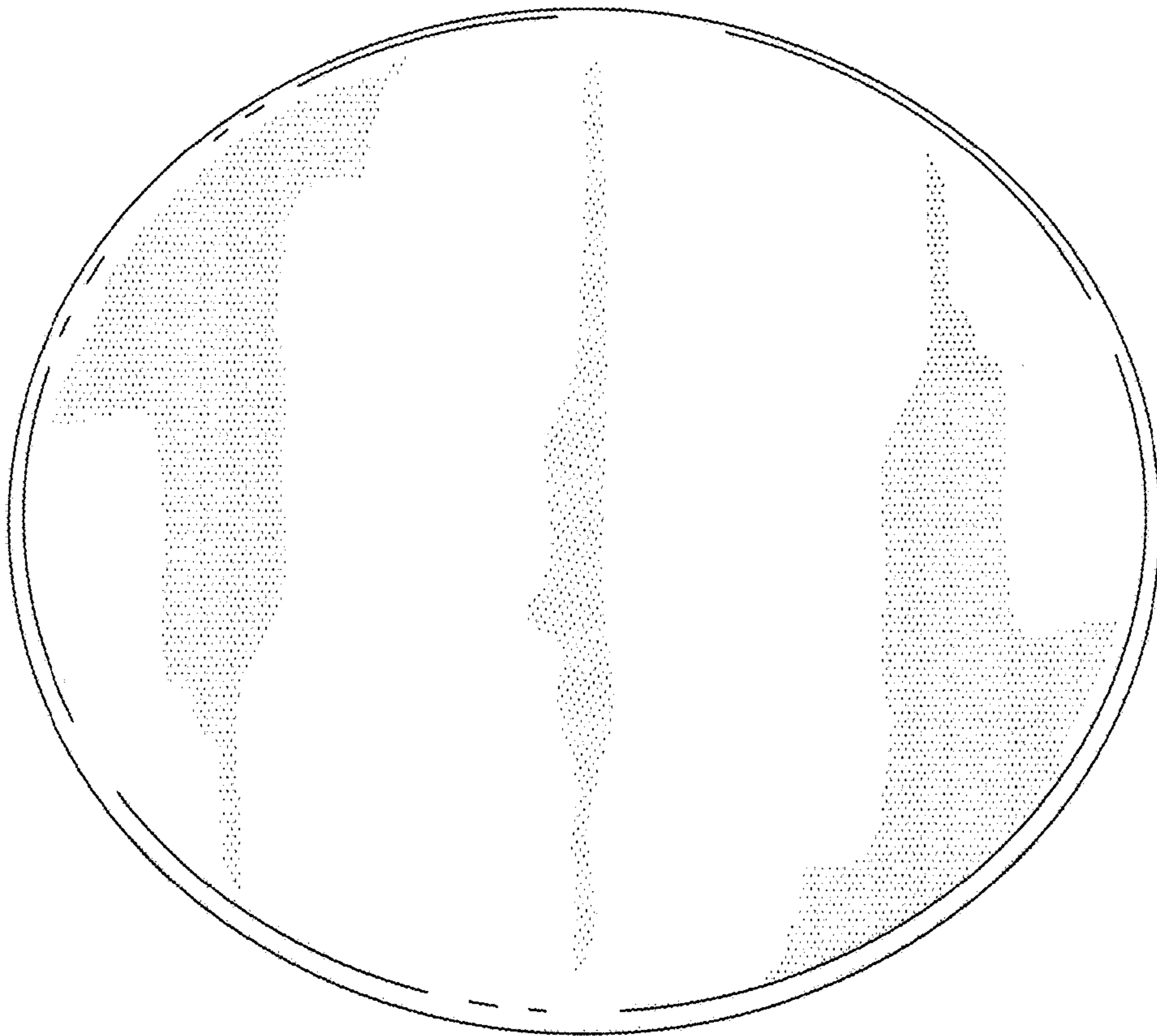


FIG. 6



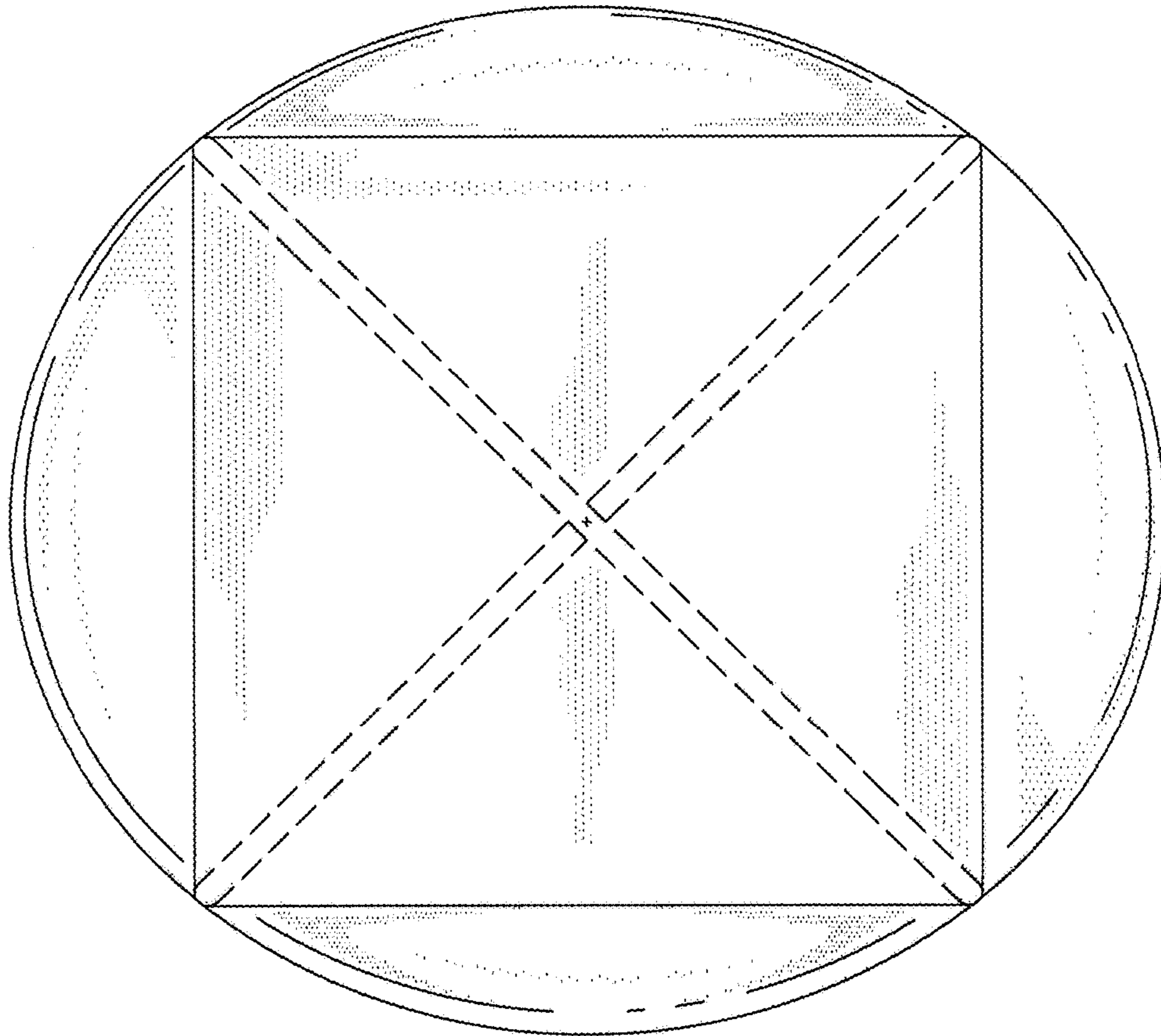


FIG. 7