



US00D834864S

(12) **United States Design Patent**  
**Knight**

(10) **Patent No.:** **US D834,864 S**

(45) **Date of Patent:** **\*\* Dec. 4, 2018**

(54) **TABLE**  
(71) Applicant: **HOME DEPOT PRODUCT AUTHORITY, LLC**, Atlanta, GA (US)  
(72) Inventor: **Erica Knight**, Chamblee, GA (US)  
(73) Assignee: **Home Depot Product Authority, LLC**, Atlanta, GA (US)

D565,328 S \* 4/2008 Lowsky ..... D6/691.1  
D653,879 S \* 2/2012 Najarian ..... D6/691.1  
8,387,544 B1 \* 3/2013 Lee ..... A47B 13/08  
108/161  
D717,572 S \* 11/2014 Morrison ..... D6/647  
D783,322 S \* 4/2017 Taunton ..... D6/691  
2012/0237142 A1 \* 9/2012 Derkoski ..... A47B 3/06  
383/6

(\*\*) Term: **15 Years**

\* cited by examiner

*Primary Examiner* — Mary Ann Calabrese

(21) Appl. No.: **29/554,783**

(74) *Attorney, Agent, or Firm* — Greenberg Traurig, LLP

(22) Filed: **Feb. 15, 2016**

(57) **CLAIM**

The ornamental design for a table, as shown and described.

(51) **LOC (11) Cl.** ..... **06-06**

(52) **U.S. Cl.**  
USPC ..... **D6/707.18; D6/707.19**

**DESCRIPTION**

(58) **Field of Classification Search**  
USPC ..... D6/685, 687, 690, 691, 691.1–691.3,  
D6/691.6–691.8, 708, 707, 707.18, 707.19  
CPC .. A47B 3/06; A47B 7/00; A47B 13/00; A47B  
13/003; A47B 13/02; A47B 13/04; A47B  
13/08; A47B 13/081; A47B 2001/005;  
A47B 2001/025; A47B 2001/035; A47B  
2001/053; A47B 2001/105; A47B  
2200/0001; A47B 2200/0011  
See application file for complete search history.

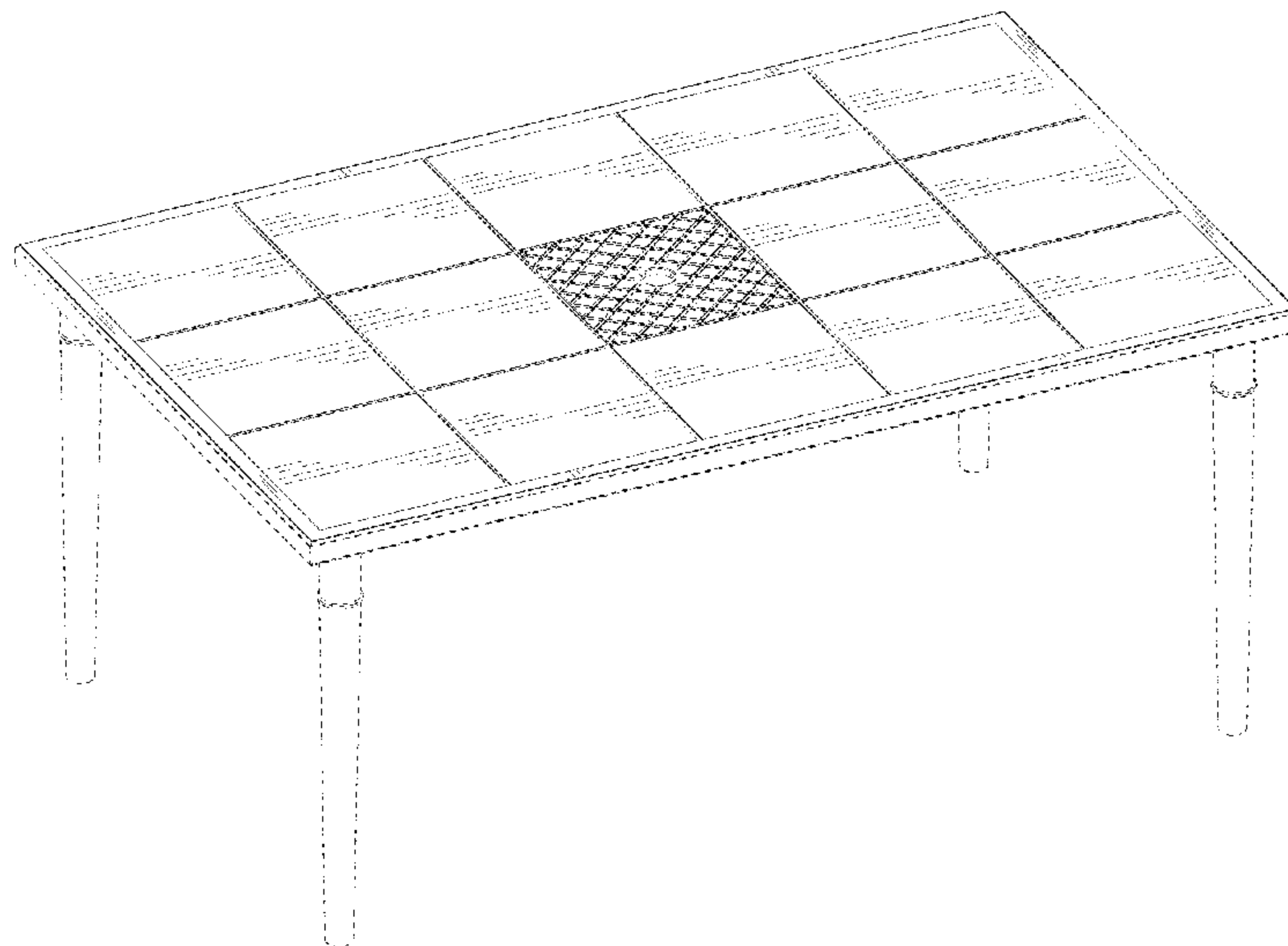
FIG. 1 is a front perspective view of my design;  
FIG. 2 is a front view thereof, the back view being a mirror image thereof;  
FIG. 3 is a right side view thereof, the left side being a mirror image thereof;  
FIG. 4 is a top view thereof;  
FIG. 5 is the same front perspective view as FIG. 1, except it includes detail view identifiers, showing the locations from where the portions of the design shown in detail in FIGS. 6–8 are taken;  
FIG. 6 is a detailed view of a portion of the front perspective view in which the profile of the table surface at the identified location numbered 6 is shown in FIG. 5;  
FIG. 7 is a detailed view of a portion of the front perspective view in which the profile of the table surface at the identified location numbered 7 is shown in FIG. 5; and,  
FIG. 8 is a detailed view of a portion of the front perspective view in which the profile of the table surface at the identified location numbered 8 is shown in FIG. 5.  
The dashed lines in the figures form no part of the claimed design.

(56) **References Cited**

U.S. PATENT DOCUMENTS

3,883,104 A \* 5/1975 Delafield ..... A47B 3/06  
108/156  
4,656,953 A \* 4/1987 Miller, Jr. .... A47B 13/081  
108/153.1  
D293,862 S \* 1/1988 Hubert ..... D6/691.1  
5,487,536 A \* 1/1996 McEachin ..... B25B 11/005  
269/21  
D426,405 S \* 6/2000 Newhouse ..... D6/691  
D530,542 S \* 10/2006 Rehmert ..... D6/691.1  
D551,469 S \* 9/2007 Bibi ..... D21/397

**1 Claim, 7 Drawing Sheets**



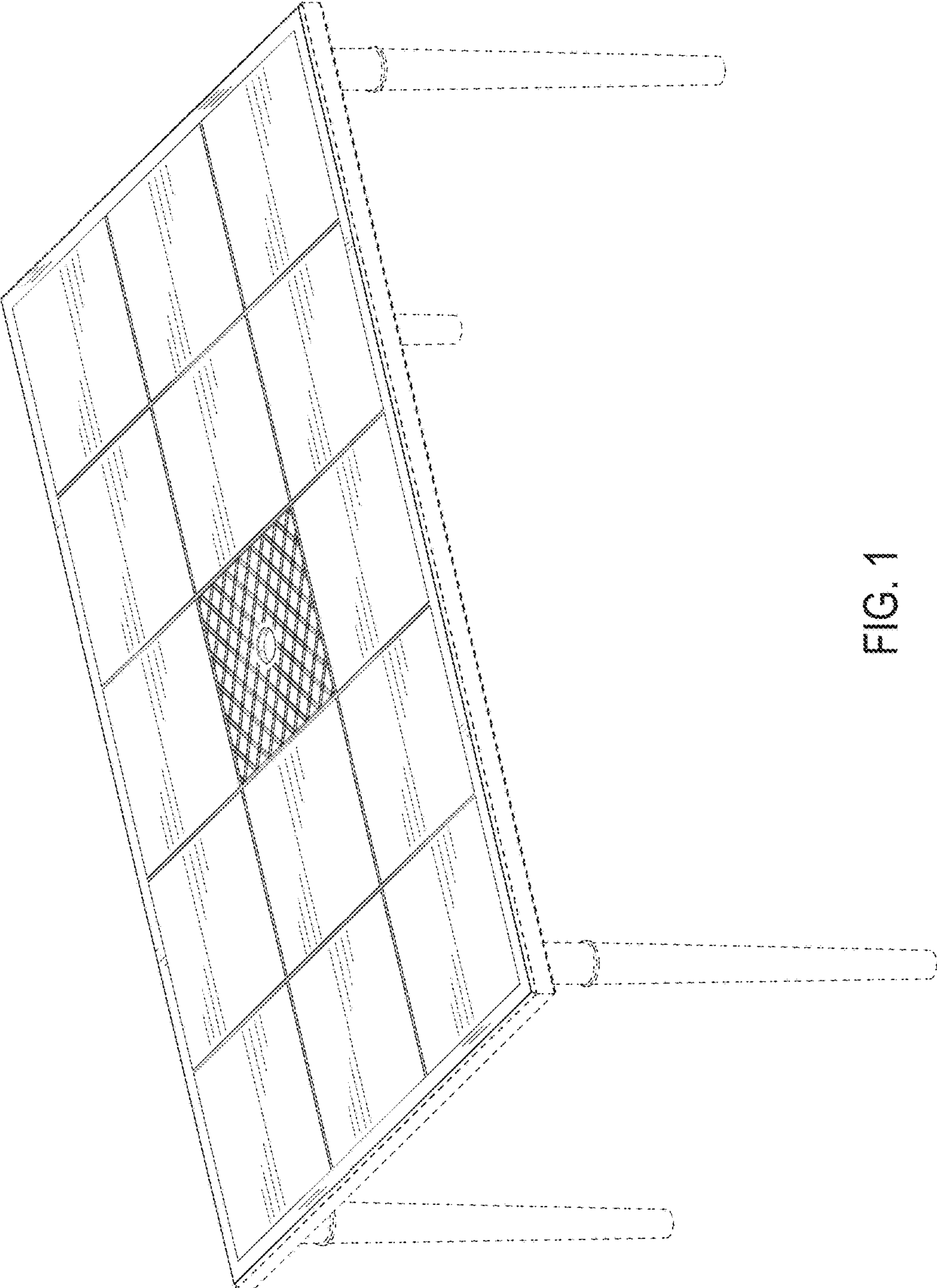


FIG. 1



FIG. 2



FIG. 3



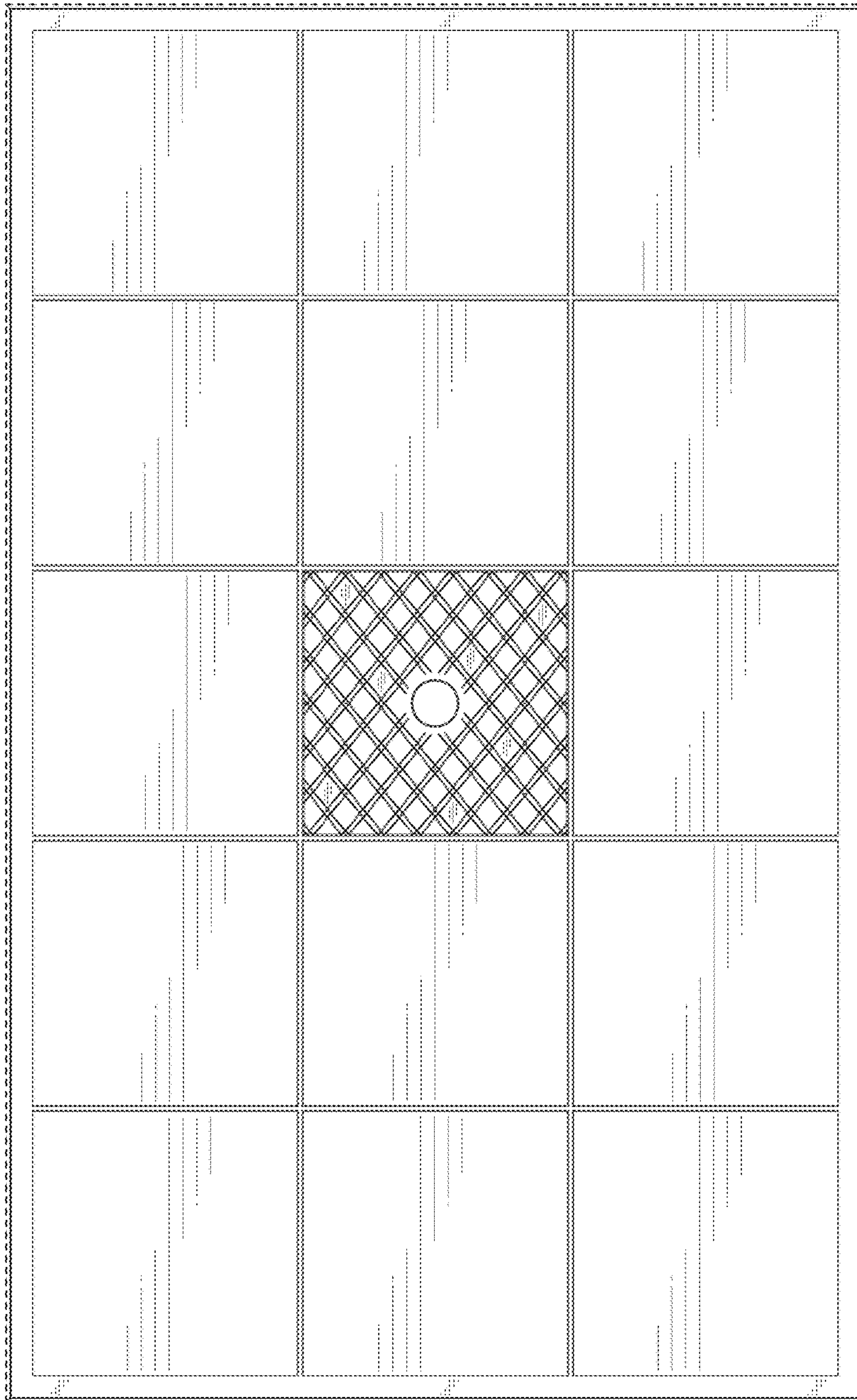


FIG. 4

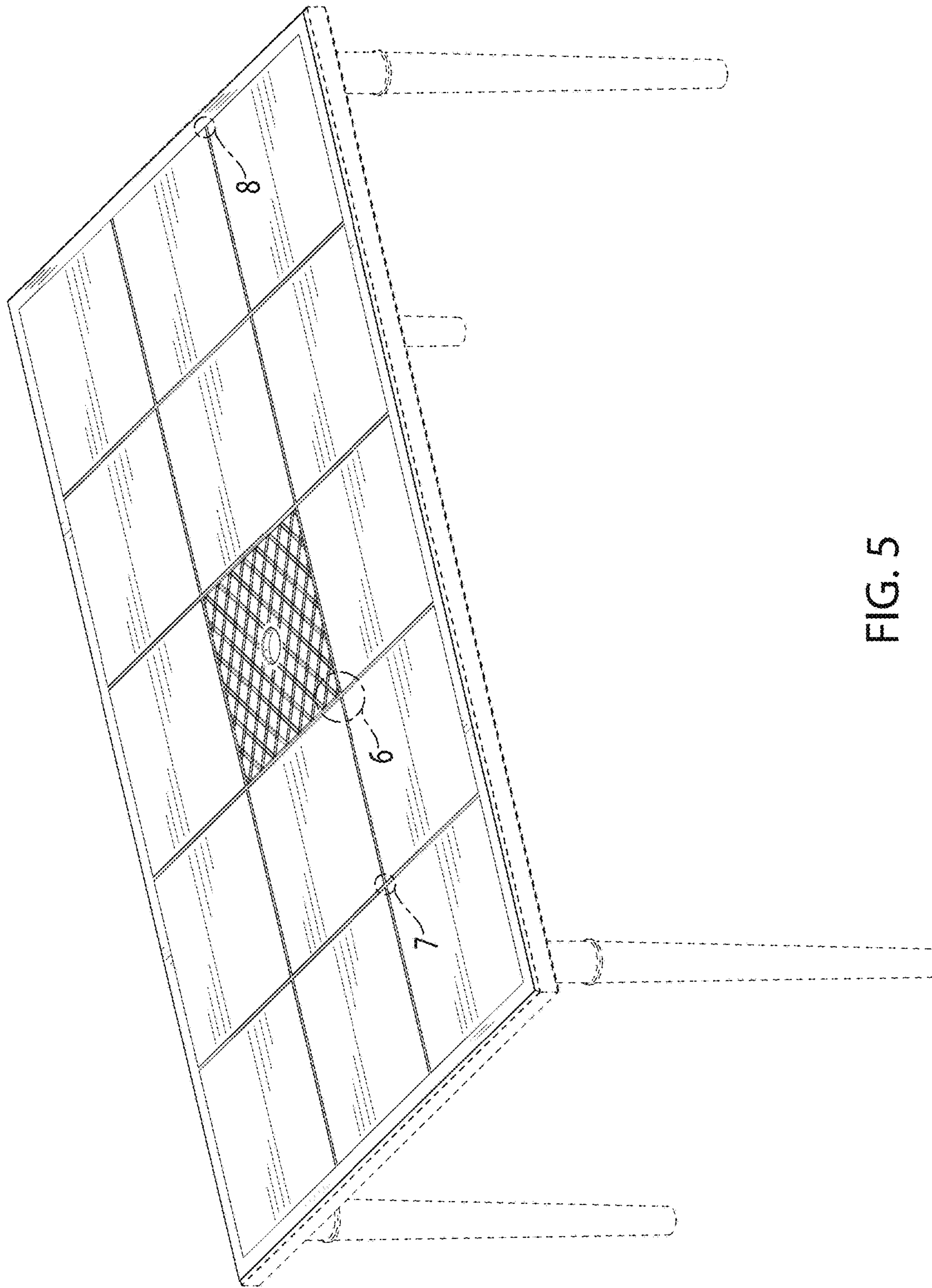


FIG. 5

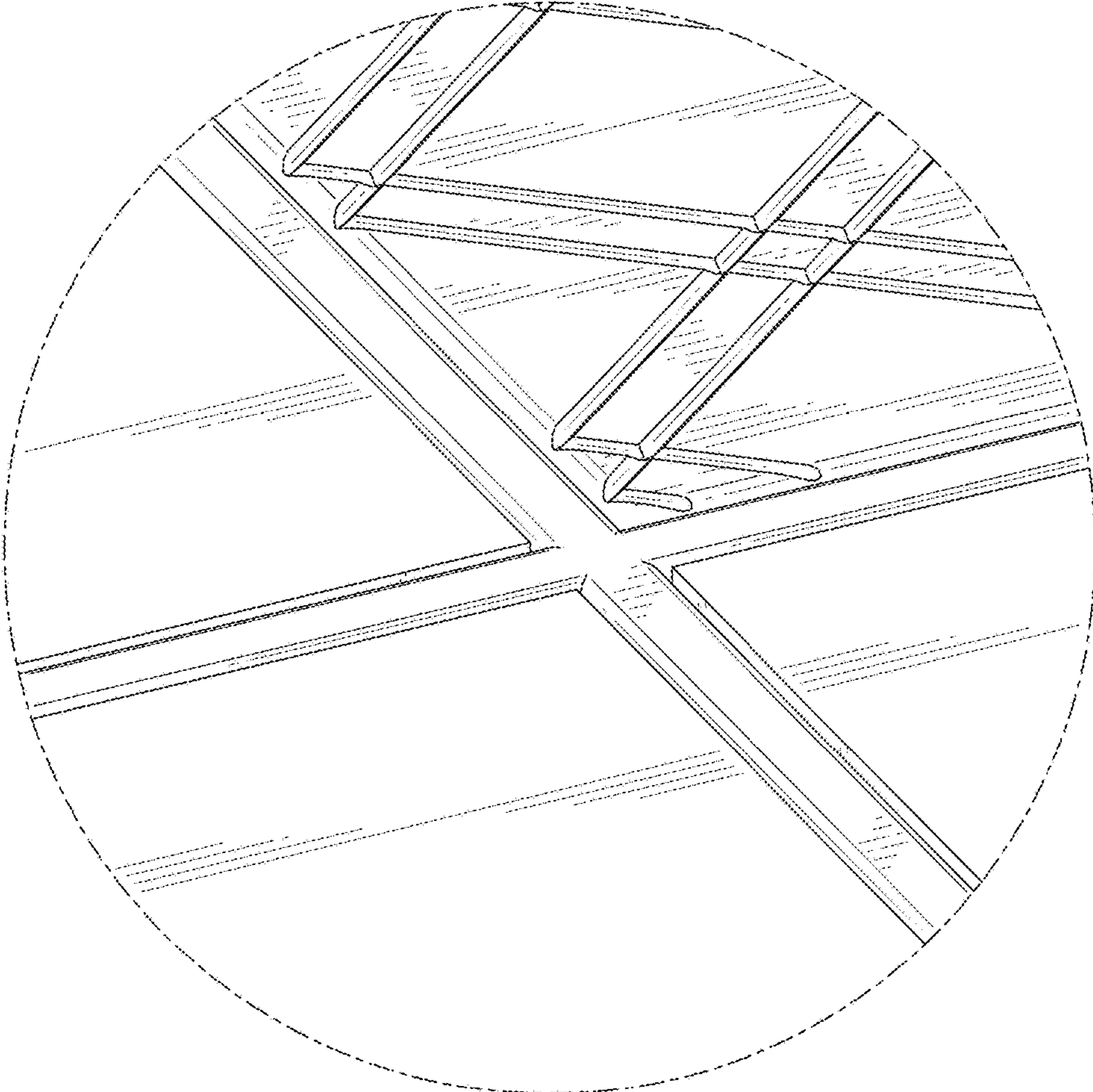


FIG. 6

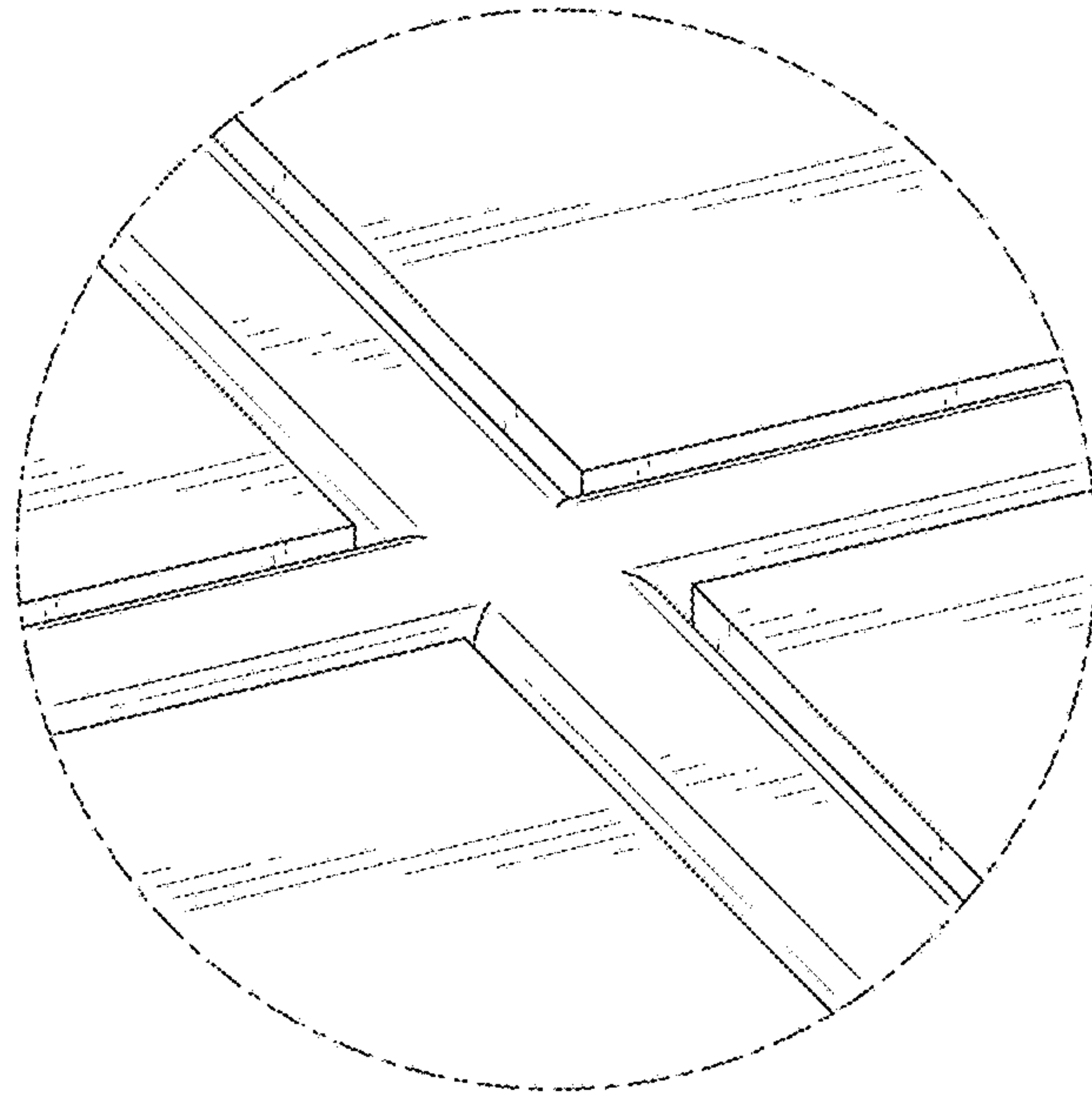


FIG. 7

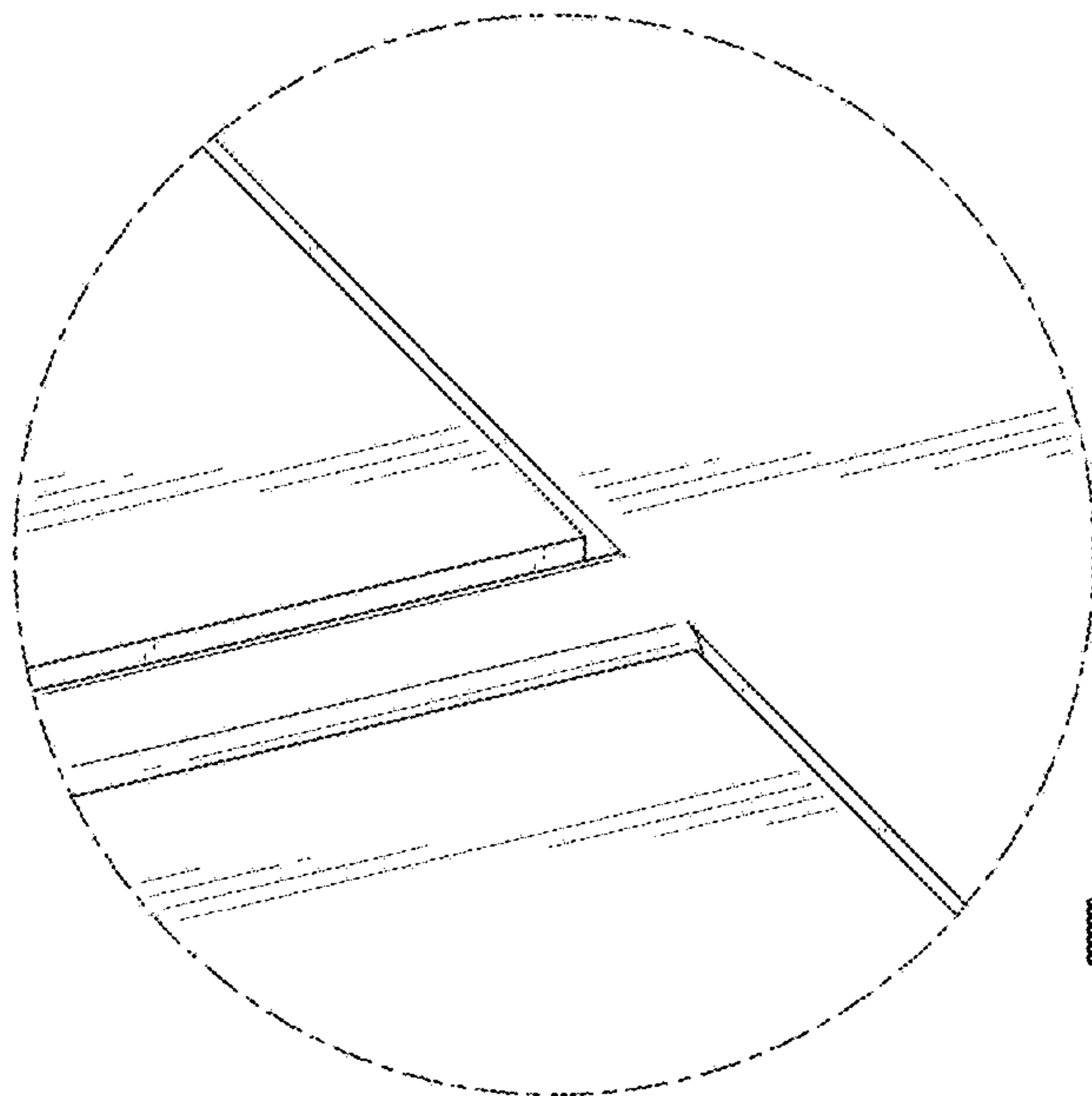


FIG. 8