



US00D834862S

(12) **United States Design Patent**
Dart et al.

(10) **Patent No.:** **US D834,862 S**

(45) **Date of Patent:** **** *Dec. 4, 2018**

(54) **ADJUSTABLE SHELF**
(71) Applicant: **Dedee Dart**, Mapleton, UT (US)
(72) Inventors: **Dedee Dart**, Mapleton, UT (US);
Phillip Dietz, St. George, UT (US);
Bart Storrs, Highland, UT (US);
Douglas J. Fowkes, Springville, UT
(US); **Zachary Snyder**, Hawthorne, NY
(US)

(73) Assignee: **Dedee Dart**, Mapleton, UT (US)

(*) Notice: This patent is subject to a terminal disclaimer.

(**) Term: **15 Years**

(21) Appl. No.: **29/549,965**

(22) Filed: **Dec. 29, 2015**

Related U.S. Application Data

(63) Continuation of application No. 29/483,660, filed on Feb. 28, 2014, now Pat. No. Des. 746,087.

(51) **LOC (11) Cl.** **06-06**

(52) **U.S. Cl.**
USPC **D6/705**

(58) **Field of Classification Search**
USPC ... D6/382-384, 406.1-406.5, 654, 704, 705,
D6/705.1, 707; D19/90-92
CPC A47B 57/00; A47B 57/08; A47B 57/16;
A47B 96/02; A47B 96/025
See application file for complete search history.

(56) **References Cited**

U.S. PATENT DOCUMENTS

774,117 A * 11/1904 Tandy A47B 67/02
211/47
905,737 A * 12/1908 McCombe A47B 13/081
108/102

1,043,950 A * 11/1912 Martin A47B 23/02
108/137
1,747,628 A * 2/1930 Hagel A41H 17/00
211/13.1
2,023,901 A 12/1935 Rhodes
2,122,336 A * 6/1938 Berry A47B 77/14
211/153
2,216,621 A * 10/1940 MacKinga A47B 61/003
211/90.04
2,347,821 A * 5/1944 Goldner A47C 4/021
108/159
2,427,767 A * 9/1947 Drake A47B 57/425
211/134
2,520,490 A * 8/1950 Boward A63F 1/10
211/10
2,643,931 A * 6/1953 Anderson A47B 67/02
211/90.01
2,657,810 A * 11/1953 Garrick A47B 45/00
108/102

(Continued)

Primary Examiner — Kelley A Donnelly

(74) *Attorney, Agent, or Firm* — Morriss O'Bryant
Compagni Cannon, PLLC

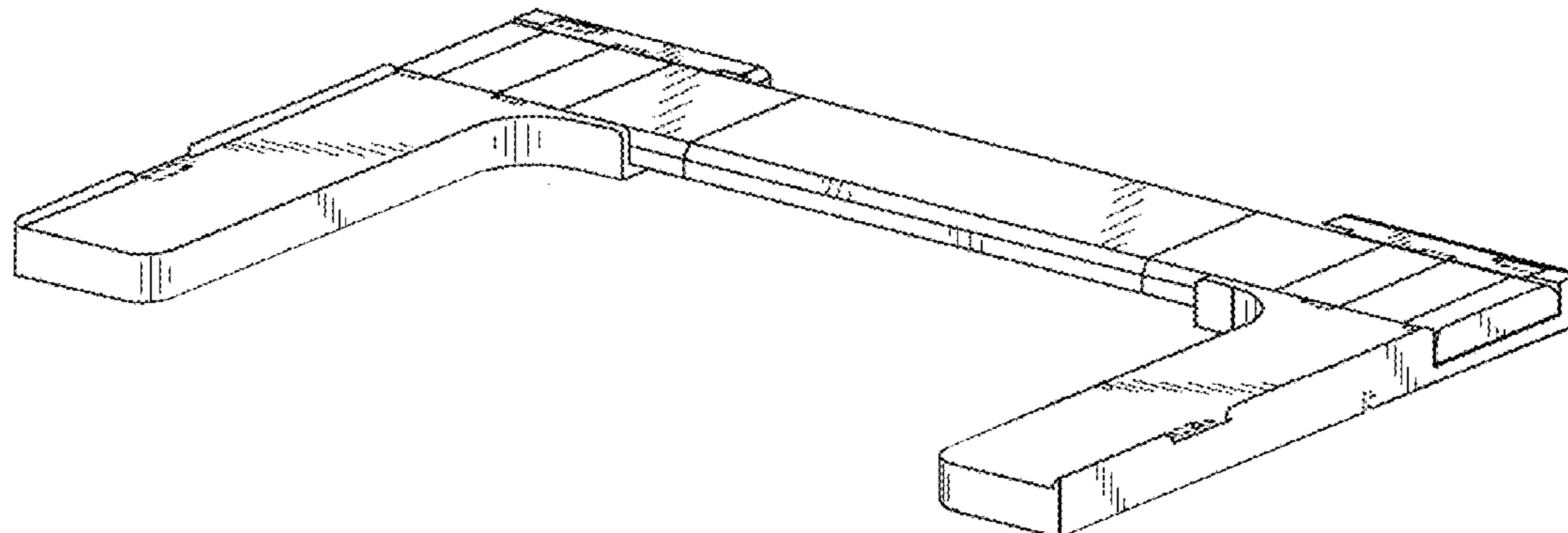
(57) **CLAIM**

The ornamental design for the adjustable shelf, as shown and described.

DESCRIPTION

FIG. 1 is a perspective front side view of an adjustable shelf of the present invention.
FIG. 2 is a top side view of the adjustable shelf.
FIG. 3 is a bottom side view of the adjustable shelf.
FIG. 4 is a back side view of the adjustable shelf.
FIG. 5 is a front side view of the adjustable shelf.
FIG. 6 is a left side view of the adjustable shelf; and,
FIG. 7 is a right side view of the adjustable shelf.
The broken lines are for the purpose of illustrating the environment of the article and form no part of the claimed design.

1 Claim, 7 Drawing Sheets



(56)

References Cited

U.S. PATENT DOCUMENTS

3,441,146 A *	4/1969	Summers	A47B 73/00 211/74	6,623,956 B1 *	9/2003	Cecchi	C12M 21/06 422/561
3,919,950 A *	11/1975	Frazelle	A47B 87/00 108/108	6,874,646 B2	4/2005	Jay	
4,025,137 A *	5/1977	Wylar	A47B 45/00 108/93	D510,821 S	10/2005	Madison	
4,036,369 A *	7/1977	Eisenberg	A47B 45/00 108/102	D518,979 S *	4/2006	Petitclerc	D6/571
4,155,312 A *	5/1979	Thorkildson	A47B 45/00 108/102	7,204,569 B2 *	4/2007	Walburn	A47B 96/16 108/42
4,286,525 A	9/1981	Willmore		7,234,604 B2	6/2007	Eisele	
4,469,231 A *	9/1984	Hehn	B42F 15/0094 108/180	7,237,686 B2 *	7/2007	Bertrand	A47B 73/00 211/126.15
4,500,146 A *	2/1985	Peterson	A47B 45/00 108/102	D609,500 S	2/2010	Fieldhouse	
4,713,949 A *	12/1987	Wilcox	A47B 45/00 108/102	D627,989 S	11/2010	Geoffrey	
4,760,800 A *	8/1988	Hanson	A47B 81/002 108/152	D629,222 S	12/2010	Kay	
4,975,997 A	12/1990	Misiura		D629,627 S	12/2010	Mylet	
D332,717 S *	1/1993	Wolfe, III	D6/570	D630,459 S	1/2011	Millspaugh	
5,291,700 A *	3/1994	Chew	A47D 13/00 160/135	7,987,799 B2 *	8/2011	Lange	A47B 45/00 108/102
5,339,747 A	8/1994	Epps		D652,222 S	1/2012	Edwards	
5,415,472 A *	5/1995	Brise	A47B 45/00 211/153	8,316,486 B2	11/2012	Tipperreiter	
5,478,145 A *	12/1995	Kamachi	F16B 12/12 108/107	8,333,158 B2	12/2012	Wise	
D372,822 S	8/1996	O'Brien		D677,478 S	3/2013	Edwards	
5,564,962 A	10/1996	Navarrete Espinosa		D677,960 S	3/2013	Kullman	
5,595,126 A	1/1997	Yeh		D678,887 S	3/2013	Stravitz	
5,628,257 A	5/1997	Conner		D691,404 S	10/2013	Baum	
D393,316 S	4/1998	Simon		D696,540 S *	12/2013	Dart	D6/705.1
D398,458 S	9/1998	Martell		D698,163 S	1/2014	Edwards	
5,964,360 A *	10/1999	Hwang	A47B 87/0215 211/186	D710,980 S *	8/2014	Pollard, Jr.	D23/308
5,971,165 A	10/1999	Levins		D716,065 S	10/2014	Hubbard, Jr.	
6,019,331 A	2/2000	Hoogland		D778,648 S *	2/2017	Johnson	D6/705.7
6,036,286 A *	3/2000	Krumholz	A47B 88/42 211/162	2001/0052505 A1 *	12/2001	Lee	F25D 25/00 211/85.18
D423,840 S	5/2000	Carville		2004/0094143 A1 *	5/2004	Bartley	F24C 15/16 126/337 R
6,085,668 A	7/2000	Kanki		2004/0159622 A1	8/2004	Craft	
6,142,316 A	11/2000	Harbour		2004/0164655 A1 *	8/2004	Wood	A47B 45/00 312/205
D443,434 S	6/2001	Tinsley		2006/0207957 A1	9/2006	Chen	
6,450,349 B2	9/2002	Lee		2008/0053940 A1	3/2008	Whalen	
D474,920 S	5/2003	Holt		2009/0230070 A1 *	9/2009	Anderson	A47B 57/583 211/186
6,591,762 B1 *	7/2003	Haghyegh	A47B 96/022 108/42	2010/0264104 A1 *	10/2010	Winter	A47B 47/0083 211/186
				2012/0037583 A1 *	2/2012	Wise	A47B 46/005 211/150
				2012/0180302 A1	7/2012	Lopez, Jr.	
				2012/0223038 A1 *	9/2012	Bean	A47B 96/021 211/90.01
				2015/0068999 A1 *	3/2015	Dart	A47B 45/00 211/186
				2016/0146531 A1 *	5/2016	Gossens	F25D 25/024 108/42

* cited by examiner

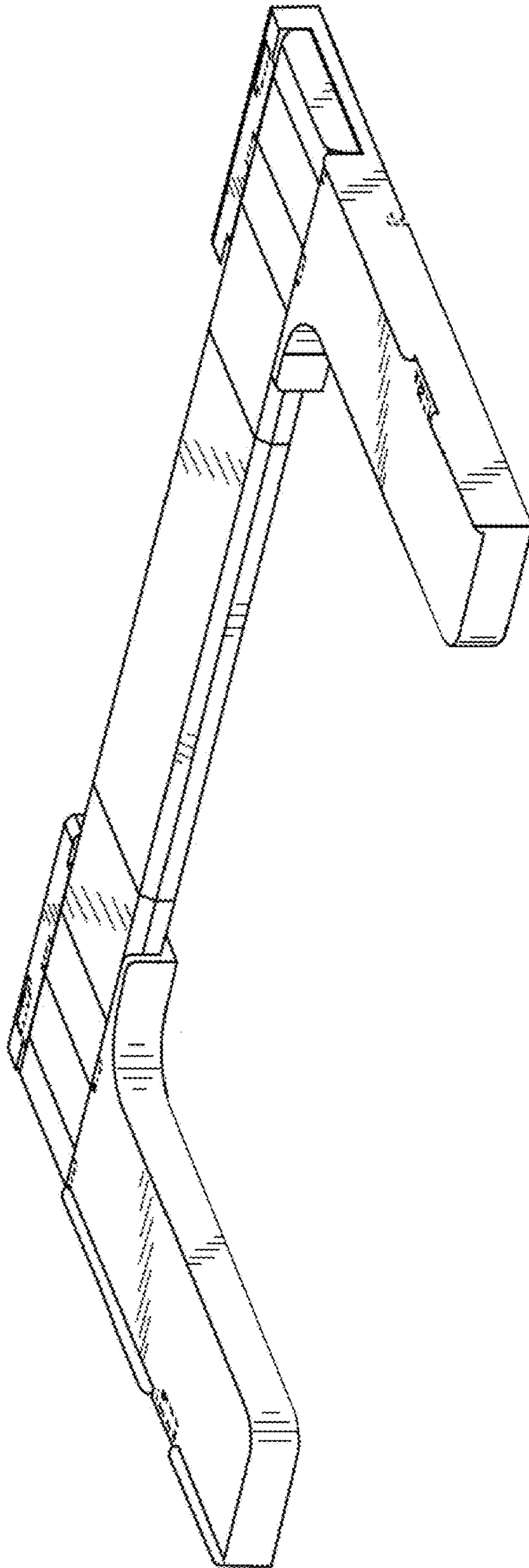


FIG. 1

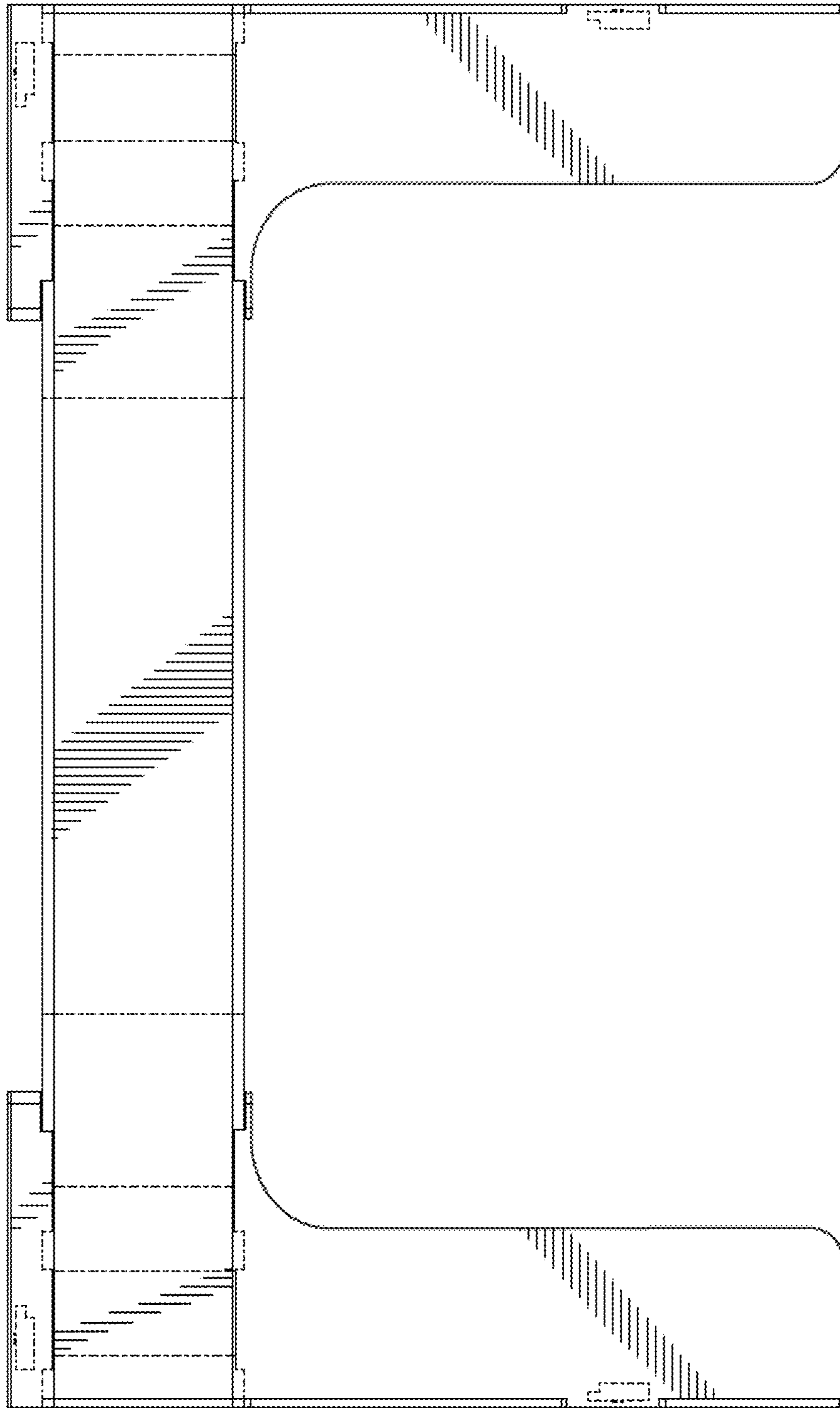


FIG. 2

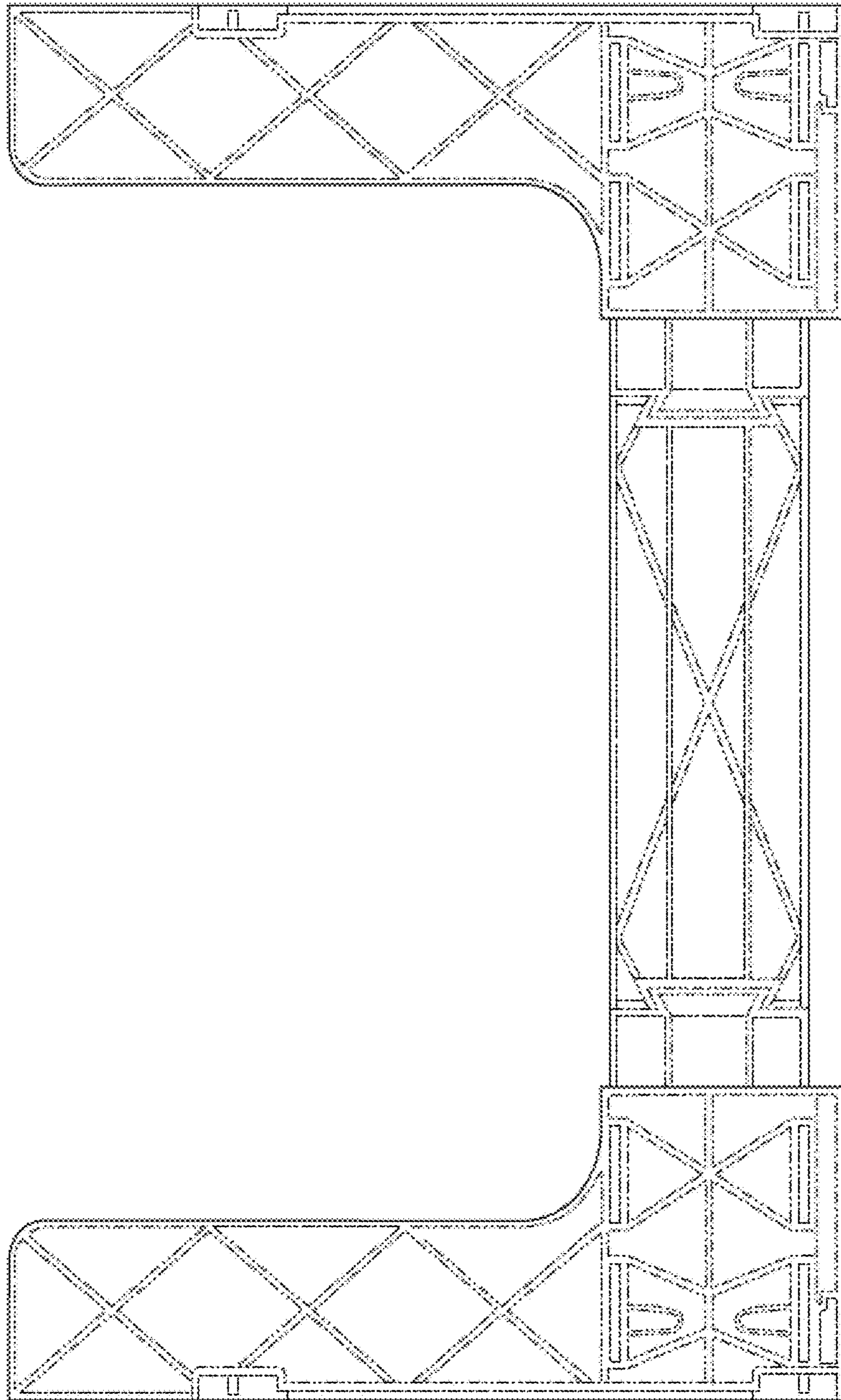


FIG. 3

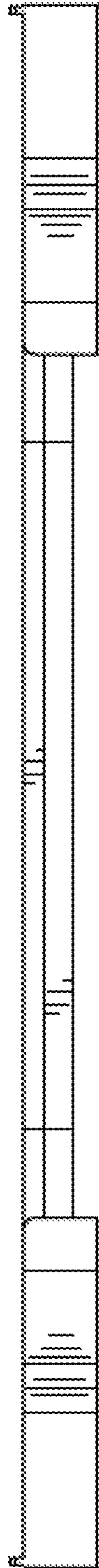


FIG. 4

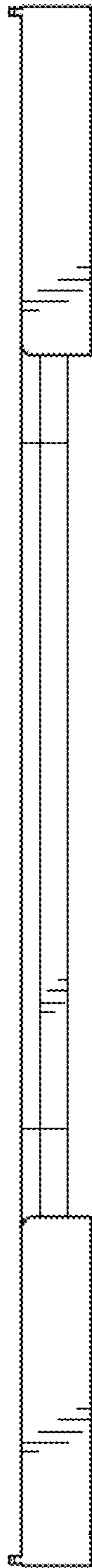


FIG. 5

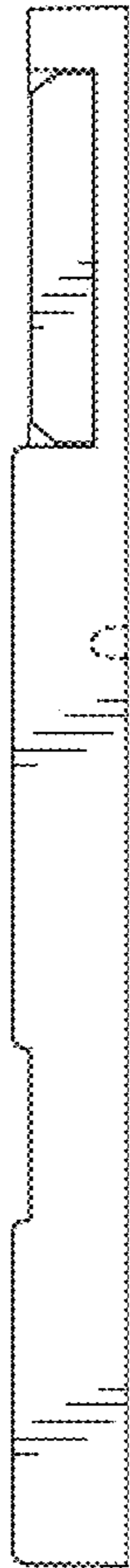


FIG. 6

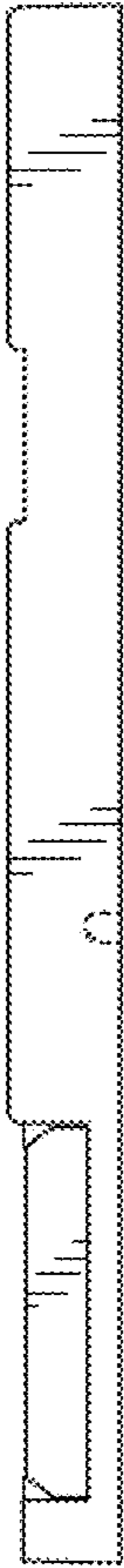


FIG. 7