



US00D834861S

(12) **United States Design Patent** (10) **Patent No.:** **US D834,861 S**
Brooks (45) **Date of Patent:** **** Dec. 4, 2018**

(54) **FOLDING DELTA TABLE**
(71) Applicant: **Glenn J. Brooks**, Aurora, CO (US)
(72) Inventor: **Glenn J. Brooks**, Aurora, CO (US)
(**) Term: **15 Years**
(21) Appl. No.: **29/563,452**
(22) Filed: **May 4, 2016**
(51) **LOC (11) Cl.** **06-03**
(52) **U.S. Cl.**
USPC **D6/697**
(58) **Field of Classification Search**
USPC D6/641, 642, 648, 648.1, 648.2, 648.3,
D6/648.4, 649, 653, 655, 655.11, 655.13,
D6/656, 656.15, 699, 708, 708.16,
D6/708.17, 709, 709.2, 710, 686, 697,
D6/697.1
CPC A47B 7/00; A47B 13/08; A47B 13/10;
A47B 21/00; A47B 2009/006; A47B
11/00; A47B 2200/002; A47B 3/14; A47B
83/02; A47B 37/04; A47B 2200/0051;
A47B 2200/0052; A47B 2200/0053;
A47B 2200/0054; A47B 2200/0055;
A47B 21/02
See application file for complete search history.

(56) **References Cited**
U.S. PATENT DOCUMENTS
D132,947 S * 7/1942 Banks D6/644
D194,850 S * 3/1963 McCord D6/663
D221,672 S * 8/1971 Kalilich D21/799.2
D234,655 S * 4/1975 Stiene D6/697.1
D280,164 S * 8/1985 Berry, Jr. D6/693.1
D283,656 S * 5/1986 Mennes D6/691.1
D286,353 S * 10/1986 Robolin D6/641
D367,192 S * 2/1996 Frattini D6/656
D367,775 S * 3/1996 Wood, Jr. D6/648.4
D370,796 S * 6/1996 Beck D6/655.1
6,112,674 A * 9/2000 Stanford A47B 3/0912
108/129

6,382,109 B1 * 5/2002 Novikoff A47B 87/002
108/65
6,431,086 B1 * 8/2002 Lloyd A47B 3/087
108/123
D464,502 S * 10/2002 Chen D6/650
D476,169 S * 6/2003 Buono D6/691.6
D513,131 S * 12/2005 Nelson D6/335
D585,670 S * 2/2009 Gharabegian D6/693
D588,832 S * 3/2009 Mohundro D6/667
D604,965 S * 12/2009 Gilad D6/686
D669,703 S * 10/2012 Wu D6/310
D671,773 S * 12/2012 Johnson D25/119
D675,042 S * 1/2013 Mecherle D6/691

(Continued)

Primary Examiner — Mary Ann Calabrese
Assistant Examiner — Sloan Rozin
(74) *Attorney, Agent, or Firm* — Kilpatrick Townsend and
Stockton LLP

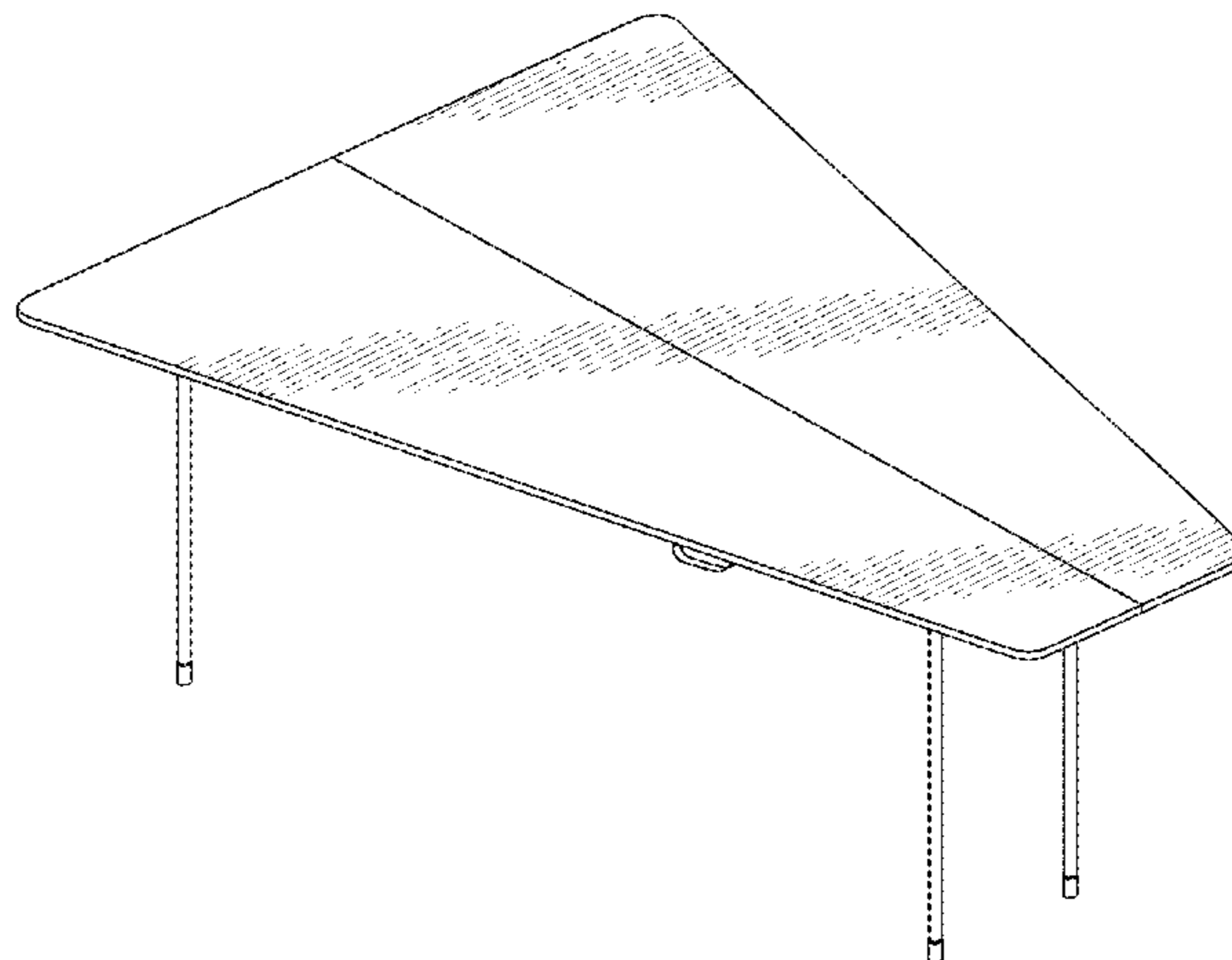
(57) **CLAIM**

The ornamental design for folding delta table, as shown and
described.

DESCRIPTION

FIG. 1 is a top perspective view of the folding delta table
showing my new design;
FIG. 2 is a bottom perspective view thereof;
FIG. 3 is a top plan view thereof;
FIG. 4 is a bottom plan view thereof;
FIG. 5 is a right side elevation view thereof;
FIG. 6 is a left side elevation view thereof;
FIG. 7 is a front side elevation view thereof;
FIG. 8 is a back side elevation view thereof;
FIG. 9 is a bottom perspective view thereof in a partially
folded configuration; and,
FIG. 10 is a perspective view thereof in a partially folded
configuration.
The broken lines show portions of the folding delta table that
form no part of the claimed design.

1 Claim, 8 Drawing Sheets



(56)

References Cited

U.S. PATENT DOCUMENTS

D728,981 S * 5/2015 Legare D6/707.15
D732,852 S * 6/2015 Park D6/656
D736,021 S * 8/2015 Legare D6/707.15
D767,925 S * 10/2016 Blagmon, Jr. D6/693
D782,228 S * 3/2017 Gharabegian D6/691

* cited by examiner

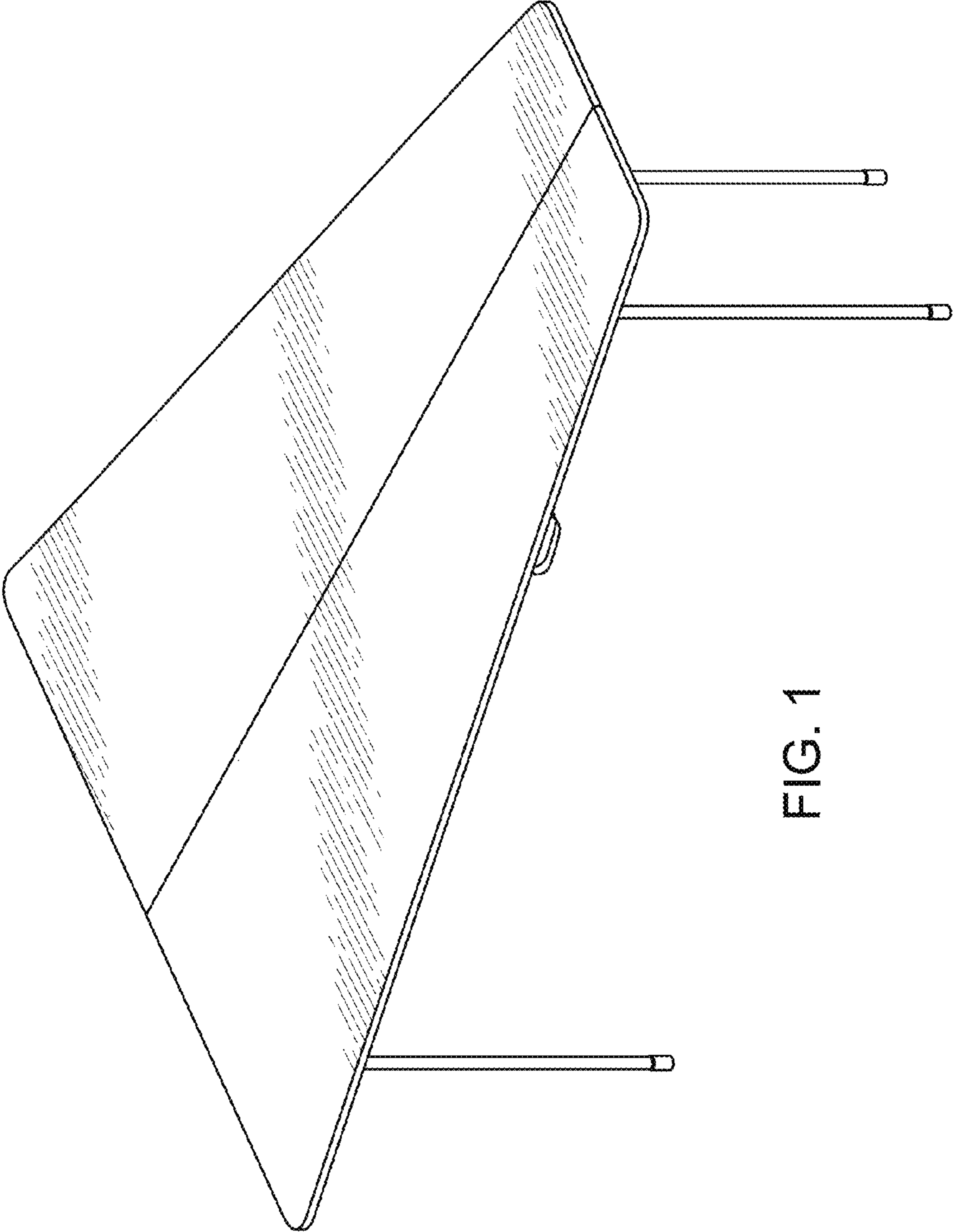


FIG. 1

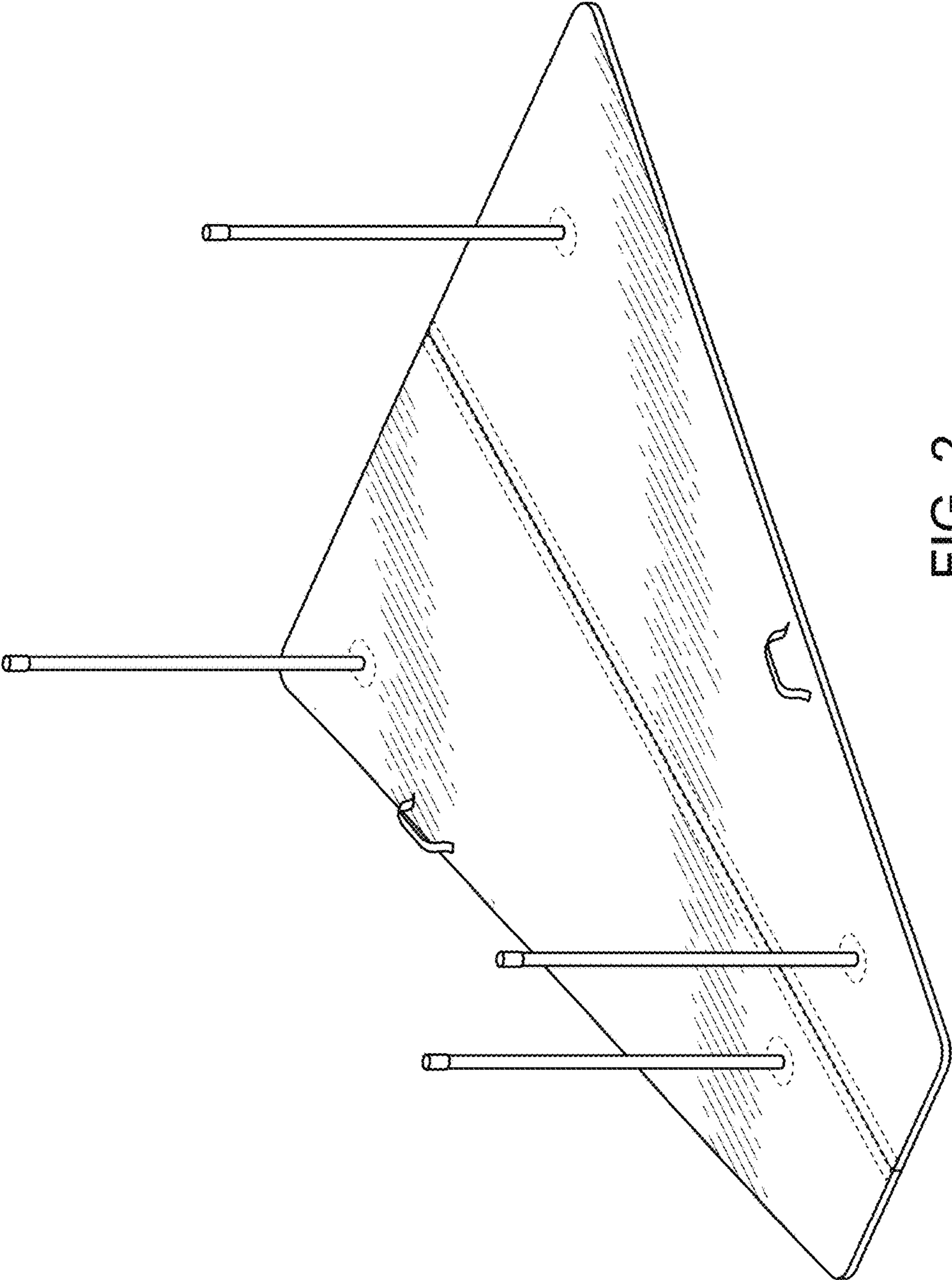


FIG. 2

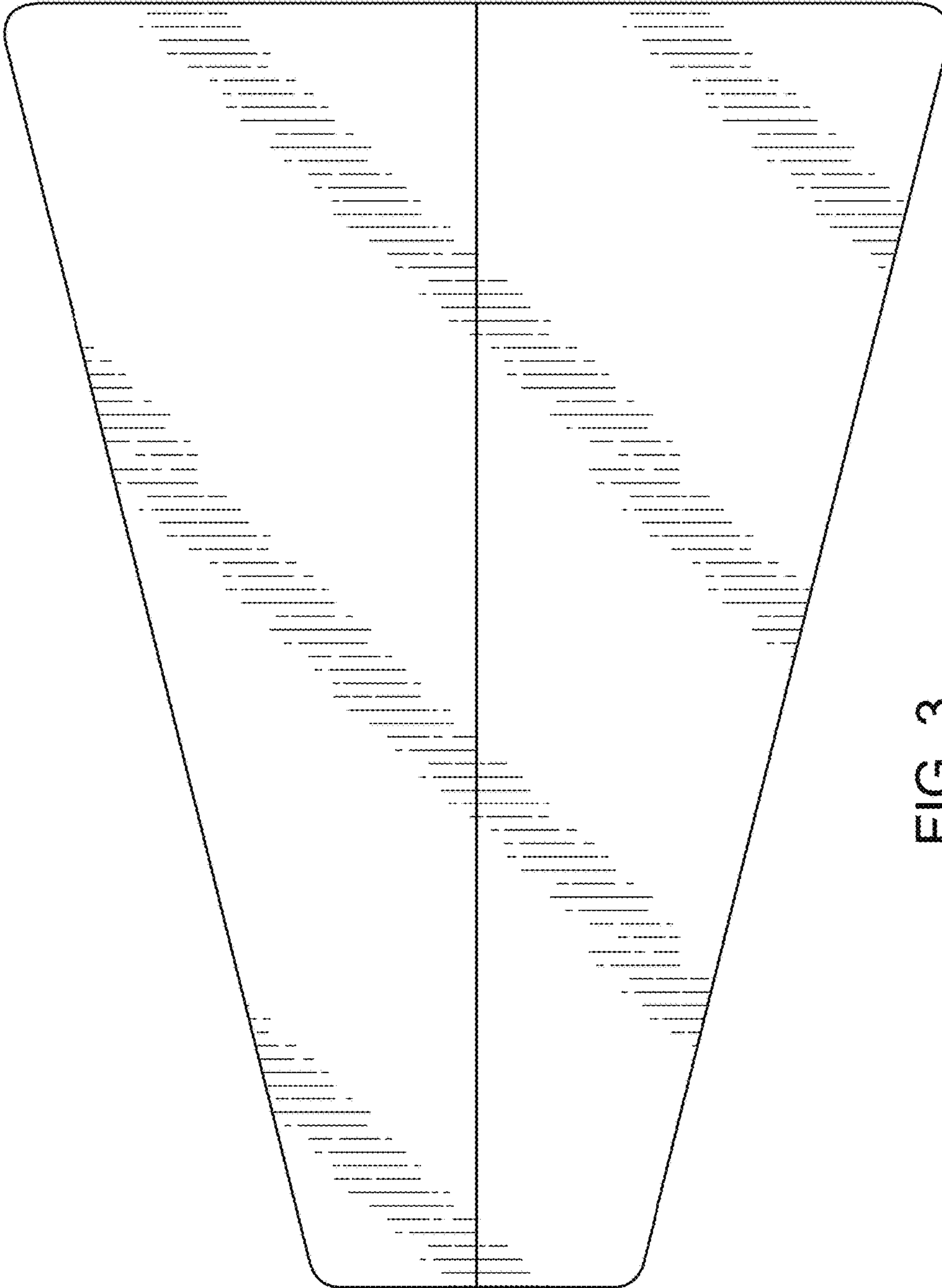


FIG. 3

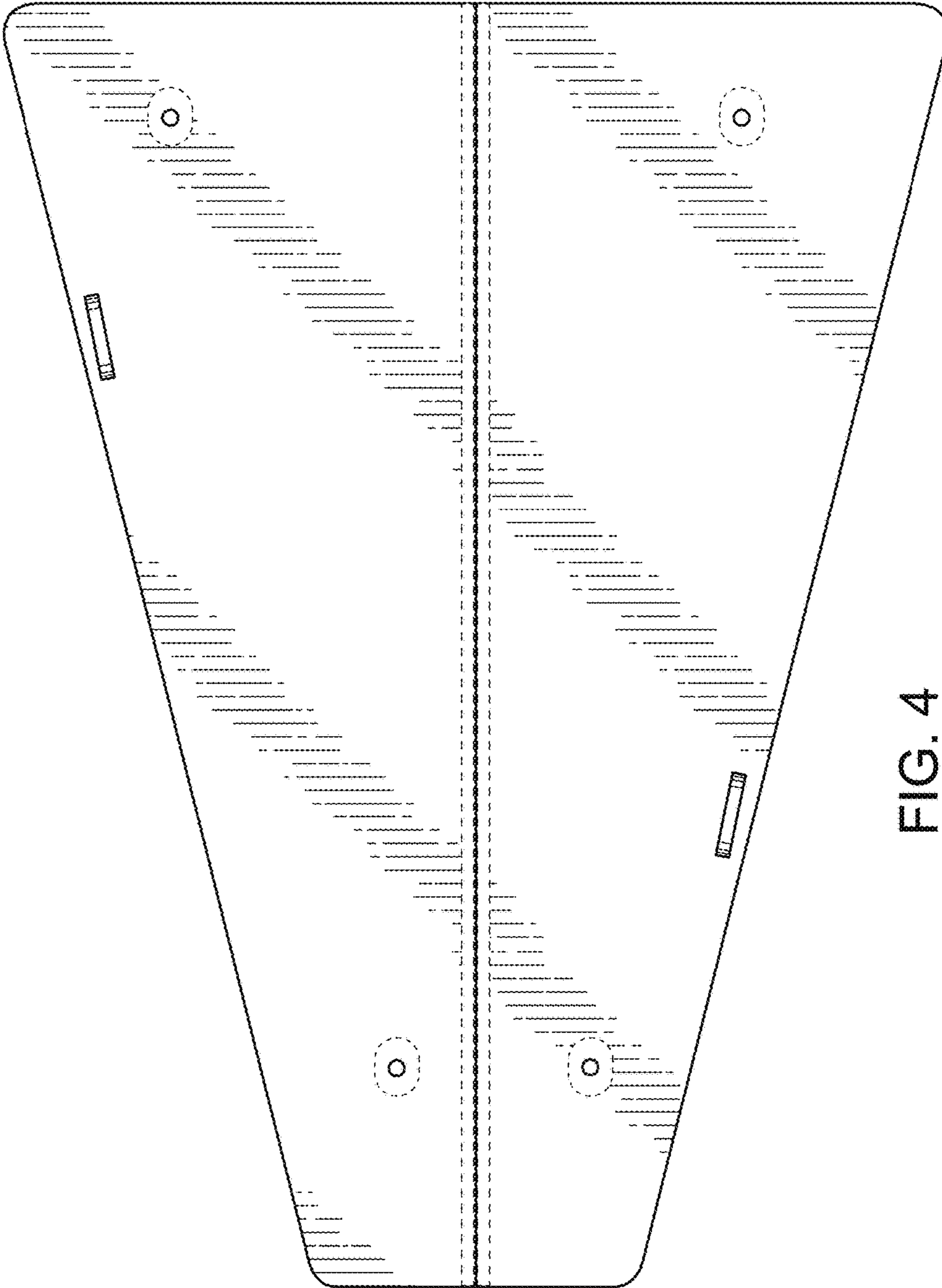


FIG. 4

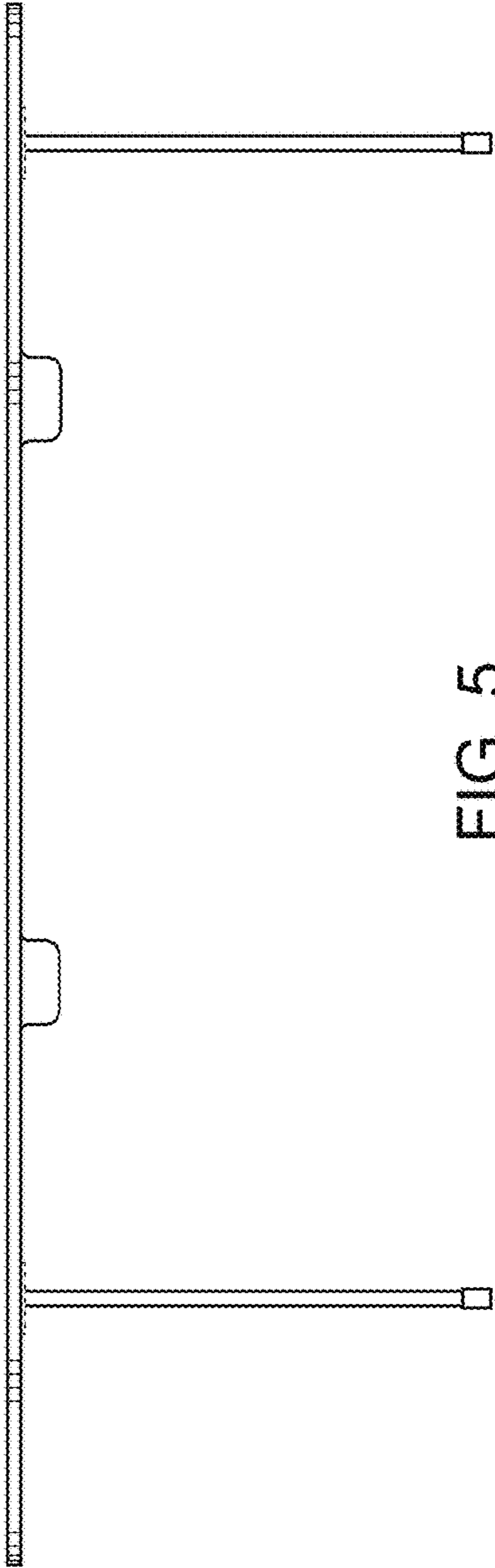


FIG. 5

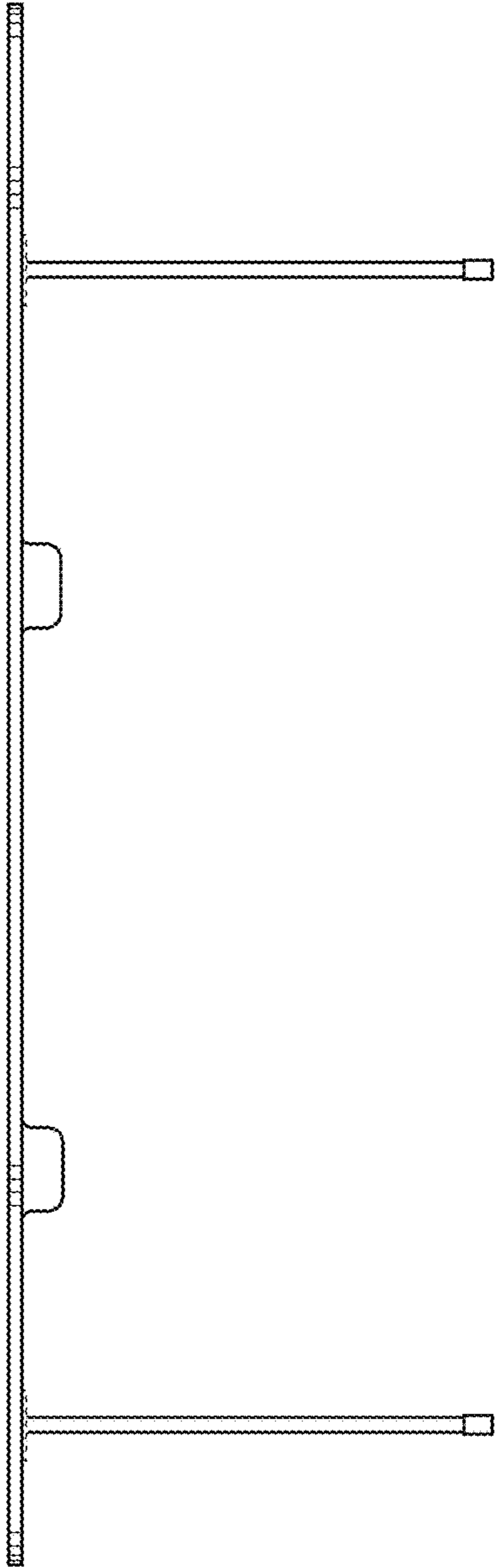


FIG. 6

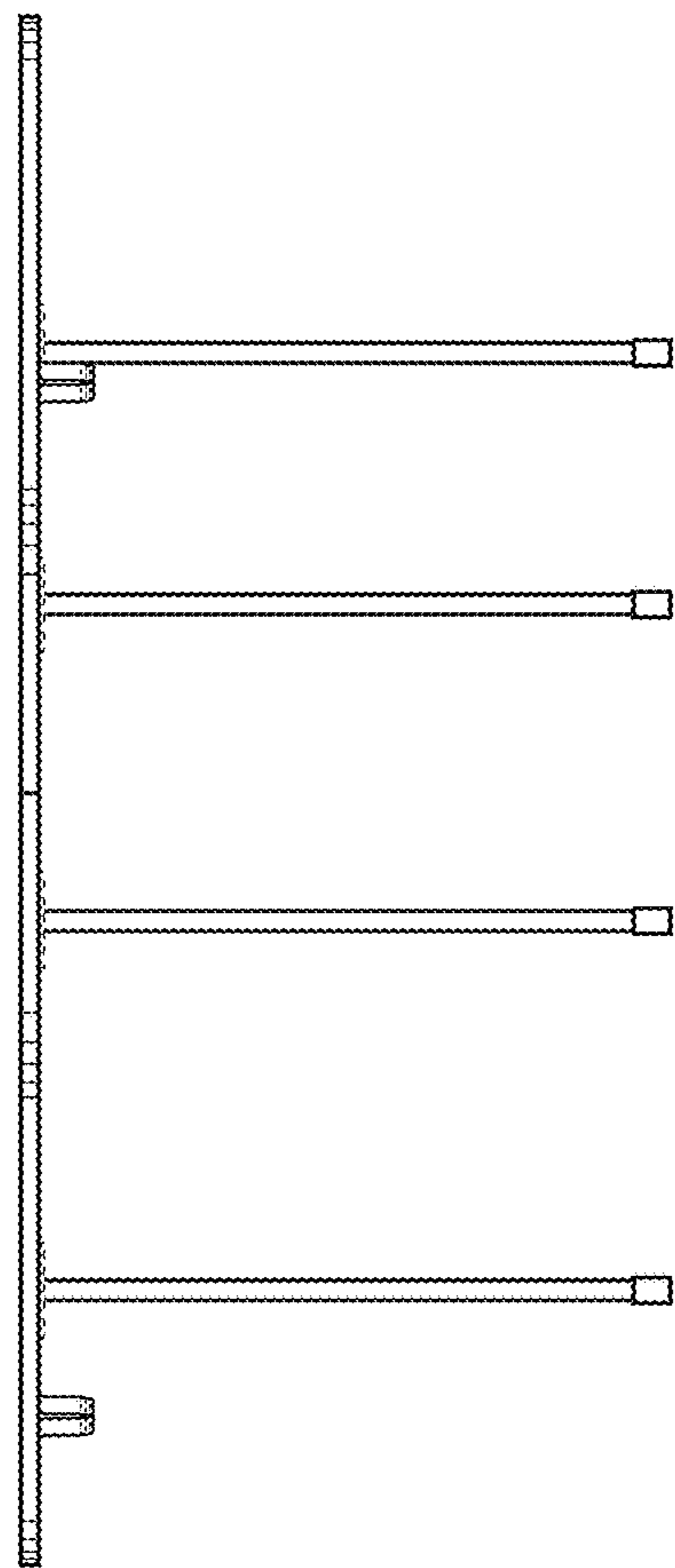


FIG. 7

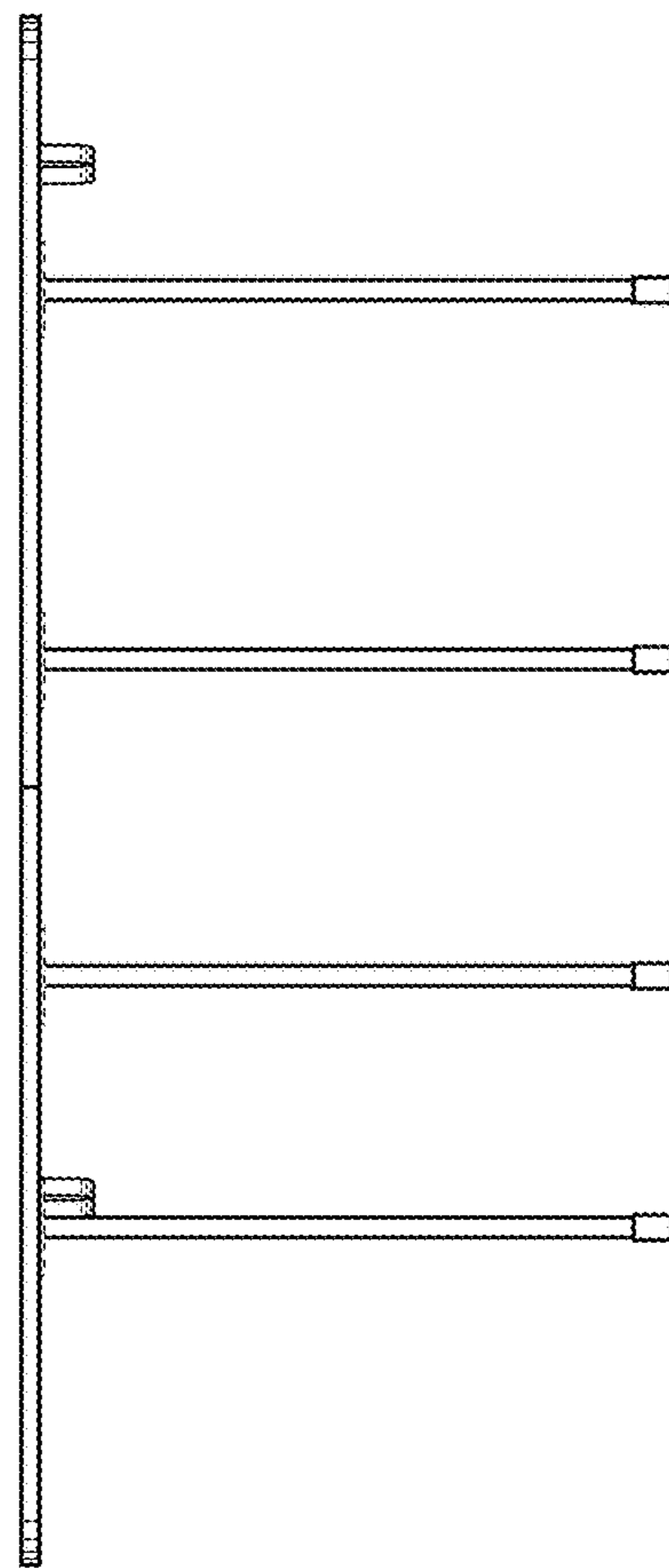


FIG. 8

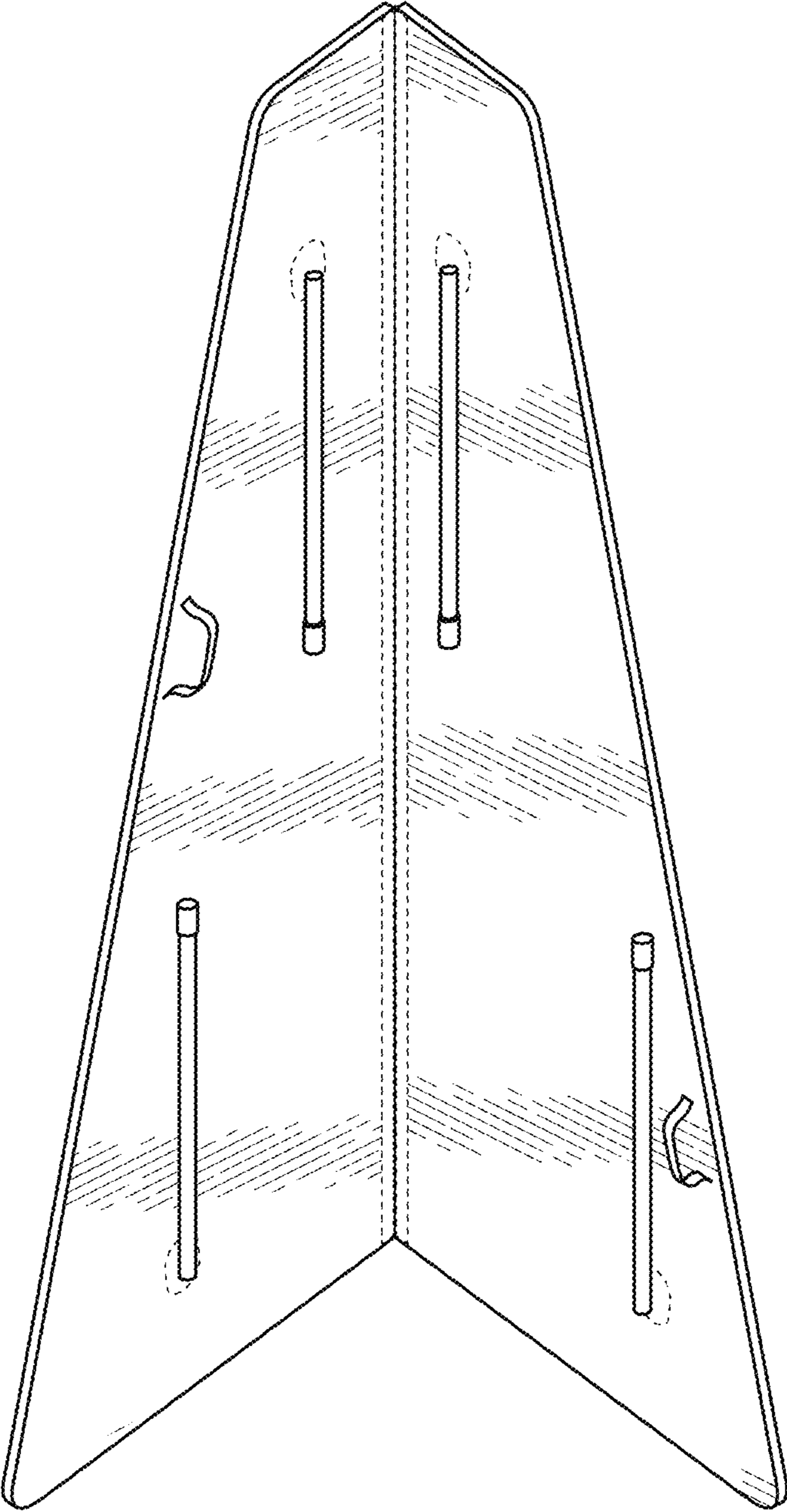


FIG. 9

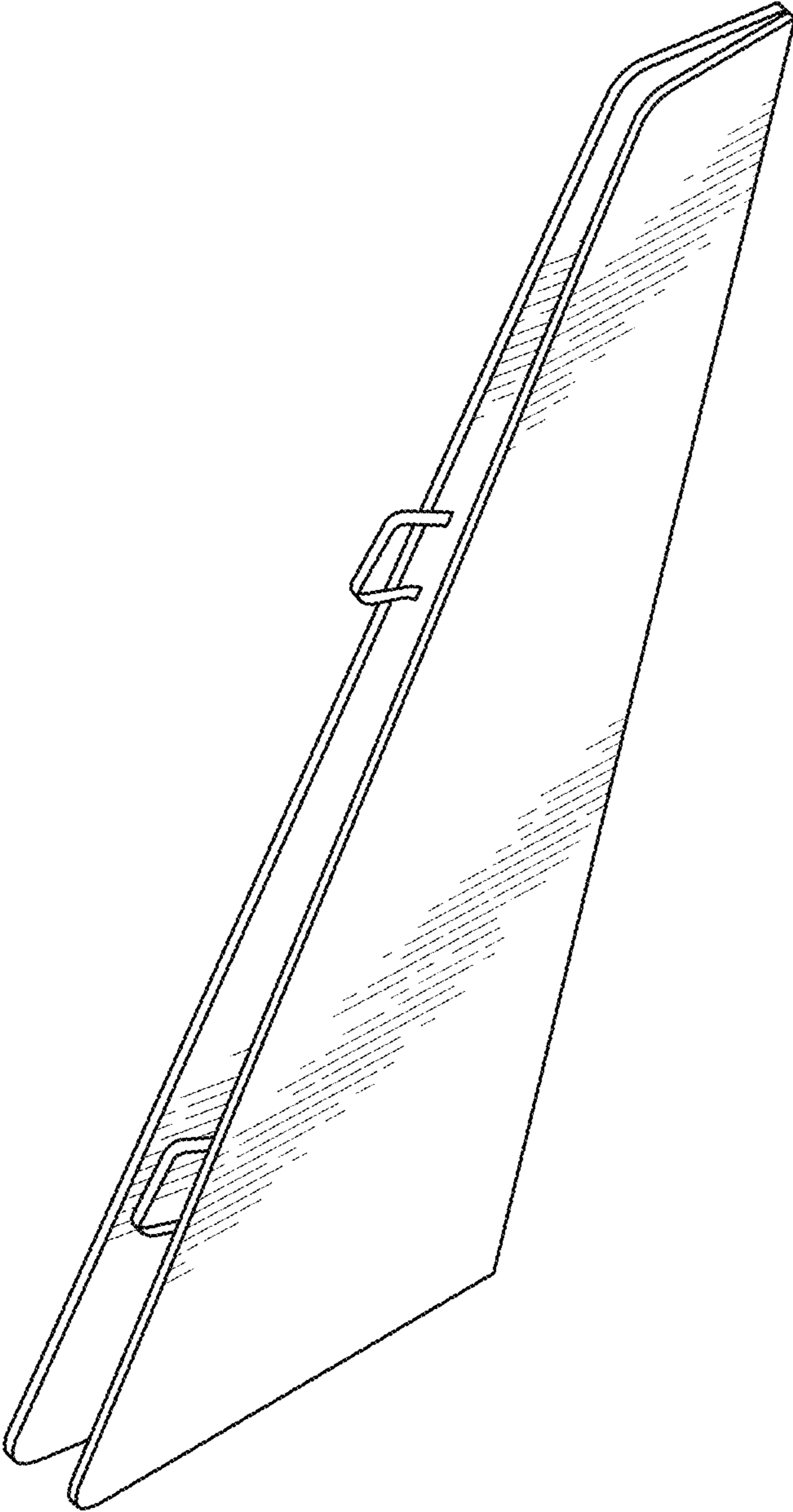


FIG. 10