



US00D834860S

(12) **United States Design Patent** (10) **Patent No.:** **US D834,860 S**
McKenna et al. (45) **Date of Patent:** **** Dec. 4, 2018**

(54) **CONSOLE**
(71) Applicant: **Steelcase Inc.**, Grand Rapids, MI (US)
(72) Inventors: **Mark McKenna**, East Grand Rapids, MI (US); **Ryan D. Vaughan**, Lowell, MI (US)
(73) Assignee: **Steelcase Inc.**, Grand Rapids, MI (US)
(**) Term: **15 Years**
(21) Appl. No.: **29/606,909**
(22) Filed: **Jun. 8, 2017**
(51) **LOC (11) Cl.** **06-03**
(52) **U.S. Cl.**
USPC **D6/694**
(58) **Field of Classification Search**
USPC D6/671, 672, 675, 686, 687, 688.26, D6/688.27, 691, 691.1, 691.3, 691.4, D6/691.6, 691.8, 691.9, 693, 694, 695, D6/695.1, 696, 696.1, 696.3, 697, 702, D6/707.15, 708, 708.17, 709, 710
CPC A47B 13/06; A47B 2013/026; A47B 1/08; A47B 2003/0821; A47B 3/087; A47B 3/0911; A47B 3/0918
See application file for complete search history.

D312,171 S 11/1990 Roth
D315,366 S 3/1991 Greenspahn
5,009,379 A 4/1991 Sadler
D325,035 S 3/1992 Sparks
5,358,208 A 10/1994 Moseley et al.
5,359,741 A 11/1994 Lang
D409,992 S 5/1999 Mockett
D457,363 S 5/2002 Fisher
D492,727 S 7/2004 Nuttall et al.
6,833,988 B2 12/2004 Kamphuis et al.
D508,633 S 8/2005 Kozlowski et al.
D511,257 S * 11/2005 Chabot D6/691.4
7,261,270 B2 8/2007 Chen et al.
D559,850 S 1/2008 Lye et al.
D591,074 S 4/2009 Powers et al.
D591,303 S 4/2009 Heggland et al.
D613,796 S 4/2010 Kim
D617,361 S 6/2010 Simonsen et al.
D620,287 S 7/2010 Haudressy
D644,456 S * 9/2011 Martin D6/690
D649,192 S 11/2011 Beukema et al.
D651,651 S 1/2012 Beukema et al.

(Continued)

Primary Examiner — Mary Ann Calabrese
Assistant Examiner — Catherine Ho

(57) **CLAIM**

We claim the ornamental design for a console, as shown and described.

DESCRIPTION

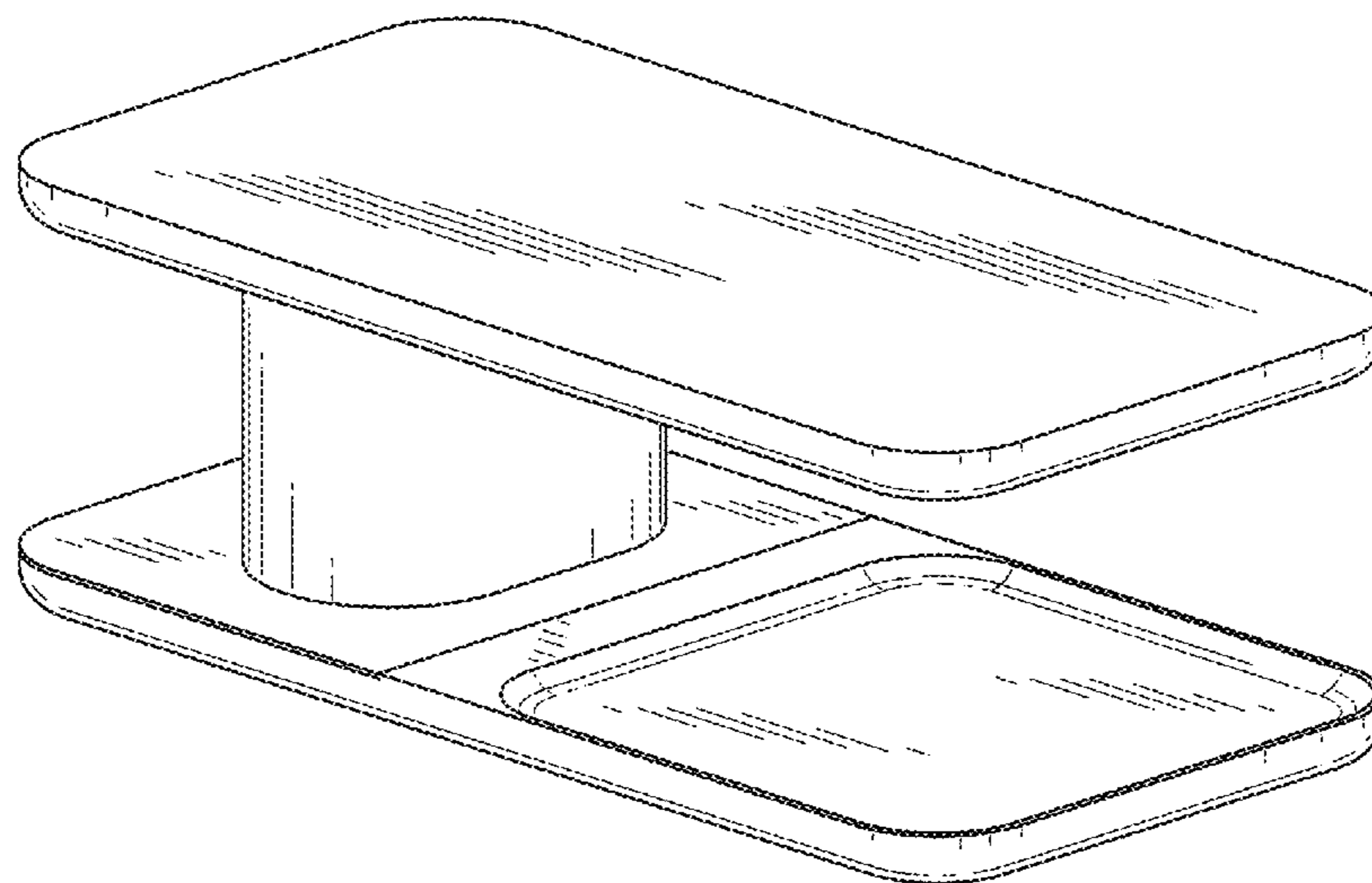
FIG. 1 is a front perspective view of a console, showing our new design;
FIG. 2 is a rear perspective view thereof;
FIG. 3 is a front view thereof;
FIG. 4 is a rear view thereof;
FIG. 5 is a right side view thereof, the left side view being a mirror image thereof;
FIG. 6 is a top view thereof; and,
FIG. 7 is a bottom view thereof.

1 Claim, 3 Drawing Sheets

(56) **References Cited**

U.S. PATENT DOCUMENTS

3,058,793 A 10/1962 Schultz
D275,161 S 8/1984 Shelton
D275,164 S * 8/1984 Buck D6/696.1
D286,833 S 11/1986 Cervero
D288,637 S * 3/1987 Winzeler, III D34/21
D290,706 S 7/1987 Peart et al.
D292,255 S * 10/1987 Winzeler, III D6/691.8
D299,601 S 1/1989 Campbell
4,819,568 A 4/1989 Coffrin
D306,365 S 2/1990 Brown et al.



(56)

References Cited

U.S. PATENT DOCUMENTS

D655,950 S	3/2012	Kvello	
D668,477 S *	10/2012	Eicke	D6/696.3
D692,012 S	10/2013	Thorne et al.	
D692,264 S *	10/2013	Weatherly	D6/692.3
D731,216 S *	6/2015	Sorel	D6/690
D731,661 S *	6/2015	Cox	D24/185
D736,393 S *	8/2015	Cox	D24/185
D750,405 S *	3/2016	Muller	D6/708.17
D751,564 S	3/2016	Hahn et al.	
D765,449 S	9/2016	Buller	
D773,201 S	12/2016	Cardell	
D775,872 S	1/2017	Choi	
D777,435 S	1/2017	Hecht et al.	
D795,616 S *	8/2017	Muller	D6/695
9,913,532 B1 *	3/2018	Jones	A47B 9/00

* cited by examiner

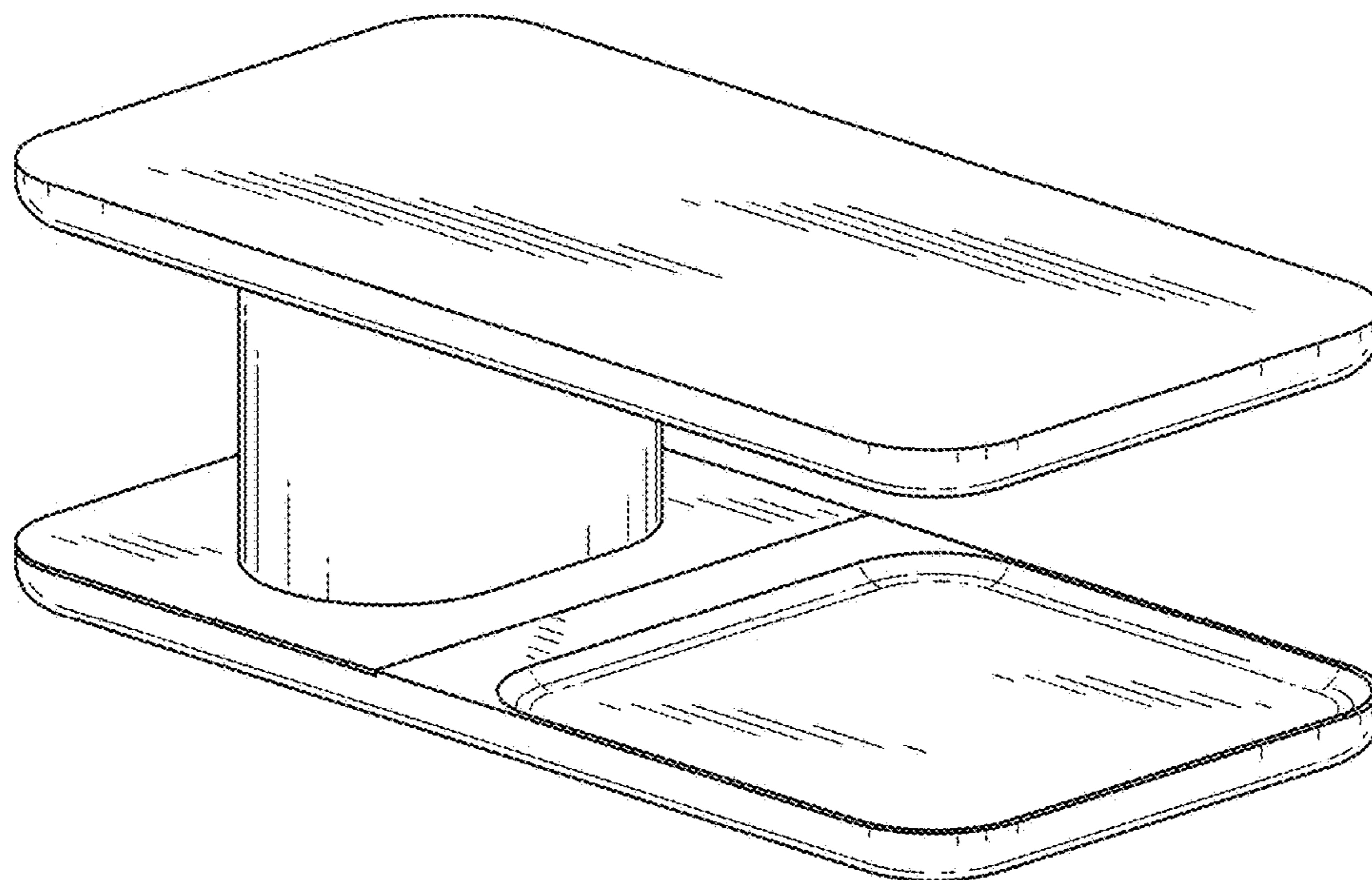


FIG. 1

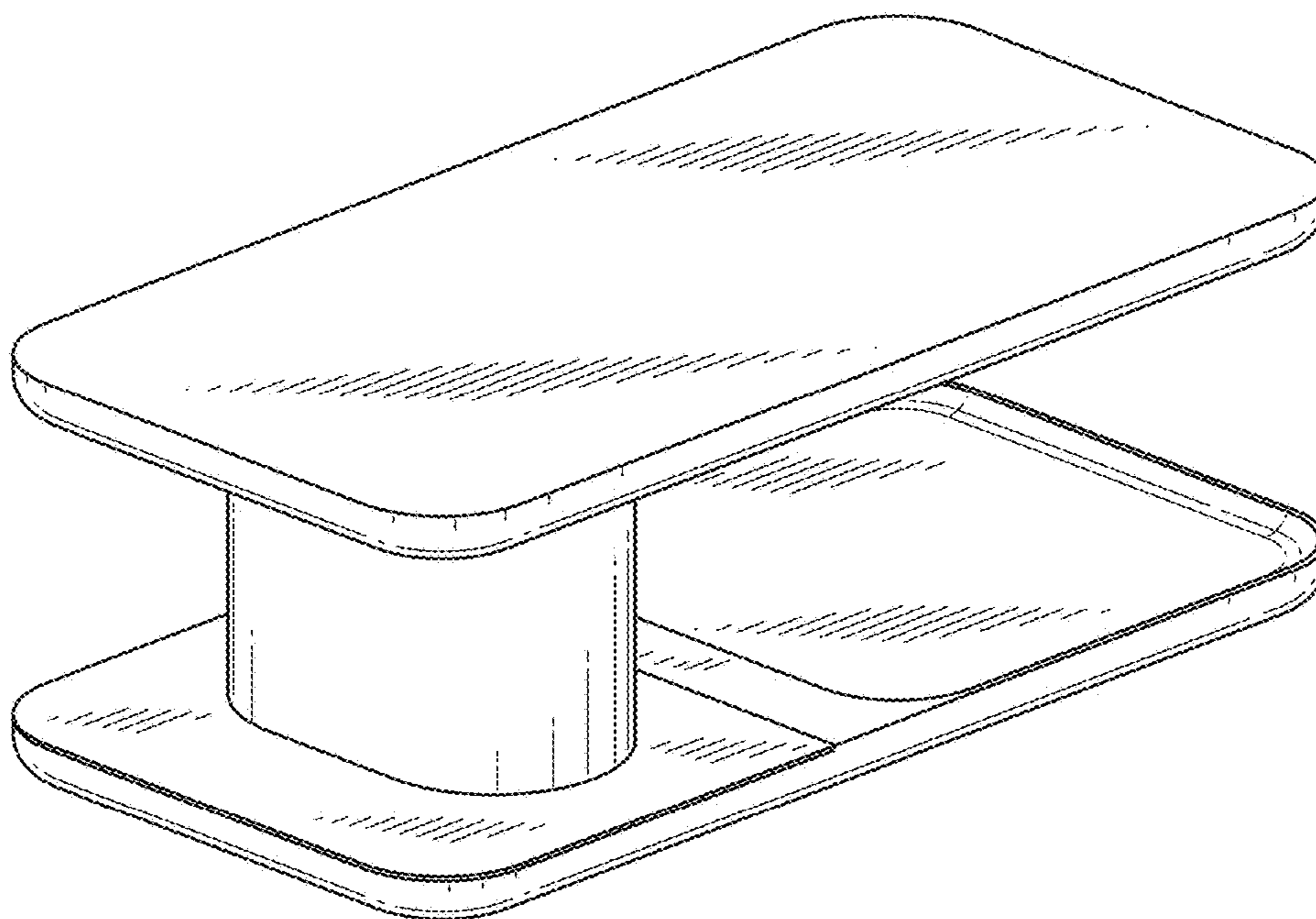


FIG. 2

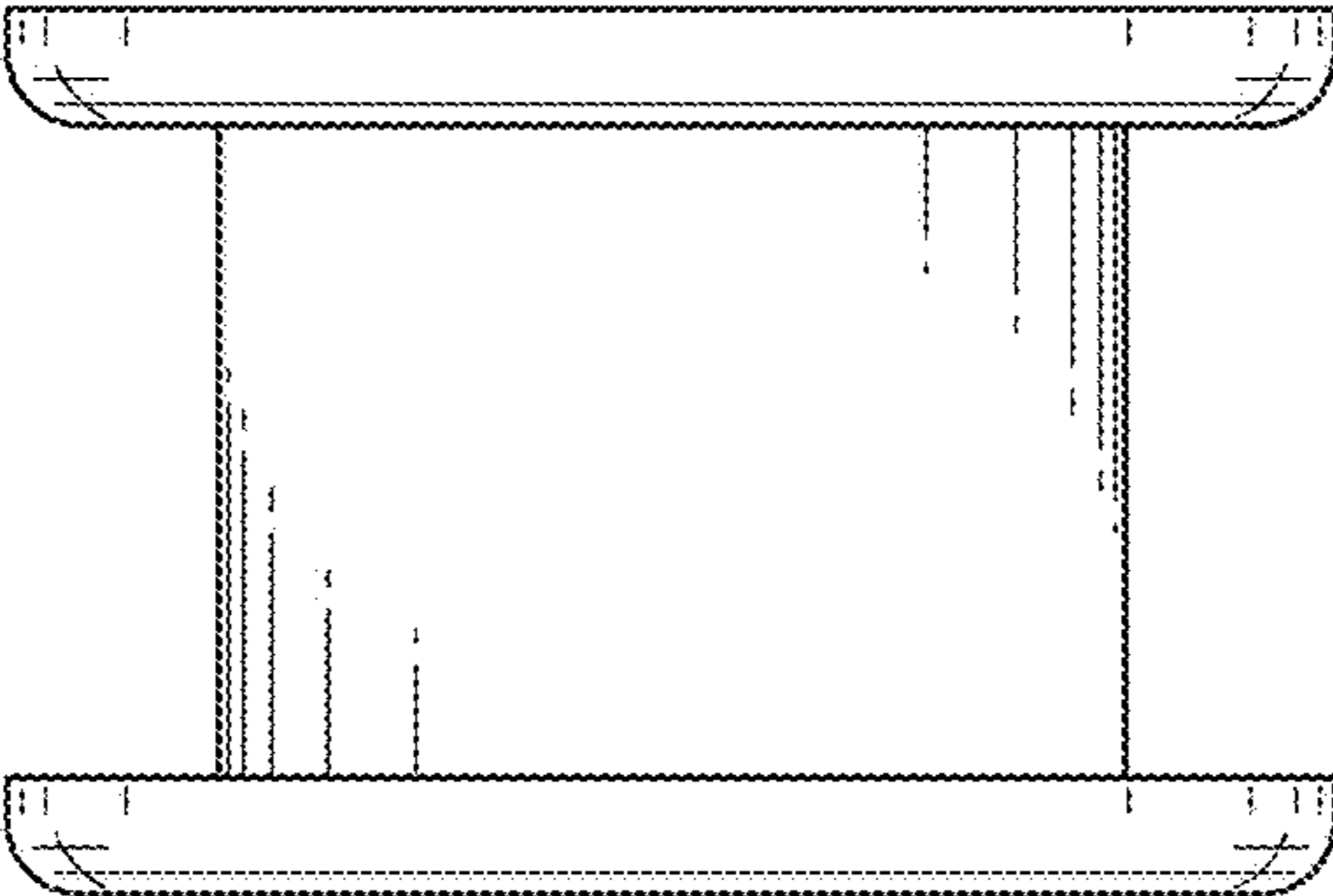


FIG. 3

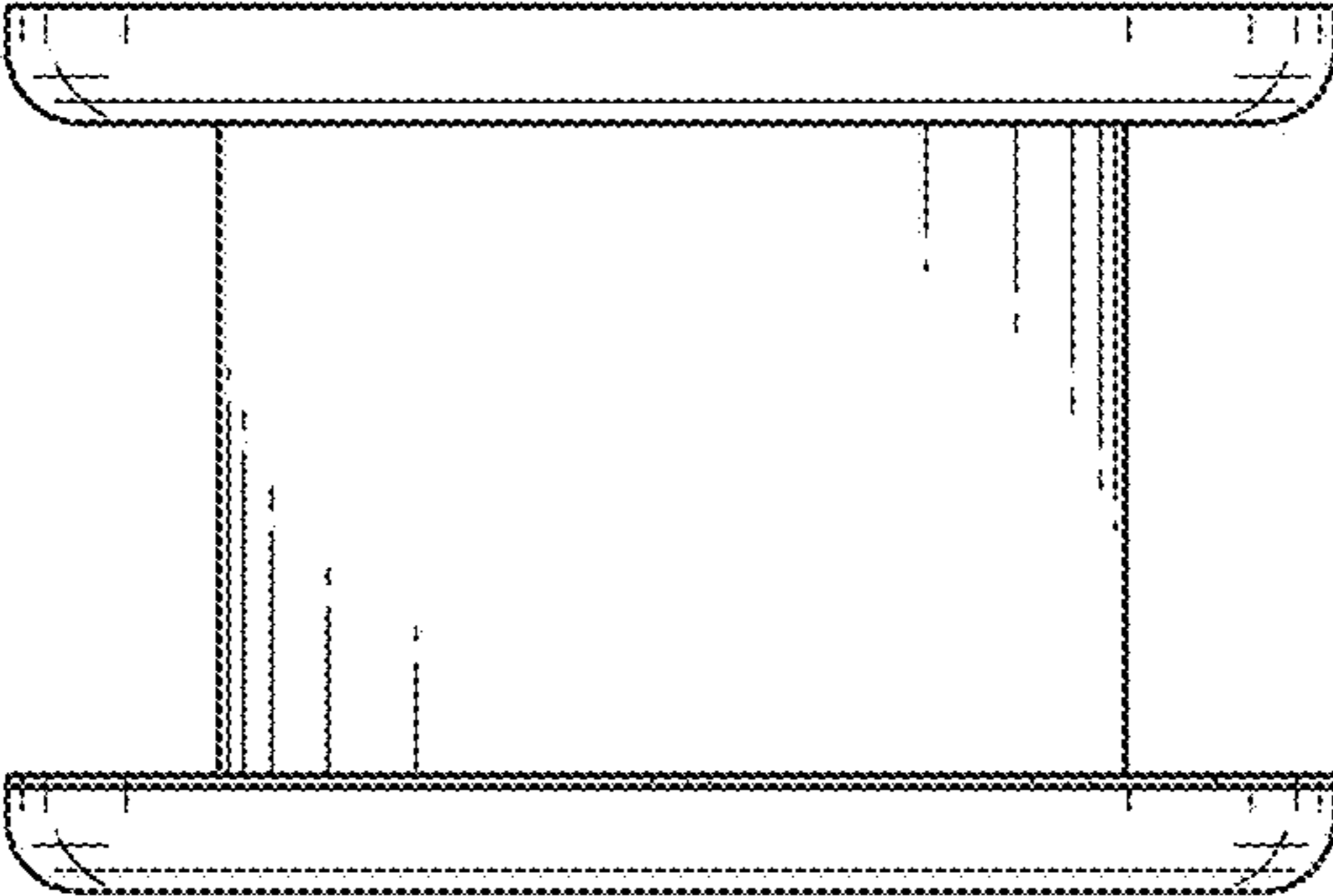


FIG. 4

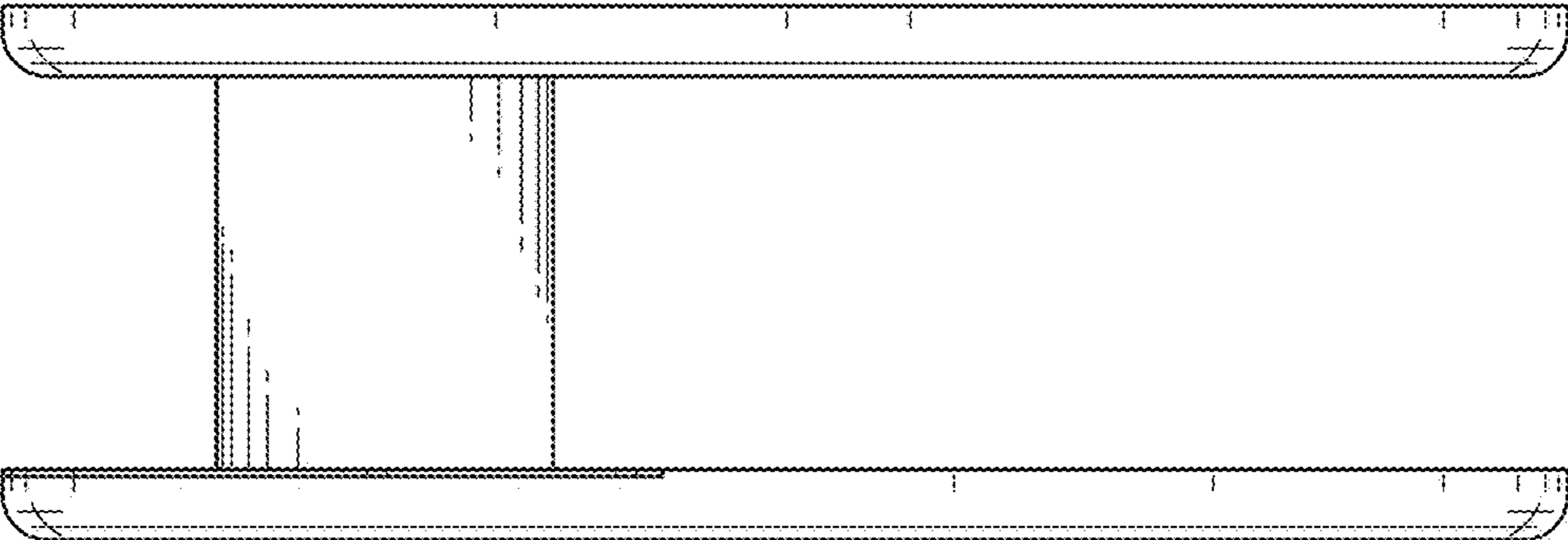


FIG. 5

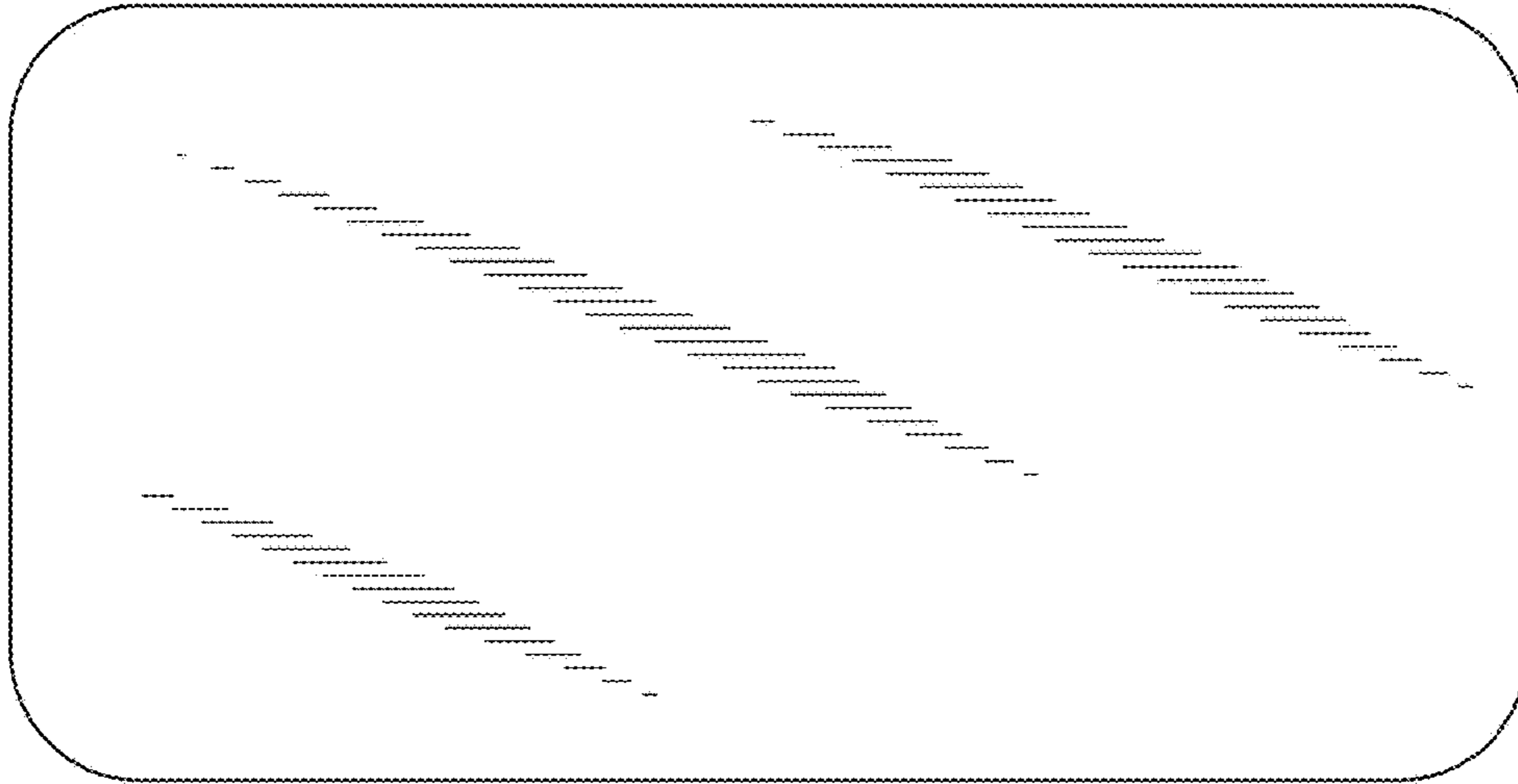


FIG. 6

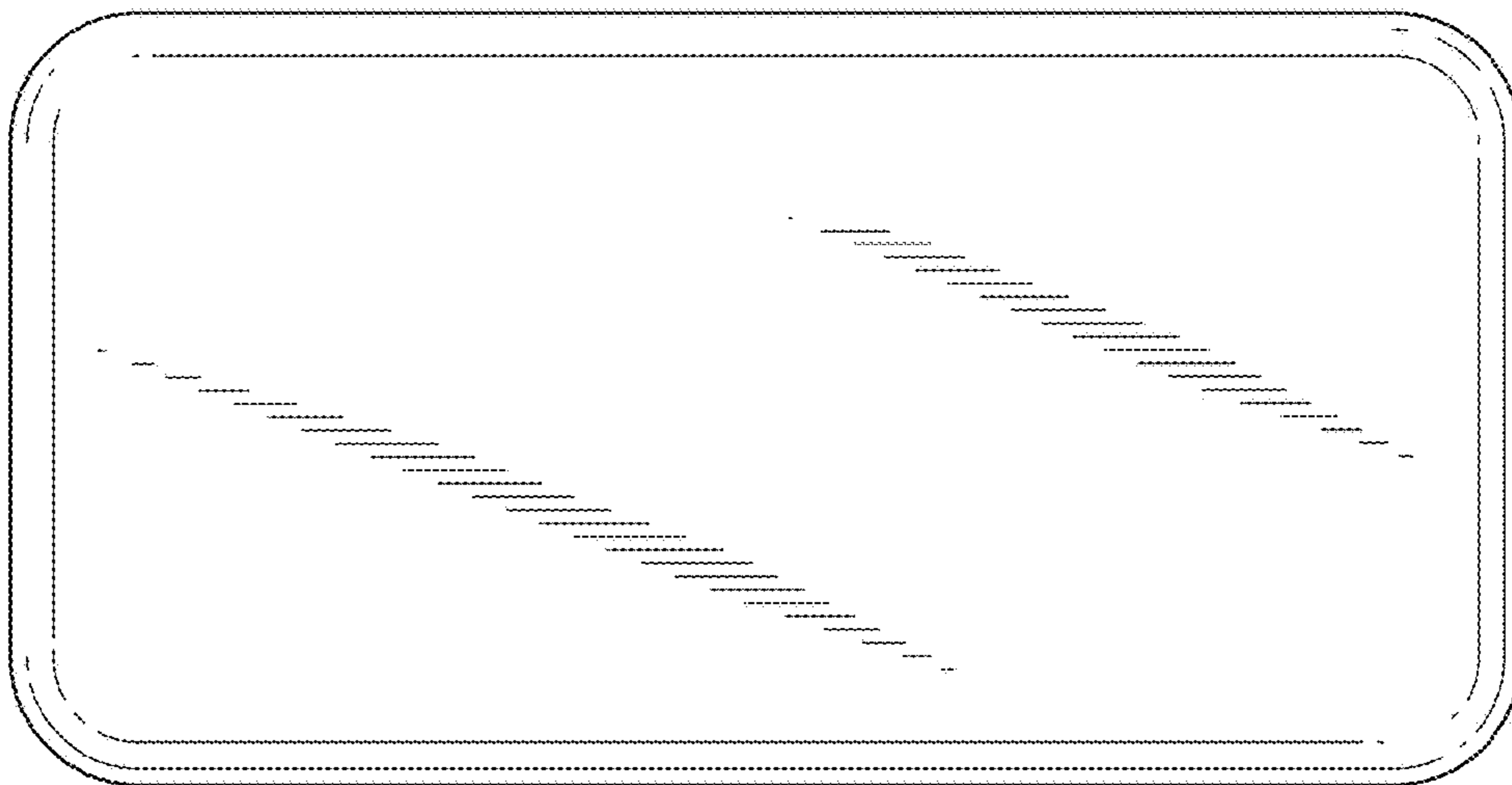


FIG. 7