



US00D834859S

(12) **United States Design Patent** (10) **Patent No.:** **US D834,859 S**
Hawkins (45) **Date of Patent:** **** Dec. 4, 2018**

(54) **BIN DISPLAY**
(71) Applicant: **Target Brands, Inc.**, Minneapolis, MN (US)
(72) Inventor: **Laura L. Hawkins**, Minneapolis, MN (US)
(73) Assignee: **Target Brands, Inc.**, Minneapolis, MN (US)

(**) Term: **15 Years**

(21) Appl. No.: **29/546,970**

(22) Filed: **Nov. 30, 2015**

(51) **LOC (11) Cl.** **06-06**

(52) **U.S. Cl.**
USPC **D6/675.4**

(58) **Field of Classification Search**
USPC D6/675, 675.1, 675.4; D7/589, 590, 601, D7/602; D3/304, 313, 328
CPC A47F 5/00; A47F 5/0018; A47F 5/0043; A47F 7/0007; A47F 7/0014; B65D 21/0235; B65G 1/00; A47B 53/00; A47B 53/02

See application file for complete search history.

(56) **References Cited**

U.S. PATENT DOCUMENTS

D93,083 S * 8/1934 Wright D6/675.4
D103,869 S * 3/1937 Follett D6/675.4
2,155,190 A * 4/1939 Heinz A47F 5/116
211/135
D121,869 S * 8/1940 Gosnel D6/675.4
D127,672 S * 6/1941 Brown D6/675.4
D231,760 S * 6/1974 Molzen D6/571
D277,532 S * 2/1985 Duhamel D34/17
D284,049 S * 6/1986 Nathan D19/92
D389,657 S * 1/1998 Sigal D6/675.4
D394,565 S * 5/1998 Wang D6/675.4
D424,356 S * 5/2000 Hahn D6/571
D526,512 S * 8/2006 Hahn D19/90

7,516,854 B2 * 4/2009 Brown A47B 87/0261
211/126.13
D634,952 S * 3/2011 Gile D6/515
D654,726 S * 2/2012 Nealon D6/683.1
D734,958 S * 7/2015 Gosling D6/556
D749,849 S * 2/2016 Baruch D3/310
D781,625 S * 3/2017 Poniatoski D6/683
(Continued)

OTHER PUBLICATIONS

Home Depot, "Small Wood Crate", http://www.homedepot.com/p/Houseworks-Crates-and-Pallet-11-75-in-x-9-5-in-x-4-75-in-Small-Wood-Crate-94613/203651416?cm_mmc=shopping-_bingpa-_23-_203651416&ci_src=328768002&ci_sku=203651416, at least as early as Sep. 4, 2015, 1 page.

(Continued)

Primary Examiner — Kelley A Donnelly
(74) *Attorney, Agent, or Firm* — Leanne Taveggia Farrell; Westman, Champlin & Koehler, P.A.

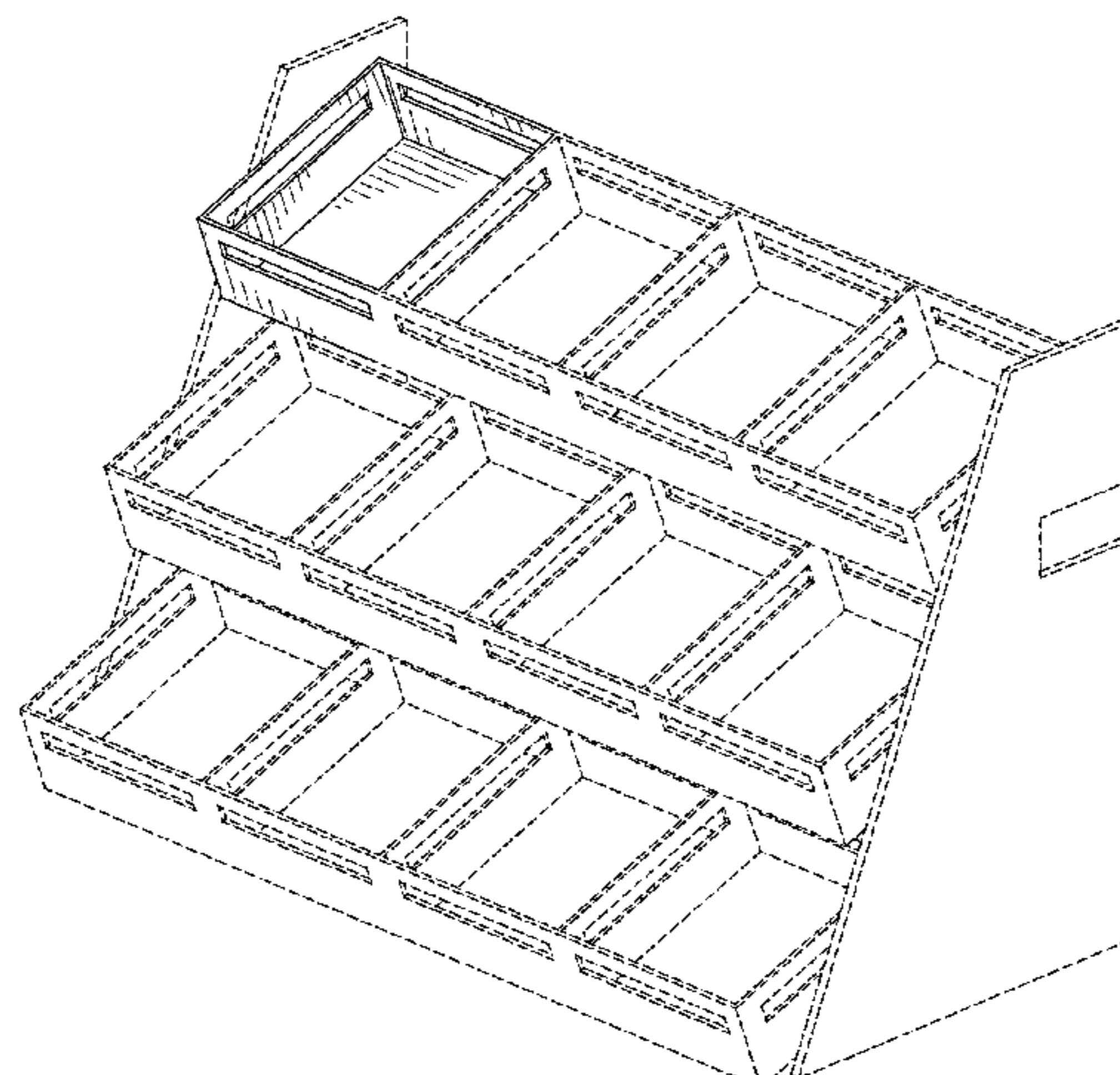
(57) **CLAIM**

The ornamental design for a bin display, as shown and described.

DESCRIPTION

FIG. 1 is a perspective view of a first embodiment of a bin display showing our new design;
FIG. 2 is a top view thereof;
FIG. 3 is a front view thereof;
FIG. 4 is a back view thereof;
FIG. 5 is a left side view thereof; and,
FIG. 6 is a right side view thereof.
The broken lines illustrate portions of the bin display and form no part of the claimed design.
Although many elements are shown in solid lines in the drawings, it is contemplated by the inventor that one or more elements may be converted to broken lines, such as one or more of the bins, the side panels, the top panel and the end base.

1 Claim, 5 Drawing Sheets



(56)

References Cited

U.S. PATENT DOCUMENTS

D815,471 S * 4/2018 Radford D6/675.4
2006/0016811 A1* 1/2006 Wang B65D 11/186
220/4.26
2008/0121253 A1* 5/2008 Shotwell A47L 15/505
134/25.4
2008/0128414 A1* 6/2008 Braun A47F 13/085
220/23.4
2009/0178989 A1* 7/2009 Accuardi A47B 87/0269
211/126.7

OTHER PUBLICATIONS

Specialty Wood Products, "3 Tier Crate Display", <http://www.specwood.com/bc3.htm>, at least as early as Sep. 4, 2015, 1 page.

All Store Displays, "Wooden Country Barn Style Store Floor Display", http://www.allstoredisplays.com/Wooden-Country-Barn-Style-Store-Floor-Display--39-_p_598.html, at least as early as Sep. 4, 2015, 1 page.

Candy Concepts, "Large Wooden Display Rack With 9 Crates", http://www.candyconceptsinc.com/Large-Wooden-Display-Rack-With-9-Crates_p_3998.html, at least as early as Sep. 4, 2015, 1 page.

* cited by examiner

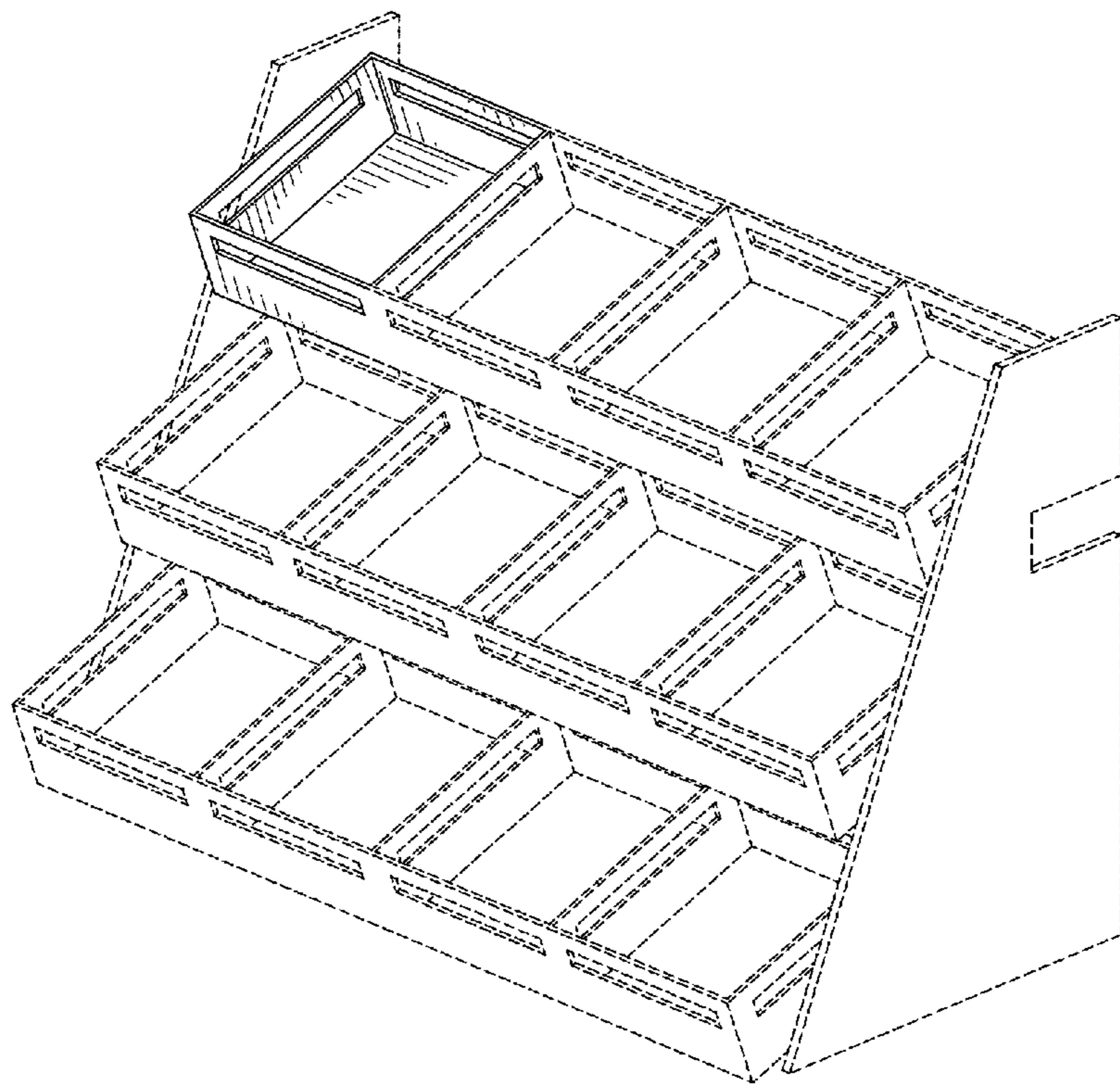


Fig. 1

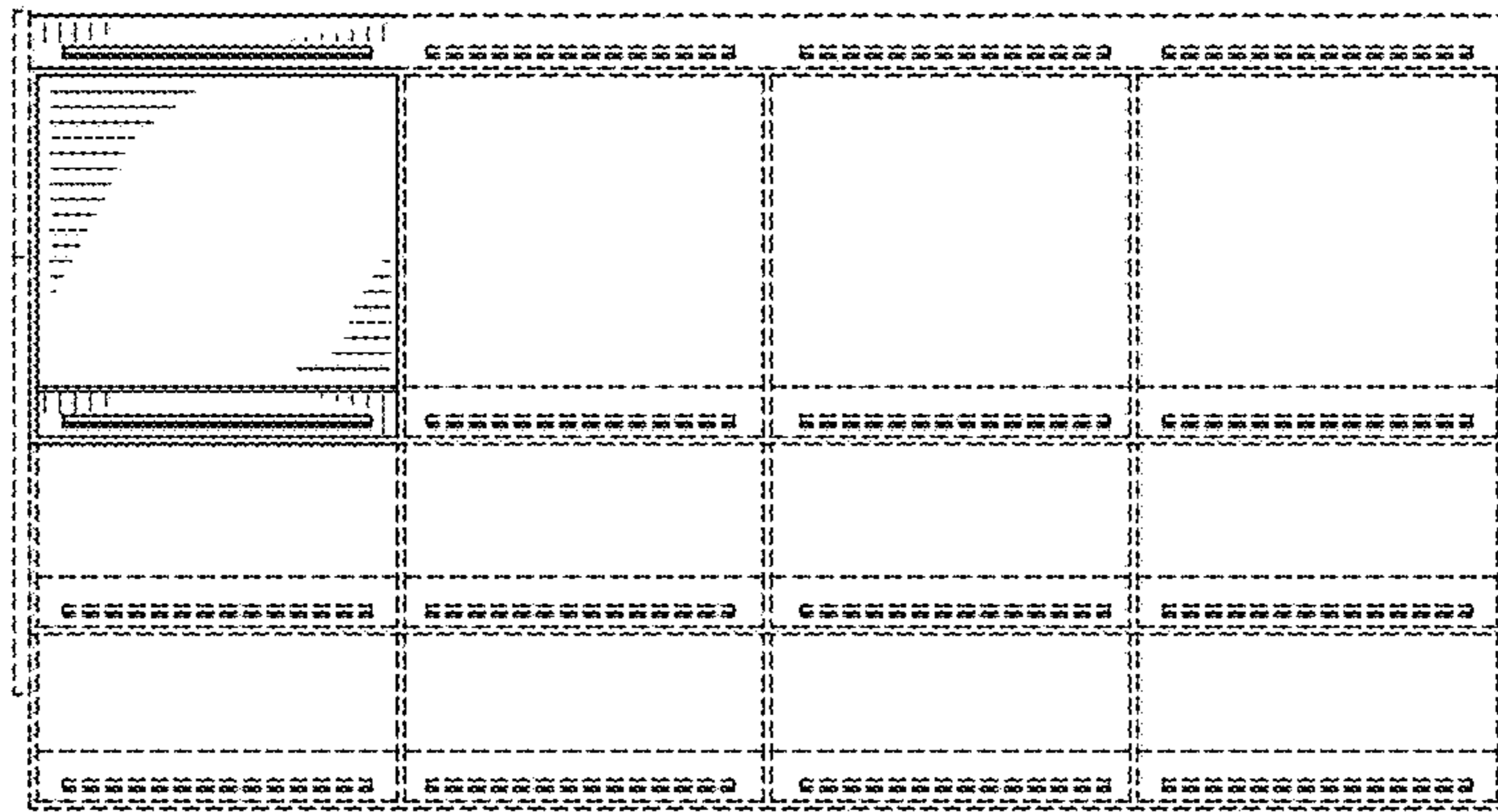


Fig. 2

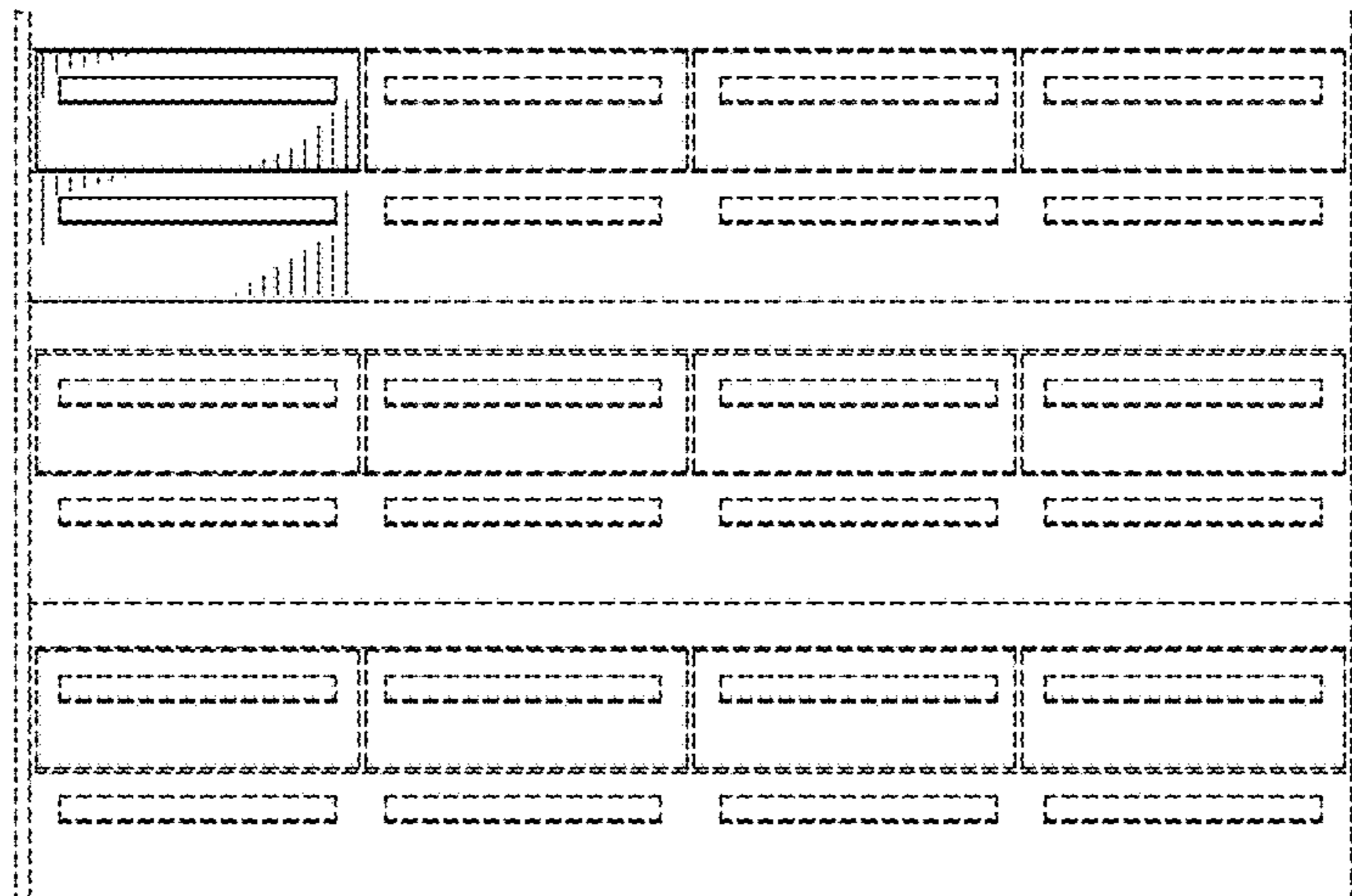


Fig. 3

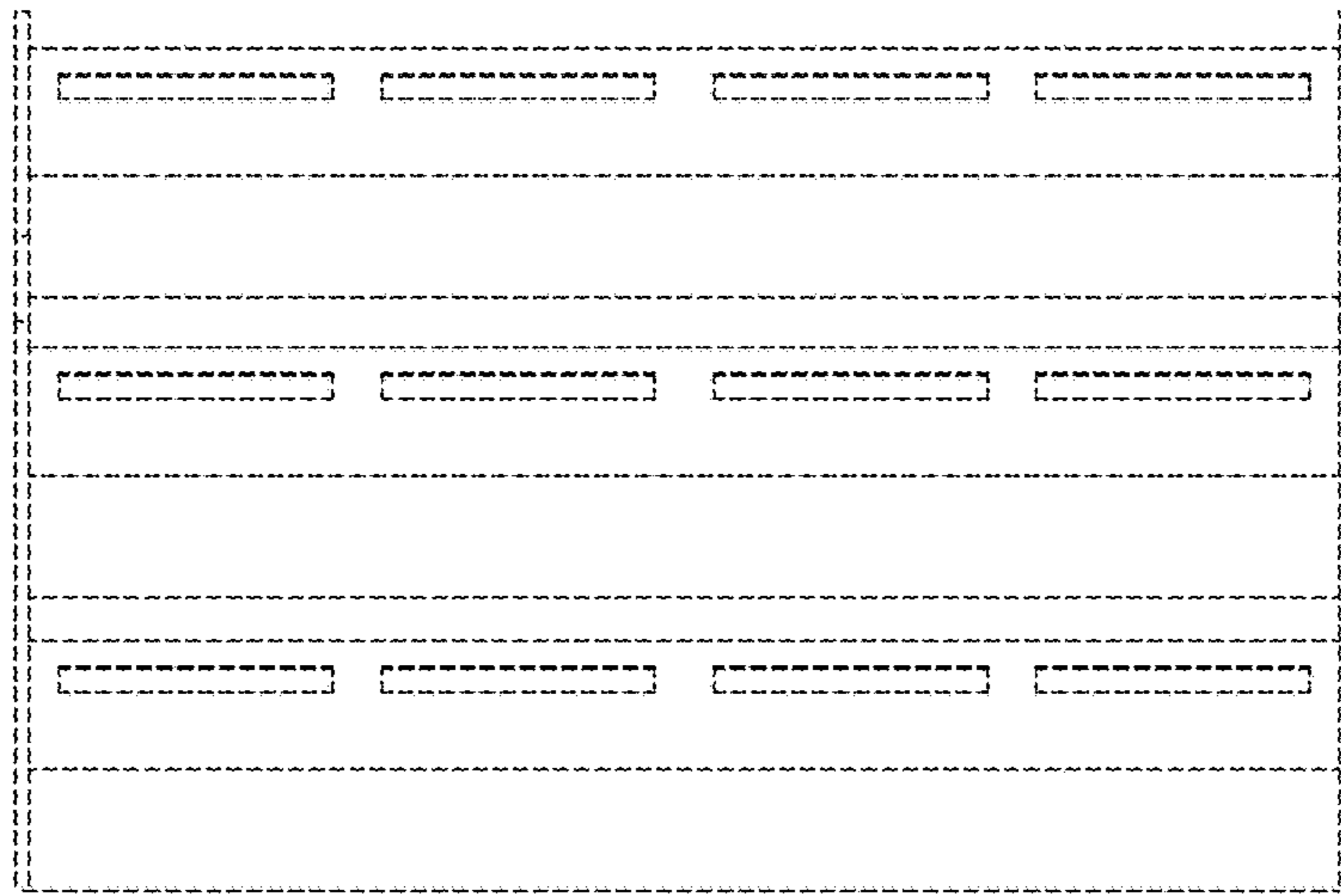


Fig. 4

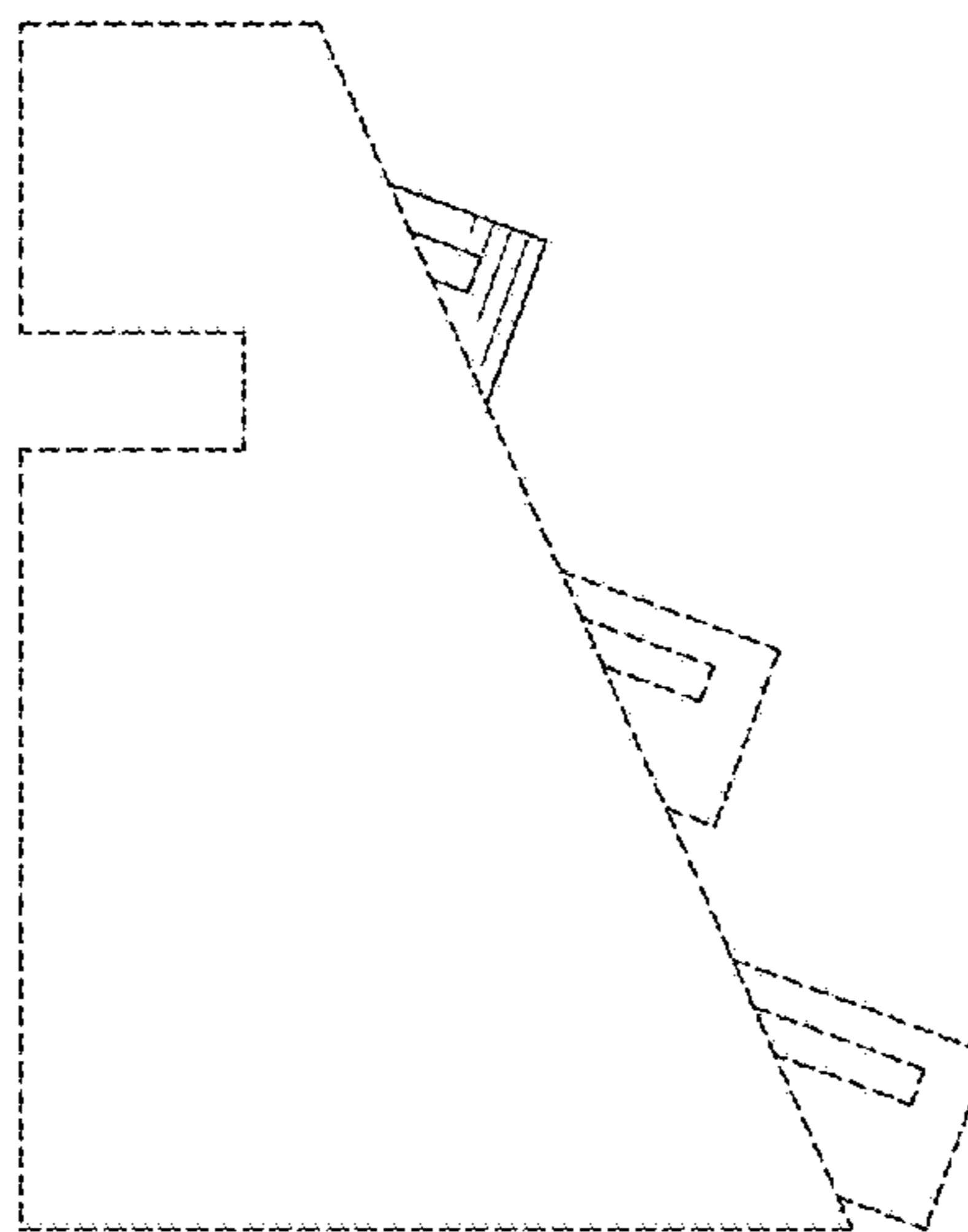


Fig. 5

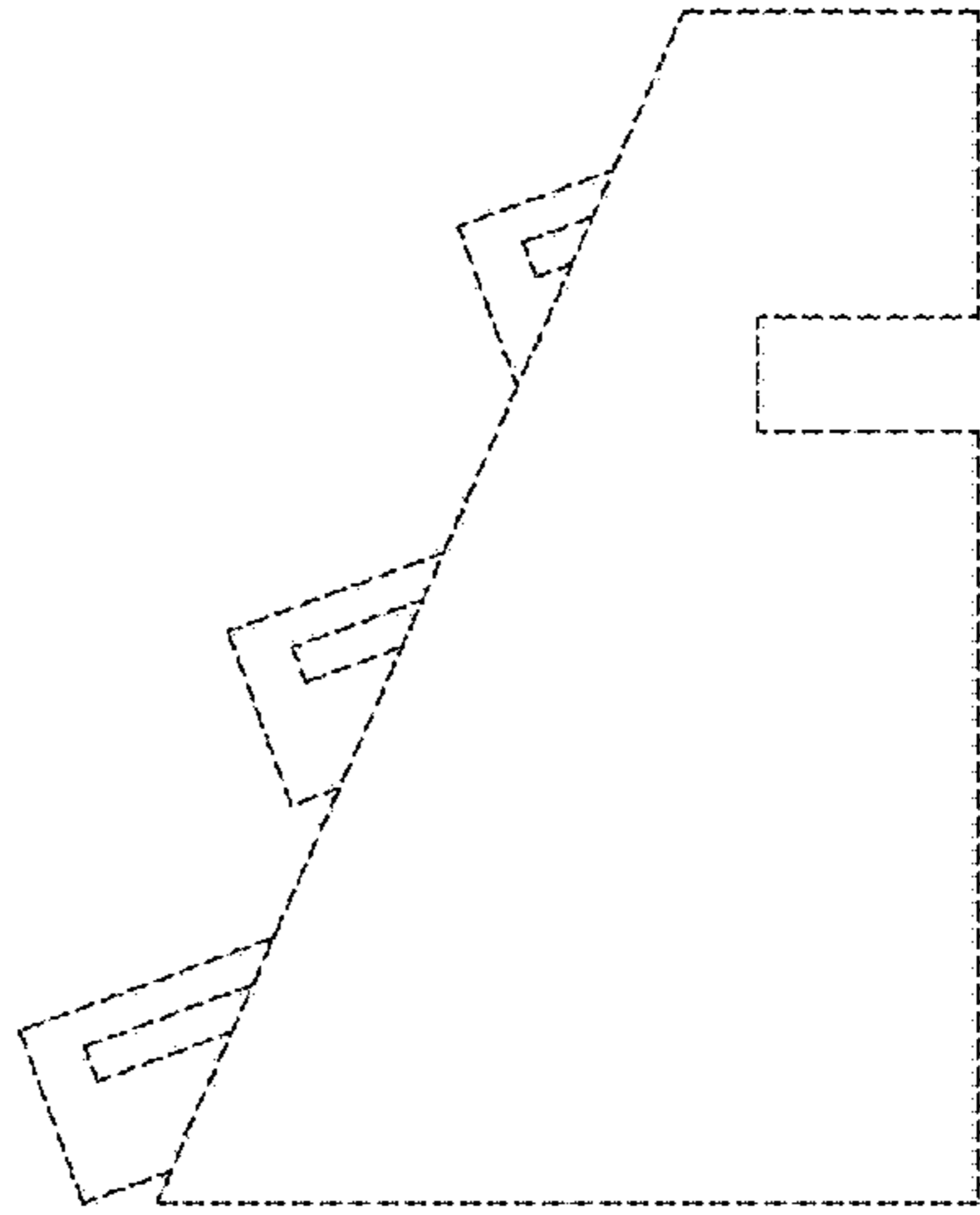


Fig. 6

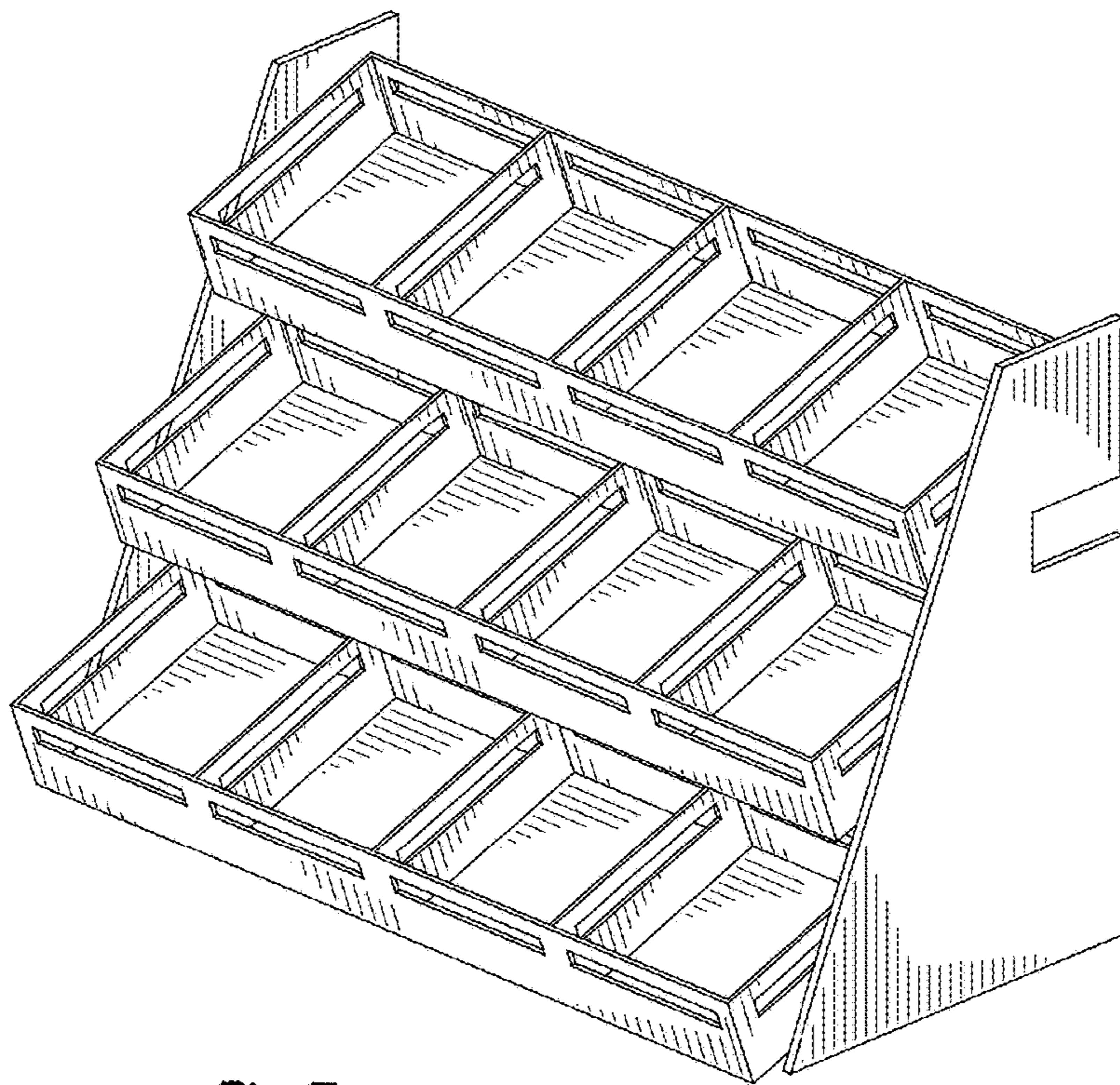


Fig. 7