



US00D834852S

(12) **United States Design Patent**
Davis

(10) **Patent No.:** **US D834,852 S**

(45) **Date of Patent:** **** Dec. 4, 2018**

(54) **OVERBED TABLE**

(71) Applicant: **Bradford L. Davis**, Holland, MI (US)

(72) Inventor: **Bradford L. Davis**, Holland, MI (US)

(**) Term: **15 Years**

(21) Appl. No.: **29/629,435**

(22) Filed: **Dec. 13, 2017**

(51) **LOC (11) Cl.** **06-06**

(52) **U.S. Cl.**
USPC **D6/406.1**

(58) **Field of Classification Search**

USPC D6/406.1, 406.2, 406.3, 406.4, 406.5,
D6/406.6, 672, 675, 656, 656.15
CPC A47B 23/00; A47B 23/04; A47B 2023/049
See application file for complete search history.

(56) **References Cited**

U.S. PATENT DOCUMENTS

1,955,835 A	4/1934	Samstag	
2,078,665 A	4/1937	Horsley	
2,272,819 A	2/1942	Poetsch et al.	
2,716,045 A	8/1955	Berner	
3,330,611 A	7/1967	Heifetz	
3,682,113 A	8/1972	McClellan	
3,837,041 A	9/1974	Modert et al.	
4,061,227 A	12/1977	Olbres	
4,418,628 A	12/1983	Cahill	
4,863,178 A	9/1989	Friesen	
4,941,570 A	7/1990	Kruger et al.	
5,069,466 A	12/1991	Propst	
5,460,392 A	10/1995	Hansen	
5,577,818 A	11/1996	Sayre	
D456,178 S	4/2002	Couture et al.	
D514,057 S *	1/2006	Borunda	D12/426.1
D588,829 S	3/2009	Rheault et al.	
7,540,243 B2	6/2009	George et al.	
D651,651 S *	1/2012	Beukema	D13/139.1

(Continued)

OTHER PUBLICATIONS

AmFab Ability One Executive II Split-top Overbed Table/Model 4950H, 4950U (Prior Art); at least as early as Jul. 26, 2010.

(Continued)

Primary Examiner — Kelley A Donnelly

(74) *Attorney, Agent, or Firm* — Warner Norcross + Judd LLP

(57) **CLAIM**

The ornamental design for an overbed table, as shown and described.

DESCRIPTION

FIG. 1 is a top, left, front view of the overbed table embodying my new design;

FIG. 2 is a bottom, right, front view thereof;

FIG. 3 is a top view thereof;

FIG. 4 is a bottom view thereof;

FIG. 5 is a front view thereof;

FIG. 6 is a rear view thereof;

FIG. 7 is a right view thereof;

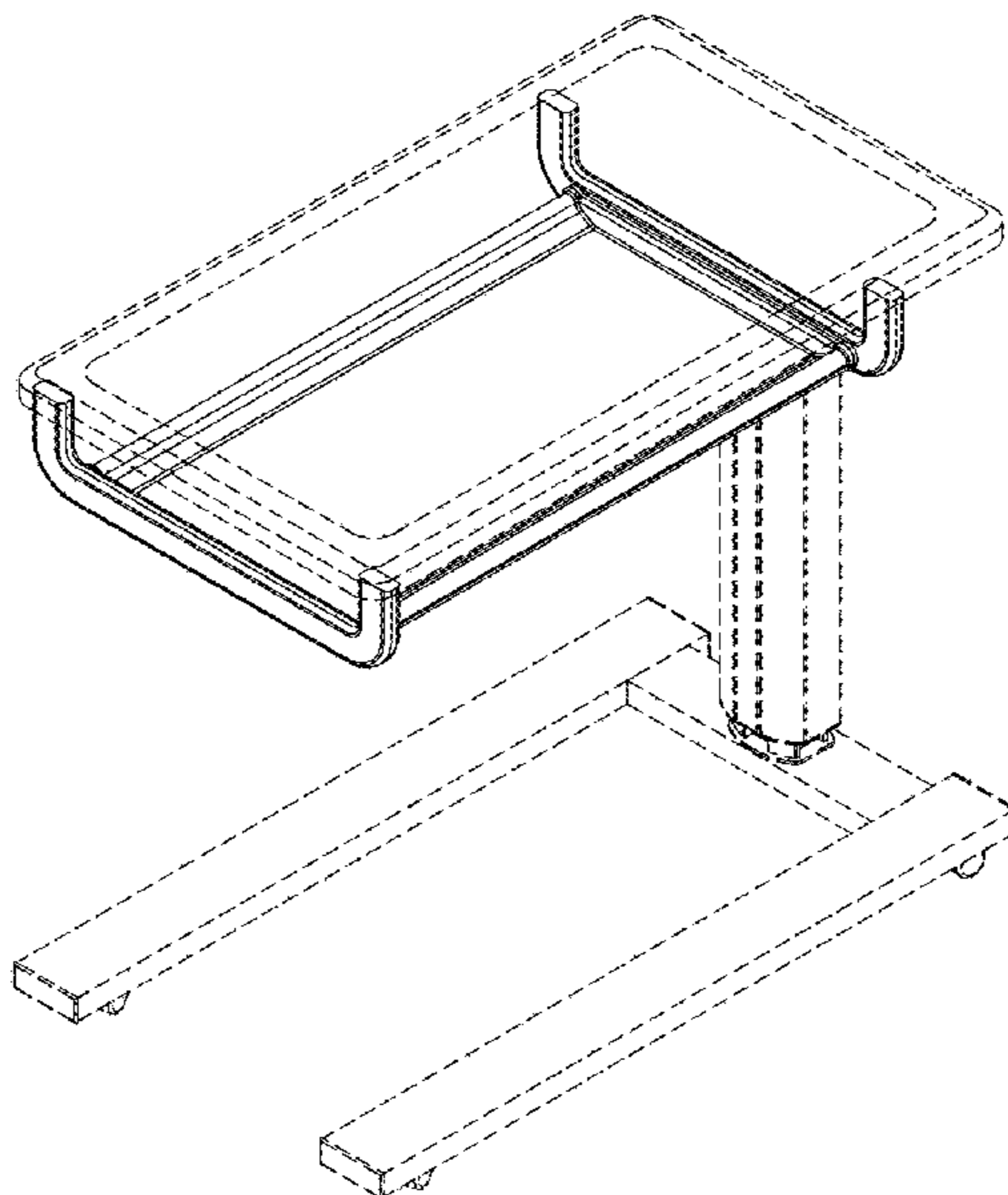
FIG. 8 is a left view thereof;

FIG. 9 is an top, left, front view of the claimed portion of the overbed table; and,

FIG. 10 is a bottom, right, front view of the claimed portion of the overbed table.

FIGS. 1-8 show portions of an overbed table in broken lines. The broken line portions are shown for environmental purposes and do not form any part of the claimed design. To facilitate understanding of the claimed design, the broken line portions are presented in invisible form allowing the claimed design to be seen through the broken line portions. It should be understood that the broken line portions are, in fact, solid and therefore would not allow viewing of any underlying portions of the claimed design.

1 Claim, 10 Drawing Sheets



(56)

References Cited

OTHER PUBLICATIONS

U.S. PATENT DOCUMENTS

D654,294 S 2/2012 Davis
 D687,656 S * 8/2013 Copeland D6/656.15
 D704,511 S * 5/2014 Beckman D7/552.2
 D722,061 S * 2/2015 Byrne D14/447
 D725,414 S * 3/2015 Goodman D6/675.5
 D725,944 S * 4/2015 Eubank D6/607
 8,997,660 B2 * 4/2015 Satterfield A47B 31/06
 108/44
 D729,403 S * 5/2015 Hage D24/227
 D769,247 S * 10/2016 Heyen D14/447
 D774,322 S * 12/2016 Schmauch D6/406.5
 D774,810 S * 12/2016 Biddle D6/691.4
 9,642,455 B1 * 5/2017 Albert A47B 23/046
 D801,072 S * 10/2017 Miller D6/406.2
 2009/0307843 A1 12/2009 Hookway et al.

Amico Patient Care Overbed Tables, Revised Jan. 2010 (Prior Art);
 at least as early as Jul. 26, 2010.
 Nuture vol. 2 Casegoods Specification Guide, Opus Mobile Overbed
 Table, p. 426, dated Jan. 2010 (Prior Art); at least as early as Jul. 26,
 2010.
 Stryker Tru-Fit Overbed Tables (Prior Art); at least as early as Jul.
 26, 2010.
 Overbed Tables Spec (Prior Art); at least as early as Jul. 26, 2010.
 Nuture Opus Overbed Table (Prior Art); at least as early as Jul. 26,
 2010.
 Nemschoff Tables EZ-123K (Prior Art); at least as early as Jul. 26,
 2010.
 Hill-Rom, Art of Care Overbed Table OBT636, OBT635, OBT634
 (Prior Art); at least as early as Jul. 26, 2010.

* cited by examiner

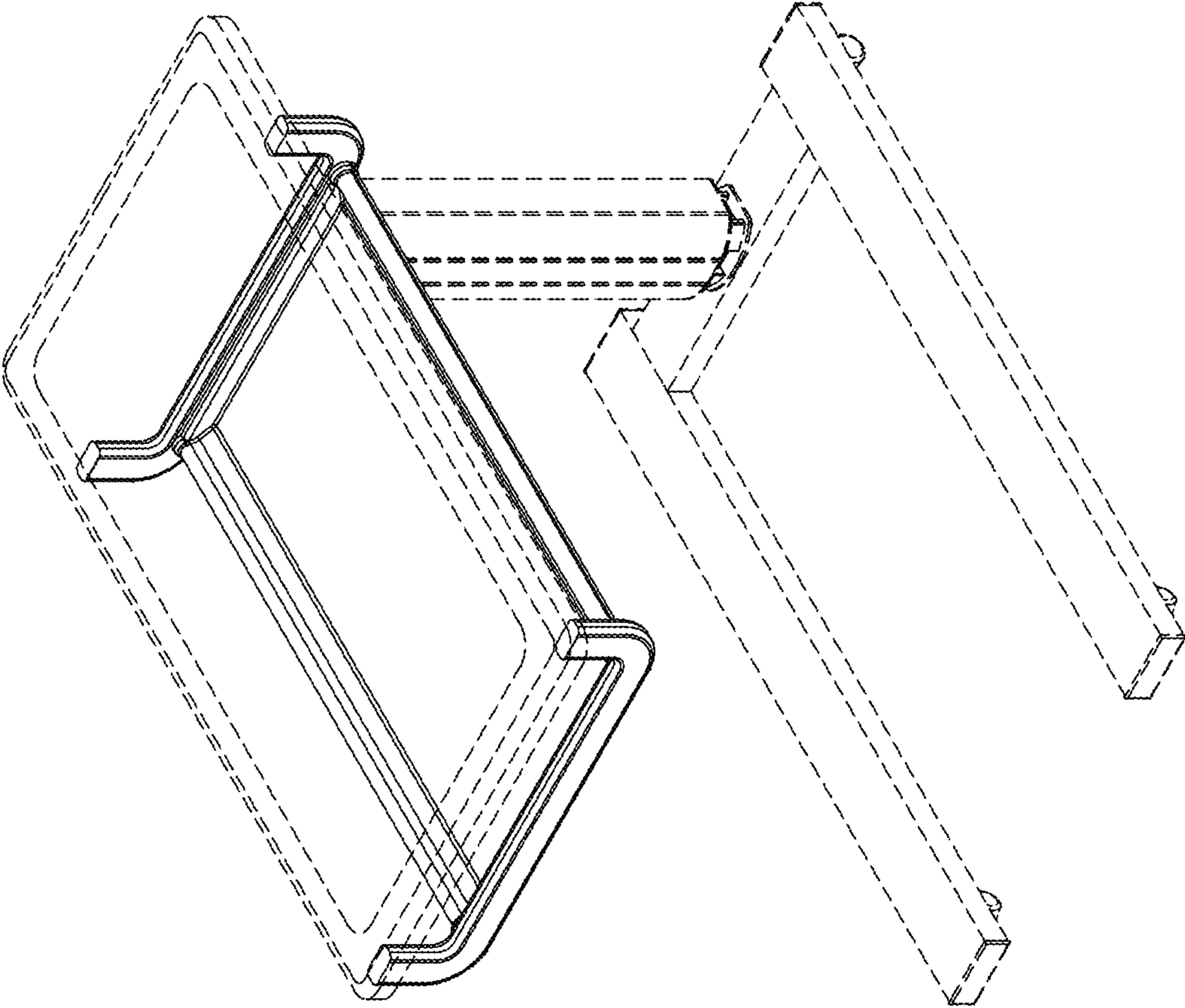


FIG. 1

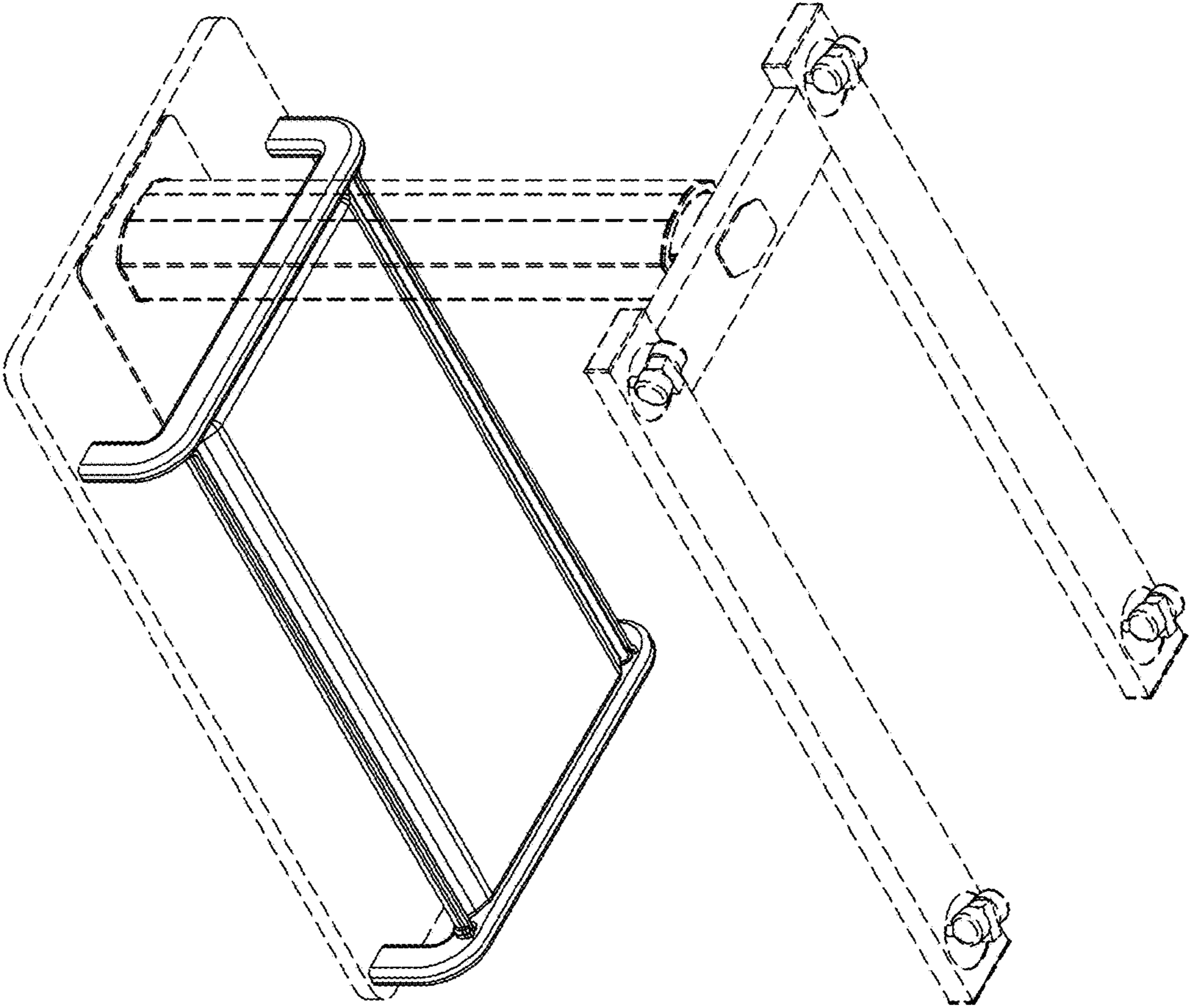


Fig. 2

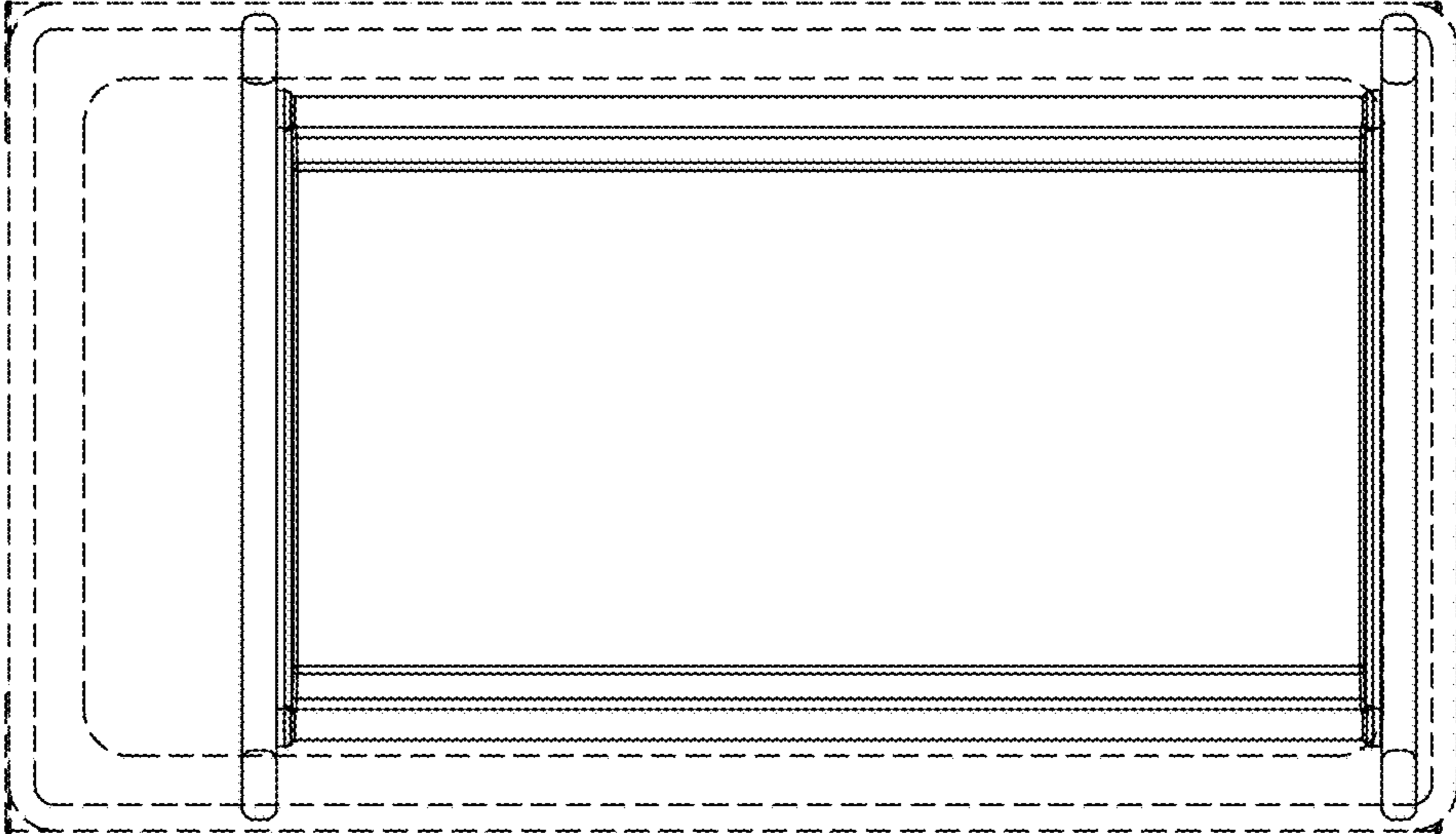


Fig. 3

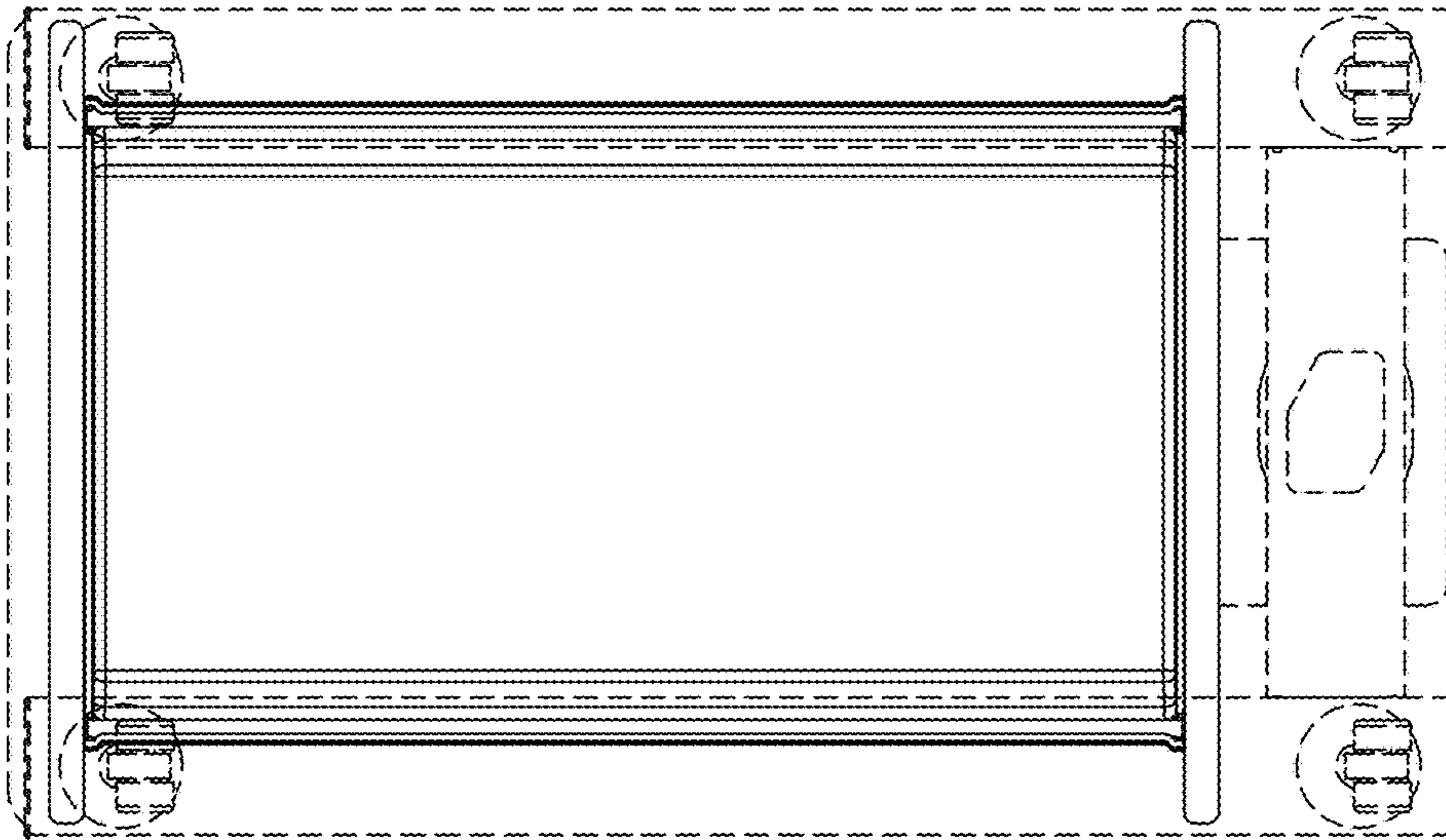


Fig. 4

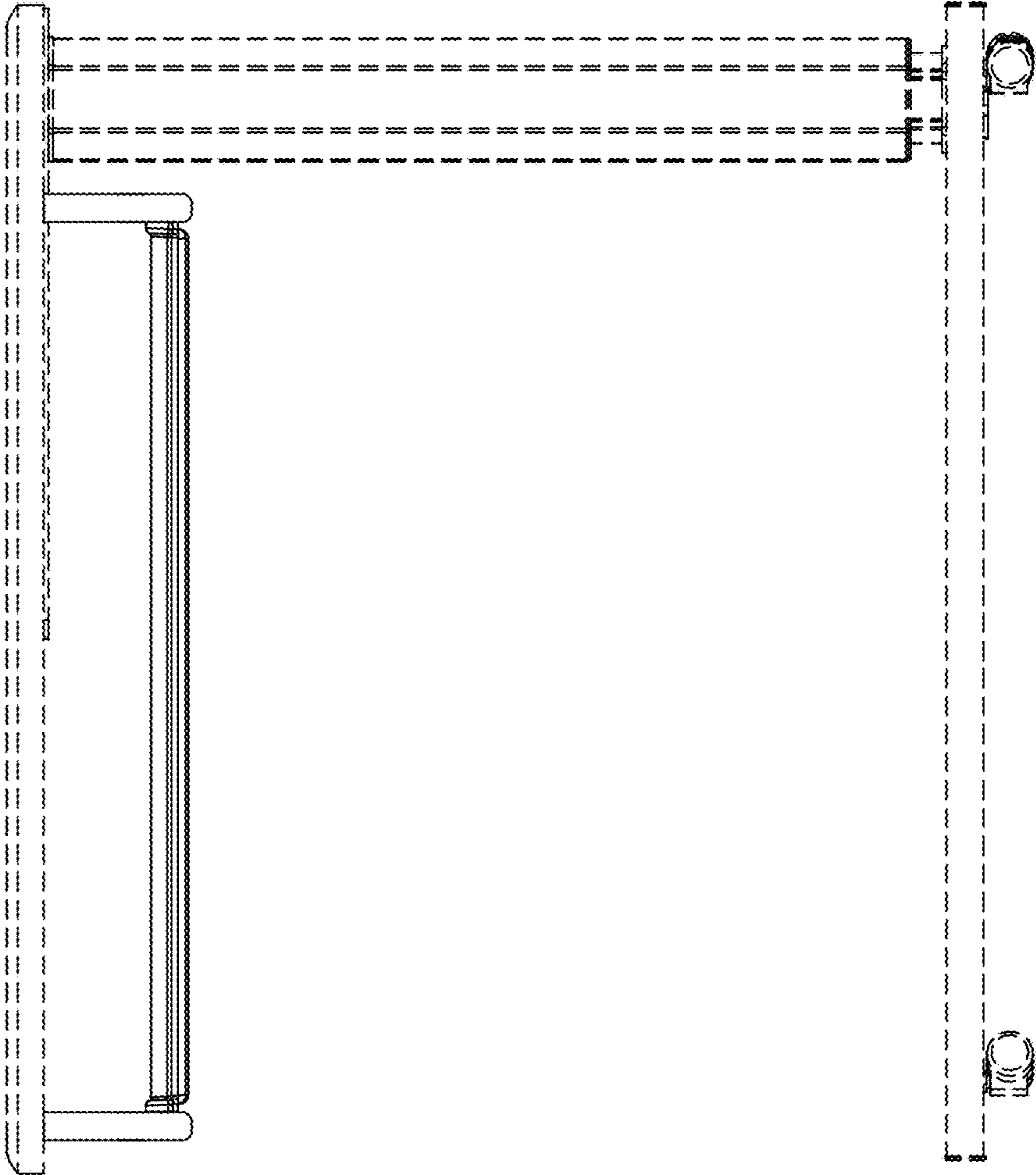


FIG. 5

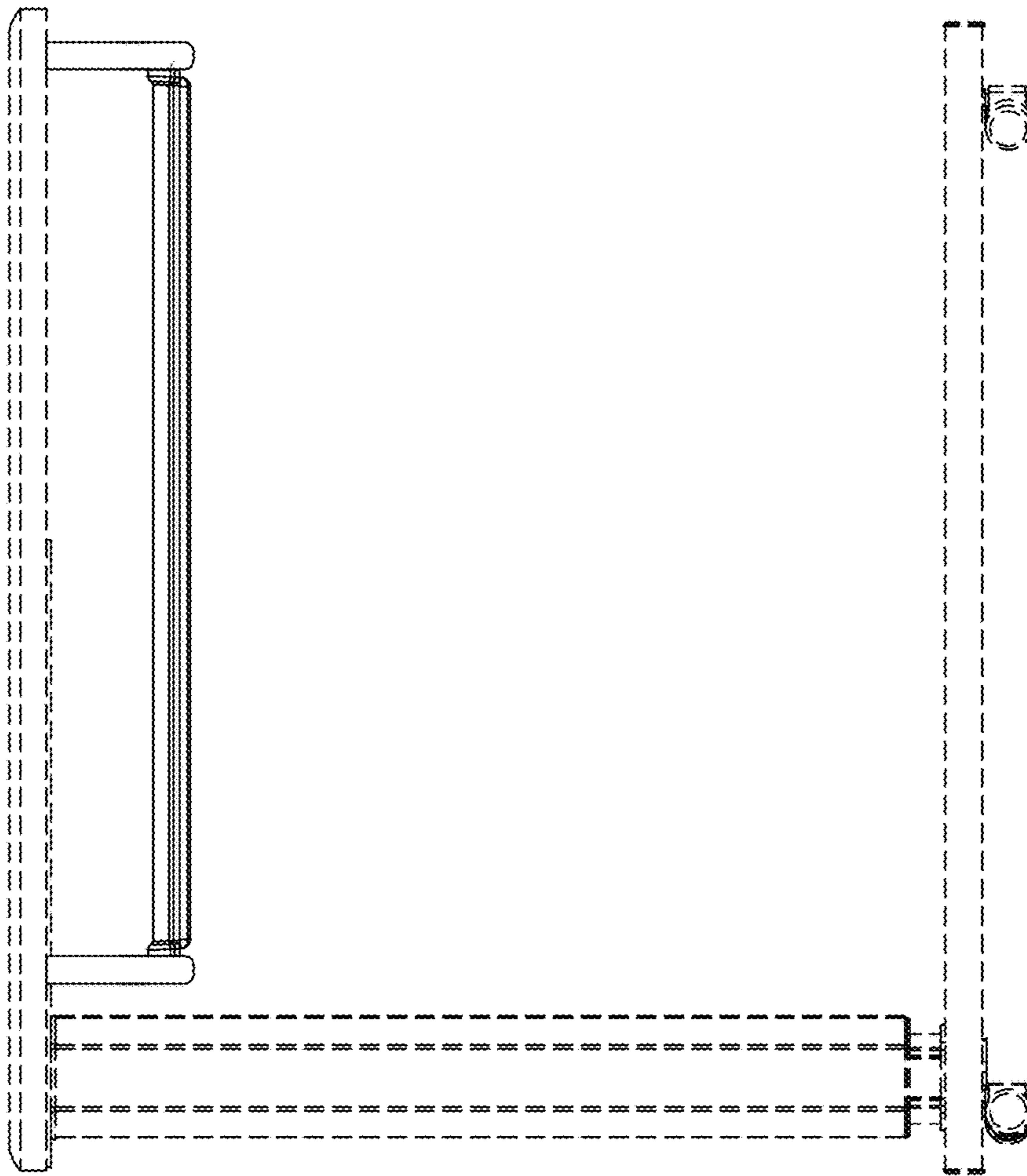


Fig. 6

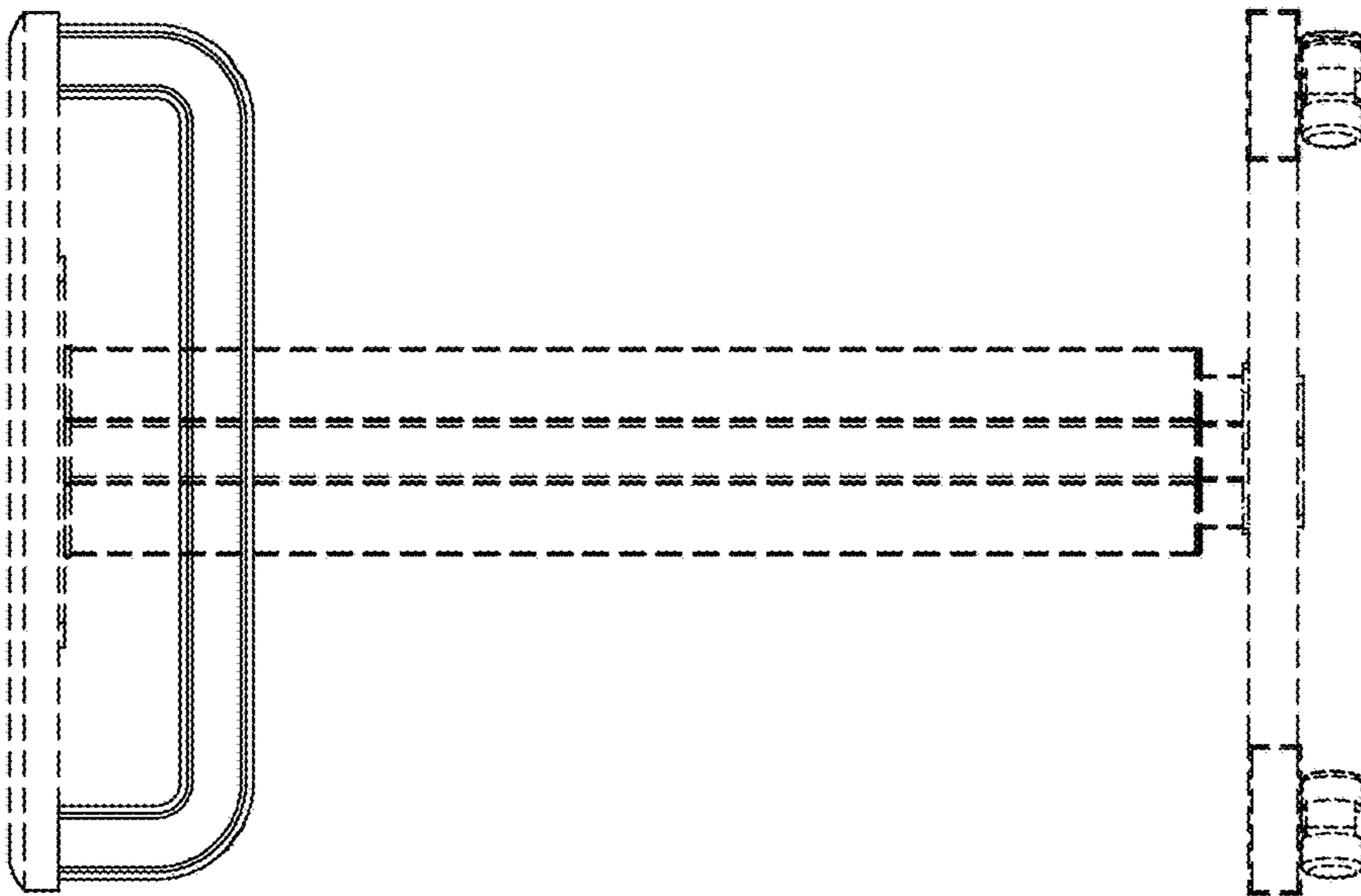


Fig. 7

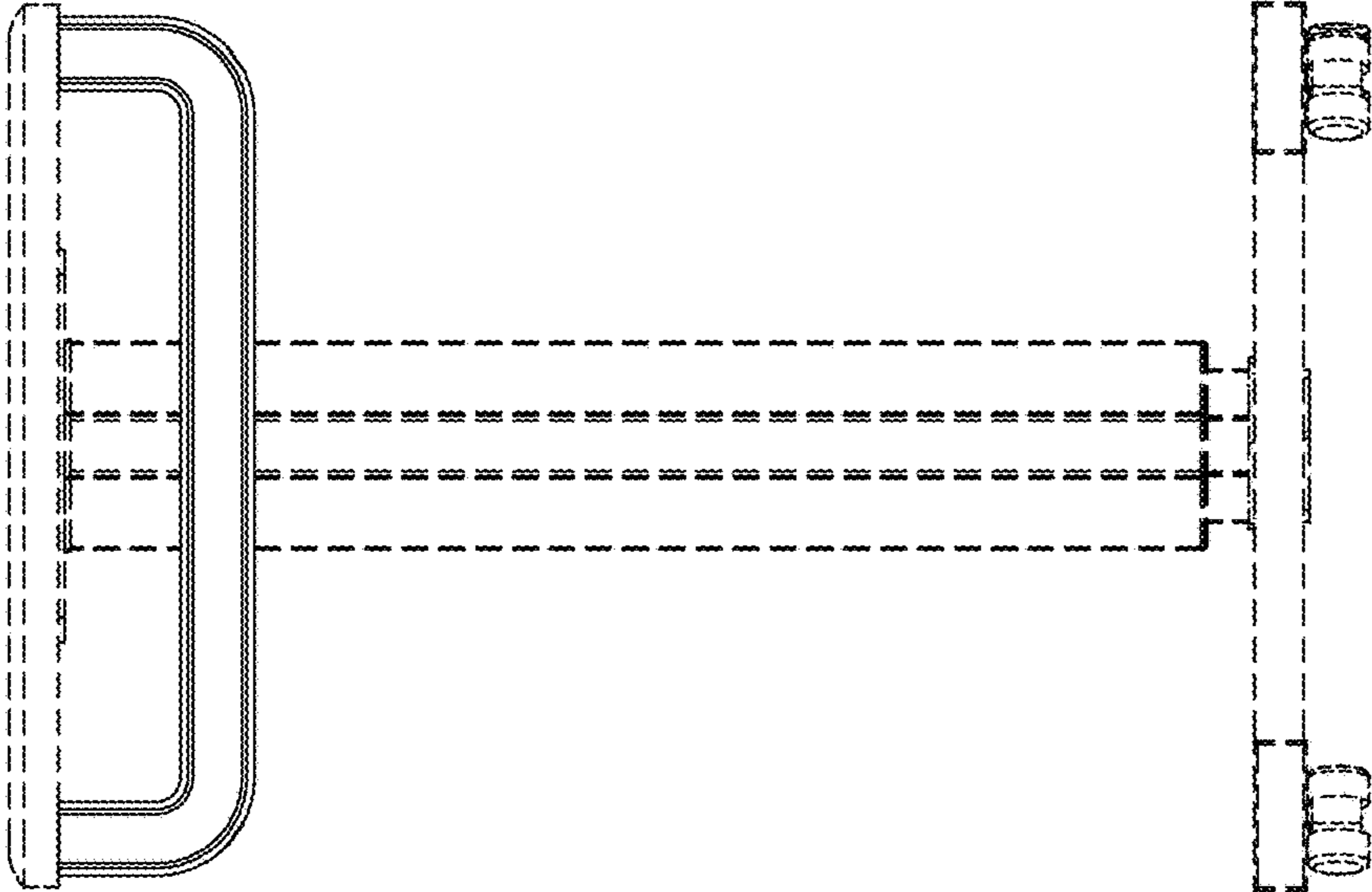


Fig. 8

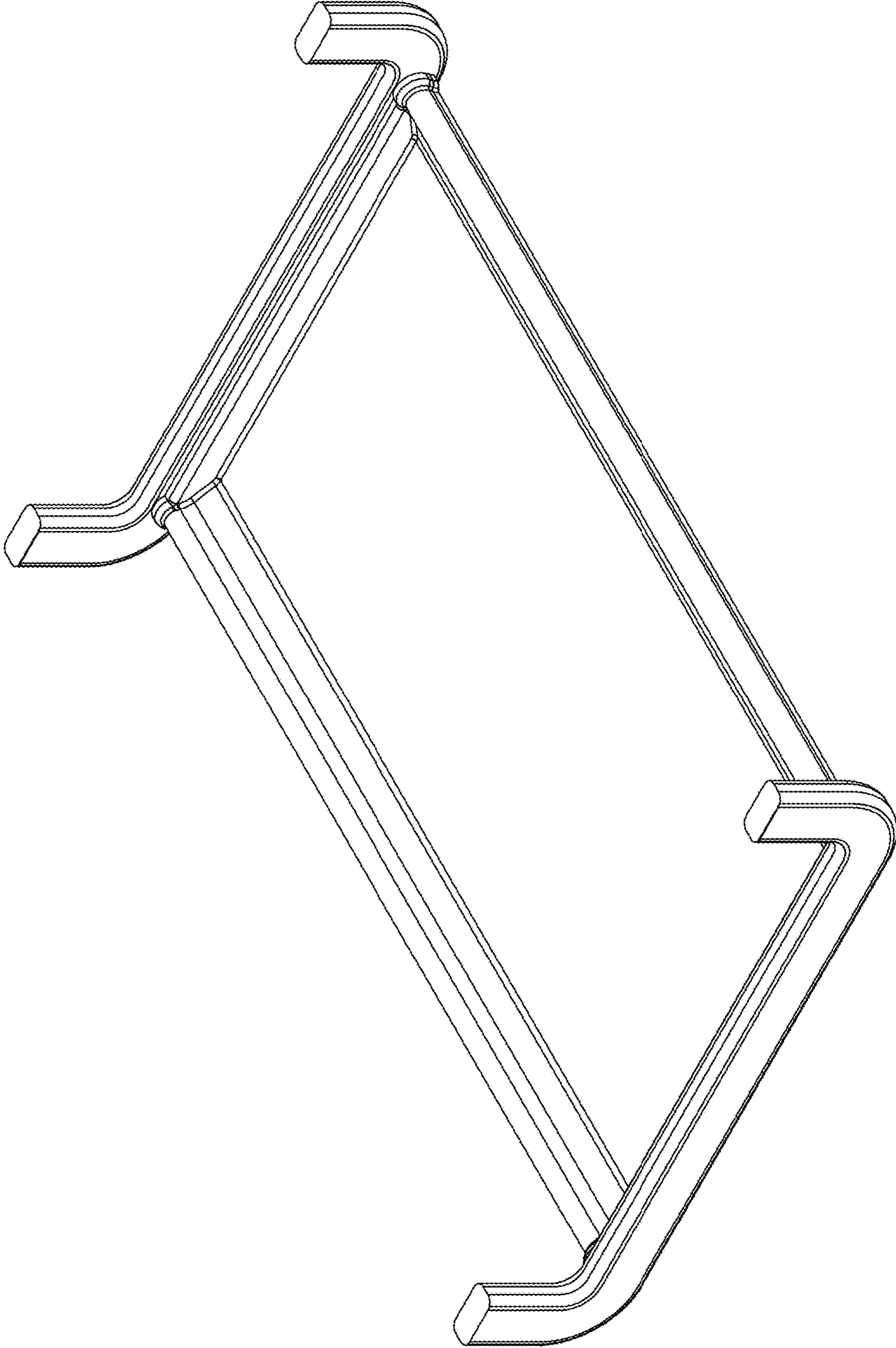


Fig. 9

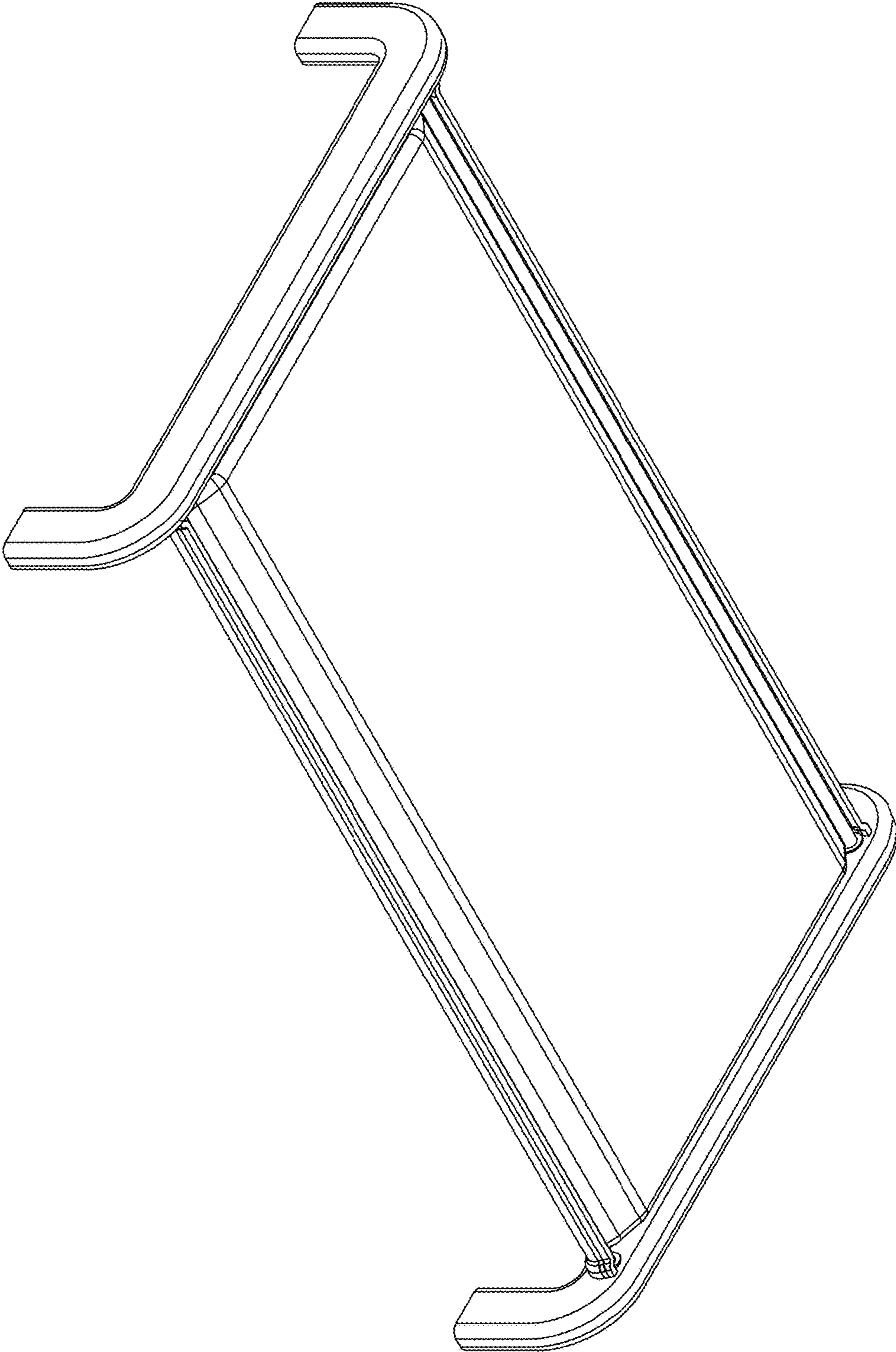


Fig. 10