



US00D834851S

(12) **United States Design Patent**  
**Jehs et al.**

(10) **Patent No.:** **US D834,851 S**

(45) **Date of Patent:** **\*\* Dec. 4, 2018**

(54) **CHAIR**

(71) Applicant: **WILKHAHN WILKENING +  
HAHNE GMBH & CO**, Bad Münders  
(DE)

(72) Inventors: **Markus Jehs**, Stuttgart (DE); **Jürgen  
Laub**, Stuttgart (DE)

(73) Assignee: **Wilkahn Wilkening + Hahne GMBH  
& Co.** (DE)

(\*\*) Term: **15 Years**

(21) Appl. No.: **29/615,848**

(22) Filed: **Aug. 31, 2017**

(51) **LOC (11) Cl.** ..... **06-01**

(52) **U.S. Cl.**  
USPC ..... **D6/380**

(58) **Field of Classification Search**  
USPC ..... D6/334-336, 371, 372, 373, 374, 375,  
D6/376, 380, 716, 716.1, 716.2, 716.3,  
D6/716.4  
CPC .... A47C 3/04; A47C 3/12; A47C 4/02; A47C  
4/028; A47C 4/03; A47C 5/12  
See application file for complete search history.

(56) **References Cited**

**U.S. PATENT DOCUMENTS**

D153,850 S *	5/1949	Brazauski	.....	D6/374
D190,955 S *	7/1961	Galloway	.....	D6/374
2,993,733 A *	7/1961	Pinkham	.....	A47C 3/12 297/440.1
D227,960 S *	7/1973	Ekuan	.....	D6/374
D227,961 S *	7/1973	Ekuan	.....	D6/374

D227,962 S *	7/1973	Ekuan	.....	D6/374
D436,749 S *	1/2001	Arad	.....	D6/375
D555,926 S *	11/2007	Williams	.....	D6/373
D559,002 S *	1/2008	Williams	.....	D6/380
D569,647 S *	5/2008	Mezger	.....	D6/380
D706,053 S *	6/2014	Schwamkrug	.....	D6/374
D794,368 S *	8/2017	Swy	.....	D6/716
D794,370 S *	8/2017	Swy	.....	D6/716
D815,452 S *	4/2018	Hannoosh	.....	D6/380

\* cited by examiner

*Primary Examiner* — Mimosa De

(74) *Attorney, Agent, or Firm* — Renner Kenner Greive  
Bobak Taylor & Weber

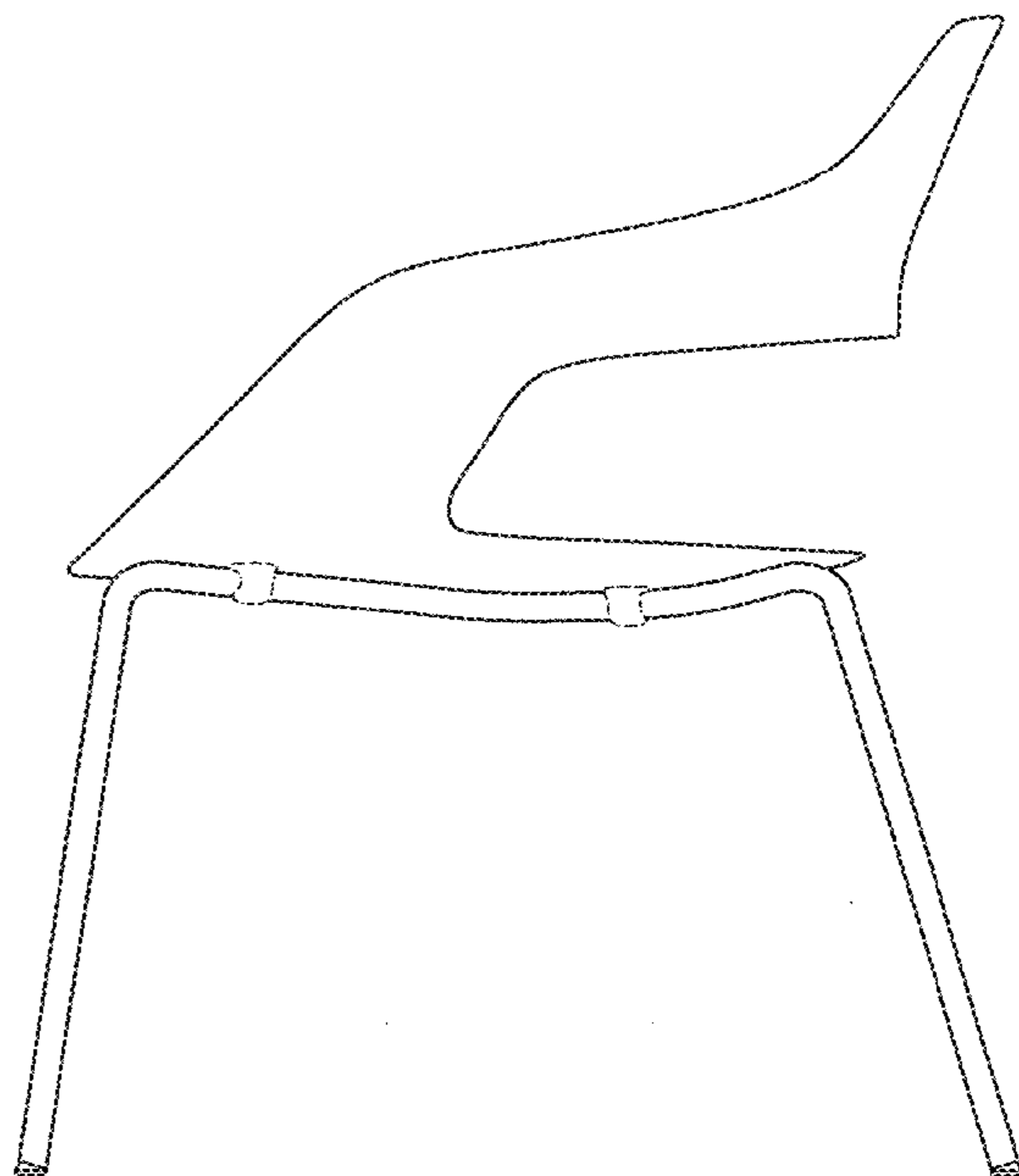
(57) **CLAIM**

Applicant claims the ornamental design of a chair, as shown  
and described.

**DESCRIPTION**

FIG. 1 is a perspective view of a chair embodying the  
concepts of the present design invention;  
FIG. 2 is a right side elevational view of the chair of FIG.  
1;  
FIG. 3 is a left side elevational view of the chair of FIG. 1;  
FIG. 4 is a front elevational view of the chair of FIG. 1;  
FIG. 5 is a top plan view of the chair of FIG. 1; and,  
FIG. 6 is a bottom plan view of the chair of FIG. 1.  
The broken lines in the above views are for environmental  
purposes only and form no part of the claimed design  
invention.

**1 Claim, 6 Drawing Sheets**



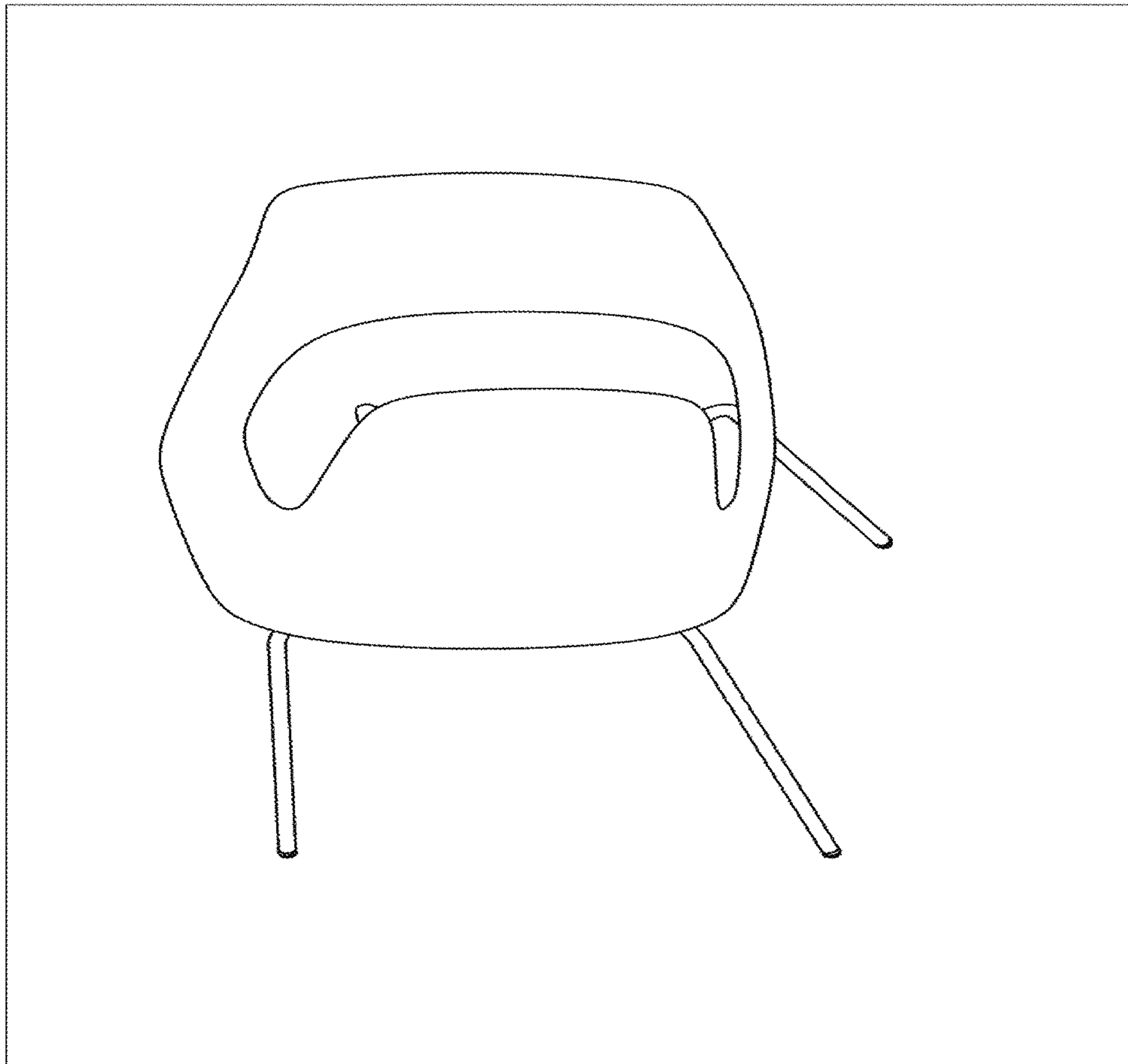


FIG. 1

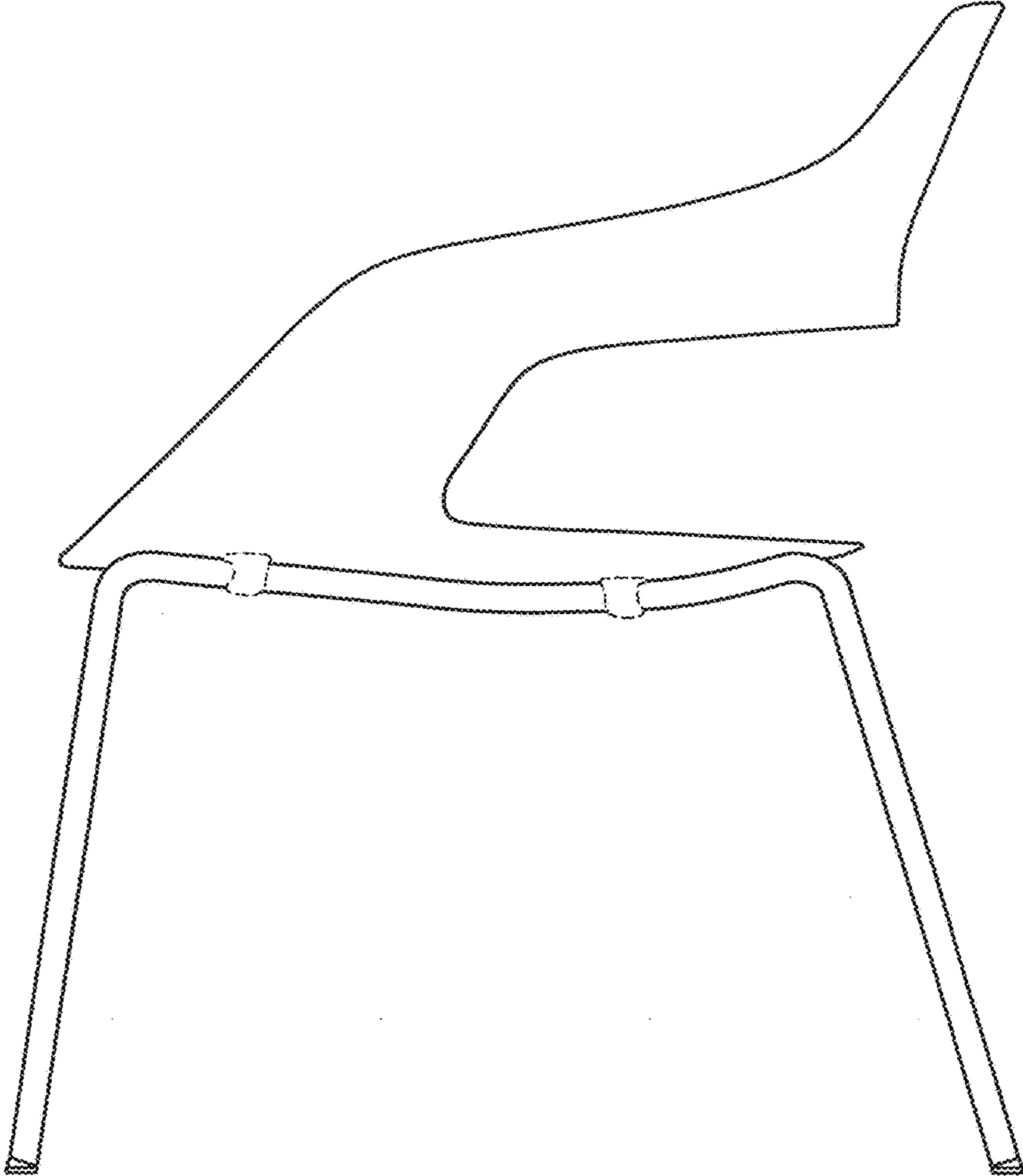


FIG. 2

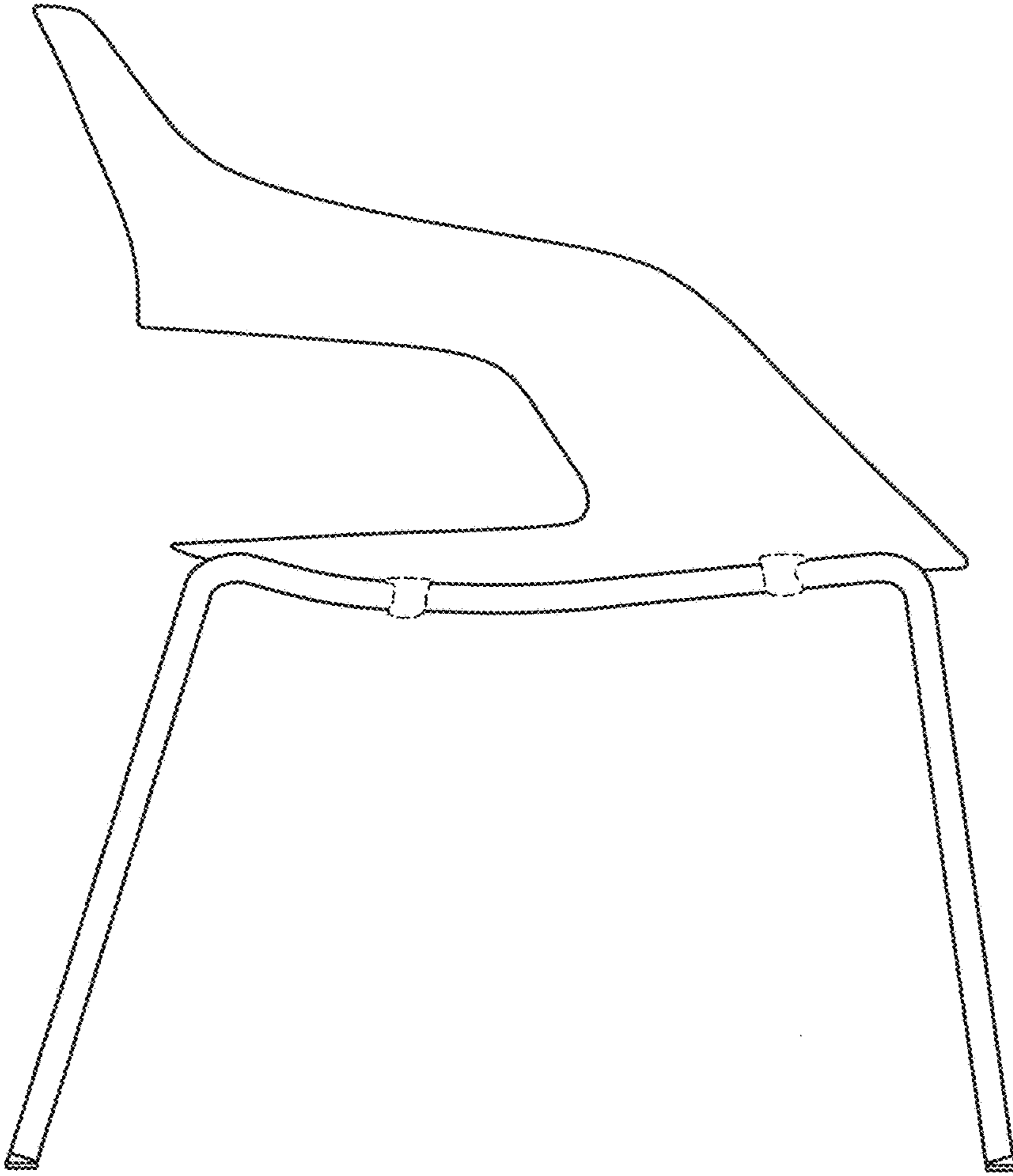


FIG. 3

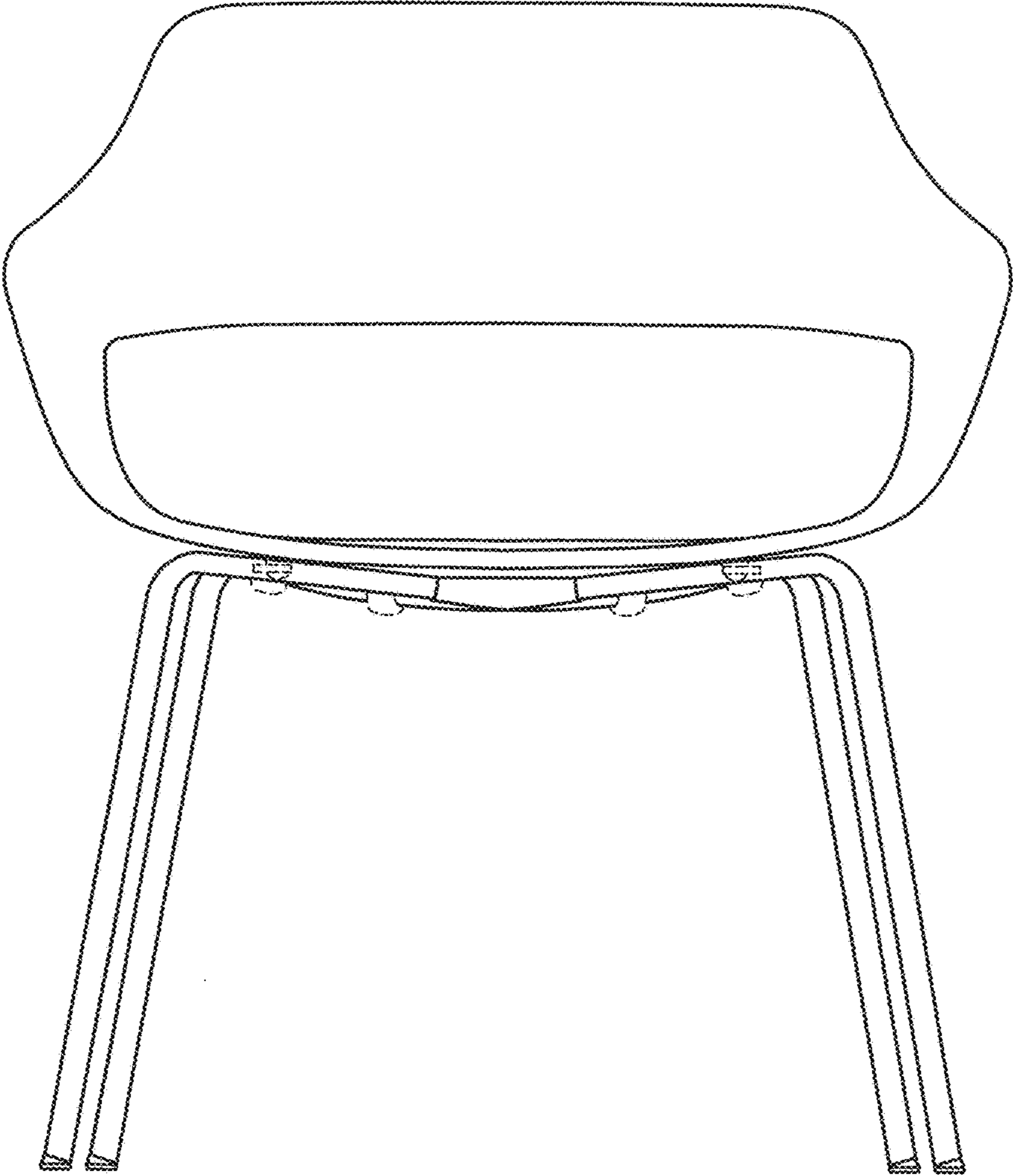


FIG. 4

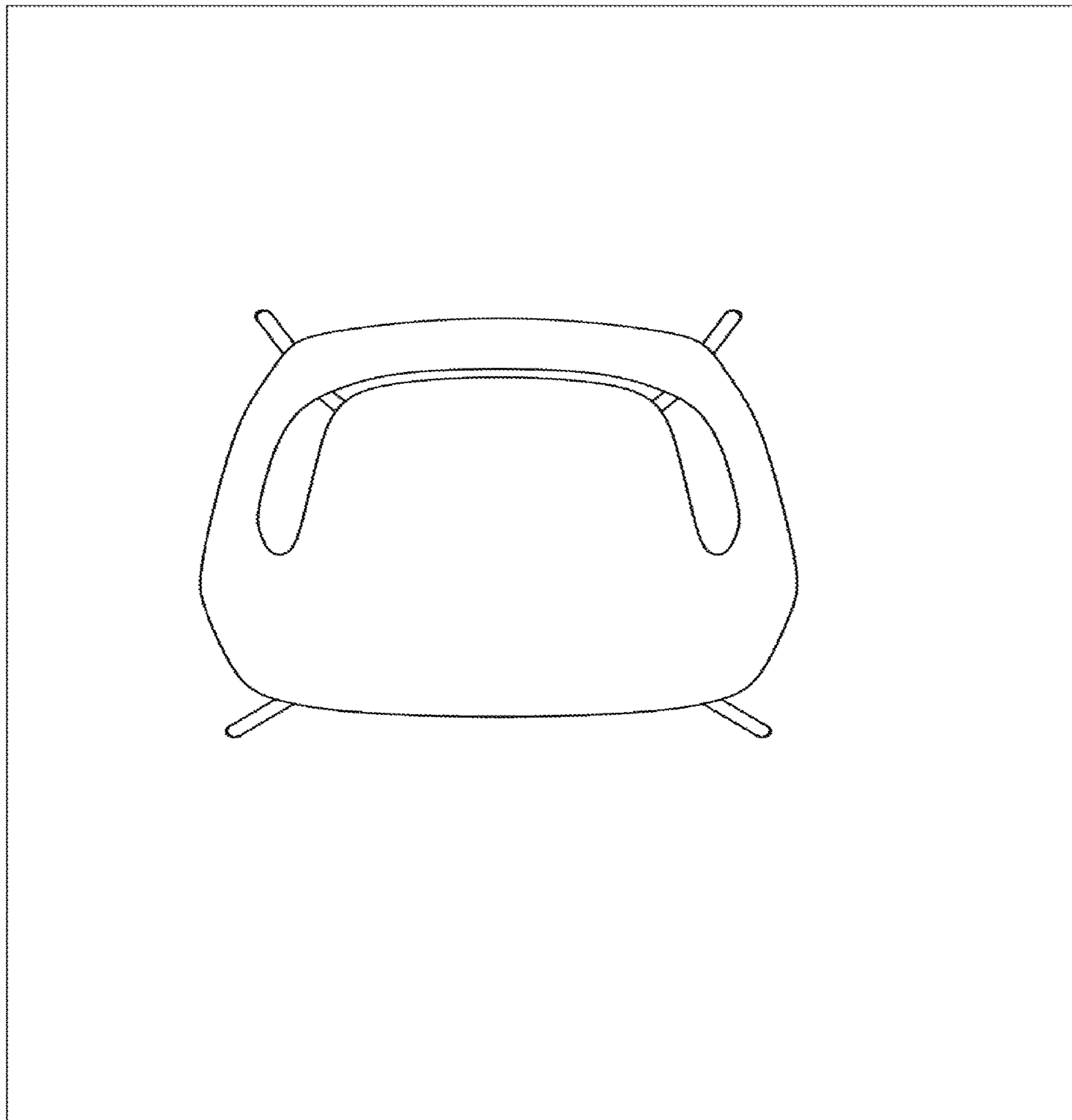


FIG. 5

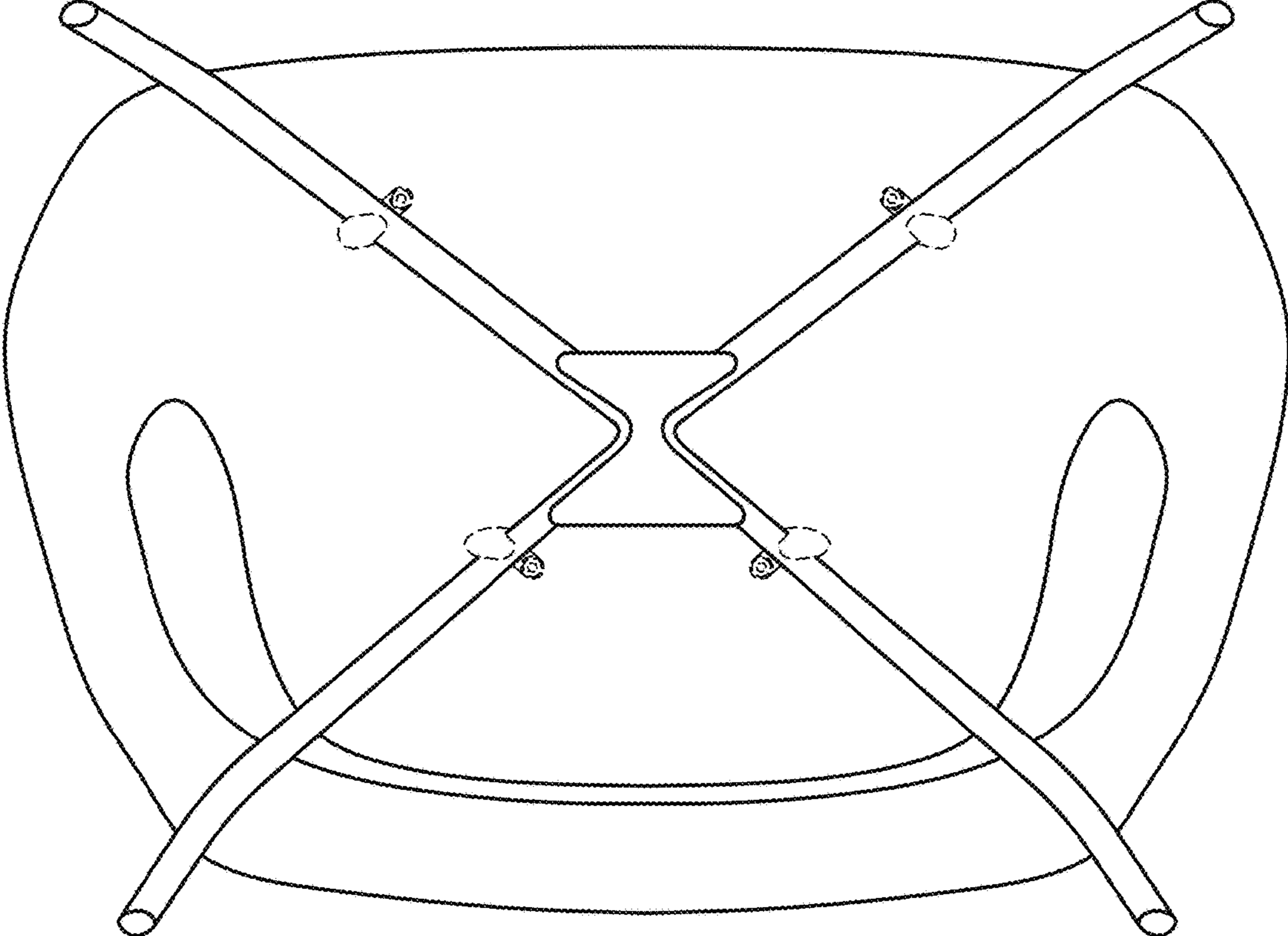


FIG. 6