



US00D834850S

(12) **United States Design Patent** (10) **Patent No.:** **US D834,850 S**
Davis et al. (45) **Date of Patent:** **** Dec. 4, 2018**

(54) **CHAIR**
(71) Applicant: **WALKER EDISON FURNITURE COMPANY, LLC**, Salt Lake City, UT (US)
(72) Inventors: **Matthew Davis**, Murray, UT (US); **Brad Bonham**, Draper, UT (US)
(73) Assignee: **WALKER EDISON FURNITURE COMPANY, LLC**, Salt Lake City, UT (US)

D340,360 S * 10/1993 Strugarevic D6/363
D396,759 S * 8/1998 Duenkelsbuehler D6/370
D411,694 S * 6/1999 Bartlmae D6/380
D429,911 S * 8/2000 Bartlmae D6/380
D469,969 S * 2/2003 Glass D6/374
D478,223 S * 8/2003 Luthersson D6/360
D526,504 S * 8/2006 Peterson D6/380
D543,718 S * 6/2007 Muller D6/380
D673,787 S * 1/2013 Bartlmae D6/380
D673,788 S * 1/2013 Schoenhals D6/380
D674,208 S * 1/2013 Bartlmae D6/370
D681,360 S * 5/2013 Hartman D6/369
D686,858 S * 7/2013 Fletcher D6/716
D688,890 S * 9/2013 Pessa D6/380
D691,824 S * 10/2013 Pessa D6/380

(**) Term: **15 Years**

(Continued)

(21) Appl. No.: **29/573,927**
(22) Filed: **Aug. 10, 2016**
(51) **LOC (11) Cl.** **06-01**
(52) **U.S. Cl.**
USPC **D6/380**
(58) **Field of Classification Search**
USPC D6/380, 334–336, 370, 371, 373, 374,
D6/376, 379, 716, 716.1, 716.2, 716.4
CPC A47C 3/04; A47C 4/02; A47C 4/03; A47C
4/024; A47C 4/028; A47C 7/16; A47C
7/18
See application file for complete search history.

OTHER PUBLICATIONS

Walker edison website, Retro Modern Dining Chairs—White/Natural, Mar. 17, 2017, <https://www.walkerredison.com/retro-modern-dining-chairs---whitenatural.html>.*

Primary Examiner — David Muller
Assistant Examiner — Nathan Johnston
(74) *Attorney, Agent, or Firm* — Workman Nydegger

(57) **CLAIM**

The ornamental design for a chair, as shown and described.

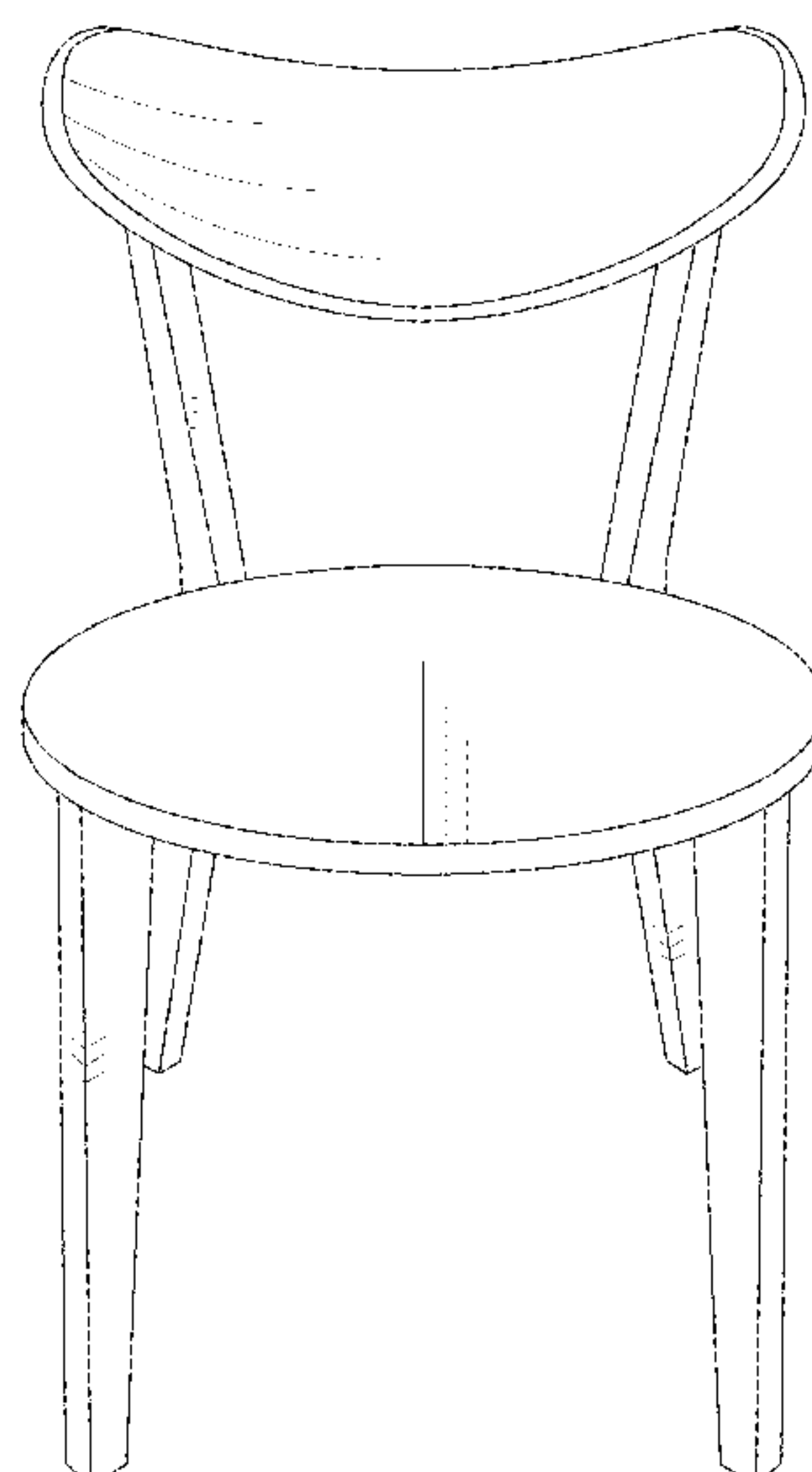
DESCRIPTION

FIG. 1 is a front perspective view of a chair showing our new design;
FIG. 2 is a front elevation view thereof;
FIG. 3 is a rear elevation view thereof;
FIG. 4 is a top plan view thereof;
FIG. 5 is a bottom plan view thereof;
FIG. 6 is a left elevation view thereof; and,
FIG. 7 is a right elevation view thereof.
The broken lines show portions of the chair that form no part of the claimed design.

(56) **References Cited**
U.S. PATENT DOCUMENTS

D172,218 S * 5/1954 Burst D6/374
D181,099 S * 10/1957 Jonas D6/374
D181,241 S * 10/1957 Swanson 297/451.1
D186,658 S * 11/1959 Spillman D6/374
D190,172 S * 4/1961 Alverson D6/374
D194,838 S * 3/1963 Ridder D6/374
3,141,699 A * 7/1964 Stafford A47C 1/124
297/239
D200,532 S * 3/1965 Williams D6/380
D233,101 S * 10/1974 Katodu D6/380

1 Claim, 4 Drawing Sheets



(56)

References Cited

U.S. PATENT DOCUMENTS

D695,036	S *	12/2013	Pesso	D6/360
D695,037	S *	12/2013	Pesso	D6/360
D717,062	S *	11/2014	Starck	D6/380
D724,342	S *	3/2015	Pesso	D6/374
8,979,185	B1 *	3/2015	Redel	A47C 4/24
					297/19
D739,663	S *	9/2015	Yuglich	D6/380
D741,618	S *	10/2015	Haase	D6/360
D746,607	S *	1/2016	Sheppard	D6/360
D746,610	S *	1/2016	Moe	D6/380
D746,611	S *	1/2016	Sheppard	D6/380
D763,003	S *	8/2016	Moscheri	D6/380
D784,038	S *	4/2017	Pectol	D6/380
2009/0058155	A1 *	3/2009	Bartlmae	A47C 1/124
					297/248
2012/0153588	A1 *	6/2012	Shokouhi	A47C 3/04
					280/79.2
2017/0119158	A1 *	5/2017	Pectol	A47C 4/024

* cited by examiner

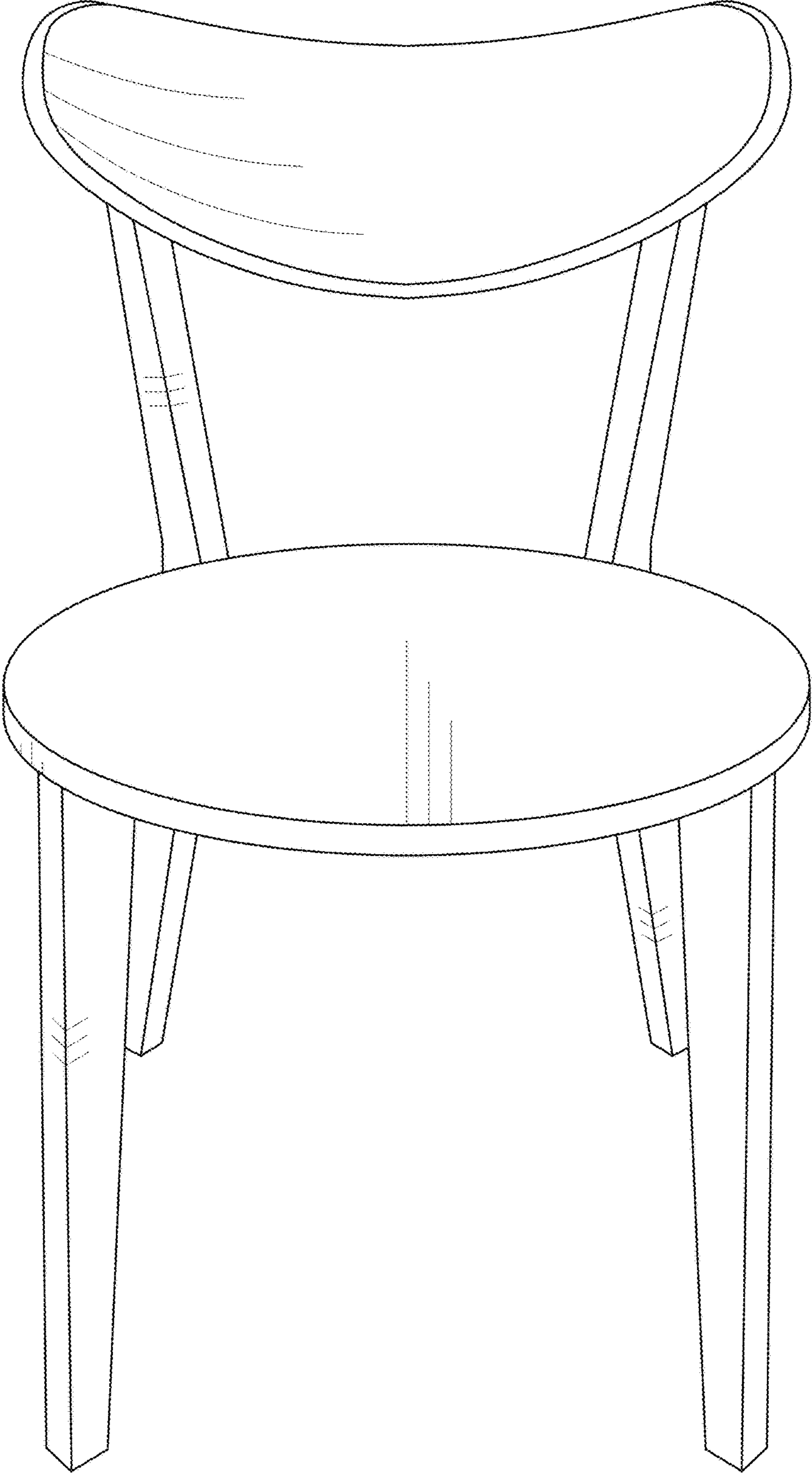


FIG. 1

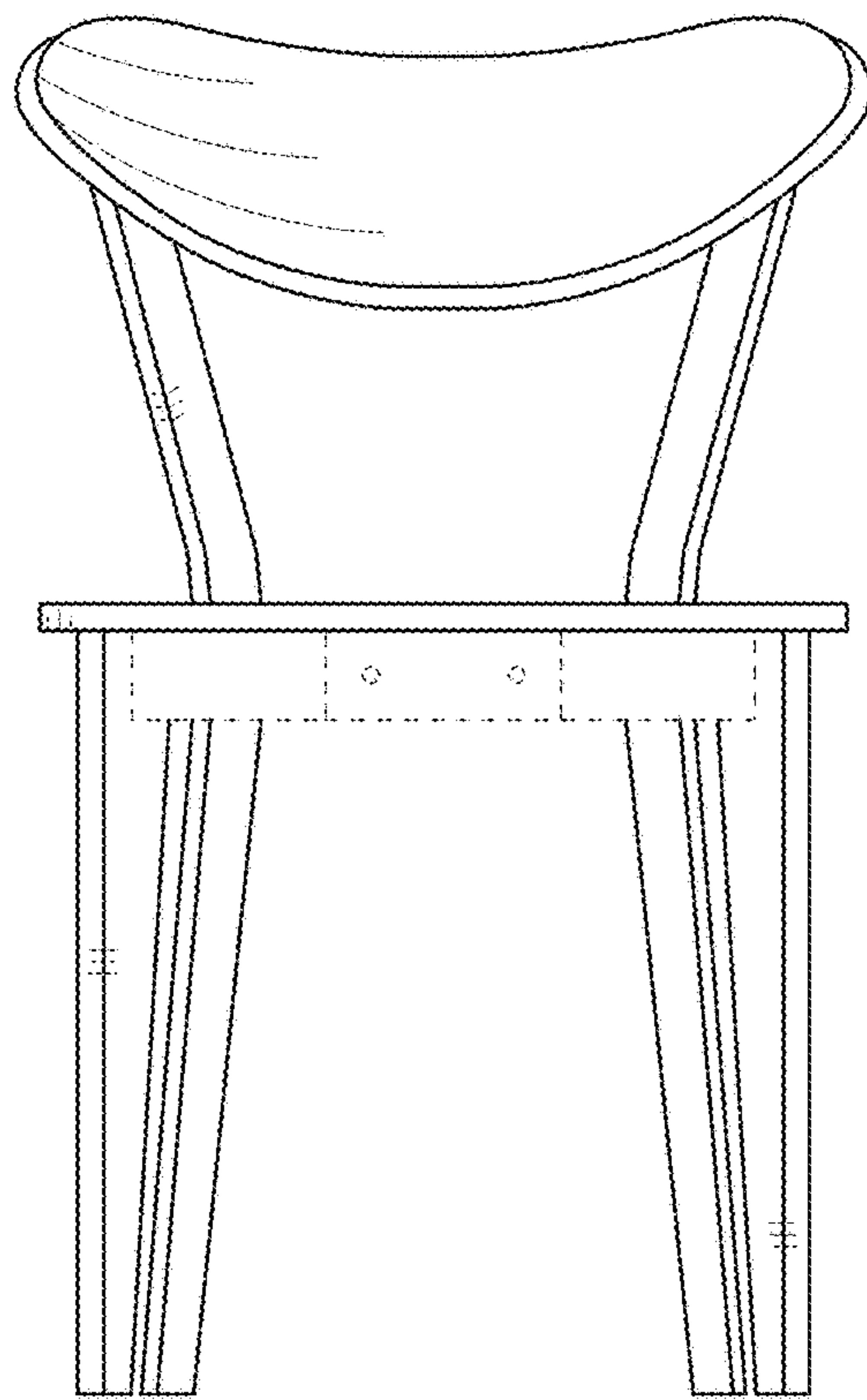


FIG. 2

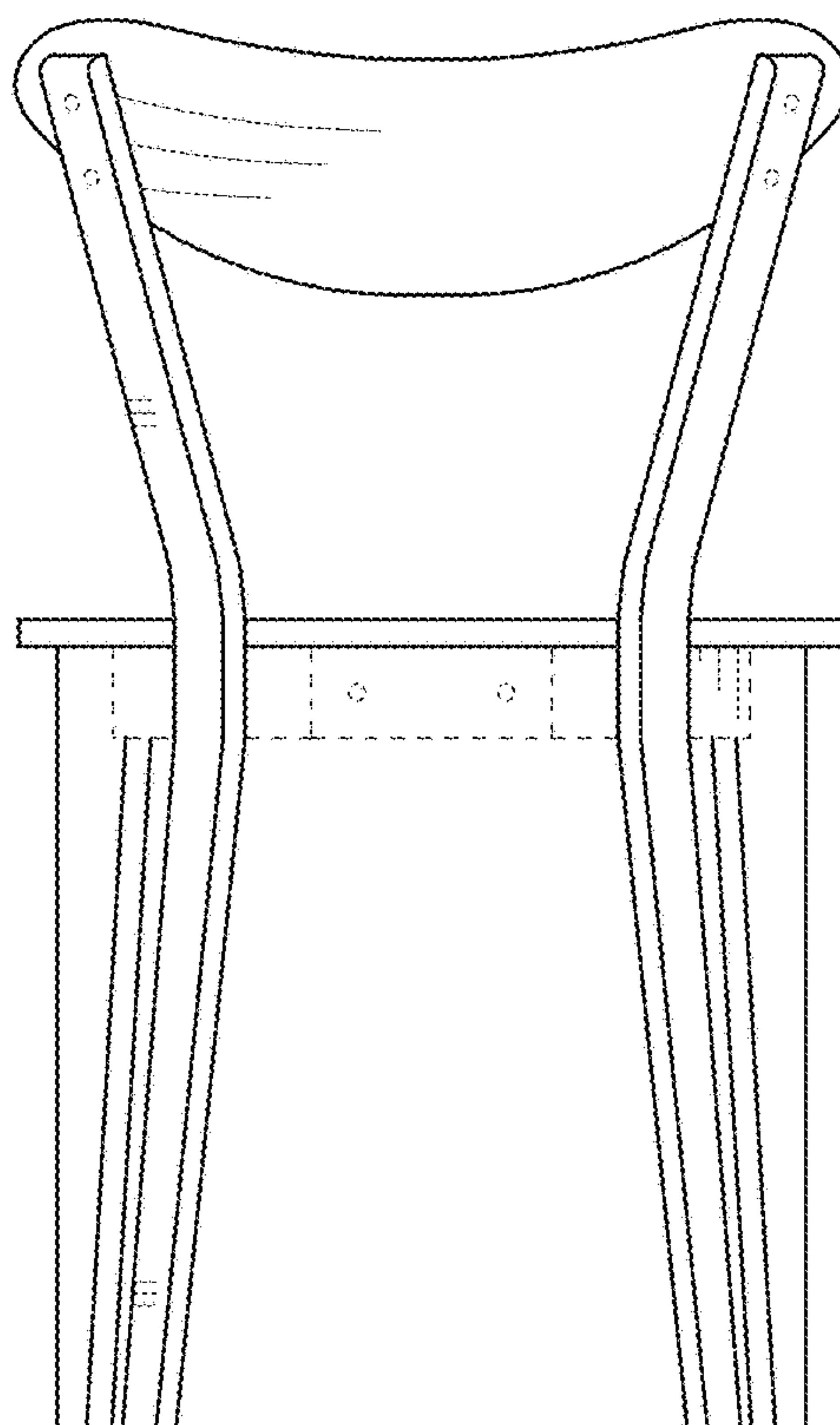


FIG. 3

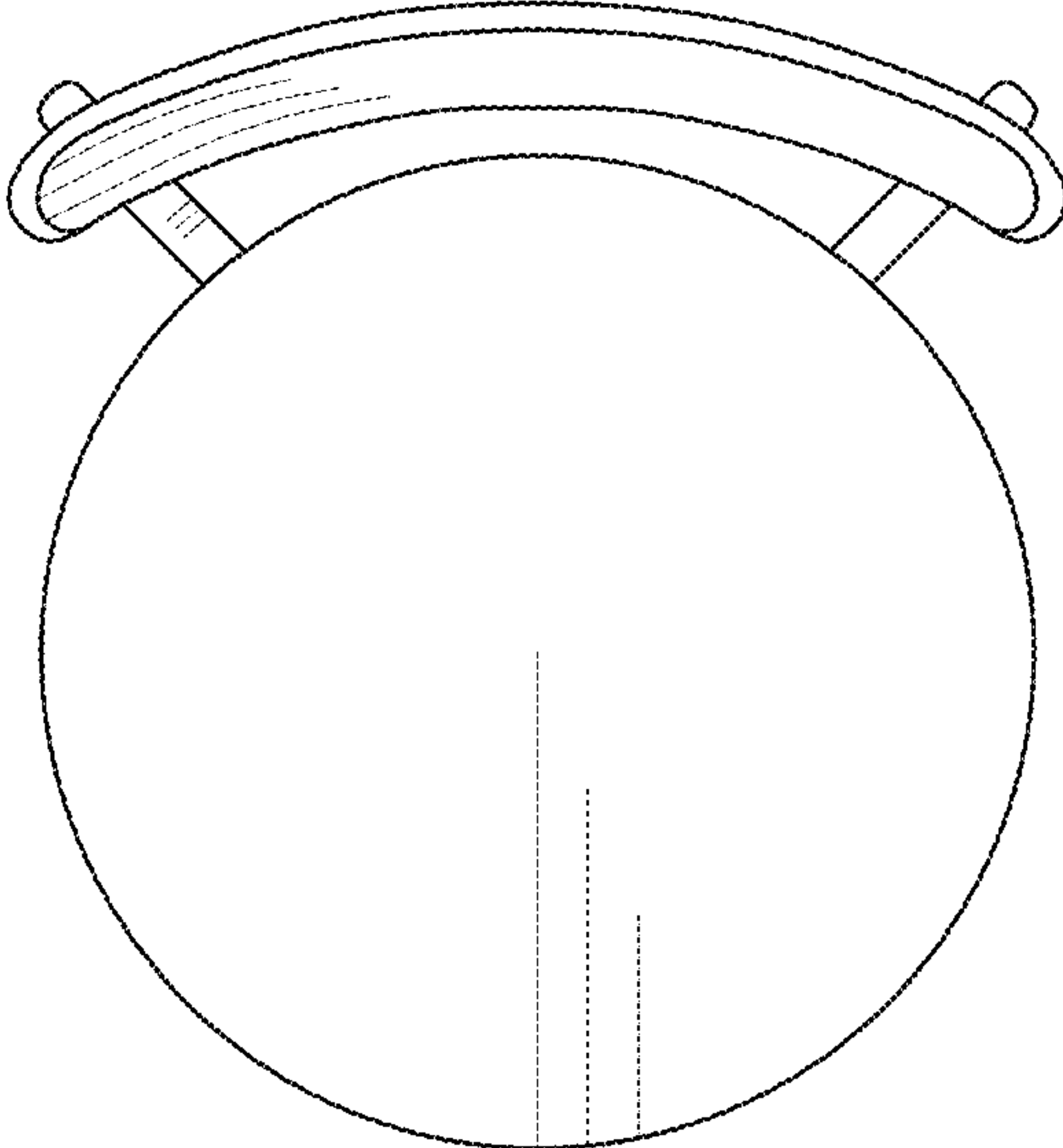


FIG. 4

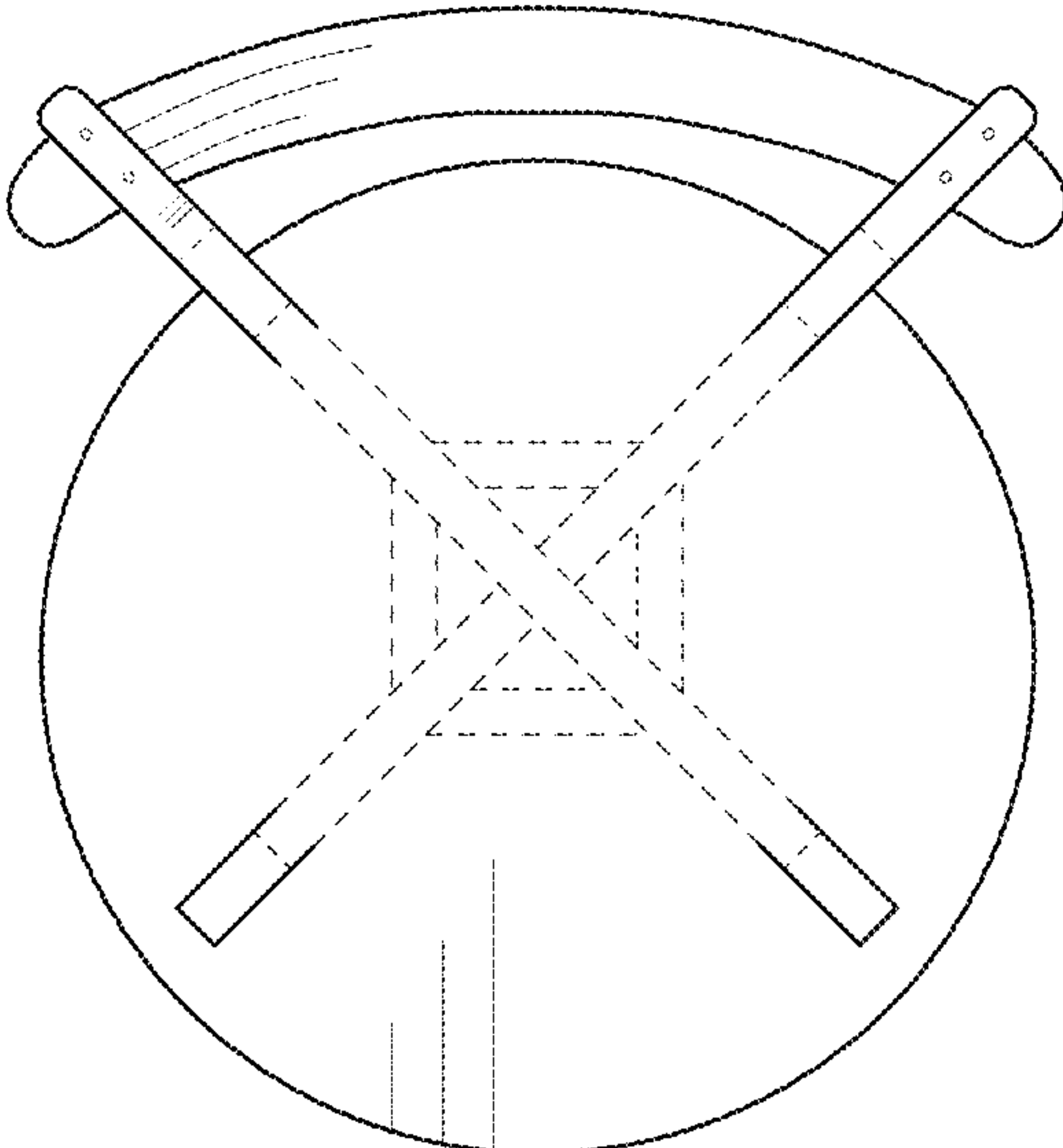


FIG. 5

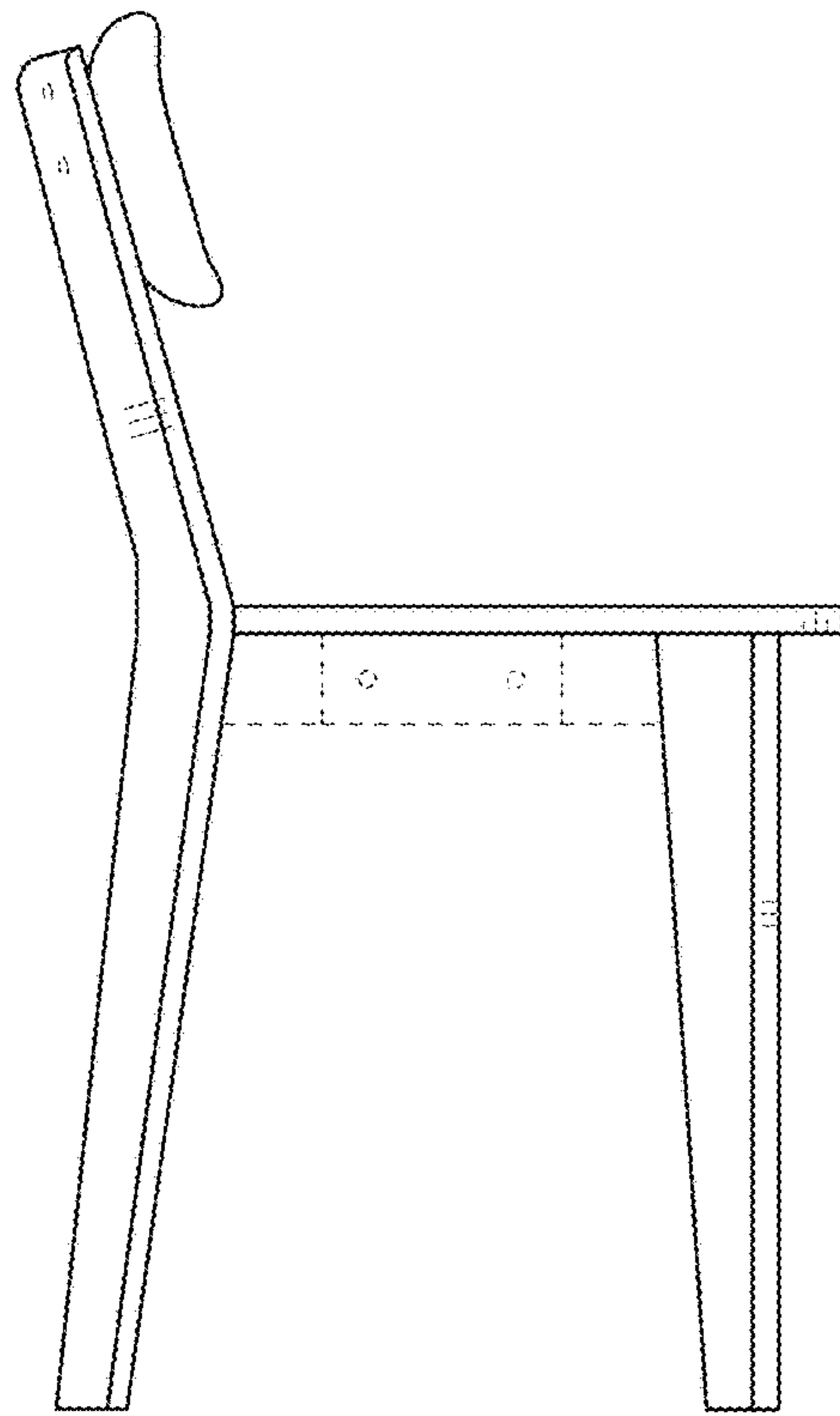


FIG. 6

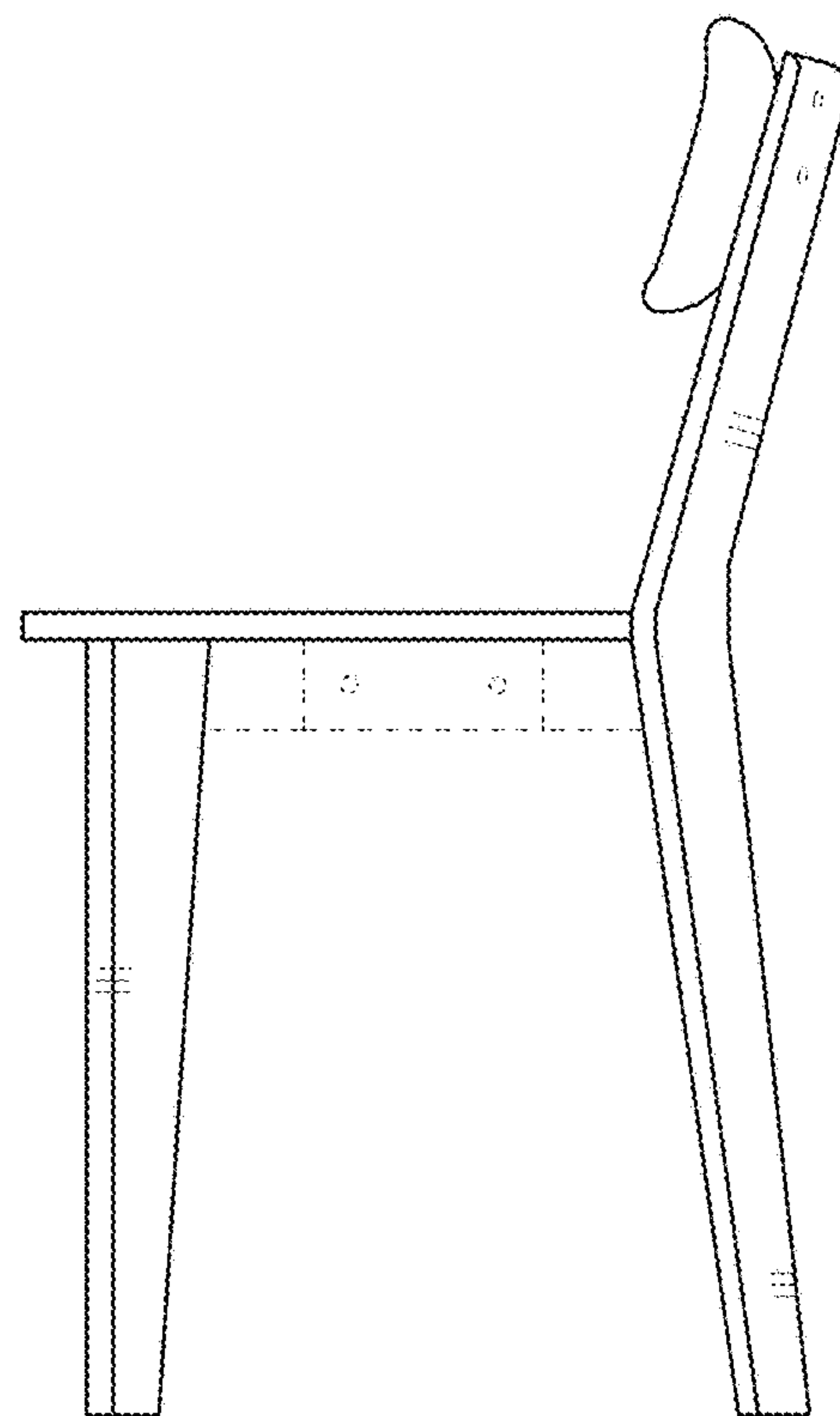


FIG. 7