

US00D834847S

(12) **United States Design Patent**
Yuglich

(10) **Patent No.:** **US D834,847 S**

(45) **Date of Patent:** **** Dec. 4, 2018**

(54) **CHAIR SEAT**

(71) Applicant: **Maximillian Yuglich**, Houston, TX
(US)

(72) Inventor: **Maximillian Yuglich**, Houston, TX
(US)

(**) Term: **15 Years**

(21) Appl. No.: **29/645,926**

(22) Filed: **Apr. 30, 2018**

(51) **LOC (11) Cl.** **06-01**

(52) **U.S. Cl.**

USPC **D6/374**

(58) **Field of Classification Search**

USPC D6/334-336, 374, 375, 379, 380, 716,
D6/716.1, 716.2, 716.3, 716.4

CPC A47C 3/04; A47C 4/02; A47C 4/03; A47C
4/06; A47C 4/028; A47C 7/16; A47C
7/18; A47C 7/24

See application file for complete search history.

(56) **References Cited**

U.S. PATENT DOCUMENTS

D593,336 S *	6/2009	Ciani	D6/374
D672,981 S *	12/2012	Kubryk	D6/374
D697,734 S *	1/2014	Kubryk	D6/374
D697,735 S *	1/2014	Kubryk	D6/374
D742,658 S *	11/2015	Bisman	D6/374
D766,005 S *	9/2016	Ciani	D6/374
D785,962 S *	5/2017	Muller	D6/374
D825,949 S *	8/2018	Bouroullec	D6/374

* cited by examiner

Primary Examiner — Mimosa De

(74) *Attorney, Agent, or Firm* — Bushman Werner, P.C.

(57) **CLAIM**

The ornamental design for a chair seat, as shown and described.

DESCRIPTION

FIG. 1 is a front, perspective view of a chair seat.

FIG. 2 is a back, perspective view of the embodiment shown in FIG. 1.

FIG. 3 is a front, elevational view of the embodiment shown in FIG. 1.

FIG. 4 is a side, elevational view of the embodiment shown in FIG. 1. The opposite side is a mirror image and is not provided as a separate figure.

FIG. 5 is a top, plan view of the embodiment shown in FIG. 1.

FIG. 6 is a bottom, plan view of the embodiment shown in FIG. 1.

FIG. 7 is back, elevational view of the embodiment shown in FIG. 1.

FIG. 8 is another embodiment of chair seat with piping running along the sides and back of the chair set. The opposite side is a mirror image and is not provided as a separate figure; and,

FIG. 9 is a cross-sectional view taken along the lines 9-9 of FIG. 8.

1 Claim, 5 Drawing Sheets

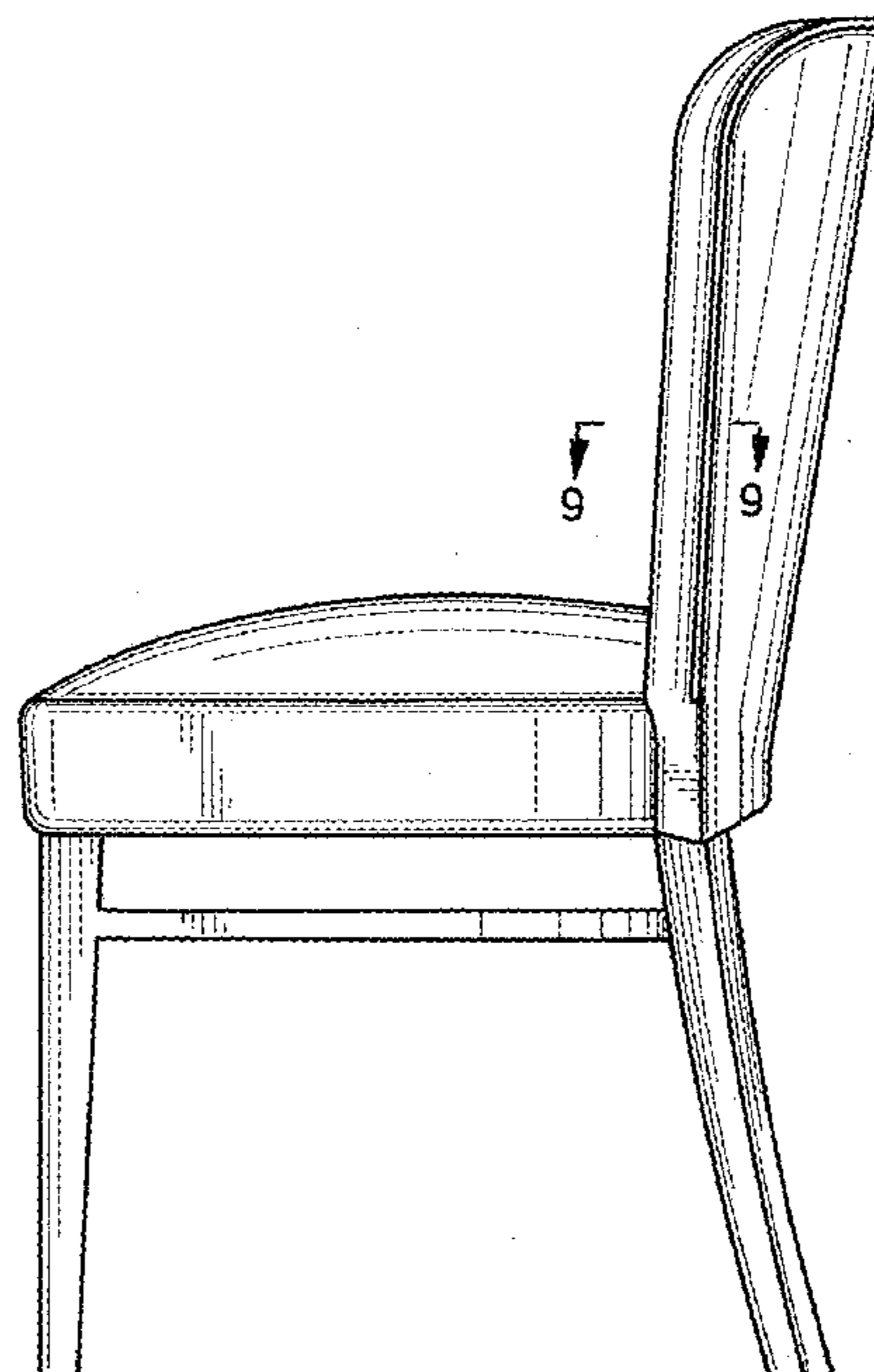
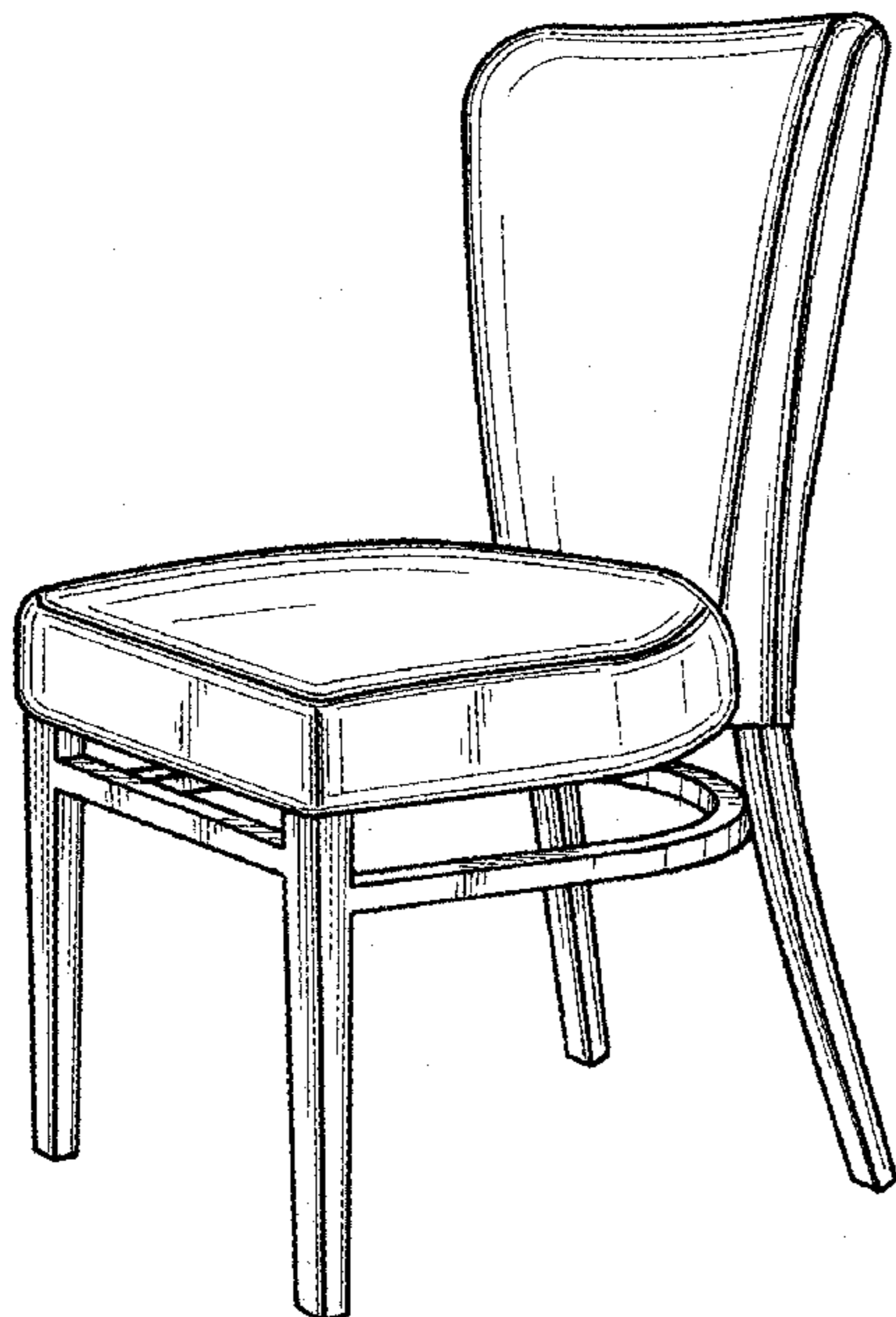


FIG. 2

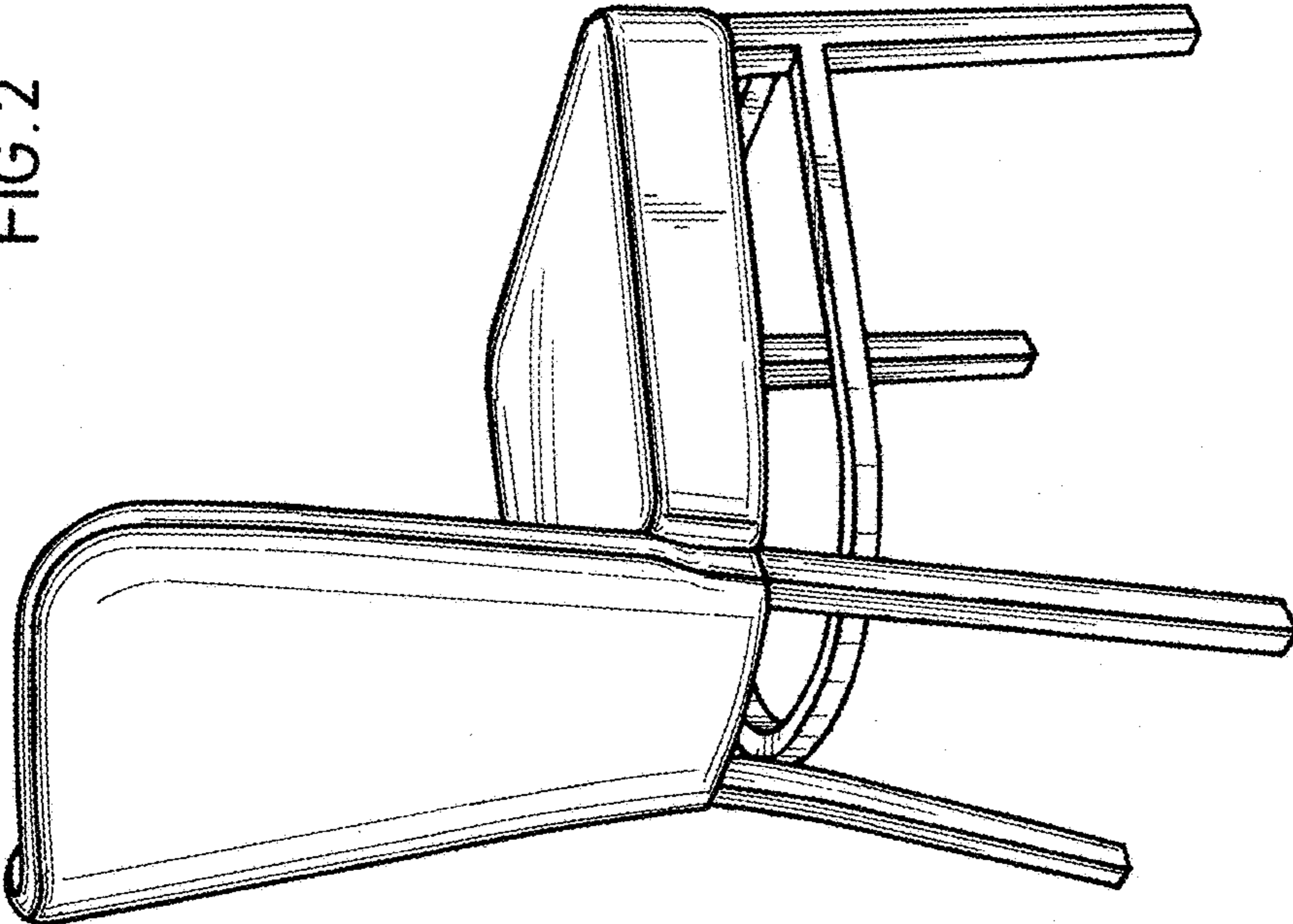
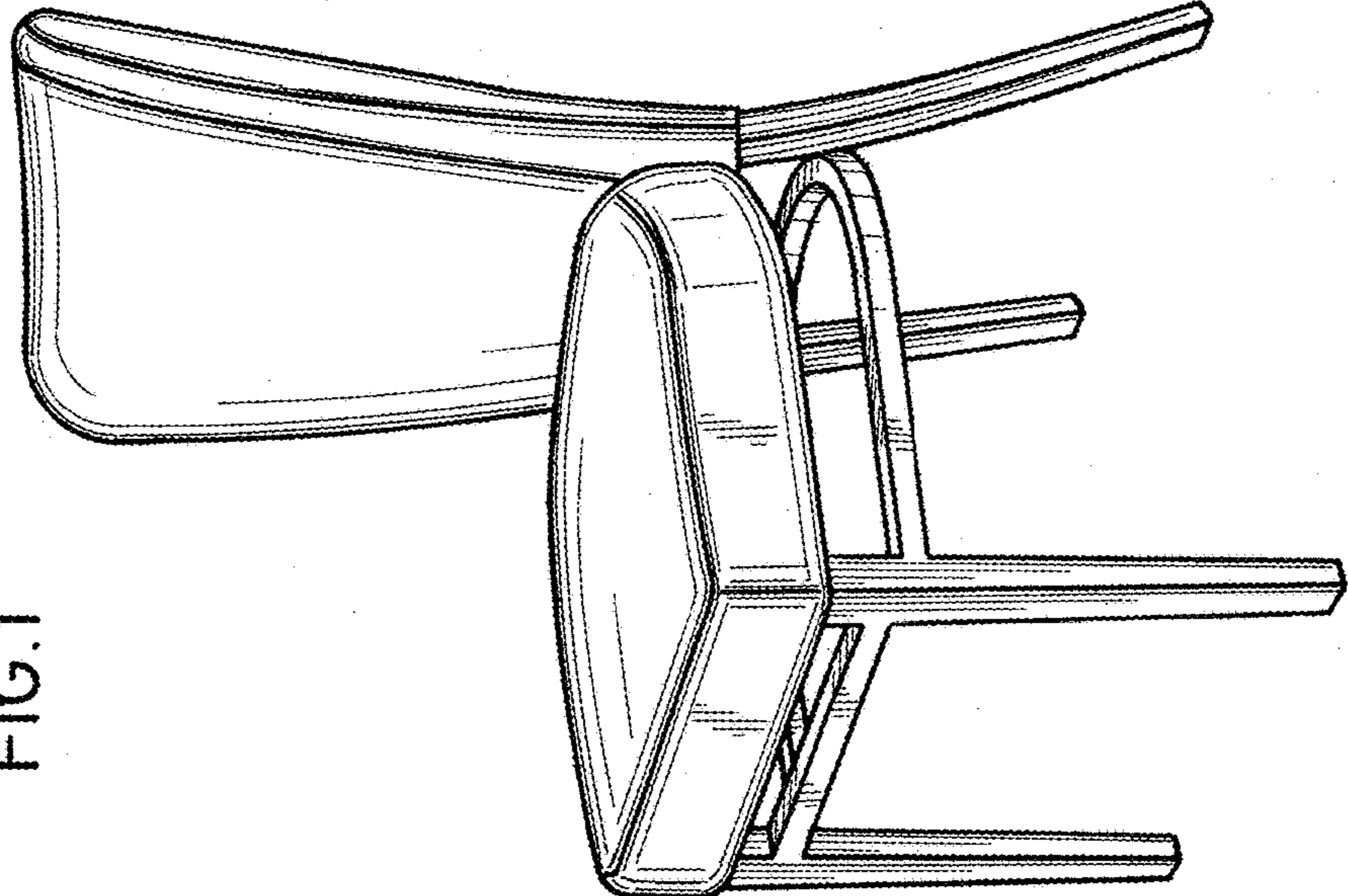


FIG. 1



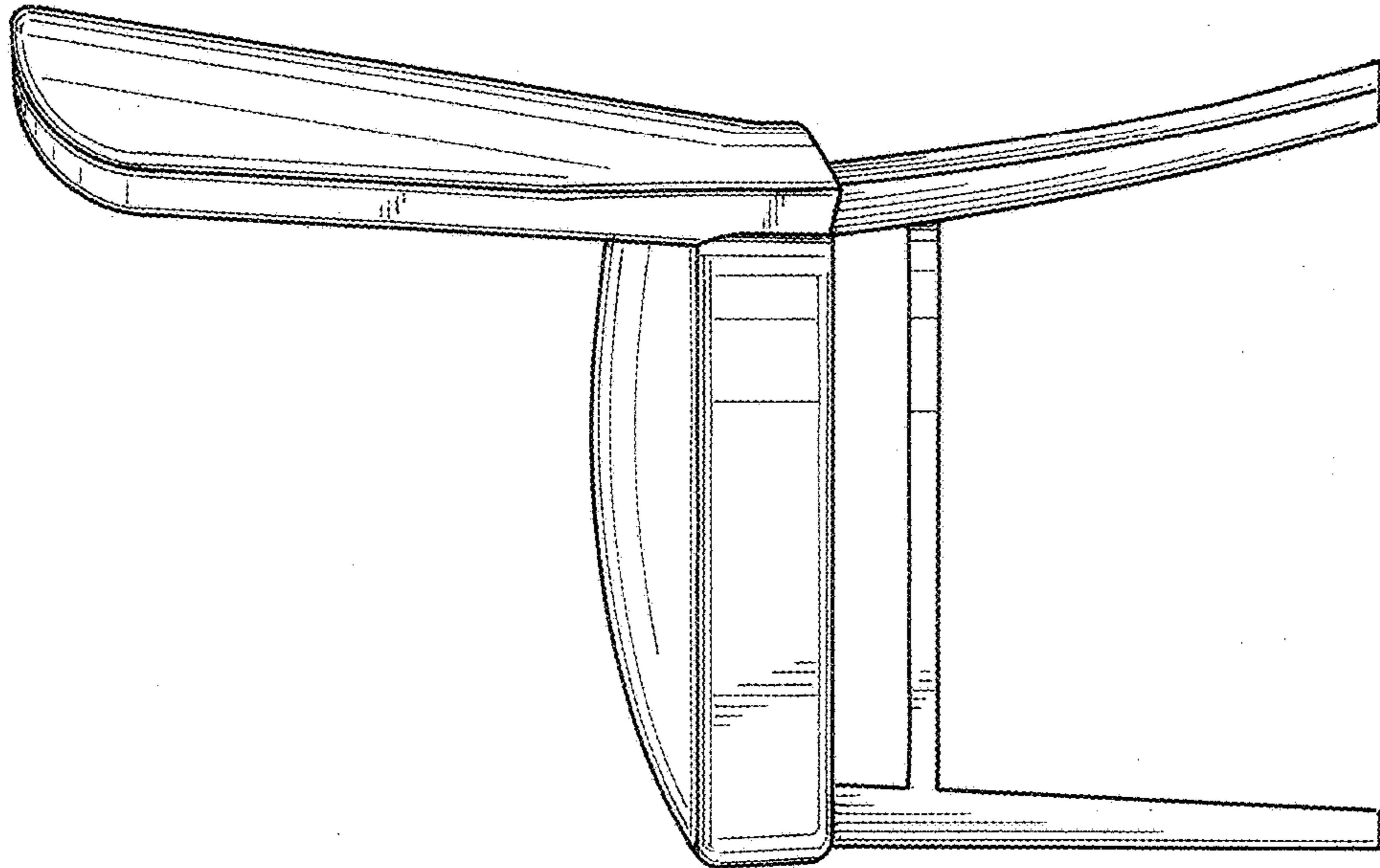


FIG. 4

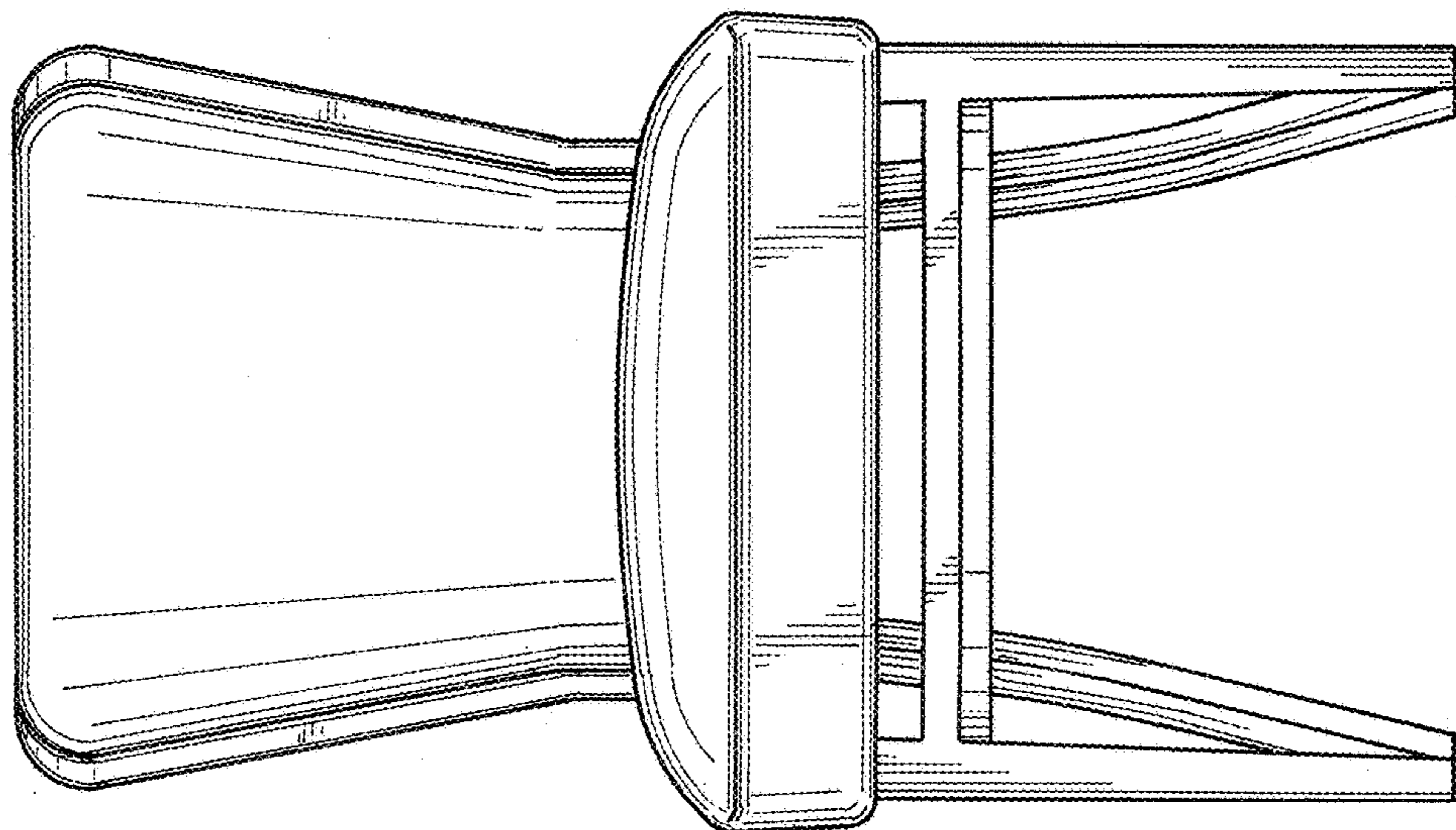


FIG. 3

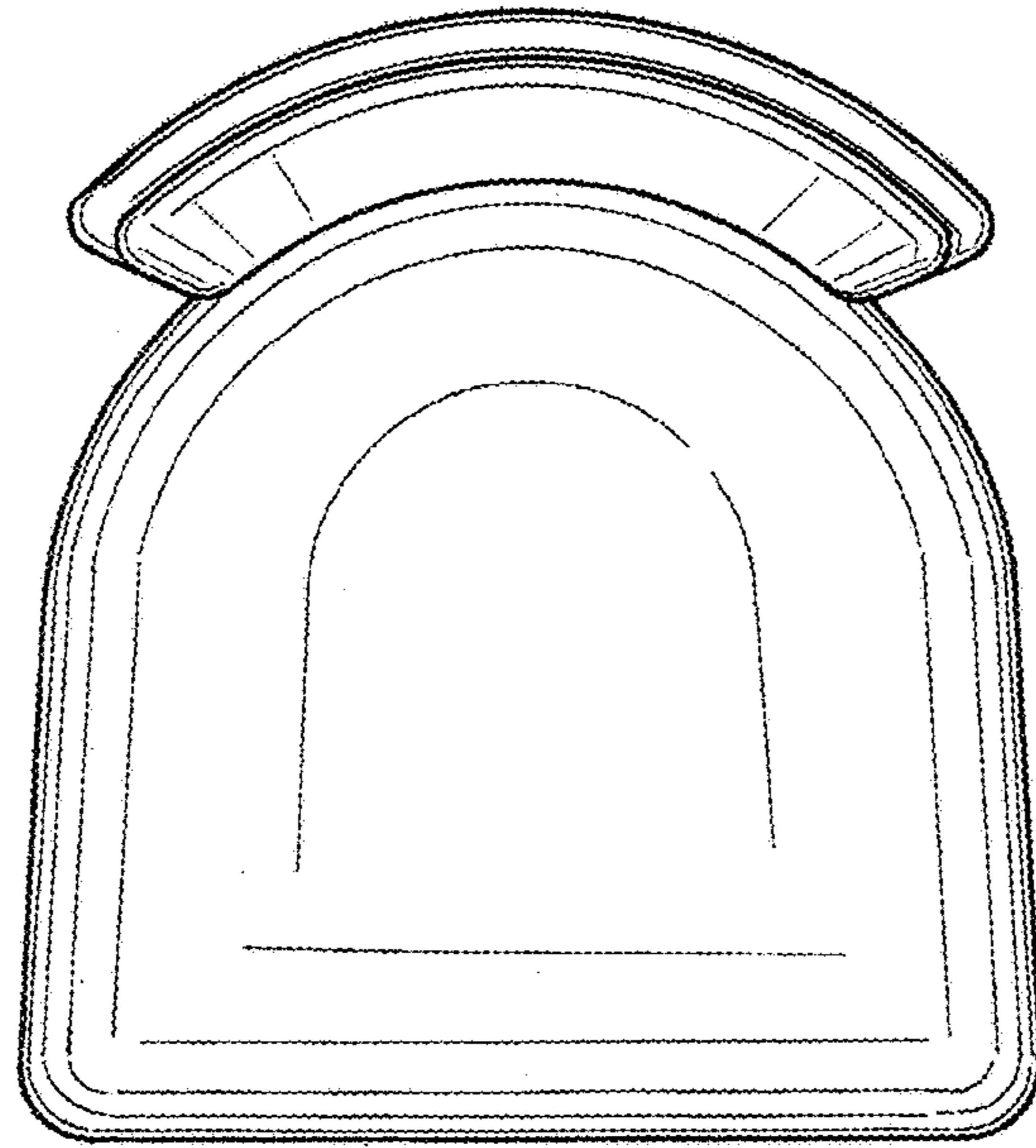


FIG. 5

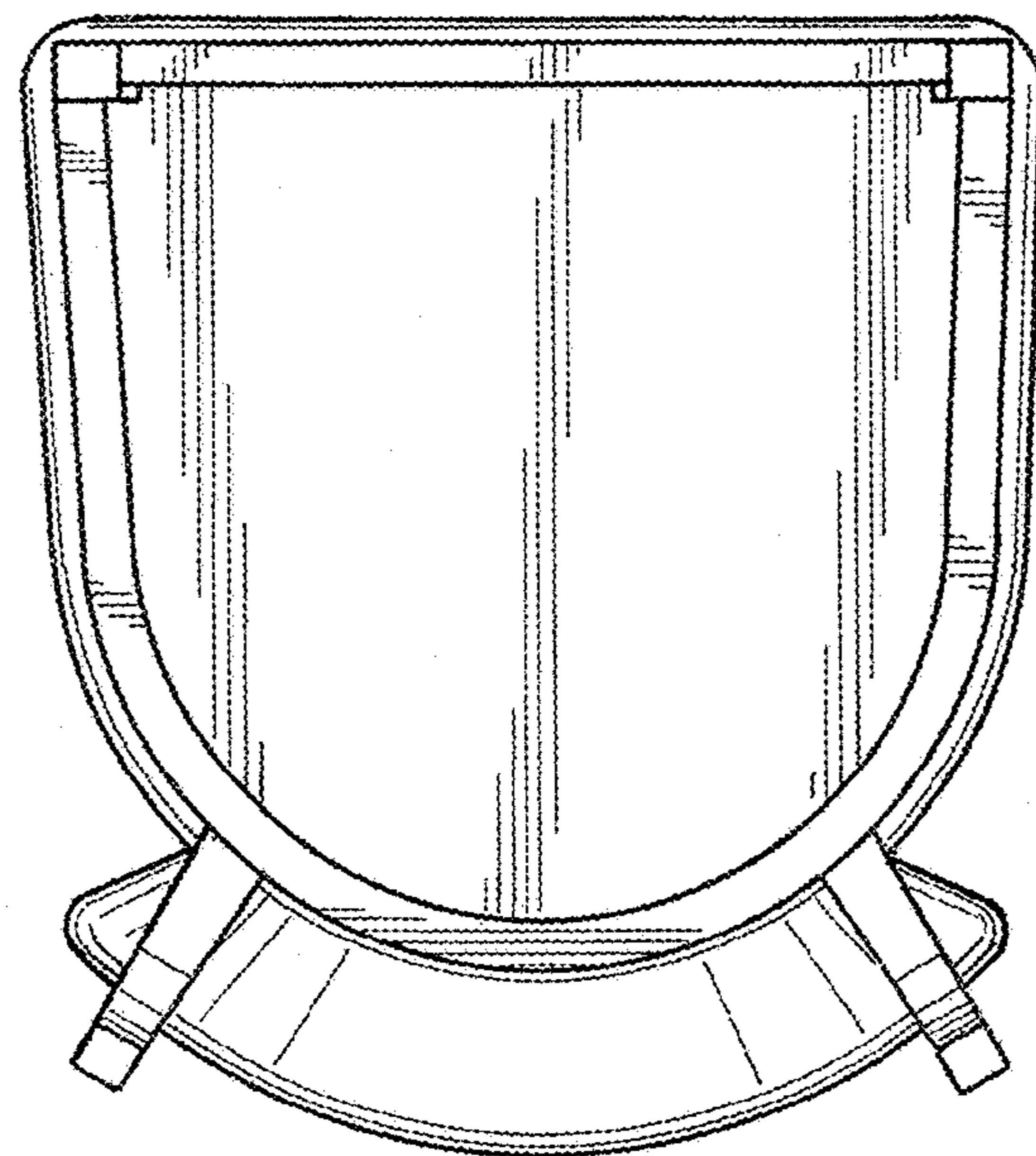


FIG. 6

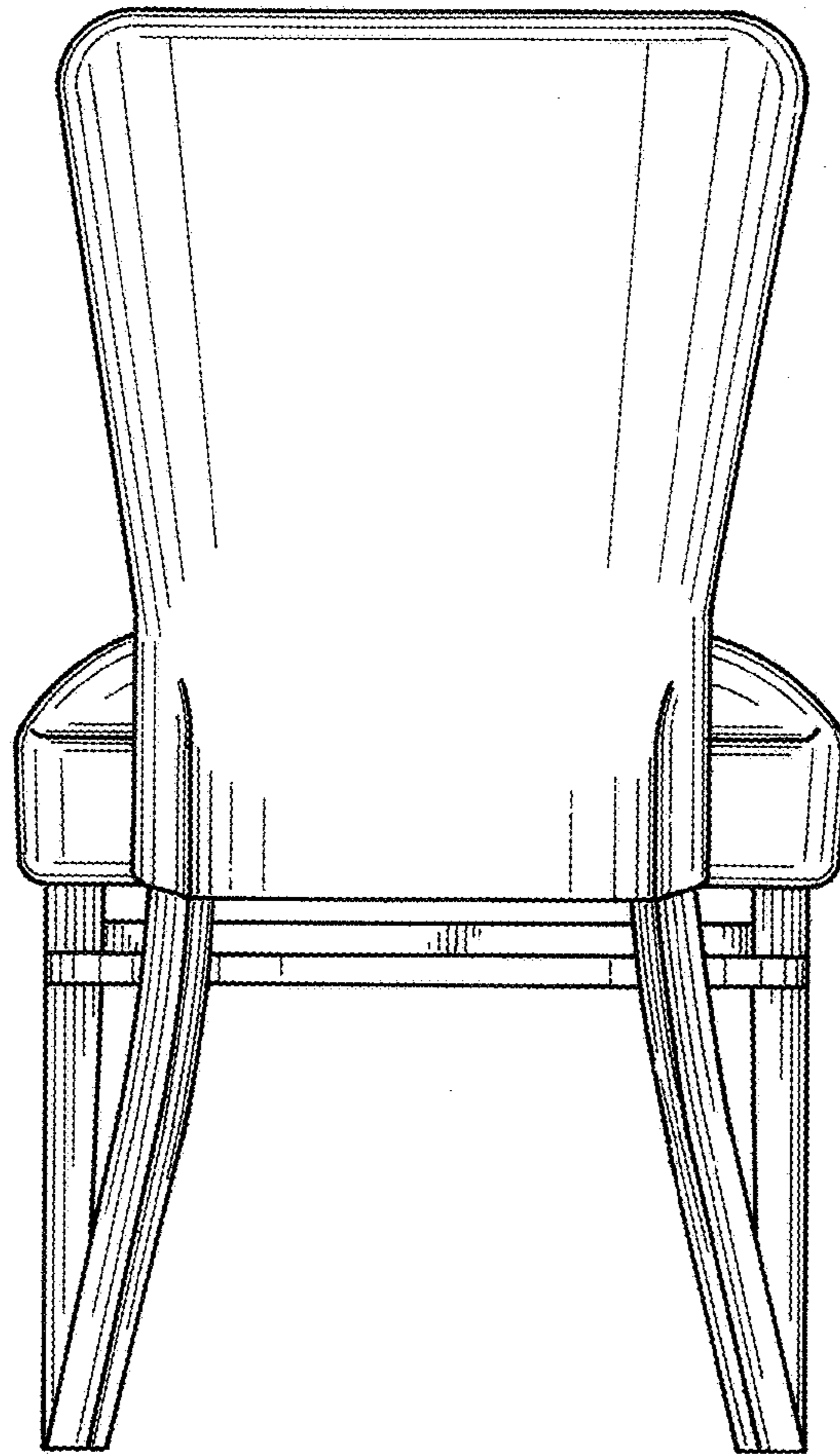


FIG. 7

FIG.8

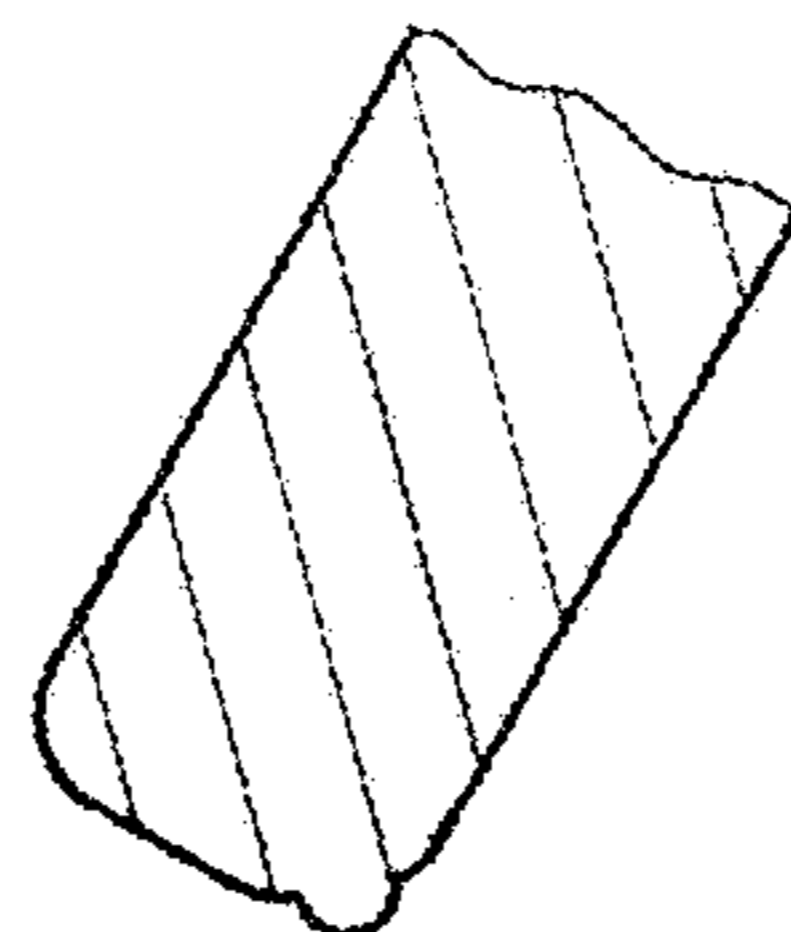
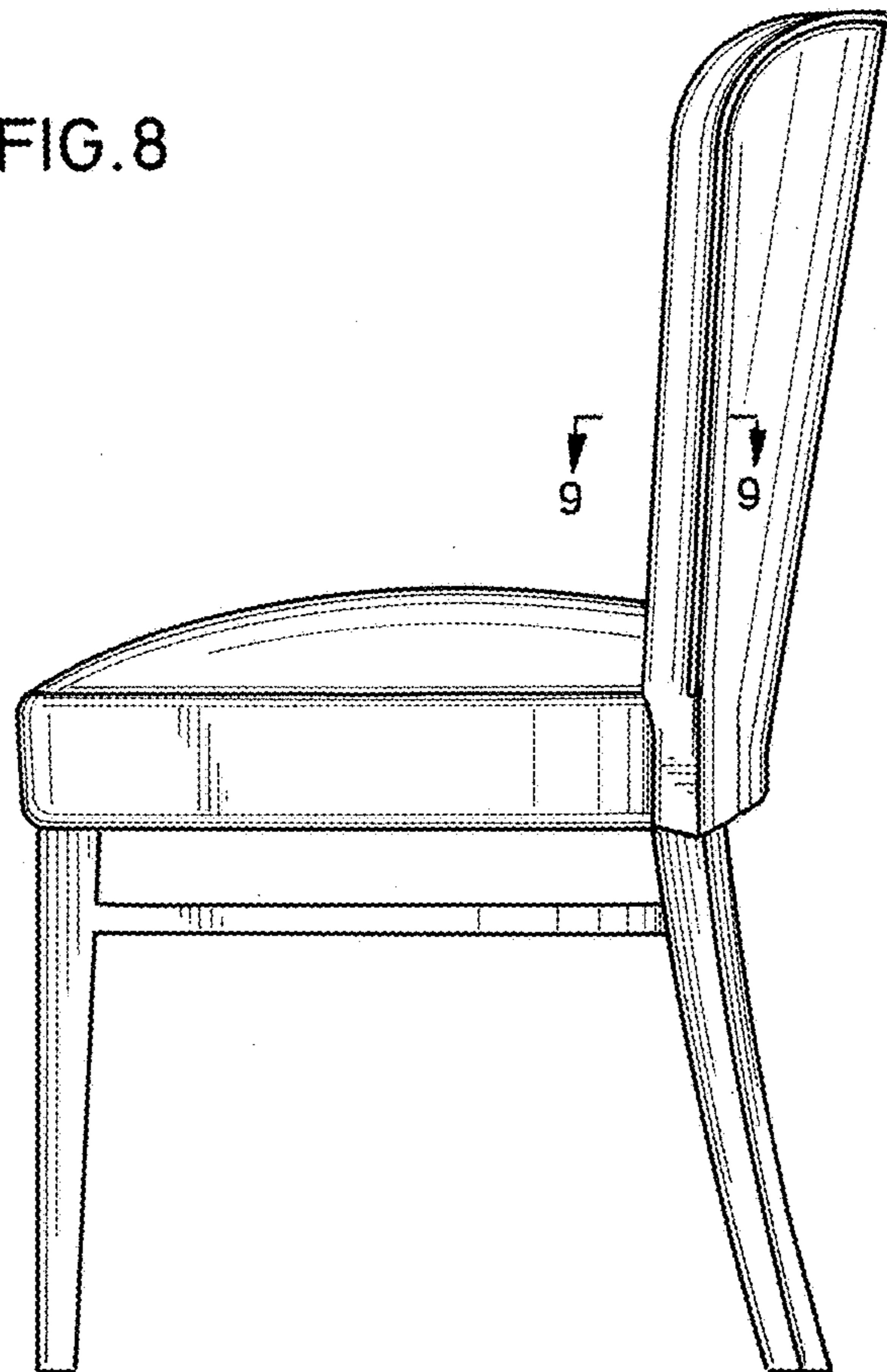


FIG.9