



US00D834844S

(12) **United States Design Patent**
Chan et al.

(10) **Patent No.:** **US D834,844 S**
(45) **Date of Patent:** **** Dec. 4, 2018**

(54) **CHAIR**

(71) Applicant: **ITOKI CORPORATION**, Osaka-shi,
Osaka (JP)

(72) Inventors: **Eric Chan**, New York, NY (US);
Yoshihisa Konishi, Osaka (JP); **Yoko Okamoto**, Osaka (JP)

(73) Assignee: **ITOKI CORPORATION**, Osaka-shi,
Osaka (JP)

(**) Term: **15 Years**

(21) Appl. No.: **29/605,342**

(22) Filed: **May 25, 2017**

(51) **LOC (11) Cl.** **06-01**

(52) **U.S. Cl.**
USPC **D6/366**

(58) **Field of Classification Search**
USPC D6/334-336, 364, 365, 366, 374, 375,
D6/379, 380, 716, 716.1, 716.2, 716.4
CPC .. A47C 7/16; A47C 7/54; A47C 7/022; A47C
7/18; A47C 7/24; A47C 7/282; A47C
7/285; A47C 7/40; A47C 7/44
See application file for complete search history.

(56) **References Cited**

U.S. PATENT DOCUMENTS

D534,384 S * 1/2007 Su D6/366
D636,614 S * 4/2011 Sander D6/366
D671,330 S * 11/2012 Izawa D6/366

D671,331 S * 11/2012 Izawa D6/366
D687,641 S * 8/2013 Barrell D6/366
D701,068 S * 3/2014 Usumoto D6/366
D702,977 S * 4/2014 Bonneywell D6/366
D728,291 S * 5/2015 Ooki D6/716.4
D758,087 S * 6/2016 Bonneywell D6/366
D763,587 S * 8/2016 Neil D6/366
D773,199 S * 12/2016 Neil D6/366
D793,141 S * 8/2017 Igarashi D6/716.4
D803,608 S * 11/2017 Nakamura D6/716

* cited by examiner

Primary Examiner — Mimoso De

(74) *Attorney, Agent, or Firm* — Drinker Biddle & Reath
LLP

(57) **CLAIM**

The ornamental design for a chair, as shown and described.

DESCRIPTION

FIG. 1 is a perspective view of the top, front and right side of a chair showing our new design;
FIG. 2 is a perspective view of the top, rear and left side thereof;
FIG. 3 is a front view thereof;
FIG. 4 is a rear view thereof;
FIG. 5 is a top plan view thereof;
FIG. 6 is a bottom plan view thereof;
FIG. 7 is a left side view thereof; and,
FIG. 8 is a right side view thereof.

The broken lines showing of a chair are for the purpose of illustrating portions of the chair and form no part of the claimed design.

1 Claim, 8 Drawing Sheets

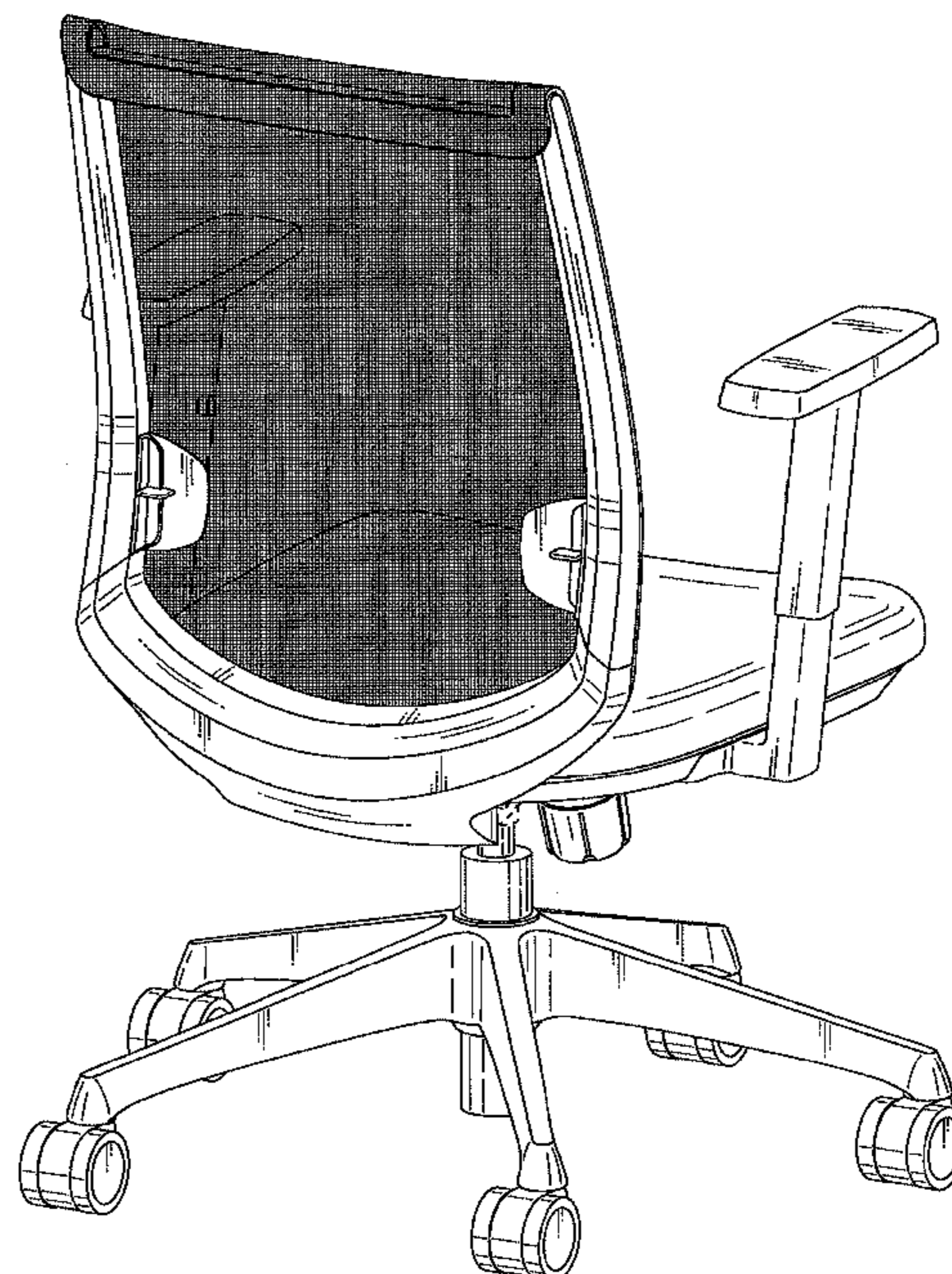
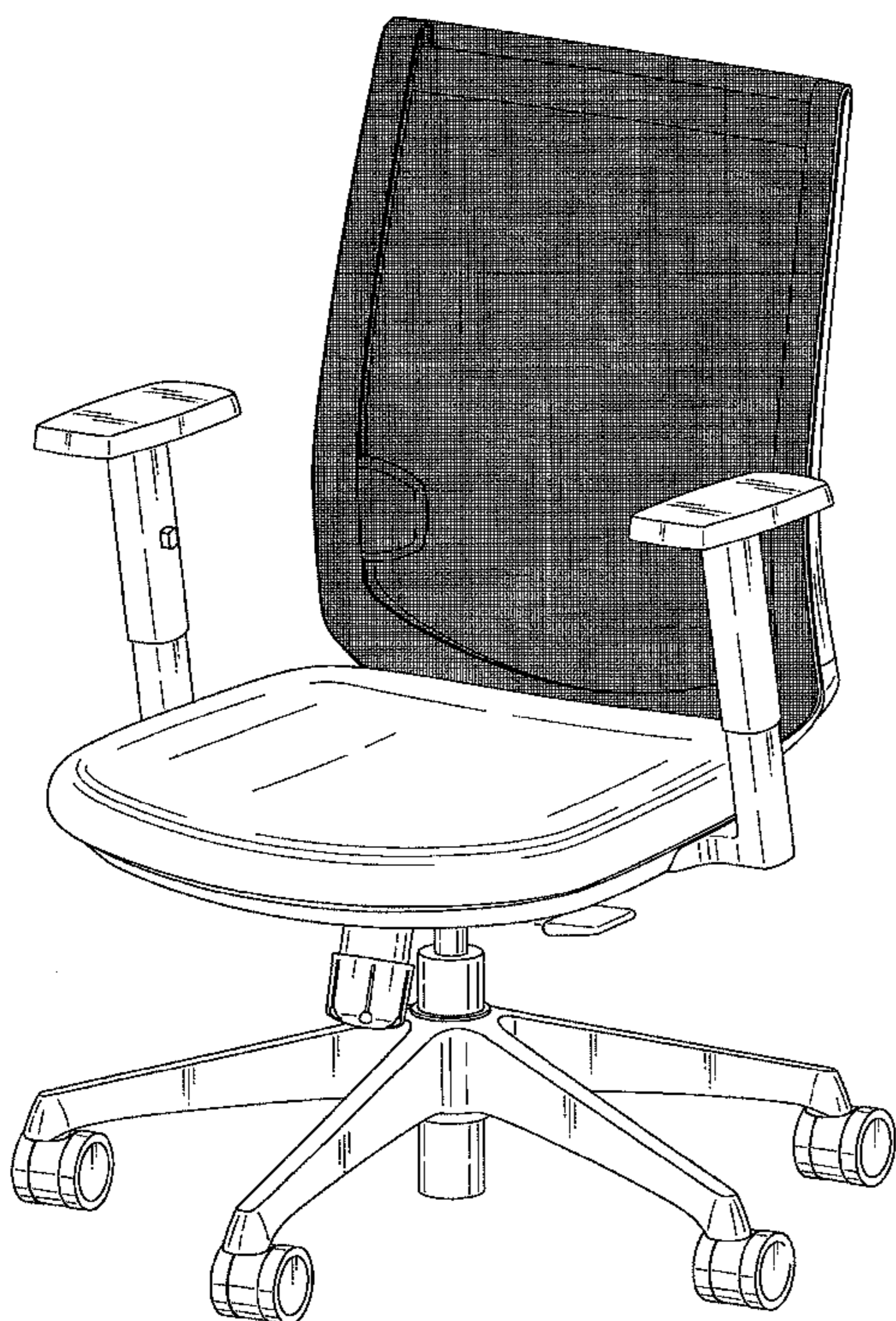


Fig. 1

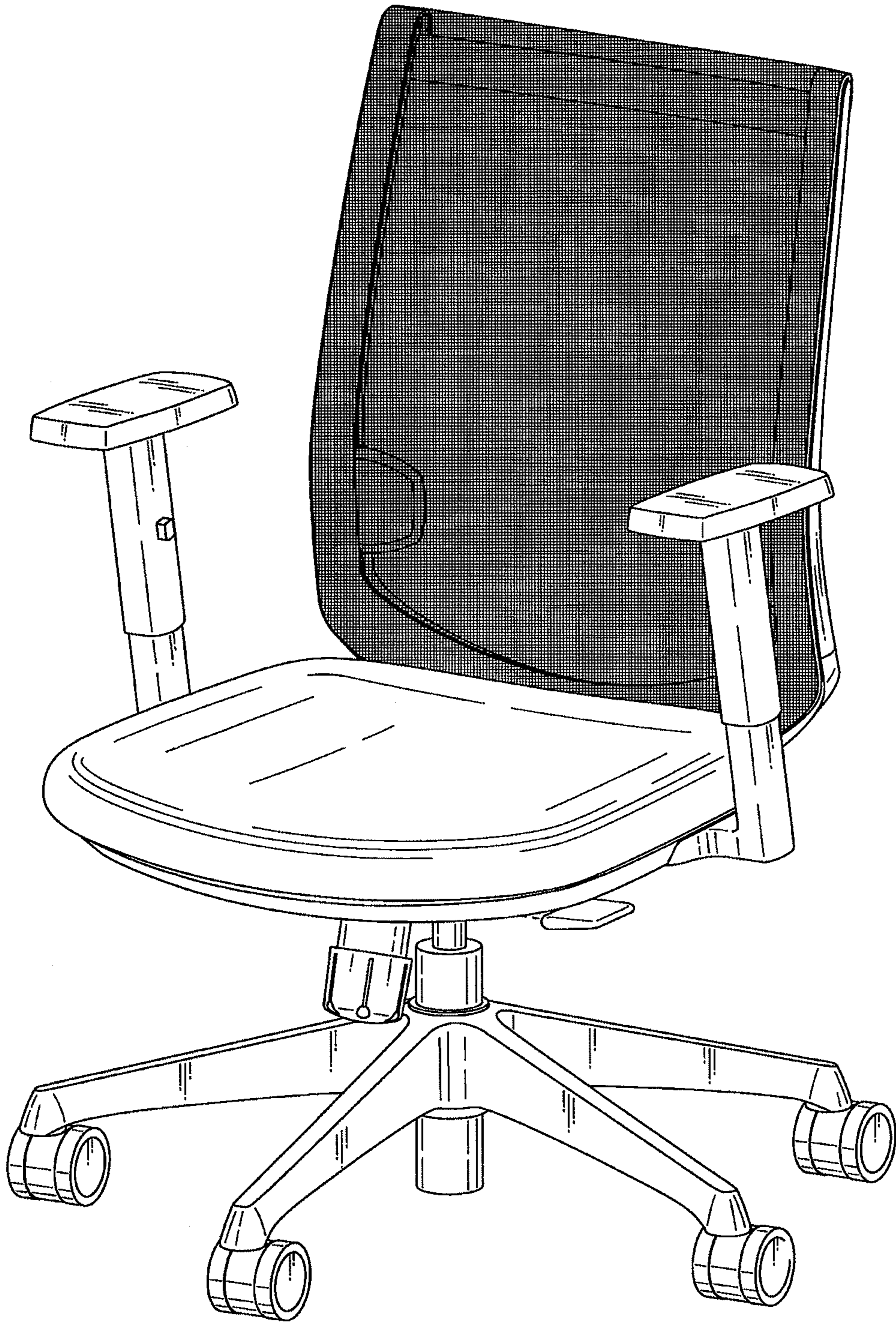


Fig. 2

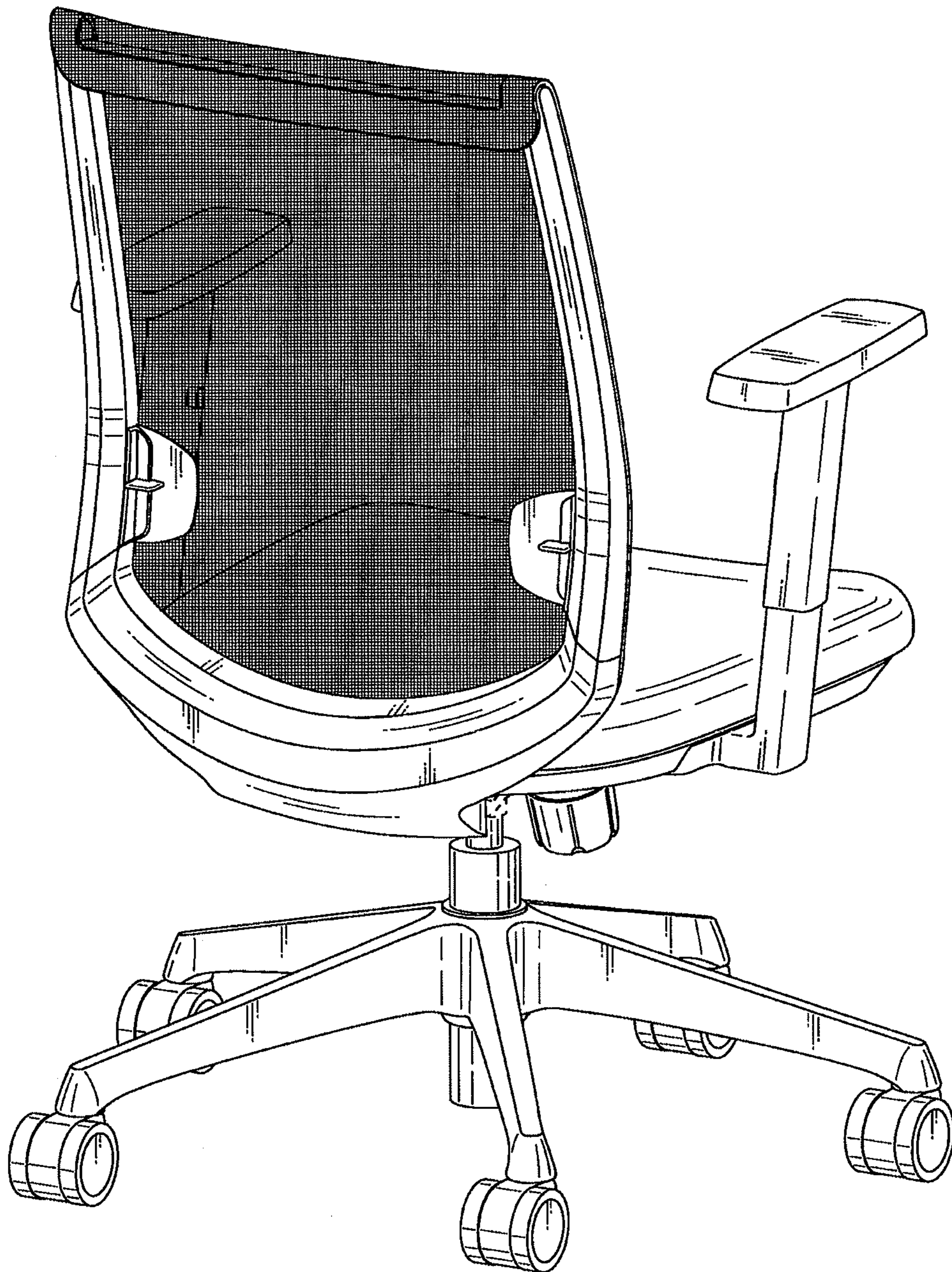


Fig. 3

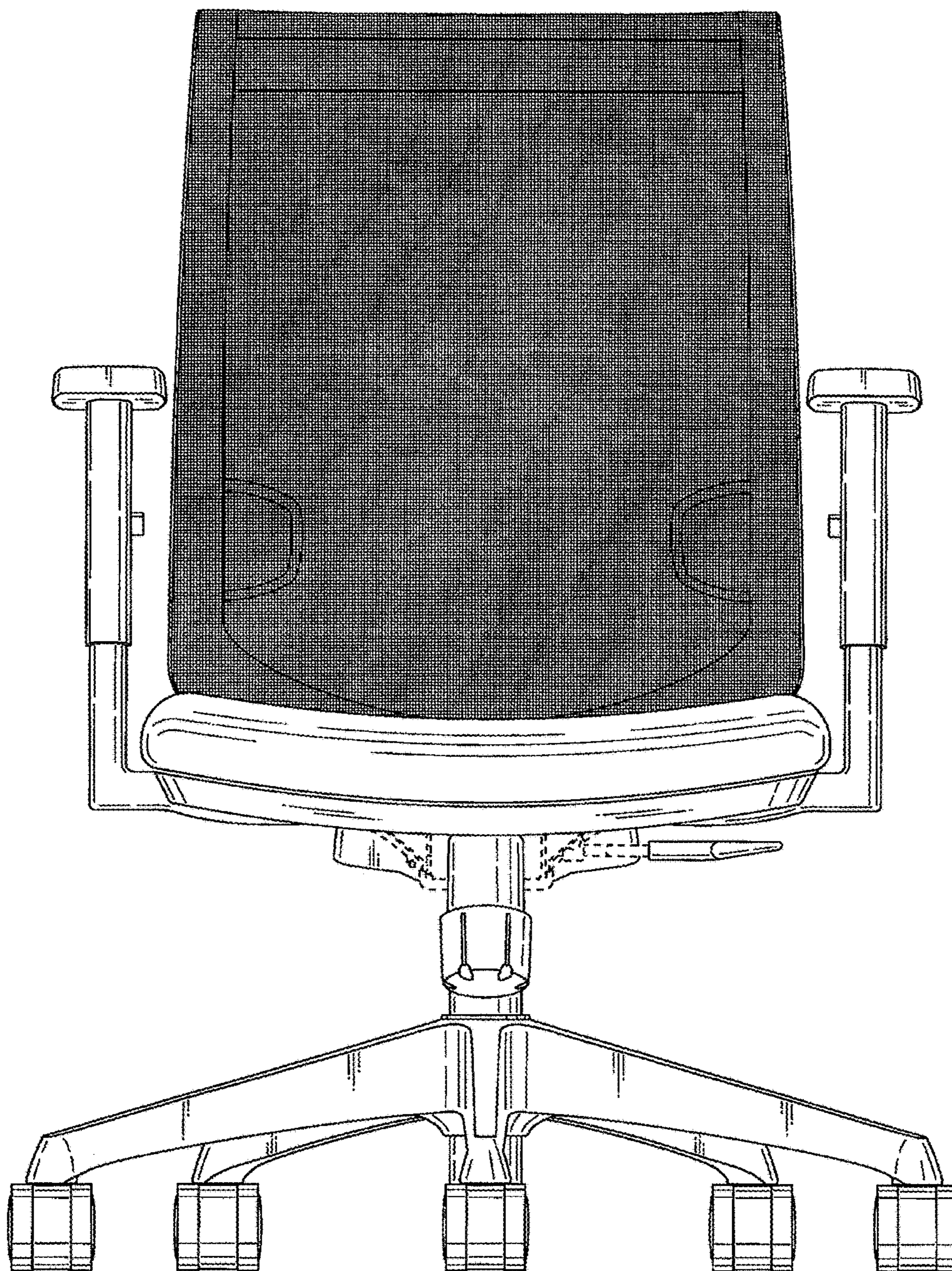


Fig. 4

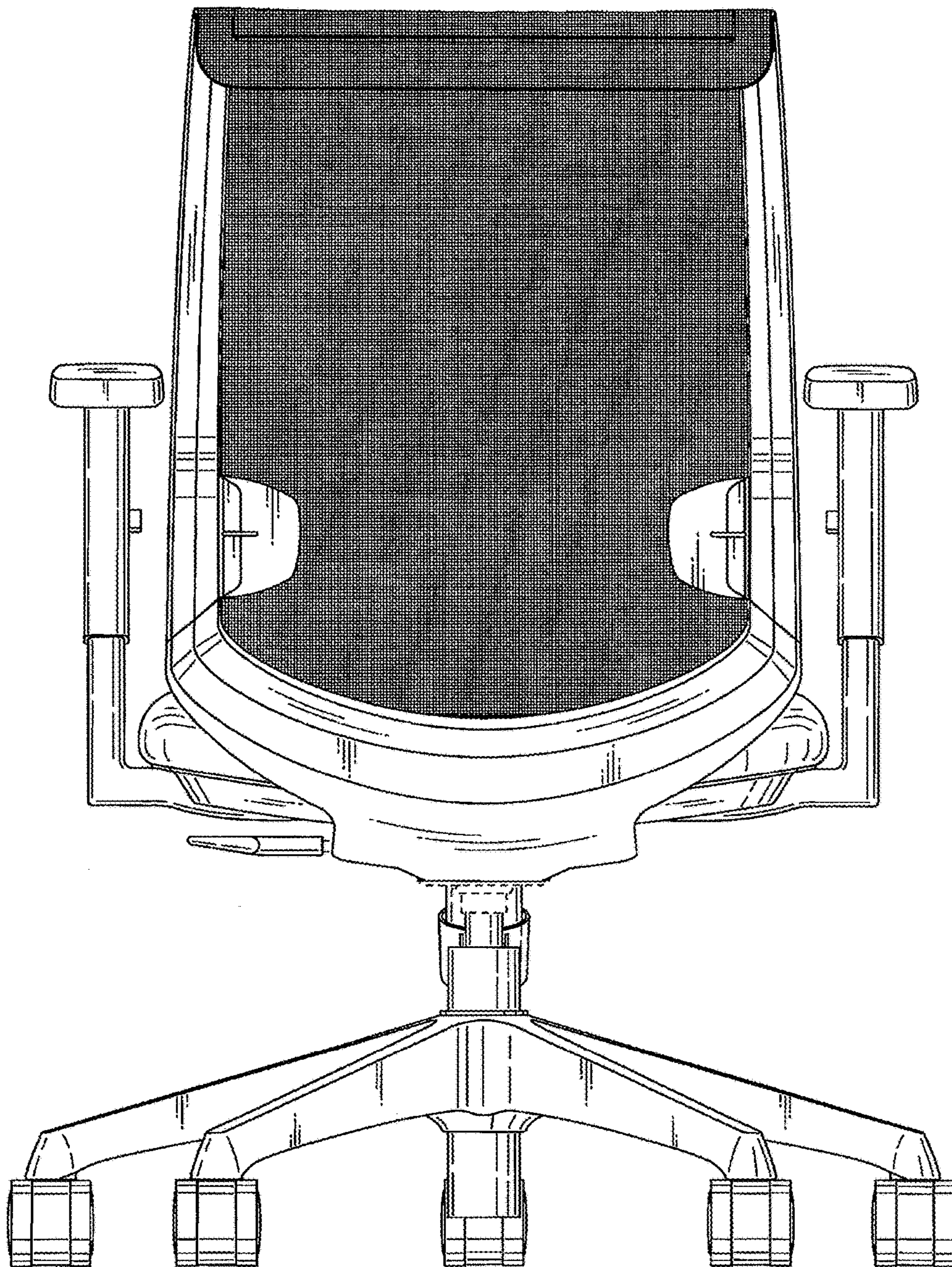


Fig. 5

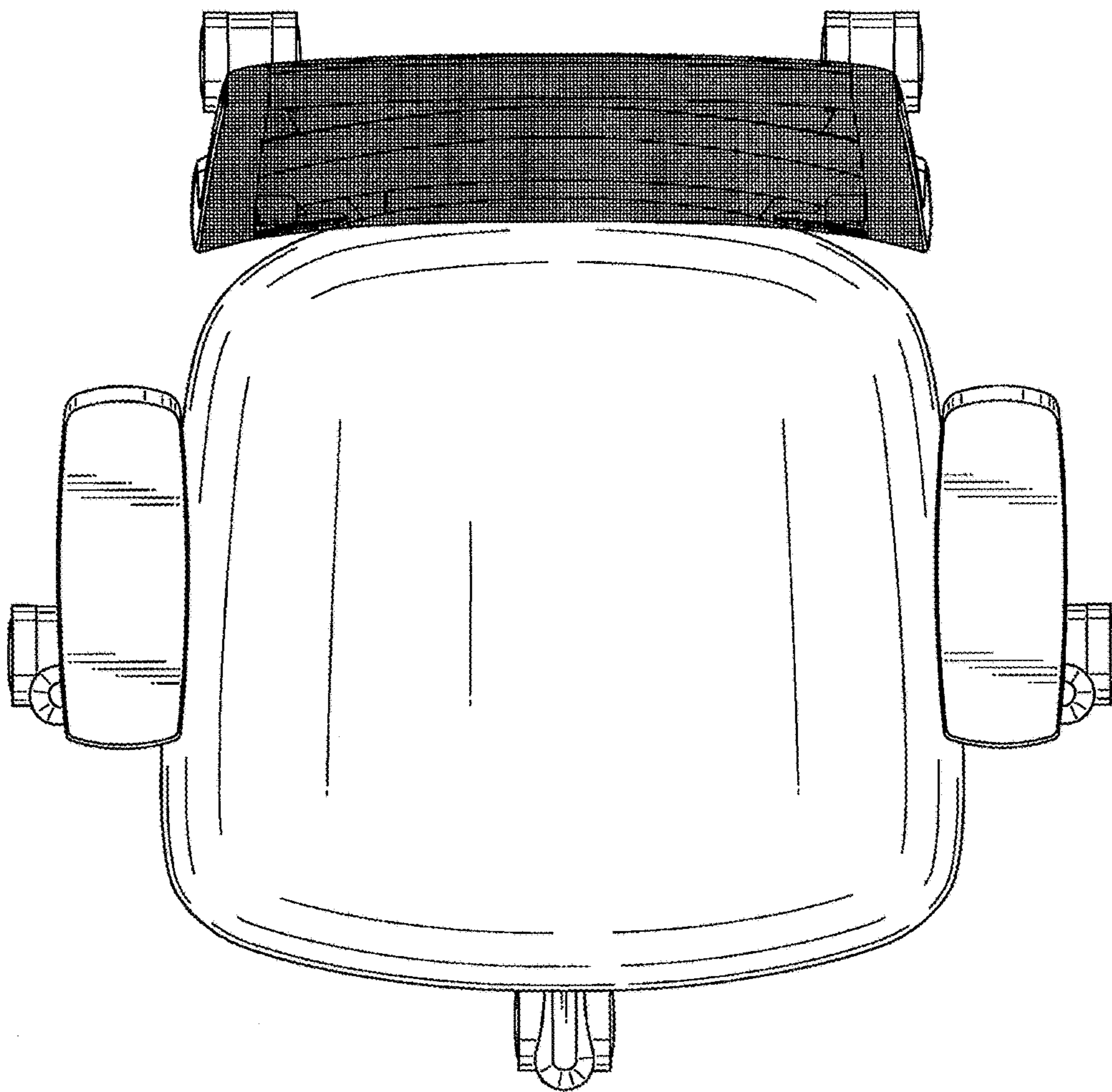


Fig. 6

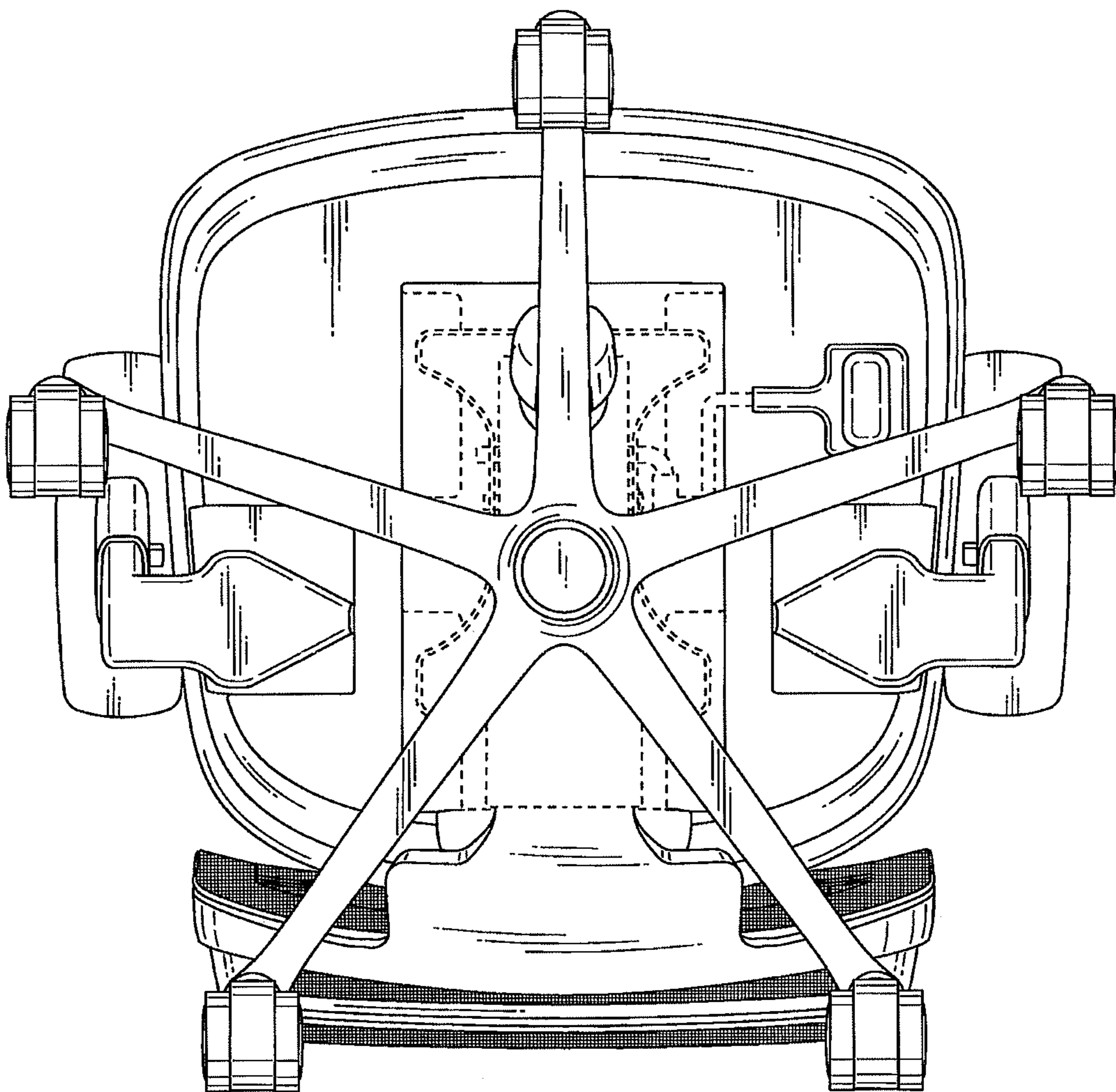


Fig. 7

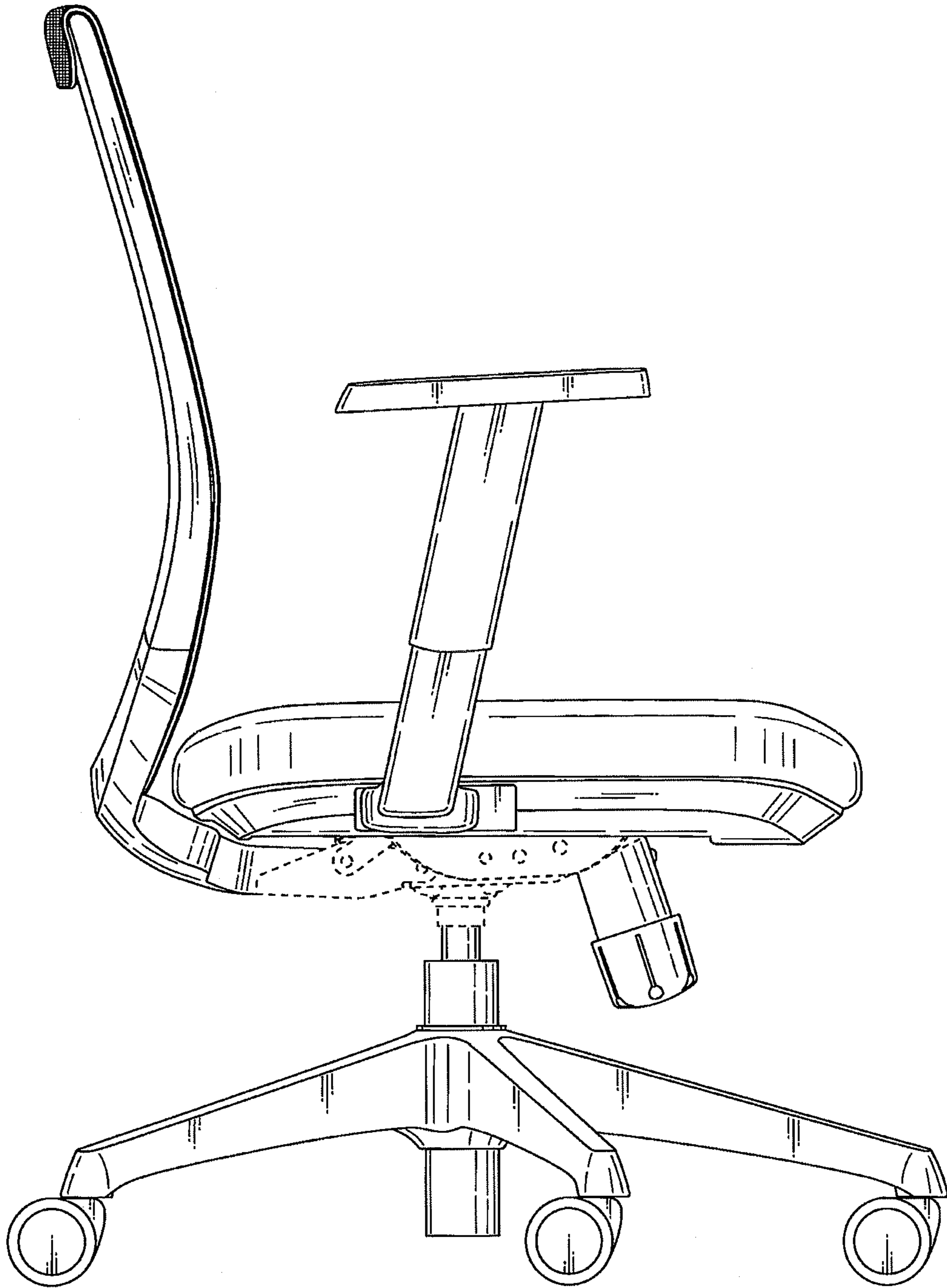


Fig. 8

