



US00D834842S

(12) **United States Design Patent**
Baiera et al.

(10) **Patent No.:** **US D834,842 S**
(45) **Date of Patent:** **** Dec. 4, 2018**

- (54) **BED STEP STOOL**
- (71) Applicants: **Vincent J. Baiera**, San Diego, CA (US); **Michael R. Bowser**, Pasadena, CA (US)
- (72) Inventors: **Vincent J. Baiera**, San Diego, CA (US); **Michael R. Bowser**, Pasadena, CA (US)
- (73) Assignee: **Vincent J. Baiera**, San Diego, CA (US)
- (**) Term: **15 Years**
- (21) Appl. No.: **29/654,374**
- (22) Filed: **Jun. 22, 2018**

Related U.S. Application Data

- (63) Continuation of application No. 15/175,872, filed on Jun. 7, 2016, now Pat. No. 10,034,807.
- (51) **LOC (11) Cl.** **06-01**
- (52) **U.S. Cl.**
USPC **D6/349**
- (58) **Field of Classification Search**
USPC D6/334, 349-353, 355, 364-365, 596, D6/601, 604, 691-691.9, 692-692.6, D6/716-716.1
CPC A47C 16/00; A47C 16/02-16/04; A47C 13/00; A47C 11/00; A47C 12/00; A47K 17/02; A47K 17/028; A47B 7/00-7/02
See application file for complete search history.

(56) **References Cited**

U.S. PATENT DOCUMENTS

- 2,016,850 A * 10/1935 Bittermann A47B 7/02 108/94
- 3,176,322 A * 4/1965 Mulcahy A61G 7/053 297/5

- 3,656,809 A * 4/1972 Ronning A47C 13/00 297/338
- 3,667,803 A * 6/1972 Ford A47B 85/00 297/119
- 4,394,049 A * 7/1983 Ward A47C 16/04 297/423.11
- 4,550,802 A * 11/1985 Roper A61G 7/053 182/113
- 5,449,013 A * 9/1995 Landers A61G 7/053 135/67

(Continued)

OTHER PUBLICATIONS

step2bed Home Page. [online] Published on Jun. 28, 2018. Retrieved Aug. 2, 2018 from URL: <https://www.step2bed.com/home-page>.*

(Continued)

Primary Examiner — Vy N Koenig

(74) *Attorney, Agent, or Firm* — Procopio, Cory, Hargreaves & Savitch LLP

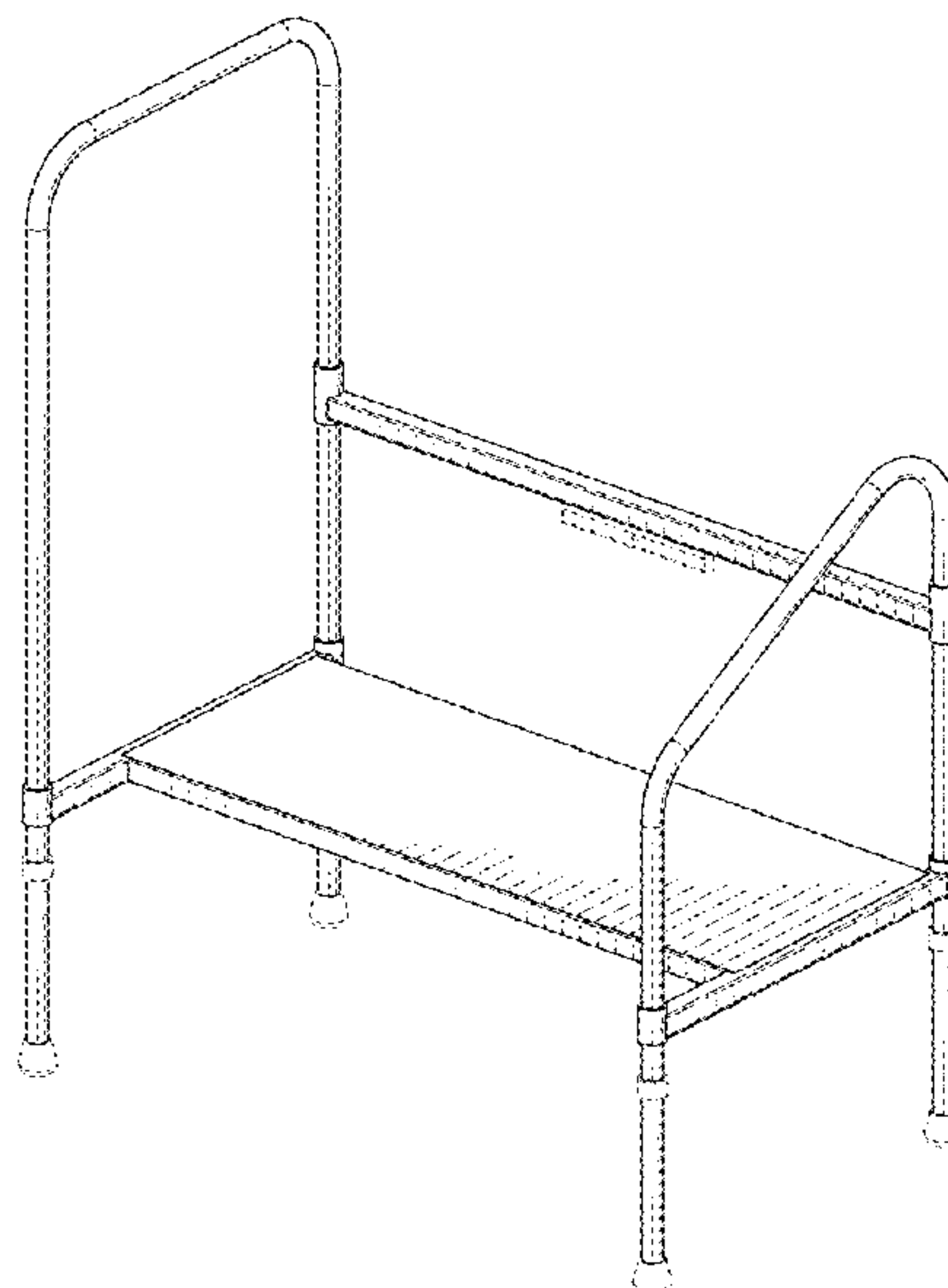
(57) **CLAIM**

The ornamental design for a bed step stool, as shown and described.

DESCRIPTION

FIG. 1 is a rear and left side perspective view of a bed step stool.
 FIG. 2 is a front elevational view of the bed step stool.
 FIG. 3 is a rear elevational view of the bed step stool.
 FIG. 4 is a left side elevational view of the bed step stool.
 FIG. 5 is a right side elevational view of the bed step stool.
 FIG. 6 is a top plan view of the bed step stool; and,
 FIG. 7 is a bottom plan view of the bed step stool.
 The broken lines shown in FIGS. 1-7 are included for the purpose of illustrating environmental elements only and form no part of the claimed design.

1 Claim, 5 Drawing Sheets



(56)

References Cited

U.S. PATENT DOCUMENTS

5,509,152 A * 4/1996 Kippes A61G 7/10
135/67
6,401,280 B1 * 6/2002 Baker A47C 21/08
5/426
D646,083 S * 10/2011 Stabile D6/708.16
8,479,335 B1 * 7/2013 Perry A47C 16/04
297/423.16
10,034,807 B2 * 7/2018 Baiera A61G 7/053
2004/0049855 A1 * 3/2004 Leoutsakos A47C 19/02
5/662
2009/0294214 A1 * 12/2009 Vosbikian A47C 12/00
182/129
2016/0374881 A1 * 12/2016 Baiera A47C 12/00
5/507.1

OTHER PUBLICATIONS

Chrome Two Step Stool with Single Handrail. [online] Retrieved Aug. 2, 2018 from URL: <https://www.medicus-health.com/chrome-two-step-stool-with-single-handrail.html>.*

* cited by examiner

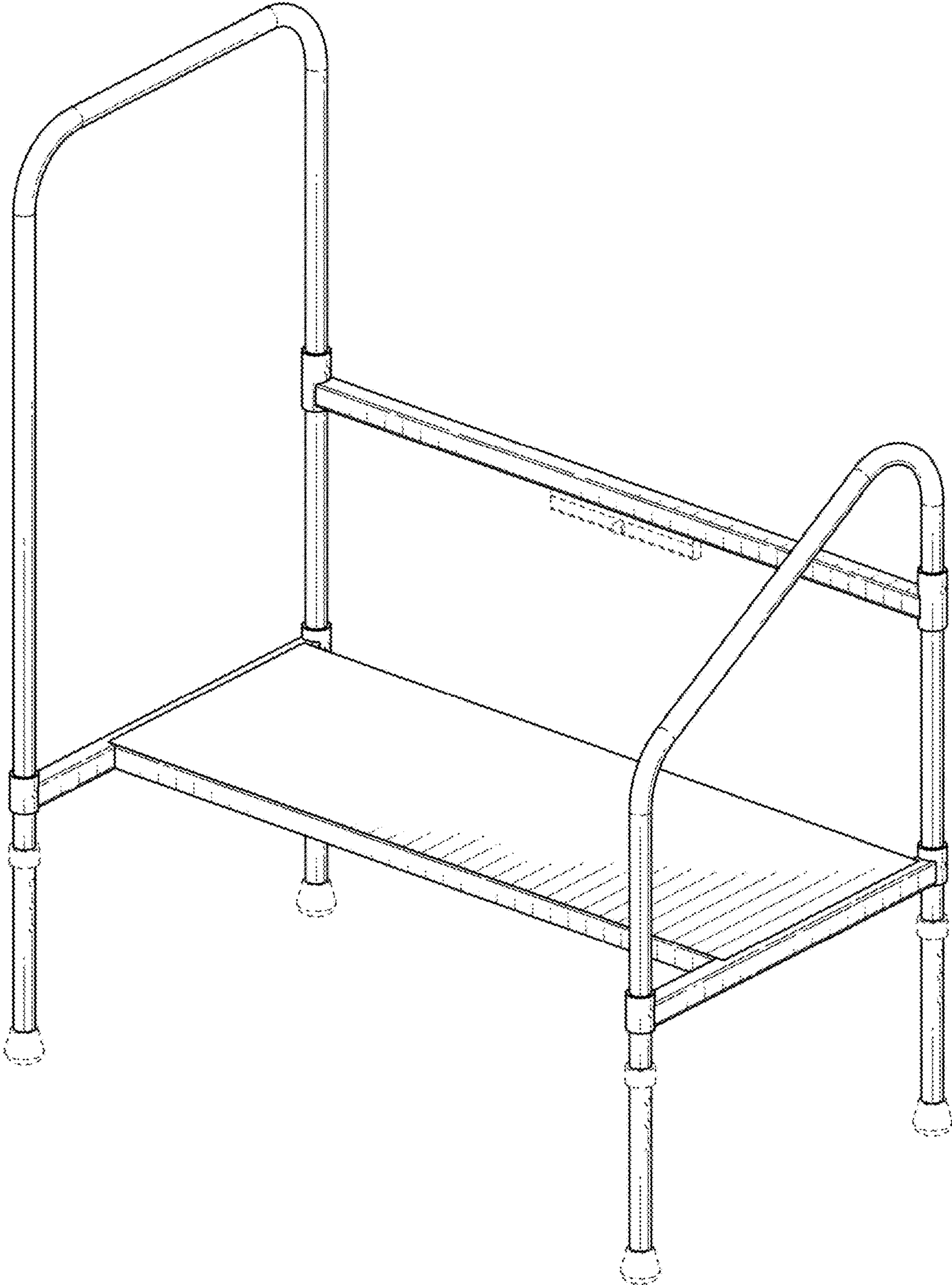


FIG. 1

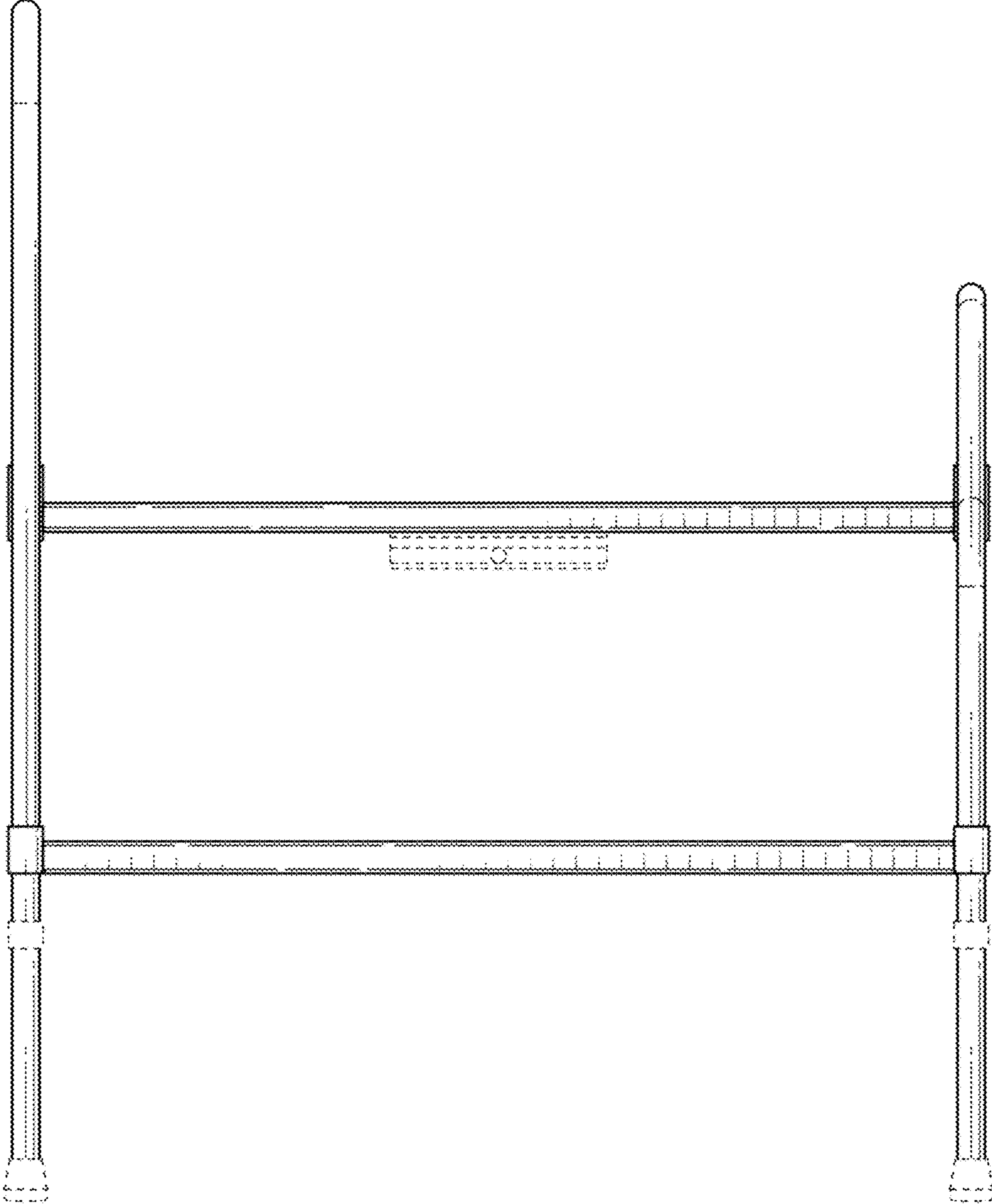


FIG. 2

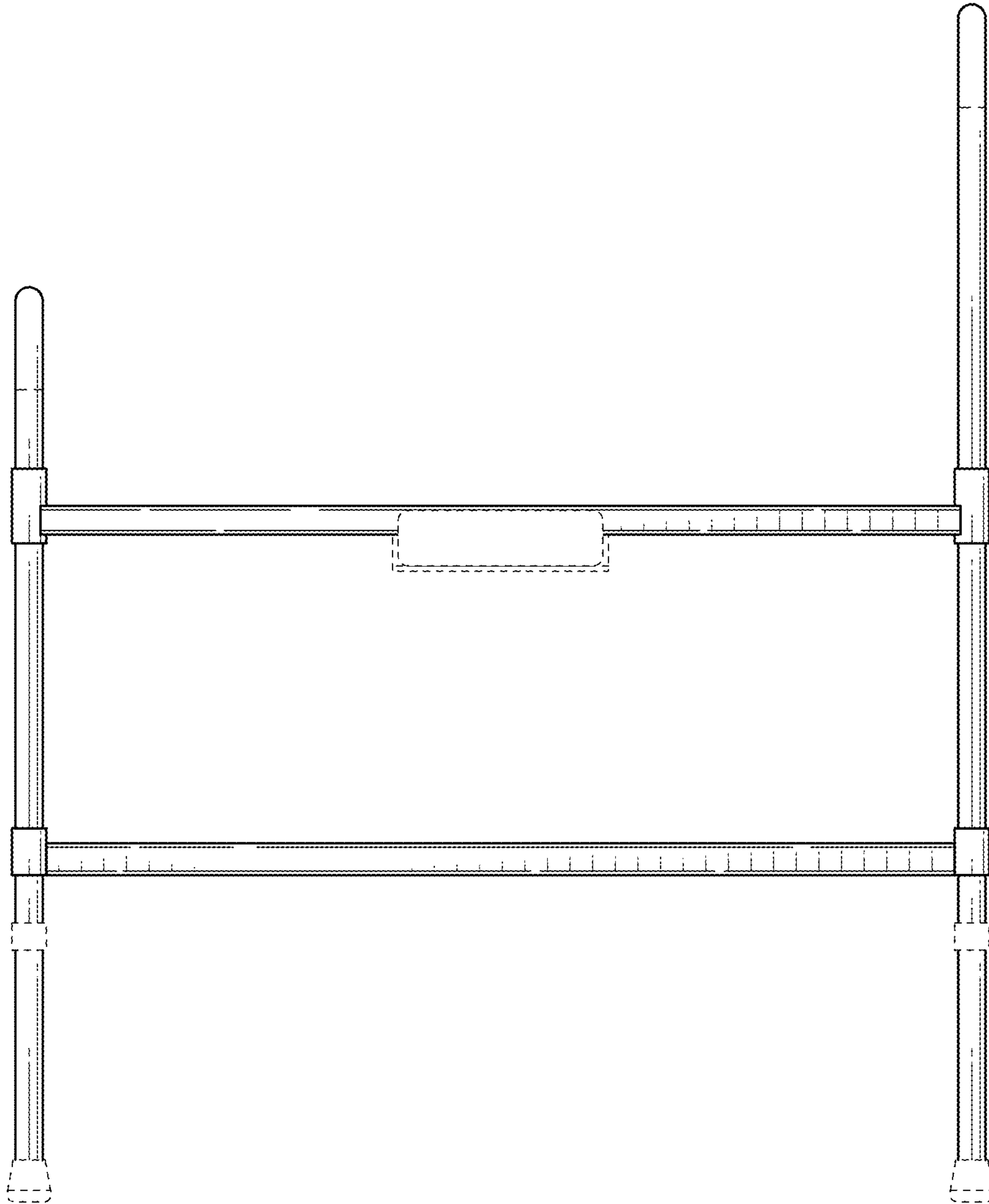


FIG. 3

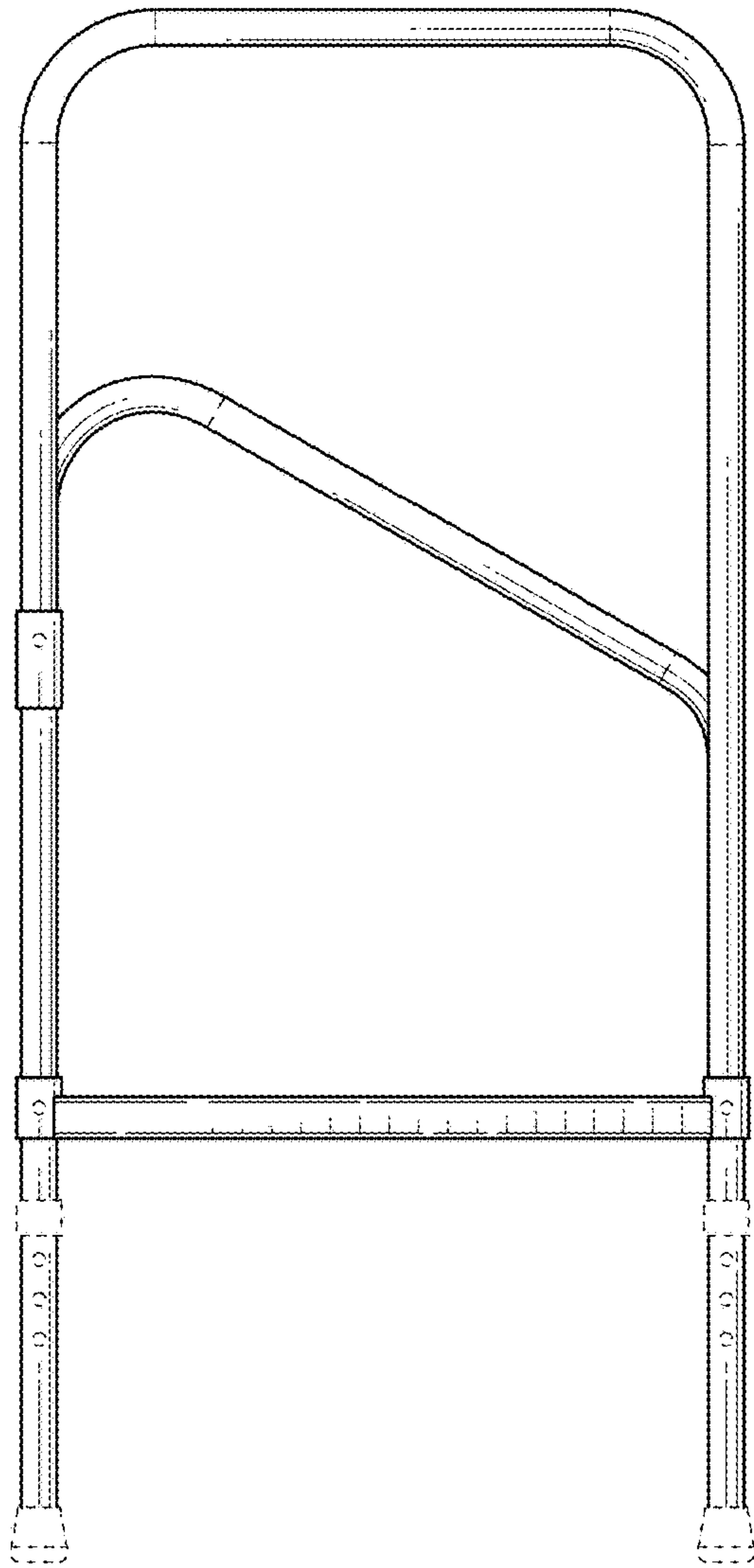


FIG. 4

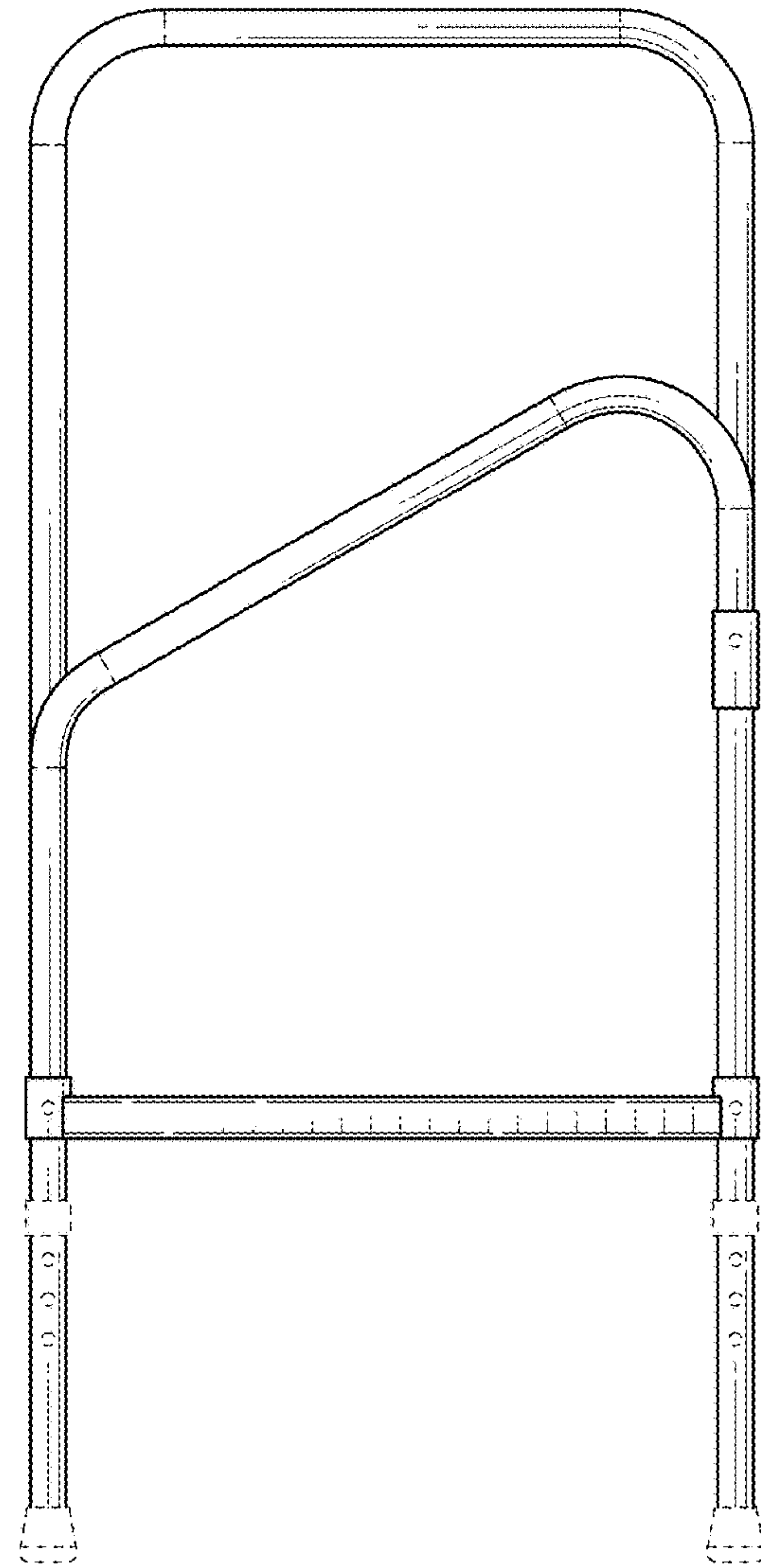


FIG. 5

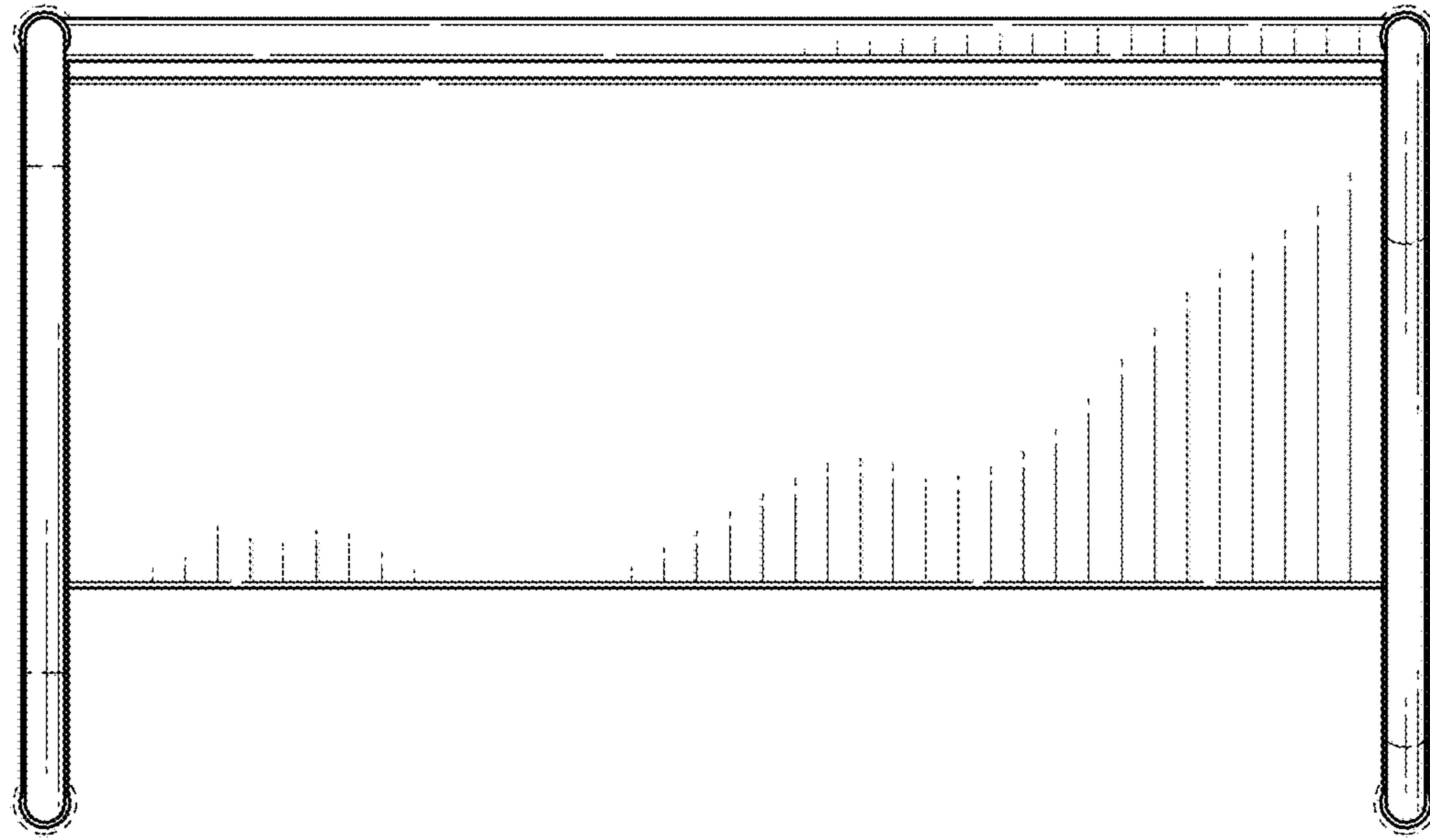


FIG. 6

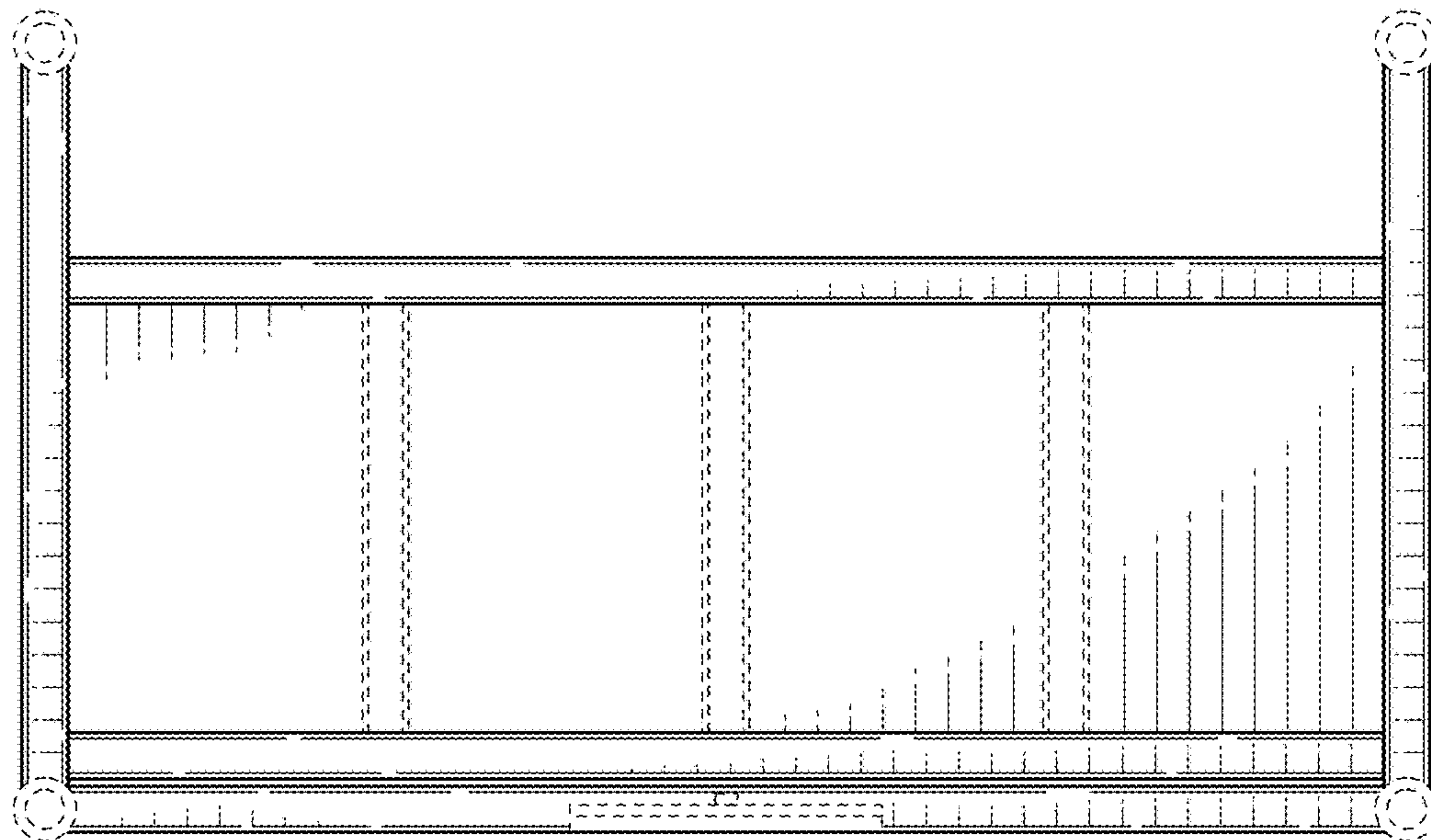


FIG. 7