



US00D834832S

(12) **United States Design Patent**  
**Kim**

(10) **Patent No.:** **US D834,832 S**

(45) **Date of Patent:** **\*\* Dec. 4, 2018**

(54) **HAIR BRUSH BRISTLE CONFIGURATION**

(71) Applicant: **Michelle Kim**, Fountain Valley, CA  
(US)

(72) Inventor: **Michelle Kim**, Fountain Valley, CA  
(US)

(73) Assignee: **Michelle Kim**, Fountain Valley, CA  
(US)

(\*\*) Term: **15 Years**

(21) Appl. No.: **29/600,926**

(22) Filed: **Apr. 17, 2017**

(51) **LOC (11) Cl.** ..... **04-02**

(52) **U.S. Cl.**  
USPC ..... **D4/136**

(58) **Field of Classification Search**  
USPC ..... D4/117, 119, 121, 128, 130, 131, 132,  
D4/133, 134, 135, 136, 137, 138, 199;  
D24/211, 212, 213, 214, 215; D30/158,  
D30/159

CPC ..... A46B 3/005; A46B 5/02; A46B 9/023;  
A46B 9/025; A46B 9/026; A46B 9/028;  
A46B 9/06; A46B 2200/104; A46B  
5/0029; A46D 1/0253; A46D 1/0292;  
A46D 1/0207; A46D 1/0238; A46D  
1/0246; A46D 1/0284; A46D 1/00; A46D  
1/02

See application file for complete search history.

(56) **References Cited**

**U.S. PATENT DOCUMENTS**

D54,454 S \* 2/1920 Ring ..... D4/124  
D75,811 S \* 7/1928 Smith ..... D4/134  
1,793,307 A \* 2/1931 Dolan ..... A47K 11/10  
15/188  
1,957,363 A \* 5/1934 Snell ..... A46B 3/16  
15/186  
D157,707 S \* 3/1950 Shlesey ..... 15/118

5,771,525 A \* 6/1998 Fulcher ..... B05C 17/12  
15/145  
6,634,051 B1 \* 10/2003 Dragan ..... A46B 5/00  
15/105  
D509,363 S \* 9/2005 Kampel ..... D4/133  
8,056,569 B2 \* 11/2011 Berhault ..... A45D 40/262  
132/218

(Continued)

*Primary Examiner* — Karen E Eldridge Powers

(74) *Attorney, Agent, or Firm* — Gordon & Rees LLP

(57) **CLAIM**

The ornamental design for a hair brush bristle configuration,  
as shown and described.

**DESCRIPTION**

This application is concurrently filed with U.S. Design application Ser. No. 29/600,925 titled Combined Hair Brush With Lid, and U.S. Design application Ser. No. 29/600,928 titled Dry Shampoo Hair Brush Applicator, the specifications of which are hereby expressly incorporated by reference in their entirety.

FIG. 1 is a front elevation view of the hair brush bristle configuration according to the new design;

FIG. 2 is a perspective view of the hair brush bristle configuration;

FIG. 3 is a side elevation view of the hair brush bristle configuration;

FIG. 4 is a top and bottom plan view of the hair brush bristle configuration;

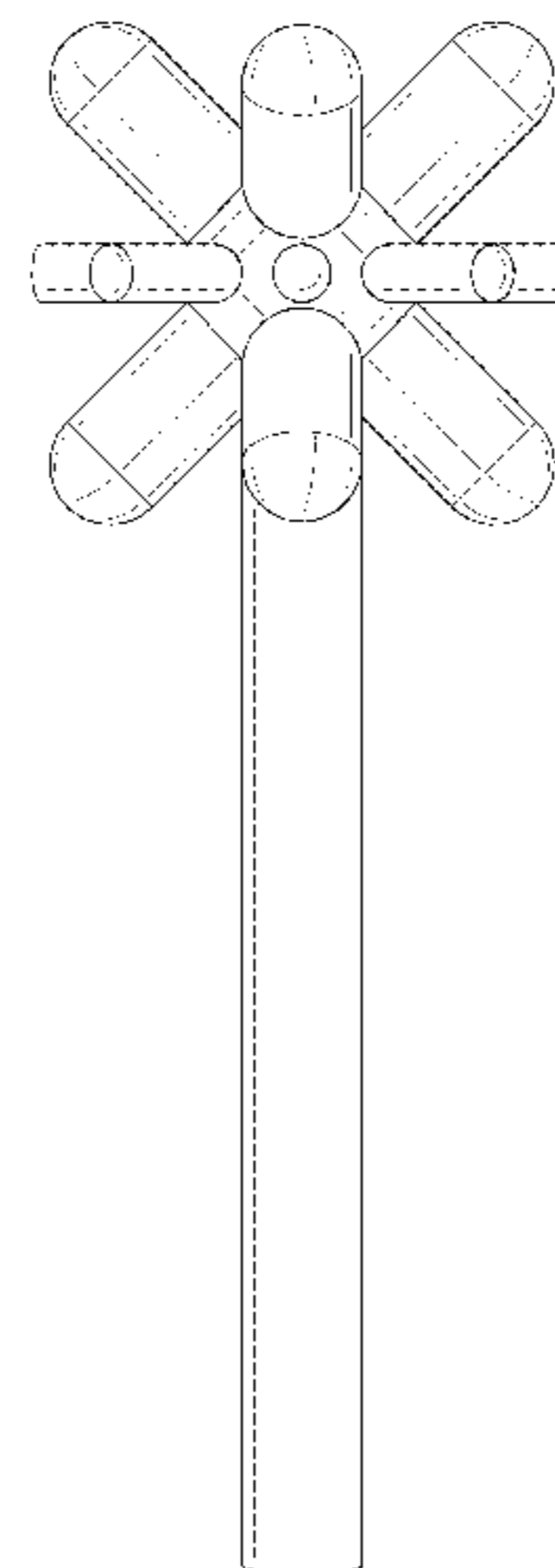
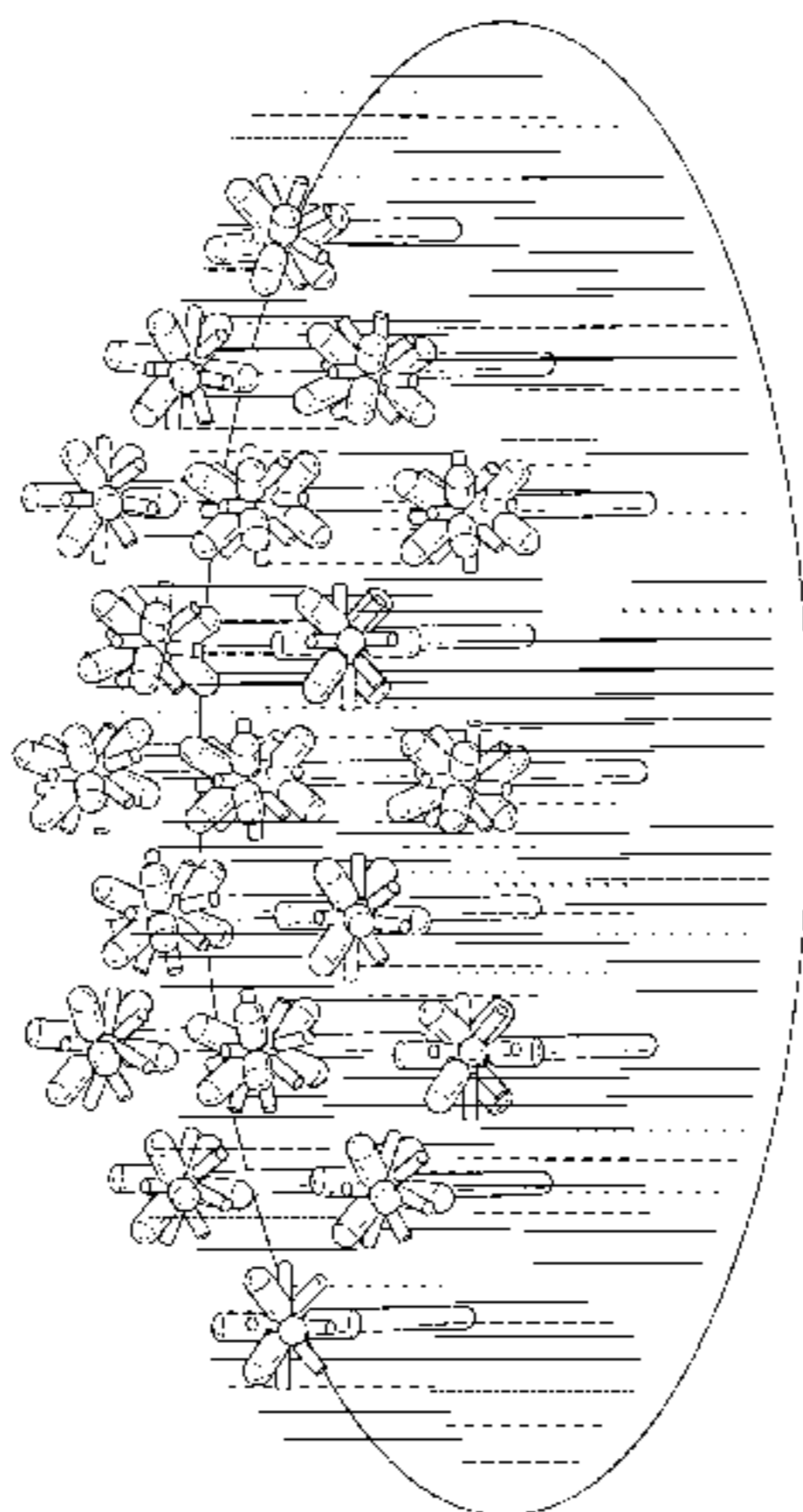
FIG. 5 is a partial enlarged view of the hair brush bristle configuration in the area bounded by the broken-line box in FIG. 3;

FIG. 6 is a partial enlarged view of the hair brush bristle configuration in the area bounded by the broken-line box in FIG. 1; and,

FIG. 7 is a front view of the hair brush bristle configuration as used on a handle.

The features of the hair brush shown in broken lines in FIG. 7 form no part of the claimed design.

**1 Claim, 7 Drawing Sheets**



(56)

**References Cited**

U.S. PATENT DOCUMENTS

8,584,301 B2 \* 11/2013 Maissami ..... A61C 3/005  
15/167.1  
8,595,885 B1 \* 12/2013 Weinstein ..... A46B 9/023  
119/612  
D707,835 S \* 6/2014 Domoto ..... D24/200  
D707,899 S \* 6/2014 McPhaul ..... D28/63  
D746,062 S \* 12/2015 Pan ..... D4/127  
9,357,837 B2 \* 6/2016 Henderson ..... A46D 3/00  
9,474,359 B2 \* 10/2016 Lopez ..... A46B 9/026  
D777,939 S \* 1/2017 Black ..... D21/662  
D796,210 S \* 9/2017 Hu ..... D28/25  
2009/0188064 A1 \* 7/2009 Anderson ..... A46B 5/0012  
15/207.2

\* cited by examiner

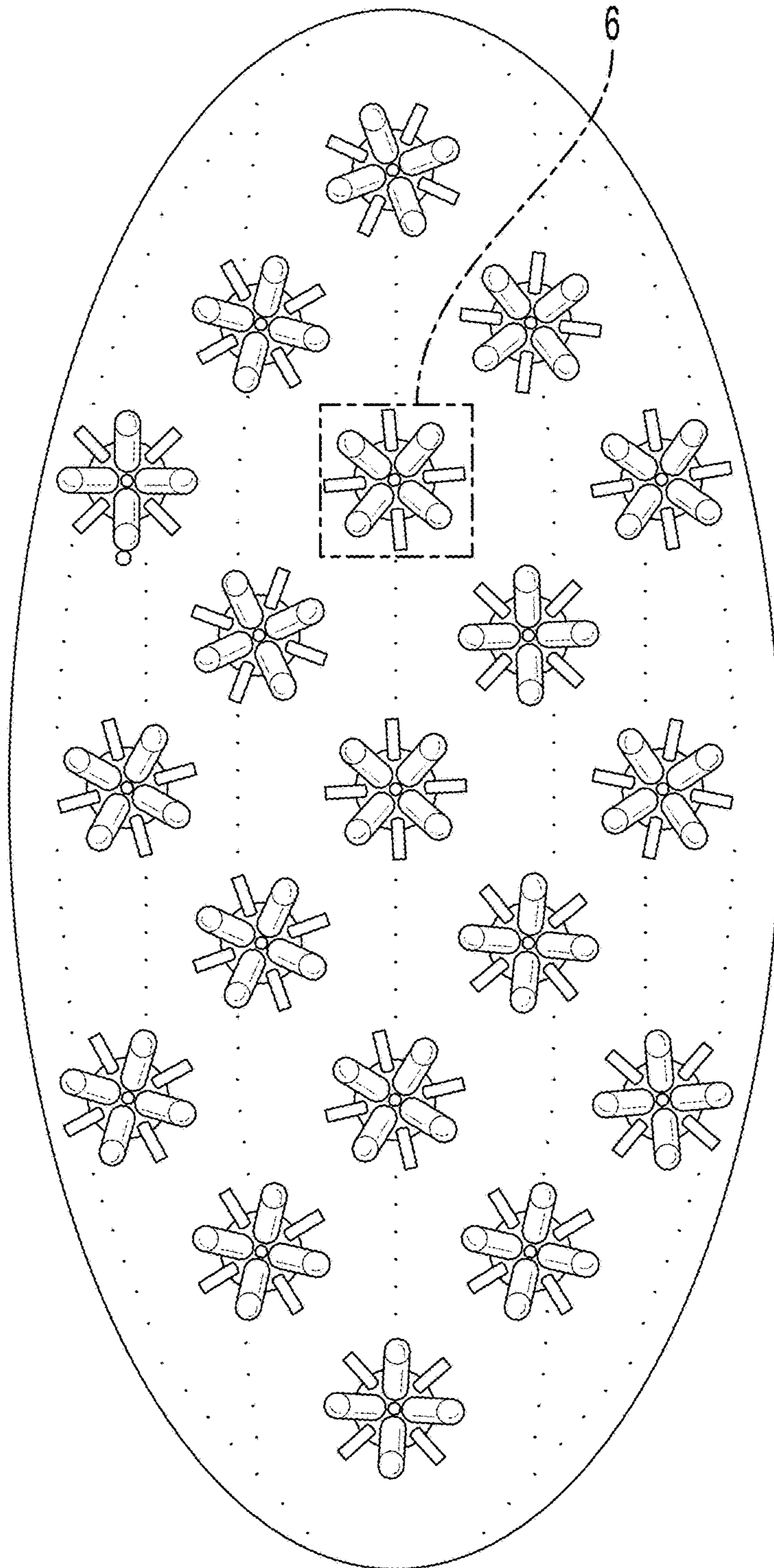


FIG. 1



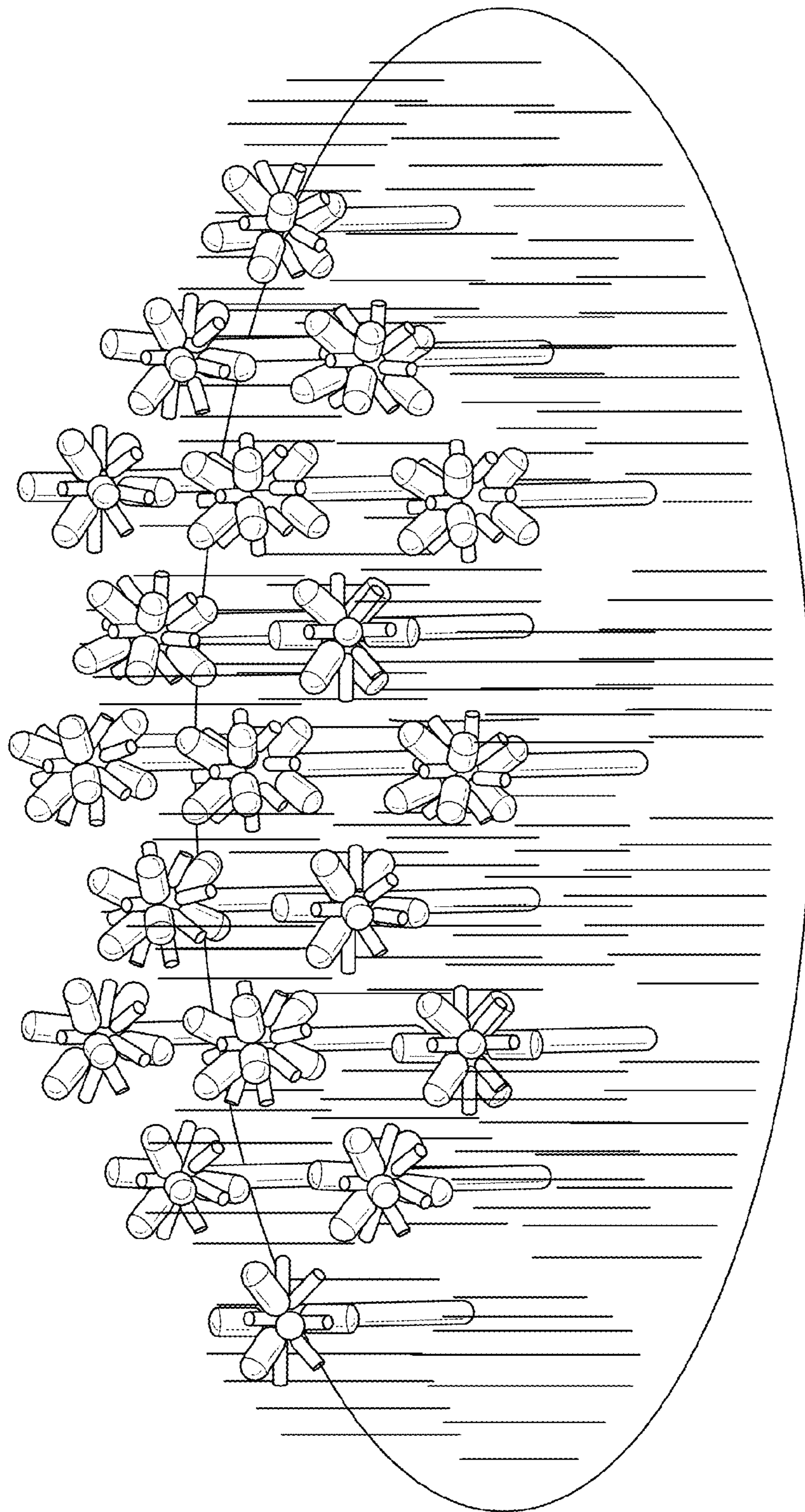


FIG. 2

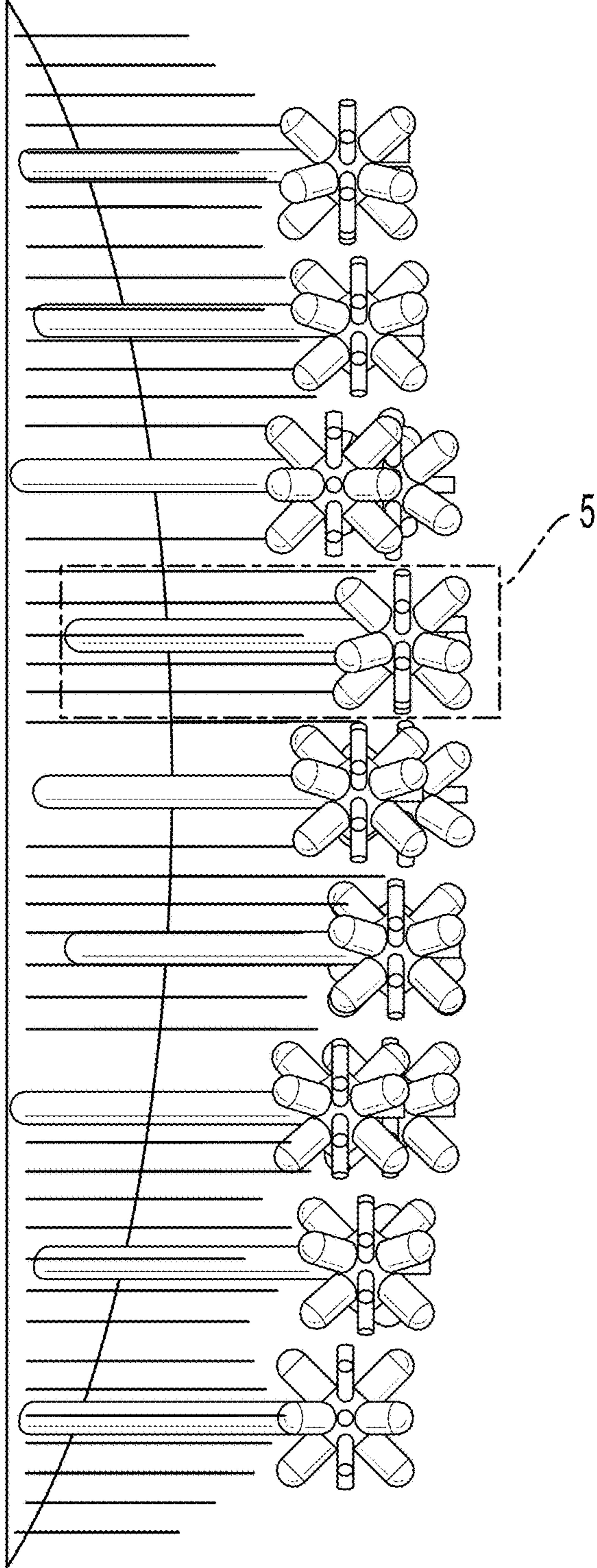


FIG. 3

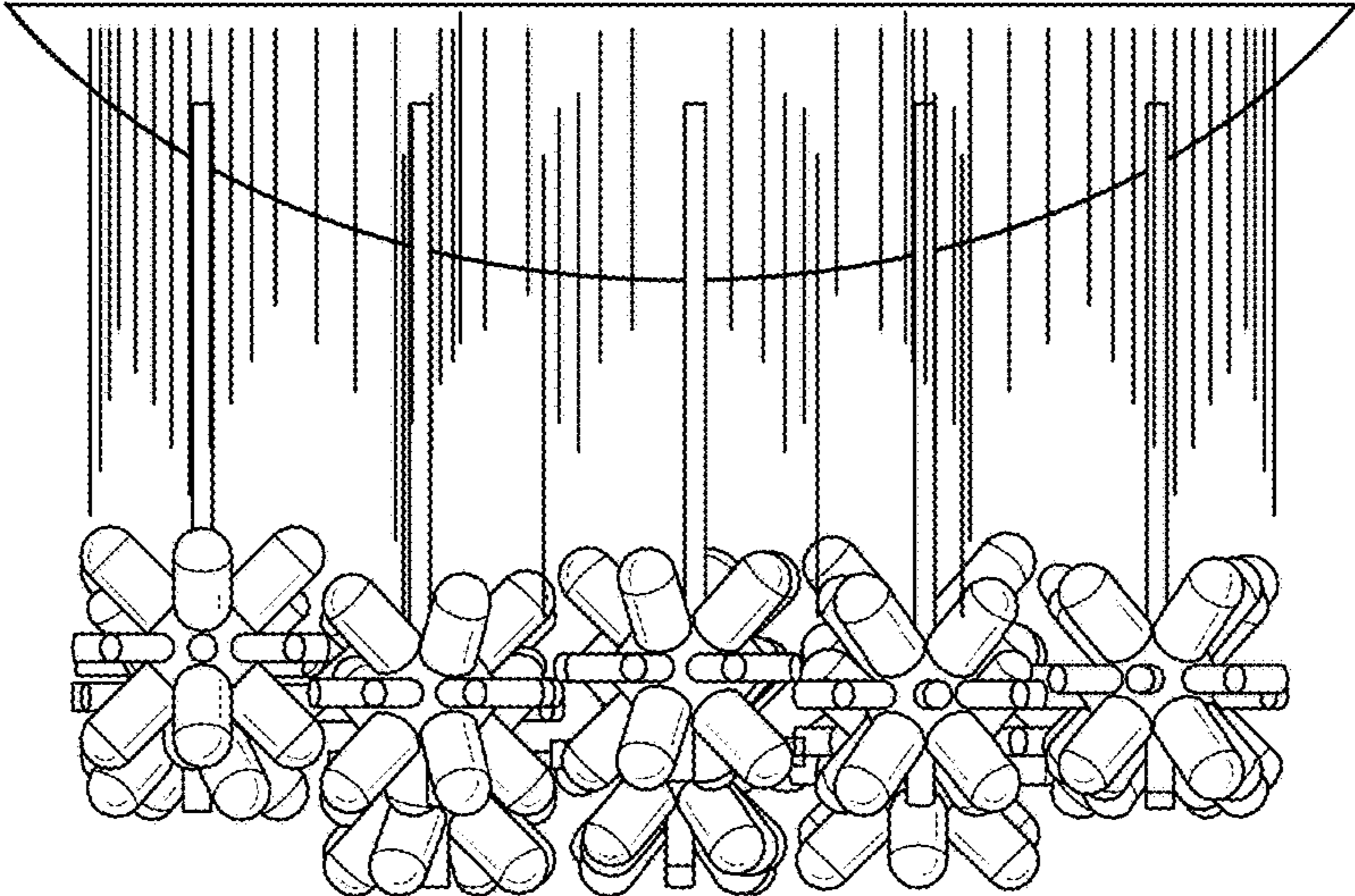


FIG. 4

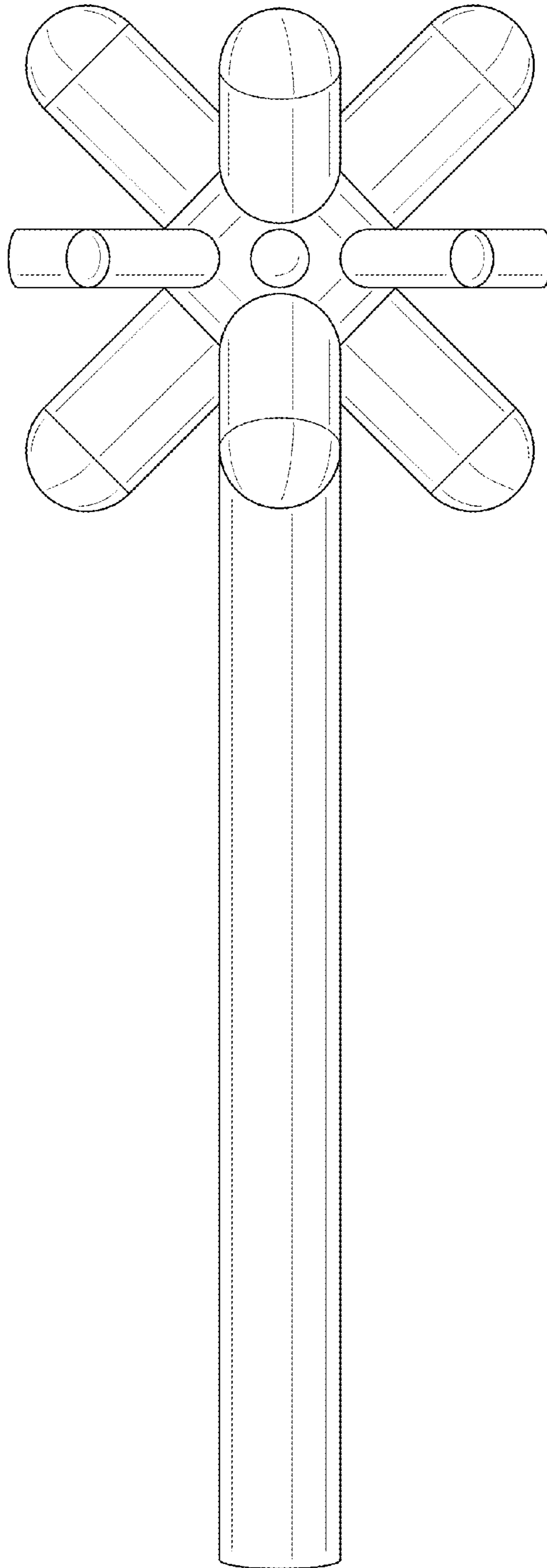


FIG. 5

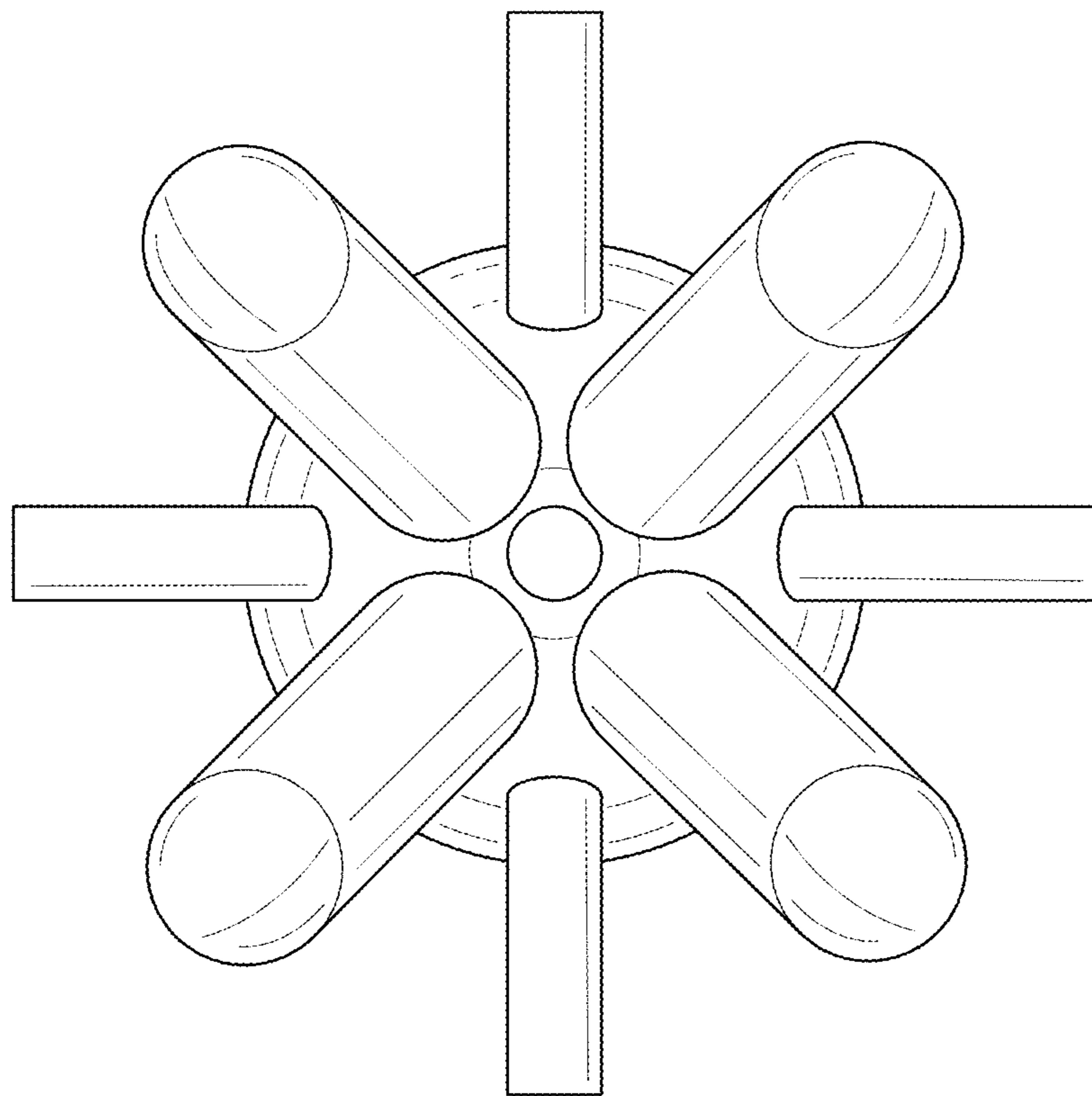


FIG. 6



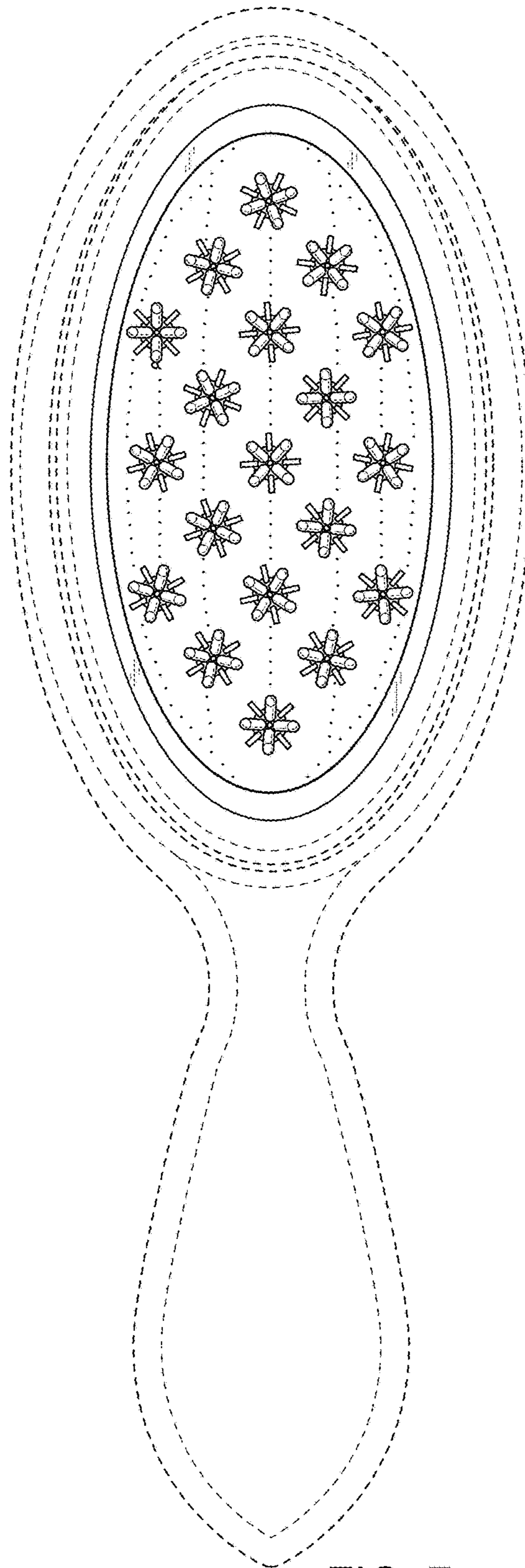


FIG. 7